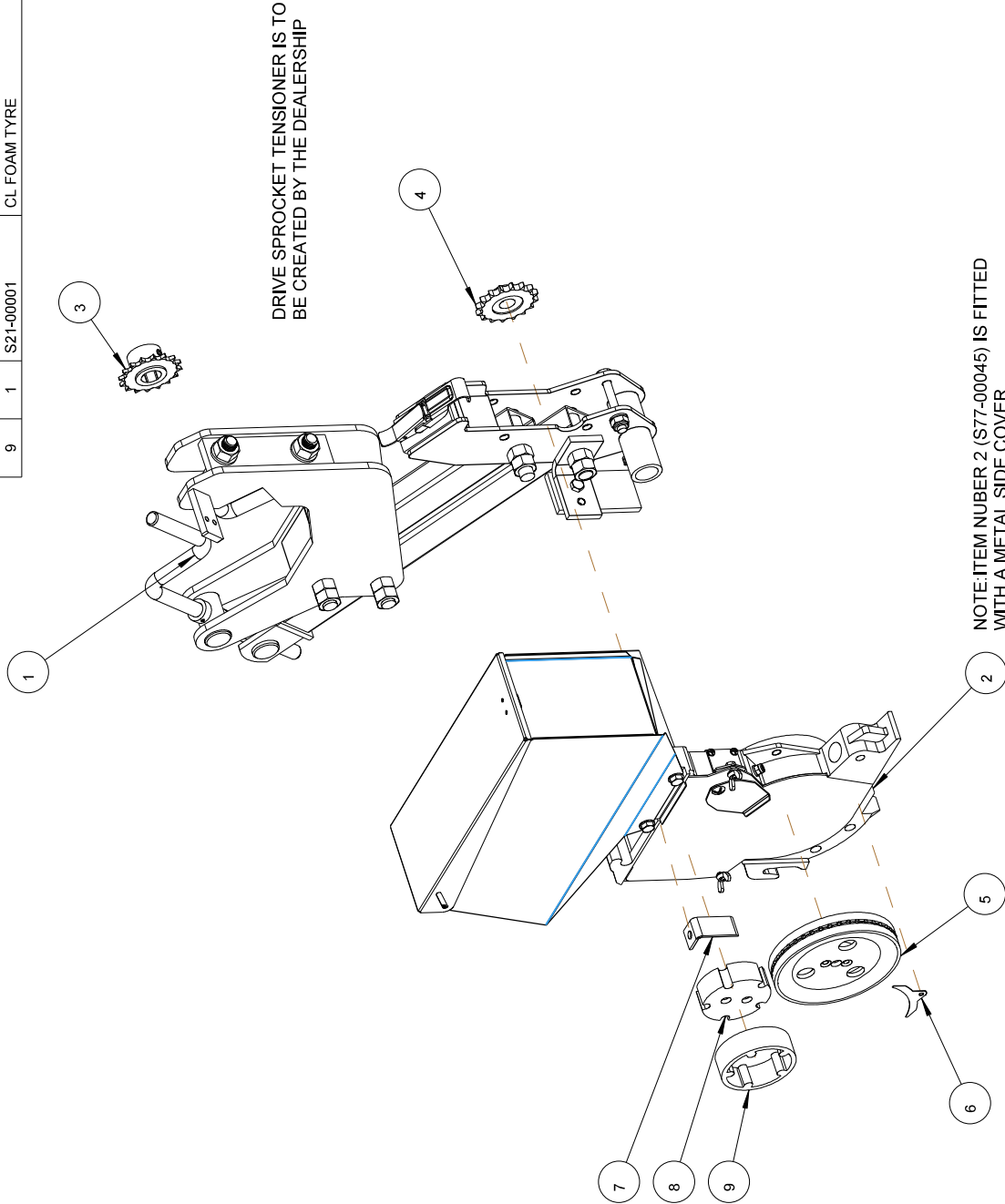


NUM	QTY	PART NUMBER	DESCRIPTION
1	1	S77-00043	SEVEN HANDCRANK CHASSIS
2	1	S77-00045	SEVEN METER UNIT HC
3	1	SHW7702895	16T SLIDING SPROCKET
4	1	S74-00041	16T DRIVE SPROCKET LC
5	1	S35-00005	CL42 CELL WHEEL
6	1	SHW3220036	EJECTOR BLADE
7	1	SHW6902825	DEFLECTOR BLADE
8	1	S69-00068	DEFLECTOR WHEEL HUB FT
9	1	S21-00001	CL FOAM TYRE



DRIVE SPROCKET TENSIONER IS TO BE CREATED BY THE DEALERSHIP

NOTE: ITEM NUMBER 2 (S77-00045) IS FITTED WITH A METAL SIDE COVER

UNITS IN MILLIMETRES

REMOVE ALL SHARP EDGES

MACHINING AND SURFACE TEXTURE SYMBOLS ARE TO BS308 WITH VALUES IN MICROMETRES RA TO BS134. ALL WELDING SYMBOLS ARE TO BS499. TOLERANCE SYMBOLS AND LIMITS TO BS EN 20286. ANGULAR TOLERANCE ± 0.5° SCREW THREADS TO BE ISO METRIC COARSE (BS3643)

PERMISSIBLE VARIATIONS OF UNTOLERANCED DIMENSIONS (VALUE IN ± MM)

	NOMINAL DIMENSION RANGE			
	0.5	3	6	30
FINE	0.05	0.05	0.1	0.15
MEDIUM	0.1	0.2	0.3	0.5
COARSE	0.2	0.3	0.5	0.8
VERY COARSE	—	0.5	1	1.5

REVISION DESCRIPTION

ISS	DATE	AMENDMENT
A	25-Apr-18	FIRST ISSUE

SCALE	1:60
FINISHED WEIGHT	39240.987 (KG)
FINISH	
MATERIAL	
MATERIAL STANDARD	
TOLERANCE CLASS	MEDIUM
DRAWN	CF
CHECKED	
DATE	25-Apr-18



DESCRIPTION	SOLEX SLED CELL MU
PART No	