



PARTS MANUAL

Part N° SHW6417172 (ISSUE 1)



STAR PLUS

Stanhay Webb
BCS House
Pinfold Road
Bourne
PE10 9HT
UK

Tel: (+44) 8451 801480

Email info@stanhay.com

Web www.stanhay.com



CONTENTS

PAGE

1	SEED DISCS
7	METERING UNIT DRIVE SIDE
9	METERING UNIT HOPPER SIDE
12	HOPPER EXTENSION
13	STAR PLUS CHASSIS KIT
15	ROW UNIT HEADSTOCK
17	LINK ARM ASSEMBLIES
19	METERING UNIT ADJUSTER
21	CHASSIS AND EXTENSION KIT
23	DRIVE KIT AND SPROCKET SET
25	CLOD DEFLECTOR
26	ADJUSTABLE LANDWHEEL
33	PRESS WHEELS
39	DRAG COVERERS
40	ARM COVERERS
41	WHEEL OPTIONS
45	COULTER OPTIONS
55	FANS
64	FAN GAUGES
65	TOOLBARS AND SHAFTS
66	PARKING STAND
67	HEADSTOCKS

SEED DISC LIST

SHW6903765	SEED DISC - 0.5 X 0 X 144 X 144
SHW6902868	SEED DISC - 0.5 X 12 GROUPS OF 2
SHW6902970	SEED DISC - 0.5 X 12 GROUPS OF 3
SHW6902533	SEED DISC - 0.5 X 12 X 1 LINE
SHW6903764	SEED DISC - 0.5 X 144 X 0 X 144
SHW6903095	SEED DISC - 0.5 X 144 X 2 LINE
SHW6902698	SEED DISC - 0.5 X 144 X 3 LINE
SHW6902559	SEED DISC - 0.5 X 192 X 2 LINE
SHW6902702	SEED DISC - 0.5 X 192 X 3 LINE
SHW6902865	SEED DISC - 0.5 X 24 GROUPS OF 2
SHW6903150	SEED DISC - 0.5 X 24 GROUPS OF 2
SHW6902489	SEED DISC - 0.5 X 24 X 1 LINE
SHW6902488	SEED DISC - 0.5 X 48 X 1 LINE
SHW6902557	SEED DISC - 0.5 X 48 X 2 LINE
SHW6902400	SEED DISC - 0.5 X 48 X 3 LINE
SHW6903674	SEED DISC - 0.5 X 72 X 2 LINE
SHW6902532	SEED DISC - 0.5 X 96 X 1 LINE
SHW6902558	SEED DISC - 0.5 X 96 X 2 LINE
SHW6902690	SEED DISC - 0.5 X 96 X 3 LINE
SHW6904507	SEED DISC - 0.5 X 96 X 4 LINE
SHW6902568	SEED DISC - 0.5 X 96 X 96 X 72
SHW6904562	SEED DISC - 0.6 X 0 X 144 X 144 X 144 SPEC
SHW6903435	SEED DISC - 0.6 X 0/144/144 SPEC
SHW6903092	SEED DISC - 0.6 X 120 X 2 LINE
SHW6904406	SEED DISC - 0.6 X 120 X 3 LINE
SHW6904564	SEED DISC - 0.6 X 120 X 4 LINE
SHW6903093	SEED DISC - 0.6 X 120/96/0 SPEC
SHW6904563	SEED DISC - 0.6 X 144 X 0 X 144 X 144 SP
SHW6904505	SEED DISC - 0.6 X 144 X 108 X 108 X 144
SHW6902668	SEED DISC - 0.6 X 144 X 2 LINE
SHW6902667	SEED DISC - 0.6 X 144 X 3 LINE
SHW6904276	SEED DISC - 0.6 X 144 X 4 LINE
SHW6903071	SEED DISC - 0.6 X 144 X I/S LINE
SHW6903247	SEED DISC - 0.6 X 144 X1 LINE
SHW6903436	SEED DISC - 0.6 X 144/0/144 SPEC
SHW6902669	SEED DISC - 0.6 X 144/144/108 SP
SHW6903269	SEED DISC - 0.6 X 192 X 1 LINE
SHW6903099	SEED DISC - 0.6 X 192 X 3 LINE
SHW6903792	SEED DISC - 0.6 X 24 X 1 LINE
SHW6904524	SEED DISC - 0.6 X 24 X 2 LINE
SHW6902648	SEED DISC - 0.6 X 24 X 3 LINE
SHW6902624	SEED DISC - 0.6 X 48 X 1 LINE
SHW6902691	SEED DISC - 0.6 X 48 X 2 LINE
SHW6904577	SEED DISC - 0.6 X 48 X 2 LINE

SEED DISC LIST

SHW6902645	SEED DISC - 0.6 X 48 X 3 LINE
SHW6902639	SEED DISC - 0.6 X 48/48/36 SPEC
SHW6902967	SEED DISC - 0.6 X 60 X 1 LINE
SHW6903874	SEED DISC - 0.6 X 72 4 LINE
SHW6902776	SEED DISC - 0.6 X 72 X 1 LINE
SHW6902777	SEED DISC - 0.6 X 72 X 2 LINE
SHW6902778	SEED DISC - 0.6 X 72 X 3 LINE
SHW6903272	SEED DISC - 0.6 X 72/72/48 SPEC
SHW6903160	SEED DISC - 0.6 X 72/96/72 SPEC
SHW6903714	SEED DISC - 0.6 X 9 GROUPS 3 INNER
SHW6904504	SEED DISC - 0.6 X 96 INNER LINE
SHW6902566	SEED DISC - 0.6 X 96 X 1 LINE
SHW6902637	SEED DISC - 0.6 X 96 X 2 LINE
SHW6902637SP	SEED DISC - 0.6 X 96 X 2 LINE
SHW6902563	SEED DISC - 0.6 X 96 X 3 LINE
SHW6903742	SEED DISC - 0.6 X 96 X 4 LINE
SHW6903094	SEED DISC - 0.6 X 96/120/0 SPEC
SHW6903161	SEED DISC - 0.6 X 96/72/72 SPEC
SHW6902630	SEED DISC - 0.6 X 96/96/72 SPEC
SHW6903149	SEED DISC - 0.6 X 96/96/82 SPEC
SHW6902531	SEED DISC - 0.7 X 12 GROUPS OF 3
SHW6902979	SEED DISC - 0.7 X 12 GROUPS OF 4
SHW6903167	SEED DISC - 0.7 X 12 X 1 LINE
SHW6903147	SEED DISC - 0.7 X 120 X 2 LINE
SHW6903122	SEED DISC - 0.7 X 120 X 3 LINE
SHW6903111	SEED DISC - 0.7 X 24 GROUPS OF 3
SHW6903793	SEED DISC - 0.7 X 24 X 1 LINE
SHW6903788	SEED DISC - 0.7 X 48 X 1 LINE
SHW6903146	SEED DISC - 0.7 X 96 X 2 LINE
SHW6903767	SEED DISC - 0.8 X 0/144/144
SHW6903779	SEED DISC - 0.8 X 0/24/0
SHW6903361	SEED DISC - 0.8 X 104 X 1 LINE
SHW6903362	SEED DISC - 0.8 X 108 X 1 LINE
SHW6904411	SEED DISC - 0.8 X 108 X 2 LINE
SHW6903975	SEED DISC - 0.8 X 108/108/96 SP
SHW6902953	SEED DISC - 0.8 X 12 GROUPS 4 X 2 LINE
SHW6904034	SEED DISC - 0.8 X 12 GROUPS OF 2 (T1)
SHW6903359	SEED DISC - 0.8 X 12 GROUPS OF 2 (T2)
SHW6903417	SEED DISC - 0.8 X 12 GROUPS OF 2 INSIDE LINE
SHW6902966	SEED DISC - 0.8 X 12 GROUPS OF 3
SHW6902750	SEED DISC - 0.8 X 12 X 1 LINE
SHW6903753	SEED DISC - 0.8 X 12 X INSIDE LINE
SHW6904288	SEED DISC - 0.8 X 120 X 1 LINE
SHW6903156	SEED DISC - 0.8 X 120 X 2 LINE

SEED DISC LIST

SHW6903156S	SEED DISC - 0.8 X 120 X 2 LINE SPRING STEEL
SHW6903755	SEED DISC - 0.8 X 120 X 3 LINE
SHW6904566	SEED DISC - 0.8 X 130/130/117 SP
SHW6904568	SEED DISC - 0.8 X 130/143/117 SP
SHW6904567	SEED DISC - 0.8 X 143/130/117 SPEC
SHW6904492	SEED DISC - 0.8 X 144 MID LINE
SHW6902958	SEED DISC - 0.8 X 144 X 1 LINE
SHW6903007	SEED DISC - 0.8 X 144 X 2 LINE
SHW6903164	SEED DISC - 0.8 X 144 X 3 LINE
SHW6903766	SEED DISC - 0.8 X 144/0/144
SHW6903243	SEED DISC - 0.8 X 144/144/108 SP
SHW6904275	SEED DISC - 0.8 X 19 X 1 LINE
SHW6904503	SEED DISC - 0.8 X 192 X 3 LINE
SHW6903794	SEED DISC - 0.8 X 20 X 1 LINE
SHW6902643	SEED DISC - 0.8 X 24 X 1 LINE
SHW6902643SP	SEED DISC - 0.8 X 24 X 1 LINE
SHW6902812	SEED DISC - 0.8 X 24 X 2 LINE
SHW6902826	SEED DISC - 0.8 X 24 X 2 LINE STAGGERED
SHW6903358	SEED DISC - 0.8 X 24 X 1/S LINE
SHW6900105	SEED DISC - 0.8 X 24/24/24
SHW6903897	SEED DISC - 0.8 X 32 X 1 LINE
SHW6902565	SEED DISC - 0.8 X 48 X 1 LINE
SHW6902646	SEED DISC - 0.8 X 48 X 2 LINE
SHW6902562	SEED DISC - 0.8 X 48 X 3 LINE
SHW6903070	SEED DISC - 0.8 X 48 X INSIDE LINE
SHW6904578	SEED DISC - 0.8 X 72 1 LINE - INNER
SHW6902828	SEED DISC - 0.8 X 72 X 1 LINE
SHW6902828/MS	SEED DISC - 0.8 X 72 X 1 LINE MILD STEEL
SHW6902930	SEED DISC - 0.8 X 72 X 2 LINE
SHW6904421	SEED DISC - 0.8 X 72 X 2 LINE
SHW6903868	SEED DISC - 0.8 X 72 X 3 LINE
SHW6903875	SEED DISC - 0.8 X 72 X 4 LINE
SHW6903206	SEED DISC - 0.8 X 72/72/54 SPEC
SHW6903987	SEED DISC - 0.8 X 72/96/0 SPEC
SHW6903360	SEED DISC - 0.8 X 88 X 1 LINE
SHW6904511	SEED DISC - 0.8 X 96 INSIDE LINE
SHW6902567	SEED DISC - 0.8 X 96 X 1 LINE
SHW6902629	SEED DISC - 0.8 X 96 X 2 LINE
SHW6902629SP	SEED DISC - 0.8 X 96 X 2 LINE
SHW6903724	SEED DISC - 0.8 X 96 X 2 LINE STAGGERED
SHW6902647	SEED DISC - 0.8 X 96 X 3 LINE
SHW6904487	SEED DISC - 0.8 X 96 X 4 LINE
SHW6903986	SEED DISC - 0.8 X 96/72/0 SPEC
SHW6902632	SEED DISC - 0.8 X 96/96/72 SPEC


SEED DISC LIST

SHW6902705	SEED DISC - 1 X 12 GROUPS OF 2 (T1)
SHW6904593	SEED DISC - 1 X 144 X 3 LINE
SHW6903976	SEED DISC - 1 X 144/144/108 SPEC
SHW6902957	SEED DISC - 1 X 24 X 1 LINE
SHW6904414	SEED DISC - 1 X 24 X INSIDE LINE
SHW6902625	SEED DISC - 1 X 48 X 1 LINE
SHW6903771	SEED DISC - 1 X 48 X INSIDE LINE
SHW6902829	SEED DISC - 1 X 72 X 1 LINE
SHW6904559	SEED DISC - 1 X 72 X 2 LINE
SHW6903876	SEED DISC - 1 X 72 X 4 LINE
SHW6902490	SEED DISC - 1 X 8 X 1 LINE
SHW6902670	SEED DISC - 1 X 96 X 1 LINE
SHW6902623	SEED DISC - 1 X 96 X 2 LINE
SHW6902944	SEED DISC - 1 X 96 X 3 LINE
SHW6903313	SEED DISC - 1 X 96/96/48 SPEC
SHW6903822	SEED DISC - 1 X 96/96/60 SPEC
SHW6902977	SEED DISC - 1 X 96/96/72 SPEC
SHW6902914	SEED DISC - 1.2 X 12 GROUPS OF 3
SHW6902863	SEED DISC - 1.2 X 12 X 1 LINE
SHW6903790	SEED DISC - 1.2 X 120 X 3 LINE
SHW6902976	SEED DISC - 1.2 X 144 X 1 LINE
SHW6904069	SEED DISC - 1.2 X 144 X 2 LINE
SHW6902692	SEED DISC - 1.2 X 24 X 1 LINE
SHW6904284	SEED DISC - 1.2 X 24 X 2 LINE
SHW6902961	SEED DISC - 1.2 X 24 X INSIDE LINE
SHW6902626	SEED DISC - 1.2 X 48 X 1 LINE
SHW6902960	SEED DISC - 1.2 X 48 X 2 LINE
SHW6903148	SEED DISC - 1.2 X 48 X INSIDE LINE
SHW6903241	SEED DISC - 1.2 X 72 X 1 LINE
SHW6904070	SEED DISC - 1.2 X 72 X 2 LINE
SHW6903151	SEED DISC - 1.2 X 72/96/72 SPEC
SHW6902534	SEED DISC - 1.2 X 96 X 1 LINE
SHW6902640	SEED DISC - 1.2 X 96 X 2 LINE
SHW6902564	SEED DISC - 1.2 X 96 X 3 LINE
SHW6903252	SEED DISC - 1.2 X 96 X I/S LINE
SHW6903152	SEED DISC - 1.2 X 96/72/72 SPEC
SHW6902642	SEED DISC - 1.2 X 96/96/72 SPEC
SHW6903747	SEED DISC - 1.4 X 0/0/48 SPEC
SHW6903748	SEED DISC - 1.4 X 0/48/0 SPEC
SHW6903769	SEED DISC - 1.4 X 0/96/96
SHW6904071	SEED DISC - 1.4 X 120 X 2 LINE
SHW6903481	SEED DISC - 1.4 X 144 X 1 LINE
SHW6902980	SEED DISC - 1.4 X 24 X 1 LINE
SHW6904445	SEED DISC - 1.4 X 24 X 1 LINE

SEED DISC LIST

SHW6903991	SEED DISC - 1.4 X 24 X 2 LINE STAGGERED
SHW6904178	SEED DISC - 1.4 X 24 X 3 LINE
SHW6902963	SEED DISC - 1.4 X 48 X 1 LINE
SHW6902809	SEED DISC - 1.4 X 48 X 2 LINE
SHW6902649	SEED DISC - 1.4 X 48 X 3 LINE
SHW6904292	SEED DISC - 1.4 X 48/48/36 SPEC
SHW6903110	SEED DISC - 1.4 X 72 X 1 LINE
SHW6904579	SEED DISC - 1.4 X 72 X 1 LINE - INNER
SHW6902952	SEED DISC - 1.4 X 72 X 2 LINE
SHW6903109	SEED DISC - 1.4 X 72 X 3 LINE
SHW6902975	SEED DISC - 1.4 X 96 X 1 LINE
SHW6903139	SEED DISC - 1.4 X 96 X 2 LINE
SHW6903125	SEED DISC - 1.4 X 96 X 3 LINE
SHW6903768	SEED DISC - 1.4 X 96/0/96
SHW6903140	SEED DISC - 1.4 X 96/96/72 SPEC
SHW6904522	SEED DISC - 1.5 X 96/72/96 SPEC
SHW6904525	SEED DISC - 1.5 X 96/96/72 SPEC
SHW6903995	SEED DISC - 1.6 X 0/72/90 SPEC
SHW6904405	SEED DISC - 1.6 X 108 X 3 LINE
SHW6902981	SEED DISC - 1.6 X 12 GROUPS OF 2
SHW6902864	SEED DISC - 1.6 X 12 X 1 LINE
SHW6903901	SEED DISC - 1.6 X 120 X 2 LINE
SHW6904404	SEED DISC - 1.6 X 120 X 3 LINE
SHW6902712	SEED DISC - 1.6 X 24 X 1 LINE
SHW6903210	SEED DISC - 1.6 X 48 1 LINE
SHW6902821	SEED DISC - 1.6 X 48 X 2 LINE
SHW6902821SP	SEED DISC - 1.6 X 48 X 2 LINE
SHW6903273	SEED DISC - 1.6 X 48 X 3 LINE
SHW6904510	SEED DISC - 1.6 X 48 X INSIDE LINE
SHW6904202	SEED DISC - 1.6 X 48/56/48 SPEC
SHW6904201	SEED DISC - 1.6 X 56/48/48 SPEC
SHW6903209	SEED DISC - 1.6 X 72 X 1 LINE
SHW6903157	SEED DISC - 1.6 X 72 X 2 LINE
SHW6903145	SEED DISC - 1.6 X 72 X 3 LINE
SHW6904304	SEED DISC - 1.6 X 72/80/0
SHW6903994	SEED DISC - 1.6 X 72/90/72 SPEC
SHW6904303	SEED DISC - 1.6 X 80/72/0
SHW6903996	SEED DISC - 1.6 X 90/0/72 SPEC
SHW6903993	SEED DISC - 1.6 X 90/72/72 SPEC
SHW6903144	SEED DISC - 1.6 X 96 X 1 LINE
SHW6903211	SEED DISC - 1.6 X 96 X 2 LINE
SHW6903820	SEED DISC - 1.6 X 96 X 3 LINE
SHW6904289	SEED DISC - 1.6 X 96 X INSIDE LINE
SHW6903821	SEED DISC - 1.6 X 96/96/72 SPEC

SEED DISC LIST

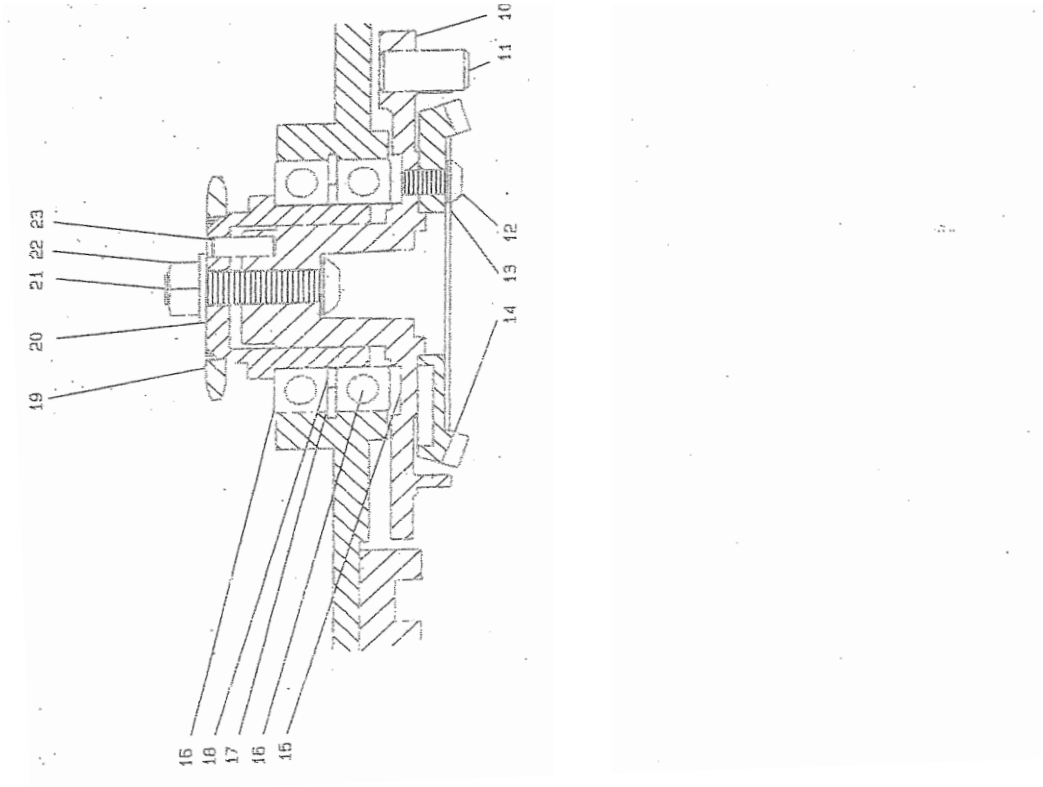
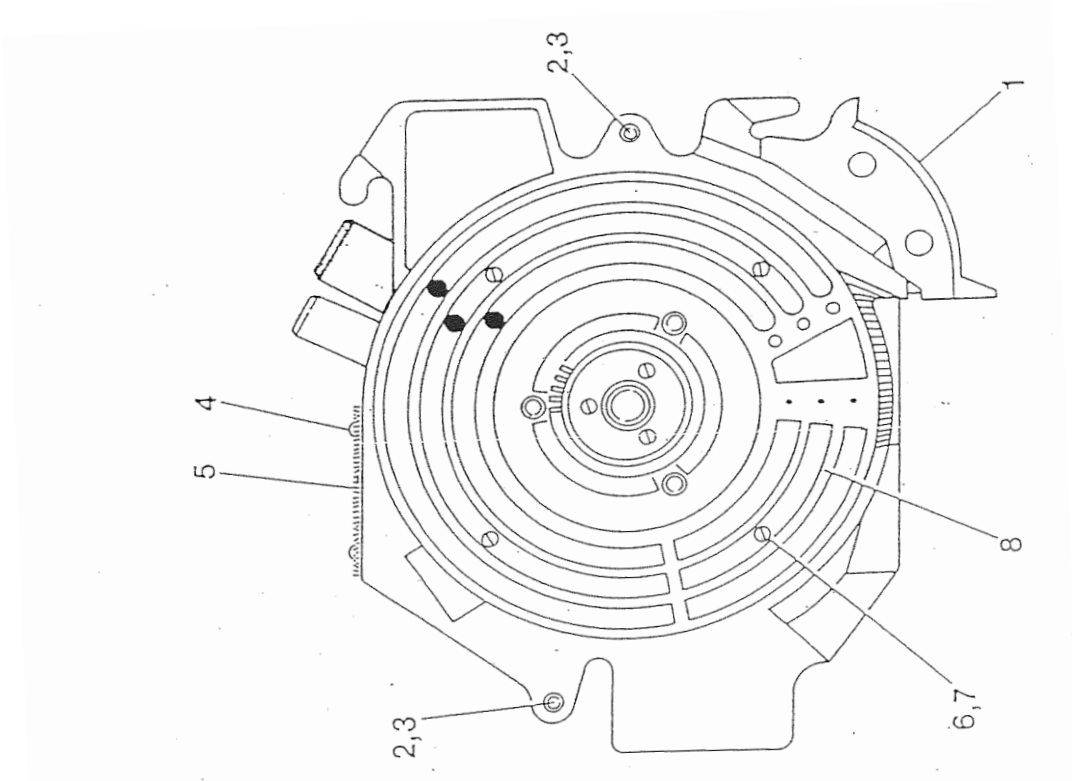
SHW6904394	SEED DISC - 1.8 X 60 X 2 LINE
SHW6903690	SEED DISC - 1.8 X 72 X 1 LINE
SHW6903057	SEED DISC - 2 X 12 GROUPS OF 2
SHW6904096	SEED DISC - 2 X 12 GROUPS OF 2
SHW6903255	SEED DISC - 2 X 12 GROUPS OF 3
SHW6903438	SEED DISC - 2 X 12 GROUPS OF 3
SHW6903091	SEED DISC - 2 X 12 X 1 LINE
SHW6902582	SEED DISC - 2 X 12 X INSIDE LINE
SHW6903212	SEED DISC - 2 X 24 X 1 LINE
SHW6903112	SEED DISC - 2 X 24 X 2 LINE
SHW6902810	SEED DISC - 2 X 48 INNER AND MIDDLE
SHW6902811	SEED DISC - 2 X 48 INNER AND OUTER
SHW6902671	SEED DISC - 2 X 48 X 1 LINE
SHW6902535	SEED DISC - 2 X 48 X 2 LINE
SHW6900004	SEED DISC - 2 X 6 X 1 LINE
SHW6904560	SEED DISC - 2 X 60 X 2 LINE
SHW6902775	SEED DISC - 2 X 72 X 1 LINE 
SHW6903726	SEED DISC - 2 X 72 X 2 LINE
SHW6904025	SEED DISC - 2 X 72 X 3 LINE
SHW6902651	SEED DISC - 2 X 8 X 1 LINE
SHW6903332	SEED DISC - 2.20 X 39 X 2 LINE STAGGERED
SHW6902956	SEED DISC - 2.20 X 48 X 1 LINE
SHW6902693	SEED DISC - 2.20 X 48 X 2 LINE
SHW6903615	SEED DISC - 2.20 X 72 X 1 LINE
SHW6903572	SEED DISC - 2.20 X 72 X 2 LINE
SHW6903863	SEED DISC - 2.5 X 12 GROUPS OF 3
SHW6902684	SEED DISC - 2.5 X 24 X 1 LINE
SHW6902955	SEED DISC - 2.5 X 28/48/20 SPEC
SHW6902954	SEED DISC - 2.5 X 48/28/20 SPEC
SHW6903825	SEED DISC - 2.5 X 72 X 1 LINE
SHW6903938	SEED DISC - 48 HOLE CLUSTER SPIN
SHW6902706	SEED DISC - NO HOLES

ITEM NUMBER	PART NUMBER	DESCRIPTION
1	SHW7703248	Body - Drive Side
2	SHW2309053	Hexagon Screw
3	SHW6902514	Unit Conical Nut
4	SHW2357002	Taptite Pozidriv Pan Hd Screw
5	SHW7702898	Singulator Brush - Drive Side
6	SHW2332105	Slotted Cheese Head Screw
7	SHW2309090	Nyloc Hexagon Nut
8	SHW2810205	Air Gallery Block-Grey 3-Line
	SHW6904497	Air Gallery Block-Grey 4-Line
	SHW2810241	Air Gallery Block-White 3-Line
	SHW6904501	Air Gallery Block-White 4-Line

BODY/TURNTABLE

ITEM NUMBER	PART NUMBER	DESCRIPTION
10	SHW7702829	Turntable c/w items 11,23
11	SHW6409339	Dowel
12	SHW2357022	Taptite Pozidriv Pan Hd Screw
13	SHW2311132	Flat Washer - Form C
14	SHW1502001	45T Crownwheel
15	SHW6409402	Support Washer
16	SHW1909029	Ball Bearing
17	SHW2217215	Circlip
18	SHW6409401	Support Shim (2 per unit)
19	SHW7404487	12T Unit Sprocket
	SHW7404403	15T Unit Sprocket
20	SHW6902757	Unit Tab Washer
21	SHW2377084	Socket Button Head Screw
22	SHW2303007	Hexagon Nut
23	SHW2215253	Tension Pin

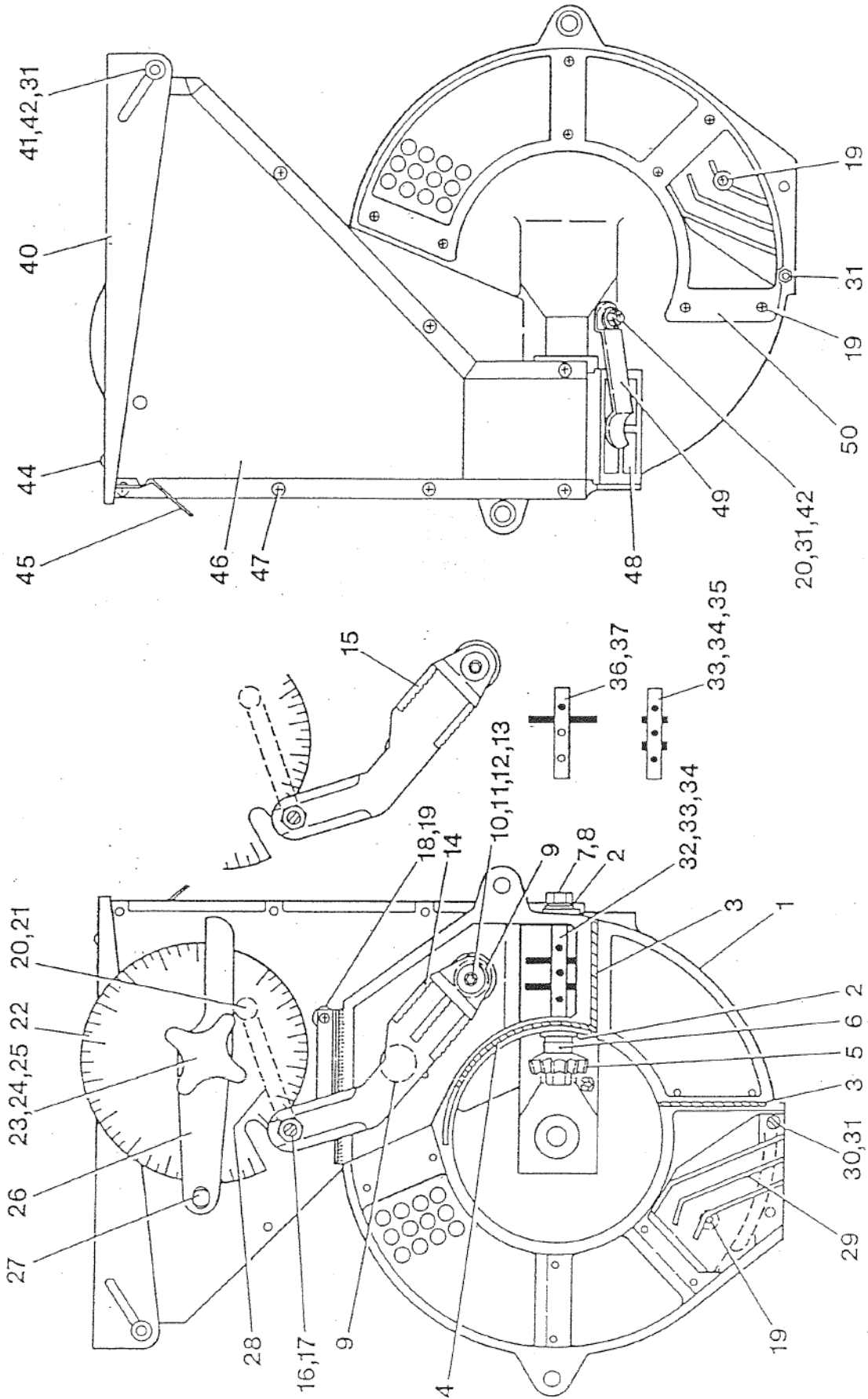
METERING UNIT DRIVE SIDE



ITEM NUMBER	PART NUMBER	DESCRIPTION
1	SHW7702828	Body - Hopper Side c/w items 2,23,27
2	SHW2002012	Oilite Bearing
3	SHW6902687	Felt Seal
4	SHW6902687	Felt Seal - Inner Ring
5	SHW7702880	15T Pinion/Spindle c/w item 6
6	SHW2214280	Tension Pin
7	SHW2311089	Flat Washer - Form A
8	SHW6902665	Agitator Bolt - Short (L/H thread)
9	SHW2701060	Singulator Spring
10	SHW6902822	Singulator Spindle (spherical ball type)
11	SHW6902823	Singulator Spindle End Cap
12	SHW2375009	Socket Head Cap Screw
13	SHW2303008	Hexagon Nut
14	SHW7703032	Singulator - multi-line (c/w items 16,17)
	SHW7703875	Singulator- 4-line (c/w items 16,17)
	SHW7704026	Singulator- Red Beet (c/w items 16,17)
15	SHW7703033	Singulator - single line (c/w items 16,17)
16	SHW6902711	Eccentric Singulator Pin
17	SHW2303007	Hexagon Nut
18	SHW7702899	Singulator Brush - Hopper Side
19	SHW2357002	Taptite Pozidriv Pan Head Screw
20	SHW2332105	Slotted Cheese Head Screw
21	SHW2303005	Hexagon Nut
22	SHW2810204	Singulator Cam
23	SHW6902496	Cam Stud
24	SHW2311090	Flat Washer - Form A (between Cam and Body)
25	SHW6404015	Handwheel
26	SHW6902498	Singulator Setting Arm
27	SHW6409340	Dowel
28	SHW2702040	Singulator Arm Spring
29	SHW2810215	Seed Splitter
	SHW6903213	Red Beet Seed Splitter
	SHW6903250	Lettuce Seed Splitter
	SHW6903244	Crysathemum Seed Splitter
	SHW7404134	4-Line seed Splitter
30	SHW2332106	Slotted Cheese Head Screw
31	SHW2303090	Nyloc Hexagon Nut
32	SHW7702830	Agitator - Standard
33	SHW6902664	Agitator Spindle- L/H thread both ends

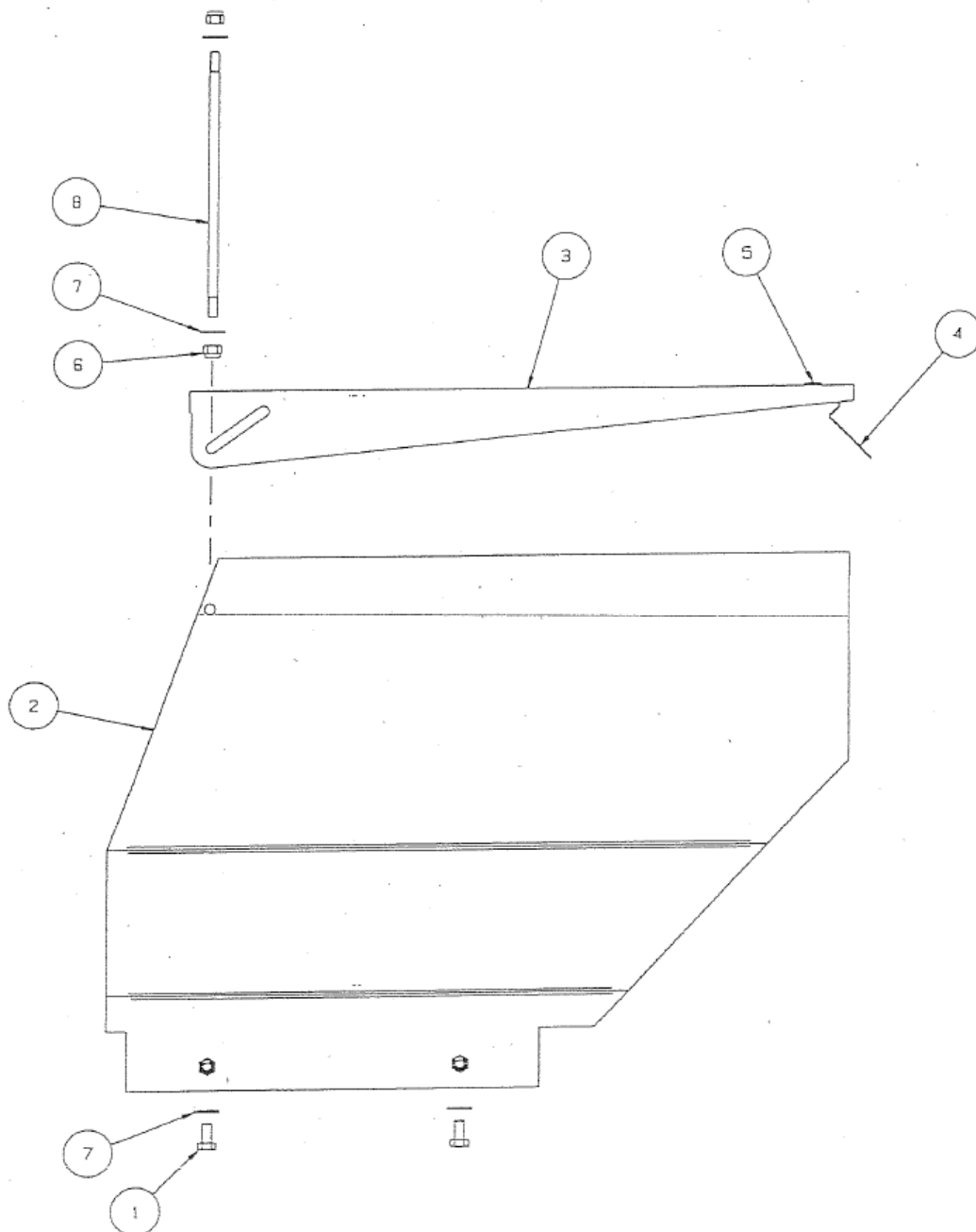
ITEM NUMBER	PART NUMBER	DESCRIPTION
34	SHW2830040	Agitator Finger (snap-in)
*35	SHW7702861	Agitator - Large Pellet
36	SHW7702860	Agitator - Raw Parsnip
37	SHW2215260	Tension Pin (finger for raw parsnip)
38	Obsolete	
39	Obsolete	
40	SHW8002647	2 litre Hopper Lid Kit (c/w items 41-45)
	SHW8002648	1 litre Hopper Lid Kit (c/w items 41-45)
41	SHW6903011	2 litre Hopper Hinge Pin
	SHW2306009	Hexagon Bolt
42	SHW2311132	Flat Washer - Form C
43	SHW2211366	Nyloc Hexagon Nut
44	SHW2212562	POP Rivet
45	SHW2705009	Hopper Lid Clip
46	SHW7402812	2 litre Hopper
	SHW7402811	1 litre Hopper
	SHW7403975	2 litre High Density Hopper (use 1 litre hopper lid)
47	SHW2357022	Taptite Pozidriv Pan Head Screw
48	SHW2810206	Unit Plug
49	SHW2705008	Plug Clip
50	SHW6902586	Cover Plate

METERING UNIT HOPPER SIDE



HOPPER EXTENSION

ITEM NUMBER	PART NUMBER	DESCRIPTION	QTY
1	SHW2309021	HEXAGON SCREW	4
2	SHW7402995	EXTENSION FOR 1L HOPPER	1
	SHW7402996	EXTENSION FOR 2L HOPPER	1
3	SHW7702519	LID C/W ITEMS 4,5	1
4	SHW2705003	LID CLIP	1
5	SHW2212562	POP RIVET	2
6	SHW2303090	NYLOC NUT-FULL	2
7	SHW2311132	FLAT WASHER- FORM C	6
8	SHW6903012	HINGE PIN	1



STARPLUS CHASSIS KIT

SHW8004155

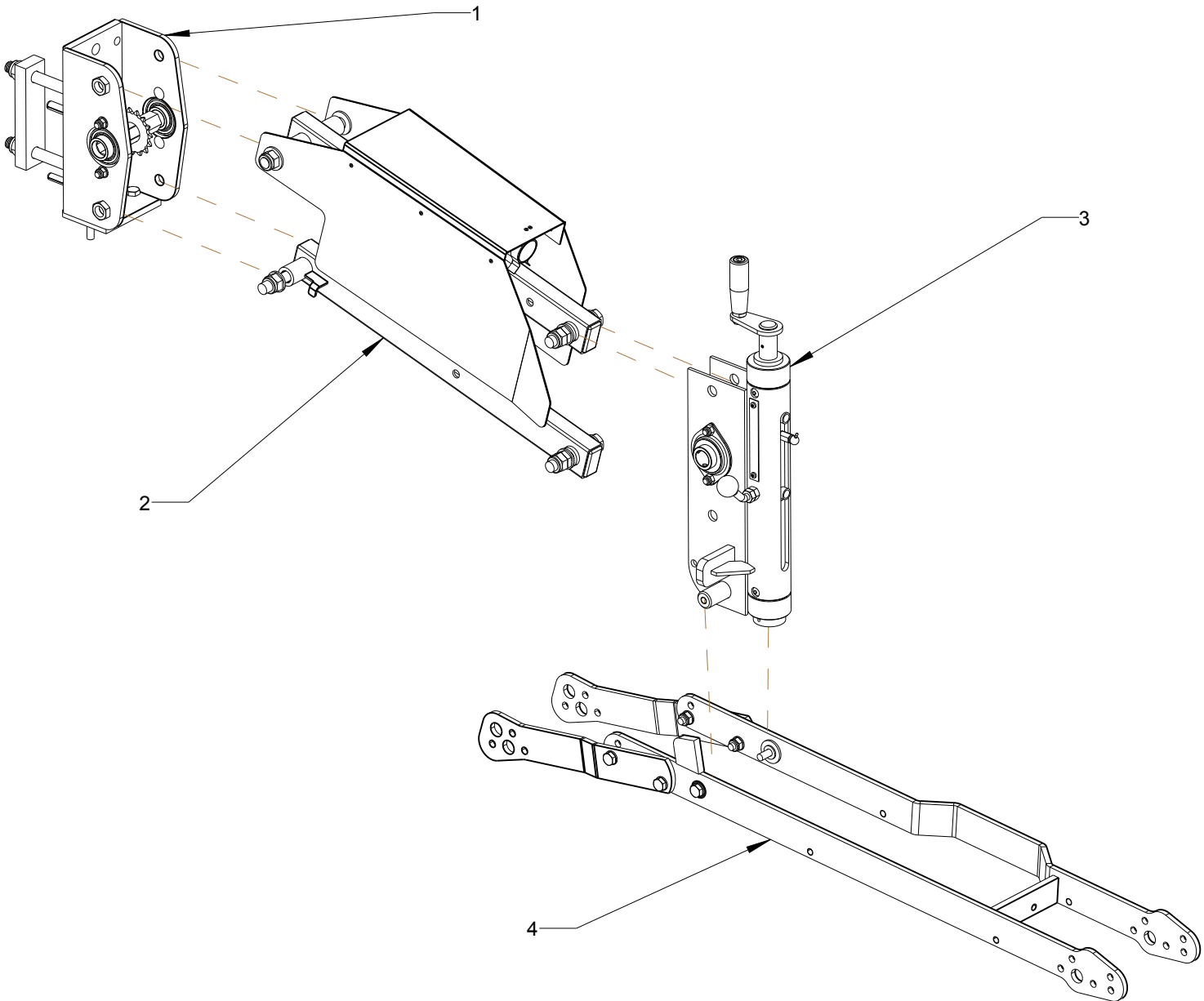


ITEM NUMBER	DESCRIPTION	QTY
1	ROW UNIT HEADSTOCK	1
2	STAR PLUS LINK ASSEMBLIES	1
3	STAR PLUS ADJUSTER	1
4	STAR PLUS CHASSIS	1

ASSEMBLIES

NOT SHOWN	SHW8004129	WEIGHT REDUCTION SPRING KIT
-----------	------------	-----------------------------

STARPLUS CHASSIS KIT
SHW8004155

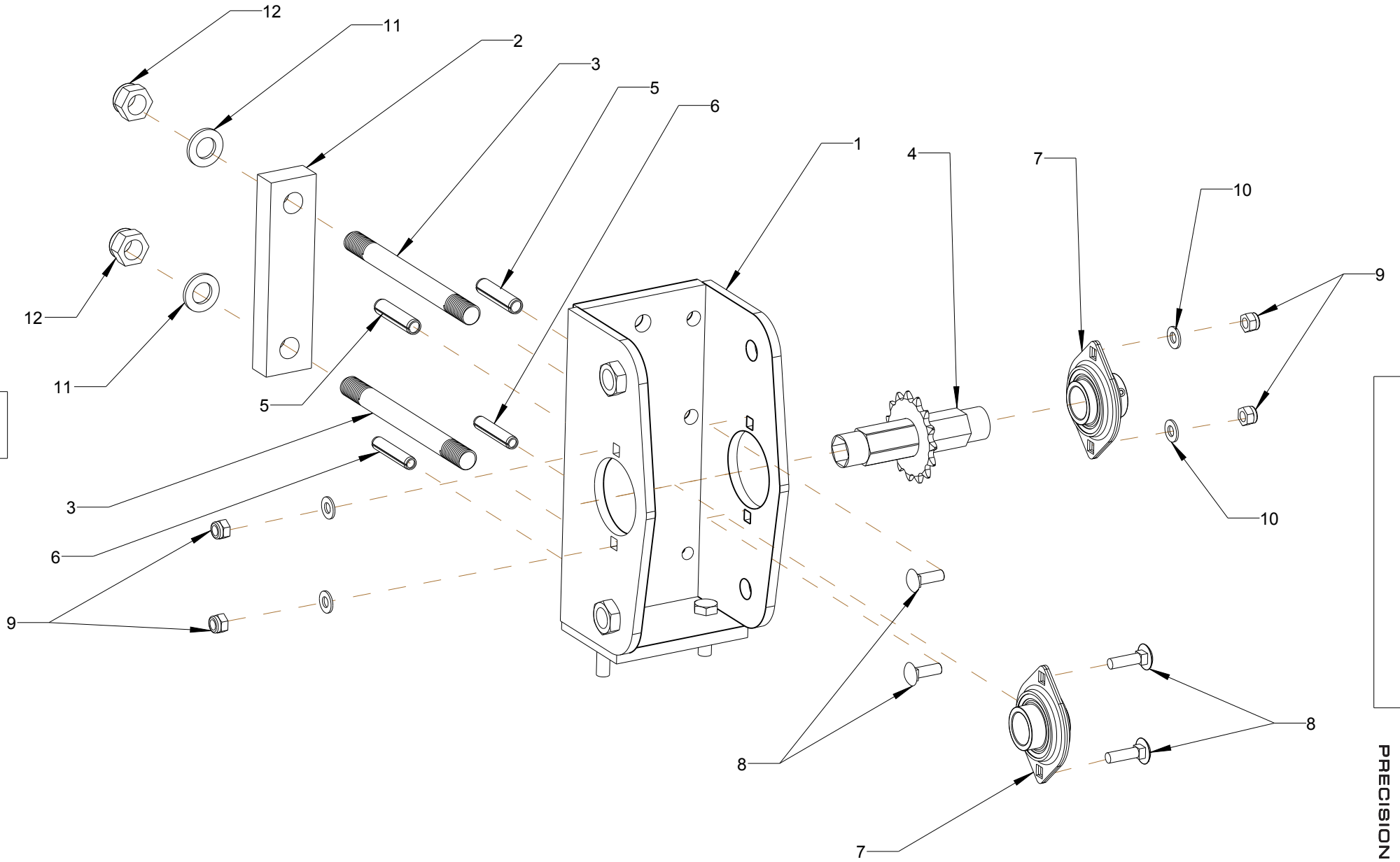


ITEM NUMBER	PART NUMBER	DESCRIPTION	QTY
1	SHW7404031	ROW UNIT HEADTOCK W/A	1
2	SHW6903077	CLASP PLATE (100MM TOOLBAR)	1
	SHW6904151	CLASP PLATE (180MM TOOLBAR)	1
3	SHW6903980	ROW UNIT STUD (100MM TOOLBAR)	2
	SHW6904150	ROW UNIT STUD (180MM TOOLBAR)	2
4	SHW7404048	16T DRIVE SHAFT SPROC.HUB-WA	1
5	SHW2215140	12 X 50 SPIROL PIN	2
6	SHW2215122	10 X 50 X SPIROL PIN	2
7	SHW1905006	RHP BRG UNIT SLFL 25	2
8	SHW2306464	M8 X 25 COACH BOLT BZP CUP SQ.	4
9	SHW2303092	M8 NYLOC FULL P TYPE S/L NUT	4
10	SHW2311089	M8 WASHER FORM A	4
11	SHW2311092	M16 PLN F/W NOR DIA HVY-FORM A	2
12	SHW2303129	M16 PHILIDAS NUT-IND.TYPE	2

NOTE:

FOR 180MM TOOLBAR REPLACE PARTS SHW6903077 AND SHW6903980
 WITH SHW6904151 AND SHW6904150

16

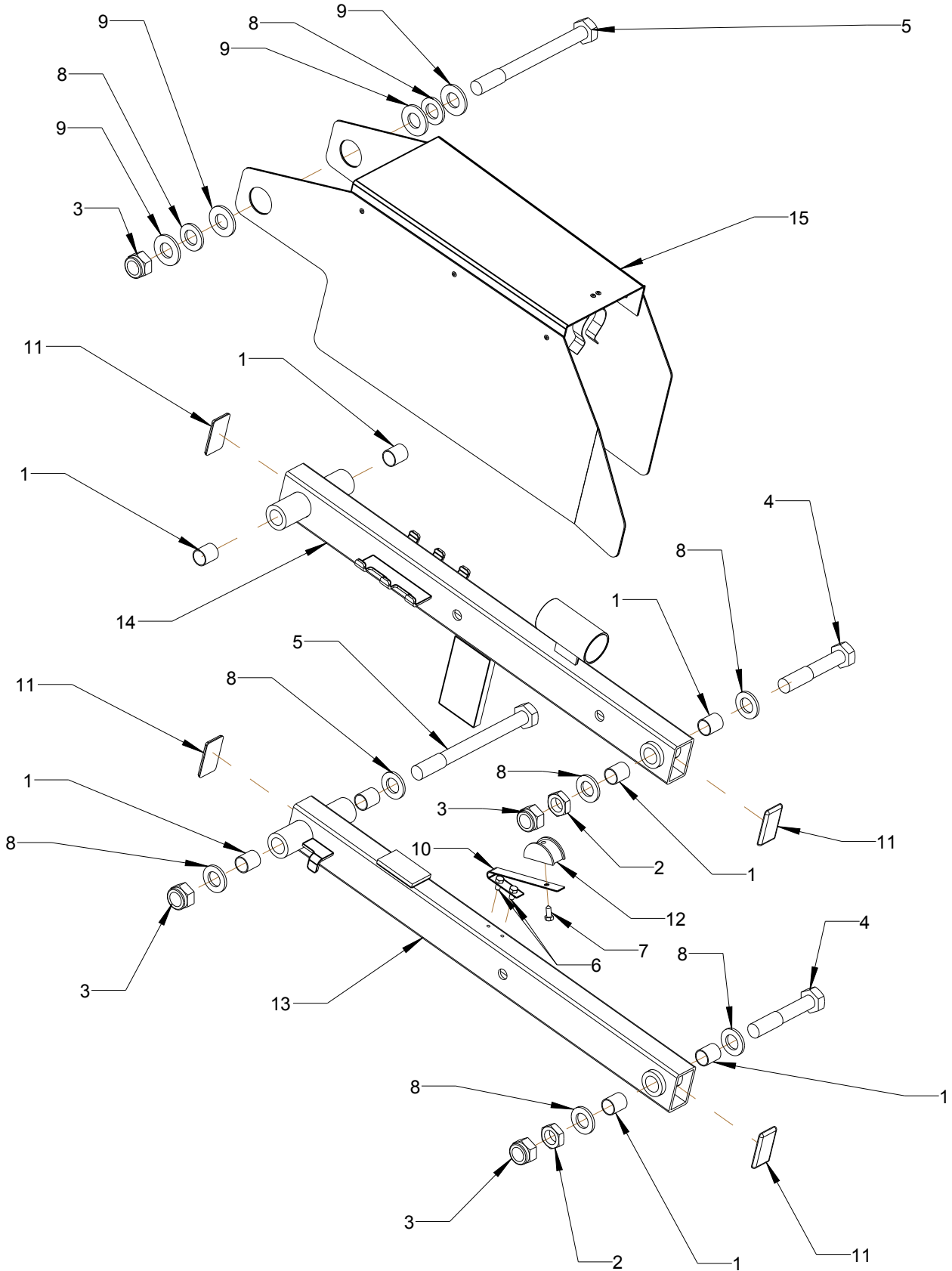


ROW UNIT HEADSTOCK

ITEM NUMBER	PART NUMBER	DESCRIPTION	QTY
1	SHW2008014	GLACIER BEARING	8
2	SHW2303046	M16 LOCKNUT	2
3	SHW2303129	M16 PHILIDAS NUT	4
4	SHW2306135	M16 X 90 BOLT	2
5	SHW2306143	M16 X 170 BOLT	2
6	SHW2309013	M4 X 10 SET SCREW	2
7	SHW2309022	M5 X 12 SET SCREW	1
8	SHW2311092	M16 PLN FORM A	8
9	SHW2311137	M16 PLN FORM C	4
10	SHW2704008	CHAIN TENSIONER SPRING	1
11	SHW6402044	BLACK INSERT	4
12	SHW6902369	RUBBING BLOCK	1
13	SHW7404033	BOTTOM LINK W/A	1
14	SHW7404272	TOP LINK W/A	1
15	SHW7704475	TOP CHAIN GUARD ASSY NEW STAR	1

ASSEMBLIES

SHW7703922	UPPER LINK- ASSY (ITEMS1,11,AND 14)
SHW7703923	LOWER LINK- ASSY (1,6,7,10,11,12 AND 14)



STAR PLUS MU ADJUSTER

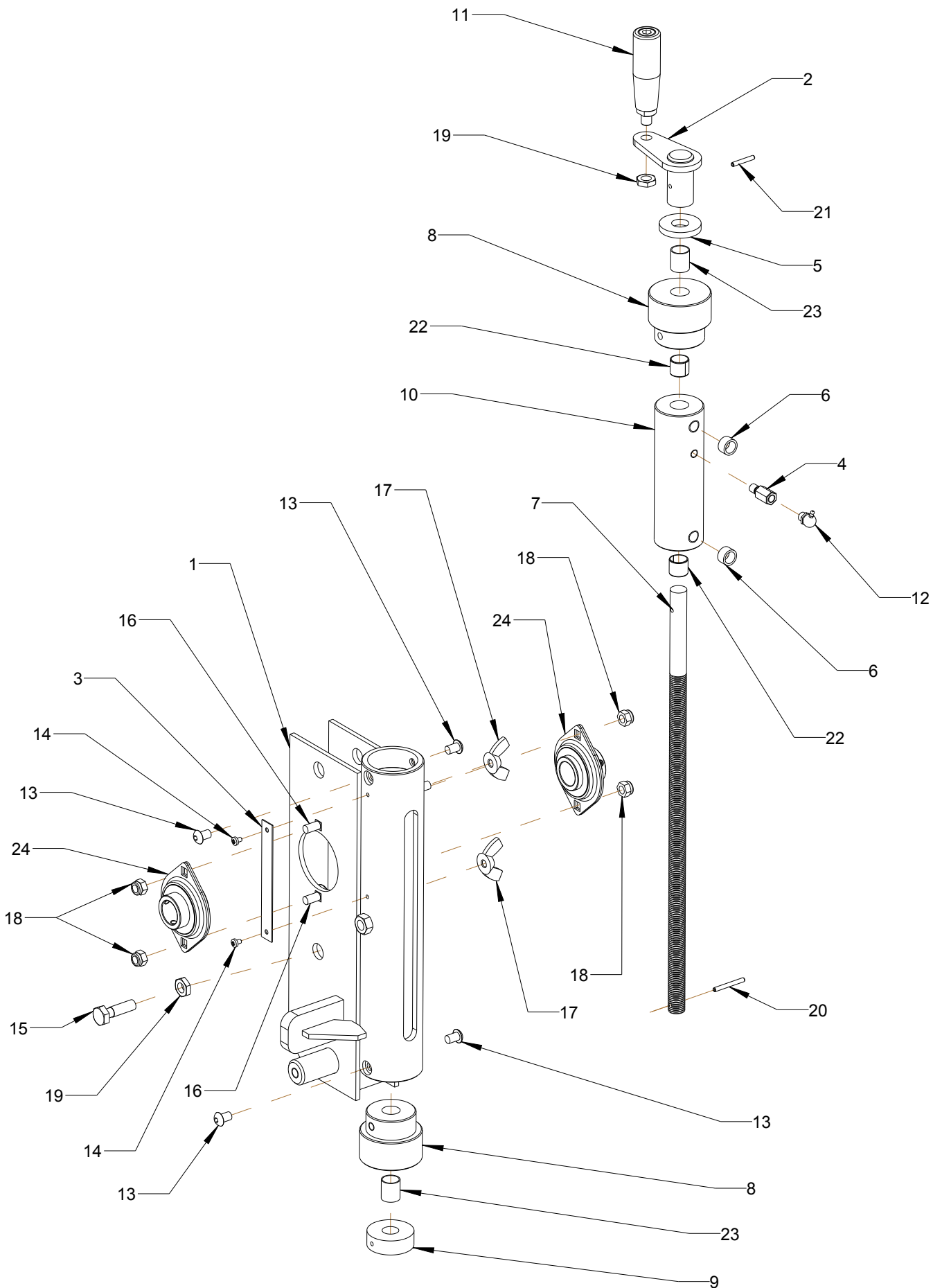
SHW7704476



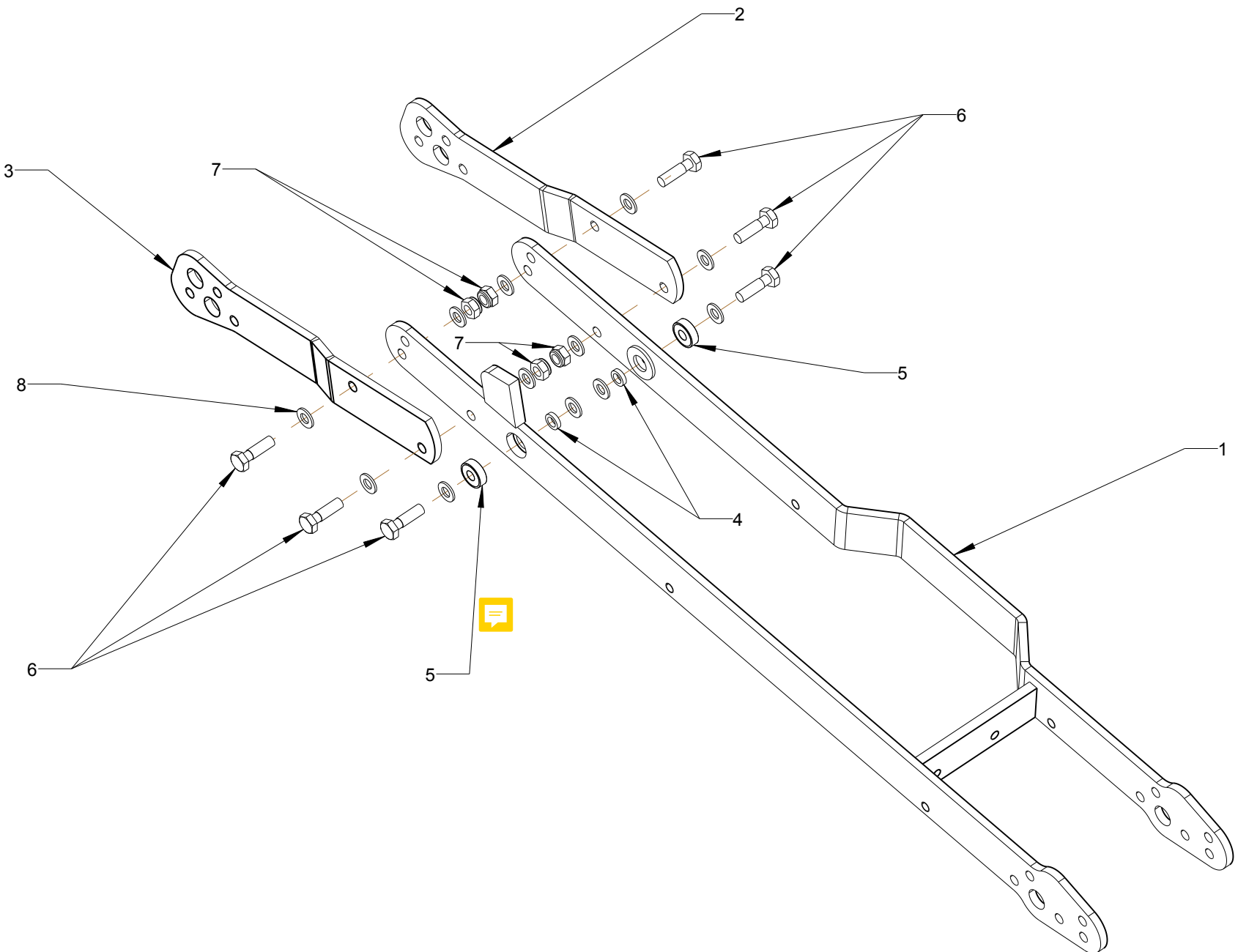
ITEM NUMBER	PART NUMBER	DESCRIPTION	QTY
1	SHW7405012	PARALLEL LINK BRACKET STAR W/A	1
2	SHW7405011	MU ADJUSTER HANDLE HUB W/A	1
3	SHW6904761	STAINLESS STEEL RULER	1
4	SHW6904757	GREASE NIPPLE EXTENSION	1
5	SHW6904753	MU ADJUSTER SPACER	1
6	SHW6904751	MU ADJUSTER SPACER	2
7	SHW6904747	DEPTH ADJ THREADED BAR	1
8	SHW6904746	MU ADJUSTER TOP/BOT COLLAR	2
9	SHW6904744	MU ADJUSTER COLLAR	1
10	SHW6904743	MU ADJUSTER CENTRE COLLAR	1
11	SHW6404036	HANDLE	1
12	SHW6401018	M8 -45DEG GREASER	1
13	SHW2377079	M8 X 12 SKT BUTTON HD SCREW	4
14	SHW2357011	M4 X 6 TAPTITE POZ PAN HD SC	2
15	SHW2306065	M10 X 35 BOLT	1
16	SHW2306463	M8 X 20 COACH BOLT	4
17	SHW2303165	WING NUT-M8 BZP	2
18	SHW2303092	M8 NYLOC NUT	4
19	SHW2303044	M10 LOCKNUT	2
20	SHW2215260	TENSION PIN	1
21	SHW2215256	TENSION PIN	1
22	SHW2008024	GLACIER BEARING	2
23	SHW2008014	GLACIER BEARING	2
24	SHW1905025	BEARING UNIT	2

STAR PLUS MU ADJUSTER

SHW7704476

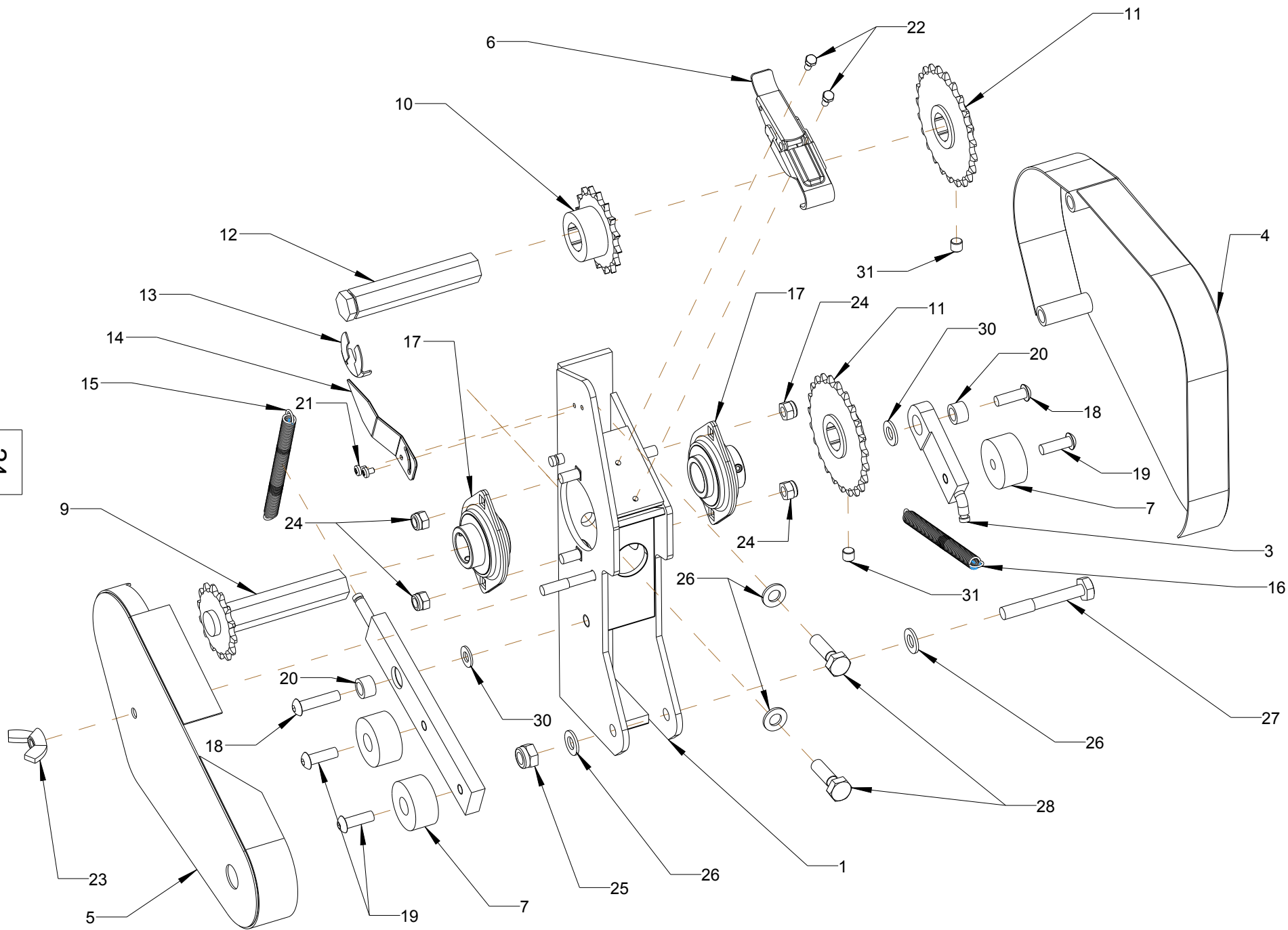


ITEM NUMBER	PART NUMBER	DESCRIPTION	QTY
1	SHW7405014	CHASSIS STARPLUS	1
2	SHW6904708	CHASSIS EXT RH	1
3	SHW6904707	CHASSIS EXT LH	1
4	SHW6902090	PIVOT SPACER	2
5	SHW1901045	BEARING	2
6	SHW2306065	M10 X 35 BOLT	6
7	SHW2303109	M10 THIN NYLOC NUT	4
8	SHW2311090	M10 WASHER FORM A	12



ITEM NUMBER	PART NUMBER	DESCRIPTION	QTY
1	SHW7405013	MU BRACKET STAR	1
2	SHW7405010	JOCKEY PLATE W/A	1
3	SHW7405009	JOCKEY PLATE W/A	1
4	SHW7400083	INTER DRIVE GUARD V2	1
5	SHW7400082	FINAL DRIVE GUARD V2	1
6	SHW6903246	TOGGLE CLIP	1
7	SHW6904599	FINAL DRIVE JOCKEY	2
8	SHW6904754	FINAL DRIVE JOCKEY MK2	1
9	SHW7405017	MU DRIVE SHAFT W/A	1
10	SHW7404993	16T INTERNAL SPROCKET W/A	1
11	SHW7405018	23T SHAFT SPROCKET	2
12	SHW6904752	INTERMEDIATE SPINDLE	1
13	SHW2317004	SPRINGFIX KLM 24	1
14	SHW6904760	RULER POINTER	1
15	SHW2702001	JOCKEY LEVER SPRING BOF	1
16	SHW2702053	JOCKEY SPRING	1
17	SHW1905025	BEARING UNIT	2
18	SHW2377106	M10 X 25 BUTTON HD SCRW	2
19	SHW2377082	M8 X 25 SKT BUTTON HD SCRW	3
20	SHW6904600	JOCKEY PIVOT PLATE SPACER	2
21	SHW2357011	M4 X 6 TAPTITE POZ PAN HD	2
22	SHW2309021	M5 X 10 SET SCREW	2
23	SHW2303165	M8 WING NUT	1
24	SHW2303092	M8 NYLOC NUT	4
25	SHW2303109	M10 NYLOC NUT THIN	1
26	SHW2311090	M10 WASHER FORM A	2
27	SHW2306072	M10 X 70 BOLT	1
28	SHW2306065	MX 25 HEX BOLT	2
29	SHW2306463	M8 X 20 COACH BOLT	4
30	SHW2311135	M10 WASHER FORM C	2
31	SHW2374066	M8 X 8 GRUB SCREW	2
NOT SHOWN	SHW1807101	CON LINK	1
NOT SHOWN	SHW1807128	1/2P CHAIN 51P	1

24



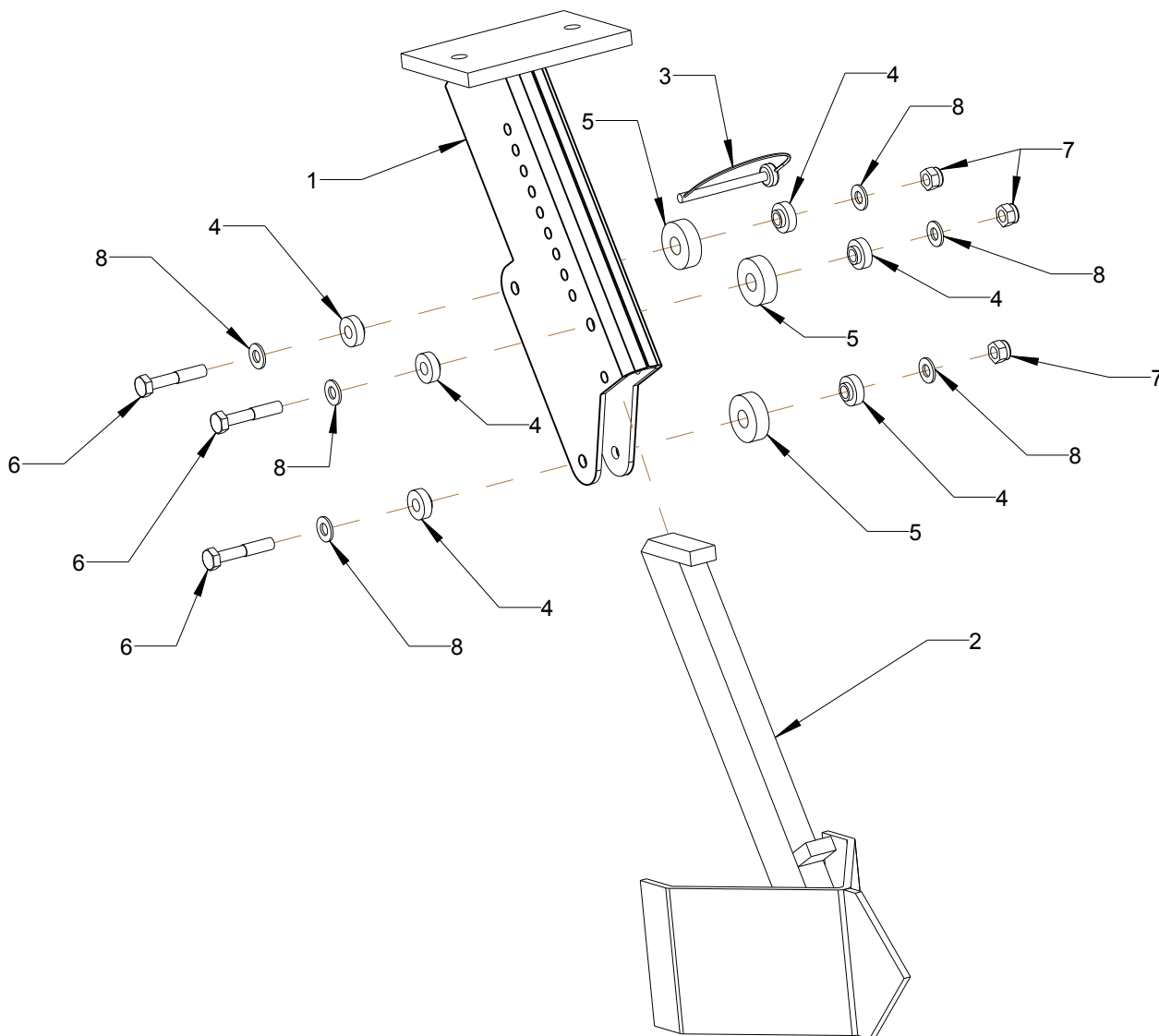
DRIVE KIT AND SPROCKET SET



ITEM NUMBER	PART NUMBER	DESCRIPTION	QTY
1	SHW7404457	CLOD DEFLECTOR TRACK	1
2	SHW7404458	150 CLOD DEFLECTOR	1
	SHW7404497	190 CLOD DEFLECTOR	1
3	SHW6408020	6MM WIRE ROPE CLIP	1
4	SHW6904132	BEARING SPACER	6
5	SHW1901101	6201-2RS BALL BEARING	3
6	SHW2306040	Bolt M8 x 45	3
7	SHW2311089	M8 FORM A	6
8	SHW2303092	M8 NYLOC NUT	3

ASSEMBLIES

SHW7704140	150 CLOD DEFLECTOR
SHW7704165	190 CLOD DEFLECTOR



ITEM NUMBER	PART NUMBER	DESCRIPTION
1	SHW6904150	Gear Box Stud (180mm Toolbar)
	SHW6903980	Gear Box Stud (100mm Toolbar)
	SHW6904115	Gear Box Stud (200 x 100mm Tool bar)
2	SHW2303095	Nyloc Nut
3	SHW2311092	Flat Washer
4	SHW6904151	Clasp Plate (180mm Toolbar)
	SHW6903077	Clasp Plate (100mm and 100 x 200mm Toolbar)
5	SHW7704241	Gear Box Front Plate Assy. (180mm Toolbar)
	SHW7704239	Gear Box Front Plate Assy. (100mm and 100 x200mm Toolbar)
	SHW7404614	Gear Box Front Plate
	SHW2215122	Spirol Pin
	SHW2215140	Spirol Pin
6	SHW2309078	Set Screw
7	SHW2311091	Flat Washer
8	SHW2306464	Coach Bolt
9	SHW2311089	Flat Washer
10	SHW1905006	Bearing
11	SHW2303092	Nyloc Nut
12	SHW2376079	Socket Countersunk Screw
13	SHW6904319	Gearbox Spacer
14	SHW7404626	Bottom Cover W/A
15	SHW6904330	Wheel Arm Spacer
16	SHW7704246	Top Cover Assy.
	SHW2387017	Wing Stud
	SHW2387018	Retainer
	SHW7404625	Top Cover W/A
17	SHW5700389	Wheel & Tyre
	SHW5700356	Tyre
	SHW5700357	Tube
	SHW5700388	Wheel
18	SHW6904322	Input Shaft
19	SHW2217003	Ext. Circlip
20	SHW6904321	Input Shaft Hub
21	SHW1901051	Ball Bearing
22	SHW2217009	Ext. Circlip
23	SHW6904331	Wheel Arm Washer
24	SHW6904328	Wheel Arm L/H
25	SHW6904329	Wheel Arm R/H
26	SHW2376069	Socket Countersunk Screw

ITEM NUMBER	PART NUMBER	DESCRIPTION
27	7704310	Wheel Bearing Hub R/H Assy.
	1901160	Bearing
	6904407	Bearing Hub R/H
28	7404627	Wheel Scraper
29	7704311	Wheel Bearing Hub L/H assy.
	1901160	Bearing
	6904410	Bearing Hub L/H
30	6904332	Scraper Arm
31	2306043	Bolt
32	2306096	Bolt
33	2303094	Nyloc Nut
34	7404622	19T Wheel Spindle
35	2306560	Bolt
36	2311391	Conical Washer
37	2303103	Nyloc Nut
38	7404623	Wheel Hub
39	6904409	Wheel Spindle Spacer R/H
40	6904408	Wheel Spindle Spacer L/H
41	2311093	Flat Washer
42	2303096	Nyloc Nut
43	2311132	Flat Washer
44	7404624	Chain Guard
45	2377085	Socket Button Head Screw
46	6904333	Jockey
47	2376064	Socket Countersunk Screw
48	7700024	Secondary Drive Jockey Assy. (see other page)
49	7404619	8 Sprocket Cluster
50	1830003	65 Pitch Chain
51	1830001	Connecting Link
52	1707151	11/13T Sliding Sprocket
53	1707086	17/24T Sliding Sprocket
54	1808065	Connecting Link
55	1808083	125 Pitch Chain (24T Sprocket)
	1808086	137 Pitch Chain (40T Sprocket)
56	2377079	Socket Button Head Screw
57	2311215	Spring Washer
58	1708062	24T Primary Driven Sprocket
	1708065	40T Primary Driven Sprocket
59	6904336	Primary Driven Hub
60	7704245	Jack Screw Assy. (see other page)
	7704283	Jack Screw Assy. -Spring Loaded (see other page)
61	7704244	Gearbox Rear Spacer Assy.
62	6904319	Gearbox Spacer
63	7404615	Gearbox Side L/H

ITEM NUMBER	PART NUMBER	DESCRIPTION
64	SHW7404616	Gearbox Side R/H
65	SHW7704283	Jack Screw (Spring Loaded- Assy.)
66	SHW2309022	Set Screw

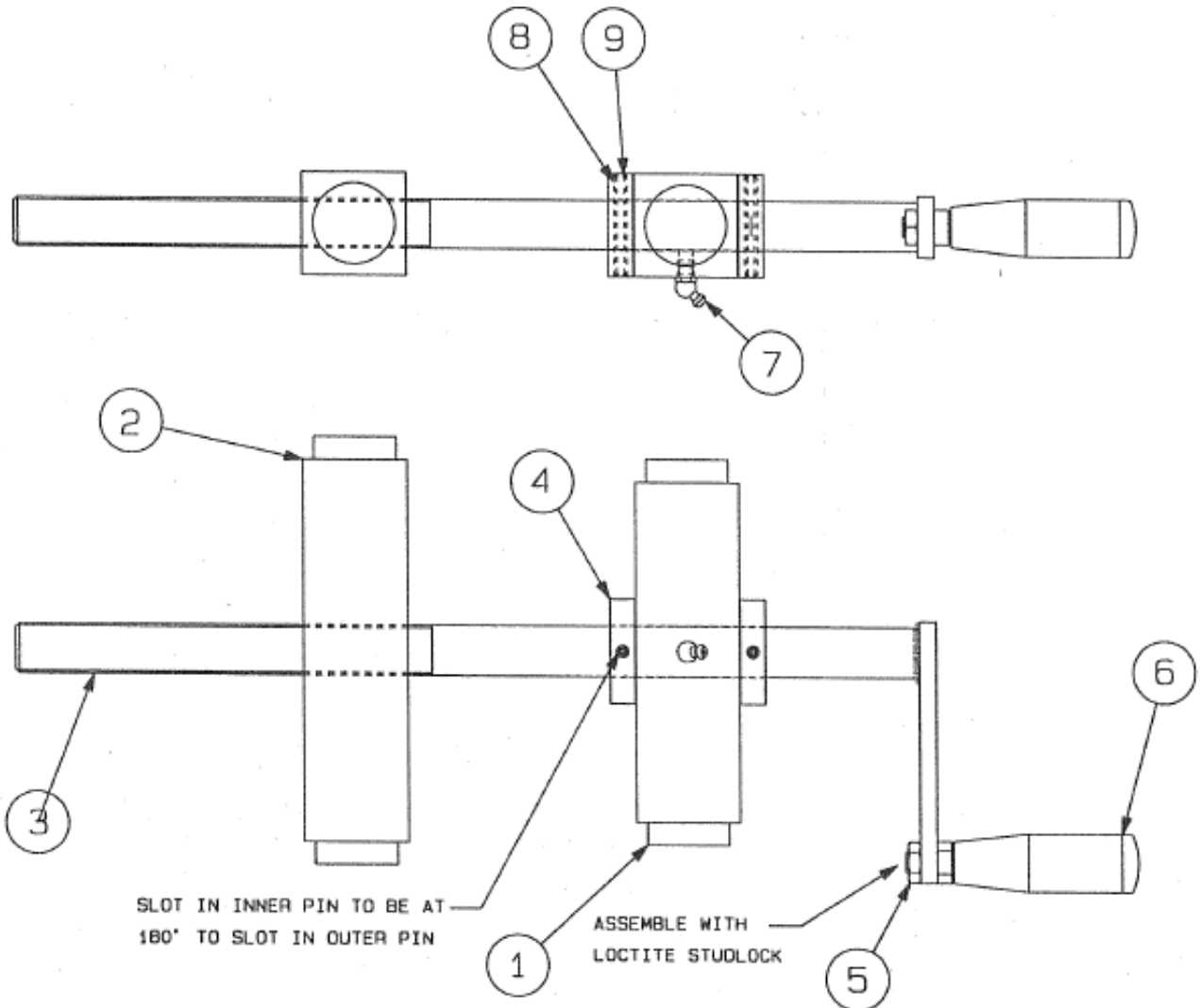
ASSEMBLIES

SHW8003854	Chain Land Drive Wheel (100 x 100 Toolbar)
SHW7704267	Support Land Wheel (100 x 100 Toolbar)
SHW8003860	Chain Land Drive Wheel (100 x 100 Toolbar) - Spring Loaded
SHW7704268	Support Land Wheel (100 x 100 Toolbar) - Microband
SHW8003857	Chain Land Drive Wheel (180 x 180 Toolbar)
SHW7704270	Support Land Wheel (180 x 180 Toolbar)
SHW8003860	Chain Land Drive Wheel (180 x 180 Toolbar) - Spring Loaded
SHW7704271	Support Land Wheel (180 x 180 Toolbar) - Microband
SHW8003980	Chain Land Drive Wheel (210 x 100 Toolbar)
SHW7704303	Support Land Wheel (210 x 100 Toolbar)
SHW8003978	Chain Land Drive Wheel (210 x 100 Toolbar) - Spring Loaded
SHW7704367	Support Land Wheel (210 x 100 Toolbar) - Microband

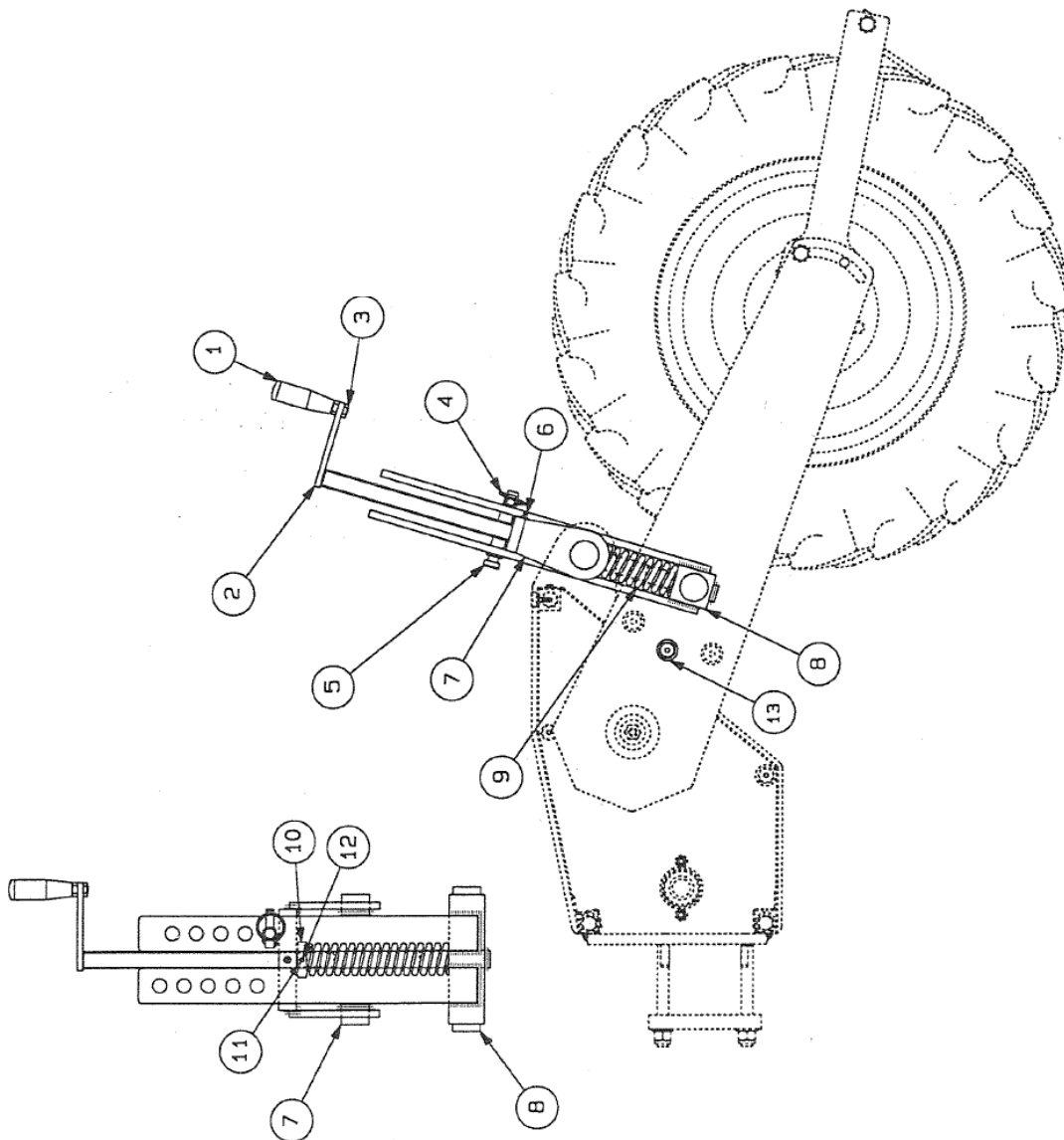
JACK SCREW ASSEMBLY

SHW7704245

ITEM NUMBER	PART NUMBER	DESCRIPTION
1	SHW6904325	TRUNION- PLAIN
2	SHW6904326	TRUNION- TAPPED
3	SHW7404620	JACK SCREW
4	SHW6904327	JACK SCREW COLLAR
5	SHW2303044	LOCKNUT
6	SHW6404036	HANDLE
7	SHW6401018	GREASER
8	SHW2215306	TENSION PIN- LARGE
9	SHW2215403	TENSION PIN- SMALL



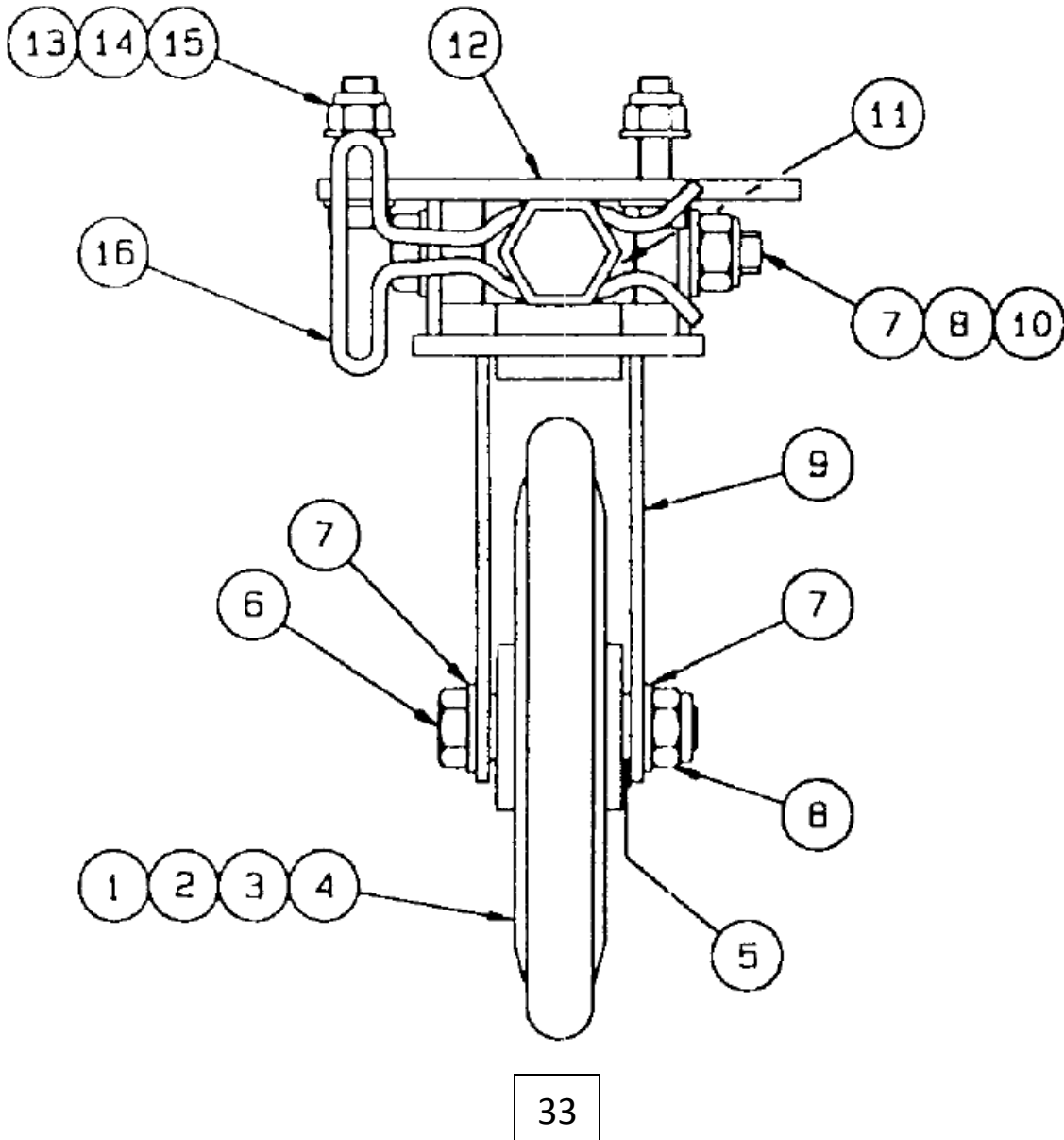
ITEM NUMBER	PART NUMBER	DESCRIPTION
1	SHW6404036	HANDLE
2	SHW7404649	JACK SCREW
3	SHW2303044	LOCKNUT
4	SHW2314759	LINCH PIN
5	SHW2314820	LINK PIN
6	SHW6401006	GREASE NIPPLE
7	SHW7404648	GEARBOX TRUNION
8	SHW7404647	WHEEL ARM TRUNION
9	SHW2701056	COMPRESSION SPRING
10	SHW6904365	JACK SCREW COLLAR
11	SHW2215306	TENSION PIN (LARGE)
12	SHW2215403	TENSION PIN (SMALL)
13	SHW6904382	WHEEL ARM SPACER (S/L)



SINGLE LINE SEED PRESS WHEEL

SHW7703332

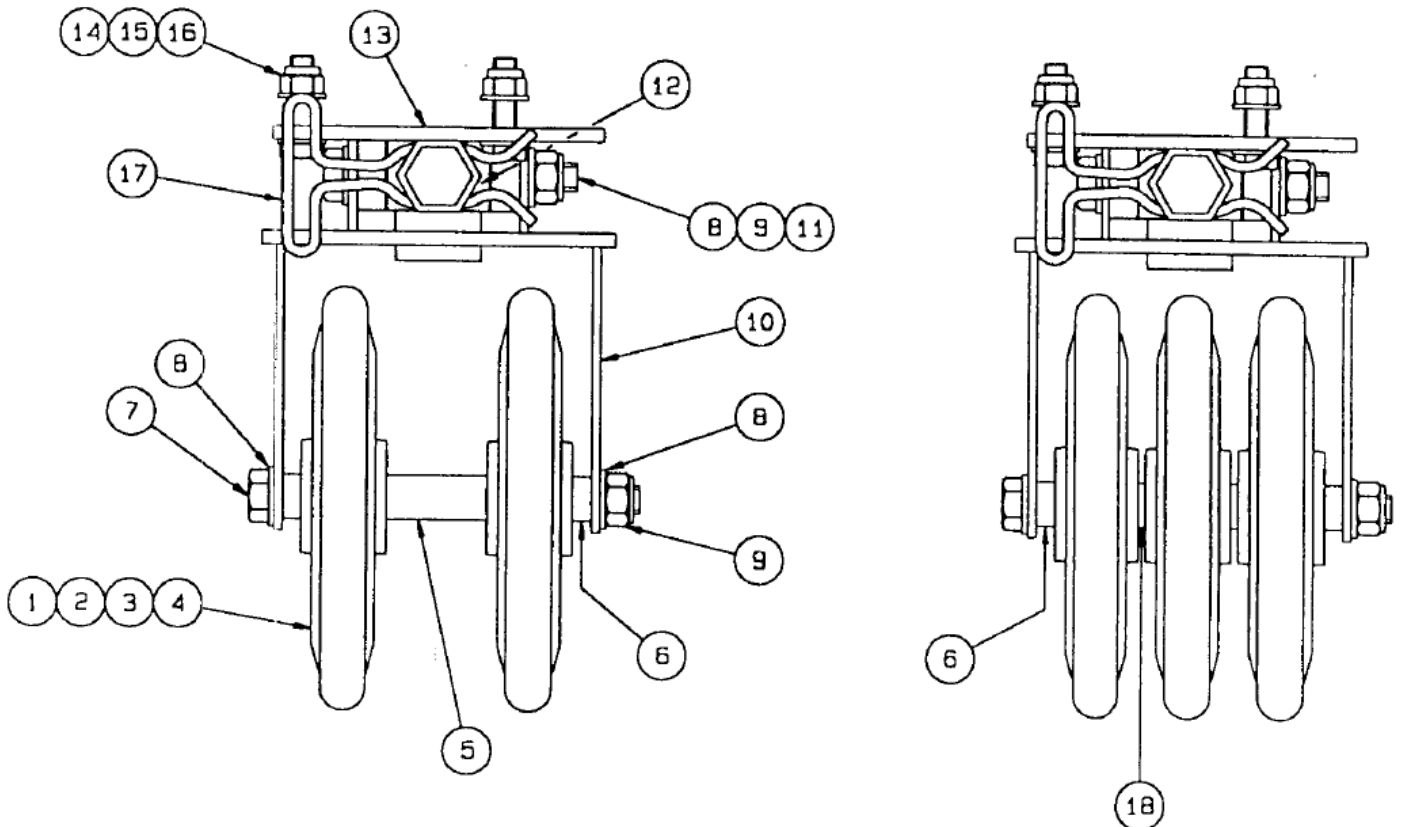
ITEM NUMBER	PART NUMBER	DESCRIPTION
1	SHW7703331	ZP SEED PRESS WHEEL
2	SHW2820016	ZERO PRESSURE TYRE
3	SHW1901101	BALL BEARING
4	SHW2217206	INTERNAL CIRCLIP
5	SHW6903115	WHEEL SPACER
6	SHW2306069	HEX BOLT
7	SHW2311090	FLAT WASHER FORM A
8	SHW2303109	NYLOC NUT THIN
9	SHW7403489	ZP PRESS WHEEL FRAME WA
10	SHW2306074	HEX BOLT
11	SHW7403490	ZP PRESS WHEEL STEM WA
12	SHW7403456	PRESS WHEEL STEM BRACKET WA
13	SHW2309049	HEX SCREW
14	SHW2311089	FLAT WASHER FORM A
15	SHW2303092	NYLOC NUT FULL
16	SHW2705001	COULTER CLIP



ITEM NUMBER	PART NUMBER	DESCRIPTION
1	SHW7703331	ZP SEED PRESS WHEEL
2	SHW2820016	ZERO PRESSURE TYRE
3	SHW1901101	BALL BEARING
4	SHW2217206	INTERNAL CIRCLIP
5	SHW6903130	WHEEL SPACER INNER 2L
6	SHW6903132	WHEEL SPACER OUTER
7	SHW2306079	HEX BOLT
8	SHW2311090	FLAT WASHER FORM A
9	SHW2303109	NYLOC NUT THIN
10	SHW7403508	ZP PRESS WHEEL FRAME WA
11	SHW2306074	HEX BOLT
12	SHW7403490	ZP PRESS WHEEL STEM WA
13	SHW7403456	PRESS WHEEL STEM BRACKET WA
14	SHW2309049	HEX SCREW
15	SHW2311089	FLAT WASHER FORM A
16	SHW2303092	NYLOC NUT FULL
17	SHW2705001	COULTER CLIP
18	SHW6903131	WHEEL SPACER INNER 3L

ASSEMBLIES

SHW7703355	65MM X 2 LINE ZP SEED PRESS WHEEL COMPLETE
SHW7703356	65MM X 3 LINE ZP SEED PRESS WHEEL COMPLETE

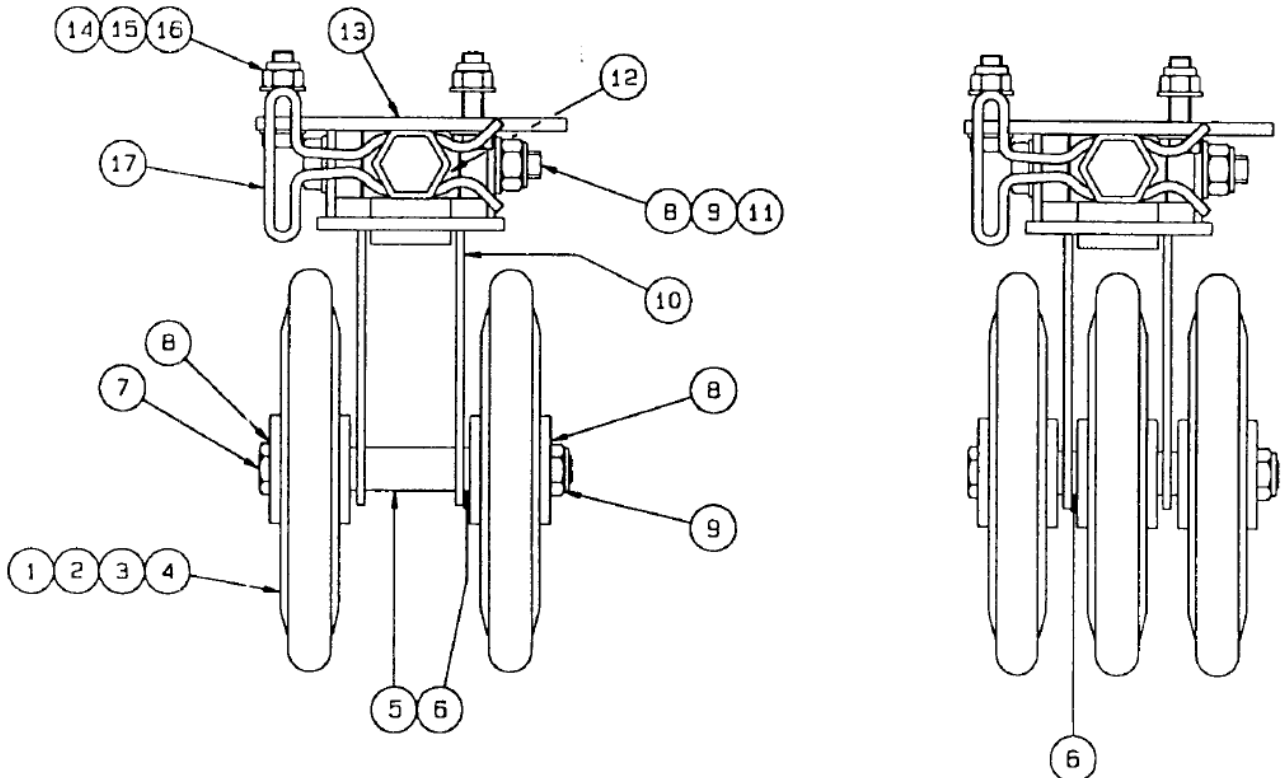


75MM SEED PRESS WHEELS

ITEM NUMBER	PART NUMBER	DESCRIPTION
1	SHW7703331	ZP SEED PRESS WHEEL
2	SHW2820016	ZERO PRESSURE TYRE
3	SHW1901101	BALL BEARING
4	SHW2217206	INTERNAL CIRCLIP
5	SHW6903118	FRAME SPACER
6	SHW6903115	WHEEL SPACER
7	SHW2306077	HEX BOLT
8	SHW2311090	FLAT WASHER FORM A
9	SHW2303109	NYLOC NUT THIN
10	SHW7403489	ZP PRESS WHEEL FRAME WA
11	SHW2306074	HEX BOLT
12	SHW7403490	ZP PRESS WHEEL STEM WA
13	SHW7403456	PRESS WHEEL STEM BRACKET WA
14	SHW2309049	HEX SCREW
15	SHW2311089	FLAT WASHER FORM A
16	SHW2303092	NYLOC NUT FULL
17	SHW2705001	COULTER CLIP

ASSEMBLIES

SHW7703333	75MM X 2 LINE ZP SEED PRESS WHEEL COMPLETE
SHW7703334	75MM X 3 LINE ZP SEED PRESS WHEEL COMPLETE

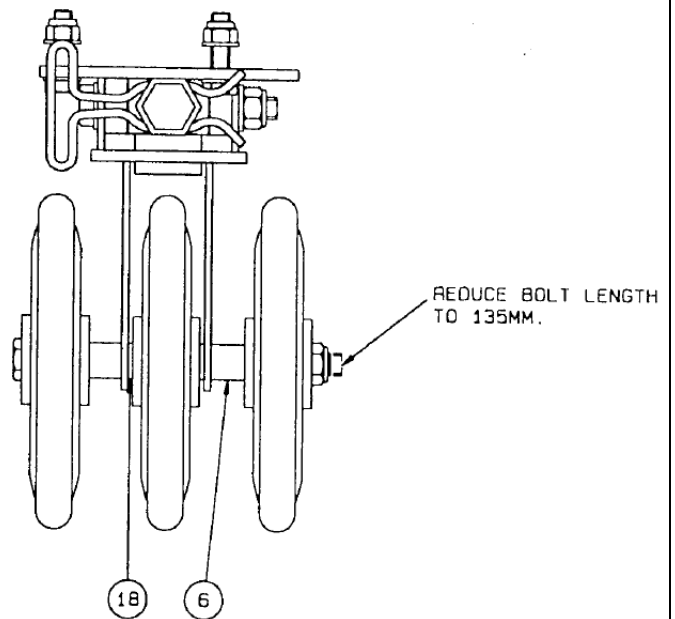
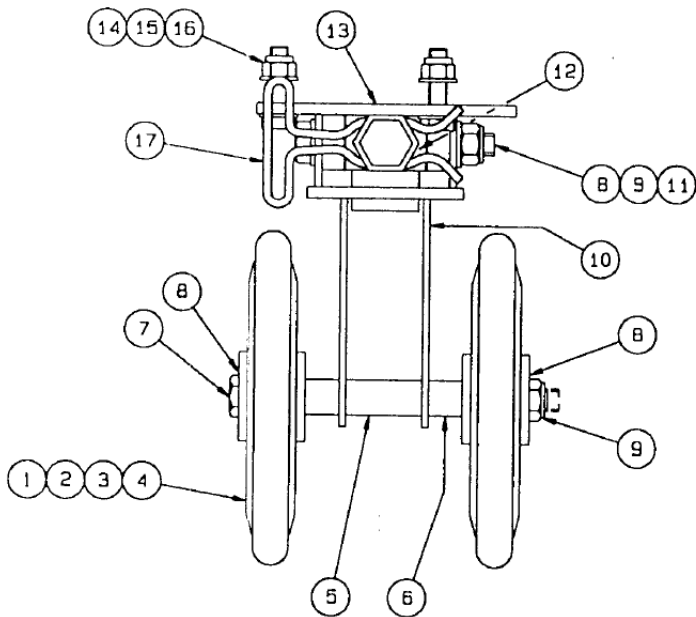


100MM SEED PRESS WHEELS

ITEM NUMBER	PART NUMBER	DESCRIPTION
1	SHW7703331	ZP SEED PRESS WHEEL
2	SHW2820016	ZERO PRESSURE TYRE
3	SHW1901101	BALL BEARING
4	SHW2217206	INTERNAL CIRCLIP
5	SHW6903118	FRAME SPACER
6	SHW6903116	WHEEL SPACER OUTER
7	SHW2306080	HEX BOLT
8	SHW2311090	FLAT WASHER FORM A
9	SHW2303109	NYLOC NUT THIN
10	SHW7403489	ZP PRESS WHEEL FRAME WA
11	SHW2306074	HEX BOLT
12	SHW7403490	ZP PRESS WHEEL STEM WA
13	SHW7403456	PRESS WHEEL STEM BRACKET WA
14	SHW2309049	HEX SCREW
15	SHW2311089	FLAT WASHER FORM A
16	SHW2303092	NYLOC NUT FULL
17	SHW2705001	COULTER CLIP
18	SHW6903115	WHEEL SPACER

ASSEMBLIES

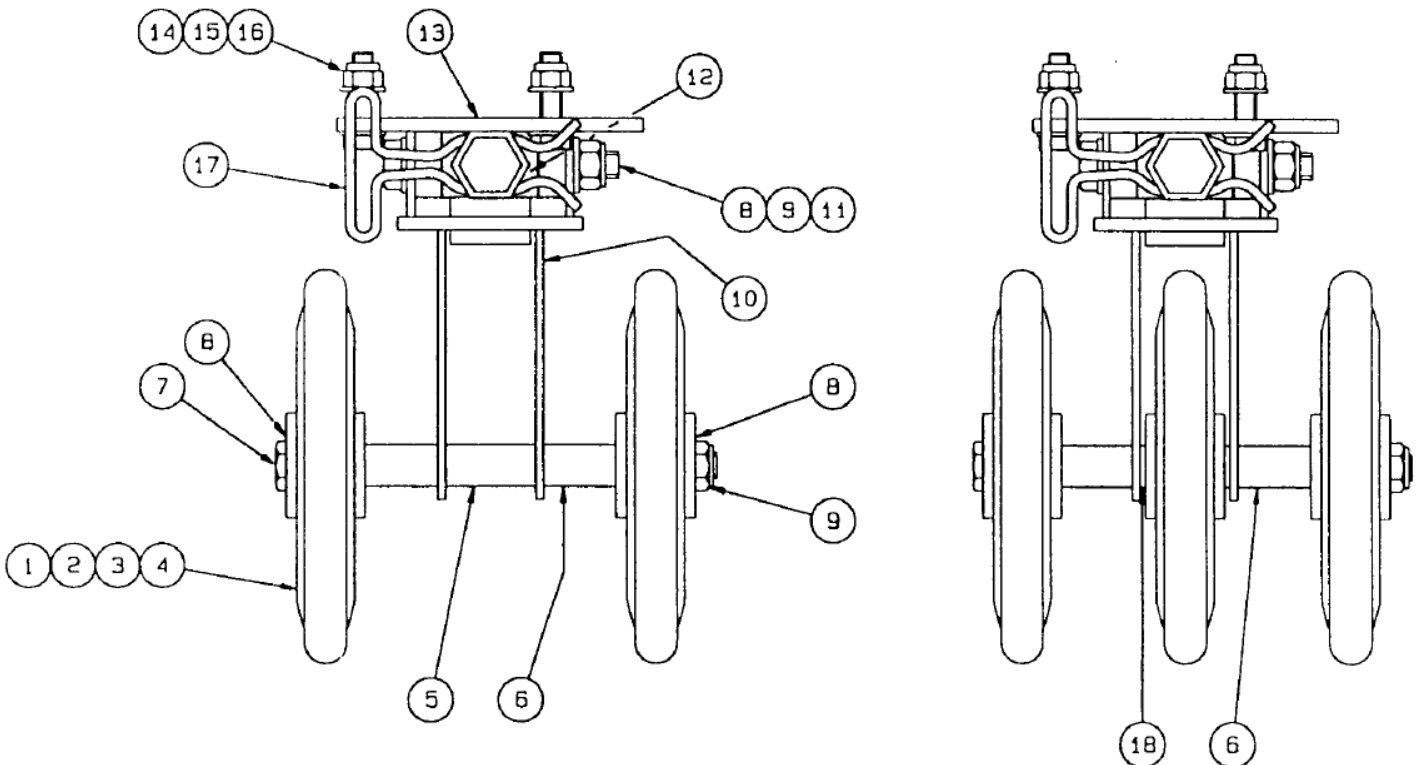
SHW7703335	100MM X 2 LINE ZP SEED PRESS WHEEL COMPLETE
SHW7703336	100MM X 3 LINE ZP SEED PRESS WHEEL COMPLETE



ITEM NUMBER	PART NUMBER	DESCRIPTION
1	SHW7703331	ZP SEED PRESS WHEEL
2	SHW2820016	ZERO PRESSURE TYRE
3	SHW1901101	BALL BEARING
4	SHW2217206	INTERNAL CIRCLIP
5	SHW6903118	FRAME SPACER
6	SHW6903622	WHEEL SPACER OUTER
7	SHW2306082	HEX BOLT
8	SHW2311090	FLAT WASHER FORM A
9	SHW2303109	NYLOC NUT THIN
10	SHW7403489	ZP PRESS WHEEL FRAME WA
11	SHW2306074	HEX BOLT
12	SHW7403490	ZP PRESS WHEEL STEM WA
13	SHW7403456	PRESS WHEEL STEM BRACKET WA
14	SHW2309049	HEX SCREW
15	SHW2311089	FLAT WASHER FORM A
16	SHW2303092	NYLOC NUT FULL
17	SHW2705001	COULTER CLIP
18	SHW6903115	WHEEL SPACER

ASSEMBLIES

SHW7703774	125MM X 2 LINE ZP SEED PRESS WHEEL COMPLETE
SHW7703773	125MM X 3 LINE ZP SEED PRESS WHEEL COMPLETE

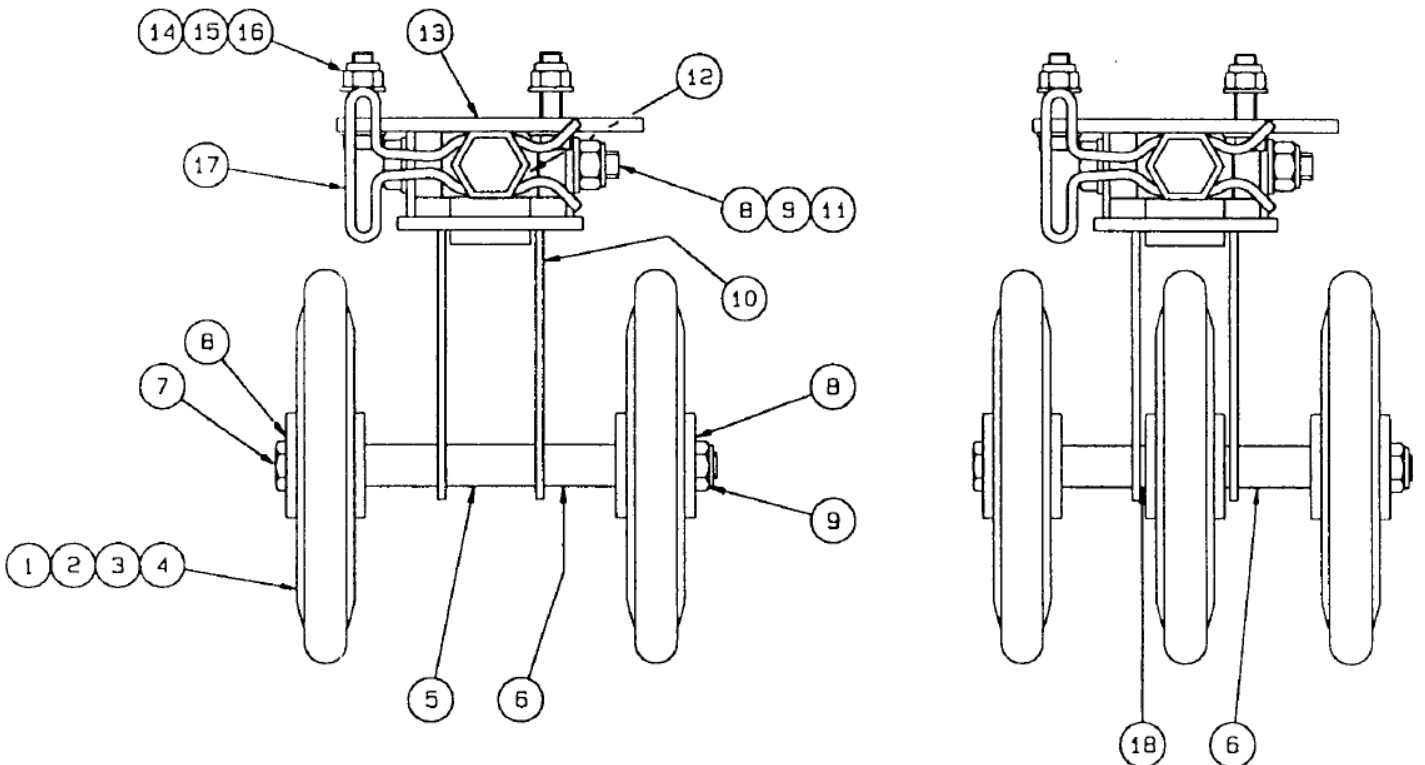


150MM SEED PRESS WHEELS

ITEM NUMBER	PART NUMBER	DESCRIPTION
1	SHW7703331	ZP SEED PRESS WHEEL
2	SHW2820016	ZERO PRESSURE TYRE
3	SHW1901101	BALL BEARING
4	SHW2217206	INTERNAL CIRCLIP
5	SHW6903118	FRAME SPACER
6	SHW6903117	WHEEL SPACER OUTER
7	SHW2306088	HEX BOLT
8	SHW2311090	FLAT WASHER FORM A
9	SHW2303109	NYLOC NUT THIN
10	SHW7403489	ZP PRESS WHEEL FRAME WA
11	SHW2306074	HEX BOLT
12	SHW7403490	ZP PRESS WHEEL STEM WA
13	SHW7403456	PRESS WHEEL STEM BRACKET WA
14	SHW2309049	HEX SCREW
15	SHW2311089	FLAT WASHER FORM A
16	SHW2303092	NYLOC NUT FULL
17	SHW2705001	COULTER CLIP
18	SHW6903115	WHEEL SPACER

ASSEMBLIES

SHW7703337	150MM X 2 LINE ZP SEED PRESS WHEEL COMPLETE
SHW7703338	150MM X 3 LINE ZP SEED PRESS WHEEL COMPLETE



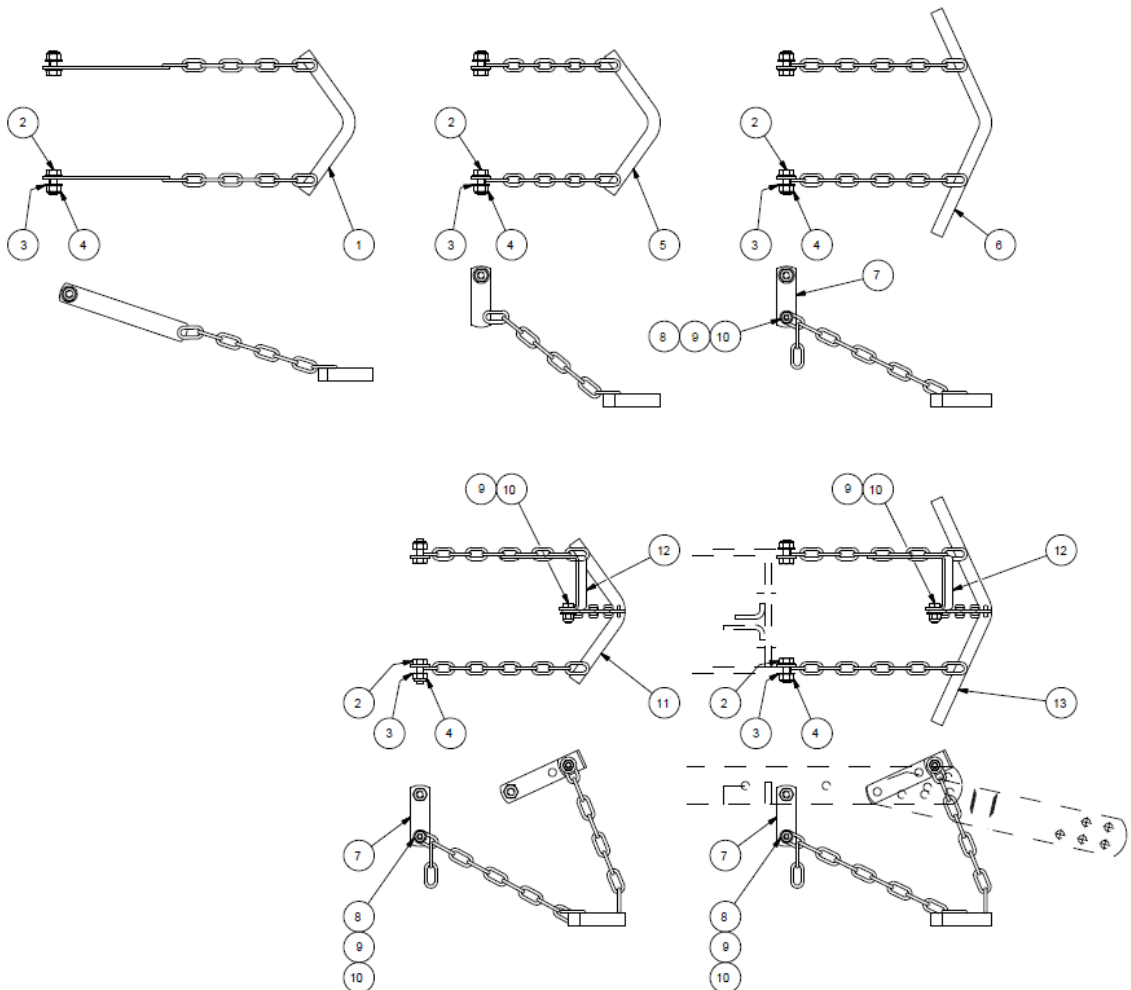
DRAG COVERER OPTIONS



ITEM NUMBER	PART NUMBER	DESCRIPTION
1	SHW7403455	2 CHAIN COV. LG PLATE
2	SHW2309062	HEXAGON SCREW
3	SHW2311112	FLAT WASHER FORM B
4	SHW2303109	NYLOC NUT- THIN
5	SHW7403049	2 CHAIN COV. 8 LINKS
6	SHW7403549	2 CHAIN COV. 12 LINKS
7	SHW6903175	MOUNTING PLATE
8	SHW2309047	HEXAGON SCREW
9	SHW2311134	FLAT WASHER FORM C
10	SHW2303092	NYLOC NUT- FULL
11	SHW7403740	3 CHAIN COV. 8 LINKS
12	SHW7402971	FISHTAIL BRACKET
13	SHW7403618	3 CHAIN COV. 12 LINKS

ASSEMBLIES

SHW8003013	2 CHAIN DRAG COVERER LONG PLATE (SL)
SHW8002669	2 CHAIN DRAG COVERER 8 LINKS (NARROW ML)
SHW8003141	2 CHAIN DRAG COVERER 12 LINKS (WIDE ML)
SHW8003306	3 CHAIN DRAG COVERER 12 LINKS (NARROW ML)
SHW8003183	3 CHAIN DRAG COVERER 12 LINKS (WIDE ML)

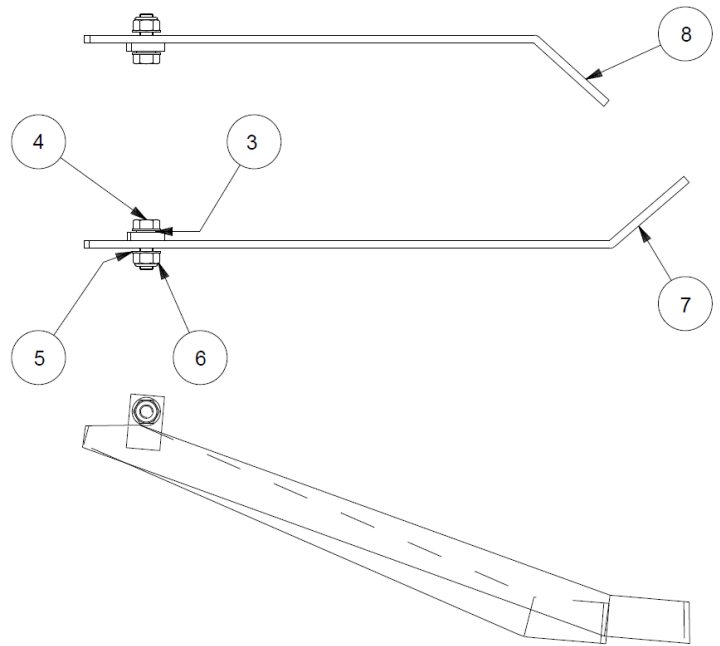
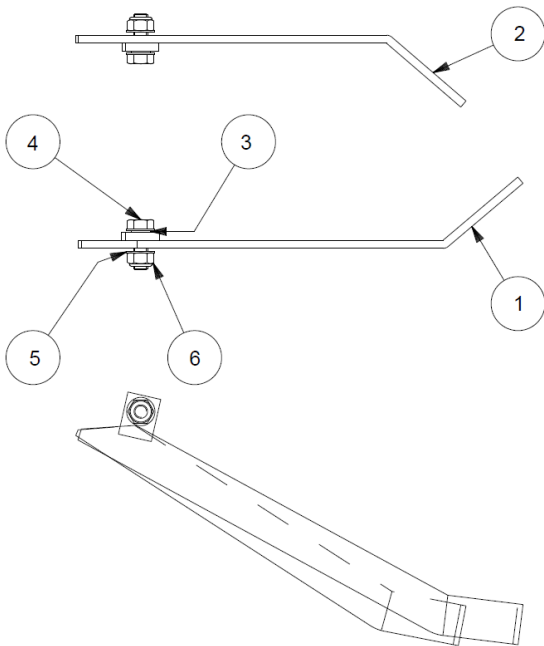


ARM COVERER OPTIONS

ITEM NUMBER	PART NUMBER	DESCRIPTION
1	SHW7403425	ARM COVERER LH
2	SHW7403426	ARM COVERER RH
3	SHW6902658	COVERER SPACER
4	SHW2309063	HEX SCREW
5	SHW2311112	FLAT WASHER FORM B
6	SHW2303109	NYLOC NUT- THIN
7	SHW7403530	ARM COVERER LH LONG
8	SHW7403468	ARM COVERER RH LONG

ASSEMBLIES

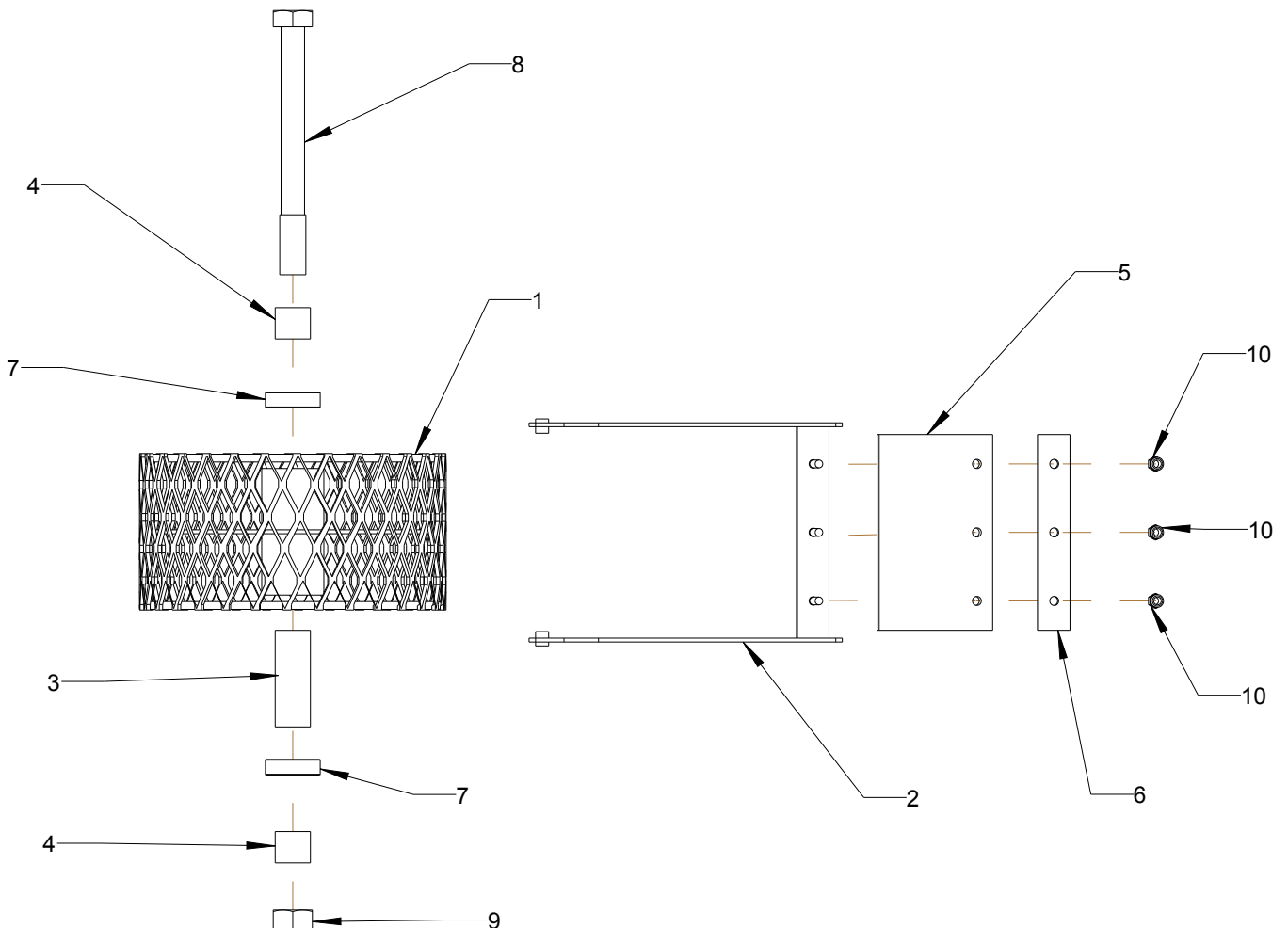
SHW8003004	ARM COVERER
SHW8003082	ARM COVERER LONG



ITEM NUMBER	PART NUMBER	DESCRIPTION
1	SHW7404548	120C WHEEL-W/A
	SHW7404090	160C WHEEL-W/A
2	SHW7404978	120C SCRAPER FRAME W/A
	SHW7404979	160C SCRAPER FRAME W/A
3	SHW6904721	120 C & S/S BRG SPACER
	SHW6904719	160 C&S/S BRG SPACER N
4	SHW6904722	120C S/S, MZP/MZP OUTER SPACER
	SHW6904720	160C & S/S OUTER SPACER
5	SHW6902609	120 CAGE WHEEL CLEANER
	SHW6902622	160 CAGE WHEEL CLEANER
6	SHW6902608	120 CLEANER CLAMP PLATE
	SHW6902621	160 CLEANER CLAMP PLATE
7	SHW1901049	6004-2RS BALL BEARING 20-42-12
8	SHW2306174	M20 X 190 GR 8.8 BOLT PLATED
9	SHW2303096	M20 NYLOC FULL P TYPE S/L NUT
10	SHW2303091	M6 NYLOC FULL P TYPE S/L NUT

ASSEMBLIES

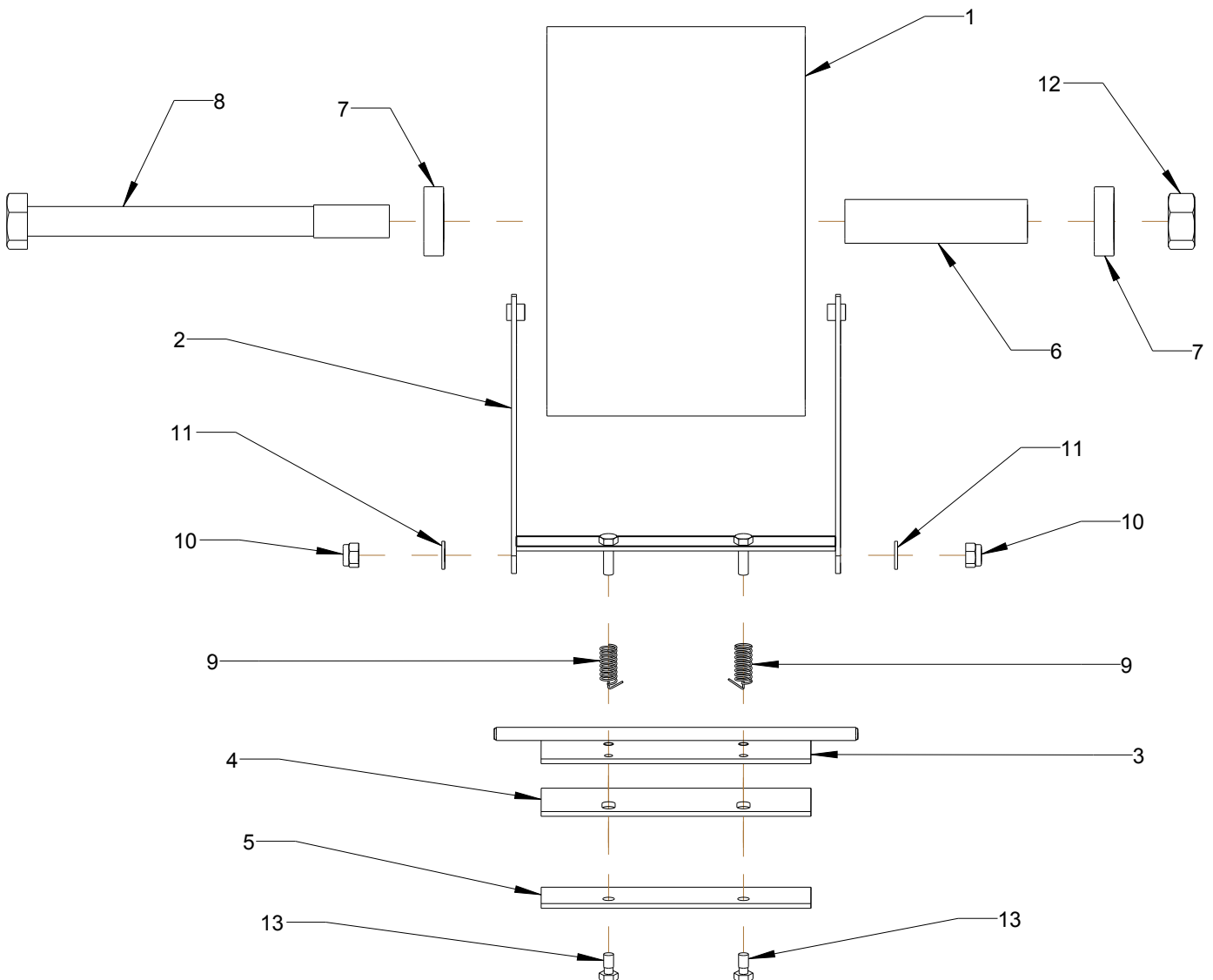
SHW8004104	120 CAGE WHEEL AND SCRAPER KIT
SHW8004105	160 CAGE WHEEL AND SCRAPER KIT



ITEM NUMBER	PART NUMBER	DESCRIPTION
1	SHW7404089	160S WHEEL-W/A
2	SHW7404976	160 SCRAPER FRAME W/A
3	SHW7403544	160 SCRAPER PIVOT-W/A
4	SHW6903169	160 SCRAPER BLADE
5	SHW6903172	160 SCRAPER CLAMP
6	SHW6904719	160 C&S/S BRG SPACER N
7	SHW1901049	6004-2RS BALL BEARING 20-42-12
8	SHW2306176	M20 X 220 GR 8.8 BOLT PLATED
9	SHW2701044	SCRAPER SPRING
10	SHW2303108	M8 NYLOC THIN T TYPE S/L NUT
11	SHW2311111	M8 PLN F/W NOR DIA LGT-FORM B
12	SHW2303096	M20 NYLOC FULL P TYPE S/L NUT
13	SHW2309032	M6 X 12 GR 8.8 SET SCREW PL

ASSEMBLIES

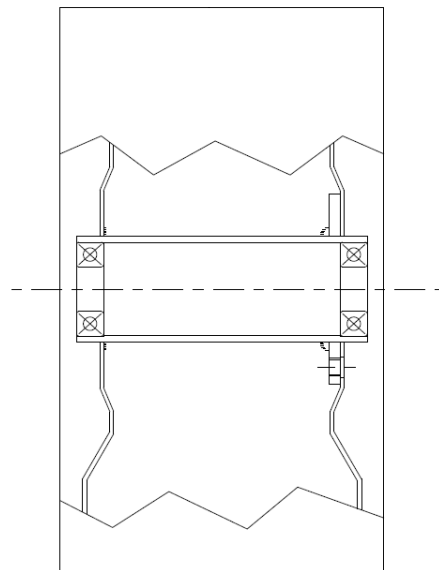
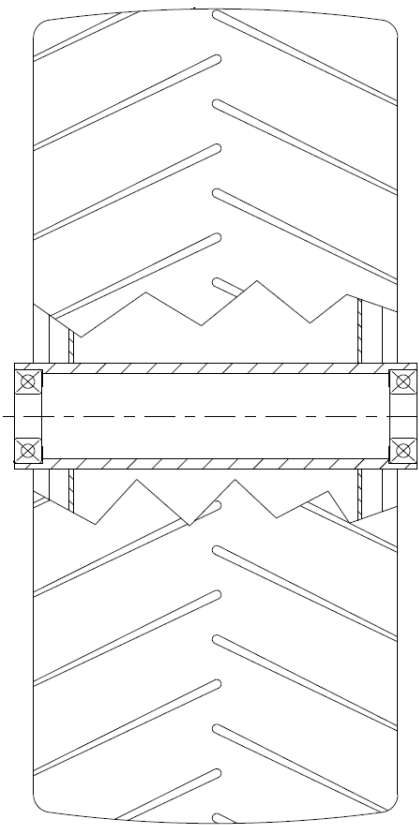
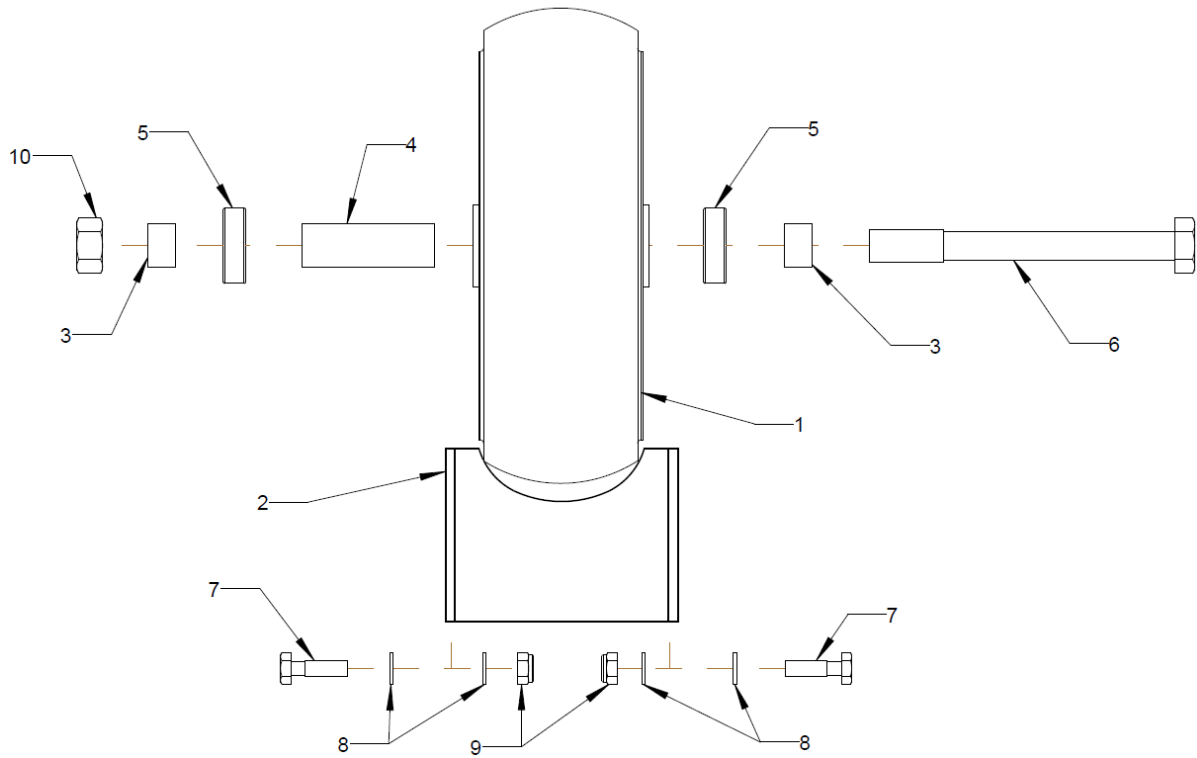
SHW8004102	160 STAINLESS STEEL WHEEL AND SCRAPER
------------	---------------------------------------



ITEM NUMBER	PART NUMBER	DESCRIPTION	WHEELS
1	SHW5700398	300X100 Z/P WHEEL ASSY S.W 650	FZP
	SHW5700422	250 X 145 ZP WHEEL	MZP
2	SHW5700387	370X165 ZP WHEEL FLAT	LZP
	SHW6904767	NEW STAR Z/P WHEEL SCRAPER	FZP
	SHW6904715	MZP SCRAPER BLADE	MZP
	SHW6904716	MZP SCRAPER SPACER	MZP
	SHW7404981	MZP SCRAPER FRAME R/H	MZP
	SHW7404982	MZP SCRAPER FRAME L/H	MZP
3	SHW6904729	SZP OUTER SPACER	FZP
	SHW6904722	120C S/S, MZP/MZP OUTER SPACER	MZP
	SHW6904575	WHEEL SPACER	LZP
4	SHW6904726	SZP BEARING SPACER	FZP
	SHW6904723	MZP BEARING SPACER	MZP
	SHW6903102	BEARING SPACER	LZP
5	SHW1901049	6004-2RS BALL BEARING 20-42-12	ALL
6	SHW2306174	M20 X 190 GR 8.8 BOLT PLATED	FZP
	SHW2306176	M20 X 220 GR 8.8 BOLT PLATED	L/MZP
7	SHW2306065	M10 X 35 GR 8.8 BOLT PLATED	FZP
	SHW2309067	M10 X 50 GR 8.8 SET SCREW PL	MZP
8	SHW2311090	M10 PLN F/W NOR DIA HVY-FORM A	FZP
	SHW2311112	M10 PLN F/W NOR DIA LGT-FORM B	MZP
9	SHW2303109	M10 NYLOC THIN T TYPE S/L NUT	F/MZP
10	SHW2303096	M20 NYLOC FULL P TYPE S/L NUT	ALL
11	SHW2311387	M20 P&C F/W NOR DIA HVY-FORM A	LZP

ASSEMBLIES

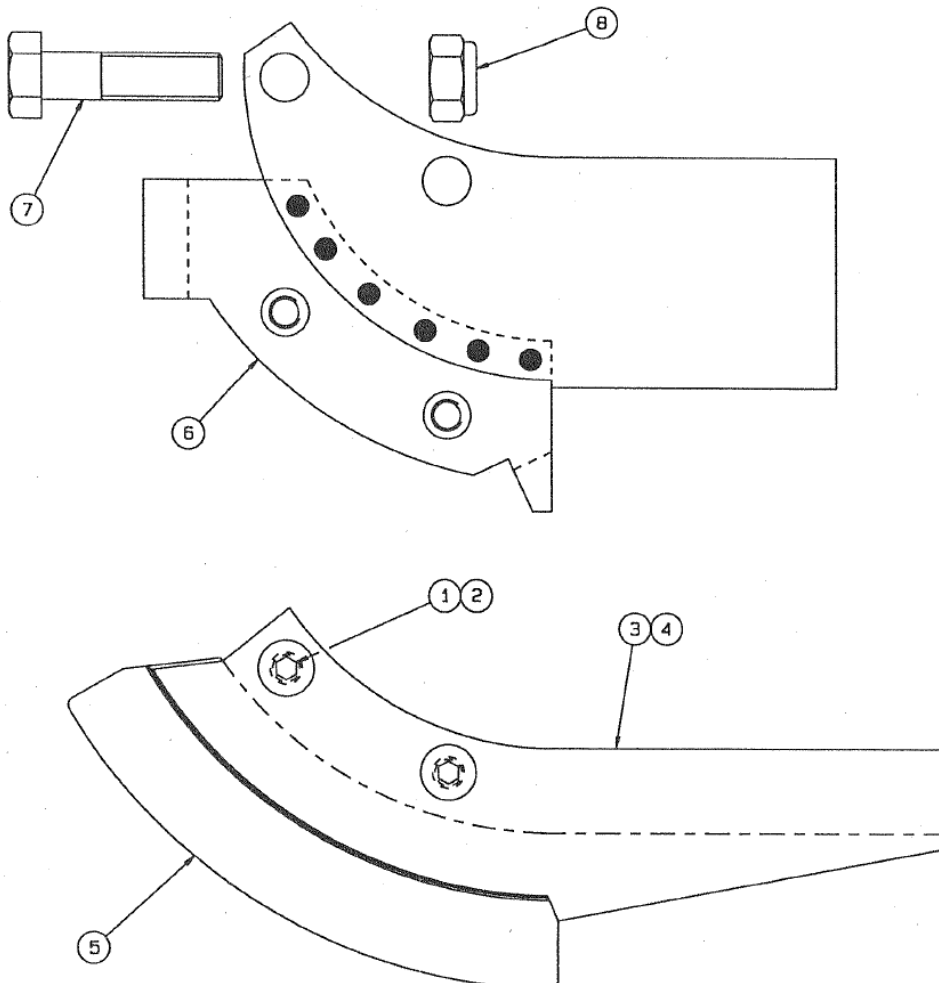
SHW8004124	FRONT ZERO PRESSURE WHEEL AND SCRAPER
SHW8004109	MEDIUM ZERO PRESSURE WHEEL AND SCRAPER
SHW8004110	LARGE ZERO PRESSURE WHEEL



ITEM NUMBER	PART NUMBER	DESCRIPTION
1	SHW2377079	SOCKET BUTTON SCREW
2	SHW6902351	COULTER SCREW BOSS
3	SHW3210176	COULTER SIDE R/H
4	SHW3210177	COULTER SIDE L/H
5	SHW3000495	COULTER INSERT- CAST IRON
	SHW8010030	COULTER INSERT- CERAMIC
6	SHW7404168	HYLINE ADAPTOR
7	SHW2306097	HEX BOLT
8	SHW2303110	NYLOC NUT- THIN

ASSEMBLIES

SHW8002617	COULTER KIT- CAST IRON
SHW8002550	COULTER KIT- CERAMIC
SHW8003407	COULTER KIT- TEK TIP
SHW8003510	HYLINE ADAPTOR KIT



SINGLE HYLINE NON STICK COULTER

PLASTIC

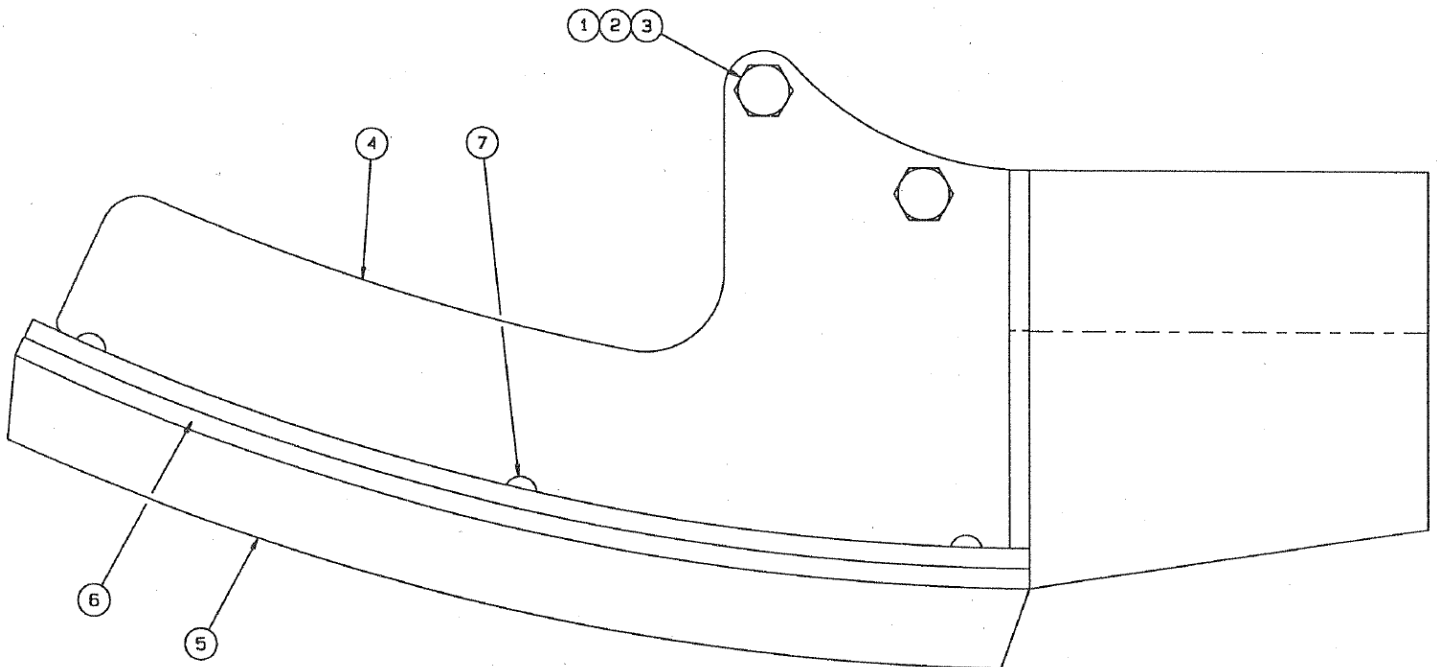
STANHAY

PRECISION SEEDERS

ITEM NUMBER	PART NUMBER	DESCRIPTION
1	SHW2306038	HEX BOLT
2	SHW2303007	HEX NUT
3	SHW6902652	COULTER SCREW SPACER
4	SHW7403663	SL NS COULTER BODY
5	SHW8010075	NS SHOE RIB- PLASTIC
6	SHW6903186	SL NS SHOE BASE
7	SHW2286008	SLOTTED HEAD SCREW

ASSEMBLIES

SHW7703504	NON STICK COULTER ASSEMBLY- PLASTIC
------------	-------------------------------------



SINGLE HYLINE NON STICK COULTER

CAST IRON

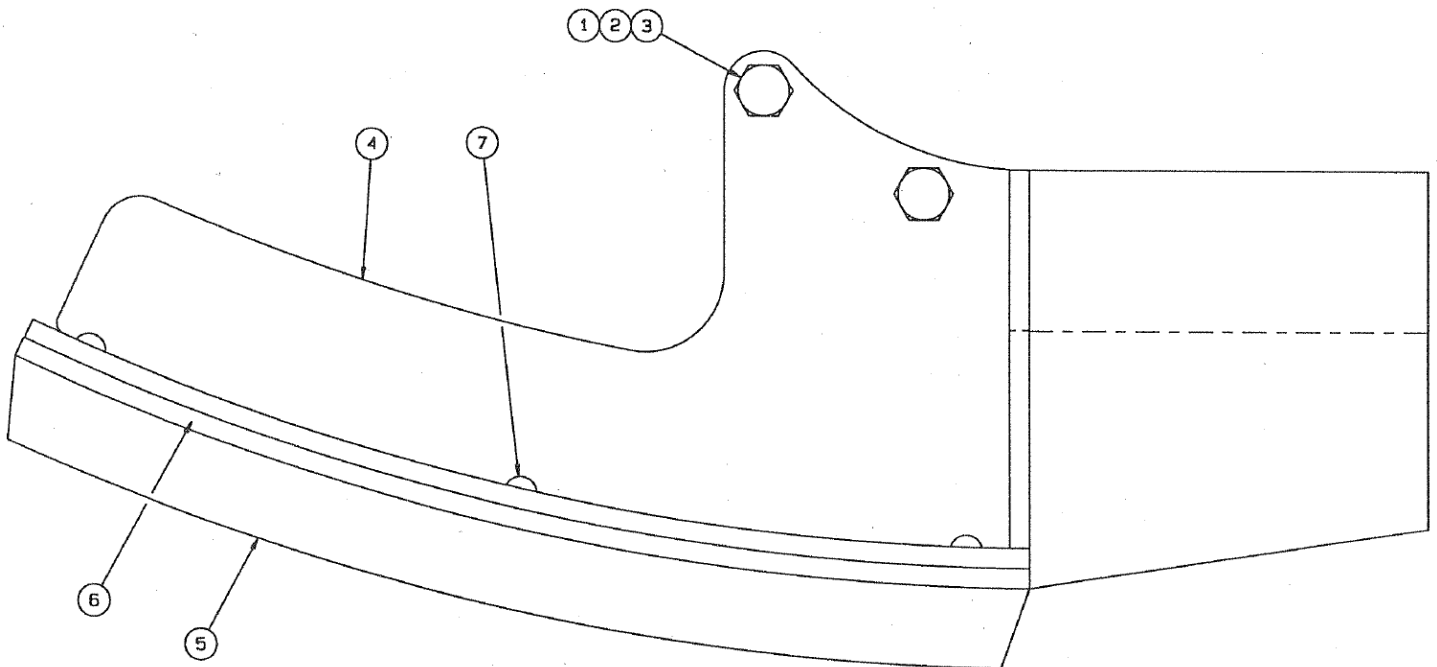
STANHAY

PRECISION SEEDERS

ITEM NUMBER	PART NUMBER	DESCRIPTION
1	SHW2306038	HEX BOLT
2	SHW2303007	HEX NUT
3	SHW6902652	COULTER SCREW SPACER
4	SHW7403663	SL NS COULTER BODY
5	SHW8010075	NS SHOE RIB- CAST IRON
6	SHW6903186	SL NS SHOE BASE
7	SHW2286008	SLOTTED HEAD SCREW

ASSEMBLIES

SHW7703505	NON STICK COULTER ASSEMBLY- CAST IRON
------------	---------------------------------------



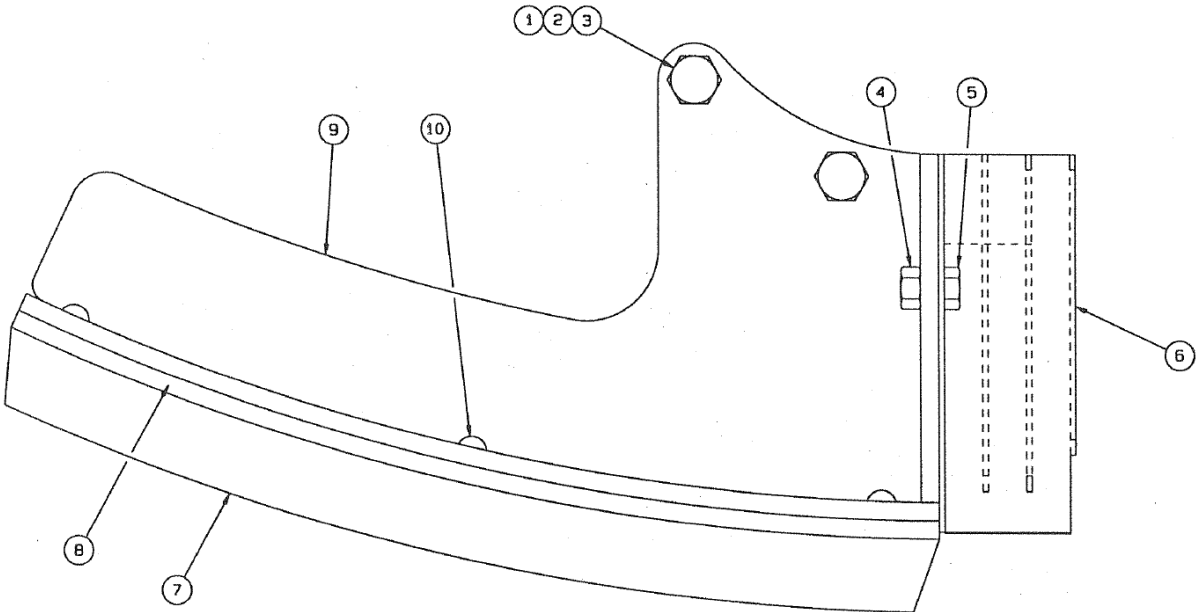
2 LINE HYLINE NON STICK COULTER
PLASTIC



ITEM NUMBER	PART NUMBER	DESCRIPTION
1	SHW2306038	HEX BOLT
2	SHW2303007	HEX NUT
3	SHW6902652	COULTER SCREW SPACER
4	SHW2303006	HEX NUT
5	SHW2309032	HEX SCREW
6	SHW7403420	65MM X 2 LINE CHUTE
	SHW7403418	75MM X 2 LINE CHUTE
	SHW7403414	100MM X 2 LINE CHUTE
	SHW7403513	125MM X 2 LINE CHUTE
	SHW7403469	150MM X 2 LINE CHUTE
7	SHW8010075	NS SHOE RIB- PLASTIC
8	SHW6903187	65MM X 2 LINE NS BASE
	SHW6903189	75MM X 2 LINE NS BASE
	SHW6903191	100MM X 2 LINE NS BASE
	SHW6903192	125MM X 2 LINE NS BASE
	SHW6903194	150MM X 2 LINE NS BASE
9	SHW7403462	65MM NS COULTER BODY
	SHW7403463	75MM NS COULTER BODY
	SHW7403464	100MM NS COULTER BODY
	SHW7403516	125MM NS COULTER BODY
	SHW7403465	150MM NS COULTER BODY
10	SHW2286008	SLOTTED HEAD SCREW

ASSEMBLIES

SHW7703308	65MM X 2 LINE NON STICK COULTER ASSEMBLY
SHW7703310	75MM X 2 LINE NON STICK COULTER ASSEMBLY
SHW7703312	100MM X 2 LINE NON STICK COULTER ASSEMBLY
SHW7703377	125MM X 2 LINE NON STICK COULTER ASSEMBLY
SHW7703314	150MM X 2 LINE NON STICK COULTER ASSEMBLY



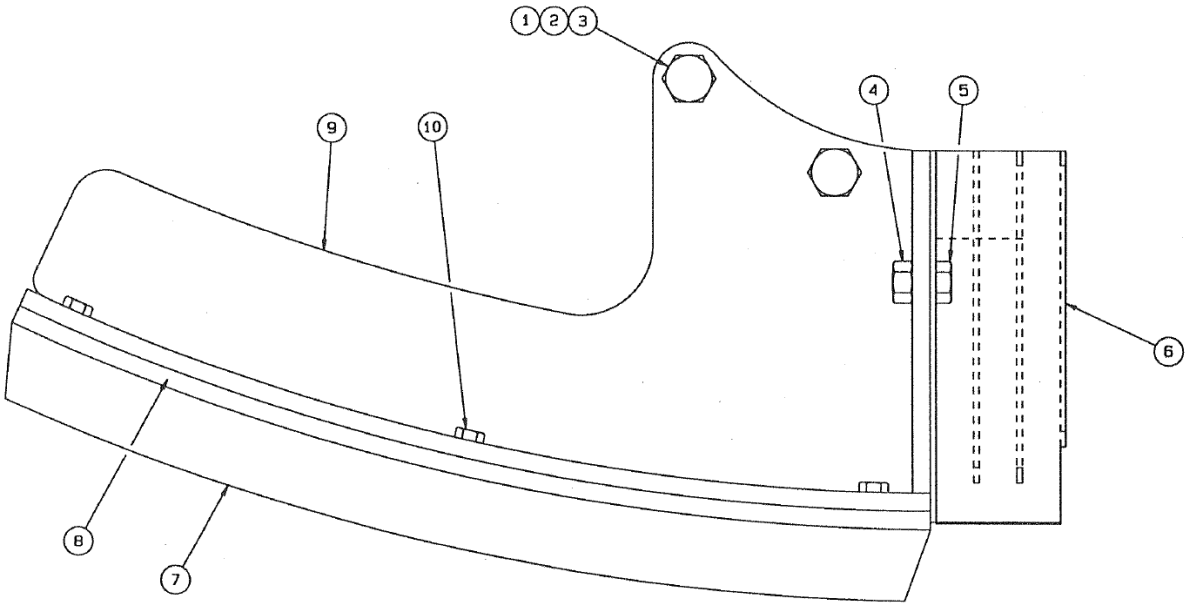
2 LINE HYLINE NON STICK COULTER
CAST IRON



ITEM NUMBER	PART NUMBER	DESCRIPTION
1	SHW2306038	HEX BOLT
2	SHW2303007	HEX NUT
3	SHW6902652	COULTER SCREW SPACER
4	SHW2303006	HEX NUT
5	SHW2309032	HEX SCREW
6	SHW7403420	65MM X 2 LINE CHUTE
	SHW7403418	75MM X 2 LINE CHUTE
	SHW7403414	100MM X 2 LINE CHUTE
	SHW7403513	125MM X 2 LINE CHUTE
	SHW7403469	150MM X 2 LINE CHUTE
7	SHW8010076	NS SHOE RIB- CAST IRON
8	SHW6903187	65MM X 2 LINE NS BASE
	SHW6903189	75MM X 2 LINE NS BASE
	SHW6903191	100MM X 2 LINE NS BASE
	SHW6903192	125MM X 2 LINE NS BASE
	SHW6903194	150MM X 2 LINE NS BASE
9	SHW7403462	65MM NS COULTER BODY
	SHW7403463	75MM NS COULTER BODY
	SHW7403464	100MM NS COULTER BODY
	SHW7403516	125MM NS COULTER BODY
	SHW7403465	150MM NS COULTER BODY
10	SHW2309015	HEX SCREW

ASSEMBLIES

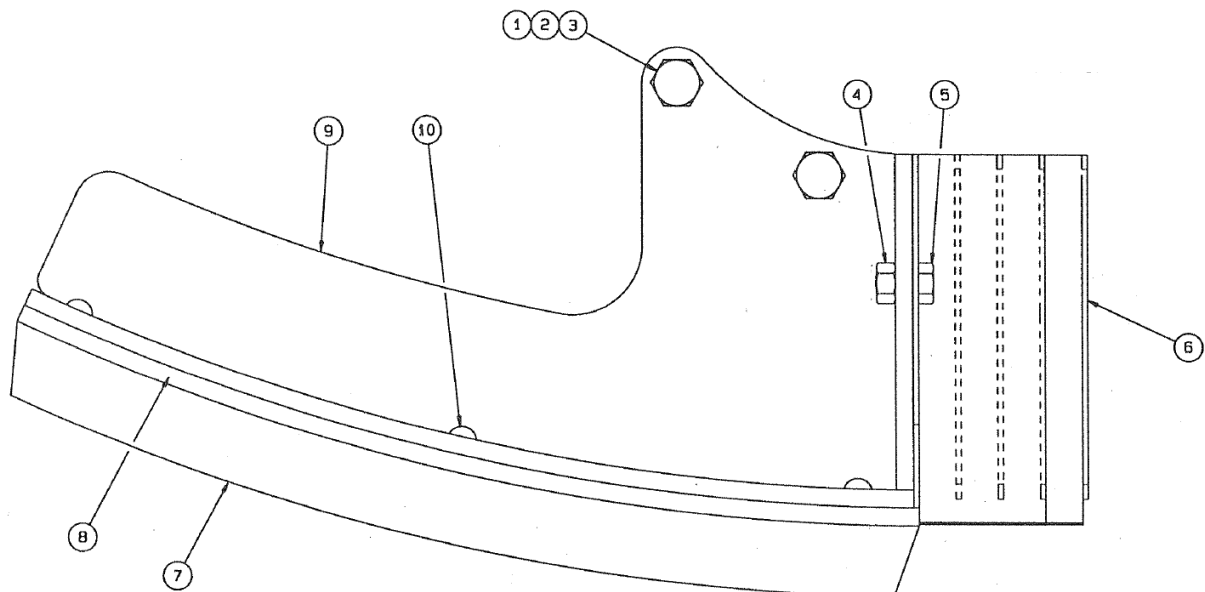
SHW7703514	65MM X 2 LINE NON STICK COULTER ASSEMBLY
SHW7703516	75MM X 2 LINE NON STICK COULTER ASSEMBLY
SHW7703518	100MM X 2 LINE NON STICK COULTER ASSEMBLY
SHW7703520	125MM X 2 LINE NON STICK COULTER ASSEMBLY
SHW7703522	150MM X 2 LINE NON STICK COULTER ASSEMBLY



ITEM NUMBER	PART NUMBER	DESCRIPTION
1	SHW2306038	HEX BOLT
2	SHW2303007	HEX NUT
3	SHW6902652	COULTER SCREW SPACER
4	SHW2303006	HEX NUT
5	SHW2309032	HEX SCREW
6	SHW7403419	65MM X 3 LINE CHUTE
	SHW7403417	75MM X 3 LINE CHUTE
	SHW7403413	100MM X 3 LINE CHUTE
	SHW7403514	125MM X 3 LINE CHUTE
	SHW7403428	150MM X 3 LINE CHUTE
7	SHW8010075	NS SHOE RIB- PLASTIC
8	SHW6903188	65MM X 3 LINE NS BASE
	SHW6903190	75MM X 3 LINE NS BASE
	SHW6903548	100MM X 3 LINE NS BASE
	SHW6903193	125MM X 3 LINE NS BASE
	SHW6903195	150MM X 3 LINE NS BASE
9	SHW7403462	65MM NS COULTER BODY
	SHW7403463	75MM NS COULTER BODY
	SHW7403464	100MM NS COULTER BODY
	SHW7403516	125MM NS COULTER BODY
	SHW7403465	150MM NS COULTER BODY
10	SHW2286008	SLOTTED HEAD SCREW

ASSEMBLIES

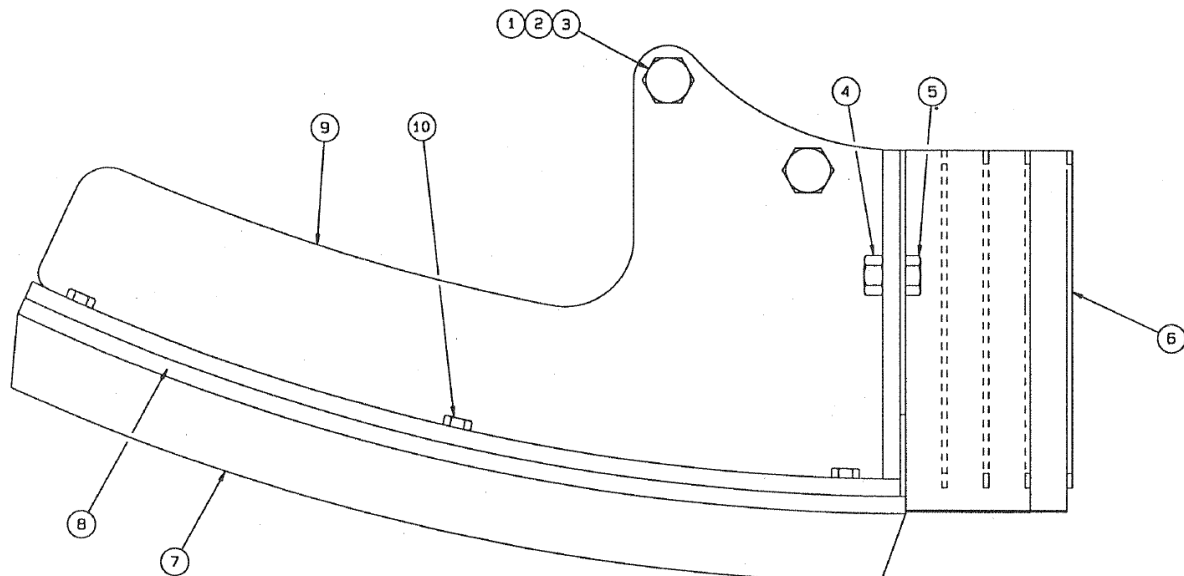
SHW7703309	65MM X 3 LINE NON STICK COULTER ASSEMBLY
SHW7703311	75MM X 3 LINE NON STICK COULTER ASSEMBLY
SHW7703715	100MM X 3 LINE NON STICK COULTER ASSEMBLY
SHW7703379	125MM X 3 LINE NON STICK COULTER ASSEMBLY
SHW7703315	150MM X 3 LINE NON STICK COULTER ASSEMBLY




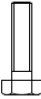

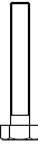

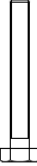
ITEM NUMBER	PART NUMBER	DESCRIPTION
1	SHW2306038	HEX BOLT
2	SHW2303007	HEX NUT
3	SHW6902652	COULTER SCREW SPACER
4	SHW2303006	HEX NUT
5	SHW2309032	HEX SCREW
6	SHW7403419	65MM X 3 LINE CHUTE
	SHW7403417	75MM X 3 LINE CHUTE
	SHW7403413	100MM X 3 LINE CHUTE
	SHW7403514	125MM X 3 LINE CHUTE
	SHW7403428	150MM X 3 LINE CHUTE
7	SHW8010076	NS SHOE RIB- PLASTIC
8	SHW6903188	65MM X 3 LINE NS BASE
	SHW6903190	75MM X 3 LINE NS BASE
	SHW6903548	100MM X 3 LINE NS BASE
	SHW6903193	125MM X 3 LINE NS BASE
	SHW6903195	150MM X 3 LINE NS BASE
9	SHW7403462	65MM NS COULTER BODY
	SHW7403463	75MM NS COULTER BODY
	SHW7403897	100MM NS COULTER BODY
	SHW7403516	125MM NS COULTER BODY
	SHW7403465	150MM NS COULTER BODY
10	SHW2309015	HEX SCREW

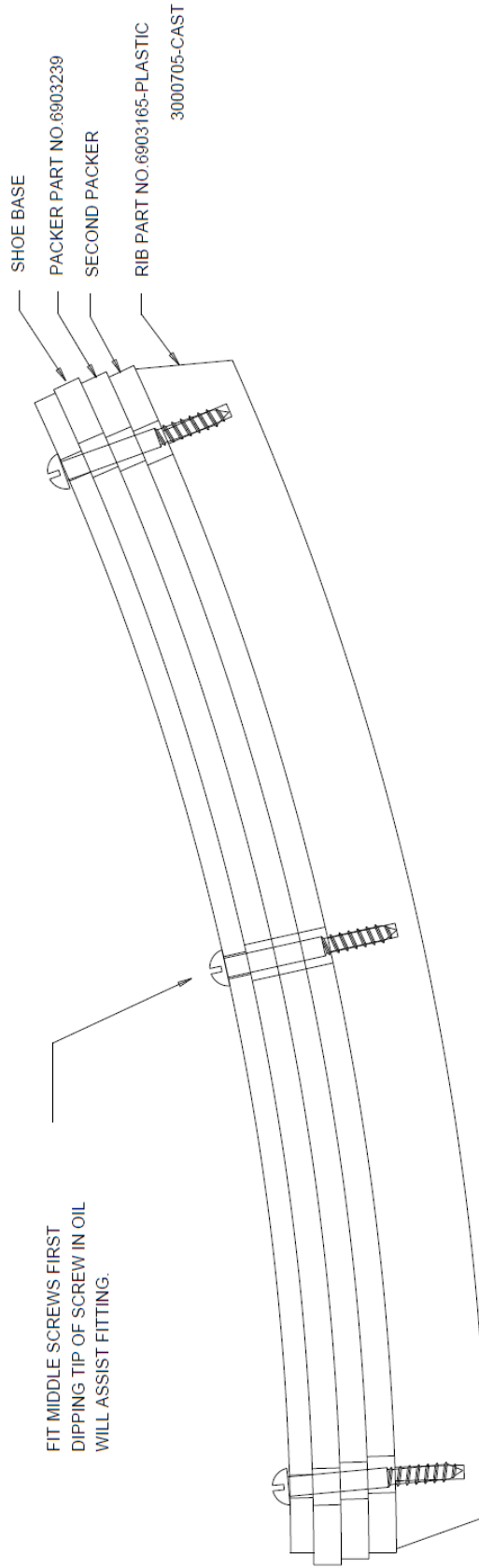
ASSEMBLIES

SHW7703515	65MM X 3 LINE NON STICK COULTER ASSEMBLY
SHW7703517	75MM X 3 LINE NON STICK COULTER ASSEMBLY
SHW7703917	100MM X 3 LINE NON STICK COULTER ASSEMBLY
SHW7703521	125MM X 3 LINE NON STICK COULTER ASSEMBLY
SHW7703523	150MM X 3 LINE NON STICK COULTER ASSEMBLY



COULTER RIB PACKERS

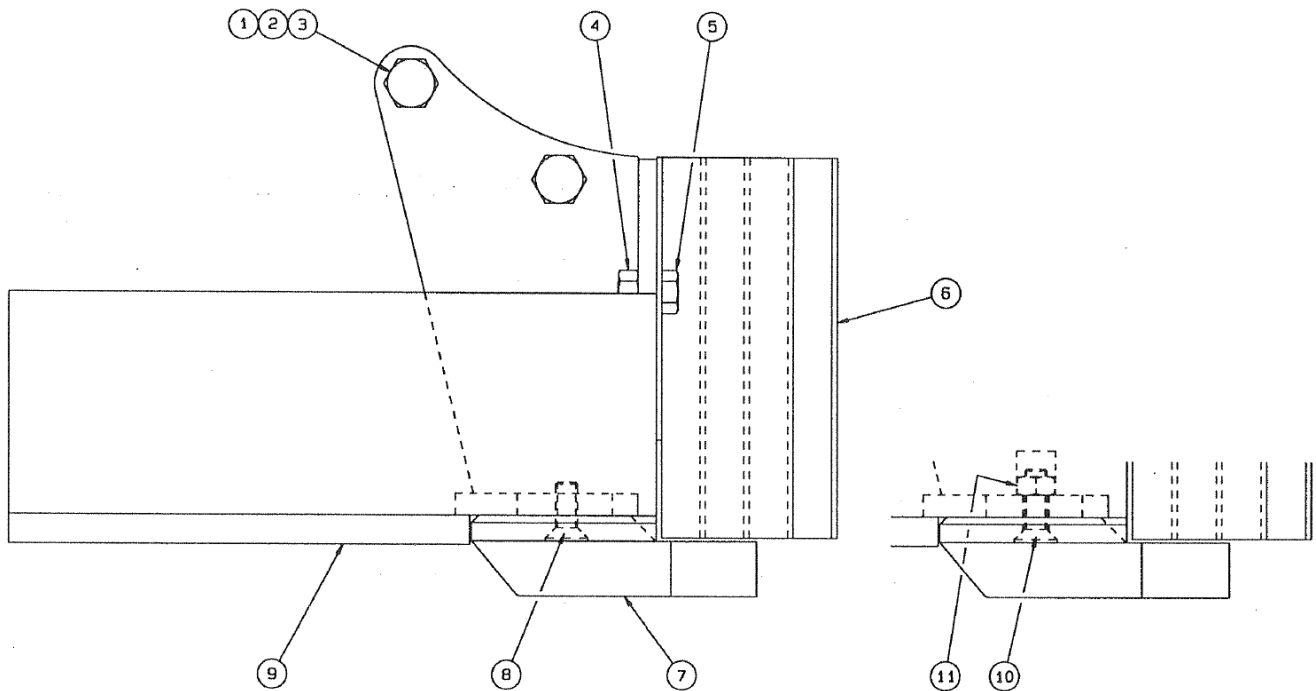
- | | | |
|---------|---|--|
| PLASTIC |  | 2286008 1 INCH X NO.8 ROUND HEAD SCREW -USE WITH NO PACKERS |
| CAST |  | 2309015 M4 X 16 SET SCREW |
| PLASTIC |  | 2286009 1.1/4 INCH X NO.8 ROUND HEAD SCREW -USE WITH ONE PACKER |
| CAST |  | 2309017 M4 X 25 SET SCREW |
| PLASTIC |  | 2286010 1.1/2 INCH X NO.8 ROUND HEAD SCREW -USE WITH TWO PACKERS |
| CAST |  | 2309018 M4 X 30 SET SCREW |



ITEM NUMBER	PART NUMBER	DESCRIPTION
1	SHW2306038	HEX BOLT
2	SHW2303007	HEX NUT
3	SHW6902652	COULTER SCREW SPACER
4	SHW2303006	HEX NUT
5	SHW2309032	HEX SCREW
6	SHW7403420	65MM X 2 LINE CHUTE
	SHW7403419	65MM X 2 LINE CHUTE
	SHW7403418	75MM X 3 LINE CHUTE
	SHW7403417	75MM X 3 LINE CHUTE
	SHW7403415	100MM X 3 LINE CHUTE
7	SHW8010048	65MM X 2 LINE BASE
	SHW8010049	65MM X 3 LINE BASE
	SHW8010073	75MM X 2 LINE BASE
	SHW8010074	75MM X 3 LINE BASE
	SHW8010050	100MM X 3 LINE BASE
8	SHW2376046	SOCKET COUNTERSUNK SCREW
9	SHW7403422	65MM COULTER BODY
	SHW7403521	75MM COULTER BODY
	SHW7403346	100MM COULTER BODY
10	SHW2376047	SOCKET COUNTER SUNK SCREW
11	SHW2303006	HEX NUT

ASSEMBLIES

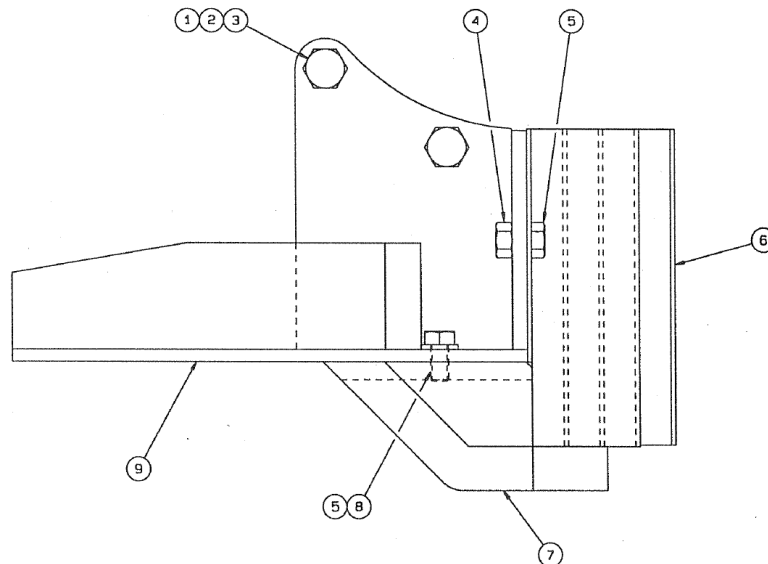
SHW7703271	65MM X 2 LINE SHALLOW FIN COULTER ASSEMBLY
SHW7703272	65MM X 3 LINE SHALLOW FIN COULTER ASSEMBLY
SHW7703384	75MM X 2 LINE SHALLOW FIN COULTER ASSEMBLY
SHW7703387	75MM X 3 LINE SHALLOW FIN COULTER ASSEMBLY
SHW7703214	100MM X 3 LINE SHALLOW FIN COULTER ASSEMBLY



ITEM NUMBER	PART NUMBER	DESCRIPTION
1	SHW2306038	HEX BOLT
2	SHW2303007	HEX NUT
3	SHW6902652	COULTER SCREW SPACER
4	SHW2303006	HEX NUT
5	SHW2309032	HEX SCREW
6	SHW7403418	75MM X 2 LINE CHUTE
	SHW7403417	75MM X 3 LINE CHUTE
	SHW7403414	100MM X 2 LINE CHUTE
	SHW7403413	100MM X 3 LINE CHUTE
	SHW7403513	125MM X 2 LINE CHUTE
	SHW7403514	125MM X 3 LINE CHUTE
	SHW7403428	150MM X 3 LINE CHUTE
7	SHW8010063	75MM X 2 LINE BASE
	SHW8010062	75MM X 3 LINE BASE
	SHW8010055	100MM X 2 LINE BASE
	SHW8010054	100MM X 3 LINE BASE
	SHW8010057	125MM X 2 LINE BASE
	SHW8010056	125MM X 3 LINE BASE
	SHW8010067	150MM X 3 LINE BASE
8	SHW2311133	FLAT WASHER- FORM C
9	SHW7403421	75MM COULTER BODY
	SHW7403344	100MM COULTER BODY
	SHW7403515	125MM COULTER BODY
	SHW7403350	150MM COULTER BODY

ASSEMBLIES

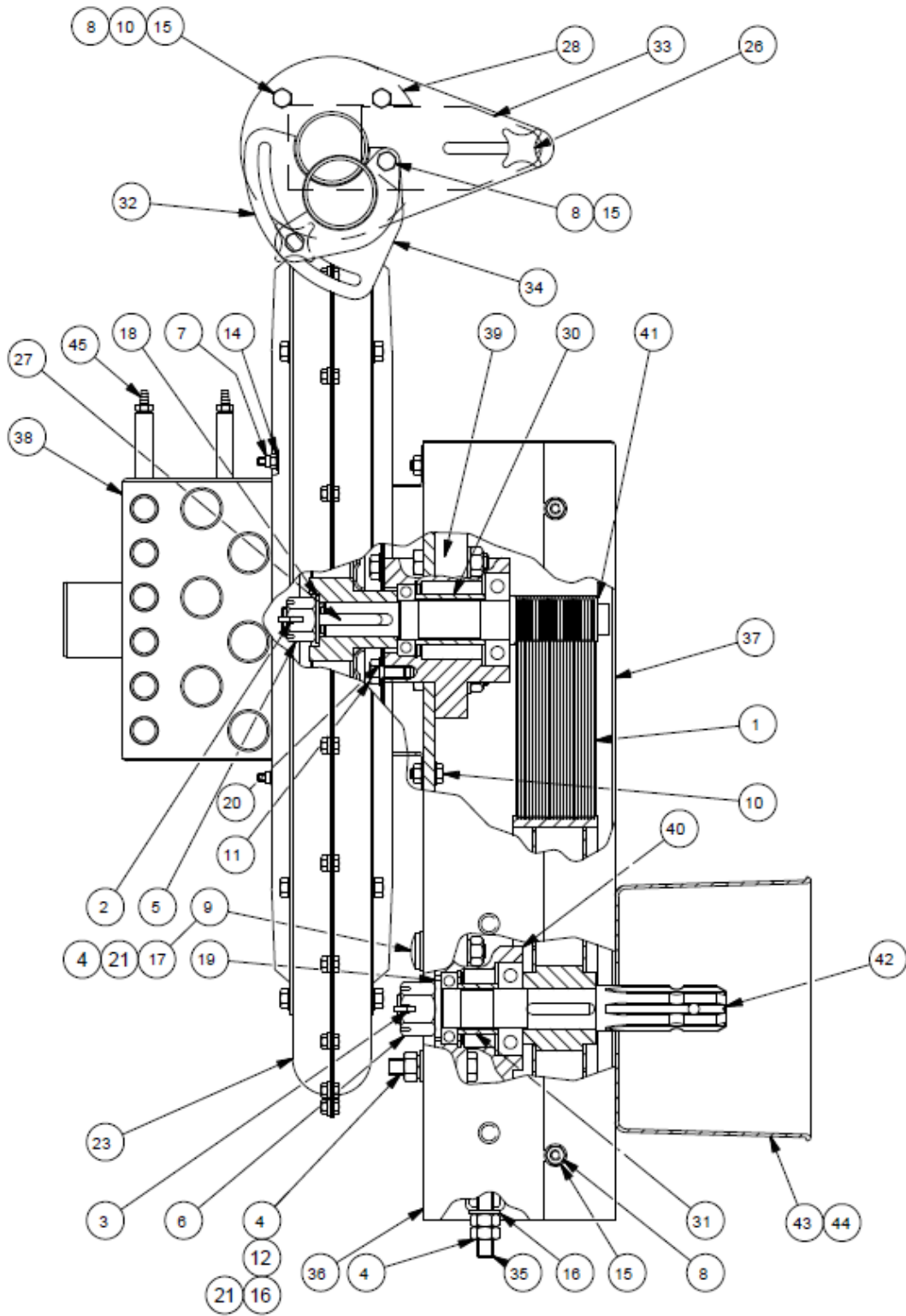
SHW7703263	75MM X 2 LINE DEEP FIN COULTER ASSEMBLY
SHW7703264	75MM X 3 LINE DEEP FIN COULTER ASSEMBLY
SHW7703267	100MM X 2 LINE DEEP FIN COULTER ASSEMBLY
SHW7703213	100MM X 3 LINE DEEP FIN COULTER ASSEMBLY
SHW7703381	125MM X 2 LINE DEEP FIN COULTER ASSEMBLY
SHW7703382	125MM X 3 LINE DEEP FIN COULTER ASSEMBLY
SHW7703216	150MM X 3 LINE DEEP FIN COULTER ASSEMBLY



26 RIB FAN

ITEM NUMBER	PART NUMBER	DESCRIPTION
1	SHW1323003	26 RIB POLY V BELT
	SHW1323004	26 RIB POLY V BELT
2	SHW2215587	SPLIT PIN
3	SHW2215613	SPLIT PIN
4	SHW2303009	HEX NUT
5	SHW2303078	SLOTTED NUT
6	SHW2303078	SLOTTED NUT
7	SHW2303091	NYLOC NUT- FULL
8	SHW2303092	NYLOC NUT- FULL
9	SHW2306515	COACH BOLT
10	SHW2309047	HEX SCREW
11	SHW2309061	HEX SCREW
12	SHW2309084	HEX SCREW
13	SHW2309094	HEX SCREW
14	SHW2311088	FLAT WASHER- FORM A
15	SHW2311089	FLAT WASHER- FORM A
16	SHW2311091	FLAT WASHER- FORM A
17	SHW2311092	FLAT WASHER- FORM A
18	SHW2311093	FLAT WASHER- FORM A
19	SHW2311094	FLAT WASHER- FORM A
20	SHW2311112	FLAT WASHER- FORM B
21	SHW2311217	SPRING WASHER
22	SHW2316012	HOSE CLIP
23	SHW4801007	FAN
24	SHW6402007	PLASTIC PLUG 1020 (P)
25	SHW6402041	PLASTIC PLUG 10154 (V)
26	SHW6404026	HANDWHEEL 302
27	SHW6413057	IMP./DRIVE SHAFT KEY
28	SHW6902526	VACUUM BAFFLE GUIDE
29	SHW6902592	PRESS FEED HOSE 1200L
30	SHW6903048	IMP SHAFT BEARING SPACER
31	SHW6903049	PTO SHAFT BEARING SPACER
32	SHW7403438	PRESSURE OUTLET WA
33	SHW7403439	VAC. BAFFLE PLATE WA
34	SHW7403440	PRESSURE ADJUSTER WA
35	SHW7403441	BELT TENSIONER WA
36	SHW7403442	FAN DRIVE CASE WA
37	SHW7403943	DRIVE COVER PLATE WA
38	SHW7403444	12 PORT AIR MANIFOLD
	SHW7403628	18 PORT AIR MANIFOLD
39	SHW7703499	TOP BRG HOUSING ASSY
40	SHW7703500	BOTTOM BRG HOUSING ASSY
41	SHW7703295	IMP. SHAFT- 26R- 540 PTO
	SHW7703410	IMP. SHAFT- 26R- 1000 PTO
42	SHW7703296	540 PTO SHAFT/PULLEY
	SHW7703394	1000 PTO SHAFT/PULLEY
43	SHW6903491	PTO GUARD SHIELD
44	SHW2390083	ROOFING BOLT
45	SHW4107124	FIRTREE HOSE CONNECTOR

26 RIB FAN



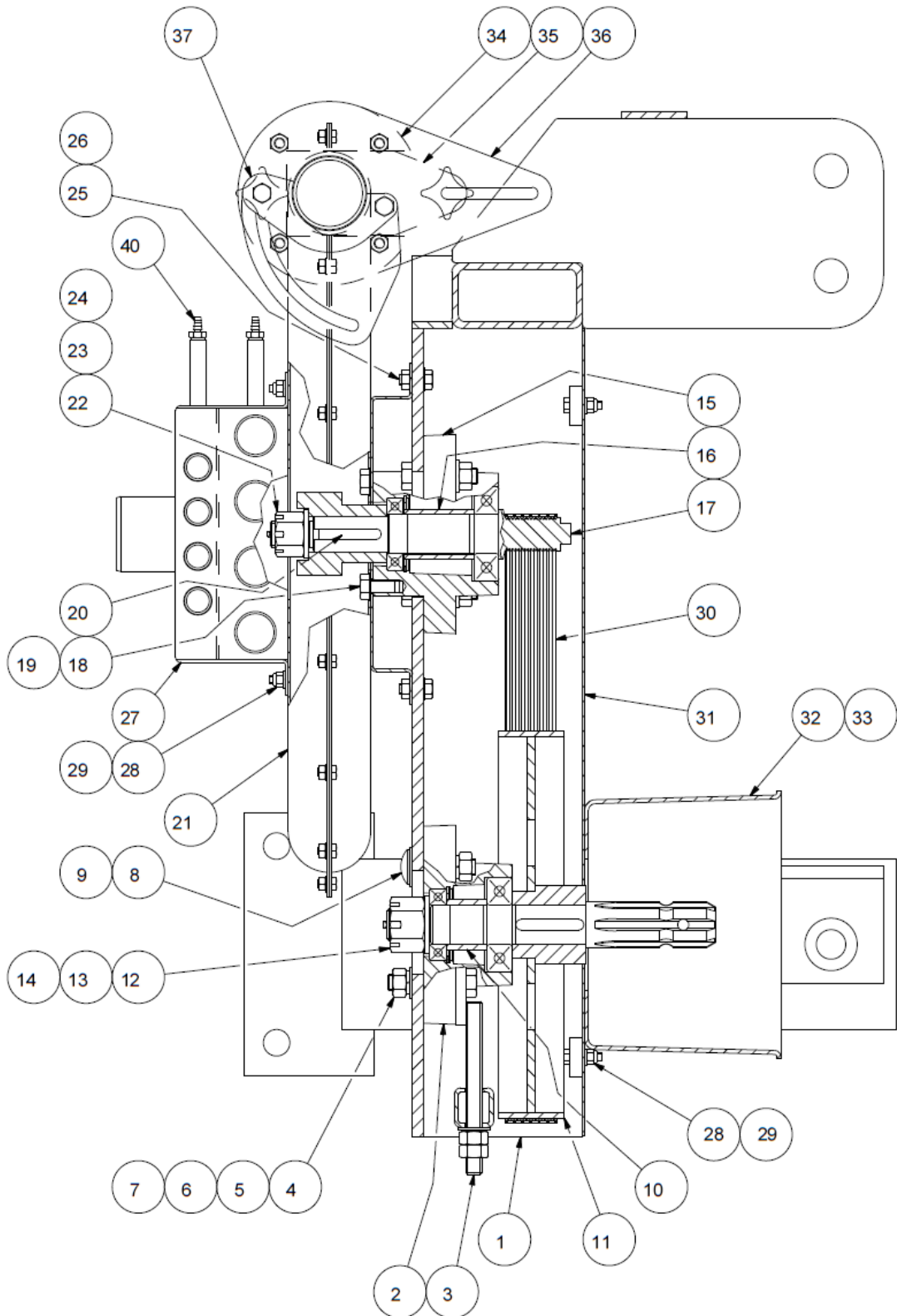
ASSEMBLIES

SHW7703297	540 PTO SPEED
SHW7703411	1000 PTO SPEED

17 RIB FAN

ITEM NUMBER	PART NUMBER	DESCRIPTION
1	SHW7403687	CAT 2 HEADSTOCK WA
2	SHW7703500	BOTTOM BRG HOUSING
3	SHW7403441	BELT TENSIONER WA
4	SHW2309084	HEX SCREW
5	SHW2303009	HEX NUT
6	SHW2311091	FLAT WASHER- FORM A
7	SHW2311217	SPRING WASHER
8	SHW2306515	COACH BOLT
9	SHW2311114	FLAT WASHER- FORM B
10	SHW6903049	PTO SHAFT BRG SPACER
11	SHW7703545	PTO SHAFT/PULL ASSY
12	SHW2303079	SLOTTED NUT
13	SHW2311094	FLAT WASHER- FORM A
14	SHW2215613	SPLIT PIN
15	SHW7703499	TOP BRG HOUSING ASSY
16	SHW6903048	IMP SHAFT SPACER
17	SHW7703544	IMP SHAFT ASSY 17R
18	SHW2309061	HEX SCREW
19	SHW2311112	FLAT WASHER- FORM B
20	SHW6413057	IMP/DRIVE SHAFT KEY
21	SHW4801008	FAN
22	SHW2303078	SLOTTED NUT
23	SHW2311093	FLAT WASHER- FORM A
24	SHW2215587	SPLIT PIN
25	SHW2309047	HEX SCREW
26	SHW2311089	FLAT WASHER- FORM A
27	SHW7403688	AIR MANIFOLD WA
28	SHW2303091	NYLOC NUT- FULL
29	SHW2311088	FLAT WASHER- FORM A
30	SHW1323005	17 RIB POLY V BELT
31	SHW7403944	DR C/PLATE- 780/650
32	SHW6903491	PTO GUARD SHIELD
33	SHW2390083	ROOFING BOLT
34	SHW6902526	VACUUM BAFFLE GUIDE
35	SHW7403439	VAC. BAFFLE PLATE WA
36	SHW7403438	PRESSURE OUTLET WA
37	SHW7403440	PRESSURE ADJUSTER WA
38	SHW2303092	NYLOC NUT- FULL
39	SHW6404026	HANDWHEEL 302
40	SHW4107124	FIRTREE HOSE CONNECTOR
41	SHW6404026	PLASTIC PLUG 1020
42	SHW6402041	PLASTIC PLUG 10154
43	SHW6406307	LABEL- 540 RPM MAX
44	SHW6406325	LABEL- STANHAY LOGO
45	SHW6406328	LABEL- FORM SW101
46	SHW2314754	LINCH PIN
47	SHW2314810	CAT 1/2 LOWER LINK PIN
48	SHW2314811	CAT 1/2 LOWER LINK CONV
49	SHW6903705	PRESS FEED HOSE- 900L
50	SHW2316012	PRESS FEED HOSE CLIP

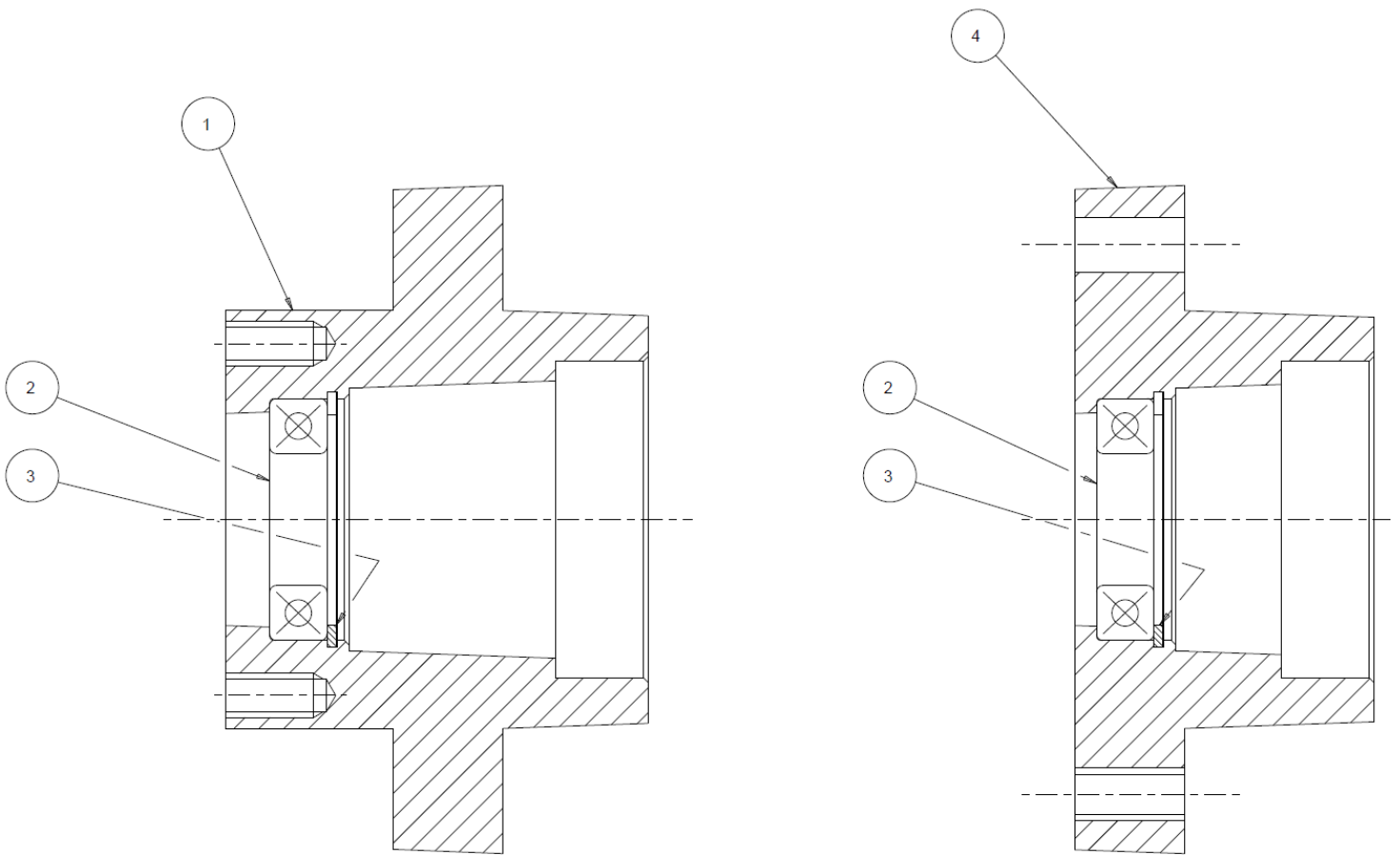
17 RIB FAN



ASSEMBLIES

SHW7703546	17 RIB FAN/HEADSTOCK
------------	----------------------

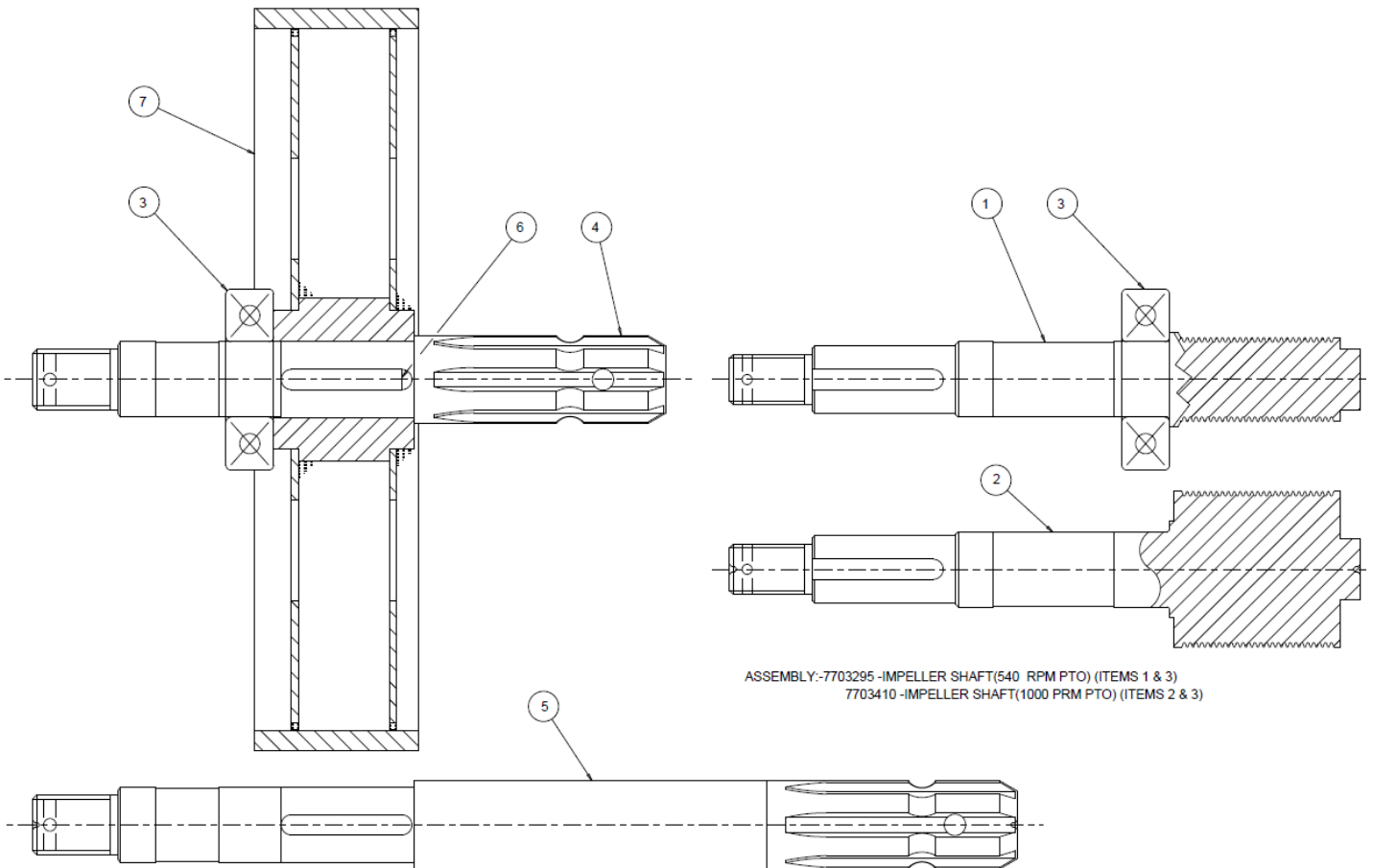
ITEM NUMBER	PART NUMBER	DESCRIPTION
1	SHW3000709	IMP. SHAFT HOUSING
2	SHW1901051	BALL BEARING
3	SHW2217208	INTERNAL CIRCLIP
4	SHW3000711	PTO SHAFT HOUSING



ASSEMBLY:-7703499 TOP BEARING HOUSING

ASSEMBLY:-7703500 BOTTOM BEARING HOUSING

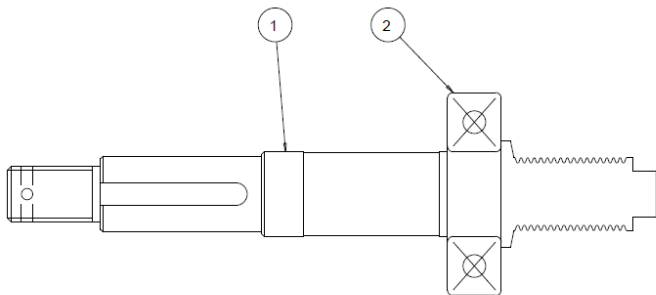
ITEM NUMBER	PART NUMBER	DESCRIPTION
1	SHW6903047	IMP. SHAFT- 26R-540 PTO
2	SHW6903174	IMP. SHAFT- 26R- 1000 PTO
3	SHW1901161	BALL BEARING
4	SHW6903046	PTO DRIVE. SHAFT- TOOL BAR
5	SHW6903162	PTO DRIVE. SHAFT- YOKE BAR
6	SHW6413057	IMP. DRIVE SHAFT KEY
7	SHW7403445	PTO PULLEY



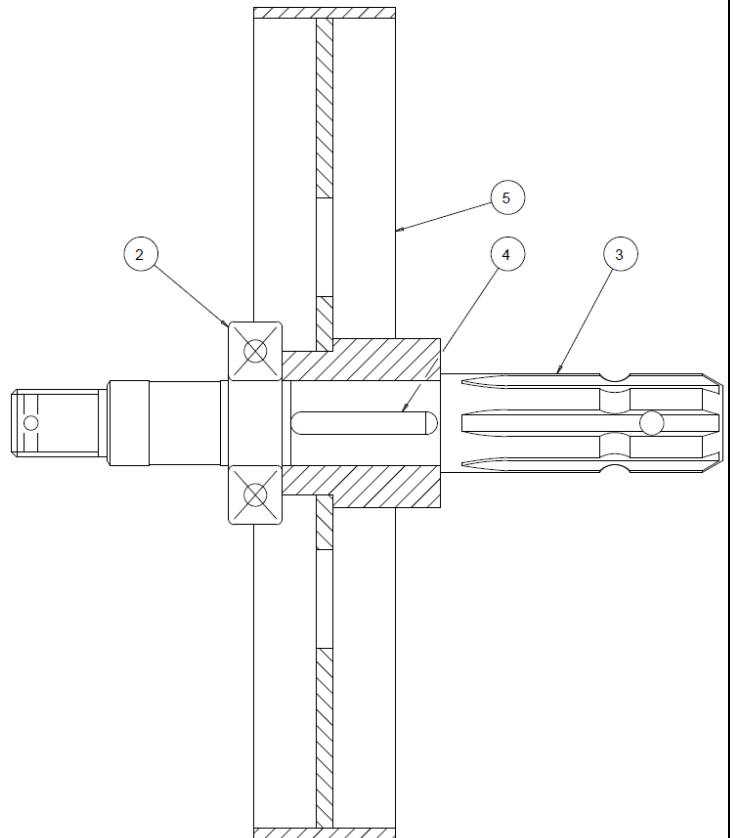
ASSEMBLY:-7703295 -IMPELLER SHAFT(540 RPM PTO) (ITEMS 1 & 3)
7703410 -IMPELLER SHAFT(1000 PRM PTO) (ITEMS 2 & 3)

ASSEMBLY:-7703296 -PTO SHAFT & PULLEY(TOOL BAR) (ITEMS 3,4,6,7)
7703394 -PTO SHAFT & PULLEY(YOKE BAR) (ITEMS 3,5,6,7)
NOTE-FOR HYDRAULIC DRIVE ON YOKE BAR,USE 7703296.

ITEM NUMBER	PART NUMBER	DESCRIPTION
1	SHW6903303	IMP. SHAFT- 17 GROOVES
2	SHW1901161	BALL BEARING
3	SHW6903046	PTO DRIVE SHAFT
4	SHW6413057	IMP./DRIVE SHAFT KEY
5	SHW7403689	PTO PULLEY WA



ASSEMBLY:-7703544 IMPELLER SHAFT

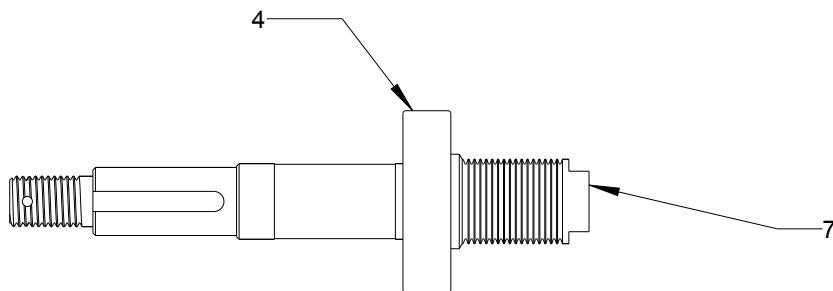
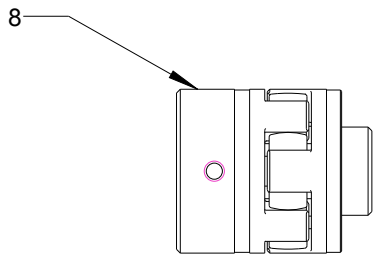
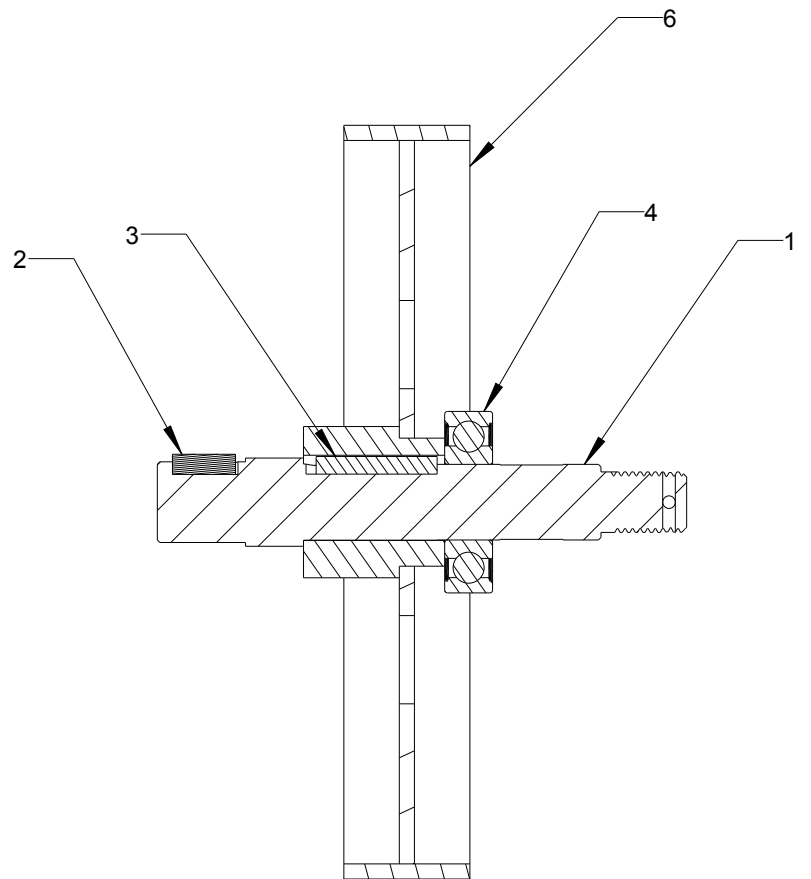
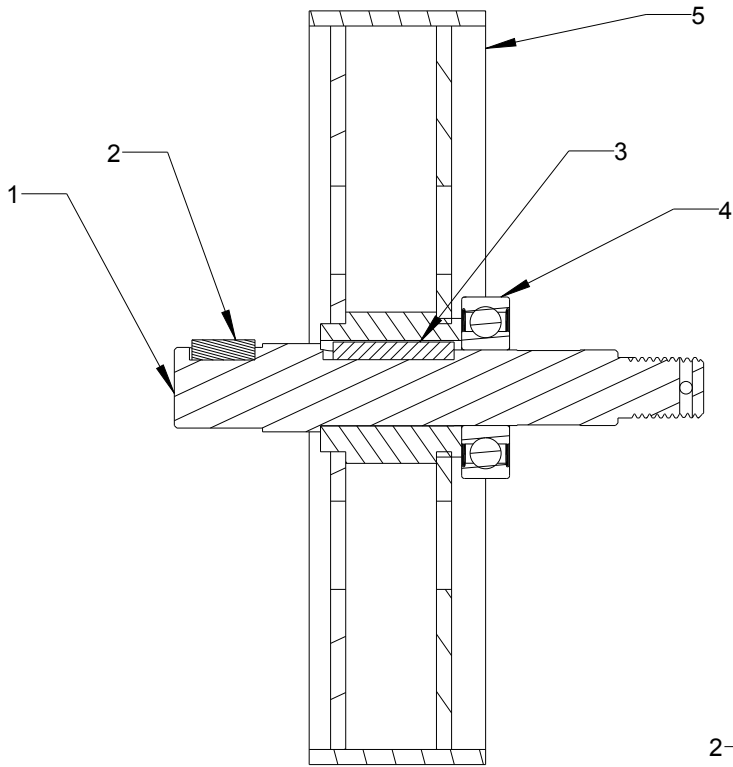


ASSEMBLY:-7703545 PTO SHAFT & PULLEY

ITEM NUMBER	PART NUMBER	DESCRIPTION
1	SHW6903052	HYD PULLEY DRIVE SHAFT
2	SHW6413058	FEATHERED KEY
3	SHW6413057	DRIVE KEY
4	SHW1901161	BALL BRG
5	SHW7403445	26 RIB PULLEY
6	SHW7403689	17 RIB PULLEY
7	SHW6900068	HYD IMP SHAFT
8	SHW6401008	KTR TAPERED COUPLING

ASSEMBLIES

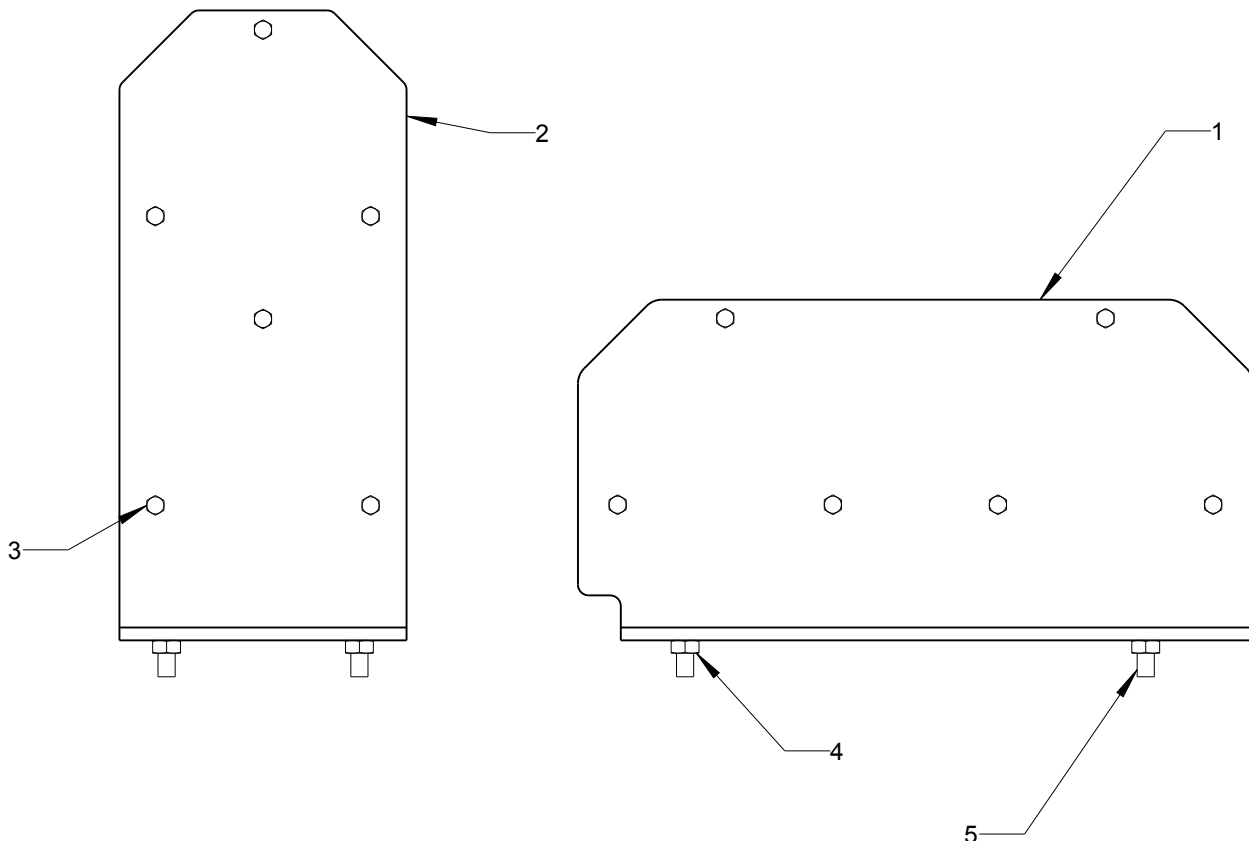
ITEM NUMBER	PART NUMBER	DESCRIPTION
1,2,3,4,5	SHW7700016	26 RIB HYD PULLEY
1,2,3,4,6	SHW7700027	17 RIB HYD PULLEY
7,4	SHW7700025	17 RIB HYD IMPELLER



ITEM NUMBER	PART NUMBER	DESCRIPTION	QTY
1	SHW6904181	VAC & PRESS GAUGE BRACKET	1
2	SHW6904368	VAC/PRESS GAUGE BRACKET	1
3	SHW2309023	M5 X 16 GR 8.8 SET SCREW PL	6
4	SHW2303007	M8 GR.8 HEX NUT PLATED	2
5	SHW2309047	M8 X 20 GR 8.8 SET SCREW PL	2
NOT SHOWN	SHW2309090	M5 NYLOC FULL P TYPE S/L NUT	6
NOT SHOWN	SHW4300027	PNEUM.POLYURETHANE 6 OD X 4 ID	5
NOT SHOWN	SHW4803011	VACUUM/PRESSURE GAUGE 0-100MB	2
NOT SHOWN	SHW6406326	S/A LABEL-'V'(FOR VAC.GAUGE)	1
NOT SHOWN	SHW6406327	S/A LABEL-'P'(FOR PRESS.GAUGE)	1

ASSEMBLIES

SHW8003157	VACUUM AND PRESSURE GAUGE KIT (HORIZONTAL)
SHW8003867	VACUUM AND PRESSURE GAUGE KIT (VERTICAL)



TOOLBARS AND SHAFTS



100 10T TOOLBARS

- 6903477FV 3.50M
- 6903478FV 4.00M
- 6903475FV 4.50M
- 6902748FV 5.00M
- 6902749FV 5.50M
- 6902917FV 6.10M
- 6903163FV 6.50M
- 6903353FV 7.00M
- 6903302FV 8.00M

180 6.3T TOOLBARS

- 6904158FV 3.50M
- 6904159FV 4.00M
- 6904160FV 4.50M
- 6904161FV 5.00M
- 6904162FV 5.50M
- 6904163FV 6.00M
- 6904164FV 6.50M

100 5T TOOLBARS

- 6904187FV 1.40M
- 6902856FV 1.50M
- 6902857FV 2.00M
- 6903127FV 2.15M
- 6902743FV 2.50M
- 6902929FV 2.70M
- 6902744FV 3.00M
- 6902745FV 3.50M
- 6902746FV 4.00M
- 6902747FV 4.50M

SHAFTS

- 6903887TV 0.75M
- 6904188TV 1.00M
- 6903888TV 1.10M
- 6903943TV 1.25M
- 6903439TV 1.30M
- 6904083TV 1.32M
- 6903262TV 1.40M
- 6902102TV 1.50M
- 6903263TV 1.60M
- 6903241TV 1.72M
- 6903201TV 1.80M
- 6902469TV 2.00M
- 6903222TV 2.15M
- 6903357TV 2.50M
- 6902251TV 2.75M
- 6903828TV 2.80M
- 6904082TV 2.88M
- 6902920TV 3.00M
- 6903262TV 3.50M
- 7000055TV 3.75M
- 6902921TV 4.00M
- 7000091TV 4.30M
- 6902232TV 4.58M

LOCKING COLLAR

MUFF COUPLING

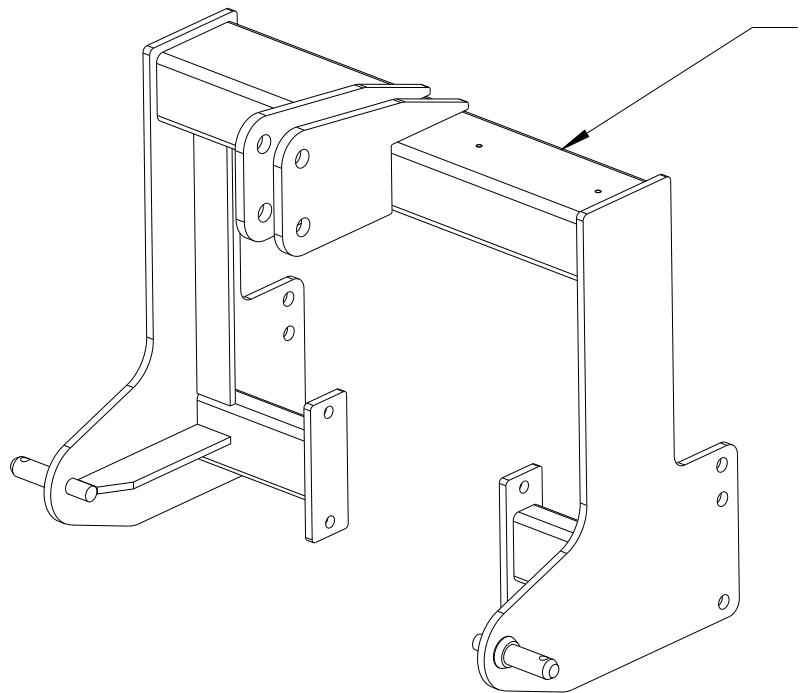
SHW7703757

SHW7700089

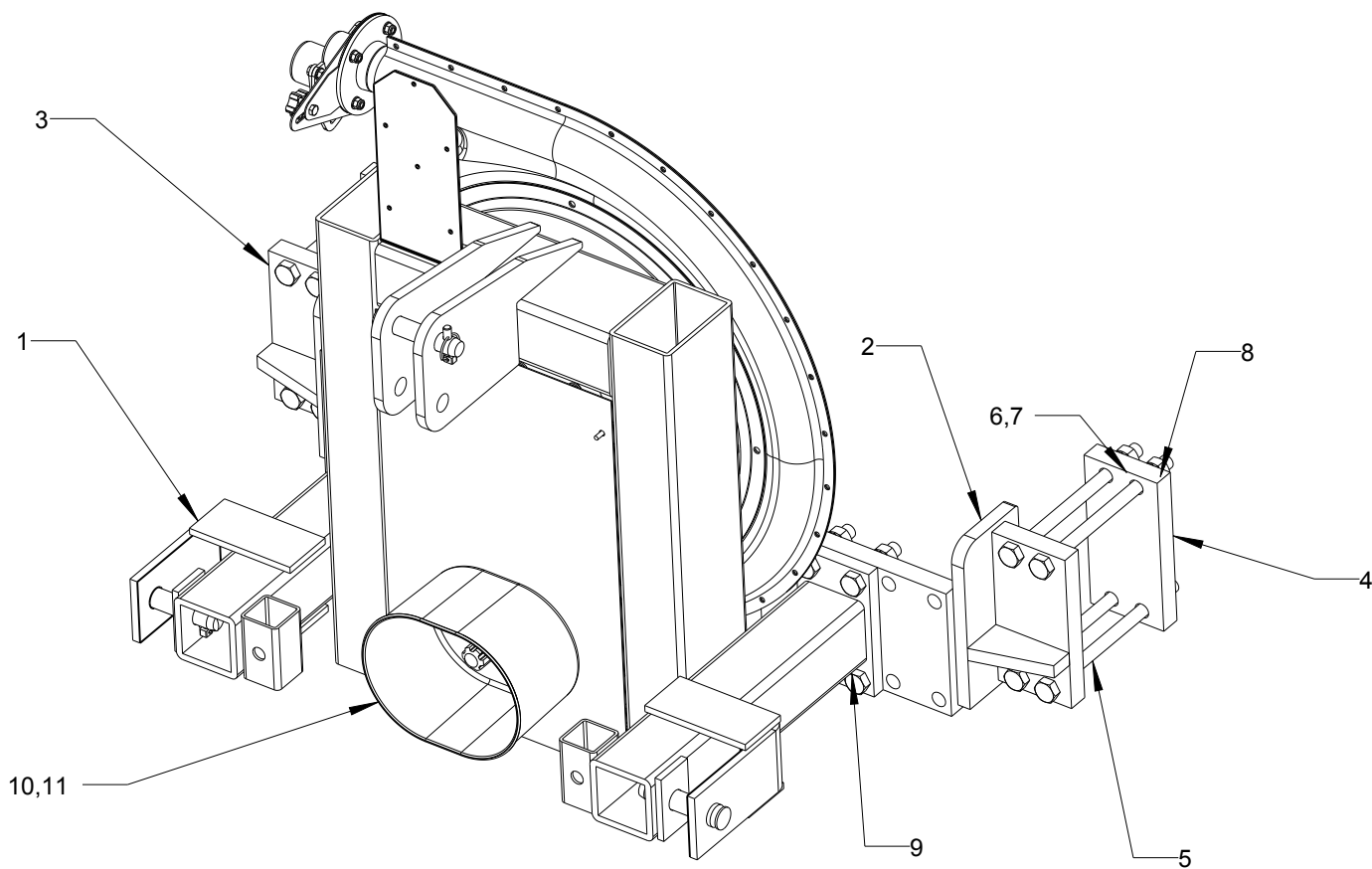
HEADSTOCK OPTIONS

SHW7403446

ITEM NUMBER	PART NUMBER	DESCRIPTION
1	SHW7403446	CAT 2 HEADSTOCK



ITEM NUMBER	PART NUMBER	DESCRIPTION
1	SHW7403962	HEAVY DUTY CAT 2 HEADSTOCK
2	SHW7404961	HS BRACKET LH
3	SHW7404960	HS BRACKET RH
4	SHW6904610	CLASP PLATE 180
5	SHW2306179	M20 HEX BOLT
6	SHW2311093	M20 WASHER- FORM A
7	SHW2311219	M20 SPRING WASHER
8	SHW2303011	M20 HEX NUT
9	SHW2306164	M20 HEX BOLT
10	SHW6903491	PTO GUARD
11	SHW2390083	ROOF BOLT



ITEM NUMBER	PART NUMBER	DESCRIPTION
1	SHW7403687	17 RIB HEADSTOCK
2	SHW7403331	HS BRACKET LH
3	SHW7403332	HS BRACKET RH
4	SHW6902555	CLASP PLATE 100
5	SHW2306174	M20 HEX BOLT
6	SHW2311093	M20 WASHER-FORM A
7	SHW2303096	M20 NYLOC NUT
8	SHW2309108	M20 HEX BOLT
9	SHW6903491	PTO GUARD
10	SHW2390083	ROOF BOLT

