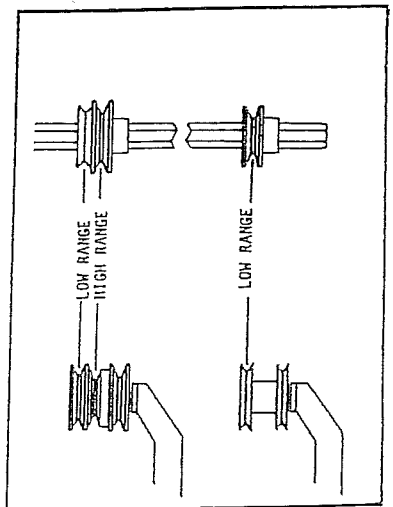
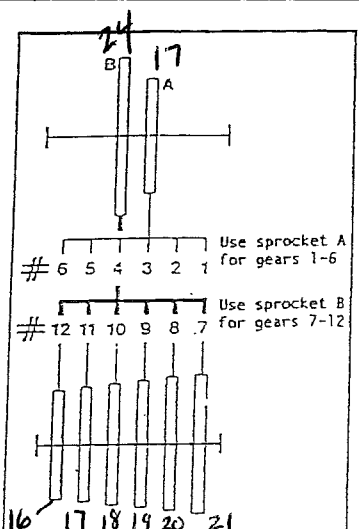
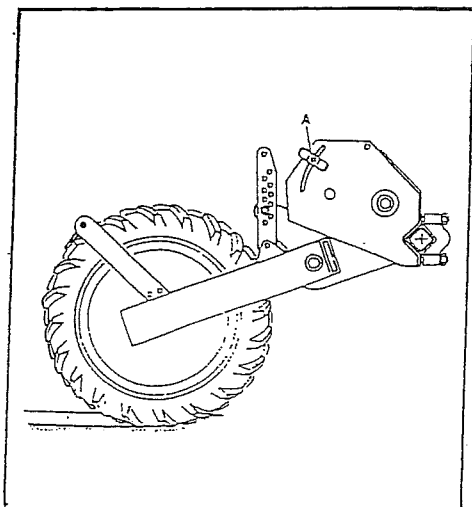


12 SPACING CHAIN DRIVE ADJUSTABLE HEIGHT LANDWHEEL

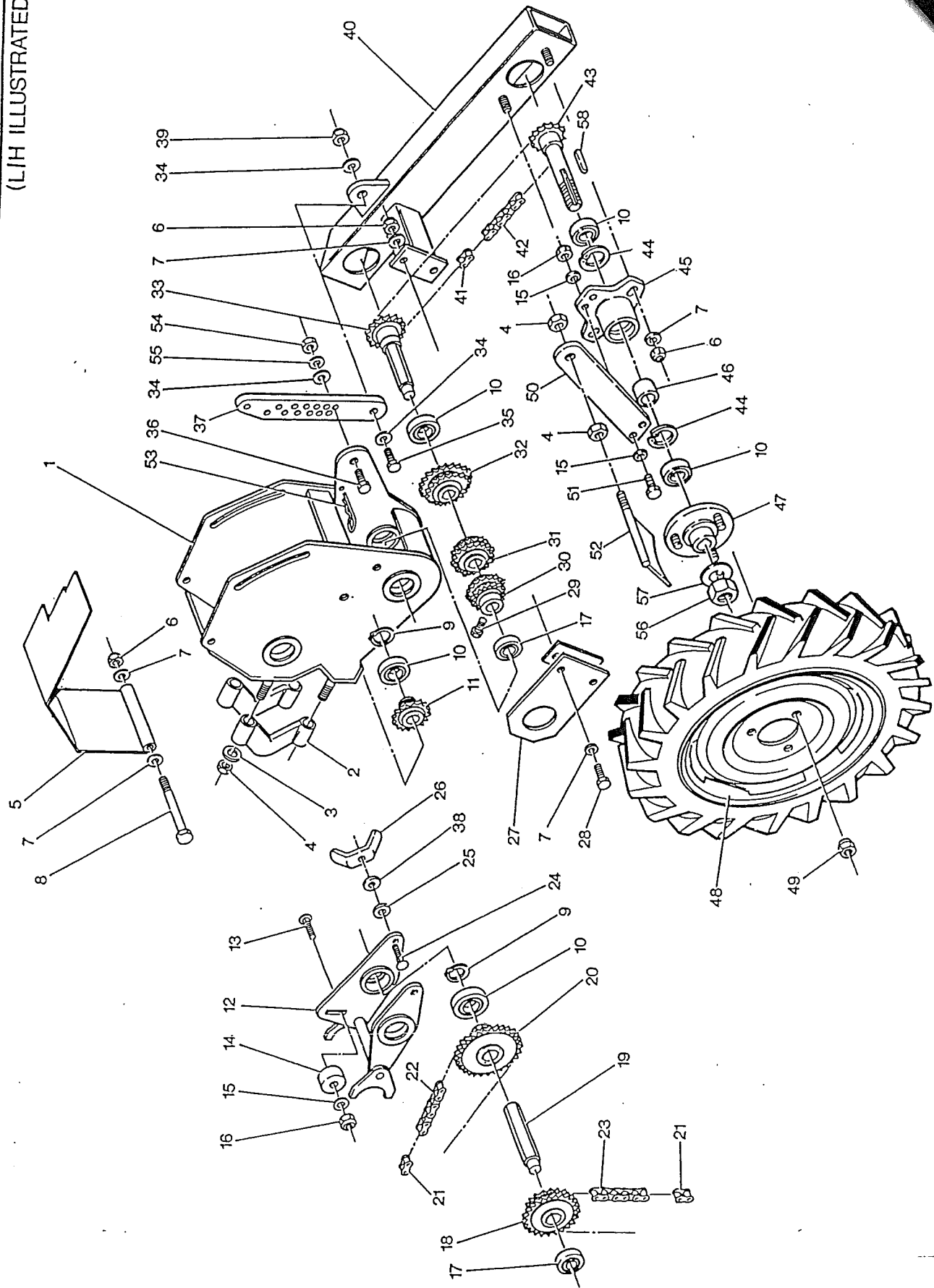
SEED SPACING CHART - INCHES
USING LOW RANGE KNEE JOINT PULLEYS

No. of holes in belt	GEAR SETTING #											
	1	2	3	4	5	6	7	8	9	10	11	12
144	0.63	0.66	0.70	0.74	0.78	0.83	0.89	0.94	0.99	1.04	1.10	1.17
120	0.76	0.80	0.84	0.89	0.94	1.00	1.07	1.13	1.19	1.25	1.32	1.41
112	0.81	0.85	0.90	0.95	1.00	1.07	1.15	1.21	1.27	1.34	1.42	1.51
96	0.95	1.00	1.05	1.11	1.17	1.25	1.34	1.41	1.48	1.56	1.66	1.76
90	1.01	1.06	1.12	1.18	1.25	1.33	1.43	1.50	1.58	1.67	1.77	1.88
72	1.27	1.33	1.40	1.48	1.56	1.66	1.79	1.88	1.98	2.08	2.21	2.35
60	1.52	1.59	1.68	1.77	1.88	1.99	2.14	2.25	2.37	2.50	2.65	2.81
56	1.63	1.71	1.80	1.90	2.01	2.14	2.30	2.41	2.54	2.68	2.84	3.02
48	1.90	1.99	2.10	2.21	2.34	2.49	2.68	2.81	2.96	3.13	3.31	3.52
45	2.02	2.13	2.24	2.36	2.50	2.66	2.86	3.00	3.16	3.34	3.53	3.75
40	2.28	2.39	2.52	2.66	2.81	2.99	3.22	3.38	3.56	3.75	3.97	4.22
36	2.53	2.66	2.80	2.95	3.13	3.32	3.57	3.75	3.95	4.17	4.42	4.69
32	2.85	2.99	3.15	3.32	3.52	3.74	4.02	4.22	4.44	4.69	4.97	5.28
30	3.04	3.19	3.36	3.54	3.75	3.99	4.29	4.50	4.74	5.00	5.30	5.63
28	3.25	3.42	3.60	3.80	4.02	4.27	4.59	4.82	5.08	5.36	5.68	6.03
24	3.80	3.99	4.20	4.43	4.69	4.98	5.36	5.63	5.93	6.25	6.62	7.04
20	4.55	4.78	5.03	5.31	5.63	5.99	6.43	6.75	7.11	7.51	7.95	8.44
18	5.06	5.31	5.59	5.90	6.25	6.64	7.14	7.51	7.90	8.34	8.83	9.38
16	5.69	5.98	6.29	6.64	7.03	7.47	8.04	8.44	8.89	9.38	9.93	10.56
15	6.07	6.38	6.71	7.08	7.50	7.97	8.57	9.01	9.48	10.01	10.60	11.26
14	6.51	6.83	7.19	7.59	8.04	8.54	9.19	9.65	10.16	10.72	11.35	12.06
12	7.59	7.97	8.39	8.86	9.38	9.96	10.72	11.26	11.85	12.51	13.25	14.07
10	9.11	9.57	10.07	10.63	11.25	11.96	12.86	13.51	14.22	15.01	15.90	16.89
9	10.12	10.63	11.19	11.81	12.50	13.28	14.29	15.01	15.80	16.68	17.66	18.77
8	11.39	11.96	12.59	13.28	14.07	14.95	16.08	16.89	17.78	18.76	19.87	21.11
6	15.18	15.94	16.78	17.71	18.75	19.92	21.43	22.52	23.70	25.02	26.49	28.15
5	18.22	19.13	20.14	21.25	22.50	23.91	25.72	27.02	28.44	30.02	31.79	33.78
4	22.77	23.91	25.17	26.57	28.13	29.89	32.15	33.77	35.55	37.53	39.74	42.22
1 Rev.	91.1	95.7	100.7	106.3	112.5	119.6	128.6	135.1	142.2	150.1	159.0	168.9
Forward Speed mph 75 rpm Unit	2.5	2.6	2.8	2.9	3.1	3.3	3.6	3.7	3.9	4.2	4.4	4.7
Forward Speed mph 60 rpm Unit	2.0	2.1	2.2	2.4	2.5	2.6	2.8	3.0	3.1	3.3	3.5	3.7



985

(L/H ILLUSTRATED)

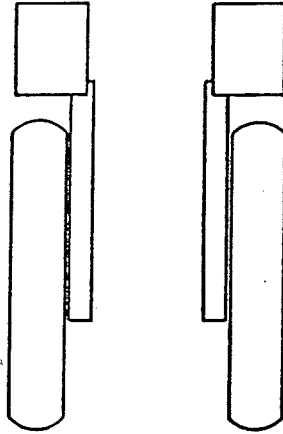


MASTER LANDWHEEL/GEARBOX - 60 x 60 TOOLBAR

SINGLE WHEEL TYPE

4.00-16 TYRE - ROUND WHEEL SPINDLE

WHEEL TYPES



L/H

R/H

Note: L/H and R/H wheels may be fitted on either side of drill outfits.

Item No:	Part No:	Description:
1	7402719	Gearbox Body L/H
	7402720	Gearbox Body R/H
2	7402662	Clamp Half
3	2311092	M16 Flat Washer
4	2303010	M16 Hexagon Nut
5	7402445	Gearbox Lid L/H
	7402860	Gearbox Lid R/H
6	2303109	M10 Nyloc Hexagon Nut - thin
7	2311090	M10 Flat Washer
8	2306082	M10 x 160 Hexagon Head Bolt
9	2217009	Circlip
10	1901051	Ball Bearing
11	7402709	17T Driven Sprocket
	6902326	Shaft Support (non driving wheels only)
12	7402687	Adjuster Frame
13	2306466	M8 x 40 Coach Bolt
14	6902235	Output Drive Jockey
15	2311089	M8 Flat Washer
16	2303092	M8 Nyloc Hexagon Nut
17	1901049	Ball Bearing
18	7703060	17/24T Sliding Sprocket
19	6902234	Output Shaft
20	7402441	30T Output Sprocket
21	1807018	Connecting Link (for items 22 & 23)
22	1807038	Chain - 46 pitches
23	1807030	Chain - 53 pitches

STANHAY 985

MASTER LANDWHEEL/GEARBOX - 60 x 60 TOOLBAR

SINGLE WHEEL TYPE

4.00-16 TYRE - ROUND WHEEL SPINDLE

Item No:	Part No:	Description:
24	2306488	M10 x 30 Coach Bolt
25	6902236	Quadrant Washer
26	6902742	Adjuster Frame Nut
27	6902229	Arm Pivot Plate
	6902325	Plate Packing (for adjustment)
28	2309063	M10 x 30 Hexagon Head Screw
29	2309061	M10 x 20 Hexagon Head Screw
30	1707083	16/17T Sprocket
31	1707084	18/19T Sprocket
32	1707085	20/21T Sprocket
33	7402467	16T Input Shaft
34	2311091	M12 Flat Washer
35	2306097	M12 x 45 Hexagon Head Bolt
36	2306097	M12 x 45 Hexagon Head Bolt
37	6902230	Wheel Strut
38	2311370	M10 Flat Washer - Extra Large
39	2303094	M12 Nyloc Hexagon Nut
40	7402434	Wheel Arm
41	1808065	Connecting Link
42	1808066	Chain - 87 pitches
43	7403158	16T Wheel Spindle
44	2217208	Circlip
45	3000657	Landwheel Hub
46	6902673	Bearing Spacer - landwheel
47	7703048	Wheel Centre c/w studs
	5700339	Wheel Stud
48	5700336	Landwheel L/H (c/w tyre & tube)
	5700337	Landwheel R/H (c/w tyre & tube)
	5700333	Wheel
	5700334	Tyre
	5700335	Tube
49	5700340	Wheel Nut
50	6902239	Scrapper Arm
51	2309049	M8 x 30 Hexagon Head Screw
52	7402446	Landwheel Scrapper
53	2316033	R-clip
54	2303009	M12 Hexagon Nut
55	2311217	M12 Spring Washer
56	2303013	M30 Hexagon Nut
57	6902759	Tab Washer - Landwheel
58	6413059	Key - Wheel Centre

ASSEMBLIES

7703055	Single Landwheel L/H) Drill and
7703056	Single Landwheel R/H) Granyl Drive
7703049	Single Landwheel L/H)
7703050	Single Landwheel R/H) Granyl Drive