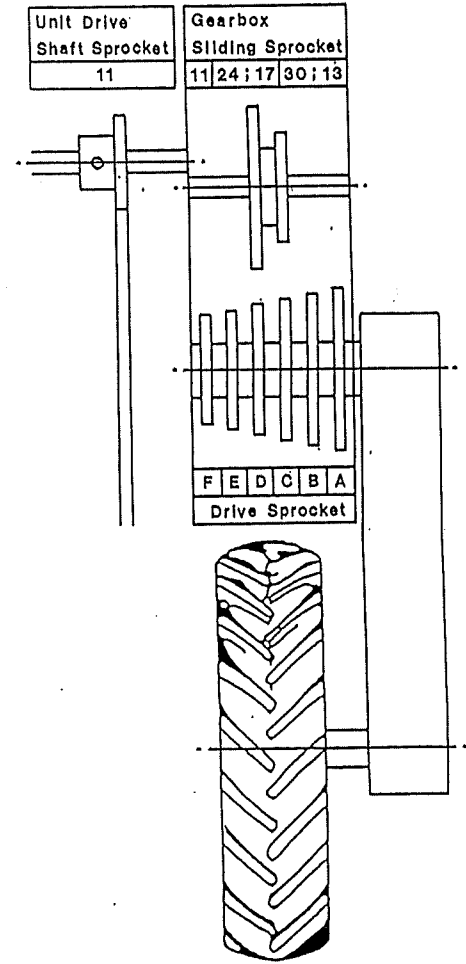


SEED SPACING CHART
 11T UNIT DRIVE SHAFT SPROCKET
 SEED SPACING WITH 12 HOLE DISC

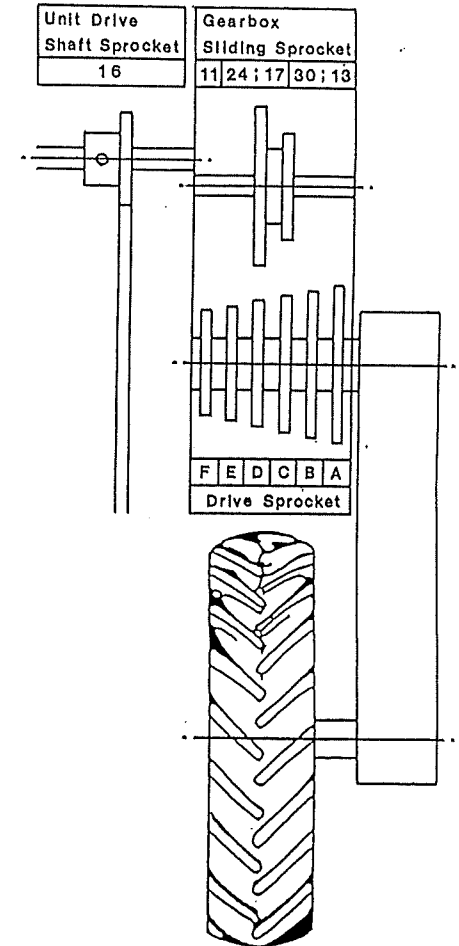
Gear	Seeding Rate in 1 Line				Recommended Forward Speed									Revs of Seed Disc for 25 Revs of Landwheel		
	Seeds per metre	Seeds per foot	Seed Spacing		25 rpm Seed Disc			17 rpm Seed Disc			12 rpm Seed Disc					
			mm	ins	kph	mph	Landwheel rpm	kph	mph	Landwheel rpm	kph	mph	Landwheel rpm			
A11	5.0	1.5	198.0	7.80	3.56	2.21	30	2.42	1.50	21						20.6
B11	4.8	1.4	207.6	8.17	3.74	2.32	32	2.54	1.57	22						19.7
C11	4.5	1.3	218.8	8.61	3.94	2.44	33	2.68	1.66	23						18.7
D11	4.3	1.3	230.8	9.09	4.16	2.58	35	2.83	1.75	24						17.7
E11	4.0	1.2	244.8	9.64	4.41	2.73	37	3.00	1.86	25						16.7
F11	3.8	1.1	260.0	10.24	4.68	2.90	40	3.18	1.97	27						15.7
A13	4.2	1.3	234.0	9.21	4.22	2.62	36	2.87	1.78	24						17.5
B13	4.0	1.2	245.6	9.67	4.42	2.74	38	3.01	1.87	26						16.6
C13	3.8	1.1	258.4	10.17	4.65	2.88	39	3.16	1.96	27						15.8
D13	3.6	1.1	272.8	10.74	4.92	3.05	42	3.35	2.08	28						15.0
E13	3.4	1.0	289.2	11.39	5.21	3.23	44	3.54	2.19	30	2.50	1.55	21			14.1
F13	3.2	1.0	307.2	12.09	5.53	3.43	47	3.76	2.33	32	2.65	1.64	22			13.3
A17	3.2	1.0	306.0	12.05	5.51	3.42	47	3.75	2.33	32	2.64	1.64	22			13.4
B17	3.1	0.9	321.2	12.65	5.79	3.59	49	3.94	2.44	33	2.78	1.72	24			12.7
C17	2.9	0.9	338.0	13.31	6.09	3.78	52	4.14	2.57	35	2.92	1.81	25			12.1
D17	2.8	0.8	357.4	14.06	6.43	3.99	55	4.37	2.71	37	3.09	1.92	26			11.4
E17	2.6	0.8	378.0	14.88	6.81	4.22	58	4.63	2.87	39	3.27	2.03	28			10.8
F17	2.4	0.7	401.6	15.81	7.23	4.48	61	4.92	3.05	42	3.47	2.15	29			10.2
A24	2.3	0.7	432.4	17.02	7.78	4.82	66	5.29	3.28	45	3.73	2.31	32			9.5
B24	2.2	0.6	454.0	17.87	8.16	5.06	69	5.55	3.44	47	3.92	2.43	33			9.0
C24	2.0	0.6	477.2	18.79	8.60	5.33	73	5.85	3.63	50	4.13	2.56	35			8.6
D24	1.9	0.6	504.0	19.84	9.08	5.63	77	6.17	3.83	53	4.36	2.70	37			8.1
E24	1.8	0.5	534.0	21.02	9.61	5.96	82	6.53	4.05	55	4.63	2.87	39			7.7
F24	1.7	0.5	567.2	22.33	10.21	6.33	87	6.94	4.30	59	4.90	3.04	42			7.2
A30	1.8	0.5	540.0	21.26	9.72	6.03	83	6.61	4.10	56	4.67	2.90	40			7.6
B30	1.7	0.5	566.8	22.32	10.21	6.33	87	6.94	4.30	59	4.90	3.04	42			7.2
C30	1.6	0.5	596.8	23.50	10.73	6.65	91	7.30	4.53	62	5.15	3.19	44			6.8
D30	1.5	0.4	630.0	24.80	11.35	7.04	96	7.72	4.79	66	5.45	3.38	46			6.5
E30	1.5	0.4	667.2	26.27	12.01	7.45	102	8.17	5.07	69	5.76	3.57	49			6.1
F30	1.4	0.4	708.8	27.91	12.76	7.91	108	8.68	5.38	74	6.12	3.79	52			5.8



SEED SPACING CHART

SEED SPACING CHART
 16T UNIT DRIVE SHAFT SPROCKET
 SEED SPACING WITH 12 HOLE DISC

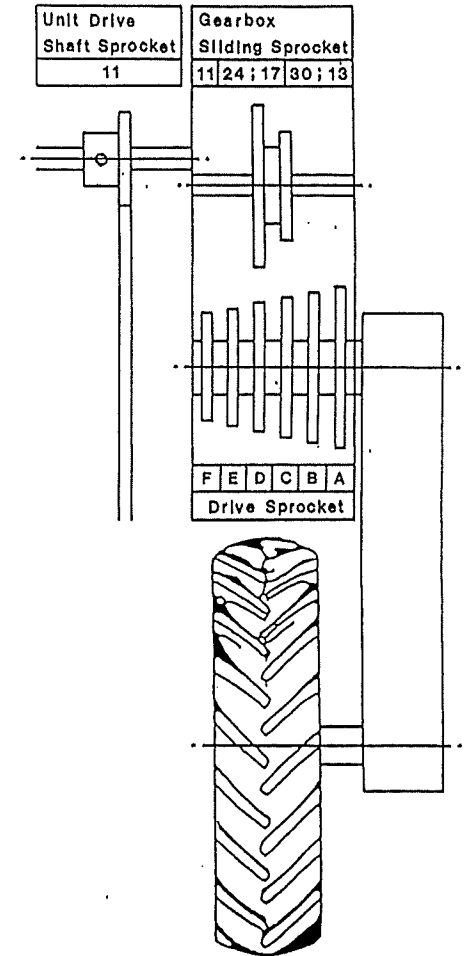
Gear	Seeding Rate in 1 Line				Recommended Forward Speed									Revs of Seed Disc for 25 Revs of Landwheel	
	Seeds per metre	Seeds per foot	Seed Spacing		25 rpm Seed Disc			17 rpm Seed Disc			12 rpm Seed Disc				
			mm	ins	kph	mph	Landwheel rpm	kph	mph	Landwheel rpm	kph	mph	Landwheel rpm		
A11	7.3	2.2	136.0	5.35	2.45	1.52	21								29.9
B11	7.0	2.1	142.8	5.62	2.57	1.59	22								28.6
C11	6.6	2.0	150.4	5.92	2.71	1.68	23								27.2
D11	6.2	1.9	158.8	6.25	2.86	1.77	24								25.7
E11	5.9	1.8	168.4	6.63	3.03	1.88	26								24.3
F11	5.5	1.7	178.8	7.04	3.22	2.00	27								22.9
A13	6.2	1.8	160.8	6.33	2.90	1.80	25								25.4
B13	5.9	1.8	168.8	6.65	3.04	1.88	26								24.2
C13	5.6	1.7	177.6	6.99	3.20	1.98	27								23.0
D13	5.3	1.6	187.6	7.39	3.38	2.10	29								21.8
E13	5.0	1.5	198.8	7.83	3.58	2.22	30	2.43	1.51	21					20.5
F13	4.7	1.4	211.2	8.32	3.80	2.36	32	2.58	1.60	22					19.4
A17	4.7	1.4	210.4	8.28	3.79	2.36	32	2.58	1.60	22					19.4
B17	4.5	1.3	220.8	8.69	3.98	2.48	34	2.71	1.68	23					18.5
C17	4.3	1.3	232.4	9.15	4.19	2.59	36	2.85	1.77	24					17.6
D17	4.0	1.2	245.6	9.67	4.42	2.74	38	3.01	1.87	26					16.6
E17	3.8	1.1	260.0	10.24	4.68	2.90	40	3.18	1.98	27					15.7
F17	3.6	1.1	276.0	10.87	4.97	3.08	42	3.38	2.10	29	2.39	1.49	20		14.8
A24	3.3	1.0	297.2	11.70	5.35	3.32	45	3.64	2.26	31	2.57	1.60	22		13.7
B24	3.2	0.9	312.0	12.28	5.61	3.48	48	3.81	2.37	32	2.69	1.67	23		13.1
C24	3.0	0.9	328.0	12.91	5.91	3.66	50	4.02	2.50	34	2.84	1.76	24		12.5
D24	2.8	0.8	346.4	13.64	6.24	3.87	53	4.24	2.63	36	3.00	1.86	25		11.8
E24	2.7	0.8	367.2	14.46	6.61	4.10	56	4.49	2.79	38	3.17	1.97	27		11.1
F24	2.5	0.7	390.0	15.35	7.02	4.35	60	4.77	2.96	40	3.37	2.09	29		10.5
A30	2.6	0.8	371.2	14.61	6.68	4.14	57	4.54	2.82	39	3.21	1.99	27		11.0
B30	2.5	0.7	389.6	15.34	7.02	4.35	60	4.77	2.96	40	3.37	2.09	29		10.5
C30	2.4	0.7	410.4	16.16	7.38	4.58	63	5.02	3.12	43	3.54	2.20	30		10.0
D30	2.3	0.7	433.2	17.06	7.80	4.84	66	5.30	3.29	45	3.74	2.32	32		9.4
E30	2.1	0.6	458.8	18.06	8.26	5.12	70	5.62	3.49	48	3.96	2.46	34		8.9
F30	2.0	0.6	487.2	19.18	8.77	5.44	74	5.96	3.70	51	4.21	2.62	36		8.4



SEED SPACING CHART

SEED SPACING CHART
11T UNIT DRIVE SHAFT SPROCKET
SEED SPACING WITH 24 HOLE DISC

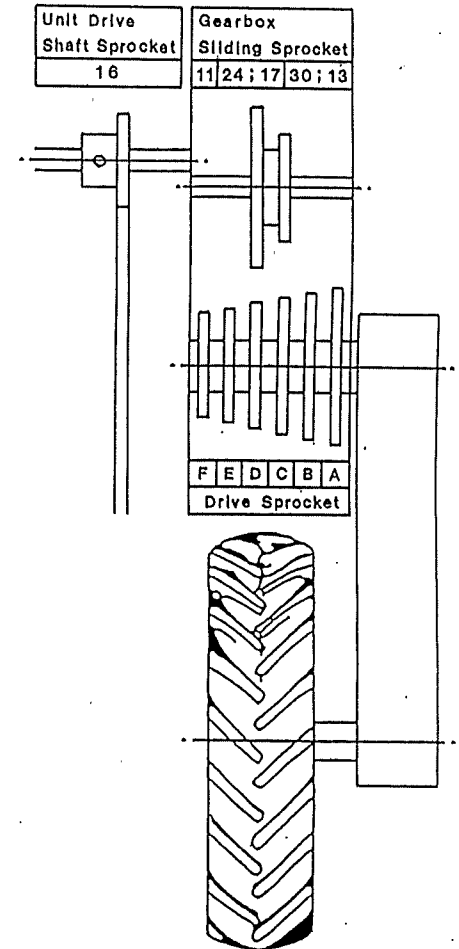
Gear	Seeding Rate in 1 Line				Recommended Forward Speed									Revs of Seed Disc for 25 Revs of Landwheel	
	Seeds per metre	Seeds per foot	Seed Spacing		25 rpm Seed Disc			17 rpm Seed Disc			12 rpm Seed Disc				
			mm	ins	kph	mph	Landwheel rpm	kph	mph	Landwheel rpm	kph	mph	Landwheel rpm		
A11	10.1	3.0	99.0	3.90	3.56	2.21	30	2.42	1.50	21				20.6	
B11	9.6	2.9	103.8	4.09	3.74	2.32	32	2.54	1.57	22				19.7	
C11	9.1	2.7	109.4	4.31	3.94	2.44	33	2.68	1.66	23				18.7	
D11	8.6	2.6	115.4	4.54	4.16	2.58	35	2.83	1.75	24				17.7	
E11	8.1	2.4	122.4	4.82	4.41	2.73	37	3.00	1.86	25				16.7	
F11	7.6	2.3	130.0	5.12	4.68	2.90	40	3.18	1.97	27				15.7	
A13	8.5	2.6	117.0	4.61	4.22	2.62	36	2.87	1.78	24				17.5	
B13	8.1	2.4	122.8	4.83	4.42	2.74	38	3.01	1.87	26				16.6	
C13	7.7	2.3	129.2	5.09	4.65	2.88	39	3.16	1.96	27				15.8	
D13	7.3	2.2	136.4	5.37	4.92	3.05	42	3.35	2.08	28				15.0	
E13	6.9	2.1	144.6	5.69	5.21	3.23	44	3.54	2.19	30	2.50	1.55	21	14.1	
F13	6.5	2.0	153.6	6.05	5.53	3.43	47	3.76	2.33	32	2.65	1.64	22	13.3	
A17	6.5	2.0	153.0	6.02	5.51	3.42	47	3.75	2.33	32	2.64	1.64	22	13.4	
B17	6.2	1.9	160.6	6.32	5.79	3.59	49	3.94	2.44	33	2.78	1.72	24	12.7	
C17	5.9	1.8	169.0	6.65	6.09	3.78	52	4.14	2.57	35	2.92	1.81	25	12.1	
D17	5.6	1.7	178.6	7.03	6.43	3.99	55	4.37	2.71	37	3.09	1.92	26	11.4	
E17	5.2	1.6	189.0	7.44	6.81	4.22	58	4.63	2.87	39	3.27	2.03	28	10.8	
F17	4.9	1.5	200.8	7.91	7.23	4.48	61	4.92	3.05	42	3.47	2.15	29	10.2	
A24	4.6	1.4	216.2	8.51	7.78	4.82	66	5.29	3.28	45	3.73	2.31	32	9.5	
B24	4.4	1.3	227.0	8.94	8.16	5.06	69	5.55	3.44	47	3.92	2.43	33	9.0	
C24	4.1	1.2	238.6	9.39	8.60	5.33	73	5.85	3.63	50	4.13	2.56	35	8.6	
D24	3.9	1.2	252.0	9.92	9.08	5.63	77	6.17	3.83	53	4.36	2.70	37	8.1	
E24	3.7	1.1	267.0	10.51	9.61	5.96	82	6.53	4.05	55	4.63	2.87	39	7.7	
F24	3.5	1.0	283.6	11.17	10.21	6.33	87	6.94	4.30	59	4.90	3.04	42	7.2	
A30	3.7	1.1	270.0	10.63	9.72	6.03	83	6.61	4.10	56	4.67	2.90	40	7.6	
B30	3.5	1.0	283.4	11.16	10.21	6.33	87	6.94	4.30	59	4.90	3.04	42	7.2	
C30	3.3	1.0	298.4	11.75	10.73	6.65	91	7.30	4.53	62	5.15	3.19	44	6.8	
D30	3.1	0.9	315.0	12.40	11.35	7.04	96	7.72	4.79	66	5.45	3.38	46	6.5	
E30	3.0	0.9	333.6	13.13	12.01	7.45	102	8.17	5.07	69	5.76	3.57	49	6.1	
F30	2.8	0.8	354.4	13.95	12.76	7.91	108	8.68	5.38	74	6.12	3.79	52	5.8	



SEED SPACING CHART
11T UNIT DRIVE SHAFT SPROCKET

SEED SPACING CHART
16T UNIT DRIVE SHAFT SPROCKET
SEED SPACING WITH 24 HOLE DISC

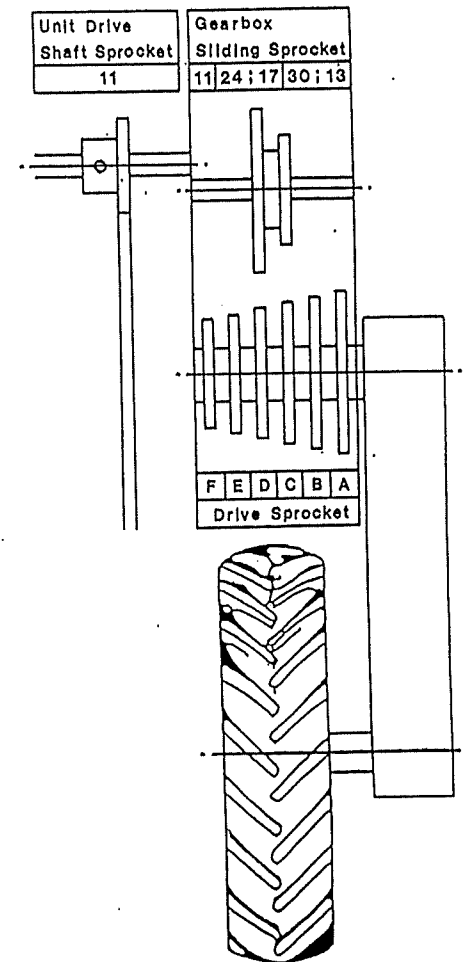
Gear	Seeding Rate in 1 Line			Recommended Forward Speed									Revs of Seed Disc for 25 Revs of Landwheel
	Seeds per metre	Seeds per foot	Seed Spacing mm ins	25 rpm Seed Disc			17 rpm Seed Disc			12 rpm Seed Disc			
				kph	mph	Landwheel rpm	kph	mph	Landwheel rpm	kph	mph	Landwheel rpm	
A11	14.7	4.4	68.0 2.68	2.45	1.52	21						29.9	
B11	14.0	4.2	71.4 2.81	2.57	1.59	22						28.6	
C11	13.2	4.0	75.2 2.96	2.71	1.68	23						27.2	
D11	12.5	3.8	79.4 3.13	2.86	1.77	24						25.7	
E11	11.8	3.6	84.2 3.31	3.03	1.88	26						24.3	
F11	11.1	3.4	89.4 3.52	3.22	2.00	27						22.9	
A13	12.4	3.7	80.4 3.17	2.90	1.80	25						25.4	
B13	11.8	3.6	84.4 3.32	3.04	1.88	26						24.2	
C13	11.2	3.4	88.8 3.50	3.20	1.98	27						23.0	
D13	10.6	3.2	93.8 3.69	3.38	2.10	29						21.8	
E13	10.0	3.0	99.4 3.91	3.58	2.22	30	2.43	1.51	21			20.5	
F13	9.4	2.8	105.6 4.16	3.80	2.36	32	2.58	1.60	22			19.4	
A17	9.5	2.8	105.2 4.14	3.79	2.36	32	2.58	1.60	22			19.4	
B17	9.0	2.7	110.4 4.35	3.98	2.48	34	2.71	1.68	23			18.5	
C17	8.6	2.6	116.2 4.57	4.19	2.59	36	2.85	1.77	24			17.6	
D17	8.1	2.4	122.8 4.84	4.42	2.74	38	3.01	1.87	26			16.6	
E17	7.6	2.3	130.0 5.12	4.68	2.90	40	3.18	1.98	27			15.7	
F17	7.2	2.2	138.0 5.43	4.97	3.08	42	3.38	2.10	29	2.39	1.49	20	14.8
A24	6.7	2.0	148.6 5.85	5.35	3.32	45	3.64	2.26	31	2.57	1.60	22	13.7
B24	6.4	1.9	156.0 6.14	5.61	3.48	48	3.81	2.37	32	2.69	1.67	23	13.1
C24	6.0	1.8	164.0 6.46	5.91	3.66	50	4.02	2.50	34	2.84	1.76	24	12.5
D24	5.7	1.7	173.2 6.82	6.24	3.87	53	4.24	2.63	36	3.00	1.86	25	11.8
E24	5.4	1.6	183.6 7.23	6.61	4.10	56	4.49	2.79	38	3.17	1.97	27	11.1
F24	5.1	1.5	195.0 7.68	7.02	4.35	60	4.77	2.96	40	3.37	2.09	29	10.5
A30	5.3	1.6	185.6 7.31	6.68	4.14	57	4.54	2.82	39	3.21	1.99	27	11.0
B30	5.1	1.5	194.8 7.67	7.02	4.35	60	4.77	2.96	40	3.37	2.09	29	10.5
C30	4.8	1.4	205.2 8.08	7.38	4.58	63	5.02	3.12	43	3.54	2.20	30	10.0
D30	4.6	1.4	216.6 8.53	7.80	4.84	66	5.30	3.29	45	3.74	2.32	32	9.4
E30	4.3	1.3	229.4 9.03	8.26	5.12	70	5.62	3.49	48	3.96	2.46	34	8.9
F30	4.1	1.2	243.6 9.59	8.77	5.44	74	5.96	3.70	51	4.21	2.62	36	8.4



SEED SPACING CHART
16T UNIT DRIVE SHAFT SPROCKET

SEED SPACING CHART
11T UNIT DRIVE SHAFT SPROCKET
SEED SPACING WITH 48 HOLE DISC

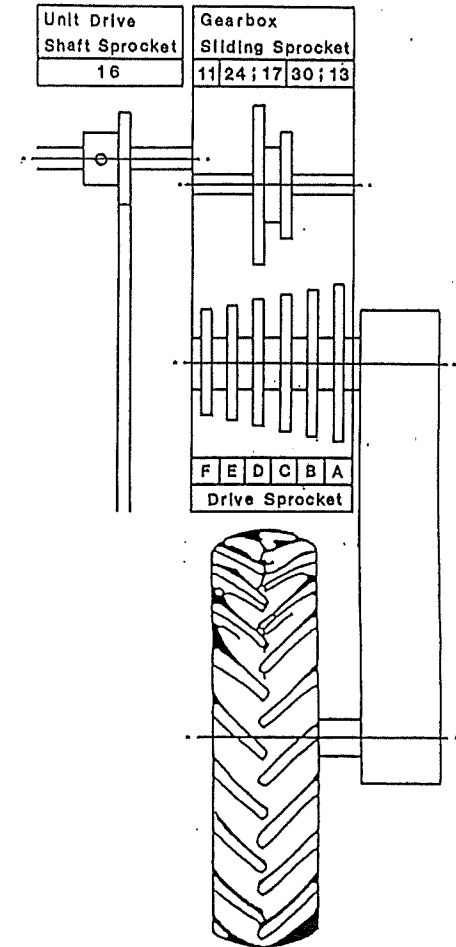
Gear	Seeding Rate in 1 Line			Recommended Forward Speed									Revs of Seed Disc for 25 Revs of Landwheel
	Seeds per metre	Seeds per foot	Seed Spacing mm ins	25 rpm Seed Disc			17 rpm Seed Disc			12 rpm Seed Disc			
				kph	mph	Landwheel rpm	kph	mph	Landwheel rpm	kph	mph	Landwheel rpm	
A11	20.2	6.2	49.5 1.95	3.56	2.21	30	2.42	1.50	21				20.6
B11	19.3	5.9	51.9 2.04	3.74	2.32	32	2.54	1.57	22				19.7
C11	18.3	5.6	54.7 2.15	3.94	2.44	33	2.68	1.66	23				18.7
D11	17.3	5.3	57.7 2.27	4.16	2.58	35	2.83	1.75	24				17.7
E11	16.3	5.0	61.2 2.41	4.41	2.73	37	3.00	1.86	25				16.7
F11	15.4	4.7	65.0 2.56	4.68	2.90	40	3.18	1.97	27				15.7
A13	17.0	5.2	58.5 2.30	4.22	2.62	36	2.87	1.78	24				17.5
B13	16.2	5.0	61.4 2.42	4.42	2.74	38	3.01	1.87	26				16.6
C13	15.5	4.7	64.6 2.54	4.65	2.88	39	3.16	1.96	27				15.8
D13	14.7	4.5	68.2 2.69	4.92	3.05	42	3.35	2.08	28				15.0
E13	13.8	4.2	72.3 2.85	5.21	3.23	44	3.54	2.19	30	2.50	1.55	21	14.1
F13	13.0	4.0	76.8 3.02	5.53	3.43	47	3.76	2.33	32	2.65	1.64	22	13.3
A17	13.1	4.0	76.5 3.01	5.51	3.42	47	3.75	2.33	32	2.64	1.64	22	13.4
B17	12.5	3.8	80.3 3.16	5.79	3.59	49	3.94	2.44	33	2.78	1.72	24	12.7
C17	11.8	3.6	84.5 3.33	6.09	3.78	52	4.14	2.57	35	2.92	1.81	25	12.1
D17	11.2	3.4	89.3 3.52	6.43	3.99	55	4.37	2.71	37	3.09	1.92	26	11.4
E17	10.6	3.2	94.5 3.72	6.81	4.22	58	4.63	2.87	39	3.27	2.03	28	10.8
F17	10.0	3.0	100.4 3.95	7.23	4.48	61	4.92	3.05	42	3.47	2.15	29	10.2
A24	9.3	2.8	108.1 4.26	7.78	4.82	66	5.29	3.28	45	3.73	2.31	32	9.5
B24	8.8	2.7	113.5 4.47	8.16	5.06	69	5.55	3.44	47	3.92	2.43	33	9.0
C24	8.4	2.5	119.3 4.70	8.60	5.33	73	5.85	3.63	50	4.13	2.56	35	8.6
D24	7.9	2.4	126.0 4.96	9.08	5.63	77	6.17	3.83	53	4.36	2.70	37	8.1
E24	7.5	2.3	133.5 5.26	9.61	5.96	82	6.53	4.05	55	4.63	2.87	39	7.7
F24	7.1	2.2	141.8 5.58	10.21	6.33	87	6.94	4.30	59	4.90	3.04	42	7.2
A30	7.4	2.3	135.0 5.31	9.72	6.03	83	6.61	4.10	56	4.67	2.90	40	7.6
B30	7.1	2.2	141.7 5.58	10.21	6.33	87	6.94	4.30	59	4.90	3.04	42	7.2
C30	6.7	2.0	149.2 5.87	10.73	6.65	91	7.30	4.53	62	5.15	3.19	44	6.8
D30	6.4	1.9	157.5 6.20	11.35	7.04	96	7.72	4.79	66	5.45	3.38	46	6.5
E30	6.0	1.8	166.8 6.57	12.01	7.45	102	8.17	5.07	69	5.76	3.57	49	6.1
F30	5.6	1.7	177.2 6.98	12.76	7.91	108	8.68	5.38	74	6.12	3.79	52	5.8



SEED SPACING CHART

SEED SPACING CHART
 16T UNIT DRIVE SHAFT SPROCKET
 SEED SPACING WITH 48 HOLE DISC

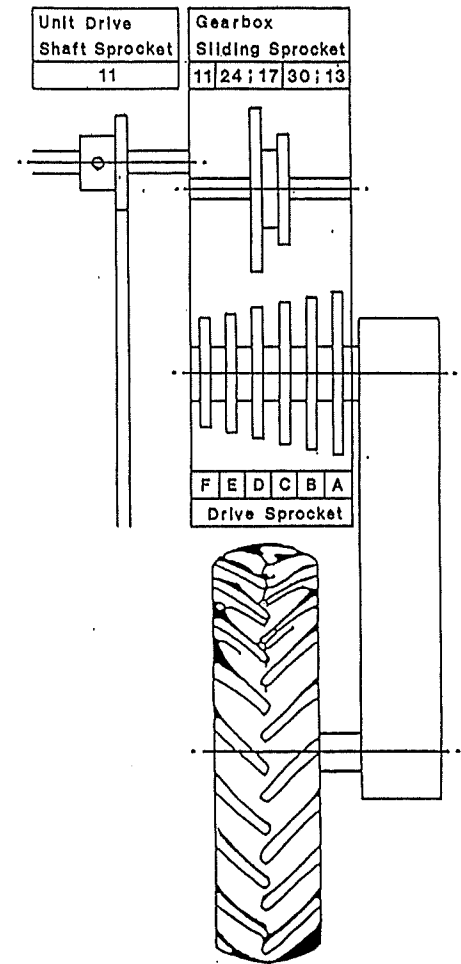
Gear	Seeding Rate in 1 Line			Recommended Forward Speed									Revs of Seed Disc for 25 Revs of Landwheel
	Seeds per metre	Seeds per foot	Seed Spacing mm ins	25 rpm Seed Disc			17 rpm Seed Disc			12 rpm Seed Disc			
				kph	mph	Landwheel rpm	kph	mph	Landwheel rpm	kph	mph	Landwheel rpm	
A11	29.4	9.0	34.0 1.34	2.45	1.52	21						29.9	
B11	28.0	8.5	35.7 1.41	2.57	1.59	22						28.6	
C11	26.6	8.1	37.6 1.48	2.71	1.68	23						27.2	
D11	25.2	7.7	39.7 1.56	2.86	1.77	24						25.7	
E11	23.8	7.2	42.1 1.66	3.03	1.88	26						24.3	
F11	22.4	6.8	44.7 1.76	3.22	2.00	27						22.9	
A13	24.9	7.6	40.2 1.58	2.90	1.80	25						25.4	
B13	23.7	7.2	42.2 1.66	3.04	1.88	26						24.2	
C13	22.5	6.9	44.4 1.75	3.20	1.98	27						23.0	
D13	21.3	6.5	46.9 1.85	3.38	2.10	29						21.8	
E13	20.1	6.1	49.7 1.96	3.58	2.22	30	2.43	1.51	21			20.5	
F13	18.9	5.8	52.8 2.08	3.80	2.36	32	2.58	1.60	22			19.4	
A17	19.0	5.8	52.6 2.07	3.79	2.36	32	2.58	1.60	22			19.4	
B17	18.1	5.5	55.2 2.17	3.98	2.48	34	2.71	1.68	23			18.5	
C17	17.2	5.2	58.1 2.29	4.19	2.59	36	2.85	1.77	24			17.6	
D17	16.3	5.0	61.4 2.42	4.42	2.74	38	3.01	1.87	26			16.6	
E17	15.4	4.7	65.0 2.56	4.68	2.90	40	3.18	1.98	27			15.7	
F17	14.5	4.4	69.0 2.72	4.97	3.08	42	3.38	2.10	29	2.39	1.49	20	14.8
A24	13.5	4.1	74.3 2.93	5.35	3.32	45	3.64	2.26	31	2.57	1.60	22	13.7
B24	12.8	3.9	78.0 3.07	5.61	3.48	48	3.81	2.37	32	2.69	1.67	23	13.1
C24	12.2	3.7	82.0 3.23	5.91	3.66	50	4.02	2.50	34	2.84	1.76	24	12.5
D24	11.5	3.5	86.6 3.41	6.24	3.87	53	4.24	2.63	36	3.00	1.86	25	11.8
E24	10.9	3.3	91.8 3.61	6.61	4.10	56	4.49	2.79	38	3.17	1.97	27	11.1
F24	10.3	3.1	97.5 3.84	7.02	4.35	60	4.77	2.96	40	3.37	2.09	29	10.5
A30	10.8	3.3	92.8 3.65	6.68	4.14	57	4.54	2.82	39	3.21	1.99	27	11.0
B30	10.3	3.1	97.4 3.83	7.02	4.35	60	4.77	2.96	40	3.37	2.09	29	10.5
C30	9.8	3.0	102.6 4.04	7.38	4.58	63	5.02	3.12	43	3.54	2.20	30	10.0
D30	9.2	2.8	108.3 4.26	7.80	4.84	66	5.30	3.29	45	3.74	2.32	32	9.4
E30	8.7	2.6	114.7 4.52	8.26	5.12	70	5.62	3.49	48	3.96	2.46	34	8.9
F30	8.2	2.5	121.8 4.80	8.77	5.44	74	5.96	3.70	51	4.21	2.62	36	8.4



SEED SPACING CHART
 16T UNIT DRIVE SHAFT SPROCKET

SEED SPACING CHART
11T UNIT DRIVE SHAFT SPROCKET
SEED SPACING WITH 96 HOLE DISC

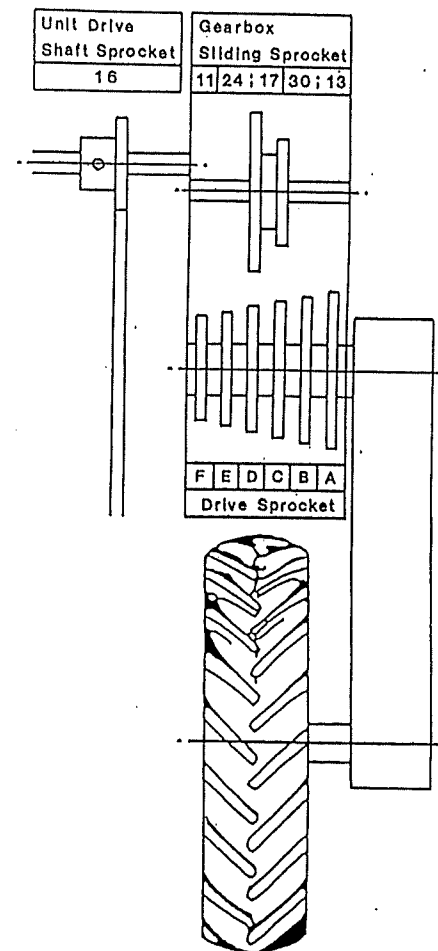
Gear	Seeding Rate in 1 Line				Recommended Forward Speed									Revs of Seed Disc for 25 Revs of Landwheel
	Seeds per metre	Seeds per foot	Seed Spacing mm ins		25 rpm Seed Disc			17 rpm Seed Disc			12 rpm Seed Disc			
					kph	mph	Landwheel rpm	kph	mph	Landwheel rpm	kph	mph	Landwheel rpm	
A11	40.3	12.2	24.8	0.98	3.56	2.21	30	2.42	1.50	21				20.6
B11	38.5	11.8	26.0	1.02	3.74	2.32	32	2.54	1.57	22				19.7
C11	36.5	11.1	27.4	1.08	3.94	2.44	33	2.68	1.66	23				18.7
D11	34.6	10.5	28.9	1.14	4.16	2.58	35	2.83	1.75	24				17.7
E11	32.7	9.9	30.6	1.21	4.41	2.73	37	3.00	1.86	25				16.7
F11	30.8	9.4	32.5	1.28	4.68	2.90	40	3.18	1.97	27				15.7
A13	34.1	10.4	29.3	1.15	4.22	2.62	36	2.87	1.78	24				17.5
B13	32.6	9.9	30.7	1.21	4.42	2.74	38	3.01	1.87	26				16.6
C13	31.0	9.5	32.3	1.27	4.65	2.88	39	3.16	1.96	27				15.8
D13	29.3	8.9	34.1	1.35	4.92	3.05	42	3.35	2.08	28				15.0
E13	27.6	8.4	36.2	1.43	5.21	3.23	44	3.54	2.19	30	2.50	1.55	21	14.1
F13	26.0	8.0	38.4	1.51	5.53	3.43	47	3.76	2.33	32	2.65	1.64	22	13.3
A17	26.1	8.0	38.3	1.51	5.51	3.42	47	3.75	2.33	32	2.64	1.64	22	13.4
B17	24.9	7.6	40.2	1.58	5.79	3.59	49	3.94	2.44	33	2.78	1.72	24	12.7
C17	23.6	7.2	42.3	1.67	6.09	3.78	52	4.14	2.57	35	2.92	1.81	25	12.1
D17	22.4	6.8	44.7	1.76	6.43	3.99	55	4.37	2.71	37	3.09	1.92	26	11.4
E17	21.1	6.5	47.3	1.86	6.81	4.22	58	4.63	2.87	39	3.27	2.03	28	10.8
F17	19.9	6.1	50.2	1.98	7.23	4.48	61	4.92	3.05	42	3.47	2.15	29	10.2
A24	18.5	5.6	54.1	2.13	7.78	4.82	66	5.29	3.28	45	3.73	2.31	32	9.5
B24	17.6	5.4	56.8	2.24	8.16	5.06	69	5.55	3.44	47	3.92	2.43	33	9.0
C24	16.8	5.1	59.7	2.35	8.60	5.33	73	5.85	3.63	50	4.13	2.56	35	8.6
D24	15.9	4.8	63.0	2.48	9.08	5.63	77	6.17	3.83	53	4.36	2.70	37	8.1
E24	15.0	4.6	66.8	2.63	9.61	5.96	82	6.53	4.05	55	4.63	2.87	39	7.7
F24	14.1	4.3	70.9	2.79	10.21	6.33	87	6.94	4.30	59	4.90	3.04	42	7.2
A30	14.8	4.5	67.5	2.66	9.72	6.03	83	6.61	4.10	56	4.67	2.90	40	7.6
B30	14.1	4.6	70.9	2.79	10.21	6.33	87	6.94	4.30	59	4.90	3.04	42	7.2
C30	13.4	4.1	74.6	2.94	10.73	6.65	91	7.30	4.53	62	5.15	3.19	44	6.8
D30	12.7	3.9	78.8	3.10	11.35	7.04	96	7.72	4.79	66	5.45	3.38	46	6.5
E30	12.0	3.7	83.4	3.29	12.01	7.45	102	8.17	5.07	69	5.76	3.57	49	6.1
F30	11.3	3.4	88.6	3.49	12.76	7.91	108	8.68	5.38	74	6.12	3.79	52	5.8



SEED SPACING CHART
11T UNIT DRIVE SHAFT SPROCKET

SEED SPACING CHART
16T UNIT DRIVE SHAFT SPROCKET
SEED SPACING WITH 96 HOLE DISC

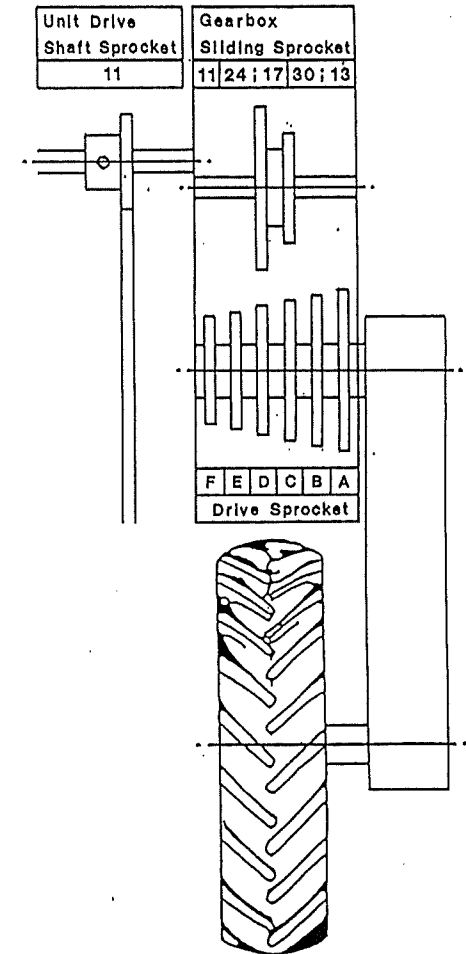
Gear	Seeding Rate in 1 Line				Recommended Forward Speed									Revs of Seed Disc for 25 Revs of Landwheel	
	Seeds per metre	Seeds per foot	Seed Spacing mm ins		25 rpm Seed Disc			17 rpm Seed Disc			12 rpm Seed Disc				
					kph	mph	Landwheel rpm	kph	mph	Landwheel rpm	kph	mph	Landwheel rpm		
A11	58.5	17.9	17.1	0.67	2.45	1.52	21								29.9
B11	55.9	17.1	17.9	0.70	2.57	1.59	22								28.6
C11	53.2	16.2	18.8	0.74	2.71	1.68	23								27.2
D11	50.2	15.4	19.9	0.78	2.86	1.77	24								25.7
E11	47.6	14.5	21.0	0.83	3.03	1.88	26								24.3
F11	44.8	13.6	22.3	0.88	3.22	2.00	27								22.9
A13	49.8	15.2	20.1	0.79	2.90	1.80	25								25.4
B13	47.4	14.5	21.1	0.83	3.04	1.88	26								24.2
C13	45.0	13.8	22.2	0.87	3.20	1.98	27								23.0
D13	42.7	13.0	23.4	0.92	3.38	2.10	29								21.8
E13	40.2	12.2	24.9	0.98	3.58	2.22	30	2.43	1.51	21					20.5
F13	37.9	11.5	26.4	1.04	3.80	2.36	32	2.58	1.60	22					19.4
A17	38.0	11.5	26.3	1.04	3.79	2.36	32	2.58	1.60	22					19.4
B17	36.2	11.0	27.6	1.09	3.98	2.48	34	2.71	1.68	23					18.5
C17	34.4	10.4	29.1	1.15	4.19	2.59	36	2.85	1.77	24					17.6
D17	32.6	9.9	30.7	1.21	4.42	2.74	38	3.01	1.87	26					16.6
E17	30.8	9.4	32.5	1.28	4.68	2.90	40	3.18	1.98	27					15.7
F17	29.0	8.8	34.5	1.36	4.97	3.08	42	3.38	2.10	29	2.39	1.49	20		14.8
A24	26.9	8.2	37.2	1.46	5.35	3.32	45	3.64	2.26	31	2.57	1.60	22		13.7
B24	25.6	7.8	39.1	1.54	5.61	3.48	48	3.81	2.37	32	2.69	1.67	23		13.1
C24	24.4	7.4	41.0	1.62	5.91	3.66	50	4.02	2.50	34	2.84	1.76	24		12.5
D24	23.1	7.0	43.3	1.71	6.24	3.87	53	4.24	2.63	36	3.00	1.86	25		11.8
E24	21.8	6.6	45.9	1.81	6.61	4.10	56	4.49	2.79	38	3.17	1.97	27		11.1
F24	20.5	6.3	48.7	1.92	7.02	4.35	60	4.77	2.96	40	3.37	2.09	29		10.5
A30	21.6	6.5	46.4	1.83	6.68	4.14	57	4.54	2.82	39	3.21	1.99	27		11.0
B30	20.5	6.3	48.7	1.92	7.02	4.35	60	4.77	2.96	40	3.37	2.09	29		10.5
C30	19.5	5.9	51.3	2.02	7.38	4.58	63	5.02	3.12	43	3.54	2.20	30		10.0
D30	18.5	5.6	54.2	2.13	7.80	4.84	66	5.30	3.29	45	3.74	2.32	32		9.4
E30	17.5	5.3	57.3	2.26	8.26	5.12	70	5.62	3.49	48	3.96	2.46	34		8.9
F30	16.4	5.0	60.9	2.40	8.77	5.44	74	5.96	3.70	51	4.21	2.62	36		8.4



SEED SPACING CHART
16T UNIT DRIVE SHAFT SPROCKET

SEED SPACING CHART
11T UNIT DRIVE SHAFT SPROCKET
SEED SPACING WITH 144 HOLE DISC

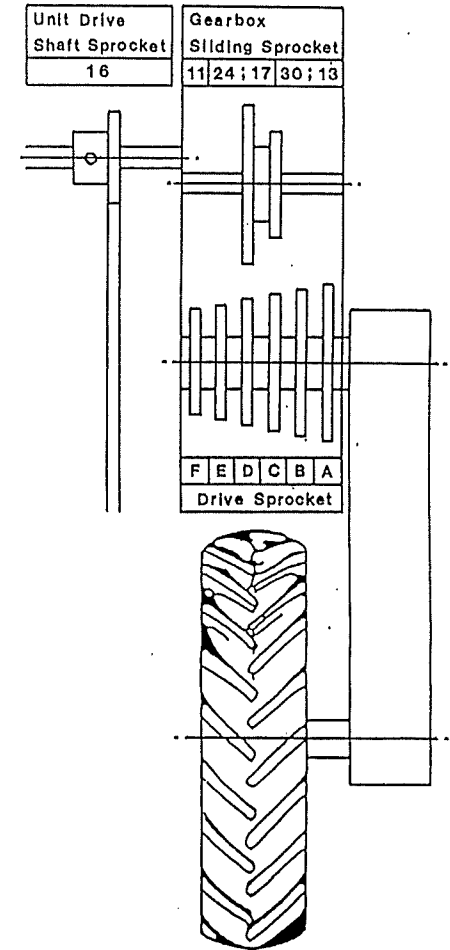
Gear	Seeding Rate in 1 Line				Recommended Forward Speed									Revs of Seed Disc for 25 Revs of Landwheel
	Seeds per metre	Seeds per foot	Seed Spacing mm ins		25 rpm Seed Disc			17 rpm Seed Disc			12 rpm Seed Disc			
					kph	mph	Landwheel rpm	kph	mph	Landwheel rpm	kph	mph	Landwheel rpm	
A11	60.6	18.5	16.5	0.65	3.56	2.21	30	2.42	1.50	21				20.6
B11	57.8	17.5	17.3	0.68	3.74	2.32	32	2.54	1.57	22				19.7
C11	54.6	16.7	18.3	0.72	3.94	2.44	33	2.68	1.66	23				18.7
D11	51.8	15.8	19.3	0.76	4.16	2.58	35	2.83	1.75	24				17.7
E11	49.0	15.0	20.4	0.80	4.41	2.73	37	3.00	1.86	25				16.7
F11	46.1	14.1	21.7	0.85	4.68	2.90	40	3.18	1.97	27				15.7
A13	51.3	15.4	19.5	0.78	4.22	2.62	36	2.87	1.78	24				17.5
B13	48.8	15.0	20.5	0.80	4.42	2.74	38	3.01	1.87	26				16.6
C13	46.5	14.1	21.5	0.85	4.65	2.88	39	3.16	1.96	27				15.8
D13	44.0	13.3	22.7	0.90	4.92	3.05	42	3.35	2.08	28				15.0
E13	41.5	12.6	24.1	0.95	5.21	3.23	44	3.54	2.19	30	2.50	1.55	21	14.1
F13	39.0	11.9	25.6	1.01	5.53	3.43	47	3.76	2.33	32	2.65	1.64	22	13.3
A17	39.2	12.0	25.5	1.00	5.51	3.42	47	3.75	2.33	32	2.64	1.64	22	13.4
B17	37.3	11.3	26.8	1.06	5.79	3.59	49	3.94	2.44	33	2.78	1.72	24	12.7
C17	35.5	10.8	28.2	1.11	6.09	3.78	52	4.14	2.57	35	2.92	1.81	25	12.1
D17	33.6	10.3	29.8	1.17	6.43	3.99	55	4.37	2.71	37	3.09	1.92	26	11.4
E17	31.7	9.7	31.5	1.24	6.81	4.22	58	4.63	2.87	39	3.27	2.03	28	10.8
F17	30.0	9.1	33.5	1.32	7.23	4.48	61	4.92	3.05	42	3.47	2.15	29	10.2
A24	27.7	8.5	36.1	1.42	7.78	4.82	66	5.29	3.28	45	3.73	2.31	32	9.5
B24	26.4	8.1	37.9	1.49	8.16	5.06	69	5.55	3.44	47	3.92	2.43	33	9.0
C24	25.1	7.6	39.8	1.57	8.60	5.33	73	5.85	3.63	50	4.13	2.56	35	8.6
D24	23.8	7.3	42.0	1.65	9.08	5.63	77	6.17	3.83	53	4.36	2.70	37	8.1
E24	22.5	6.9	44.5	1.75	9.61	5.96	82	6.53	4.05	55	4.63	2.87	39	7.7
F24	21.1	6.5	47.3	1.86	10.21	6.33	87	6.94	4.30	59	4.90	3.04	42	7.2
A30	22.2	6.8	45.0	1.77	9.72	6.03	83	6.61	4.10	56	4.67	2.90	40	7.6
B30	21.1	6.5	47.3	1.86	10.21	6.33	87	6.94	4.30	59	4.90	3.04	42	7.2
C30	20.1	6.1	49.7	1.96	10.73	6.65	91	7.30	4.53	62	5.15	3.19	44	6.8
D30	19.0	5.8	52.5	2.07	11.35	7.04	96	7.72	4.79	66	5.45	3.38	46	6.5
E30	18.0	5.5	55.6	2.19	12.01	7.45	102	8.17	5.07	69	5.76	3.57	49	6.1
F30	16.9	5.2	59.1	2.33	12.76	7.91	108	8.68	5.38	74	6.12	3.79	52	5.8



SEED SPACING CHART
11T UNIT DRIVE SHAFT SPROCKET

SEED SPACING CHART
16T UNIT DRIVE SHAFT SPROCKET
SEED SPACING WITH 144 HOLE DISC

Gear	Seeding Rate in 1 Line			Recommended Forward Speed									Revs of Seed Disc for 25 Revs of Landwheel
	Seeds per metre	Seed per foot	Seed Spacing mm ins	25 rpm Seed Disc			17 rpm Seed Disc			12 rpm Seed Disc			
				kph	mph	Landwheel rpm	kph	mph	Landwheel rpm	kph	mph	Landwheel rpm	
A11	87.7	26.7	11.4 0.45	2.45	1.52	21							29.9
B11	84.0	25.5	11.9 0.47	2.57	1.59	22							28.6
C11	80.0	24.5	12.5 0.49	2.71	1.68	23							27.2
D11	75.2	23.1	13.3 0.52	2.86	1.77	24							25.7
E11	71.4	21.8	14.0 0.55	3.03	1.88	26							24.3
F11	67.1	20.3	14.9 0.59	3.22	2.00	27							22.9
A13	74.6	22.6	13.4 0.53	2.90	1.80	25							25.4
B13	71.0	21.8	14.1 0.55	3.04	1.88	26							24.2
C13	67.6	20.7	14.8 0.58	3.20	1.98	27							23.0
D13	64.1	19.7	15.6 0.61	3.38	2.10	29							21.8
E13	60.2	18.5	16.6 0.65	3.58	2.22	30	2.43	1.51	21				20.5
F13	56.8	17.4	17.6 0.69	3.80	2.36	32	2.58	1.60	22				19.4
A17	57.1	17.4	17.5 0.69	3.79	2.36	32	2.58	1.60	22				19.4
B17	54.3	16.7	18.4 0.72	3.98	2.48	34	2.71	1.68	23				18.5
C17	51.5	15.8	19.4 0.76	4.19	2.59	36	2.85	1.77	24				17.6
D17	48.8	14.8	20.5 0.81	4.42	2.74	38	3.01	1.87	26				16.6
E17	46.1	14.1	21.7 0.85	4.68	2.90	40	3.18	1.98	27				15.7
F17	43.5	13.2	23.0 0.91	4.97	3.08	42	3.38	2.10	29	2.39	1.49	20	14.8
A24	40.3	12.3	24.8 0.98	5.35	3.32	45	3.64	2.26	31	2.57	1.60	22	13.7
B24	38.3	11.7	26.1 1.03	5.61	3.48	48	3.81	2.37	32	2.69	1.67	23	13.1
C24	36.6	11.1	27.3 1.08	5.91	3.66	50	4.02	2.50	34	2.84	1.76	24	12.5
D24	34.6	10.5	28.9 1.14	6.24	3.87	53	4.24	2.63	36	3.00	1.86	25	11.8
E24	32.7	9.9	30.6 1.21	6.61	4.10	56	4.49	2.79	38	3.17	1.97	27	11.1
F24	30.8	9.4	32.5 1.28	7.02	4.35	60	4.77	2.96	40	3.37	2.09	29	10.5
A30	32.4	9.8	30.9 1.22	6.68	4.14	57	4.54	2.82	39	3.21	1.99	27	11.0
B30	30.8	9.4	32.5 1.28	7.02	4.35	60	4.77	2.96	40	3.37	2.09	29	10.5
C30	29.2	8.9	34.2 1.35	7.38	4.58	63	5.02	3.12	43	3.54	2.20	30	10.0
D30	27.7	8.5	36.1 1.42	7.80	4.84	66	5.30	3.29	45	3.74	2.32	32	9.4
E30	26.2	8.0	38.2 1.50	8.26	5.12	70	5.62	3.49	48	3.96	2.46	34	8.9
F30	24.6	7.5	40.6 1.60	8.77	5.44	74	5.96	3.70	51	4.21	2.62	36	8.4



SEED SPACING CHART