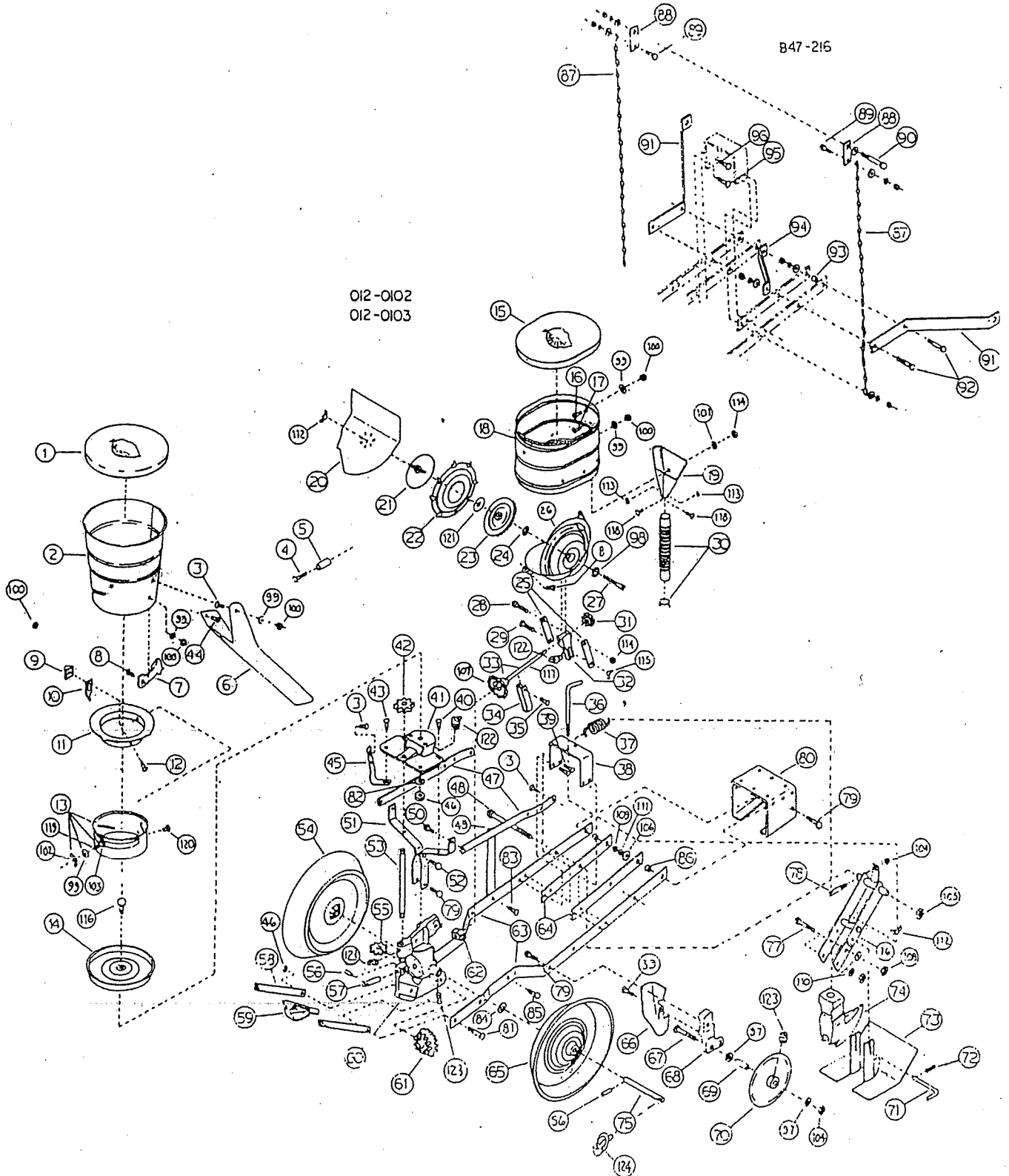


HEHAI 12 MX

HH-LP Planter Assembly



HH - LP Plamter Assembly

DIAGRAM NUMBER	PART NUMBER	DESCRIPTION	NUMBER PER ASSEMBLY
1	HH - 08 - 61	Lid, Fertilizer Hopper (Plastic)	1 P20-909
2	HH - 08 - 18	Can, Fertilizer Riveted	1 P30-593
3	GB794 - 88A	Bolt, Crg., 1/4 - 20NC x 5/8 Lg. (M6X15) Short Shoulder	7001-2549-A
4	GB794 - 88A	Bolt, Crg., 1/4 - 20NC x 2 - 1/2 (M6X75)	1 001-2558
5	HH - 08 - 28	Spacer, Hopper	1 P20-235
6	HH - 08 - 38	Spout, Fertilizer	1 P00-35
7	HH - 08 - 54	Scrape, Outside Fertilizer Casting	1 P0A-50
8	GB68 - 85	Screw, Machine Flat Head 1/4 - 20NC x 3/4	1001-2986
9	HH - 08 - 55	Shield, Scrape (M6X20)	1 P00-52
10	HH - 08 - 57	Scrape, inside Fertilizer	1 P0A-51
11	HH - 08 - 19	Ring, Fertilizer	1 P00-57
12	GB68 - 85	Screw, Machine Flat Head 1/4 - 20NC x 1-1/2	001-2991
13	HH - 08 - 16	Assembly, Cut - off Band (M6X35)	1 B02-37
	HH - 08 - 17	Assembly, Fertilizer Hopper, Complete	1 B02-34
14	HH - 08 - 6	Plate, Fertilizer	1 P00-246
15	HH - 08 - 62	Lid, Seed Hopper	1 B21-025
16	GB820 - 86	Screw, Machine Flat Head 1/4 - 20NC x 5/8 (M6X20)	1001-2985
17	GB5783 - 86	Screw, Machine Flat Head 1/4 - 20NC x 3/4 (M8X35)	1001-2980
18	HH - 08 - 47	Can, Seed Hopper	1 B30-592
	B30 - 602	Seed Hopper Assembly, Complete	1 B30-602
19	HH - 08 - 41	Spout, Seed	1 P46-689
20	HH - 08 - 59	Partition, Seed	1 P20-927
21	HH - 08 - 60	Cap, Seed Plate	1 P20-926
22	HH - 08 - 53	Plate, Seed 42 Cell	1 P30-433
	HH - 08 - 51	Plate, Seed 16 Cell	1 P30-434
			1 P00-367
	HH - 08 - 52	Plate, Seed 12 Cell	1 P00-467
23	HH - 08 - 1	Gear, Under Seed Plate	1 P00-187
24	HH - 08 - 72	Nut, 3/8 Pal.	1001-0140
25	HH - 08 - 42	Steel, Bottom	2 P30-342
26	HH - 08 - 40	Bottom, Hopper	1 P00-8189
27	GB8 - 88	Screw, Cap HH 3/8 - 16NC x 3 1/2 Sp. Hd. (M10X90)	1001-2073-A
28	GB5782 - 86	Screw, Cap HH 5/16 - 18NC x 1 - 1/2 (M8X40)	1001-2037
29	GB794 - 88A	Bolt, Crg., 5/16 - 18NC x 1 - 1/2 (M8X35)	1001-2576
30	HH - 08 - 39	Spout, Seed, Rubber W/Wire	1 P21-104
	HH - 08 - 24		

HH - LP Planter Assembly

DIAGRAM NUMBER	PART NUMBER	DESCRIPTION	NUMBER PER ASSEMBLY
31	HH - 08 - 4	Gear, 8 Tooth	POG-8 1
	HH - 08 - 48	Gear, 10 Tooth	POG-10 1
	HH - 08 - 49	Gear, 12 Tooth	POG-12 1
	HH - 08 - 50	Gear, 14 Tooth	POG-14 1
	32	HH - 08 - 10	Bearing, Upper
33	HH - 08 - 31	Assembly, Drive Shaft W/Gear	1 PCB-45
34	HH - 08 - 11	Stop, Axle	1 POC-43
35	GB794 - 88A	Bolt, Crg., 1/4 - 20NC x 1 - 1/4 (M6X30)	1001-2553
36	HH - 08 - 56	Rod, Depth Adjusting	1 PZ1-32A
37	HH - 08 - 23	Spring	1 PZ1-108
38	HH - 08 - 70	Bracket, Adjusting	1 PZ1-114
39	GB794 - 88A	Bolt, Crg., 3/8 - 16NC x 1 - 1/4 (M10X30)	5 001-2598
40	GB794 - 88A	Bolt, Crg., 5/16 - 18NC x 1 - 1/4 (M8X35)	2 001-2575
41	HH - 08 - 9	Saddle	1 PZ0-512
42	HH - 08 - 5	Gear, Upper Drive	1 POB-255
43	GB794 - 88A	Bolt, Crg., 5/16 - 18NC x 1 Short Shoulder (M8X25)	2 001-2574-4
44	GB794 - 88A	Screw, Cap HH 1/4 - 20NC x 1/2 (M6X15)	1 001-2002
45	HH - 08 - 14	Brace	2 POA-257
46	GB6170 - 86	Locknut, 3/8 - 16NC Hex (M10)	2 001-0055
47	HH - 08 - 46	Brace, Hopper	2 POC-179
48	GB5782 - 86	Screw, Cap HH 5/8 - 11NC x 7 (M16X180)	1 001-2163
49	HH - 08 - 44	Brace, left	1 PCL-178
	HH - 08 - 45	Brace, Right	1 PCR-178
50	GB5783 - 86	Screw, Cap HH 5/16 - 18NC x 3/4 (M8X20)	2 001-2033
51	HH - 08 - 15	Leg	2 PZ0-324
52	GB5783 - 86	Screw, Cap HH 5/16 - 18NC x 1 (M8X20)	1 001-2035
53	HH - 08 - 25	Shaft, Drive 5/8	1 PZ0-713A
54	HH - 08 - 20	Wheel, Half, Gear Side	1 POO-186A
55	HH - 08 - 3	Gear, Lower Drive	1 PZ0-712
56	GB879 - 86	Pin, Roll 1/4 x 1 - 1/2 (Ø6X38)	2 001-3433
57	HH - 08 - 13	Axle, Drive Gear	1 PZ0-322
58	HH - 08 - 66	Arm, Scraper	2 PZ0-690
59	HH - 08 - 58	Scrape, wheel	1 PZ0-720
60	HH - 08 - 7	Support, Main	1 PZ0-320
61	HH - 08 - 2	Gear, Drive	1 POA-253
62	HH - 08 - 12	Bearing, Lower	1 POA-214
63	HH - 08 - 64	Beam, Planter	2 PZ1-112

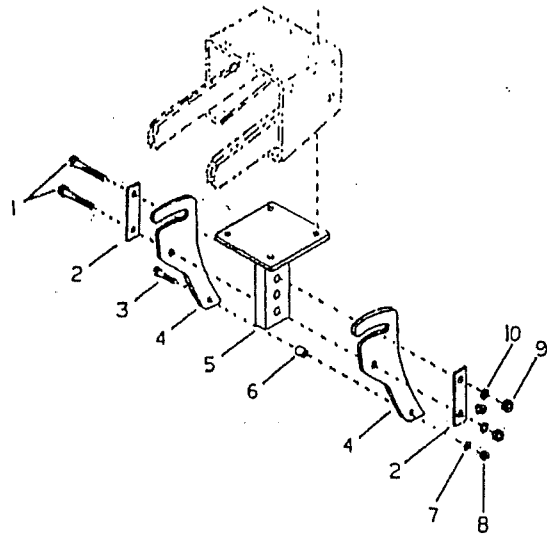
HH - LP Plamter Assembly

DIAGRAM NUMBER	PART NUMBER	DESCRIPTION	NUMBER PER ASSEMBLY
64	HH - 08 - 67	Beam, Back - up	2 P21-173
65	HH - 08 - 21	Wheel, Half, Plain Side	1 P20-186-P
66	HH - 08 - 69	Spout, Side Placer	1 P21-174
67	GB794 - 88A	Bolt, Crg., 1/2 - 13NC x 3 - 1/4, (M12X75)	1 001-2651
68	HH - 08 - 36	Bracket, Attaching, Side Placer	1 P21-175
69	HH - 08 - 26	Bushing, Side Placer	1 P20-705
70	HH - 08 - 22	Placer, Side, Fertilizer	1 P20-697
71	HH - 08 - 35	Pin	1 P21-134
72	HH - 08 - 34	Hair Pin #16. (1/8) Wire	1 P20-277
73	HH - 08 - 33	Skid Plate	1 P21-109
74	HH - 08 - 32	Foot, Opener	1 P21-131
75	HH - 08 - 68	Axle, wheel 3/4	1 P21-99
76	HH - 08 - 65	Support, Arm	1 P21-115
77	GB5782 - 86	Screw, Cap HH 5/16 - 18NC x 3, (M8X75)	2 001-2043
78	HH - 08 - 27	Rod, Adjusting 1/2	1 P21-120
79	GB5782 - 86	Screw, Cap HH 3/8 - 16NC x 1 - 1/2, (M10X40)	4 001-2067
80	HH - 08 - 37	Bracket, Attaching	1 P21-121
81	GB794 - 88A	Bolt, Crg., 3/8 - 16NC x 1 - 3/4, (M10X40)	2 001-2660
82	GB96 - 85	Washer, Flat Special, (Ø10)	1 001-1067
83	GB794 - 88A	Bolt, Crg., 3/8 - 16NC x 1 (M10X20)	2 001-2597
84	HH - 08 - 71	Washer, 1 - 7/8 OD x 15/16 ID x 1/16	1 001-1046
85	GB5783 - 86	Screw, Cap HH 3/8 - 16NC x 1 (M10X25)	4 001-2065
86	HH - 08 - 63	Bushing, 45/64 OD x 13/32 ID x 17/32	2 P21-133
87	HH - 08	2/0 Twist Chain, 30 Links	2 P46-709
88	HH - 08	Plate, Attaching	2 P46-708
89	GB5783 - 86	Screw, Cap HH ZP 5/16 - 18NC x 1 (M8X25)	2 001-2032
90	GB5782 - 86	Screw, Cap HH ZP 3/8 - 16NC x 3 (M10X75)	1 001-2073
91	HH - 08	Arm, Main	2 P46-706
92	GB5782 - 86	Screw, Cap HH ZP 3/8 - 16NC x 1 - 3/4 (M10X45)	4 001-2068
93	HH - 08	Bushing, 45/64 OD x 13/32 ID x 17/32	2 P21-133
94	HH - 08	Brace, Cross	1 P46-710
95	GB794 - 88A	Bolt, Crg., ZP 3/8 - 16NC x 1 - 3/4 (M10X45)	2 001-2660
96	GB794 - 88A	Bolt, Crg., ZP 3/8 - 16NC x 1 - 1/4 (M10X32)	2 001-2598
97	GB95 - 85	Washer, Flat 1/2	Ø12 1 001-1005
98	GB3452.1 - 82	Ring, "o", 9/16 OD x 3/8 ID x 3/32 Ø9.5x1.8	1 P30-450
99	GB95 - 85	Washer, Flat 1/4	Ø6 11 001-1001
100	GB6170 - 86	Nut, 1/4 - 20NC Hex	M6 14 001-0005
101	GB95 - 85	Washer, Flat 5/16	Ø8 1 001-1002

HH - LP Plamter Assembly

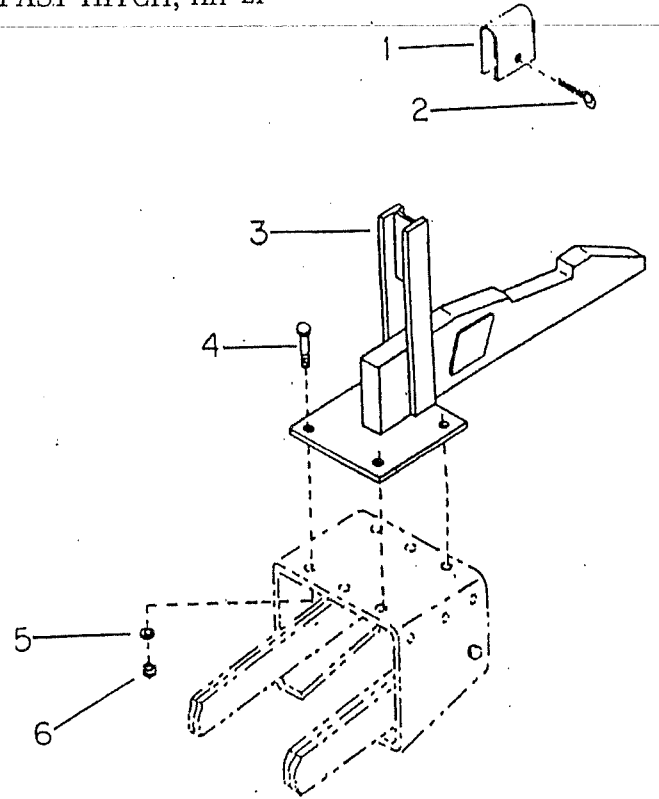
DIAGRAM NUMBER	PART NUMBER	DESCRIPTION	NUMBER PER ASSEMBLY
102	GB62 - 86	Nut, Wing 1/4 - 20NC	(M6) 001-0100 1
103	GB6170 - 86	Nut, 1/4 - 20NC Hex	(M6) 001-1005 1
104	GB6170 - 86	Nut, 1/2 - 13NC Hex	(M12) 001-0009 2
105	GB6170 - 86	Locknut, 5/8 - 11NC	(M16) 001-0057 1
106	GB95 - 85	Washer, Flat 3/8	(Ø10) 011-1003 2
107	HH - 08 - 8	Gear, Drive Shaft	P00-220 1
108	GB6170 - 86	Nut, 5/16 - 18NC Hex	(M18) 001-0006 10
109	GB6170 - 86	Nut, 3/8 - 16NC Hex	(M10) 001-0007 16
110	GB861.2 - 87	Washer, Lock 5/16	(Ø8) 001-1251 2
111	GB861.2 - 87	Washer, Lock 3/8	(Ø10) 001-1252 4
112	GB62 - 86	Nut, Wing 3/8 - 16NC	(M10) 001-0103 2
113	GB6170 - 86	Nut, Hex 10 - 24NC	(M5) 001-0004 2
114	GB6170 - 86	locknut, 5/16 - 18NC	(M8) 001-0061 2
115	GB62 - 86	Nut, Wing 5/16	(M8) 001-0101 1
116	GB5782 - 86	Screw, Cap HH 3/8 - 16NC	1 - 1/4 (M10X40) 1 001-2066
117	HH - 08 - 31	Shaft, Hopper Drive	P20-644 1
118	GB65 - 85 001-3096	Screw, Mach. Rd. Hd. #10 - 24NC x 1/2	(M5X15) 2
119	GB794 - 88A 001-2552	Bolt, Crg., 1/4 - 20NC x 1 Short Shoulder	(M6X25) 1
120	GB873 - 86 001-3486	Rivet, 1/4 x 1/2	(Ø6X15) 3
121	HH - 08 - 43 001-309	Washer, Special Fender 1 - 1/2 OD x 13/32 ID x 24 GA.	1
122	GB1152 - 89 003-8520	Fitting, Grease, 65deg., 1/4" drive included with HH08-9, HH08-10	(M6) 2
123	GB1152 - 89 003-5523	Fitting, Grease, St., 1/4" drive included with HH08-7, HH08-22	4
124	HH - 08 - 29 001-3727 HH - 08 - 30	Pin, Lynch, 1/4" x 1 - 3/4"	1

FRICITION TRIP OPENING FOOT, HH-LP



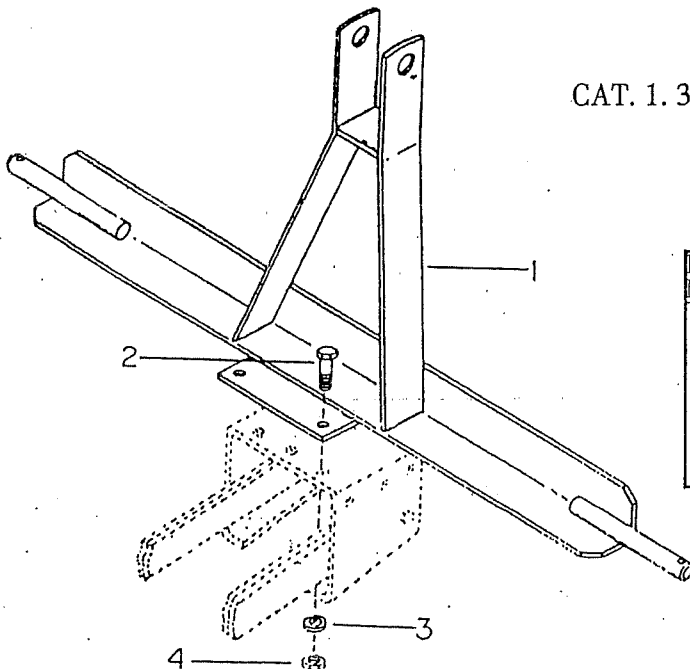
REF NO.	PART NO.	DESCRIPTION	NO. REQ
1	GB5782-86	Screw, Cap HH ZP 3/8 - 16NC x 2 - 1/2 (M10x65)	2
2	GB5782-86	Steel, Friction	2
3	001 - 2039	Screw, Cap HH ZP 5/16 - 18NC x 2	1
4	HH08-81	Trip Foot Steel (M8x50)	2
5	HH08-82	Weldment, Opening Foot	1
6	HH08-83	Spacer, 3/8 BIP x 3/4	1
7	GB6170-86	Lockwasher, 5/16 (M8)	1
8	GB6172-86	Nut, Hex ZP 5/16 - 18NC (M8)	1
9	GB6172-86	Nut, Hex ZP 3/8 - 16NC (M10)	2
10	GB6170-86	Lockwasher, 3/8 (M10)	2

FAST HITCH, HH-LP



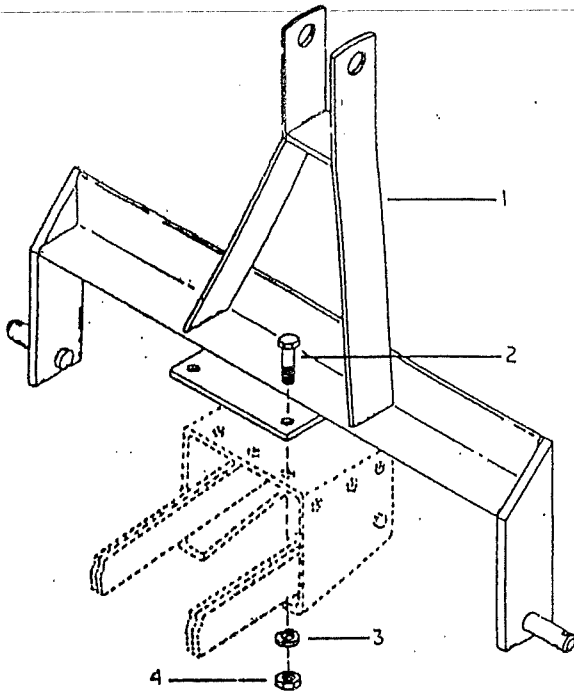
REF NO.	PART NO.	DESCRIPTION	NO. REQ
1	HH08-85	Spacer, Lift, 3/16 x 2 x 4	1
2	GB01-86	Pin, cotter, 1/4 x 1 - 3/4 (6x45)	1
3	HH08-86	Weldment, Fast Hitch, 12MX	1
4	GB5782-86	Screw, Cap HH, ZP, 1/2 - 13NC x 1 - 1/2 (M12x40)	4
5	GB6170-86	Lockwasher, 1/2 (M12)	4
6	GB6172-86	Nut, Hex, ZP 1/2 - 13NC (M12)	4

CAT. 1.3 - POINT HITCH, HH-LP



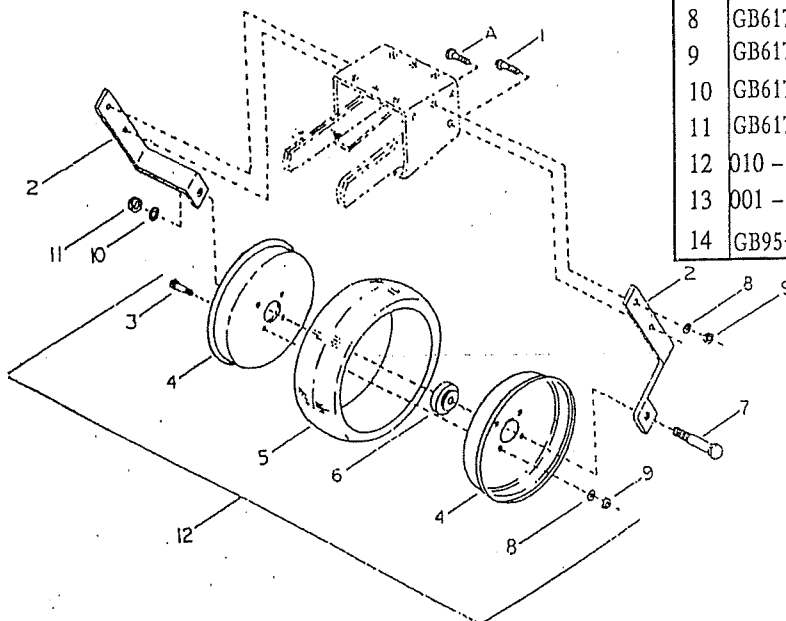
REF NO.	PART NO.	DESCRIPTION	NO. REQ
1	HH08-88	Hitch, 3 Point, CAT. 1	1
2	GB5782-86	Screw, Cap HH ZP 1/2 - 13NC x 1 - 1/2 Gr. 5 (M12x40)	4
3	GB6170-86	Lockwasher 1/2 (M12)	4
4	GB6172-86	Nut, Hex 1/2 - 13NC (M12)	4

CAT. 0, 3 - POINT HITCH, HH-LP



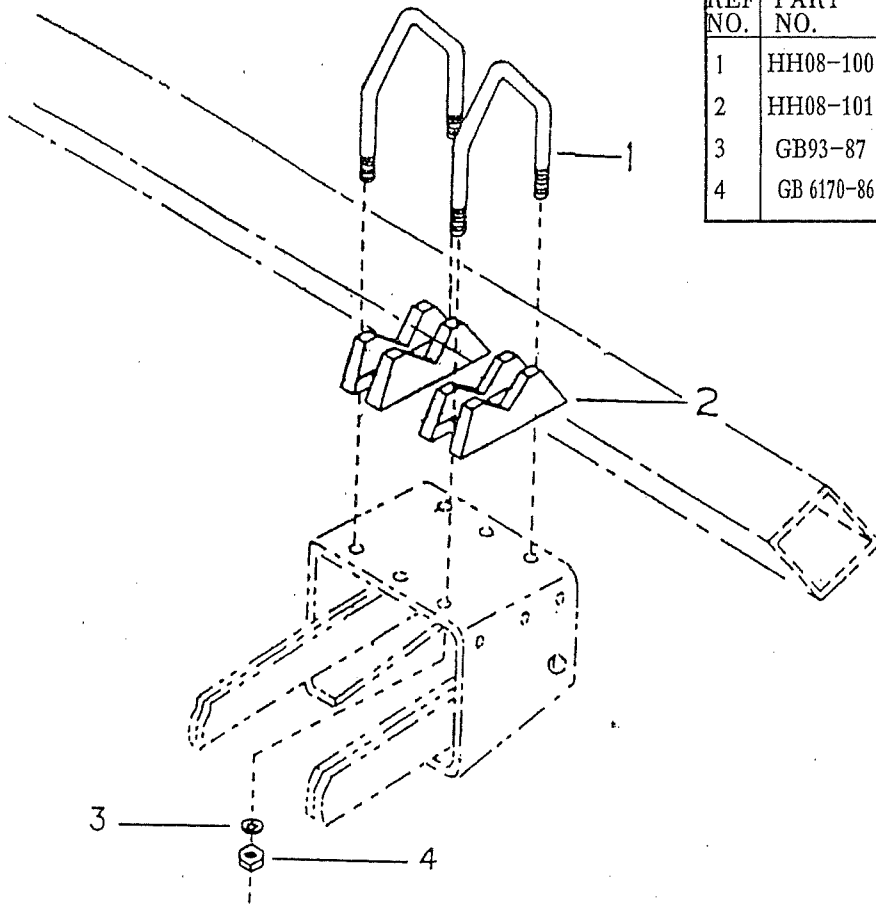
REF NO.	PART NO.	DESCRIPTION	NO. REQ
1	HH08-90	Hitch, 3 Point, Cat0	1
2	GB5782-86	Screw, Cap HH ZP 1/2 - 13NC x 1 1/2 Gr. 5 (M12x40)	4
3	GB6170-86	Lockwasher, 1/2 (M12)	4
4	GB6172-86	Nut, Hex 1/2 - 13NC (M12)	4

GAUGE WHEEL, HH-LP



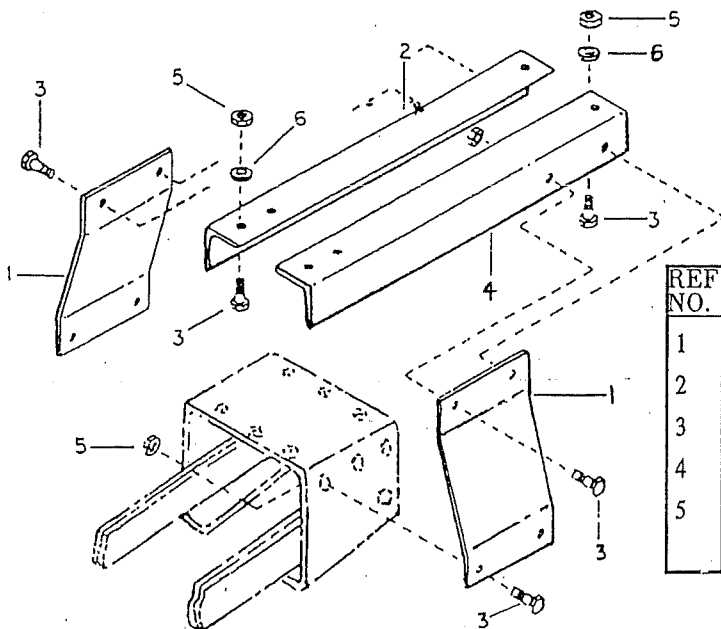
REF NO.	PART NO.	DESCRIPTION	NO. REQ
A		Screw, Cap HH ZP 3/8 - 16NC x 1 - 1/2 (M10x40) (Supplied with Planter)	2
1	GB5782-86	Screw, Cap HH ZP 3/8 - 16NC x 2 (M10x50)	2
2	HH08-91	Arm, Support	2
3	GB5782-86	Screw, Cap HH ZP 3/8 - 16NC x 3/4 (M10x45)	4
4	HH08-92	Rim, Half	2
5	HH08-93	Tire, 4.00 x 12	1
6	HH08-94	Ball Bearing	1
7	GB5782-86	Screw, Cap HH ZP 3/4 - 10NC x 3 (M20x75)	1
8	GB6170-86	Lockwasher, 3/8 (M10)	6
9	GB6172-86	Nut, Hex ZP 3/8 (M10)	6
10	GB6170-86	Lockwasher, 3/4 (M10)	1
11	GB6172-86	Nut, Hex 3/4 - 10NC (M20)	1
12	010 - 0180	Wheel Assmbly, 12 Zero Pressure	1
13	001 - 1008	Washer, Flat Zp 3/4	1
14	GB95-85	Ø20	

HITCH, 2 - 1/2 CORNER MOUNTED BAR,



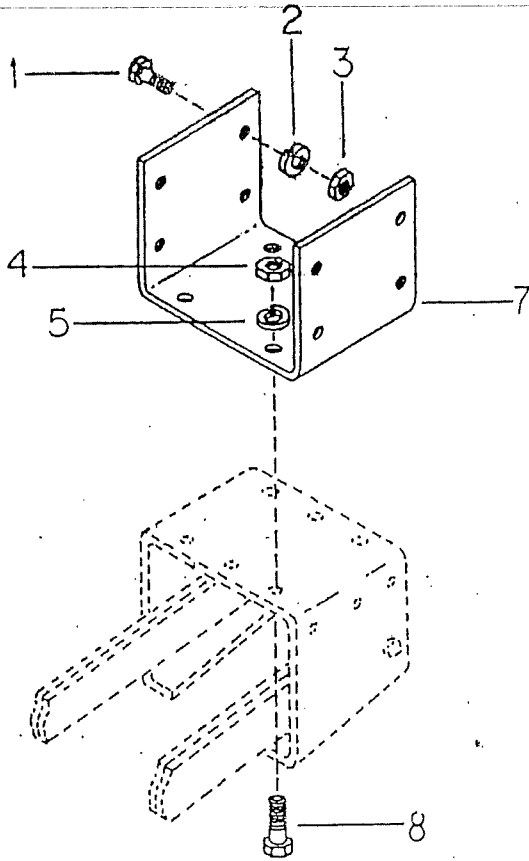
REF NO.	PART NO.	DESCRIPTION	NO. REQ
1	HH08-100	U-Bolt, Angle Bend 1/2	2
2	HH08-101	V - Block	2
3	GB93-87	Lockwasher, 1/2 (Ø12)	4
4	GB 6170-86	Nut, Hex, ZP 1/2 - 13NC(M12)	4

CULT IVATOR HITCH,



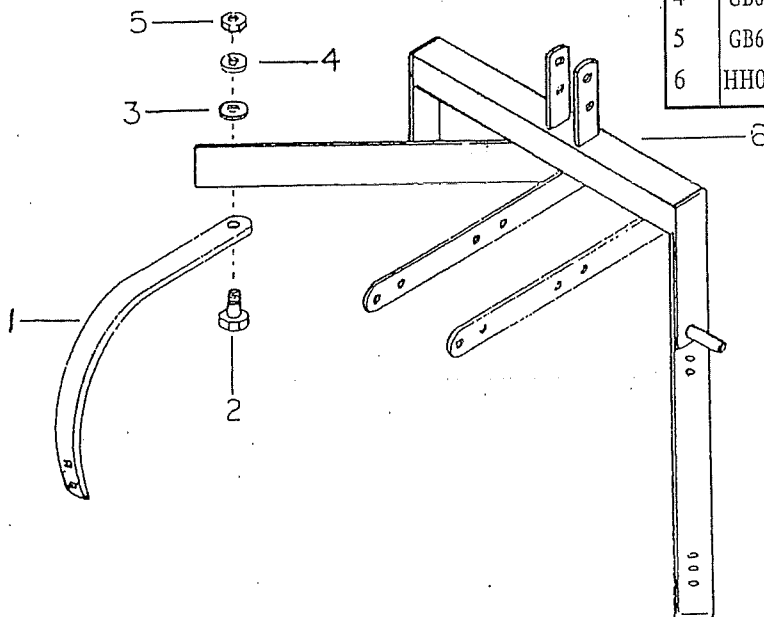
REF NO.	PART NO.	DESCRIPTION	NO. REQ
1	HH08-102	Plate, Mounting	2
2	HH08-103	Arm, Attachment, Left	1
3	GB5783-86	Screw, Cap HH ZP 3/8-16NC x 1-1/2 Lg. (M10x40)	12
4	HH08-104	Arm, Attachment, Right	1
5	GB6170-86	Locknut, Hex ZP 3/8 - 16NC (M10)	12
	GB95-86	Washer, 3/8 Flat (Ø10)	4

PLANTER MOUNTING BRACKET/301 STANDARD, 501 DELUXE



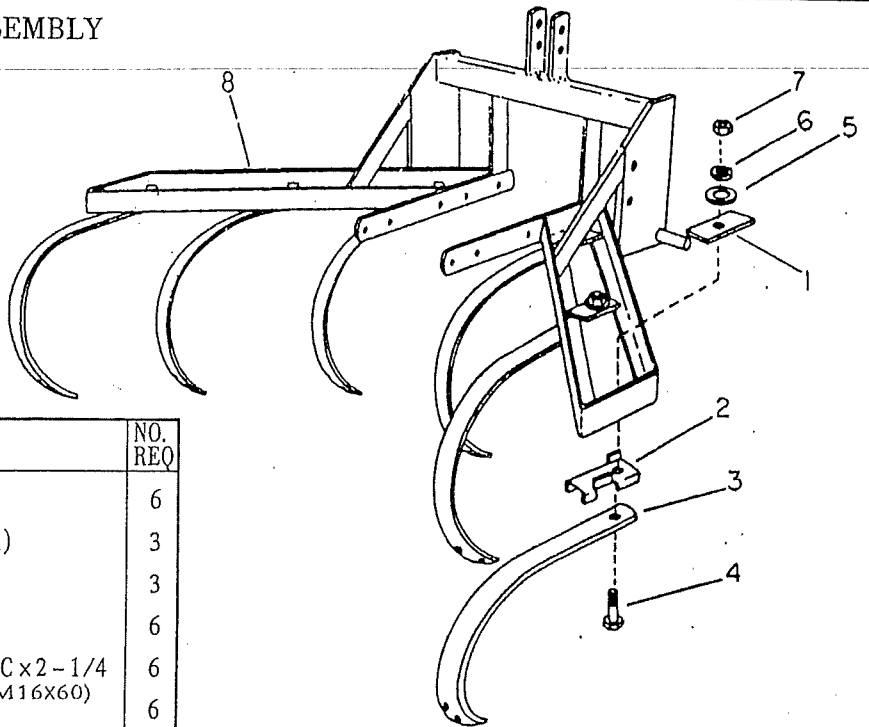
REF NO.	PART NO.	DESCRIPTION	NO. REQ
1	GB5783-86	Screw, Cap HH ZP 3/8 - (M10x25)	4
2	GB6170-86	Lockwasher, 3/8 (M12)	4
3	GB6172-86	Nut, Hex ZP 3/8 - 16NC(M10)	4
4	GB6172-86	Nut, Hex ZP 1/2 - 13NC(M12)	4
5	GB6170-86	Lockwasher, 1/2 (M12)	4
6	GB5782-86	Screw, Cap HH ZP 1/2 - 13NC x 1 - 1/2 (M12x40)	4
7	HH08-105	Bracket, Mounting	1

301 STANDARD CULTIVATOR ASSEMBLY



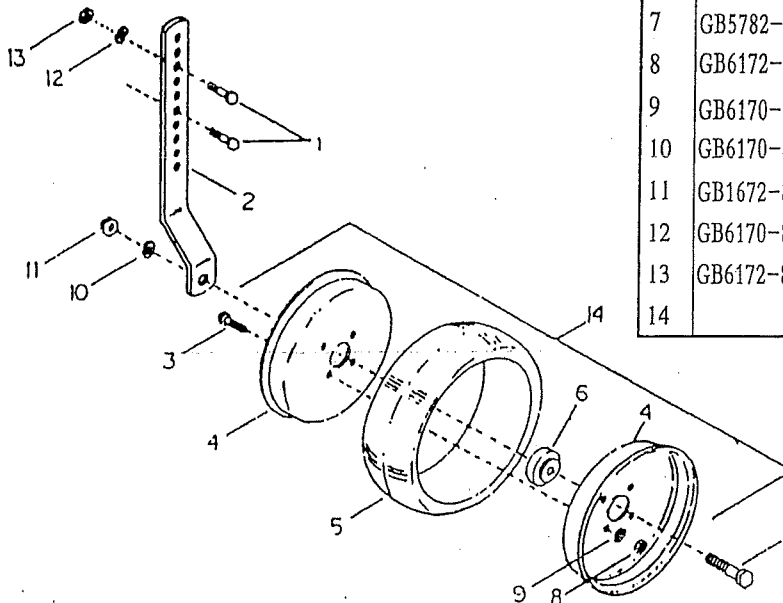
REF NO.	PART NO.	DESCRIPTION	NO. REQ
1	HH08-106	Spring Tooth, Cultivator	6
2	GB5782-86	Screw, Cap HH ZP 5/8 - 11NC x 2 (M16x45)	6
3	GB95-85	Washer, Flat 5/8 (ø16)	6
4	GB6170-86	Lockwasher, 5/8 (M16)	6
5	GB6172-86	Nut, Hex 5/8 - 11NC (M16)	6
6	HH08-107	Cultivator, 301 Weldment	1

501 DELUXE CULTIVATOR ASSEMBLY



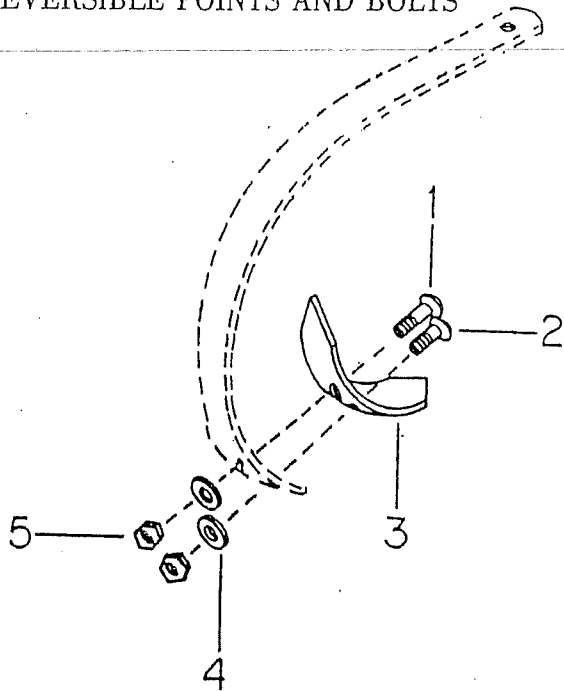
REF NO.	PART NO.	DESCRIPTION	NO. REQ
1	HH-08-304	Lock, Top	6
2	HH-08-297	Steel, Lock, Right (Shown)	3
	HH-08-298	Steel, Lock, Left	3
3	HH08-108	Spring Tooth, Cultivator	6
4	GB5782-86	Screw, Cap HH 5/8 - 11NC x 2 - 1/4 (M16x60)	6
5	GB96-85	Washer, Flat 5/8 (Ø16)	6
6	GB95-86	Washer, Lock 5/8 (Ø16)	6
7	GB6172-86	Nut, Hex 5/8 - 11NC (M16)	6
8	HH08-109	Cultivator, 501 weldment	1

GAUGE WHEELS, 501 DELUXE



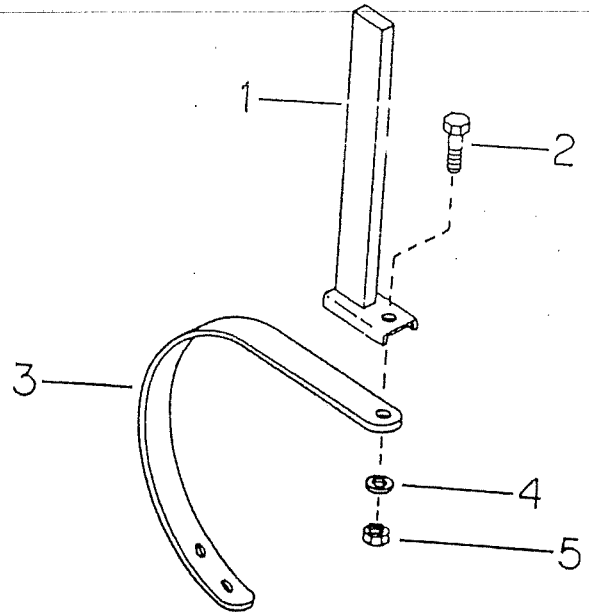
REF NO.	PART NO.	DESCRIPTION	NO. REQ
1	GB5782	Screw, Cap HH ZP 3/8 - 16NC x 1 - 1/2 (M10x40)	4
2	GB5782-86	Leg, 1/2 x 2 x 19/C1045	2
3	001 - 2063	Screw, Cap HH ZP 3/8 - 16NC x 3/4 (M10x45)	4
4	HH08-111	Rim, Half	2
5	HH08-112	Tire, 4.00 x 12	1
6	HH08-113	Ball Bearing	1
7	GB5782-86	Screw, Cap HH ZP 3/4 - 10NC x 2 - 1/4 (M20x40)	2
8	GB6172-86	Nut, Hex 3/8 - 16NC (M10)	4
9	GB6170-86	Lockwasher, 3/8 (M10)	4
10	GB6170-86	Lockwasher, 3/4 (M20)	2
11	GB1672-86	Nut, Hex 3/4 - 10NC (M20)	2
12	GB6170-86	Lockwasher, 3/8 (M10)	4
13	GB6172-86	Nut, Hex 3/8 - 16NC (M10)	4
14		Wheel Assembly, 12 Zero Pressure	2

REVERSIBLE POINTS AND BOLTS



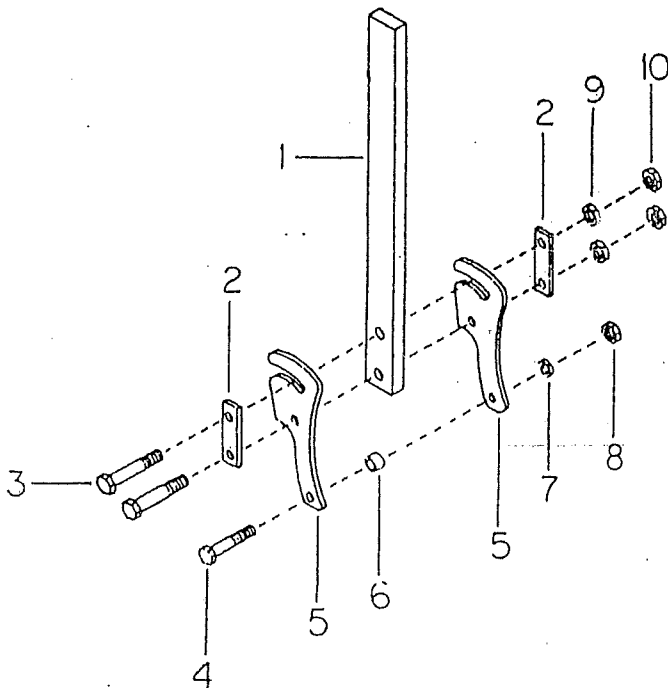
REF NO.	PART NO.	DESCRIPTION	NO. REQ
1		Bolt, Plow NO. 3 HD, 7/16 x 1 - 1/2	6
2		Bolt, Plow NO. 3 HD, 7/16 x 1 - 1/4	6
3	HH08-114	Reversible Cultivator Points 1/4 x 2 x 10	6
4		Washer, Flat, 7/16 ZP USS STD Wrought	12
5		Nut, Hex, ZP. 7/16 - 14NC	12

SPRING SHANK ERADICATOR



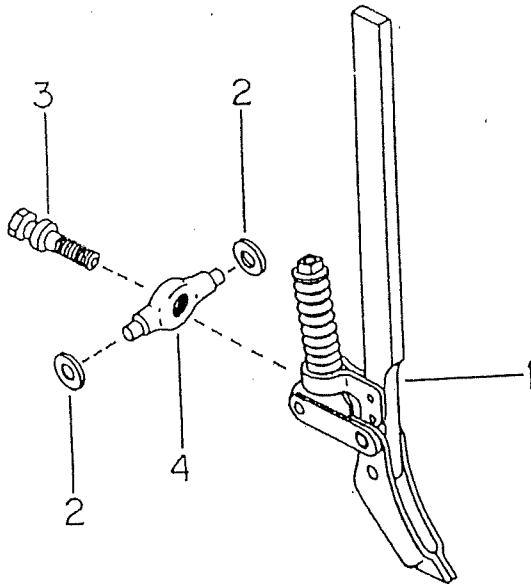
REF NO.	PART NO.	DESCRIPTION	NO. REQ
1	HH08-115	Weldment, Spring Shank	1
2	GB5782-86	Screw, Cap HH ZP 5/8 - 11NC x 1 - 1/2	1
3	HH08-116	Cultivator, Spring Tooth (M16 x 40)	1
4	GB6170-86	Lockwasher, 5/8 (M16)	1
5	GB6172-86	Nut, Hex, ZP. 5/8 - 11NC (M16)	1

FRICITION TRIP ERADICATOR



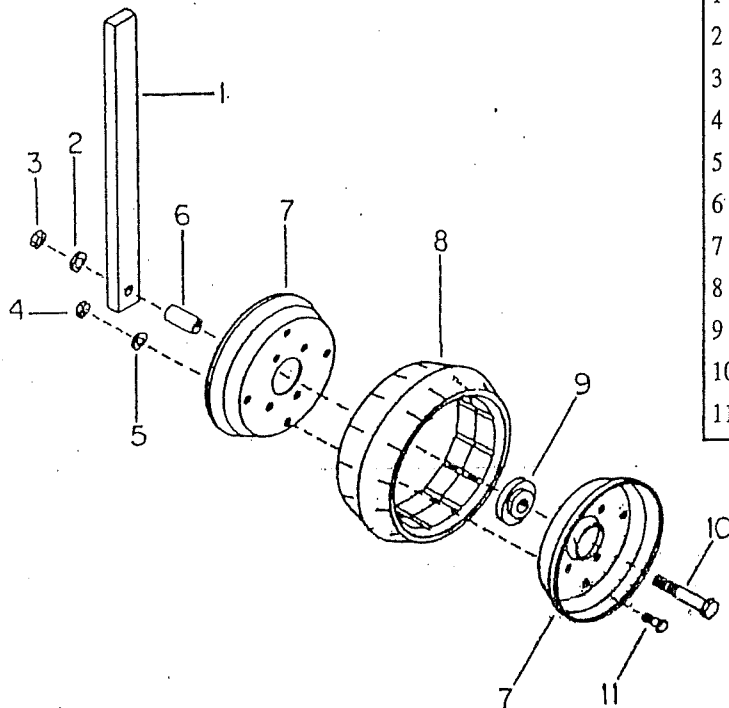
REF NO.	PART NO.	DESCRIPTION	NO. REQ
1	HH08-117	Stem, 3/4 x 2 x 24	1
2	HH08-118	Friction Steel	2
3	GB5782-86	Screw, Cap HH ZP 3/8 - 16NC x 2 - 1/2 (M10 x 65)	2
4	GB5782-86	Screw, Cap HH ZP 5/16 - 18NC x 2 (M8 x 50)	1
5	HH08-119	Trip Foot Steel	2
6	HH08-120	Spacer, 3/8 BIP x 3/4	1
7	GB6170-86	Lockwasher, 5/16 (M8)	1
8	GB6172-86	Nut, Hex ZP 5/16 - 18NC (M8)	1
9		Lockwasher, 3/8 (M10)	2
10	GB6172-86	Nut, Hex ZP 3/8 - 16NC (M10)	2

AUTOMAX TRACK ERADICATOR



REF NO.	PART NO.	DESCRIPTION	NO. REQ
1	HH08-121	3/4 x 2 x 30 Automax Track Eradicator/Less Clamp	1
2	GB95-85	Washer, Machine ZP SAE 1/2 (φ12)	2
3	GB5783-86	Screw, Cap HH ZP 5/8 - 11NC x 2 - 1/2 (M16x65) Special	1
4	HH-08-150	Support, Trip & Sleeve Adjusting	1

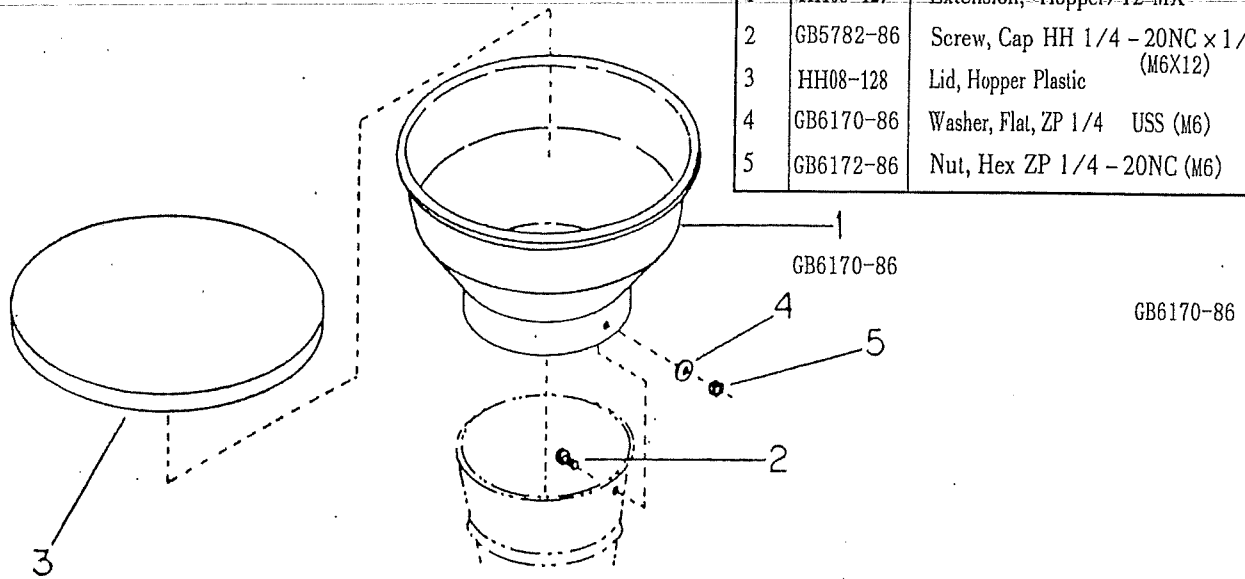
12" ZERO PRESSURE GAUGE WHEEL



REF NO.	PART NO.	DESCRIPTION	NO. REQ
1	HH08-122	Shank, 3/4 x 2 x 24	1
2	GB6170-86	Lockwasher, 3/4 (M16)	1
3	GB6172-86	Nut, Hex 3/4 - 10NC (M16)	1
4	GB6170-86	Lockwasher, 3/8 (M10)	4
5	GB6172-86	Nut, Hex 3/8 - 16NC (M10)	4
6	HH08-123	Spacer, 3/4 Pipe x 2	1
7	HH08-124	Rim, Half	2
8	HH08-125	Tire, 4.00 x 12	1
9	HH08-126	Ball Bearing	1
10	GB5782-86	Screw, Cap HH ZP 3/4 - 10NC x 4 - 1/2 (M20x112)	1
11	GB5782-86	Screw, Cap HH ZP 3/8 - 16NC x 3/4 (M10x112)	4

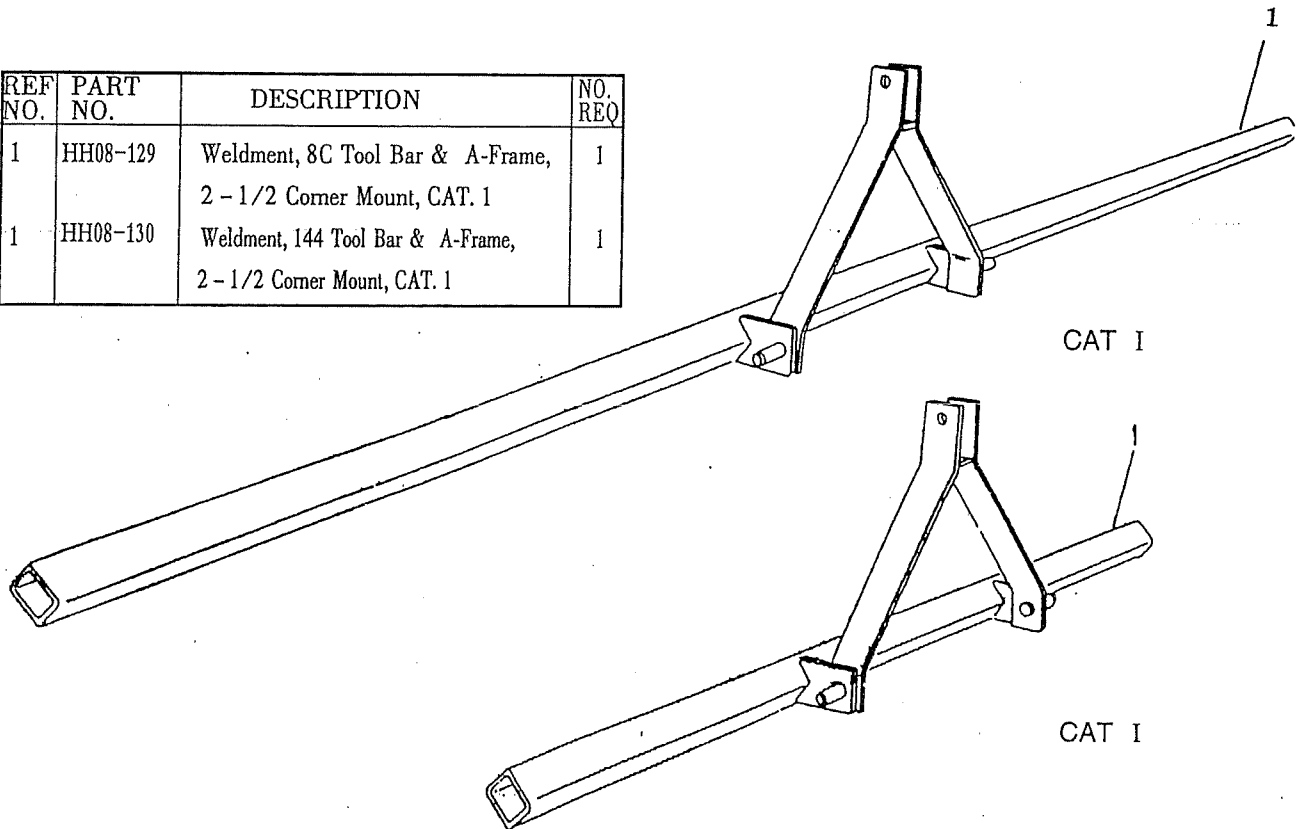
HH-LP FERTILIZER HOPPER EXTENSION

REF NO.	PART NO.	DESCRIPTION	NO. REQ
1	HH08-127	Extension, Hopper/12-MX	1
2	GB5782-86	Screw, Cap HH 1/4 - 20NC x 1/2 (M6X12)	3
3	HH08-128	Lid, Hopper Plastic	1
4	GB6170-86	Washer, Flat, ZP 1/4 USS (M6)	3
5	GB6172-86	Nut, Hex ZP 1/4 - 20NC (M6)	1

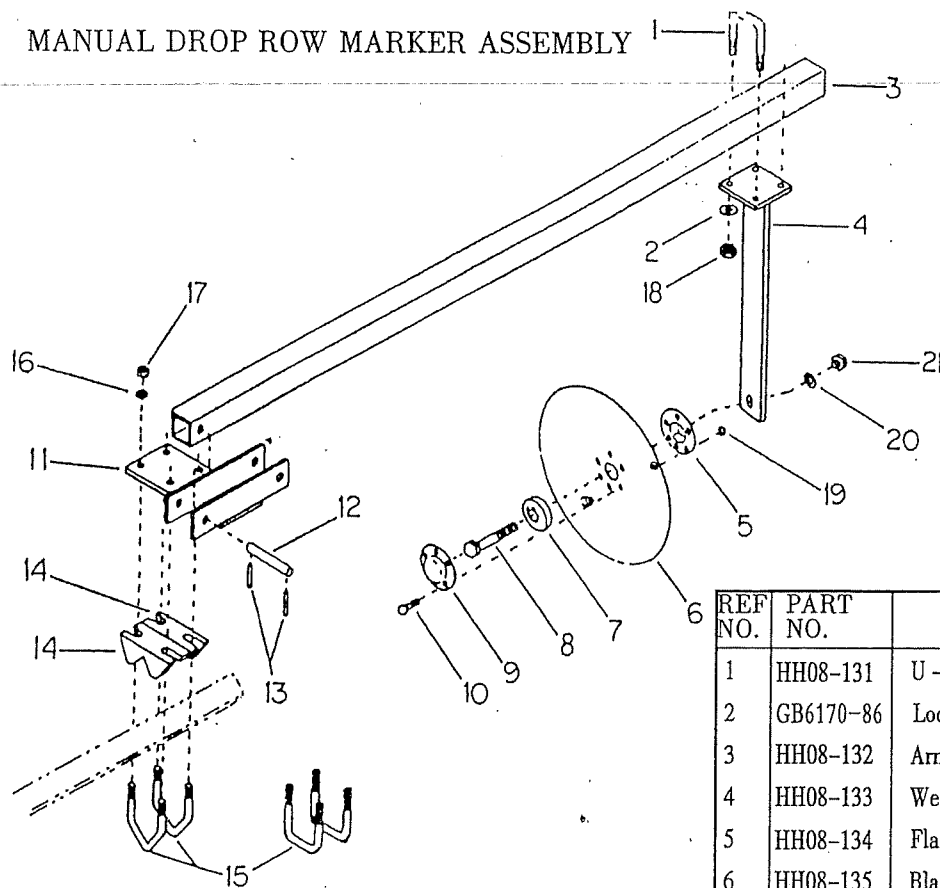


80" TOOL BAR AND A - FRAME 2 - 1/2 CORNER MOUNT CAT. 1
 144" TOOL BAR AND A - FRAME 2 - 1/2 CORNER MOUNT CAT. 1

REF NO.	PART NO.	DESCRIPTION	NO. REQ
1	HH08-129	Weldment, 8C Tool Bar & A-Frame, 2 - 1/2 Corner Mount, CAT. 1	1
1	HH08-130	Weldment, 144 Tool Bar & A-Frame, 2 - 1/2 Corner Mount, CAT. 1	1



MANUAL DROP ROW MARKER ASSEMBLY



NO LONGER AVAILABLE

REF NO.	PART NO.	DESCRIPTION	NO. REQ
1	HH08-131	U - Bolt, Square Bend 3/8Dia.	4
2	GB6170-86	Lockwasher. 3/8 (M10)	8
3	HH08-132	Arm, Tube	2
4	HH08-133	Weldment, Disc Arm	2
5	HH08-134	Flange	2
6	HH08-135	Blade, Disc 13 Concave	2
7	HH08-136	Bearing, Ball 3/4 Bore	2
8	HH08-137	Screw, Cap HH ZP 3/4 - 10NC x 2 - 1/2 Slotted	2
9	HH08-138	Cap, Flange	2
10	GB5782-86	Screw, Cap HH ZP 5/16 - 18NC x 3/4 Gr. 5 (M8x20)	12
11	HH08-139	Weldment, Guide Arm	
12	HH08-140	Pin, 5/8 Dia.	2
13	GB879-36	Pin, Roll 1/4 x 1 (46 x 25)	2
14	HH08-141	Clamp, Cast Block 4 Spread Mount to 2-1/2 Corner Mounted Tool bar	4
15	HH08-142	U - Bolt, Angle Bend 5/8 Dia. 2 - 1/2 Corner Mounted Bar	4
	HH08-143	U - Bolt, Square Bend 5/8 Dia. 4 x 4 Bar	4
	HH08-144	U - Bolt, Square Bend 5/8Dia. 4 x 7 Bar	4
16	GB6170-86	Lockwasher, 5/8 (M8)	8
17	GB6172-86	Nut, Hex ZP 5/8 - 11NC(M8)	8
18	GB6172-86	Nut, Hex ZP 3/8 - 16NC (M10)	8
19	GB6172-86	Nut, Hex ZP 5/16 - 18NC(M8)	12
20	GB6170-86	Lockwasher, 3/4 (M20)	2
21	GB6172-86	Nut, Hex ZP 3/4 - 10NC(M20)	2