



SHAYER

SUPER SLIDE

OPERATOR'S MANUAL

MODEL SB - 22 & SB - 25

SAFETY INSTRUCTIONS

- Make sure all pins are secure and locked in the 3-point before putting machine in operation.
- DO NOT sit on weight box lid or any part of unit.
- DO NOT drive post with three point raised.
- DO NOT wear loose clothing while operating machine.
- Shut off tractor and set brakes before leaving tractor seat.
- Keep spectators clear of implement when in operation.
- DO NOT move tractor while driving posts.
- Wear safety goggles while operating driver.
- Stay completely away from all moving parts while unit is operating.



SHAYER MANUFACTURING CO.
GRAETTINGER, IOWA • (712) 859-3293



THE PACKING LIST

Your Super Slide will consist of 3 parts. (See illustration on page 3.)

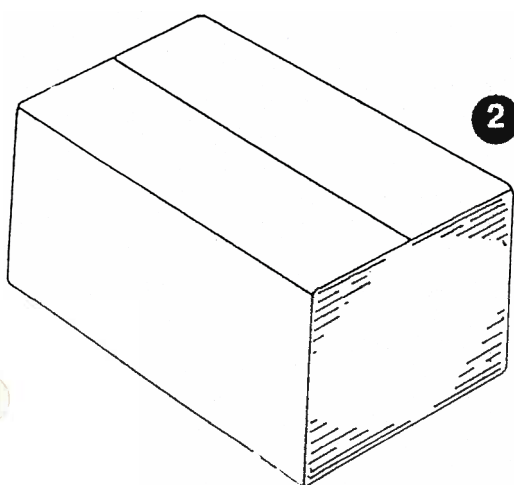
1. Hydraulic Tool Bar and components.
2. Short Channel
3. Misc. Carton

MOUNTING & ASSEMBLY INSTRUCTIONS

1. Position tractor in front of Super Slide.
2. Attach lower arms to the 3-point bracket.
3. Attach third 3-pt. arm to 3-point bracket.
Adjust to make the Super Slide perpendicular to the ground level.
4. Mount base plate of the post driver on the Turn Table.
Make sure all 4 Turn Table bolts are secured tightly.
5. Mount Short Channel on post driver. (See post driver operator's manual.)
6. Mount post driver on base plate. (See post driver operator's manual.)
7. Mount the valve (GS-V20-4695) on the Short Channel (SB-9129). See instructions on adding spools to existing valves.
8. Connect the 2) SM-0002-P Hoses (48" length) from the 4th spool of the 5-spool valve to the Turn Table Cylinder (OS-1-348).
9. Connect the SM-0003-P and the SM-0004-P Hoses from inside the hydraulic tool bar to the 5th spool of the 5-spool valve. (The 5th spool contains no restrictors.)
10. Remove the Hair Pin Clip from the swivel table. Mount the Turn Table Cylinder and re-attach Clip.

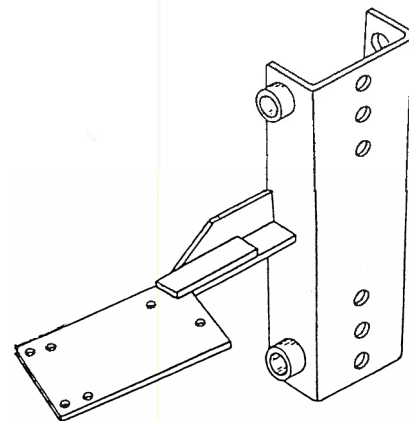
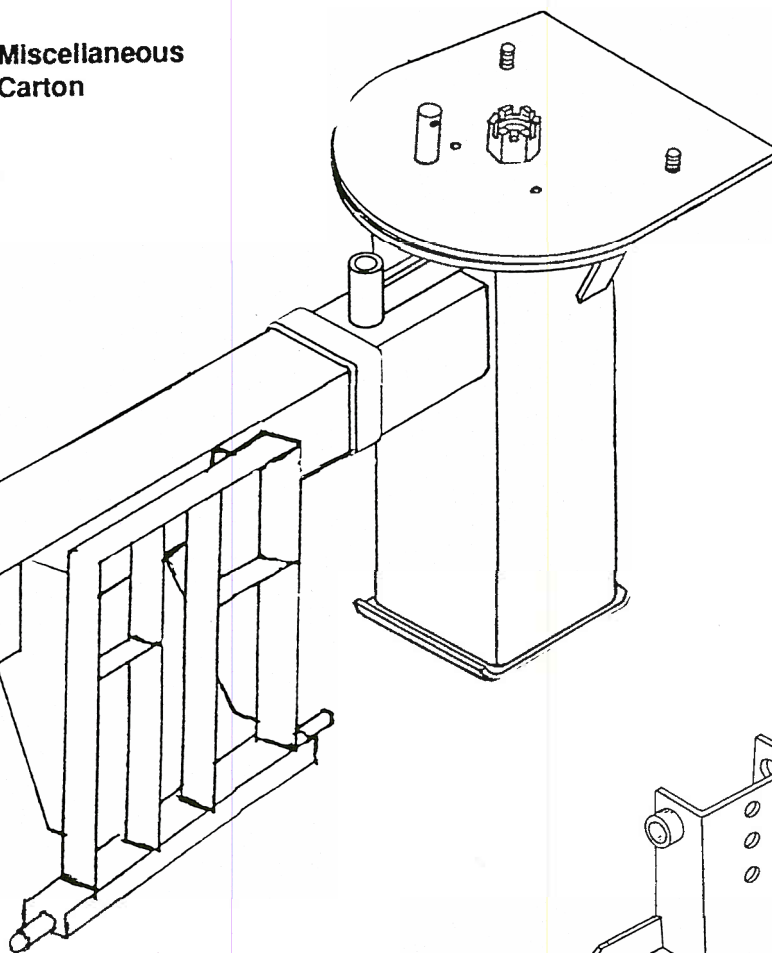
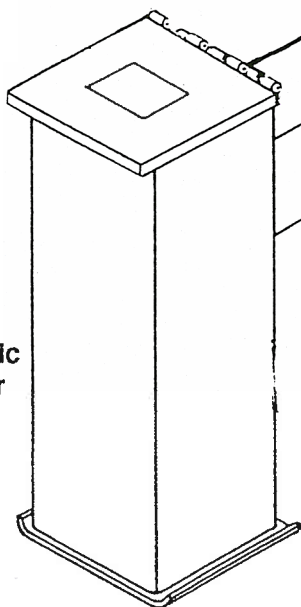
OPERATING INSTRUCTIONS

1. Set brake or use park position on tractor.
2. Lower Super Slide legs to the ground.
3. Super Slide is now ready to be extended or rotated to any position the operator requires.
4. Use 4th handle of the 5-spool valve to control circular positioning of the post driver.
5. Use the 5th handle of the 5-spool valve to extend the post driver horizontally.



2 Miscellaneous
Carton

1
Hydraulic
Tool Bar

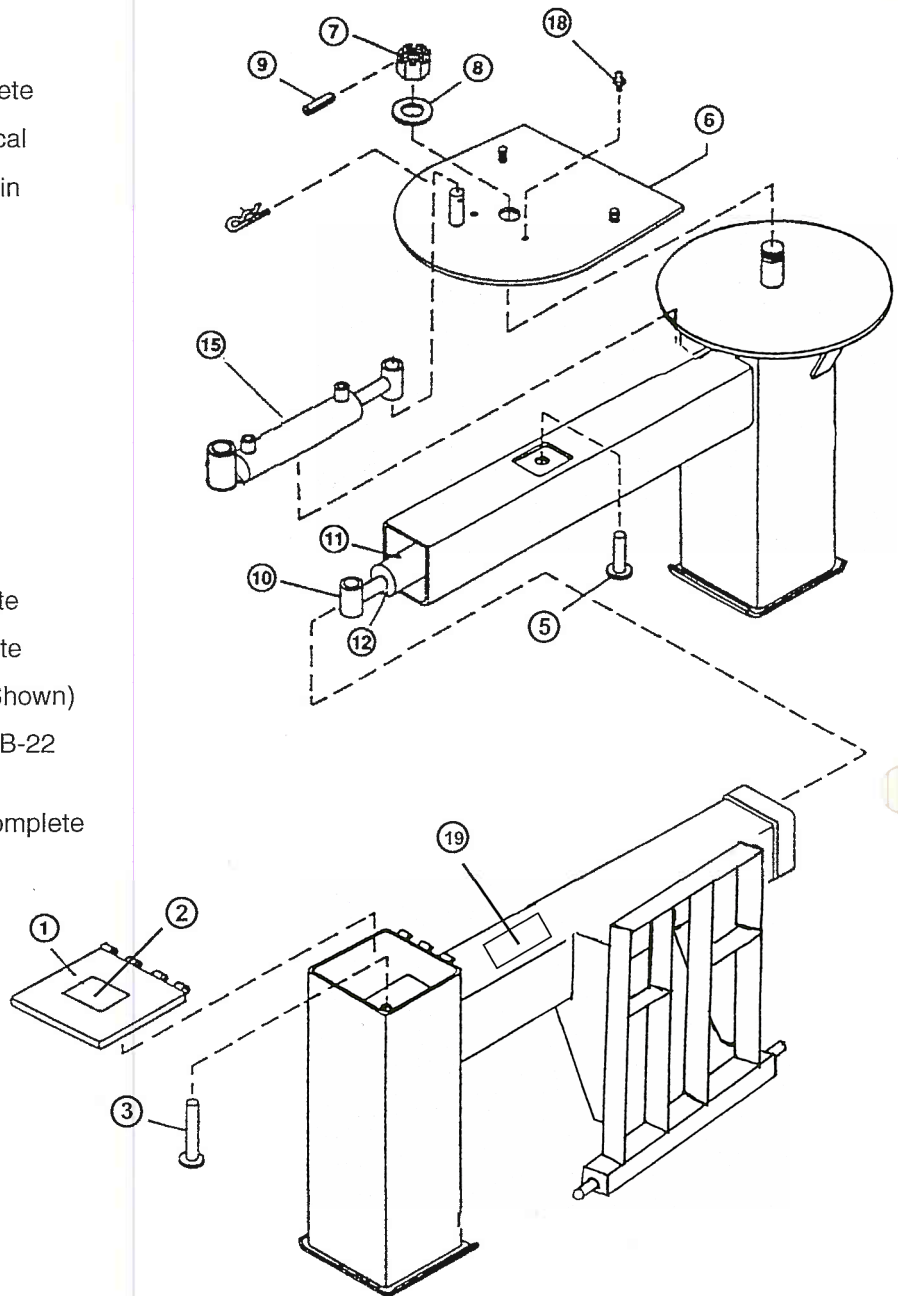


3
Short
Channel

PARTS LIST

SHAVER SUPER-SLIDE PARTS LIST

- | | |
|---------------|--|
| 1. SB-2516 | Weight Box Lid Complete |
| 2. MS-177 | Weight Box Safety Decal |
| 3. SB-25325 | Weight Box Cylinder Pin |
| 4. SB-9129 | Short Channel
(illus. on page 3) |
| 5. SB-25324 | Slide Cylinder Pin |
| 6. SB-2521 | Top Plate |
| 7. SB-2524 | Turn Table Nut |
| 8. SB-2525 | Turn Table Washer |
| 9. SB-2523 | Roll Pin |
| 10. SB-2531 | Piston Rod |
| 11. SB-2532 | Cylinder Tube Complete |
| 12. SB-253 | Slide Cylinder Complete |
| 13. GS-4695 | Valve for SB-25 (Not Shown) |
| 14. GS-7662A | Valve w/ Stud Kit for SB-22
(Not Shown) |
| 15. OS-1-348 | Turn Table Cylinder Complete |
| 16. SM-0003-P | 1/4" x 8' Hose Assy.
(Not Shown) |
| 17. SM-0004-P | 1/4" x 10' Hose Assy.
(Not Shown) |
| 18. SM-1251 | Grease Zerk |
| 19. MS-176 | Slide Safety Decal |



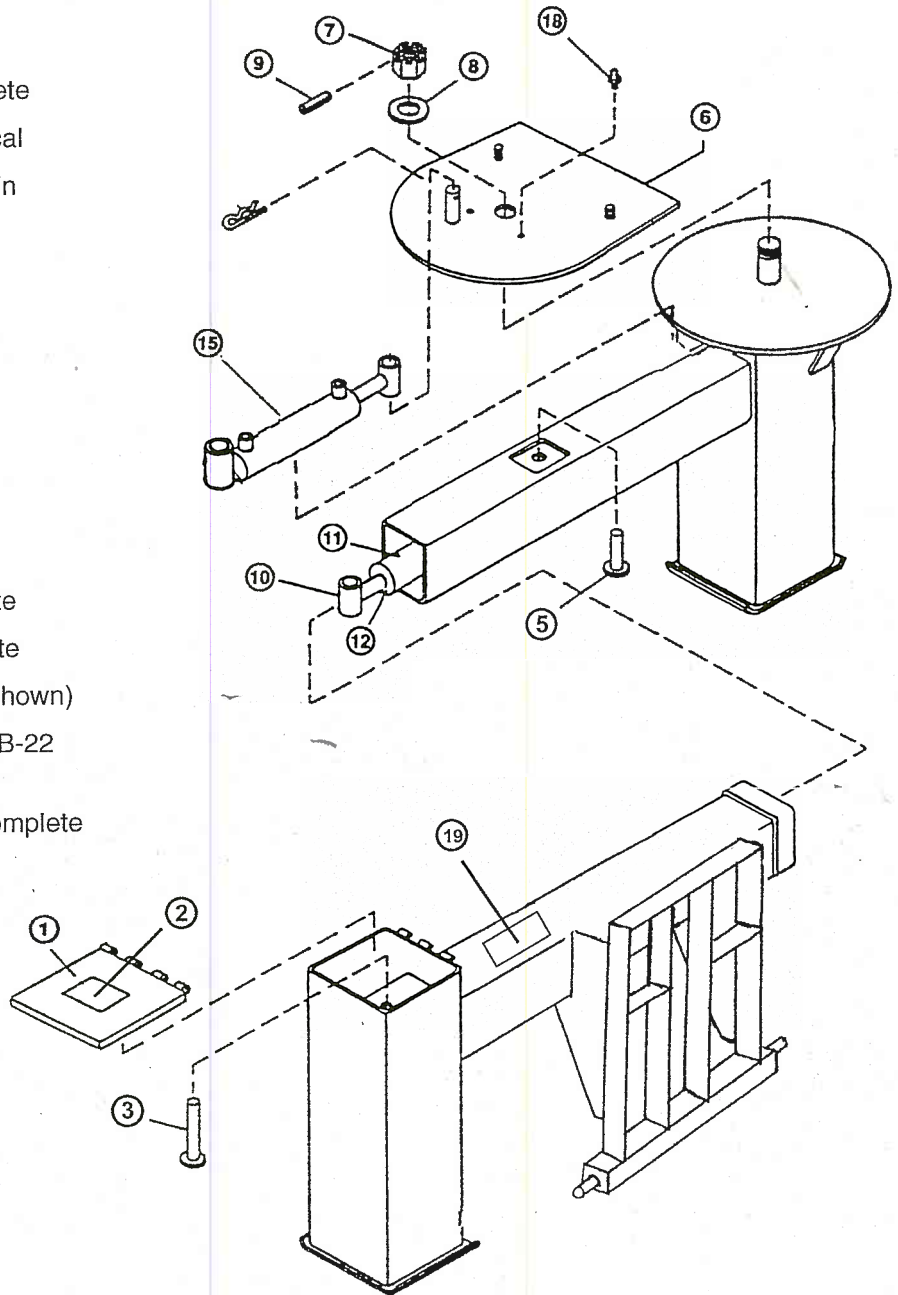
SHAVER MANUFACTURING CO.
GRAETTINGER, IOWA 51342

© OCT. 2003

PARTS LIST

SHAVER SUPER-SLIDE PARTS LIST

- | | |
|---------------|--|
| 1. SB-2516 | Weight Box Lid Complete |
| 2. MS-177 | Weight Box Safety Decal |
| 3. SB-25325 | Weight Box Cylinder Pin |
| 4. SB-9129 | Short Channel
(illus. on page 3) |
| 5. SB-25324 | Slide Cylinder Pin |
| 6. SB-2521 | Top Plate |
| 7. SB-2524 | Turn Table Nut |
| 8. SB-2525 | Turn Table Washer |
| 9. SB-2523 | Roll Pin |
| 10. SB-2531 | Piston Rod |
| 11. SB-2532 | Cylinder Tube Complete |
| 12. SB-253 | Slide Cylinder Complete |
| 13. GS-4695 | Valve for SB-25 (Not Shown) |
| 14. GS-7662A | Valve w/ Stud Kit for SB-22
(Not Shown) |
| 15. OS-1-348 | Turn Table Cylinder Complete |
| 16. SM-0003-P | 1/4" x 8' Hose Assy.
(Not Shown) |
| 17. SM-0004-P | 1/4" x 10' Hose Assy.
(Not Shown) |
| 18. SM-1251 | Grease Zerk |
| 19. MS-176 | Slide Safety Decal |



SHAVER MANUFACTURING CO.
GRAETTINGER, IOWA 51342

© OCT. 2003

