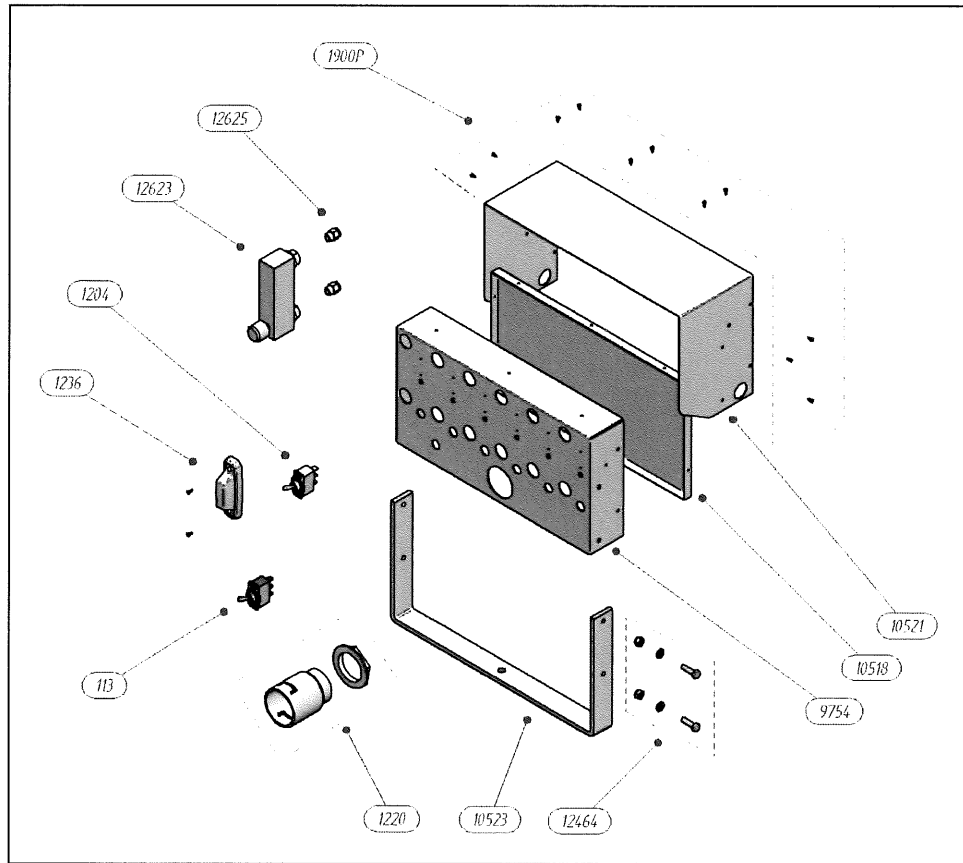


▪ CONTROL BOX *NEW*



PART N°	DESCRIPTION
113	SWITCH, DOUBLE, ON-OFF-ON
1204	SWITCH, SINGLE, ON-OFF
1220	M40 STRAIGHT FITTING
1236	ALARM LIGHT 12V
1900P	SCREWS SET
9754	CONTROL BOX FRONT COVER
10518	CONTROL BOX BACK COVER
10521	CONTROL BOX COVER
10523	CONTROL BOX HOLDER
12464	SCREWS SET
12623	FLOW METER 1-16 GPH PULMIC
12625	MALE CONNECTOR G1/4 6mm.