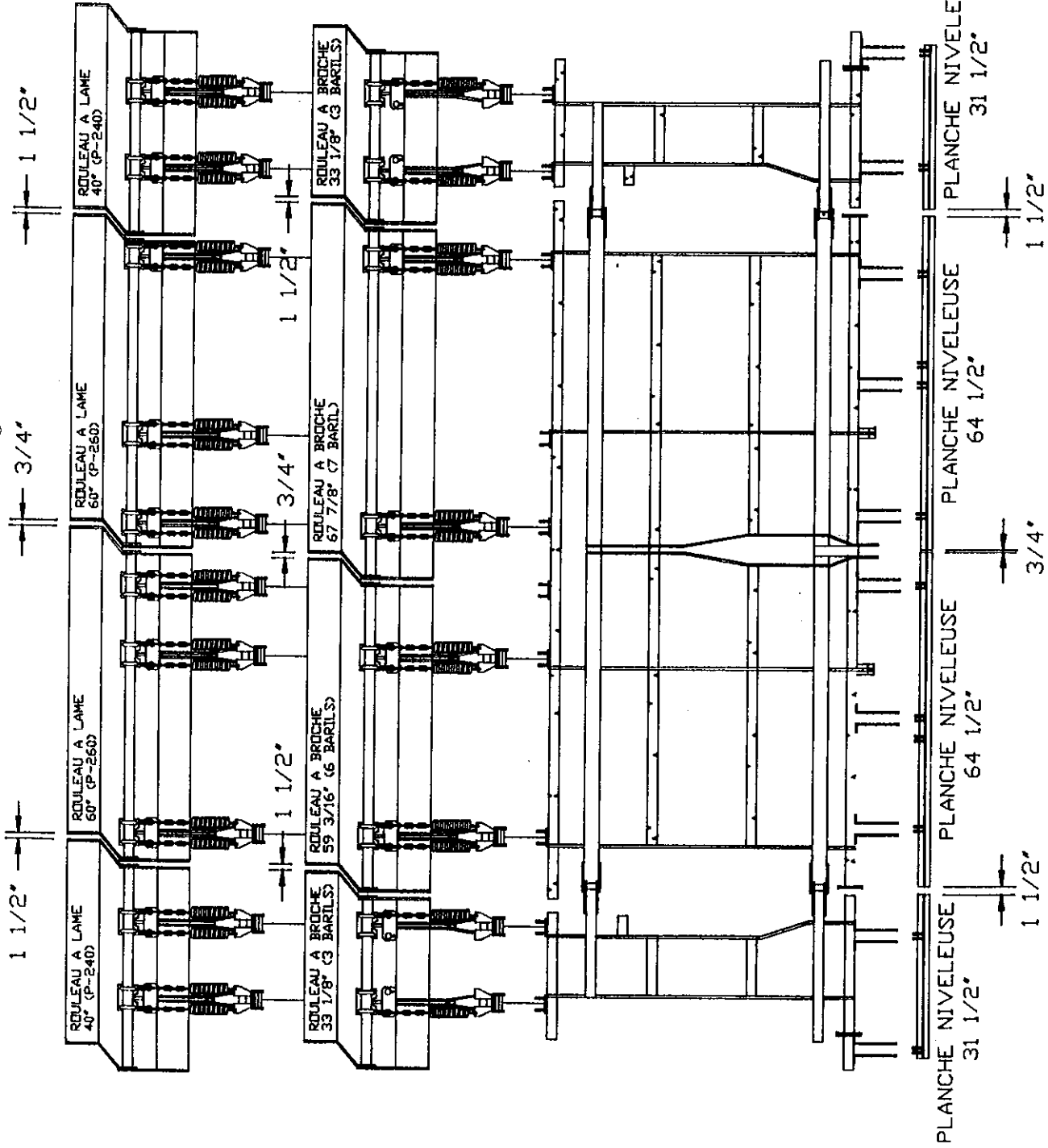
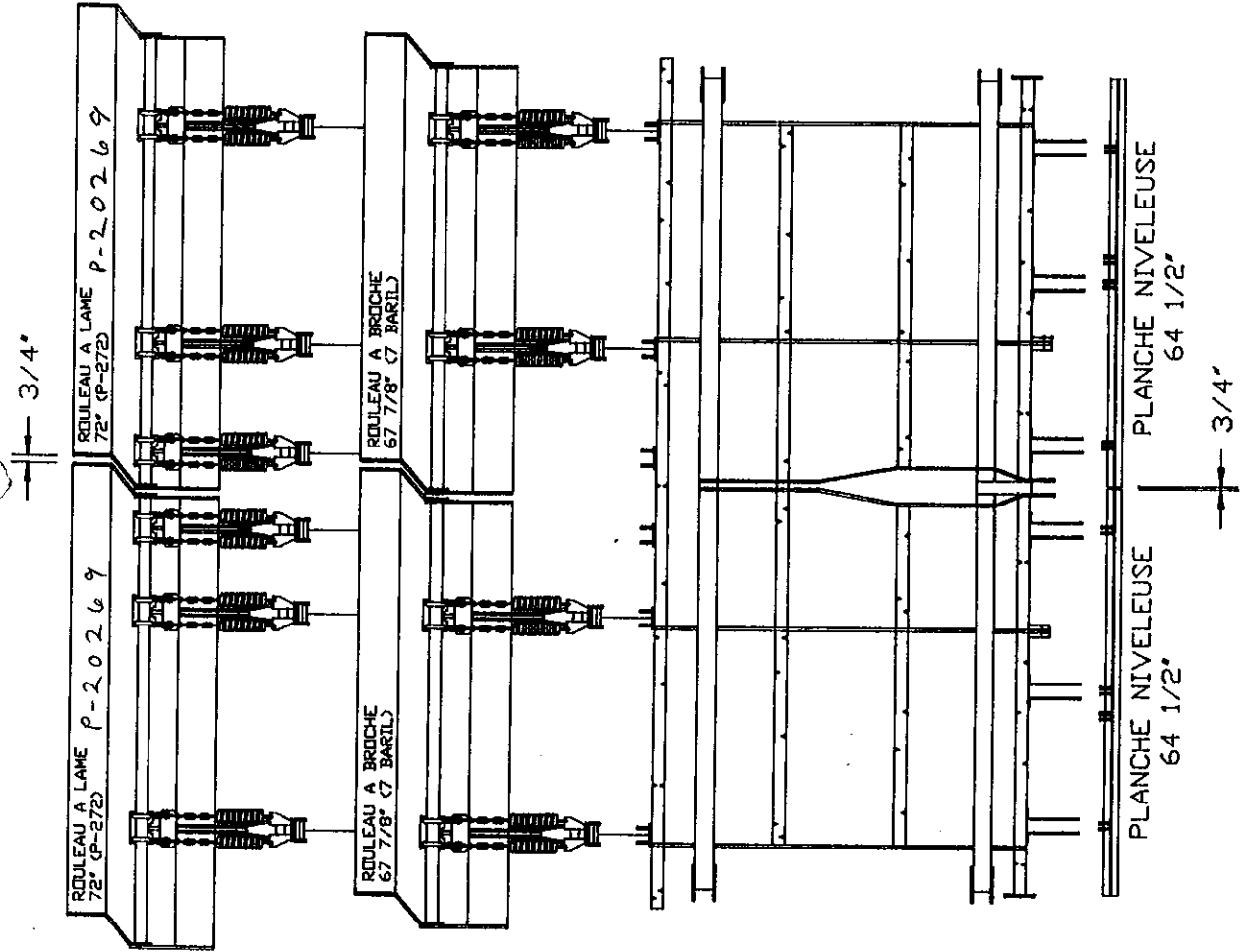


V-215
16'-4"

2 P-20233
1 P-20260
1 P-20269
10 bras

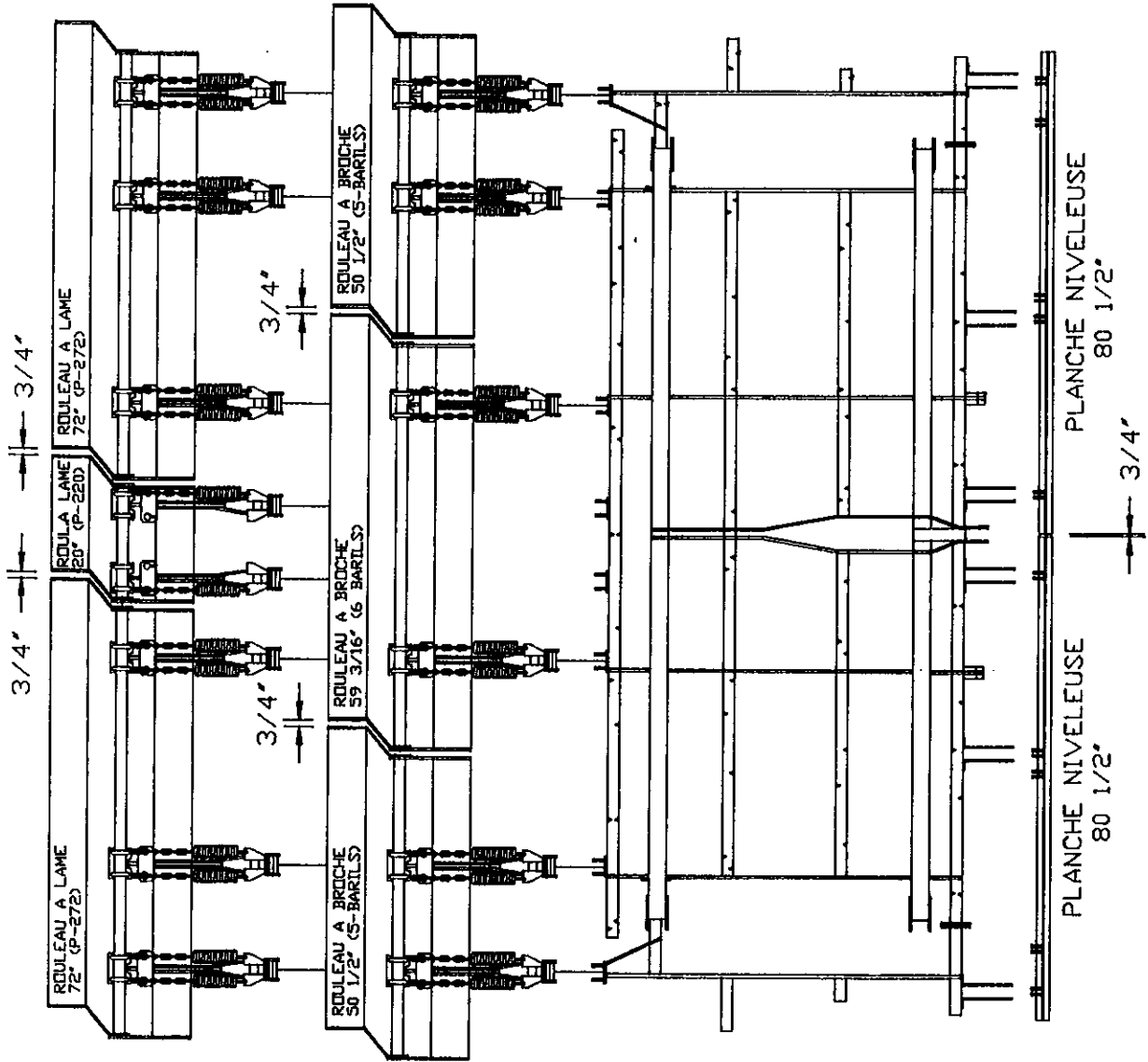


V-2150
11'-0"



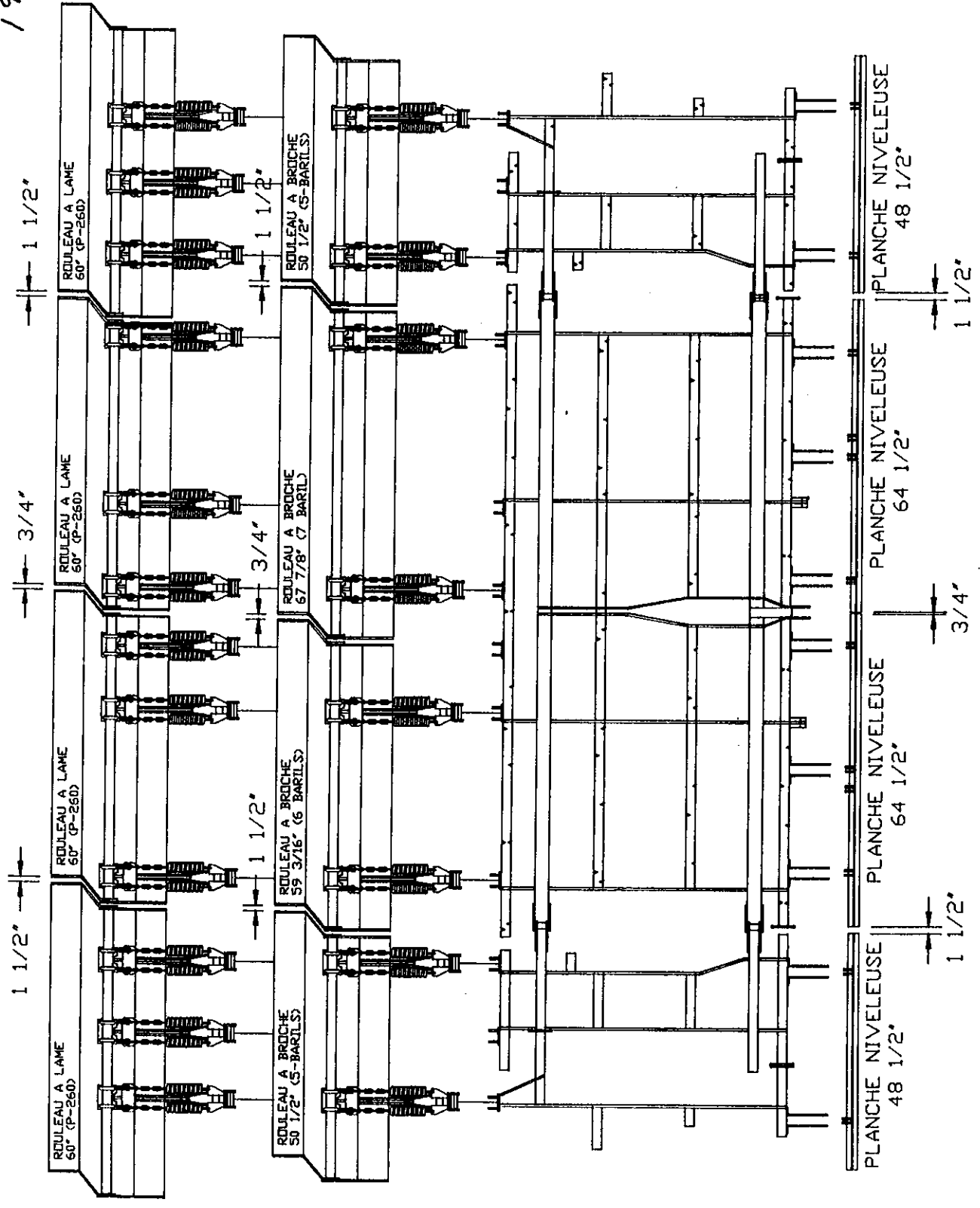
V-2150
13'-8"

- 2 P-20251
- 1 P-20260
- 7 bras

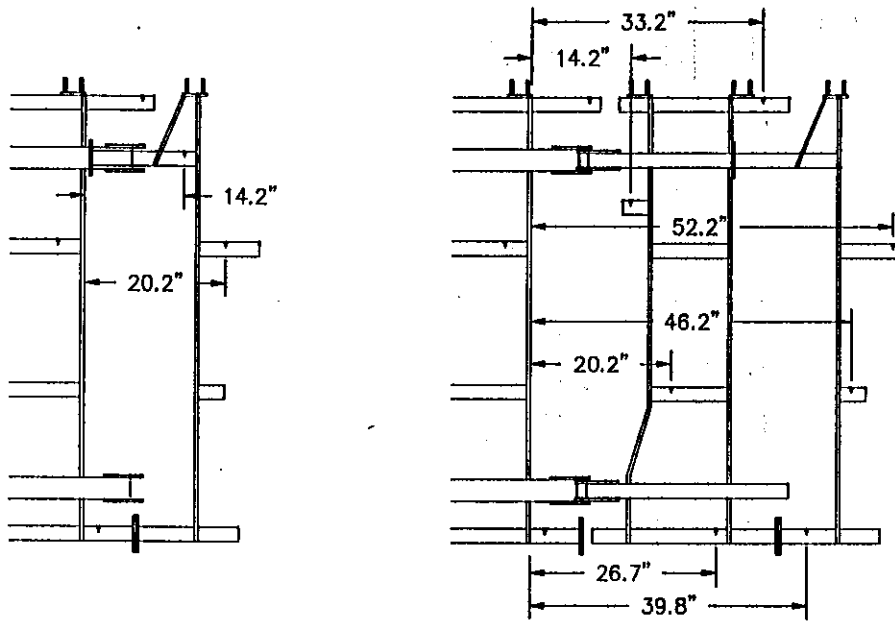
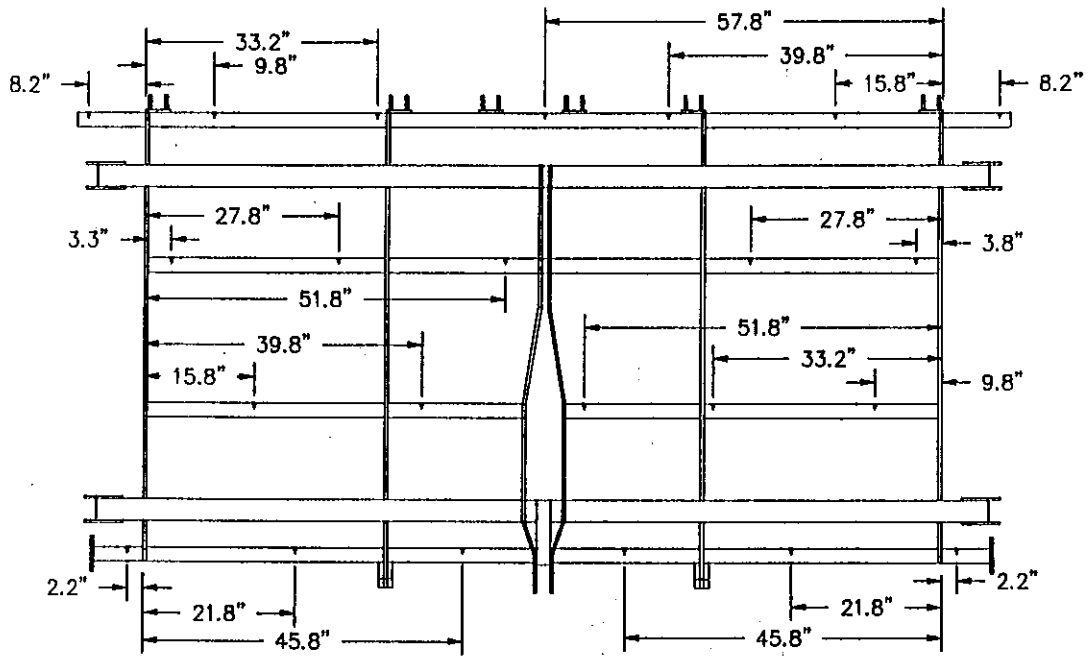


V-2 50
19-0"

- 2 P-20251
- 1 P-20260
- 1 P-20269
- 10 PA-22072

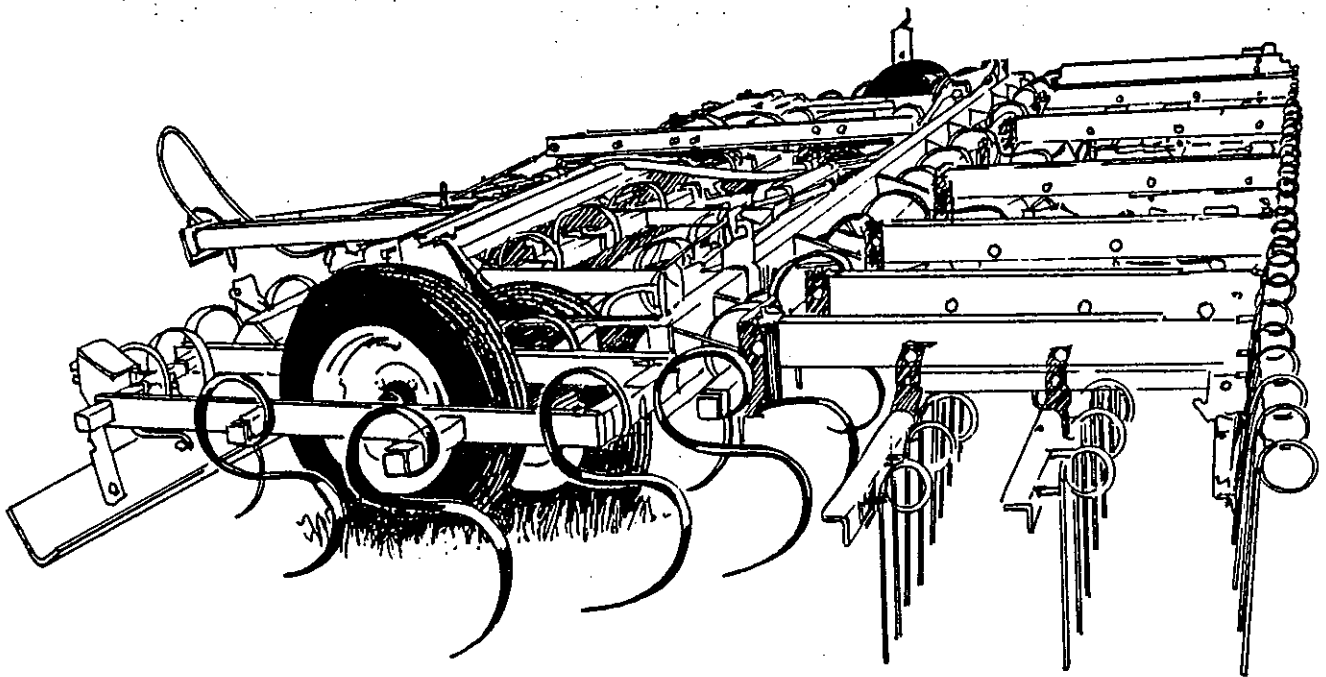


6" ESPACEMENT POUR
VIBRO 2150



spare parts list
pièces détachées

P 2150T



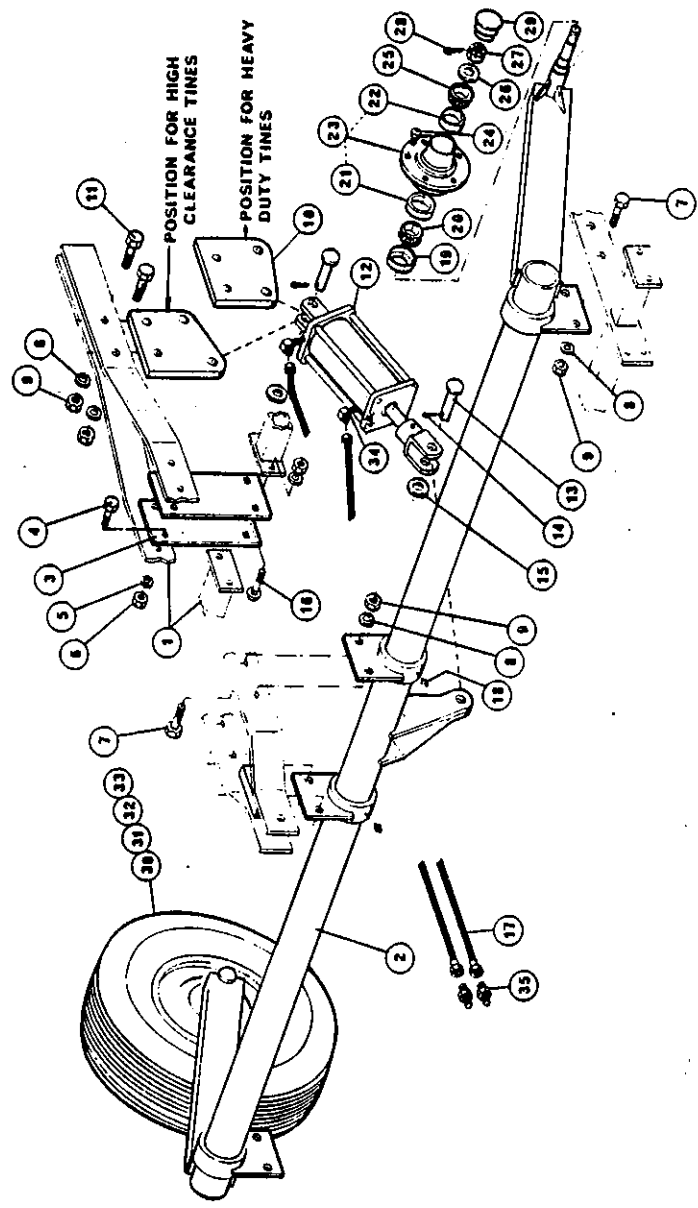
50001165

TABLE OF CONTENTS

	PAGE
WHEEL LIFT	1
OUTRIGGER	2
HINGE WINGS	3
WHEEL JACK ASSEMBLY	4
DRAW BAR ASSEMBLY	5
HYDRAULIC WING LIFT	6
SHARES	7
TRANSPORT BLOCK	8
TINES	9
CYLINDERS	10
OPTIONAL EQUIPMENT	
LEVELLING PLANKS	11
DOUBLE ROLLING HARROWS	12
LONG FINGER HARROWS	13
3 BAR FINGER HARROWS	14
HINGE CONVERSION KIT	15

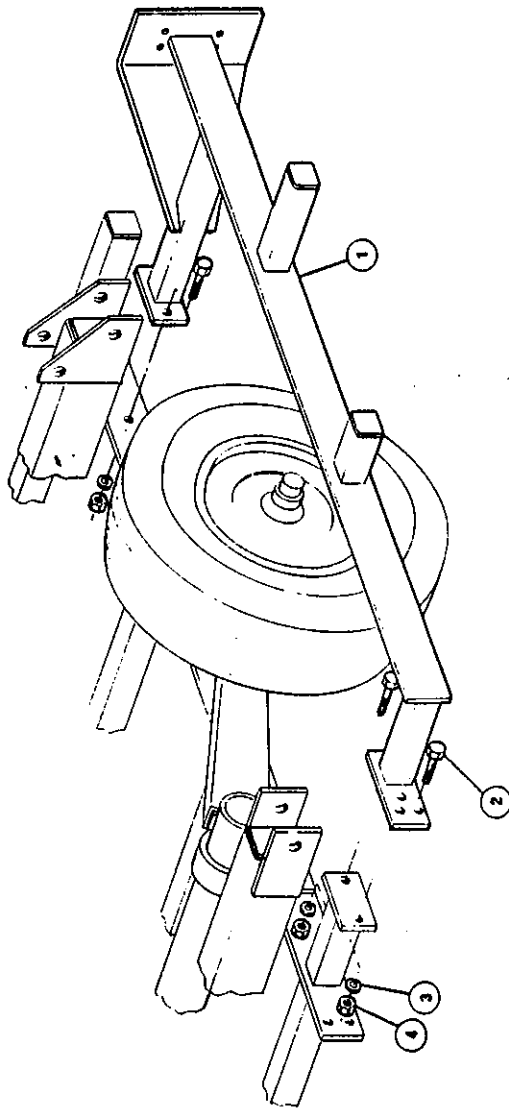
WHEEL LIFT

PART NO.	DESCRIPTION	
1	59410130	1
2	59210331	1
3	59463169	2
4	30279140	4
5	31451101	8
6	30589100	8
7	30279141	8
8	31451201	30
9	30589200	10
10	59263170	1
11	30279144	2
12	59280858	4
13	30867042	1
14	30851924	2
15	31461931	2
16	3028062	4
17	50280821	2
18	41701103	4
19	57880857	2
20	40125001	2
21	40126002	2
22	40126001	2
23	59280855	2
24	30250004	10
25	40125003	2
26	31461013	2
27	30580101	2
28	30851919	2
29	59980856	2
30	59280860	2
31	59280861	2
32	59980859	2
33	57880704	2
34	38621241	2
35	38622410	2



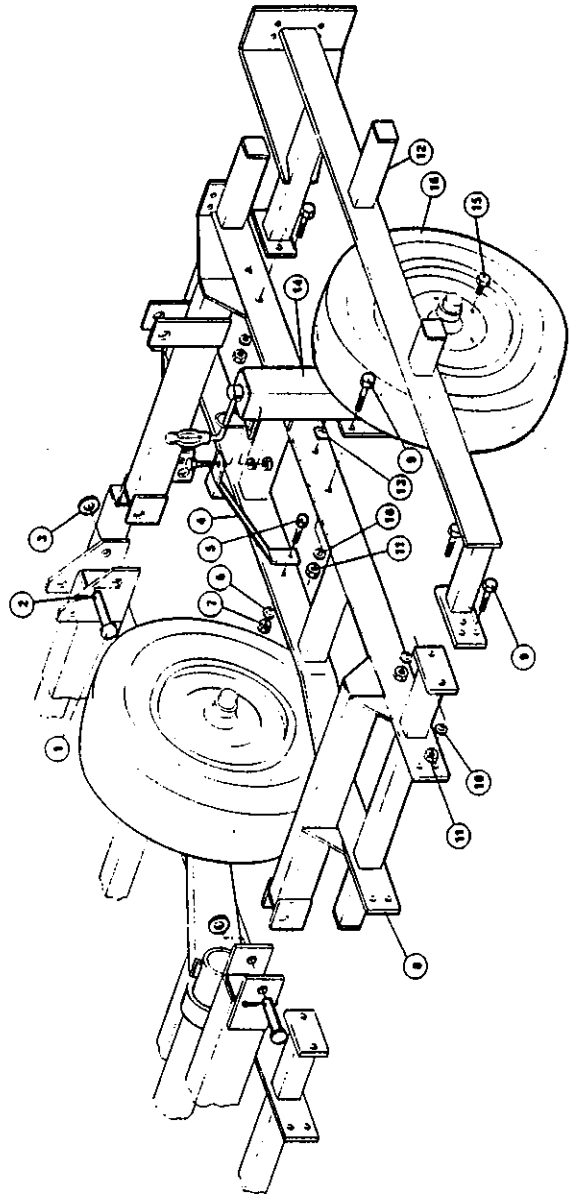
OUTRIGGER-MODEL FC1500T-11.0, 13.0

	PART NO.	DESCRIPTION	
✓ 1	59410332		2
2	30279117	5-.625-11x1.75	8
3	31451101	.625	8
4	30589100	.625-11	8



HINCE WINGS - MODEL FC1500T - 16.4, 19.0

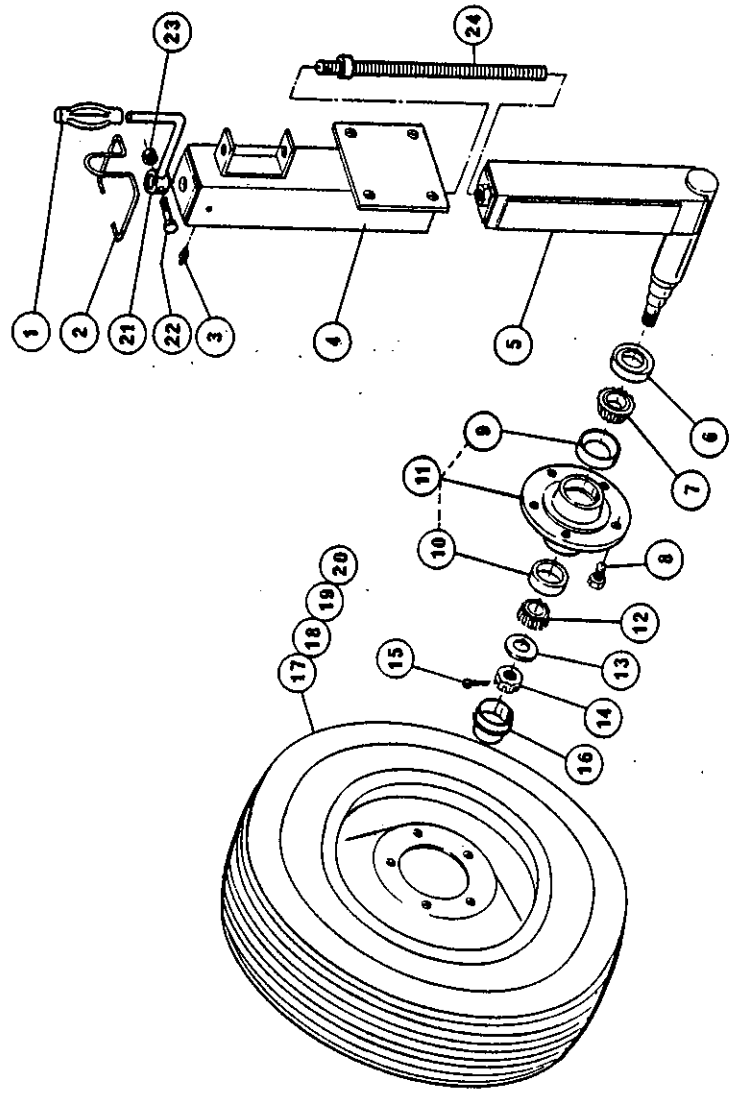
PART NO.	DESCRIPTION	
1	30867056	.875x4.50
2	30851923	.188x1.250
3	31461016	.9381.D.x2.2500.D.x .165 thk.
4	59463171	5-.438-14x1.50
5	30279066	.438
6	31451701	.438-14
7	30589002	L.H. (shown)
8	59490310	R.H.
9	30279117	5-.625-11x1.75
10	31451101	.625
11	30589100	.625-11
12	59410332	
13	59363172	
14	59290104	
15	30250004	.50-20x1.062
16	59082399	5.9x14



att. Normand

WHEEL JACK ASSEMBLY

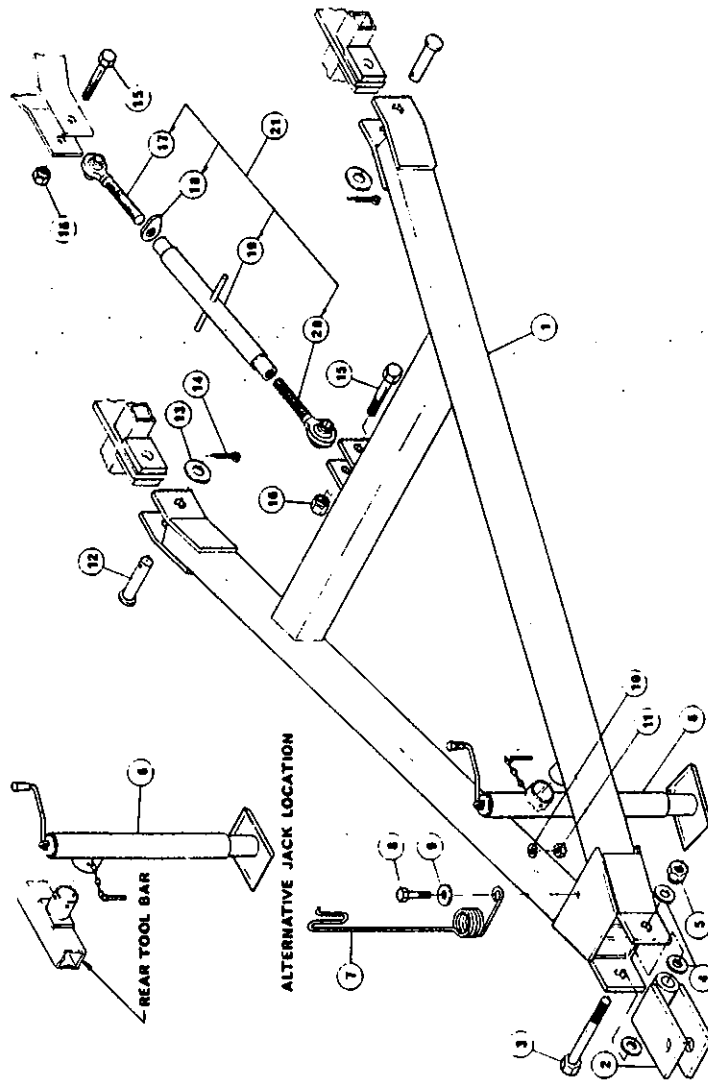
PART NO.	DESCRIPTION	
1	57880862	2
2	59340109	2
3	41701101	2
4	59211028	2
5	59211036	2
6	57880857	2
7	40125001	2
8	30250004	2
9	40126002	10
10	40126001	2
11	59280855	2
12	40125003	2
13	31461013	2
14	30580101	2
15	30851919	2
16	59980856	2
17	59980863	2
18	59280865	2
19	59280864	2
20	57880704	2
21	59311023	2
22	30279007	2
23	30564801	2
24	59311024	2



4-4000

DRAMBAR ASSEMBLY

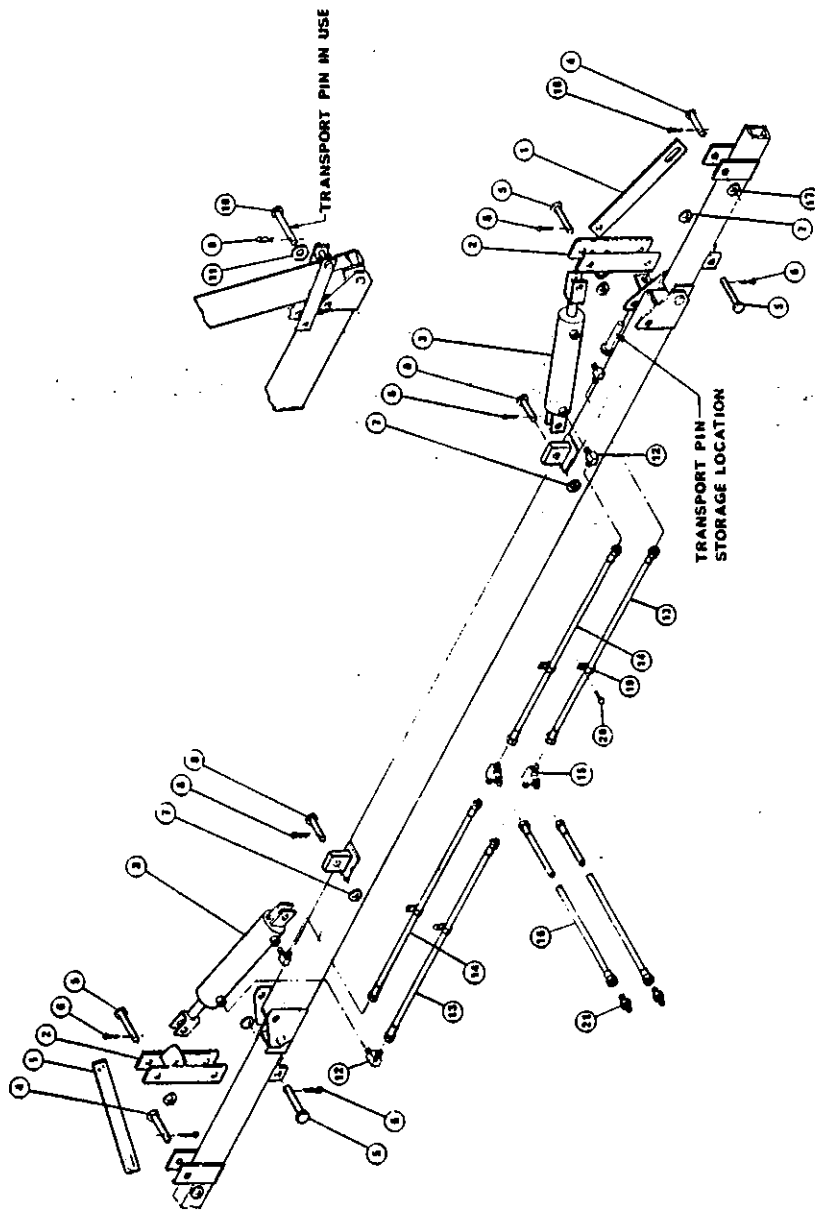
PART NO.	DESCRIPTION	
1	59490312	1
2	59410338	1
3	30279212	1
4	31461941	1
5	30564809	3
6	59380668	1
7	59280669	1
8	30279117	1
9	31461401	1
10	31451101	1
11	30589100	1
12	30867043	1
13	31461931	2
14	30290032	2
15	30279178	2
16	30564808	2
17	59380866	2
18	59380867	2
19	59380868	1
20	59380952	1
21	59382196	1
	R.H.	1
	Complete Assy.	1



HYDRAULIC WING LIFT

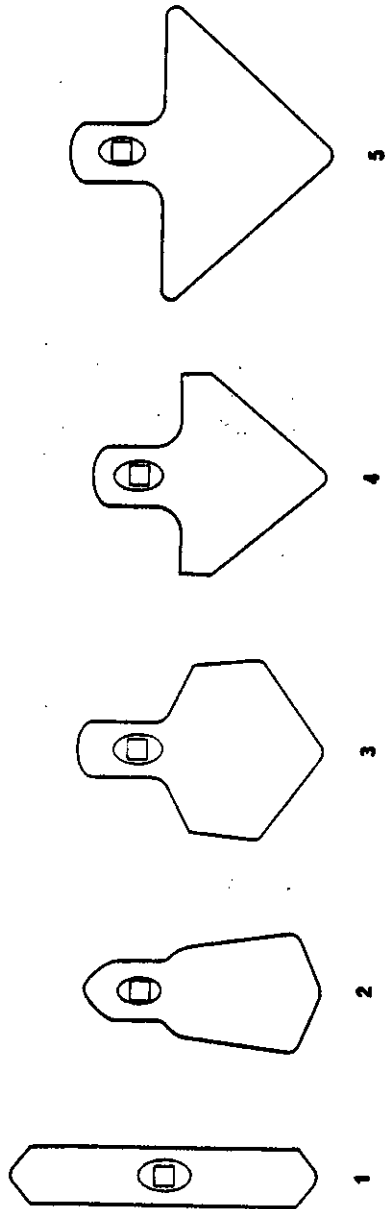
PART NO.	DESCRIPTION	
1	59263173	2
2	59210139	2
3	59281306	2
4	30867067	2
5	30867043	4
6	30851924	8
7	31461931	6
8	30867039	2
9	59380010	2
10	30867057	2
11	31461013	2
12	38621238	4
13	50280871	2
14	50280829	2
15	38622016	2
16	50280872	2
17	31461021	2
18	30851931	2
19	59380873	6
20	30392021	6
21	38622410	2

PART NO.	DESCRIPTION	
2	3x10 (restrictor)	2
2	1.125x4.0	2
2	1x4	4
4	.188x1.50	8
6	1.0621.D.x2.00.D.x	6
6	.125 chk.	6
2	1.0x2.50	2
2	.178x3.563	2
2	.750x4.50	2
2	.813	2
4	.50NPTF (M) x .563-18 (M)	4
2	JIC	2
2	.2501.D.x52	2
2	.2501.D.x44	2
2	.563-18 (M) JIC	2
2	.2501.D.x180	2
2	1.1881.D.x2.7500.D.x	2
2	.165 thk.	2
2	.250x1.750	2
6	#12	6
6	.563-18JIC (M) x .50NPTF	6
2	(M)	2



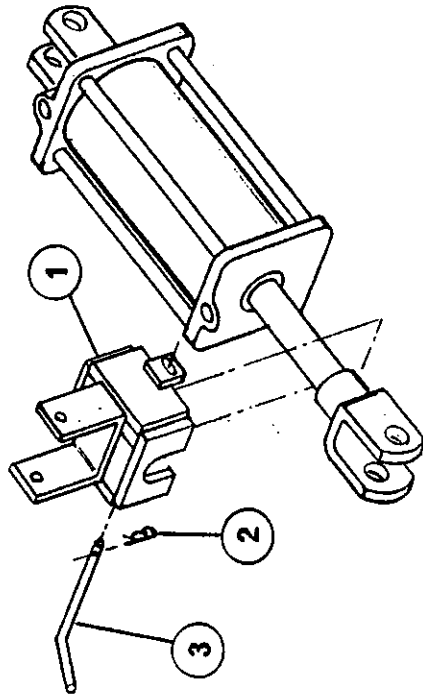
SHARES

	PART NO.	DESCRIPTION
1	59280693	1.375 (35mm) x.25 (6.25 mm)
	59280694	1.500 (40mm) x.25 (6.25 mm)
2	59280695	2.750 (70mm) x.18 (4.75 mm)
	59280696	2.750 (70mm) x.25 (6.25 mm)
3	59280697	4.00 (101mm) x.18 (4.75 mm)
4	59280698	4.00 (101mm) x.25 (6.25 mm)
5	59280699	7.00 (178mm) x.18 (4.75 mm)
	59280700	Gross share

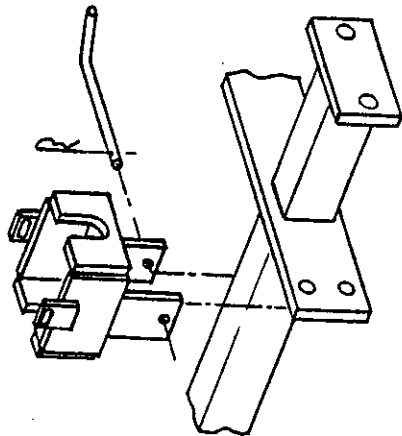


TRANSPORT BLOCK

PART NO.	DESCRIPTION	
1	59210340	1
2	59380010	3, 375
3	30258060	.50x7, 38



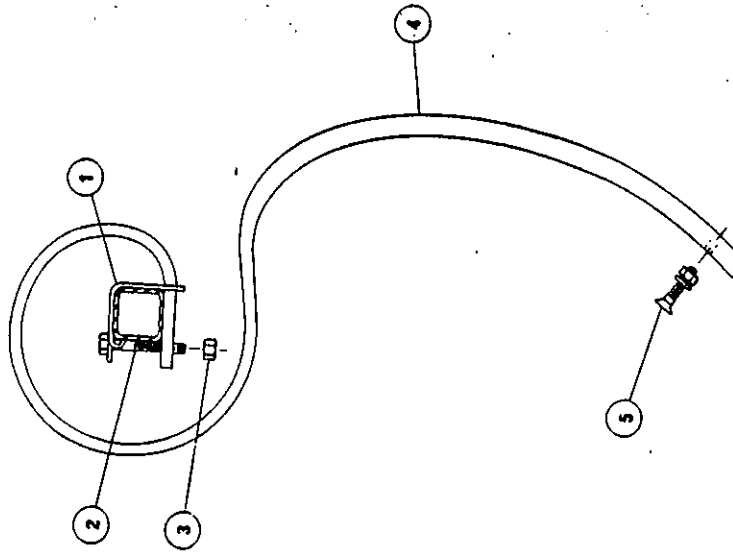
TRANSPORT POSITION



STORAGE POSITION

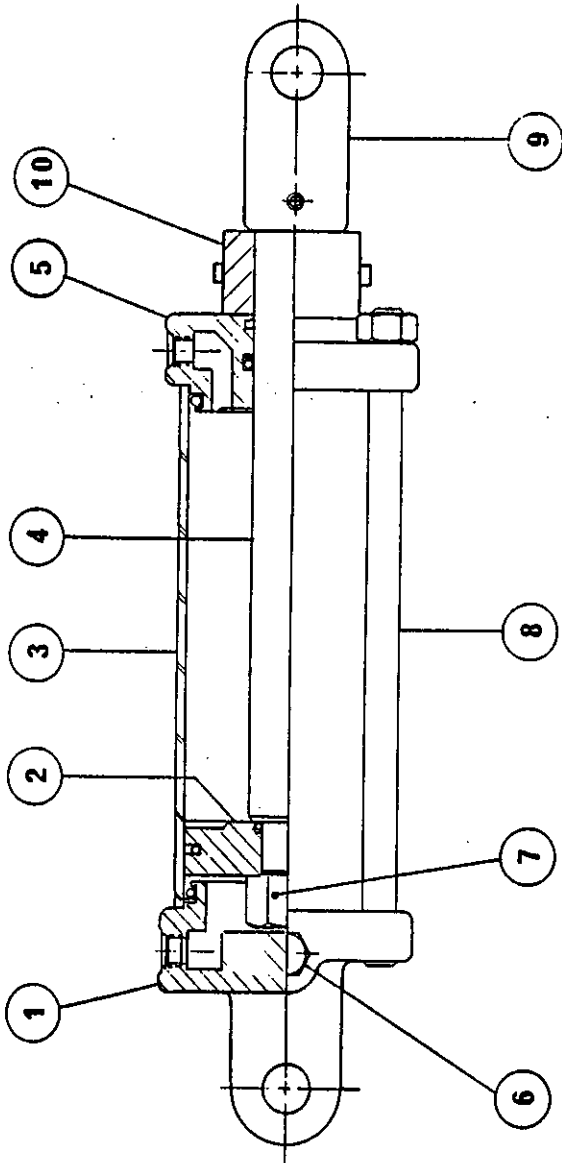
TINES

PART NO.	DESCRIPTION
1	59263126 12x32mm
	59263127 12x38mm
	59263128 12x45mm
2	30279091 .50-13x3.50
3	30564800 .50-13 (locknut)
4	59280675 12mmx32mmS.C.
	59280676 10mmx32mmS.C.
	59280677 12mmx32mmH.C.
	59280678 12mmx38mmH.C.
	59280679 12mmx45mmH.C.



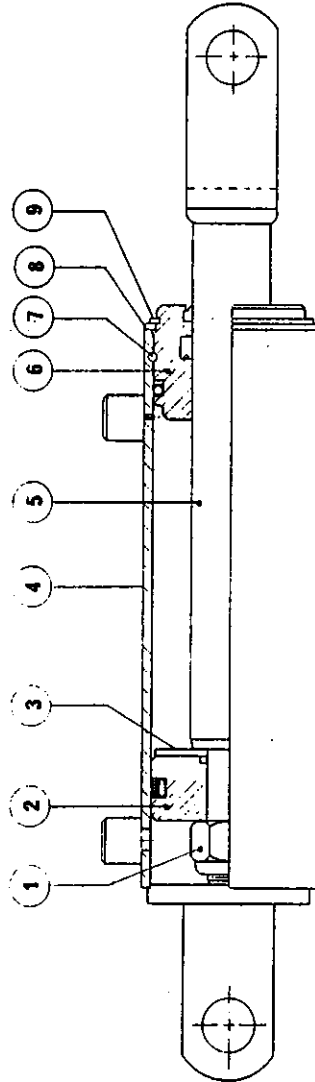
HYDRAULIC CYLINDER
WHEEL LIFT

PART NO.	DESCRIPTION	
59280858	4.08x8.05	1
59280924		1
50280733		1
59280874		1
50280875		1
50280837		1
50280838		1
50280724		1
59280719		4
59280719		4
59280876	Seal Kit	1
57880839		1



HYDRAULIC CYLINDER
WING LIFT

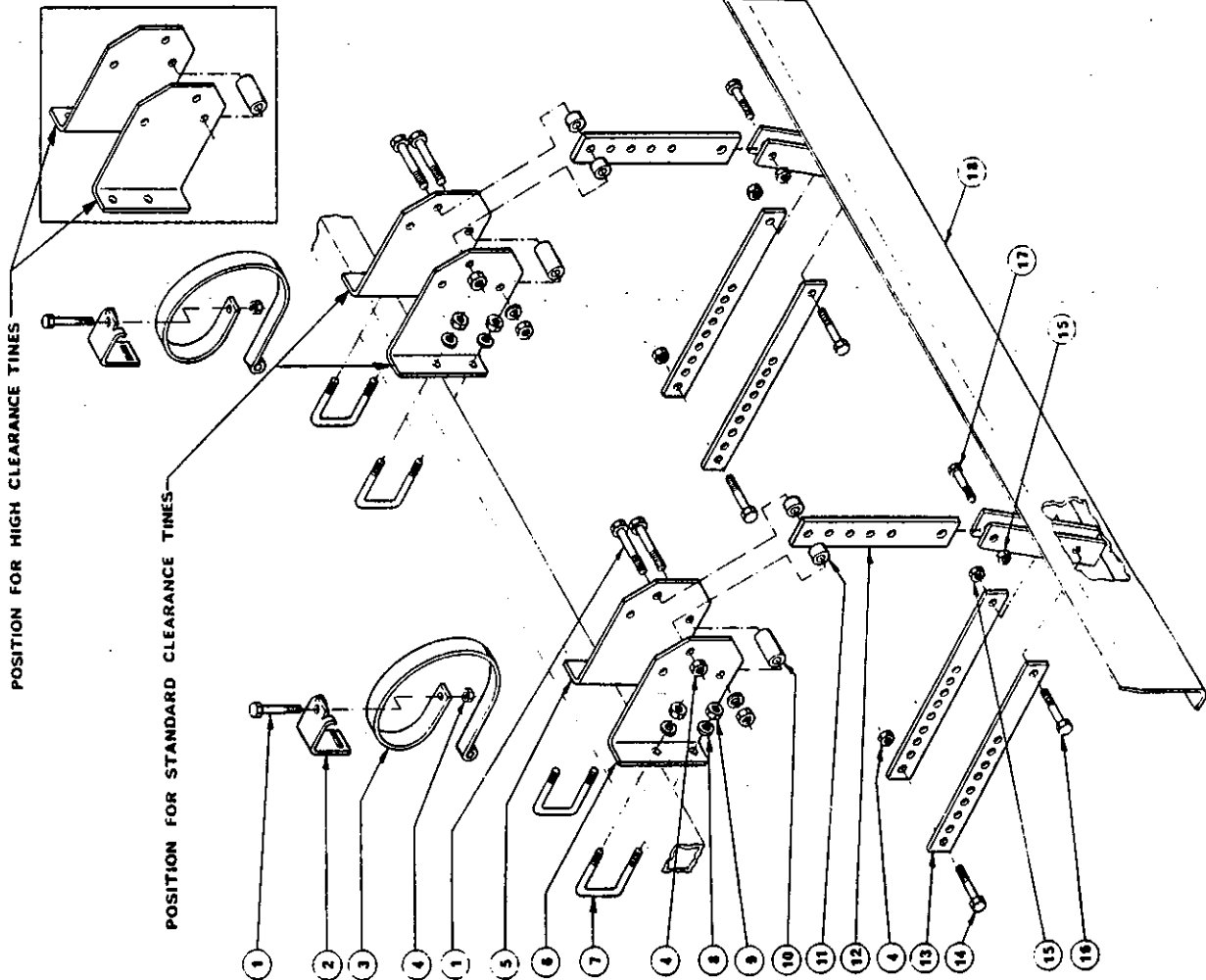
PART NO.	DESCRIPTION	
59281306	3.0x10	1
50280755		1
50280748		1
50280749		1
59280879		1
50280880		1
50280754		1
50280760		1
50280761		1
50280753		1
57880877	Seal Kit	1



INSTALLING PLAINS

PLAIN NO.	PLAIN DESCRIPTION	QTY.	REV.
1	3"-30x1-1/2 M.S. 20	4	1
2	3"-30x1-1/2 M.S. 20	4	1
3	3"-30x1-1/2 M.S. 20	4	1
4	3"-30x1-1/2 M.S. 20	4	1
5	3"-30x1-1/2 M.S. 20	4	1
6	3"-30x1-1/2 M.S. 20	4	1
7	3"-30x1-1/2 M.S. 20	4	1
8	3"-30x1-1/2 M.S. 20	4	1
9	3"-30x1-1/2 M.S. 20	4	1
10	3"-30x1-1/2 M.S. 20	4	1
11	3"-30x1-1/2 M.S. 20	4	1
12	3"-30x1-1/2 M.S. 20	4	1
13	3"-30x1-1/2 M.S. 20	4	1
14	3"-30x1-1/2 M.S. 20	4	1
15	3"-30x1-1/2 M.S. 20	4	1
16	3"-30x1-1/2 M.S. 20	4	1
17	3"-30x1-1/2 M.S. 20	4	1
18	3"-30x1-1/2 M.S. 20	4	1

PLAIN	QTY.	REV.	DATE	BY	CHK.
RECTANG-11.8	4	1	10/10/55	WJL	
RECTANG-11.8	4	1	10/10/55	WJL	
RECTANG-11.8	4	1	10/10/55	WJL	
RECTANG-11.8	4	1	10/10/55	WJL	
RECTANG-11.8	4	1	10/10/55	WJL	
RECTANG-11.8	4	1	10/10/55	WJL	
RECTANG-11.8	4	1	10/10/55	WJL	
RECTANG-11.8	4	1	10/10/55	WJL	
RECTANG-11.8	4	1	10/10/55	WJL	
RECTANG-11.8	4	1	10/10/55	WJL	

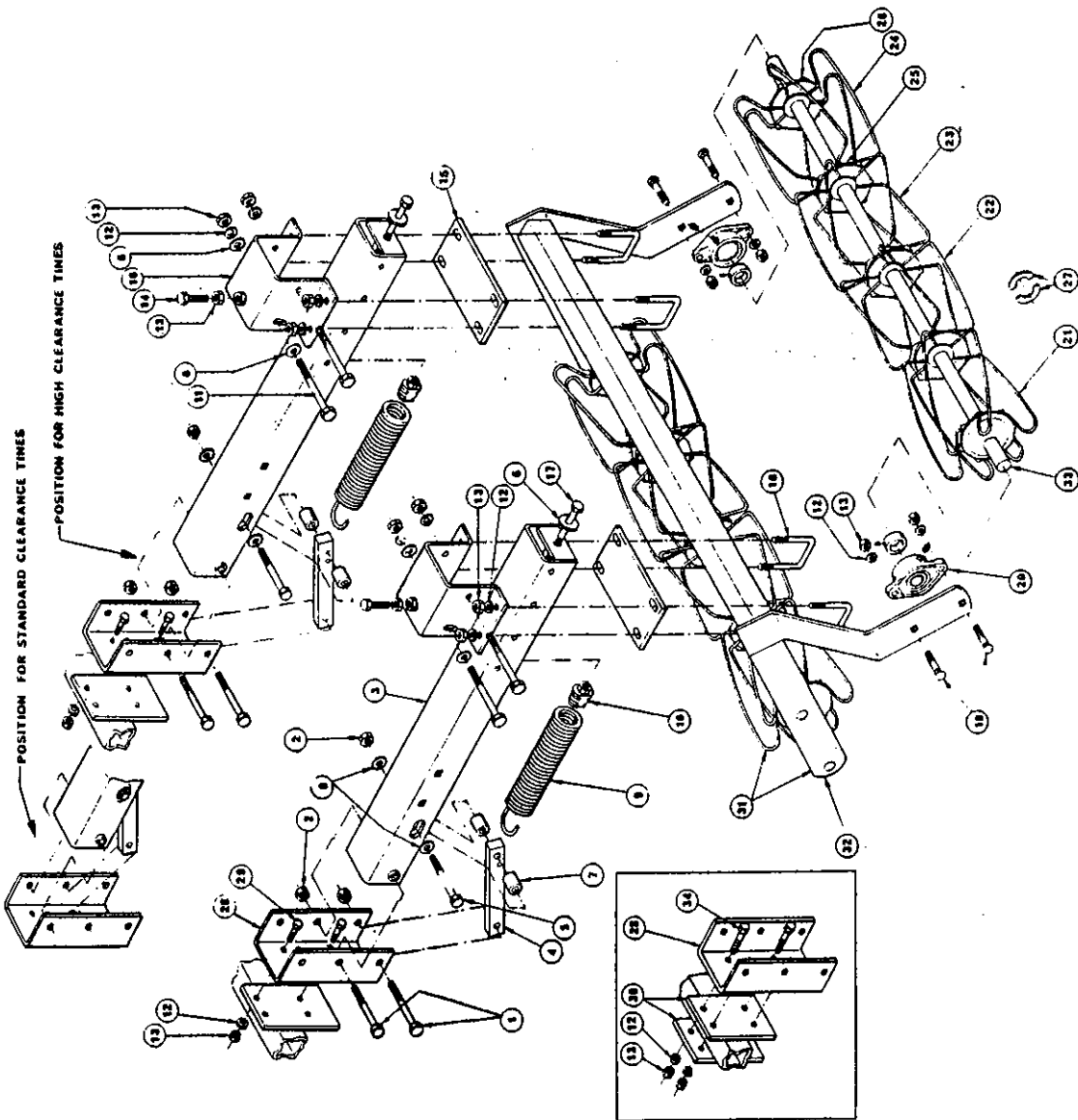


MILLING MACHINES

PART NO.	DESCRIPTION	11.0	11.1	11.2	11.3	11.4	11.5
80279128	5'-425-1164.75	4	4	4	4	4	4
59210234	5'-425-1164.75	4	4	4	4	4	4
59210235	5'-425-1164.75	4	4	4	4	4	4
59210236	5'-425-1164.75	4	4	4	4	4	4
59210237	5'-425-1164.75	4	4	4	4	4	4
59210238	5'-425-1164.75	4	4	4	4	4	4
59210239	5'-425-1164.75	4	4	4	4	4	4
59210240	5'-425-1164.75	4	4	4	4	4	4
59210241	5'-425-1164.75	4	4	4	4	4	4
59210242	5'-425-1164.75	4	4	4	4	4	4
59210243	5'-425-1164.75	4	4	4	4	4	4
59210244	5'-425-1164.75	4	4	4	4	4	4
59210245	5'-425-1164.75	4	4	4	4	4	4
59210246	5'-425-1164.75	4	4	4	4	4	4
59210247	5'-425-1164.75	4	4	4	4	4	4
59210248	5'-425-1164.75	4	4	4	4	4	4
59210249	5'-425-1164.75	4	4	4	4	4	4
59210250	5'-425-1164.75	4	4	4	4	4	4
59210251	5'-425-1164.75	4	4	4	4	4	4
59210252	5'-425-1164.75	4	4	4	4	4	4
59210253	5'-425-1164.75	4	4	4	4	4	4
59210254	5'-425-1164.75	4	4	4	4	4	4
59210255	5'-425-1164.75	4	4	4	4	4	4
59210256	5'-425-1164.75	4	4	4	4	4	4
59210257	5'-425-1164.75	4	4	4	4	4	4
59210258	5'-425-1164.75	4	4	4	4	4	4
59210259	5'-425-1164.75	4	4	4	4	4	4
59210260	5'-425-1164.75	4	4	4	4	4	4
59210261	5'-425-1164.75	4	4	4	4	4	4
59210262	5'-425-1164.75	4	4	4	4	4	4
59210263	5'-425-1164.75	4	4	4	4	4	4
59210264	5'-425-1164.75	4	4	4	4	4	4
59210265	5'-425-1164.75	4	4	4	4	4	4
59210266	5'-425-1164.75	4	4	4	4	4	4
59210267	5'-425-1164.75	4	4	4	4	4	4
59210268	5'-425-1164.75	4	4	4	4	4	4
59210269	5'-425-1164.75	4	4	4	4	4	4
59210270	5'-425-1164.75	4	4	4	4	4	4
59210271	5'-425-1164.75	4	4	4	4	4	4
59210272	5'-425-1164.75	4	4	4	4	4	4
59210273	5'-425-1164.75	4	4	4	4	4	4
59210274	5'-425-1164.75	4	4	4	4	4	4
59210275	5'-425-1164.75	4	4	4	4	4	4
59210276	5'-425-1164.75	4	4	4	4	4	4
59210277	5'-425-1164.75	4	4	4	4	4	4
59210278	5'-425-1164.75	4	4	4	4	4	4
59210279	5'-425-1164.75	4	4	4	4	4	4
59210280	5'-425-1164.75	4	4	4	4	4	4
59210281	5'-425-1164.75	4	4	4	4	4	4
59210282	5'-425-1164.75	4	4	4	4	4	4
59210283	5'-425-1164.75	4	4	4	4	4	4
59210284	5'-425-1164.75	4	4	4	4	4	4
59210285	5'-425-1164.75	4	4	4	4	4	4
59210286	5'-425-1164.75	4	4	4	4	4	4
59210287	5'-425-1164.75	4	4	4	4	4	4
59210288	5'-425-1164.75	4	4	4	4	4	4
59210289	5'-425-1164.75	4	4	4	4	4	4
59210290	5'-425-1164.75	4	4	4	4	4	4
59210291	5'-425-1164.75	4	4	4	4	4	4
59210292	5'-425-1164.75	4	4	4	4	4	4
59210293	5'-425-1164.75	4	4	4	4	4	4
59210294	5'-425-1164.75	4	4	4	4	4	4
59210295	5'-425-1164.75	4	4	4	4	4	4
59210296	5'-425-1164.75	4	4	4	4	4	4
59210297	5'-425-1164.75	4	4	4	4	4	4
59210298	5'-425-1164.75	4	4	4	4	4	4
59210299	5'-425-1164.75	4	4	4	4	4	4
59210300	5'-425-1164.75	4	4	4	4	4	4

31 Complete Assy.	32 Flange Mount	33 Drum Mountment	N.M.
79680131	59210238	59210243	59210248
79680132	59210240	59210245	59210250
79680133	59210241	59210246	59210251
79680134	59210242	59210247	59210252
79680135	59210243	59210248	59210253

MODEL	CENTRE SECTION	WING SECTION
FC1500P-11.0	7 Drum	7 Drum
FC1500P-11.8	9 Drum	9 Drum
FC1500P-16.4	7 Drum	7 Drum
FC1500P-19.0	6 Drum	5 Drum

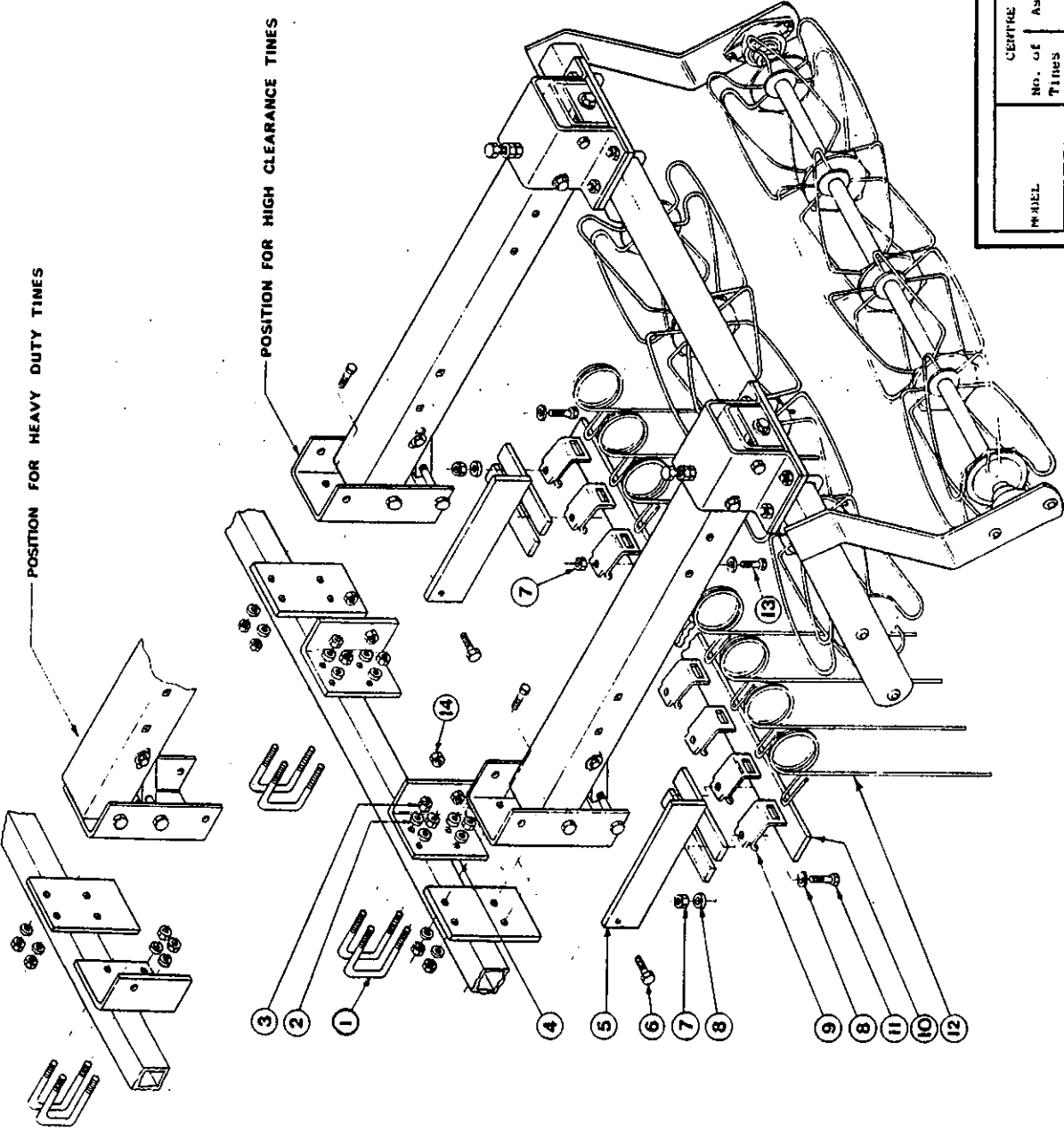


OPTIONAL EQUIPMENT

LONG FINGER DIMENSIONS

PART NO.	DESCRIPTION	
1	5934010R	4
2	31451701	8
3	30589002	2
4	59210326	2
5	59230327	2
6	30279087	2
7	30564800	2
8	31461018	2
9	59263159	2
10	**	2
11	30279087	1
12	59263159	4
13	30279087	4
14	30589004	2

*Key, as required
 **See chart below for list number.



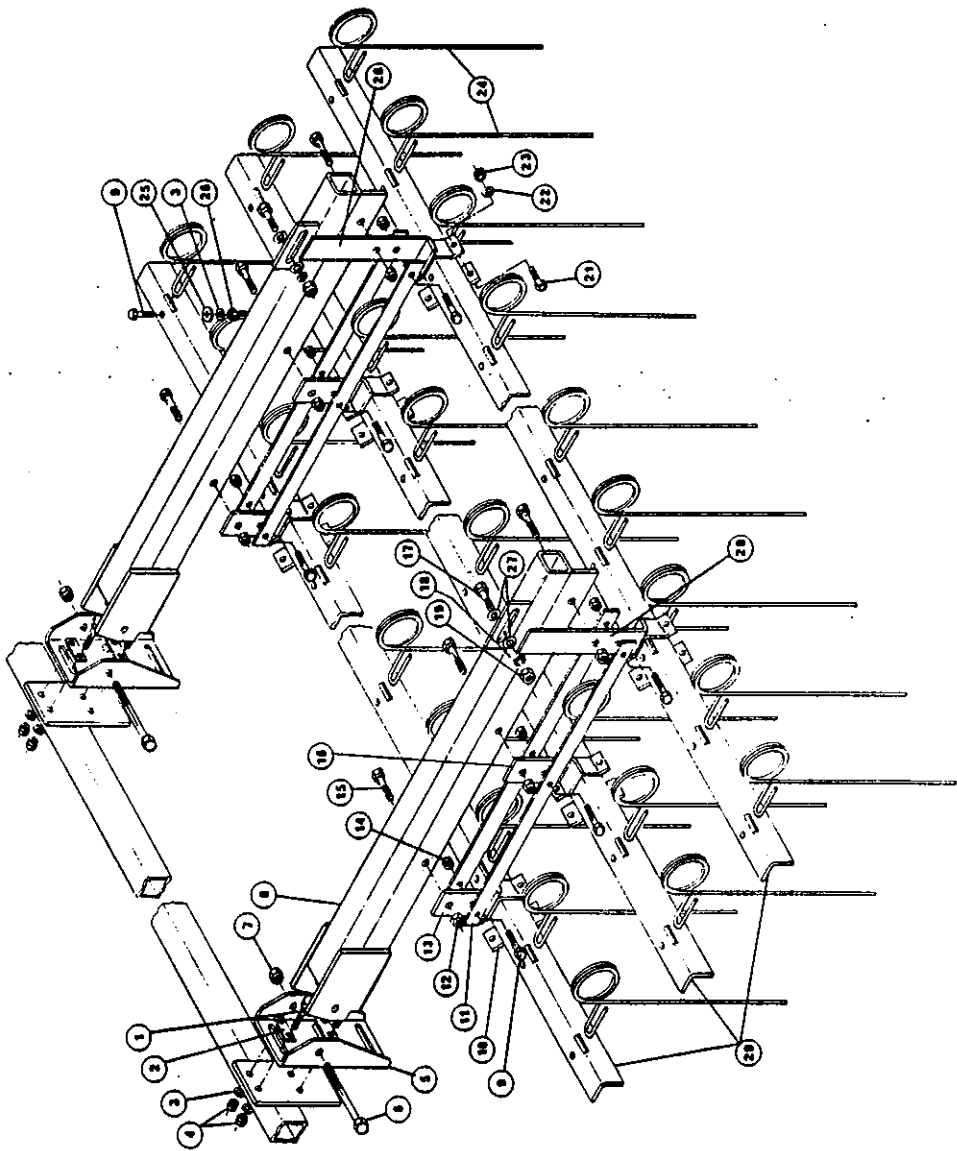
POSITION FOR HEAVY DUTY TINES

POSITION FOR HIGH CLEARANCE TINES

MODEL	CENTRE SECTION PAIR		WING PAIR	
	No. of Tines	Assy. No.	No. of Tines	Assy. No.
FC1500T-11.0	34	79680126	16	79680121
FC1500T-13.8	42	79680126	24	79680122
FC1500T-16.4	34	79680126	16	79680121
FC1500T-19.0	34	79680126	24	79680122

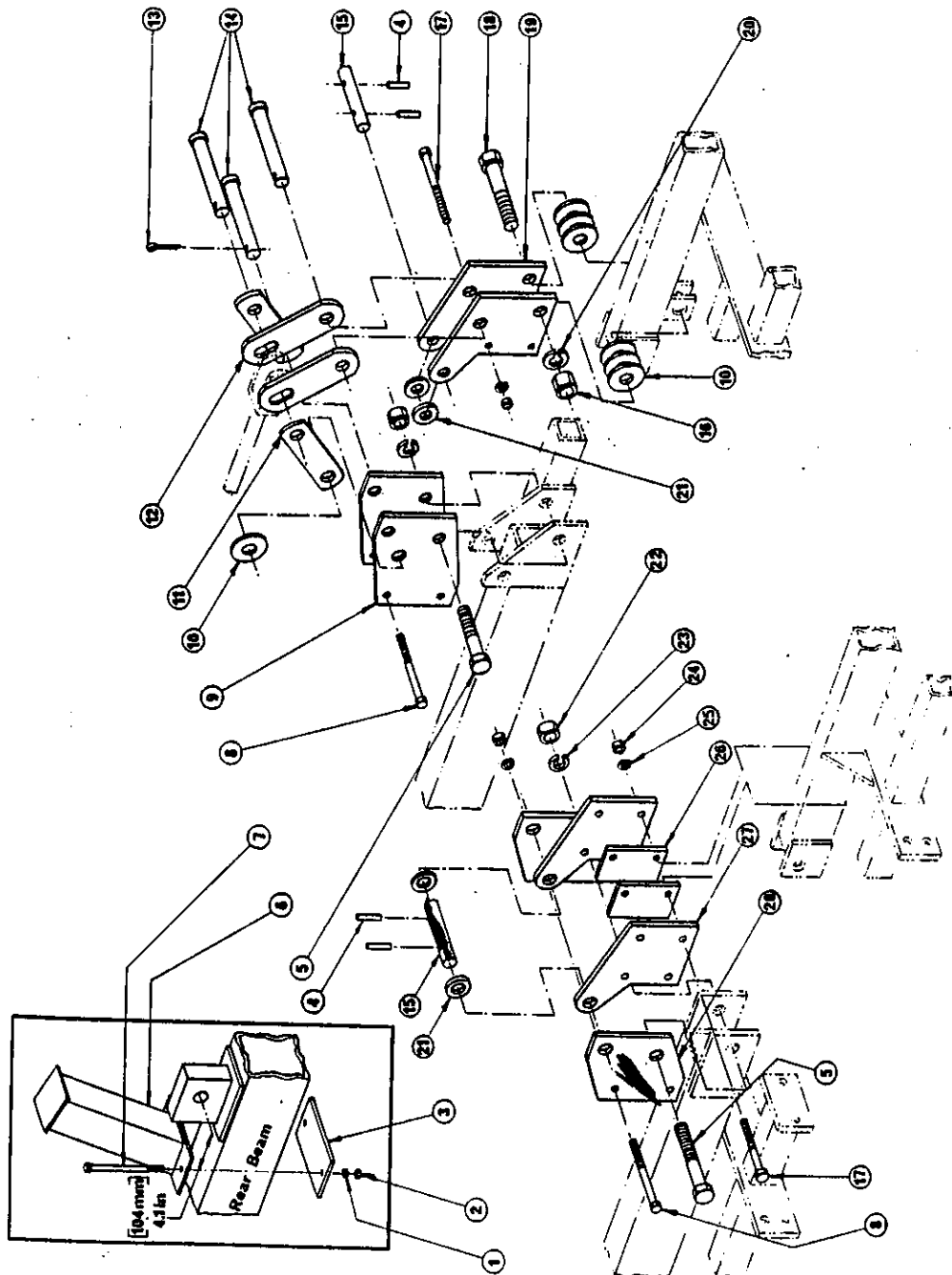
1. BOM PLUMBER MANNING

ITEM NO.	DESCRIPTION	QTY	UOM	11.0	11.4	11.6	11.8	12.0	12.2	12.4	12.6	12.8	13.0
1	57-500-1481-75	1	EA	1	1	1	1	1	1	1	1	1	1
2	57-500-1481-75	1	EA	1	1	1	1	1	1	1	1	1	1
3	57-500-1481-75	1	EA	1	1	1	1	1	1	1	1	1	1
4	57-500-1481-75	1	EA	1	1	1	1	1	1	1	1	1	1
5	57-500-1481-75	1	EA	1	1	1	1	1	1	1	1	1	1
6	57-500-1481-75	1	EA	1	1	1	1	1	1	1	1	1	1
7	57-500-1481-75	1	EA	1	1	1	1	1	1	1	1	1	1
8	57-500-1481-75	1	EA	1	1	1	1	1	1	1	1	1	1
9	57-500-1481-75	1	EA	1	1	1	1	1	1	1	1	1	1
10	57-500-1481-75	1	EA	1	1	1	1	1	1	1	1	1	1
11	57-500-1481-75	1	EA	1	1	1	1	1	1	1	1	1	1
12	57-500-1481-75	1	EA	1	1	1	1	1	1	1	1	1	1
13	57-500-1481-75	1	EA	1	1	1	1	1	1	1	1	1	1
14	57-500-1481-75	1	EA	1	1	1	1	1	1	1	1	1	1
15	57-500-1481-75	1	EA	1	1	1	1	1	1	1	1	1	1
16	57-500-1481-75	1	EA	1	1	1	1	1	1	1	1	1	1
17	57-500-1481-75	1	EA	1	1	1	1	1	1	1	1	1	1
18	57-500-1481-75	1	EA	1	1	1	1	1	1	1	1	1	1
19	57-500-1481-75	1	EA	1	1	1	1	1	1	1	1	1	1
20	57-500-1481-75	1	EA	1	1	1	1	1	1	1	1	1	1
21	57-500-1481-75	1	EA	1	1	1	1	1	1	1	1	1	1
22	57-500-1481-75	1	EA	1	1	1	1	1	1	1	1	1	1
23	57-500-1481-75	1	EA	1	1	1	1	1	1	1	1	1	1
24	57-500-1481-75	1	EA	1	1	1	1	1	1	1	1	1	1
25	57-500-1481-75	1	EA	1	1	1	1	1	1	1	1	1	1
26	57-500-1481-75	1	EA	1	1	1	1	1	1	1	1	1	1
27	57-500-1481-75	1	EA	1	1	1	1	1	1	1	1	1	1
28	57-500-1481-75	1	EA	1	1	1	1	1	1	1	1	1	1
29	57-500-1481-75	1	EA	1	1	1	1	1	1	1	1	1	1
30	57-500-1481-75	1	EA	1	1	1	1	1	1	1	1	1	1
31	57-500-1481-75	1	EA	1	1	1	1	1	1	1	1	1	1
32	57-500-1481-75	1	EA	1	1	1	1	1	1	1	1	1	1
33	57-500-1481-75	1	EA	1	1	1	1	1	1	1	1	1	1
34	57-500-1481-75	1	EA	1	1	1	1	1	1	1	1	1	1
35	57-500-1481-75	1	EA	1	1	1	1	1	1	1	1	1	1
36	57-500-1481-75	1	EA	1	1	1	1	1	1	1	1	1	1
37	57-500-1481-75	1	EA	1	1	1	1	1	1	1	1	1	1
38	57-500-1481-75	1	EA	1	1	1	1	1	1	1	1	1	1
39	57-500-1481-75	1	EA	1	1	1	1	1	1	1	1	1	1
40	57-500-1481-75	1	EA	1	1	1	1	1	1	1	1	1	1
41	57-500-1481-75	1	EA	1	1	1	1	1	1	1	1	1	1
42	57-500-1481-75	1	EA	1	1	1	1	1	1	1	1	1	1
43	57-500-1481-75	1	EA	1	1	1	1	1	1	1	1	1	1
44	57-500-1481-75	1	EA	1	1	1	1	1	1	1	1	1	1
45	57-500-1481-75	1	EA	1	1	1	1	1	1	1	1	1	1
46	57-500-1481-75	1	EA	1	1	1	1	1	1	1	1	1	1
47	57-500-1481-75	1	EA	1	1	1	1	1	1	1	1	1	1
48	57-500-1481-75	1	EA	1	1	1	1	1	1	1	1	1	1
49	57-500-1481-75	1	EA	1	1	1	1	1	1	1	1	1	1
50	57-500-1481-75	1	EA	1	1	1	1	1	1	1	1	1	1



HINGE CONVERSION KIT

PART NO.	DESCRIPTION	
1	31451601	.375
2	30589600	.375-16
3	59250543	
4	30819010	.250x1.75
5	30279168	.875-9x5.50
6	59210912	
7	30279057	5-.375-16x5.00
8	30279097	5-.500-13x5.50
9	59463780	1.062
10	31461018	
11	59250540	
12	59250541	
13	30851924	.168x1.50
14	30867044	1.00x6.00
15	59150544	
16	30589004	1.00-8
17	30279094	5-.500-13x4.50
18	30279179	5-1.000-8x5.00
19	59463779	"C"
20	31451910	1.00
21	31461951	.938
22	30589930	.875-9
23	31451002	.875
24	30589800	.500-13
25	31451801	.500
26	59450542	
27	59463777	"A"
28	59463778	"B"



4" ESPACEMENT POUR
VIBRO 2150

