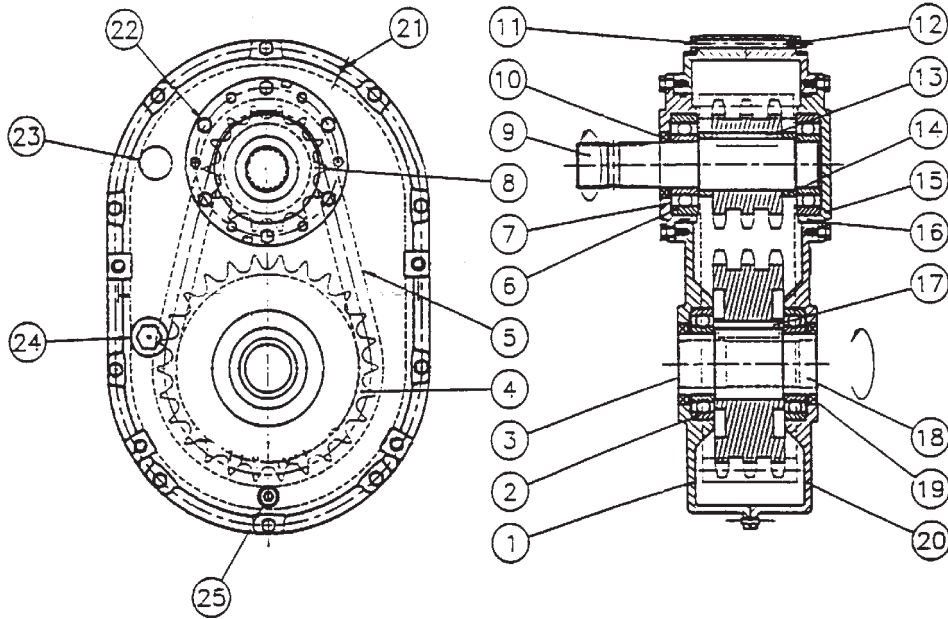


REDUCTION GEAR BOX # 9575, 8348



REF.	PART #	DESCRIPTION	QTY	
			9575	8348
1	9546	Casing with plug	1	1
2	6212-RS	Bearing 6212	2	2
3	9547	Seal cover (47 x 7)	1	1
4	9548	Sprocket 80-3A26	1	1
5	9549	Chain 80-3 x 36" lg	1	1
6	6309-RS	Bearing 6309	2	2
7	9550	Input cover with hole	1	1
8	9551	Sprocket 80-3A14	1	1
9	9552	Input shaft 1 3/4"-20 splines	1	-
9	8349	Input shaft 1 3/8"-6 splines	-	1
10	9553	Oil seal (45x65x8) TC double lips	1	1
11	Std.	Bolt 5/16" NC x 4 1/2" lg	10	10
12	Std.	Nut 5/16" NC	10	10
13	9554	Square key 1/2" x 2 1/2"	1	1
14	9555	Spacer (2 - 2 3/8 - 0.568)	2	2
15	9556	Input cover w/o hole	1	1
16	9557	O-ring AS-248	2	2
17	9558	Square key 5/8" x 2 1/2"	1	1
18	9559	Output shaft 1 3/4"-20 splines	1	-
18	8350	Output shaft 1 3/8"-6 splines	-	1
19	9560	Oil seal (60 x80x10) TC double lips	2	2
20	9561	Casing w/o plug	1	1
21	9562	Slotted spring pin 3/16" x 3/4"	2	2
22	Std.	Bolt 3/16" NC x 3/4" lg	12	12
23	9563	Air vent 1/2" NPT	1	1
24	9564	Sight glass 3/4" NPT	1	1
25	9565	Drain plug 1/2" NPT	1	1

10