

MACERATOR 6610™



Operator's Manual 2004



Contents

Warranty Registration Form	2
Introduction	4
Safety	5-6
Transport Safety	5
Operating Safety.....	6
Hydraulic Safety.....	6
Air Safety.....	6
Specifications	7
Assembly	8
Assembly (attachments)	9-11
Swath Inverter	9
Spreader	10
Windrower.....	11
Field Setup	12-13
PTO Speed	12
Pickup Height and Adjustment.....	12
Steel Roll Adjustment.....	12
Preparation (Air System).....	13
Rubber Roll Pressure Adjustment	13
Steel Roll Pressure Adjustment.....	13
Maintenance	14-16
Checklist	14
Roll Drive Belt Replacement.....	15
Bearing Replacement	16
Replacing or Repacking Wheel Bearings.....	16
Pickup Teeth, Wrappers, and Wear Strips	16
Lubrication	17
Trouble Shooting	18
Warranty	Back Cover

Replacement Parts

To obtain prompt, efficient service, always remember to give the dealer the following information.

1. Correct part description.
2. Model number of the machine.
3. Serial number of the machine.

The serial number is important in identifying your machine. It contains information for ordering replacement parts and options which may vary depending on the serial number identification.

Measurements are given in U.S. units followed by the equivalent in metric units. Hardware sizes are given in inches for the U.S. hardware and millimeters for the metric hardware.

AgLand	
Box 479 Arborg MB, R0C 0A0	
Model #:	Macerator 6610
Serial #:	
Made in Canada	

Serial # on plate inside right side cover.

AgLand Macerator 6610™

LIMITED WARRANTY REGISTRATION FORM

The Macerator 6610 is warranted by AgLand to the original purchaser, to be free of defects in workmanship and material for a period of one (1) year from date of purchase for farm use (three (3) months from date of purchase for commercial use). AgLand does not warrant any damage caused by negligence, modifications, and/or lack of maintenance. (See Maintenance Schedule in Operator's Manual.)

AgLand will not be liable for the cost of shipping or any other cost incurred for replacement or repair of any parts. AgLand is not liable for any accidents which may occur from or during the operation of the Macerator 6610, or damage incurred due to Macerator failure. The purchaser assumes all responsibility for the care, maintenance, and safety.

Failure to return completed registration to AgLand within 30 days of delivery will VOID warranty.

This form must be filled out by the dealer and signed.

Mail to:

AgLand Industries Inc.
 Box 479 Arborg, MB
 ROC OAO

Customer Name: _____	Dealer: _____
Address: _____	Address: _____
City: _____	City: _____
Prov/State: _____ Postal/Zip: _____	Prov/State: _____ Postal/Zip: _____
Phone No: _____	Date Purchased: _____
Model No: _____	Check One: <input type="checkbox"/> Commercial Use <input type="checkbox"/> Farm Use
Serial No: _____	

DEALER CHECKLIST

- | | |
|---|--|
| <input type="checkbox"/> Belt tension | <input type="checkbox"/> Tire air pressure (20 PSI) |
| <input type="checkbox"/> Pickup including finger height | <input type="checkbox"/> All grease fittings greased |
| <input type="checkbox"/> Air lines, gauges, and airbag | <input type="checkbox"/> All safety procedures have been reviewed with customer |
| <input type="checkbox"/> Hydraulic lines and fittings | <input type="checkbox"/> Rubber and steel rolls, including spacing |
| <input type="checkbox"/> Drive shafts and gear box | <input type="checkbox"/> All warning decals are in place, clean, and legible |
| <input type="checkbox"/> All reflectors in place | <input type="checkbox"/> Customer has been instructed to review safety and operating procedures with all operators annually. |
| <input type="checkbox"/> Wheel bolts tight | |

I have thoroughly inspected the machine and made adjustments and corrections as needed.

_____	_____	_____
<i>Inspected By</i>	<i>Signature</i>	<i>Date</i>

I have instructed the buyer on the above described equipment and included a review of the Operator's Manual, assembly, maintenance, safety, and applicable warranty policy.

_____	_____
<i>Dealer's Signature</i>	<i>Date</i>

The above Equipment and Operator's Manual have been received by me and I have been instructed as to the care, adjustments, safe operation, and applicable warranty policy.

_____	_____
<i>Purchaser's Signature</i>	<i>Date</i>



Congratulations, you have just purchased the new and improved AgLand Macerator 6610. To get the maximum benefit from your Macerator we suggest that you read the Operator's Manual carefully.

The Macerator is designed to condition the hay for a super fast dry down while maintaining the maximum amount of nutrients and color. The Macerator utilizes special steel rolls, each running at a different speed allowing for a measured nicking of the stem for greater air exposure. The low profile, heavy duty pickup allows for rapid operation with minimal leaf loss.

The roll system of the Macerator is designed to allow for the right amount of maceration without cutting up the hay.

These operating and maintenance instructions have been compiled from extensive field experience and engineering data. Some information is general in nature due to unknown and varying conditions. However, through experience and these instructions, you will be able to develop operating procedures suitable to your particular situation.

Please study this manual from the beginning to end BEFORE operating your new Macerator 6610. Pay special attention to the Safety section in this manual and the safety cautions on your equipment. Should anyone else operate this equipment be sure that they understand ALL safety, operating, and maintenance information presented in this manual.

The terms 'right' and 'left', as used throughout this manual, are determined by facing the direction the machine will travel when in use.

The photographs, illustrations, and data used in this manual were current at the time of printing, but due to possible inline production changes, your machine can vary slightly in detail. The Manufacturer reserves the right to redesign and change the machine as necessary without notification.

WARNING

Some pictures in this manual show the machine with shields removed to allow for a better view of the subject. The machine must never be operated with any of the shields removed.

AgLand Industries Inc. is a Canadian owned and operated company located in central Canada, in the province of Manitoba. AgLand was founded in 2001 by a group of innovative entrepreneurs that transformed their ideas and expertise into a leading manufacturing company of agricultural crop equipment.

Box 479 Arborg MB, Canada ROC OAO

1.888.933.4440

Tel: 204.364.2211

Fax: 204.364.2472

Email: sales@aglandindustries.com

Web: www.aglandindustries.com



Safety

Read this manual completely and understand all operating instructions and precautions BEFORE attempting to operate or service your machine.

The safety information given in this manual does not replace safety codes, insurance needs, or state/province and local laws. Make sure your machine has the correct equipment needed as specified by the local laws and regulations.

Understand that your safety and the safety of other persons is measured by how you service and operate this machine.

IMPORTANT! Review and understand the positions and functions of all machine controls before operating this machine.

WARNING! Do NOT attempt any adjustments, maintenance, trouble shooting, or repairs while machine components are moving or activated with pressure.

- Lower machine to ground or onto appropriate blocks.
- Stop tractor engine and remove ignition key.
- Set tractor parking brake prior to leaving operator station.

Safety Alert Symbol



The Safety Alert symbol identifies important safety messages in the manual and on the machine. When you see this symbol, be alert to the possibility of personal injury or death. Follow all the instructions in the safety message given. This symbol means attention, be alert, and your safety is involved.

Three Reasons To Follow Safety Instructions:

1. Accidents disable and kill.
2. Accidents cost.
3. Accidents can be avoided.

Slow Moving Vehicle Emblem



The Slow Moving Vehicle (SMV) emblem must be placed on the rear of the machine and be visible to traffic approaching the machine from the rear while traveling on public roads. Keep the SMV emblem clean and replace when damaged or emblem materials have faded. The SMV should only be displayed on the machine at road speeds less than 40 km/hr (25 MPH).

Signal Words

DANGER

DANGER: Indicates an imminently hazardous situation that, if not avoided, WILL result in death or serious injury if proper precautions are not taken.

WARNING

WARNING: Indicates a potentially hazardous situation that, if not avoided, COULD result in death or serious injury if proper precautions are not taken.

CAUTION

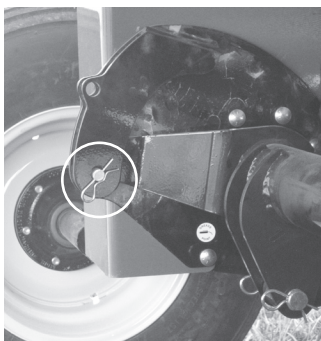
CAUTION: Indicates a potentially hazardous situation that, if not avoided, MAY result in minor or moderate injury if proper practices are not taken, or serves as a reminder to follow appropriate safety practices.

Transport Safety

- The operator is responsible for complying with all local regulations regarding transporting agricultural equipment on public roads.
- Ensure all lights and reflectors, as required by local law, are in place, intact, and clean before transporting machine on public roads.
- Connect electrical socket on machine wiring harness to tractor receptacle.
- Ensure SMV emblem is clean and properly displayed, where required by law, before transporting machine on public roads.
- Do NOT allow riders on machine at any time including transport of machine on public roads.
- Maximum transport speed is 32 km/hr (20 MPH). Reduce speed on rough roads and surfaces.
- Use proper retainer on drawbar hitch pin and attach safety tow chain to tractor prior to transporting machine on public roads.
- Ensure that transport lock pin is installed and secured in the hole provided for transport.
- Tractor light switches should be set for road transport. Refer to tractor operator's manual for information.



Hitch and safety chain.



Lock travel pin in place.

Operating Safety

- REVIEW ALL SAFETY INSTRUCTIONS with all operators before allowing them to operate the equipment. Review instructions at least once each year.
- All shields and guards must be intact and in position and securely fastened before operating the Macerator.
- Only use a tractor equipped with ROPS cab and seat belt. Be careful when operating close to a road or building, the machine can throw stones and other objects during operation.
- Emphasize the importance of safety when working around and operating the machine.
- Do NOT allow riders on any part of the equipment at any time.
- Always keep hands, feet, and clothing away from moving parts.
- Always lower the Macerator to the ground when parking.
- Use transport lock pin and retainer to secure the lift linkage of the Macerator before transporting equipment.
- Use safety tow chain at all times.
- NEVER attempt to unplug the machine when the tractor is running and hydraulic system is pressurized.
- Keep hands, feet, and clothing away from the pickup area when in operation to avoid entanglement hazards. Do not open or remove shields or guards while machine is running.
- Relieve all pressure from hydraulic lines before disconnecting them. Before applying pressure to the system, make sure all connections are tight and that hoses and lines have not been damaged.

Hydraulic Safety

- Ensure that all components in the hydraulic system are kept in good condition.
- Replace any worn, cut, abraded, flattened, or crimped hoses and/or metal lines.
- Do not attempt any poorly executed repairs to hydraulic lines, fittings, or hoses by using tape, clamps, or cements. The hydraulic system operates under extremely high pressure: 11,033 to 15,859 kPa (1600 to 2300 PSI). Such repair will fail suddenly and create unsafe conditions.
- Wear proper hand and face protection (e.g. face shield) when searching for a high pressure hydraulic leak. Use a piece of wood or cardboard as a backdrop instead of hands. A high pressure concentrated stream of hydraulic fluid can pierce the skin. If such happens, seek immediate medical attention as infection and toxic reaction could develop.
- Before applying hydraulic pressure to the system, make sure all connections are tight and that lines, hoses, and couplings are not damaged.

Air Safety

- Make sure all hoses and bellows are kept in good condition and are clean.
- Replace any damaged lines or bellows.
- Do not exceed 827 kPa (120 PSI) air pressure in tank and 689 kPa (100 PSI) in air bags.

**Think Safety,
Work Safely!**

Manual Storage Container

Keep the Operator's Manual in the storage container provided on the Macerator. The Operator's Manual must be available for use by all operators.



Specifications

AgLand Macerator Model 6610

Dimensions

Overall Width	10'6" (315 cm)
Length	11'4" (345 cm)
Height	operation 3'6" (105 cm) transport 5'6" (165 cm)
Weight	3,800 lbs. (1,633 kg)

Tires (4)

Tire Size	11 L - 15 SL
Pressure	138 kPa (20 PSI)
Wheel Hub	6 bolt
Wheel Torque	85 ft. lbs. (115.2 NM)

Pickup

Width	5'6" (165 cm)
Clearance*	14" to 16" (35.5 cm to 40.5 cm)
Tooth Clearance**	10" to 12" (25 cm to 30 cm)
Pickup Tooth Spacing	2.75" (7 cm)

*Under pickup when raised.

**When raised.

Rolls

Width of rubber feed rolls	5'6" (165 cm)
RPM of rubber feed rolls	645 RPM
Min. space between rubber rolls	1/16" (1.6 mm)
Width of steel rolls	5'6" (165 cm)
RPM of top steel roll	1372 RPM
RPM of bottom steel roll	1514 RPM
Min. space between steel rolls	1/32" (.8 mm)

Tractor Requirements

Suggested min. tractor size*	80 HP (60 KW)
Suggested min. under frame clearance**	15" (38 cm)

*Tractor should be of sufficient size to maintain operator control in all situations.

**To allow swath to flow freely under tractor.

Air System

Size of air pressure tank	12 Gallon (46 L)
Max. air pressure in tank	120 PSI

Hydraulic outlets required **1**

Operating Speed

Approximate range* 8 to 16 km/hr (5 to 10 MPH)

*Depending on crop conditions.

Swath Size

Width up to 5' (150 cm)

Cut Width

Recommended Width 14' to 16' (480 cm)

Capacity

Up to 50 ton/hr

Some weights and measurements are approximate.

All specifications, statements, and information shown in this manual are believed to be accurate at the time of printing. Specifications are subject to change without notice.

Attaching Hitch

Sometimes the hitch will be shipped detached from the unit to allow for a more compact shipping package.

1. Bolt hitch to main frame, Figure 1, using fourteen 5/8" x 1 1/2" carriage bolts. Be sure bolts are securely tightened all around.
2. Remove bearing on front of hitch (C), slide drive shaft (B) onto override clutch (A) through front bearing hole and reinstall bearing and tighten shaft bolts on override clutch (A).
3. Install the long hydraulic hose (G) securely with the clamps (F) provided, as shown in Figure 2.

- A. Override Clutch
- B. Drive Shaft
- C. Front Hitch Bearing
- D. A Frame Cover (Back)
- E. A Frame Cover (Front)
- F. Hose Clamp
- G. Long Hydraulic Hose

Figure 1

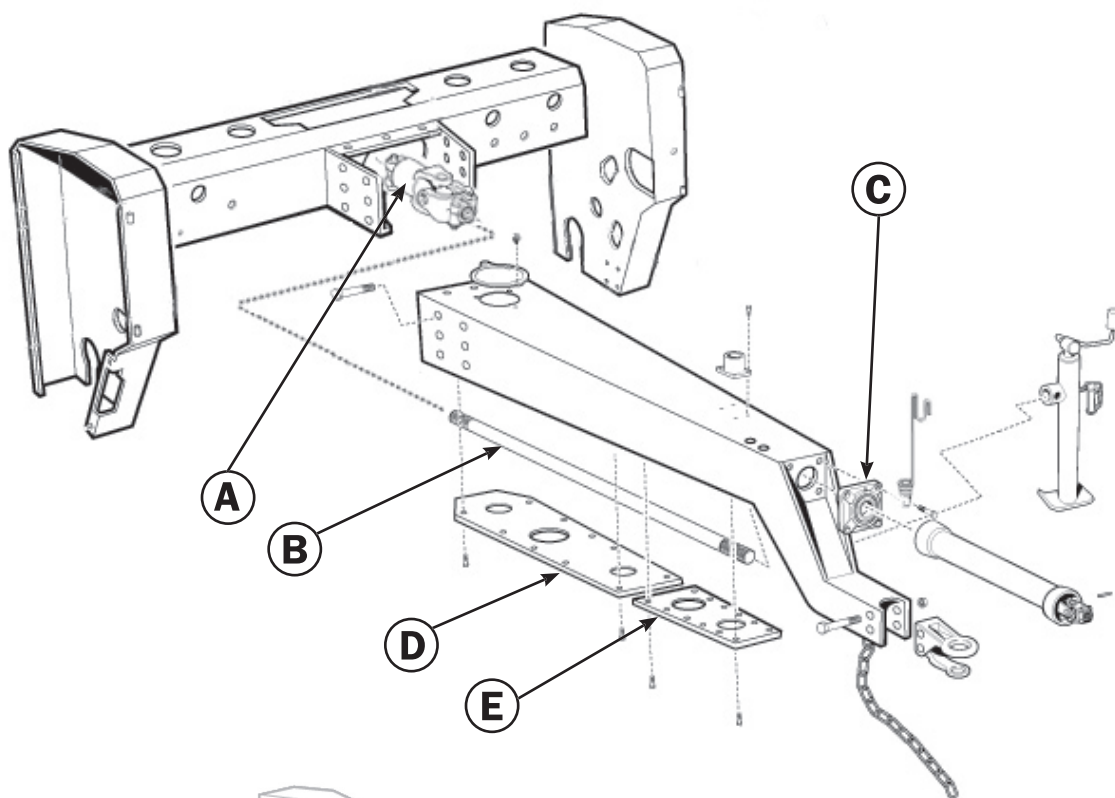
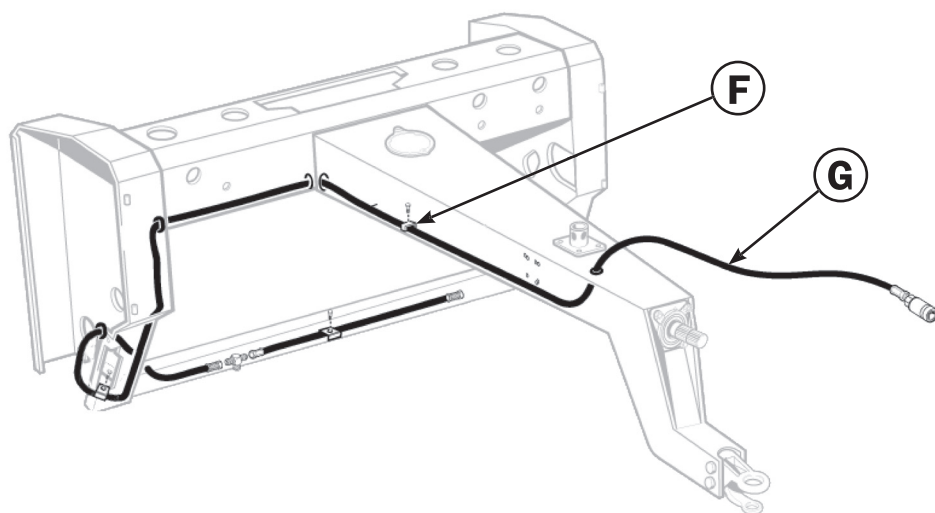


Figure 2



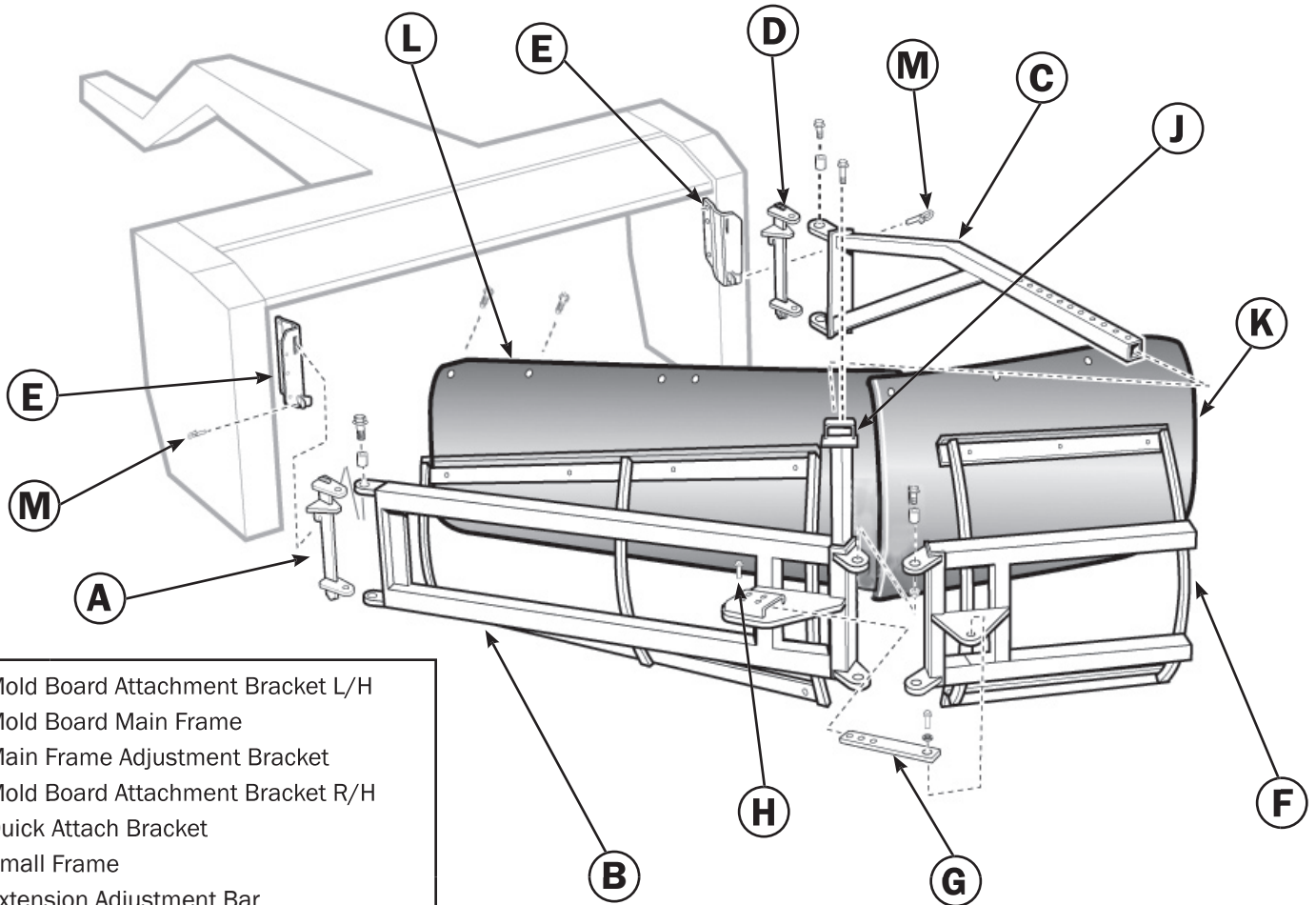
Assembly (Attachments)

Swath Inverter (Mold Board)

1. Attach mold board attachment bracket L/H (A) to the mold board main frame (B) and attach main frame to quick attach bracket (E - already installed) and insert lynch pin.
2. Attach mold board attachment bracket R/H (D) to the adjustment bar (C) and attach bar to bracket (E - already installed) and insert lynch pin (M).
3. Attach small frame (F) to the main frame (B), using $1/2" \times 1 1/2"$ hex bolts with bushing, washer, lock washer, and hex nut.
4. Attach extension adjustment bar (G) to frame (F) using $1/2" \times 1 1/2"$ std bolt, bushing, washer, lock washer and std nut and insert adjuster pin (H).
5. Slide main frame adjustment bracket (C) through the adjustment bar (J) and insert $1/2" \times 3"$ pin.

Mold Board Sheet Installation

6. Install short mold board (K) to outside portion of main frame (F) using $5/16" \times 3/4"$ carriage bolts and hex nuts.
7. Install longer mold board sheet (L) on to the main frame (B) using $5/16" \times 3/4"$ carriage bolts, overlapping the short mold board sheet.
8. All bolts holding the mold board sheets can now be fully tightened.
9. Adjust angle of mold board by moving adjustment bracket (C) in or out of adjustment bar (J) to preferred mold board angle and insert $1/2" \times 3"$ pin. The tighter angle will result in less inversion. The wider angle will give you a greater inversion.



- A. Mold Board Attachment Bracket L/H
- B. Mold Board Main Frame
- C. Main Frame Adjustment Bracket
- D. Mold Board Attachment Bracket R/H
- E. Quick Attach Bracket
- F. Small Frame
- G. Extension Adjustment Bar
- H. Adjustment Pin
- J. Adjustment Bar
- K. Short Mold Board Sheet
- L. Long Mold Board Sheet
- M. Lynch Pin

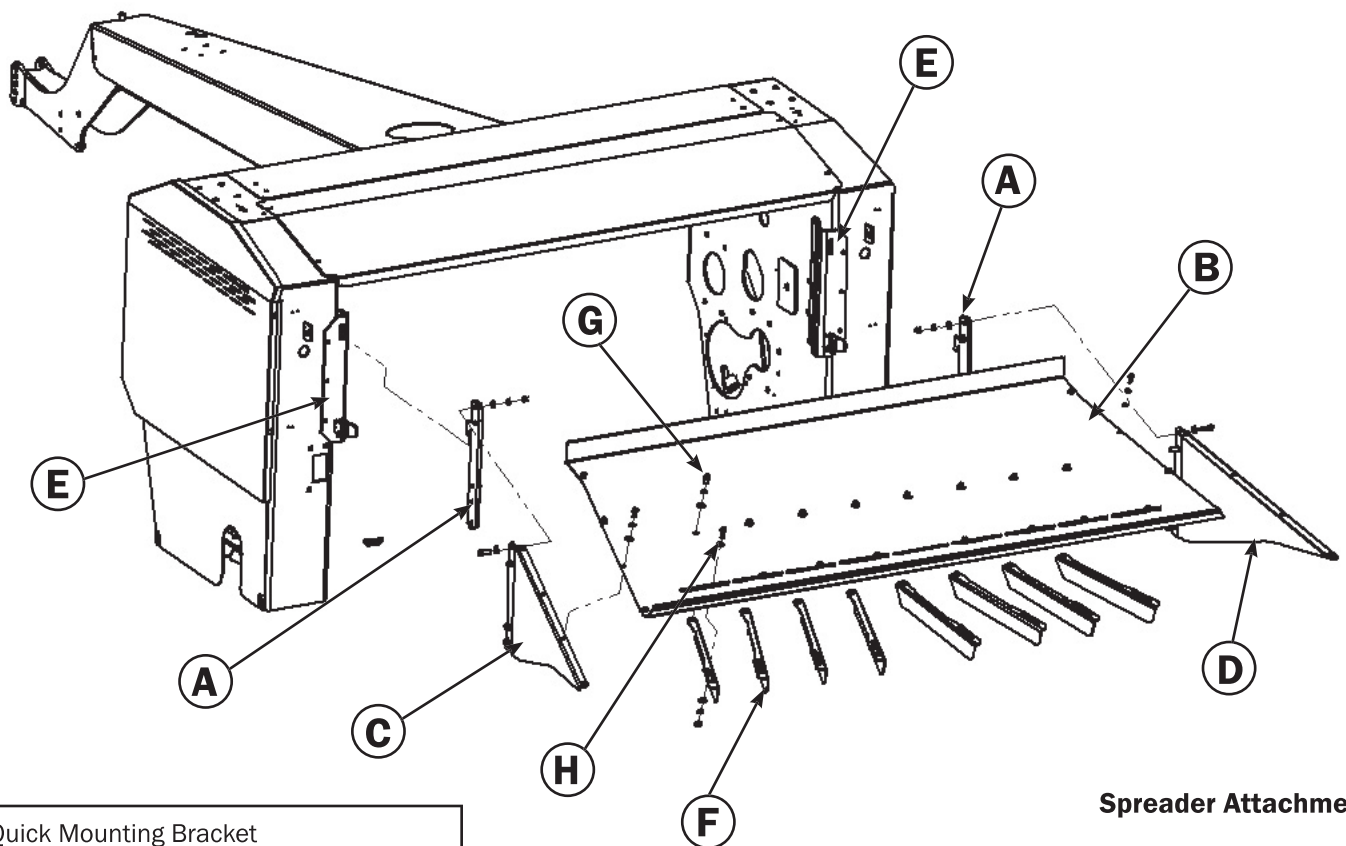
Mold Board Attachment

Spreader Attachment

The spreader attachment allows the Macerator to spread a wider swath and leave a thinner layer on the field for greater sun and wind exposure.

The spreader attachment quick attaches onto the rear of the main frame.

1. Attach bracket (A) to the side panels (C and D) using $3/8"$ x $1\ 1/4"$ bolts with washer, lock washer, and nut.
2. Mount side panels (C and D) to top plate (B) with $5/16"$ x $3/4"$ bolts, washer, and lock washer.
3. Mount deflector fins (F) to top plate (B) using $3/8"$ x $3/4"$ bolts (G) and $3/8"$ x $3/4"$ bolts, washer, lock washer, and nut (H).
4. Hook spreader attachment to the quick mounting brackets (E - on main frame) and insert lynch pin.



Spreader Attachment

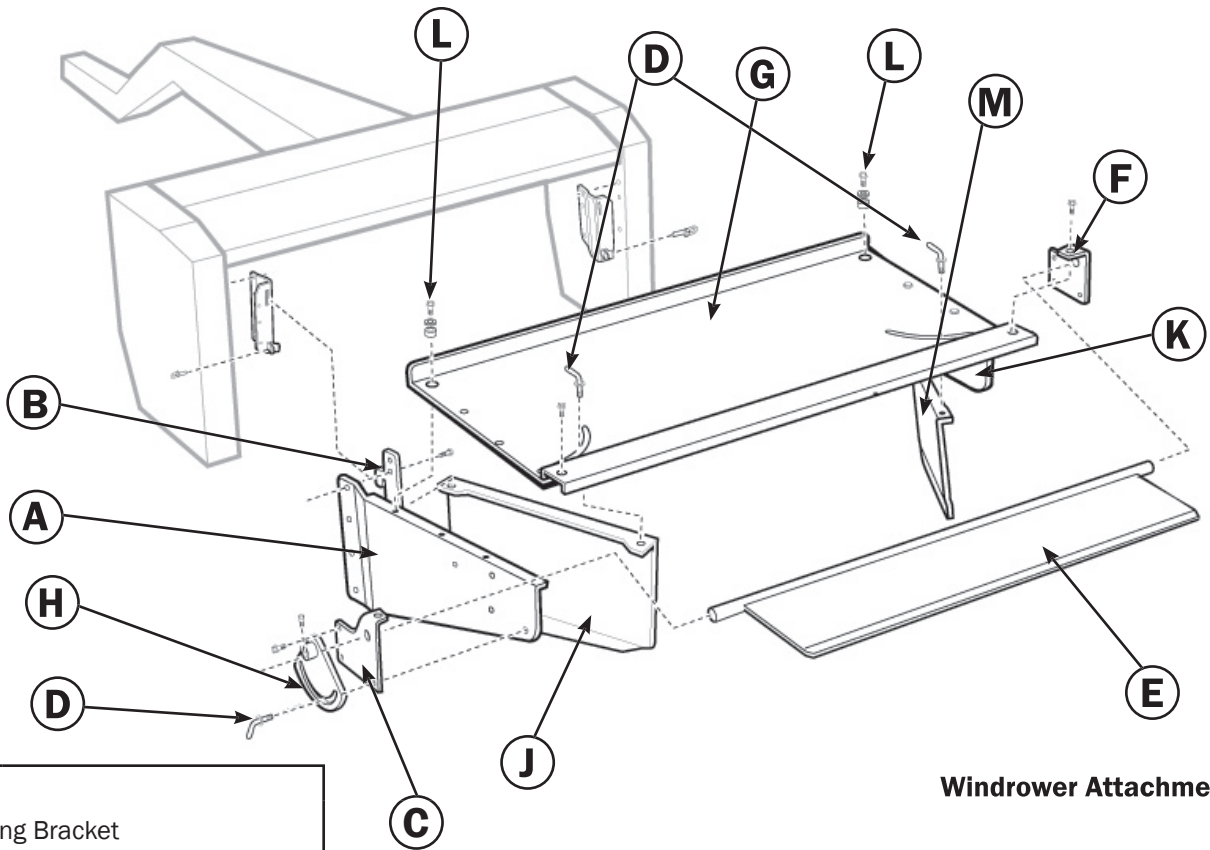
- | |
|---|
| A. Quick Mounting Bracket |
| B. Top Plate |
| C. Side Panel |
| D. Side Panel |
| E. Quick Mounting Bracket (on main frame) |
| F. Deflector Fin |
| G. Bolt |
| H. Bolt |

Assembly (Attachments)

Windrower Attachment

The windrower attachment allows you to direct the cut hay down to keep a tighter windrow, or out for a wider swath width.

1. Insert 3/8" x 1 1/4" bolts through side panel (A) and attach quick mounting bracket (B).
2. Mount side panels (A and K) to top plate (G) with 5/16" x 3/4" bolts. Do not tighten bolts.
3. Mount side bracket (C) to panel (A) with 3/8" x 3/4" bolts. Only two bolts.
4. Insert windrow baffle (E) into hole of side bracket (C).
5. Mount the other side bracket (F) to side panel (K) with 3/8" x 3/4" bolts.
6. Mount adjustment bracket (H) using 5/16" x 1 1/2" socket head cap screw and wing bolt (D).
7. Install left and right side width adjusters (J and M) using 3/8" x 1" bolt and bushing (L) through top plate (G).
8. Insert wing bolt with washer (D) through slot into width adjusters (J and M).
9. Tighten all bolts evenly.
10. Hook spreader attachment to the quick mounting bracket on main frame and insert lynch pin.



- A. Side Panel
- B. Quick Mounting Bracket
- C. Left Side Bracket
- D. Wing Bolt
- E. Windrow Baffle
- F. Right Side Bracket
- G. Top Plate
- H. Adjustment Bracket
- J. Width Adjuster
- K. Side Panel
- L. Bushing
- M. Width Adjuster

Windrower Attachment

Note:

Use supplied washers and nuts with described bolts above.

Use with a tractor having a minimum of 80 HP (60 KW). Tractor should have sufficient ground clearance for swath to pass cleanly under it.

PTO Speed

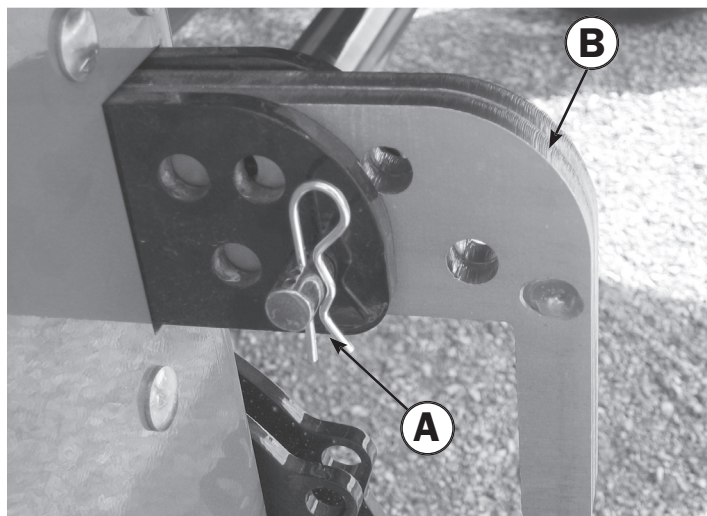
Unless otherwise specified, units are shipped with 1000 PTO speed. Units with 540 RPM PTO are also available, contact dealer.

The PTO should be run at approximately 1000 RPM. The front rubber rolls run at 645 RPM and the bottom steel roll runs at 1514 RPM at a tractor PTO speed of 1000. The upper steel roll runs at 1372 RPM at 1000 tractor PTO speed.

Pickup Height & Adjustment

The Macerator 6610 pickup should be adjusted so that it will cleanly pick up all material off of the field without gouging the soil. You may have to reset the height a few times to arrive at the best working height.

1. If your pickup is too low to the ground use your tractor hydraulic cylinder control to raise the pickup.
2. Remove pin (A) and slide adjuster bar (B) to desired height. Pushing bar in raises machine and pulling the bar out lowers the machine.
3. Reinsert pin and lock in place.



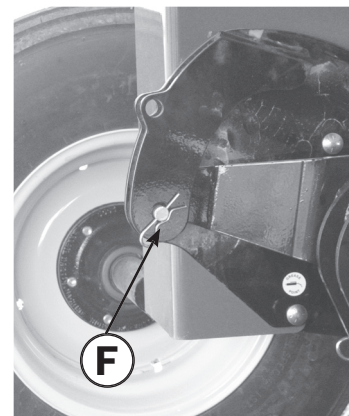
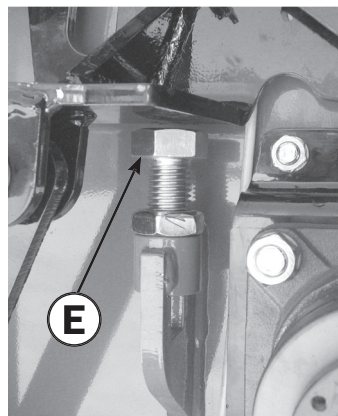
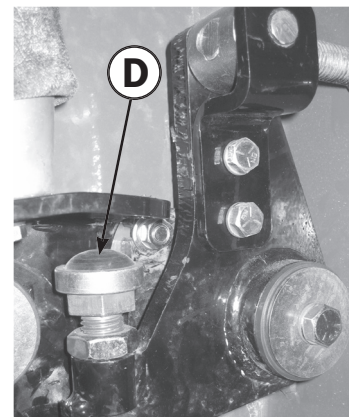
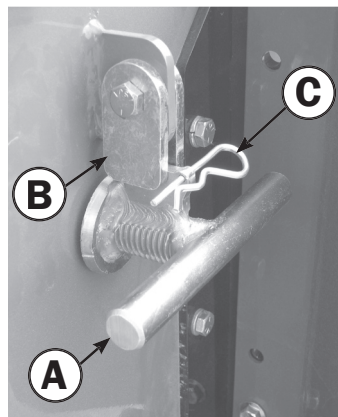
Steel Roll Adjustment

For best results adjust the Macerator 6610 for your specific field conditions. The smaller the gap between the steel serrated rolls the more aggressive will be the maceration of the hay. Both the space between the rolls and the air pressure need to be adjusted for maximum efficiency.

1. Raise the Macerator using the hydraulics.
2. Turn crank (A) clockwise to widen the gap or counter-clockwise to narrow the gap. 1 turn = .04" (1 mm). For a better fine tune, adjust bolt (D).
3. Be sure to set the gap exactly the same on both sides, use gauge.



4. Put crank lock (B) in place and secure with pin (C).
5. To assure that the rolls do not touch, the safety stop is set by the factory at 1/32" or .8 mm.
6. If safety stop (E) needs adjusting put travel pin (F) in place while unit is raised.
7. Adjust the safety stop bolt (E) as needed. Be sure the rolls don't touch during operation.
8. Repeat steps 1-7 to fine tune if necessary.



Checklist

! CAUTION

Use Good Safety Practices When Working On This Machine

Before doing any maintenance or service on the machine you must:

- Park machine on a solid level surface.
- Lower the machine fully to the ground or onto blocks.
- Disengage all power.
- Put the tractor transmission in PARK or apply the tractor parking brake.
- Stop the tractor engine and remove key from the ignition.
- Look and listen. Make sure all moving parts have stopped.

First Time Use

- Tighten hub bolts A-E* after the first 1 hour of operation and repeat procedure after 10 hours and 50 hours.

***Important**

Hubs A - tighten to 60 ft. lbs.
 Hubs B - tighten to 30 ft. lbs.
 Hubs C - tighten to 9 ft. lbs.
 Hubs D - tighten to 6 ft. lbs.
 Hub E - tighten to 15 ft. lbs.

Daily

- Check and tighten all hub bolts.
- Remove all dirt and crop deposits from machine.

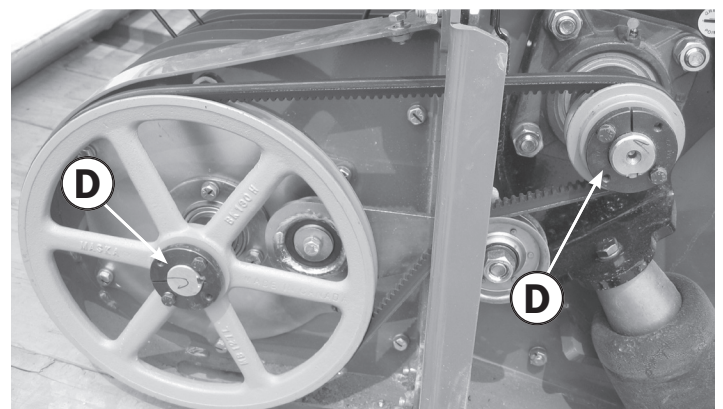
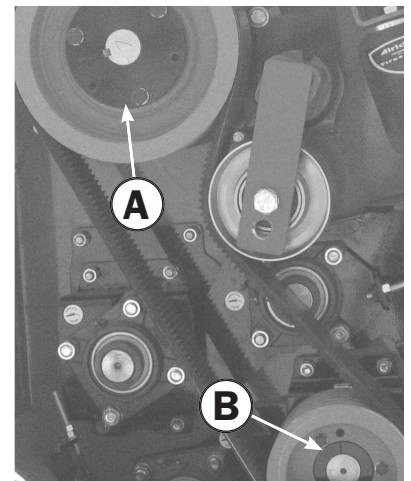
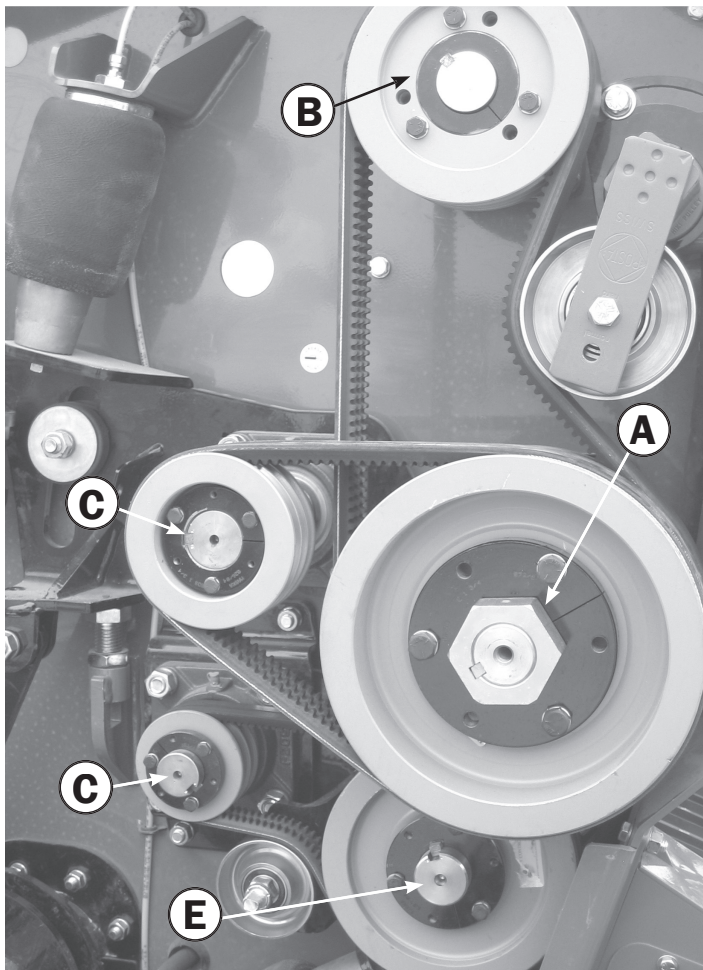
After The First 25 Hours Of Use

- Check bearing and set screw tightness.

At The Beginning Of Each Season

- Review all safety instructions.
- Carefully inspect all components for excessive wear or hazardous conditions.
- Lubricate the machine at all lubrication points.*
- Check tires for correct inflation pressure.
- Tighten bolts.

**See lubrication schedule and procedures on page 17.*



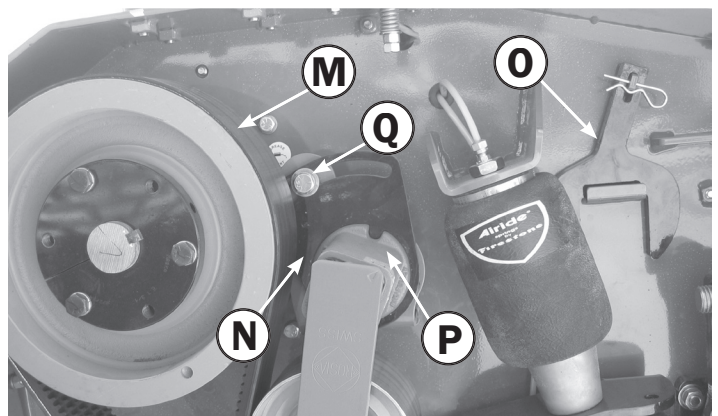
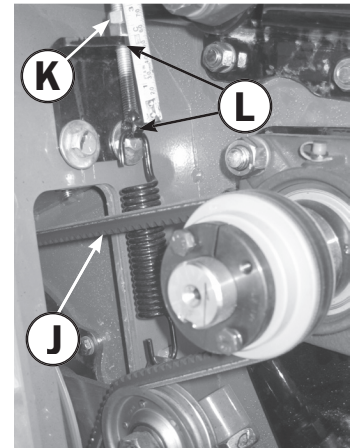
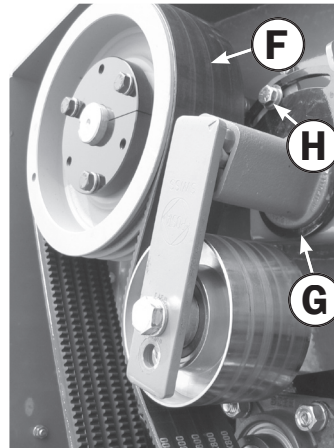
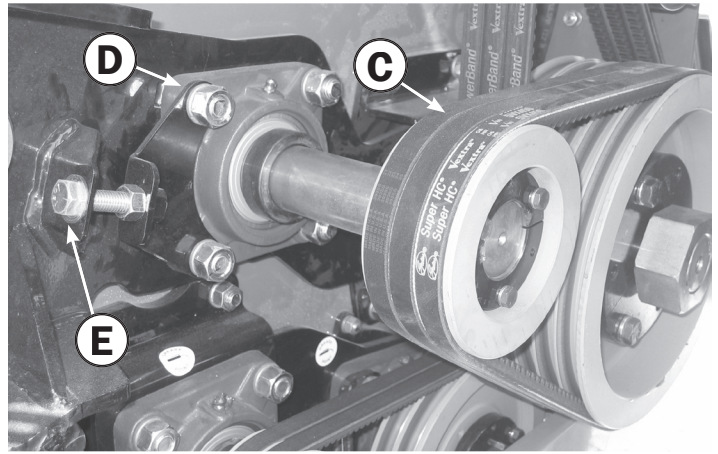
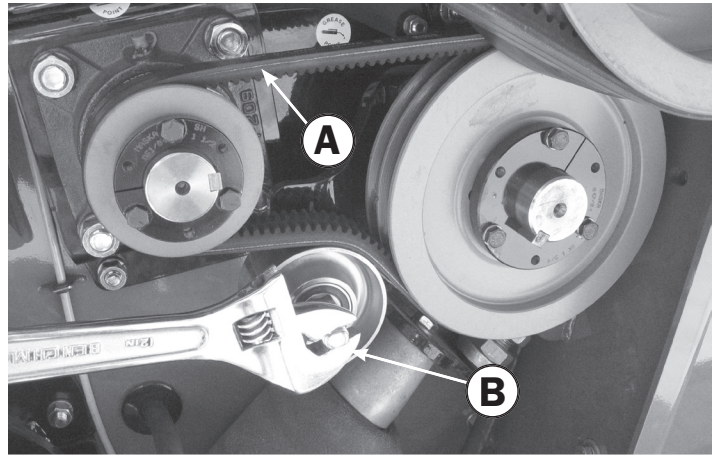
Maintenance

Roll Drive Belt Replacement

Replace worn or damaged belts as follows:

1. Raise Macerator and secure travel safety pin, see page 6.
2. To remove belts (A) loosen and turn flattened bolt (B) counter-clockwise.
3. To remove belts (C) loosen 4 bolts (D) then loosen bolt (E) and slide roll forward.*
4. To remove belt (F) loosen bolt (G) behind tightener, then loosen bolt (H) and slide tightener forward.
5. To remove belt (M) loosen bolt (N) on the other side of the panel behind tightener. Take tightening wrench (O) (use a pipe for leverage) and hold spring loaded tightener (P) firmly in place while loosening bolt (Q), then release tension slowly with wrench.
6. Replace all belts and tighten bolts (reverse sequence of steps 2-5).
7. To remove belt (J) loosen spring tension by turning off nut (K) counter-clockwise. To tighten the belt, tighten nuts (K) until you measure approximately 2 inches (L) or proper tension on the belt.
8. Reinstall all covers.

* To maintain proper roll alignment be sure to adjust the opposite tightener on the other side of the machine.



Bearing Replacement

Sealed ball bearings are held in position on the shaft by a locking collar, Figure 1, which is rotated to lock the assembly on the shaft and secured by a set screw. To remove bearing:

1. Loosen set screw.
2. Use a drift punch inserted in the drift pin hole to rotate and loosen the locking collar (A). Rotate the locking collar counter-shaft rotation
3. Remove the locking collar.
4. Support the shaft, for easier assembly later.
5. Remove the bolts for the bearing flanges.
6. Slide the bearing and the flanges from the shaft. Note: Cleaning paint and corrosion from the shaft will make removal easier.
7. Put on the new bearing and flanges.
8. Replace locking collar on the shaft. Rotate the locking collar in the direction of the shaft rotation until lightly engaged. Tighten the collar by hitting it with a drift pin punch inserted in the drift pin hole rotating it further until fully tightened
9. Tighten set screw.

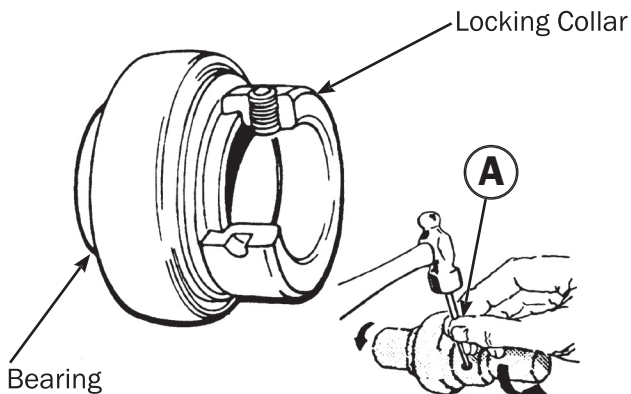


Figure 1

Replacing or Repacking Wheel Bearings

1. Remove wheel hubs and disassemble.
2. Clean bearings, seals, caps, washers, nuts, and hubs with kerosene or other solvent.
3. Replace bearings or seals if worn or damaged.
4. Pack bearing cones and seals with No. 2 multipurpose lithium grease or equivalent.
5. Reassemble hub and bearings, Figure 2.
6. Press cups against the shoulder in the hub.

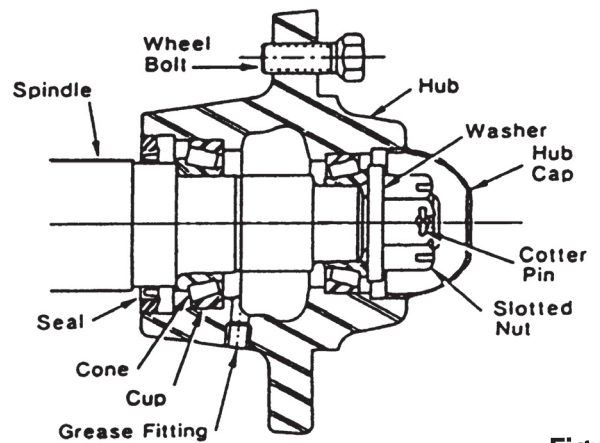


Figure 2

7. Press seal flush into hub after bearing.
8. Place hub on shaft taking care not to damage the seal.
9. Tighten the wheel bearing nut. Do not overtighten.
10. Secure nut with a cotter pin.
11. Be sure to replace hub cap.

Pickup Teeth, Wrappers, and Wear Strips

Check for bent, broken or loose parts. If it is necessary to replace teeth or related parts, proceed as follows.

1. Ensure that your Macerator is blocked securely. Loosen the bolt holding the wrapper(s) on pickup, Figure 3. Lift the wrapper on top and slide forward to remove.
2. Should the plastic wear strip require removal and replacement, drill out or carefully grind off the 'pop' rivets. Replace strip with new rivets, Figure 5.
3. Install new teeth or wrapper(s).

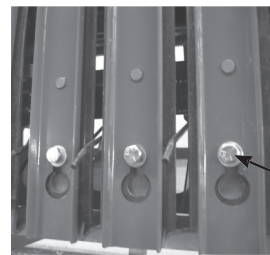


Figure 3



Figure 4

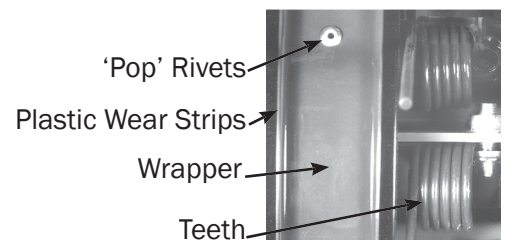


Figure 5

Lubrication

General Information

A NLGI No. 2 multi-purpose high temperature lithium base grease is recommended.

Use a manual grease gun for all greasing. Air powered grease guns may damage the seal on the bearings.

Wipe all grease fittings with a clean cloth before greasing to avoid injecting dirt or grit in the bearings.

At The Beginning Of The Season

Grease all the sealed bearings, front rolls (two places), rear rolls (two places) and drive shaft (one place), Figures 1 and 2.

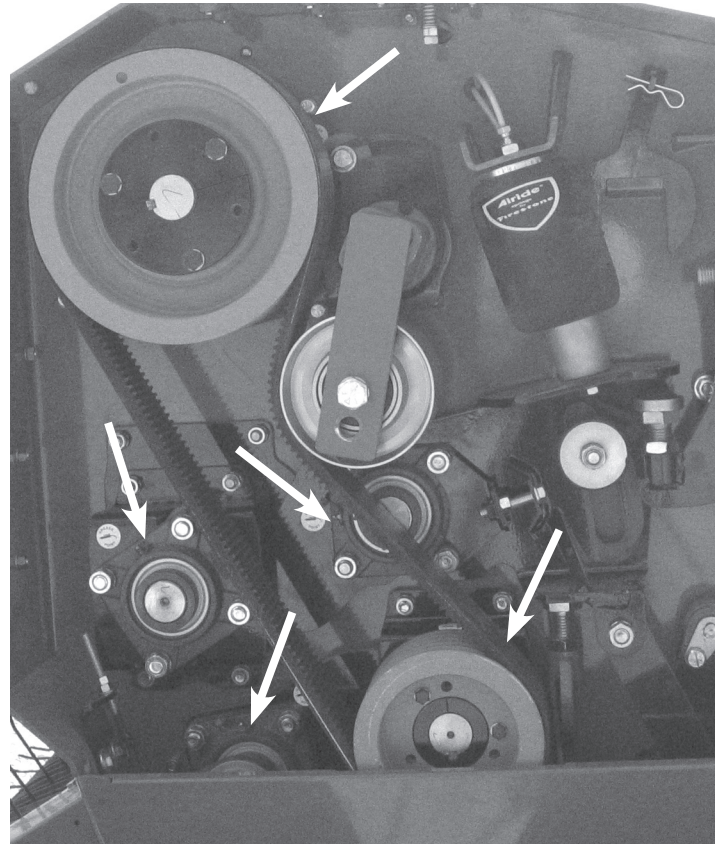


Figure 1

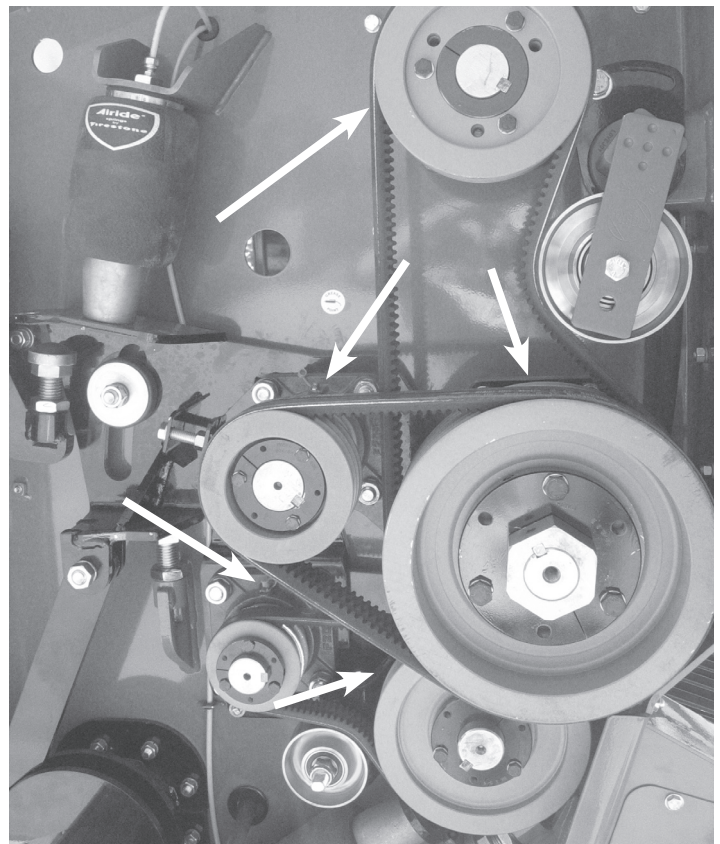


Figure 2

Problem	Possible Cause	Solution
Pickup is skipping swath or not picking cleanly.	<ul style="list-style-type: none"> ▪ Missing or broken pickup teeth. ▪ Pickup too high. ▪ Driving too fast for pickup speed. ▪ Not following the same direction as swath was cut. 	<ul style="list-style-type: none"> ▪ Replace missing teeth. ▪ Adjust pickup height. ▪ Use lower tractor gear with higher RPM. ▪ Follow same direction as swath cut.
Material wrapping in pickup.	<ul style="list-style-type: none"> ▪ Nylon wear plates are missing or worn. ▪ Pickup and travel speeds are not matched. 	<ul style="list-style-type: none"> ▪ Replace missing or worn nylon plates. ▪ Match pickup and ground speed as close as possible.
Breakage or bending of pickup teeth.	<ul style="list-style-type: none"> ▪ Running pickup too low. ▪ Excessive pickup rotation speed in rough or rocky conditions. 	<ul style="list-style-type: none"> ▪ Adjust pickup height. ▪ Reduce pickup or ground speed.
Excessive noise or heat from gear box.	<ul style="list-style-type: none"> ▪ Insufficient oil in gear box. ▪ Worn or broken parts inside gear box. 	<ul style="list-style-type: none"> ▪ Top up gear oil as needed. ▪ Replace parts as needed.
Air pressure does not hold in air tank and air bags.	<ul style="list-style-type: none"> ▪ Broken air line. ▪ Torn or punctured air bag. ▪ Air regulator not working. 	<ul style="list-style-type: none"> ▪ Repair or replace line as needed. ▪ Replace air bag as needed. ▪ Clean or replace regulator.
Pickup does not rise or lower.	<ul style="list-style-type: none"> ▪ Worn or punctured hydraulic cylinder or hydraulic oil line. ▪ Bushings too tight. 	<ul style="list-style-type: none"> ▪ Replace hydraulic lines and cylinders as needed. ▪ Replace or clean bushings.
Pickup height adjustment does not hold.	<ul style="list-style-type: none"> ▪ Broken or worn parts on adjuster. 	<ul style="list-style-type: none"> ▪ Replace worn parts as needed.
Rubber rolls not feeding properly.	<ul style="list-style-type: none"> ▪ Air pressure too high or low. ▪ Gap between rolls too tight or too wide. 	<ul style="list-style-type: none"> ▪ Adjust air pressure using regulator. ▪ Adjust gap width.
Wax build up on steel rolls.	<ul style="list-style-type: none"> ▪ Temperature and hay conditions cause the wax to come off of the plant and stick to the rolls. 	<ul style="list-style-type: none"> ▪ The wax will come off after the rolls cool down. A thin layer of wax/leaves will build up on the rolls.
Excessive leaf loss.	<ul style="list-style-type: none"> ▪ Too much air pressure on steel rolls. ▪ Hay conditions too dry. ▪ The gap between steel rolls is too narrow or the rolls are going too fast. 	<ul style="list-style-type: none"> ▪ Release air pressure. ▪ Condition hay early in the morning. ▪ Adjust gap between steel rolls.
Hay is not being macerated.	<ul style="list-style-type: none"> ▪ Not enough air pressure on steel rolls. ▪ Gap between rolls is too wide. ▪ Windrow is too thick. ▪ Steel rolls not running fast enough. 	<ul style="list-style-type: none"> ▪ Adjust air pressure as required. ▪ Narrow the gap between steel rolls. ▪ Cut wider or thinner windrows. ▪ Increase tractor RPM.
Swath not being inverted completely.	<ul style="list-style-type: none"> ▪ Mold board is not adjusted properly. 	<ul style="list-style-type: none"> ▪ Adjust mold board angle. The tighter angle will result in less inversion. The wider angle will result in a greater inversion.

LIMITED WARRANTY

Warranty service will be performed by AgLand Dealer authorized to sell the Macerator.

AGLAND WARRANTY

AgLand Industries Inc. manufactures the AgLand Macerator. AgLand Industries Inc. (Manufacturer) warrants each Macerator sold by it to be free of defects in material or workmanship under normal use and service. The sole obligation of the Manufacturer is limited to repairing or replacing, as the Manufacturer may elect, any part or parts that prove, in the Manufacturer's judgement, to be defective in material or workmanship within one year* after delivery to the original Retail Purchaser under normal farm use. The defective part or parts will be replaced or repaired only to the original Retail Purchaser. Warranty repair or replacement will be done at the location of the AgLand dealer who sold the Macerator. Defective parts must be returned to the Manufacturer or Dealer who sold the Macerator at the expense of the Retail Purchaser to be inspected by the Manufacturer. Purchaser must give written notice to the Dealer from whom the Macerator was purchased of any claimed defect and the Dealer will repair or replace the part or parts found to be defective.

**3 months after delivery when purchased by a commercial operator.*

Note: The sole remedy of the Purchaser for claim under this warranty is the repair or replacement of defective parts.

This warranty does not extend to the drive components or tires, which are made by other manufacturers and carry warranties from said manufacturers. There are no representations, warranties, or conditions, express or implied, statutory or otherwise, except those herein contained and no agreement collateral otherwise except those herein contained, and no agreement collateral hereto shall be binding upon either party unless in writing hereon or attached hereto, signed by the Purchaser and accepted by the Manufacturer at its head office.

SERVICE AND WARRANTY INFORMATION

The Manufacturer's liability under this warranty is limited to the repairing or replacing of parts only, and the Manufacturer shall in no event be liable to the Retail Purchaser for consequential damage or loss of profits sustained by it as a result of any defect in material or workmanship on any of the equipment covered by this warranty.

The Macerator is warranted for agricultural use only. This warranty does not cover claims resulting from any use for other than agricultural applications.

Altering, modifying or adding additional equipment which is not approved for installation on the Macerator by the Manufacturer will void this warranty.

All warranties are subject to legislation of the state or province in which the Macerator is sold.

Note: There are no warranties, express or implied, by the Manufacturer or its Dealer regarding the Macerator except the warranty against defects in the material or workmanship expressed herein. No person is authorized to bind the Manufacturer to any other warranty whatsoever.

The Manufacturer reserves the right at any time to make changes in the design, material, parts, or specifications of the Macerator without thereby becoming liable to make similar changes in equipment, machinery or parts previously manufactured.



AgLand Industries Inc.