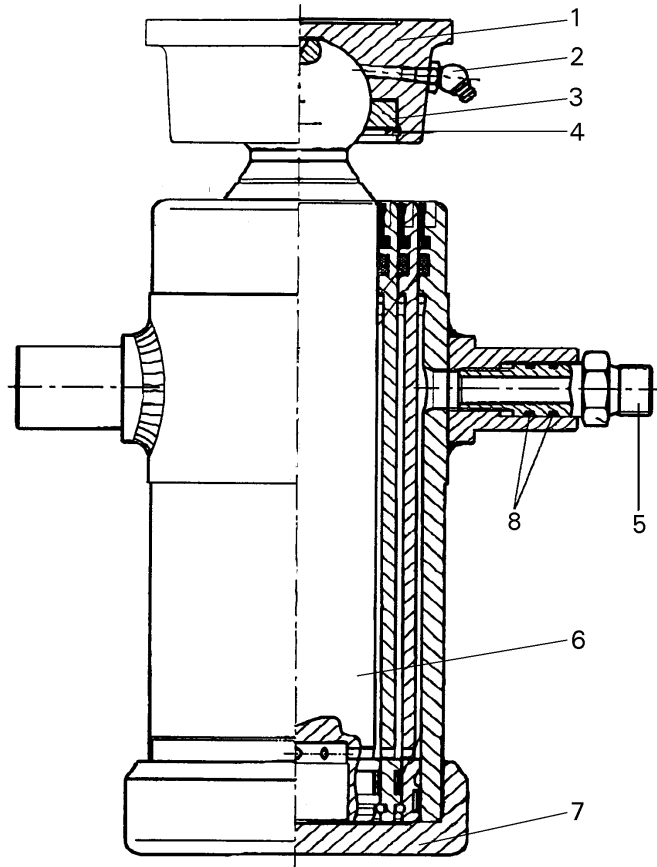


TELESCOPIC CYLINDER # 51506



REF.	PART #	DESCRIPTION	QTY
1	51576	Ball joint seat (welded)	1
2	Std.	Grease fitting 1/4"-28 straight	1
3	51575	Locking segments for ball-joint 2 7/8"	1
4	51574	Retaining ring (interior), 3.175"	1
5	51586	Connector	1
6	51587	Piston with ball	1
7	51588	Threaded cylinder base	1
8	51589	Seal kit for connector	1
NI*	51527	Repair kit for cylinder	1

*NI = Not illustrated
 * Some parts might not be available apart.

8