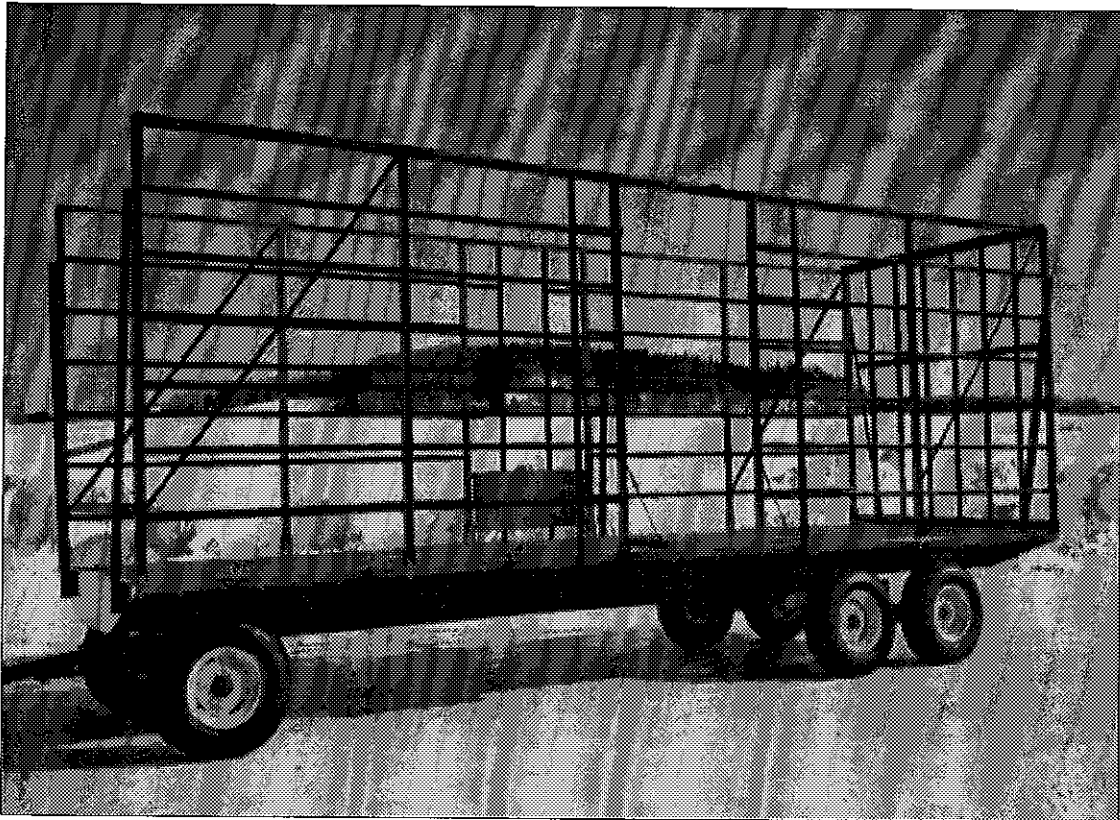


# **PRONOVOST**

## **OWNER'S MANUAL**



### *Hay Rack*

**Models**

**P-120      &      P-124**

Copyright © Les Machineries Pronovost Inc., 1994

All rights reserved.  
Printed in Canada.

---

---

# **TABLE OF CONTENTS**

---

<b>Section</b>	<b>Item</b>	<b>Page</b>
<b>1</b>	<b>Introduction .....</b>	<b>5</b>
<b>2</b>	<b>Safety .....</b>	<b>6</b>
	General Safety .....	6
	Safety in Operation .....	6
	Safety with Maintenance .....	6
	Safety in Storage .....	6
<b>3</b>	<b>Start-up .....</b>	<b>7</b>
<b>4</b>	<b>Storage .....</b>	<b>7</b>
<b>5</b>	<b>Specifications .....</b>	<b>8</b>
<b>6</b>	<b>Torque Chart .....</b>	<b>9</b>
<b>7</b>	<b>Parts List .....</b>	<b>10</b>
	Platform P-120 & P-124 .....	10
	Rail P-120 & P-124 .....	12
	Door detail .....	14
<b>8</b>	<b>Warranty .....</b>	<b>16</b>



---

---

# INTRODUCTION

---

1

## CONGRATULATIONS!

Thank you for choosing PRONOVOST. We are confident this equipment will meet your requirements in terms of quality, performance and reliability.

This manual was prepared to assist you in the safe operation of your new Hay Rack. It contains important information which will help you achieve excellent returns with your PRONOVOST equipment for years to come.

Please read this manual before using your Hay Rack and keep it for future reference.

Before using this equipment, you or any other person who will be using it must familiarize yourself with the safety recommendations, the operating and safety instructions. Please read carefully and be sure to understand and follow all recommendations and procedures.

In this manual, the right and left sides are identified while standing at the rear of the equipment and facing it.

If you require additional information on your Hay Rack, please contact your PRONOVOST Dealer.

**NOW** take a moment to enter the model and the date of purchase of your Hay Rack in the space provided below.

When ordering parts from your Dealer, please refer to this number for a fast and efficient service. Use PRONOVOST parts for replacement.

The model and serial numbers are on the name plate shown on Fig. 1.



Figure 1

MODEL: \_\_\_\_\_ ✍

SERIAL NO.: \_\_\_\_\_ ✍

DATE OF PURCHASE: \_\_\_\_\_ ✍

---

---

# ***SAFETY***

---

## ***GENERAL SAFETY***

### **WHEN YOU SEE THIS SYMBOL**

**2**



**ATTENTION!**

**BE ALERT  
YOUR SAFETY IS INVOLVED**

This symbol "**SAFETY ALERT**" is used in this manual and on the safety decals on the Hay Rack. It warns you of the possibility of danger. Carefully read, understand and follow all safety recommendations before operating the equipment.

- 1) Careful operation is the best assurance against accidents. Carefully read this manual and follow all recommendations before operating this equipment. It is the owner's responsibility to make sure that anyone who will operate the Hay Rack will read this manual before operating the equipment.
- 2) Do not modify the equipment. Any non authorized modification may affect the efficiency and/or safety of the equipment.
- 3) Never operate the equipment with defective parts or if damaged in any way. Have it repaired before using it.
- 4) Make sure all fasteners are in place and properly secured or tightened. Refer to torque chart on page 9.

## ***SAFETY IN OPERATION***

- 1) Be sure there are no obstructions around the equipment and that no one stands near the equipment when in use.
- 2) Do not operate an engine in a confined or non ventilated area.
- 3) Do not perform any adjustments, cleaning, maintenance or repairs with the engine running on the towing vehicle. Preferably remove the key from the ignition.
- 4) Be careful when backing-up, make sure you have good visibility.

## ***SAFETY IN TRANSPORT***

- 1) On public roads, use proper safety lights and check local regulations.
- 2) Be alert while driving on the road. Never carry passengers.
- 3) Always travel at a safe operating speed following regulations and common sense. The road speed should be such as to maintain full control over steering and braking.

## ***SAFETY IN STORAGE***

- 1) Provide adequate supports to prevent any accidental overturning of the Hay Rack.

---

---

## ***START-UP***

---

- 1) Adjust wagon's stakes with 37" between.
- 2) Adjust wagon's length. Rear overhang must not exceed 6' (1.83 m).
- 3) Put hay rack on the wagon.
- 4) Set up side rails, and bolt them at front and rear braces as shown in the following parts illustration.
- 5) Verify for adequate tightness of all fastening devices. Refer to torque chart on page 9.

---

---

## ***STORAGE***

---

- 1) Store the Hay Rack in a cool, dry place.
- 2) Support the Hay Rack with wooden blocks.
- 3) Clean your Hay Rack..
- 4) Thoroughly inspect all parts of the Hay Rack. Replace or repair worn or defective parts.
- 5) Touch-up or repaint if necessary.

**3**

**4**

# SPECIFICATIONS

MODEL		P-120	P-124
Total length	(feet)	19' 9"	24' 2"
	(meters)	6.02	7.37
Total width	(feet)	8'	8'
	(meters)	2.44	2.44
Total height	(feet)	8'	8'
	(meters)	2.44	2.44
Capacity	(tons)	12	12
	(kg)	10,909	10,909
Weight (approx.)	(lbs)	2,550	3,060
	(kg)	1,159	1,391
Platform		13 sections (non-skid steel floor)	16 sections (non-skid steel floor)
Rear overhang		must not exceed 6' (1.83 m)	must not exceed 6' (1.83 m)
Rack		Factory formed, "□" shaped bars & lock bolted, will not cut ropes.	Factory formed, "□" shaped bars & lock bolted, will not cut ropes.
Front step		Optional (non-skid steel)	Optional (non-skid steel)





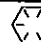
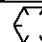
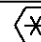
**5**

Design and specifications subject to change without notice.






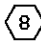
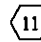
# TORQUE CHART

## TORQUE SPECIFICATION TABLE

Thread UNC and UNF		Grade 2 				Grade 5   				Grade 8*   			
Bolt size		Torque				Torque				Torque			
Inches	mm	Pound feet		Newton meters		Pound feet		Newton meters		Pound feet		Newton meters	
		min.	max.	min.	max.	min.	max.	min.	max.	min.	max.	min.	max.
1/4	6.35	5	6	6.8	8.13	9	11	12.2	14.9	12	15	16.3	30.3
5/16	7.94	10	12	13.6	16.3	17	20.5	23.1	27.8	24	29	32.5	39.3
3/8	9.53	20	23	27.1	31.2	35	42	47.5	57.0	45	54	61.0	73.2
7/16	11.11	30	35	40.7	47.4	54	64	73.2	86.8	70	84	94.9	113.9
1/2	12.70	45	52	61.0	70.5	80	96	108.5	130.2	110	132	149.2	179.0
9/16	14.29	65	75	88.1	101.6	110	132	149.2	179.0	160	192	217.0	260.4
5/8	15.88	95	105	128.7	142.3	150	180	203.4	244.1	220	264	298.3	358.0
3/4	19.05	150	185	203.3	250.7	270	324	366.1	439.3	380	456	515.3	618.3
7/8	22.23	160	200	216.8	271.0	400	480	542.4	650.9	600	720	813.6	976.3
1	25.40	250	300	338.8	406.5	580	696	786.5	943.8	900	1080	1220.4	1464.5
1 1/8	25.58	-	-	-	-	800	880	1084.8	1193.3	1280	1440	1735.7	1952.6
1 1/4	31.75	-	-	-	-	1120	1240	1518.7	1681.4	1820	2000	2467.9	2712.0
1 3/8	34.93	-	-	-	-	1460	1680	1979.8	2278.1	2380	2720	3227.3	3688.3
1 1/2	38.10	-	-	-	-	1940	2200	2630.6	2983.2	3160	3560	4285.0	4827.4

\* Thick nuts must be used with grade 8 bolts.

6

Size of screw	Thread	Pitch (mm)	Grade 4T  				Grade 7T 				Grade 8T  			
			Torque				Torque				Torque			
			Pound feet		Newton meters		Pound feet		Newton meters		Pound feet		Newton meters	
		min.	max.	min.	max.	min.	max.	min.	max.	min.	max.	min.	max.	
M6	UNC	1.00	3.6	5.8	4.9	7.9	5.8	9.4	7.9	12.7	7.2	10	9.8	13.6
M8	UNC	1.25	7.2	14	9.8	19	17	22	23	29.8	20	26	27.1	35.2
M10	UNC	1.5	20	25	27.1	33.9	34	40	46.1	54.2	38	46	51.5	62.3
M12	UNC	1.75	28	34	37.9	46.1	51	59	69.1	79.9	57	66	77.2	89.4
M14	UNC	2.0	49	56	66.4	75.9	81	93	109.8	126	96	109	130.1	147.7
M16	UNC	2.0	67	77	90.8	104.3	116	130	157.2	176.2	129	145	174.8	196.5
M18	UNC	2.0	88	100	119.2	136	150	168	203.3	227.6	175	194	237.1	262.9
M20	UNC	2.5	108	130	146.3	176.2	186	205	252	277.8	213	249	288.6	337.4
M8	UNF	1.0	12	17	16.3	23	19	27	25.7	36.6	22	31	29.8	42
M10	UNF	1.25	20	29	27.1	39.3	35	47	47.4	63.7	40	52	54.2	70.5
M12	UNF	1.25	31	41	42	55.6	56	68	75.9	92.1	62	75	84	101.6
M14	UNF	1.5	52	64	70.5	86.7	90	106	122	143.6	107	124	145	168
M16	UNF	1.5	69	83	93.5	112.5	120	138	162.6	187	140	158	189.7	214.1
M18	UNF	1.5	100	117	136	158.5	177	199	239.8	269.6	202	231	273.7	313
M20	UNF	1.5	132	150	178.9	203.3	206	242	279.1	327.9	246	289	333.3	391.6

Use the above torques when special torque is not given.

NOTE: These values apply to fasteners as received from supplier, dry, or when lubricated with normal engine oil. They do not apply if extreme pressure lubricants are used.

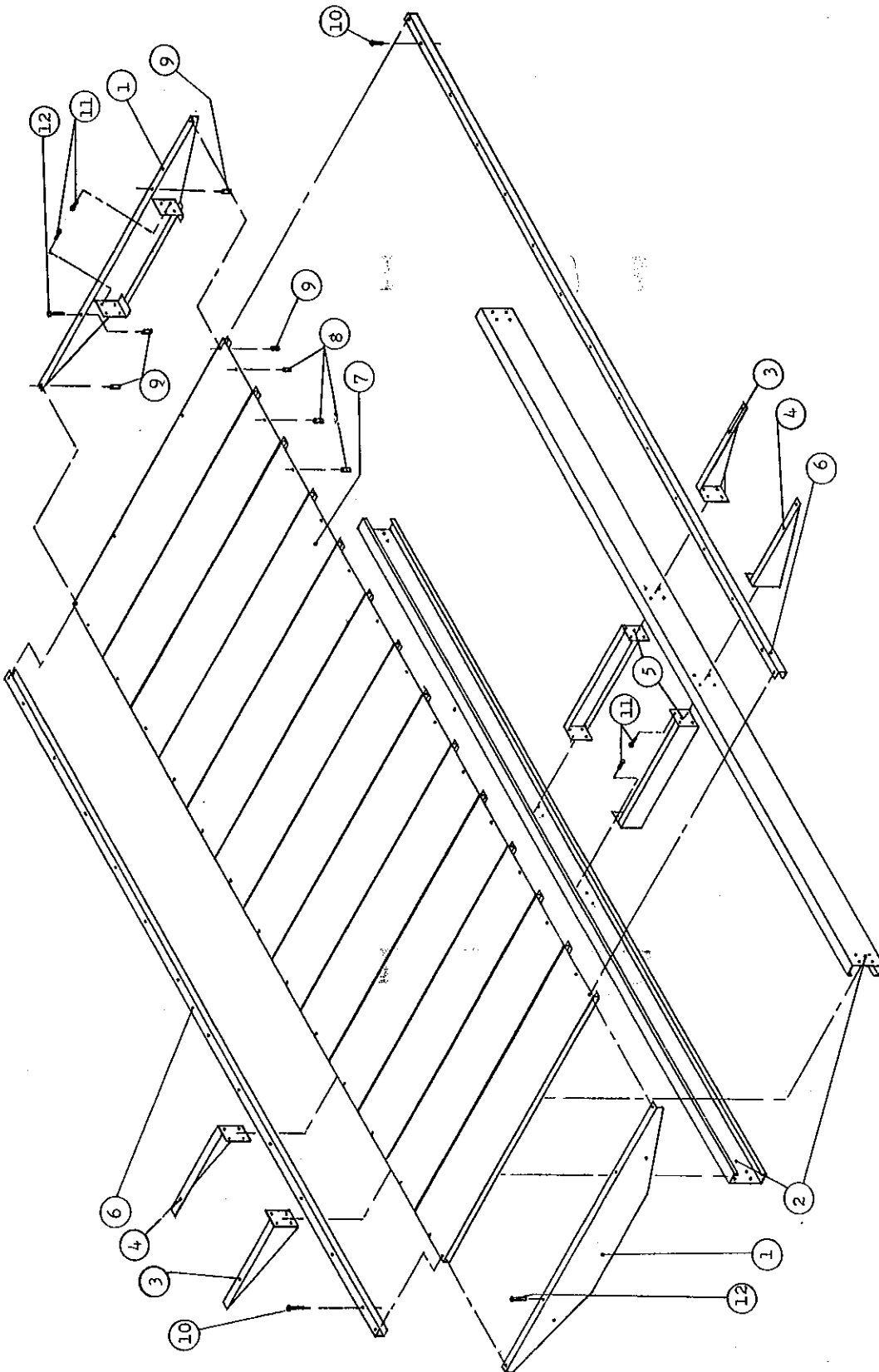
---

---

# PLATFORM P-120 & P-124

---

---



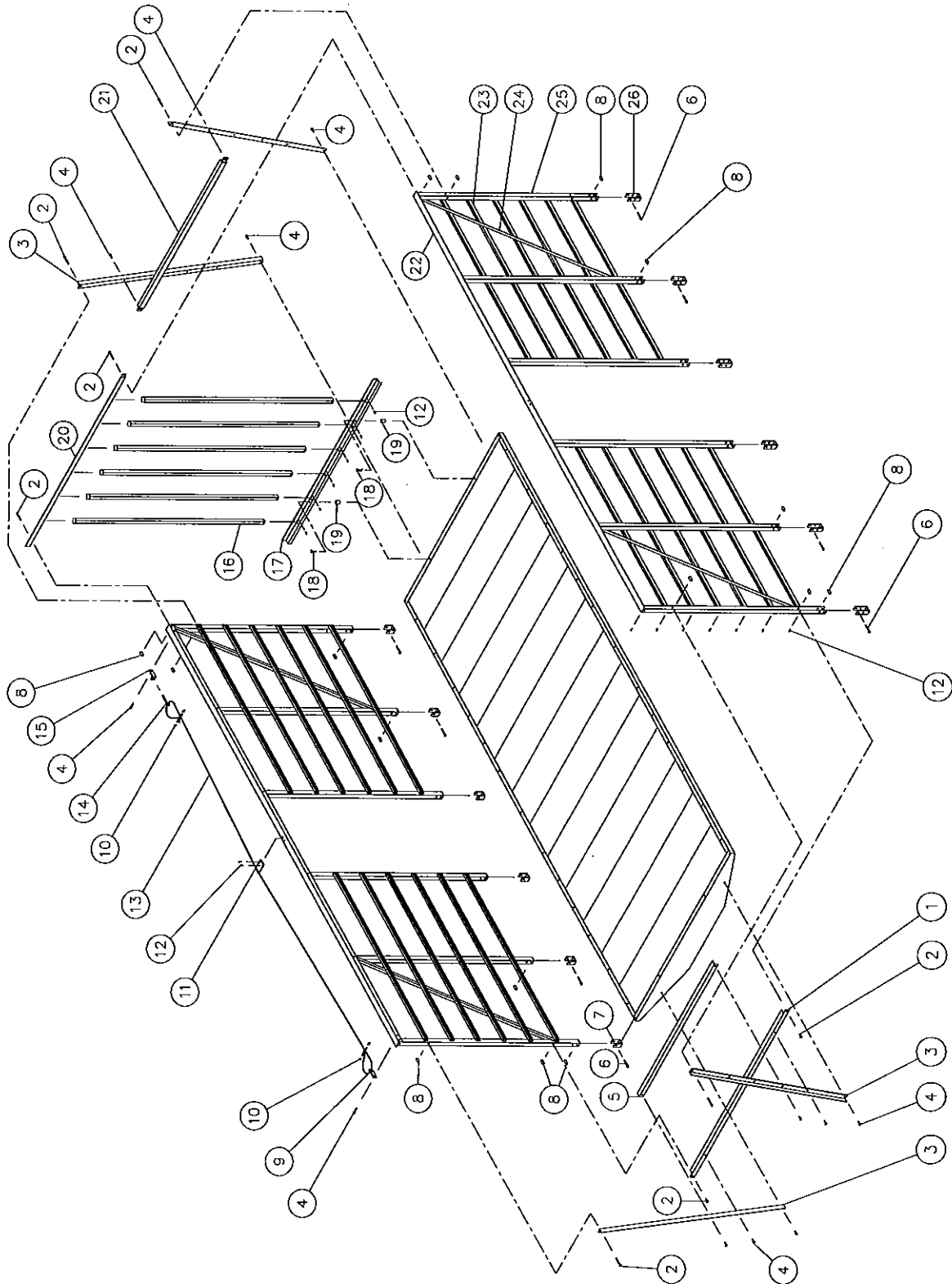
7

# PLATFORM P-120 & P-124

REF.	PART #	DESCRIPTION	QTY	
			P-120	P-124
1	12001	Bumper .....	2	2
2	12002	Main channel .....	2	-
2	12003	Main channel .....	-	2
3	12004	Right support .....	2	2
4	12005	Left support .....	2	2
5	12006	Center cross beam .....	2	2
6	12007	Side channel ("U" shaped) .....	2	-
6	12008	Side channel ("U" shaped) .....	-	2
7	12009	Steel floor section .....	13	16
8	12010	Spacer 1 5/8" .....	26	32
9	12011	Spacer 1 1/2" .....	6	6
10	Std.	Bolt 1/2" NC x 3" lg + nylon locknut .....	30	36
11	Std.	Bolt 1/2" NC x 1 1/2" lg + nylon locknut .....	32	32
12	Std.	Bolt 1/2" NC x 5" lg + nylon locknut .....	2	2

7

# RAIL P-120 & P-124



7

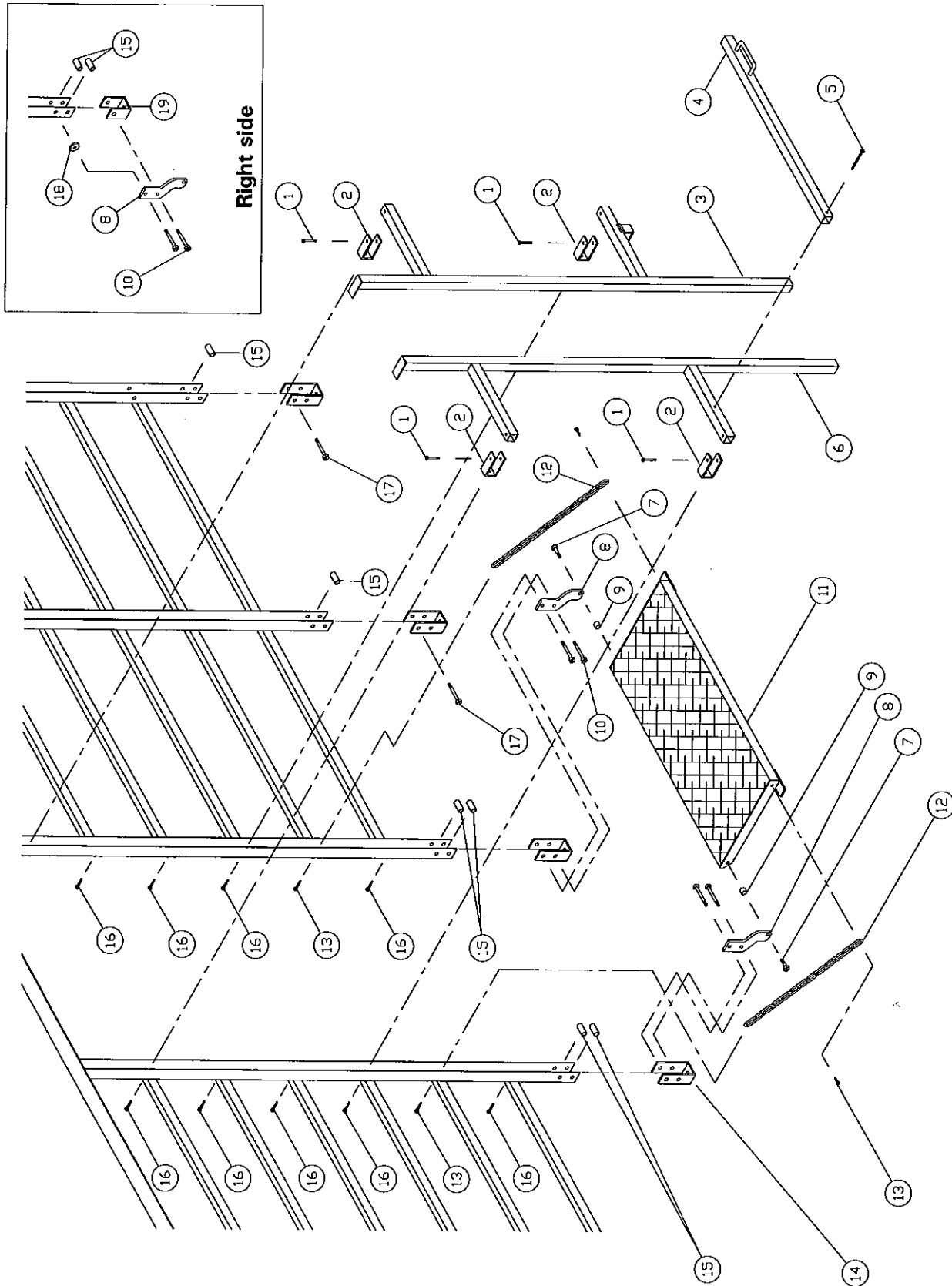
# RAIL P-120 & P-124

REF.	PART #	DESCRIPTION	QTY	
			P-120	P-124
1	12030	Horizontal front brace .....	1	1
2	Std.	Bolt 1/2" NC x 3" lg + nylon locknut .....	8	8
3	12029	Side retainer brace .....	4	4
4	Std.	Bolt 1/2" NC x 1 1/2" lg + nylon locknut .....	10	14
5	12047	Horizontal rear angle .....	1	1
6	Std.	Bolt 1/2" NC x 3 1/2" lg + nylon locknut .....	8	8
7	12021	Post bracket (short) .....	6	6
8	12034	Spacer 1/2" ø x 1 3/4" lg .....	24	24
9	12042	Wire attachment (straight) .....	-	2
10	Std.	Wire clamp 1/4" .....	-	4
11	12043	Wire guide .....	-	2
12	Std.	Bolt 5/16" NC x 1" lg + nylon locknut .....	86	90
13	12044	Wire 1/4" x 288" lg .....	-	2
14	12045	Wire binder .....	-	2
15	12046	Wire attachment (angle) .....	-	2
16	12035	Vertical rear post .....	6	6
17	12033	Back bottom member .....	1	1
18	Std.	Bolt 1/2" NC x 5" lg + nylon locknut .....	2	2
19	12051	Spacer 1" ø x 1 1/2" lg .....	2	2
20	12032	Back top member .....	1	1
21	12031	Horizontal rear brace .....	1	1
22	12023	Top side angle .....	2	-
22	12024	Top side angle .....	-	2
23	12025	Side channel ("U" shaped) .....	24	-
23	12026	Side channel ("U" shaped) .....	-	24
24	12027	Side brace .....	4	-
24	12028	Side brace .....	-	4
25	12022	Vertical post .....	12	12
26	12020	Post bracket (long) .....	6	6

**7**

# DOOR P-120 & P-124

7



Left side

# DOOR P-120 & P-124

REF.	PART #	DESCRIPTION	QTY	
			P-120	P-124
1	Std.	Bolt 5/16" NC x 2 3/4" lg + nylon locknut .....	8	8
2	12055	Door support .....	8	8
3	12057	Door post (right) .....	2	2
4	12058	Door lock .....	2	2
5	Std.	Bolt 5/16" NC x 3 1/2" lg + nylon locknut .....	2	2
6	12056	Door post (left) .....	2	2
7	Std.	Bolt 1/2" NC x 2" lg + nylon locknut .....	4	4
8	12054	Side step support .....	4	4
9	12059	Spacer 1/2" ø x 11/16" lg .....	4	4
10	Std.	Bolt 1/2" NC x 4" lg + nylon locknut .....	8	8
11	12060	Side step .....	2	2
12	12061	Chain .....	4	4
13	Std.	Bolt 5/16" NC x 1" lg + flat washer & nylon locknut .....	8	8
14	12020	Post bracket (long) .....	6	6
15	12034	Spacer 1/2" ø x 1 3/4" lg .....	24	24
16	Std.	Bolt 5/16" NC x 1" lg + nylon locknut .....	86	90
17	Std.	Bolt 1/2" NC x 3 1/2" lg + nylon locknut .....	8	8
18	12062	Flat washer 1 1/2" o.d. x 1/2" i.d. x 1/4" thick .....	2	2
19	12021	Post bracket (short) .....	6	6

---

---

## **WARRANTY**

---

PRONOVOST warrants this product to the initial purchaser for the period of one year from the date of purchase against defects in materials and workmanship.

We will replace or repair defective parts free of charge if they are returned to our plant in St-Tite, Quebec, Canada.

Transportation charges are the responsibility of the customer. This warranty is not transferable.

All PRONOVOST spare parts purchased are covered by a three (3) month warranty.

This warranty becomes void and nul if the equipment is modified, breaks down as the result of an accident, is not operated according to manufacturer's recommendations, damaged by negligence or if maintenance has not been carried out as specified.

Our obligation is limited to the replacement or repair of the defective part. PRONOVOST accepts no responsibility for direct or indirect consequential damages of any kind.









Ce manuel est aussi disponible en français.  
Veuillez téléphoner.



**LES MACHINERIES PRONOVOST INC.**  
260, route 159,  
Saint-Tite, Quebec, Canada, GOX 3H0  
Tel.: (418) 365-7551, Fax: (418) 365-7954