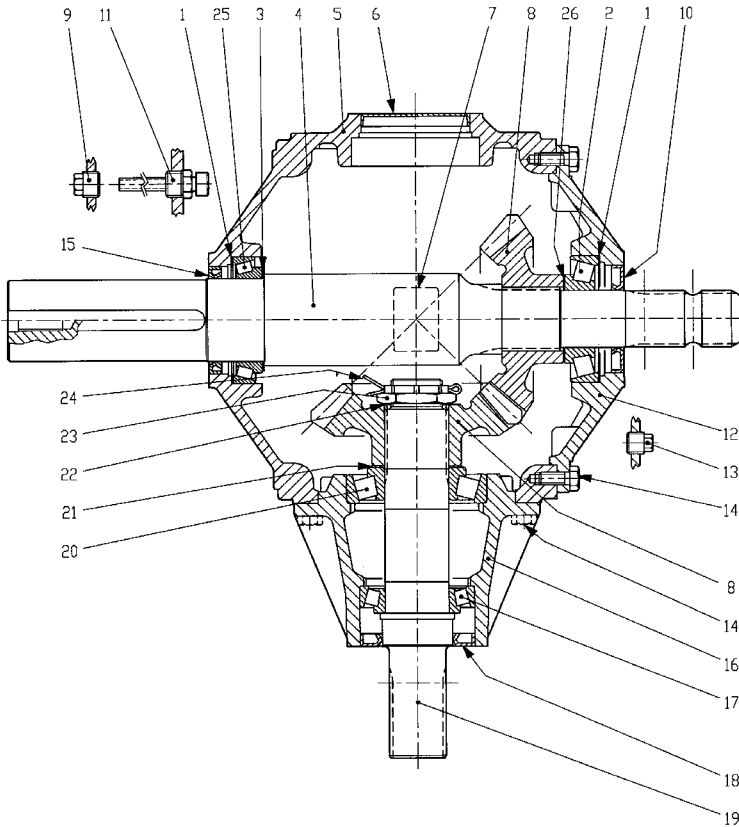
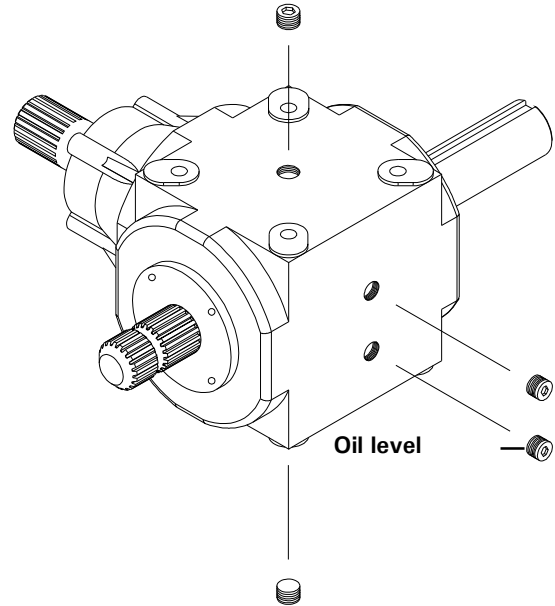


GEAR BOX # 9714 (T301 inverted)

170-05311.tif



Oil volume required: 2.5 liters
Use semi-synthetic **MOBIL SHC 320** or equivalent.



REF.	PART #	DESCRIPTION	QTY
1	9577	Shim	2
2	30309-A	Beraring 30309	1
3	9578	Shim 79,7	1
4	9729	Shaft	1
5	9579	Casing	1
6	9580	Cap	1
7	9730	Plate	1
8	9583	Gear Z20 M7.8	2
9	9584	Plug 1/2" gas	1
10	9596	Oil seal 45 x 85 x 10	1
11	9593	Plug 1/2G	1
12	9592	Cover	1
13	8064	Plug 3/8" gas	1
14	9576	Bolt M10x25	18
15	9586	Oil seal 65 x 85 x 10	1
16	9591	Extension	1
17	30210-A	Bearing 30210	1
18	9590	Oil seal 55 x 90 x 10	1
19	9589	Shaft Z20 1 3/4"	1
20	30310-A	Bearing 30310	1
21	9588	Shim 70.3	1
22	9587	Shim 40.3 x 1.0	1
23	9581	Nut M40 x 1.5	1
24	9582	Cotter pin B4 x 60	1
25	32013X	Bearing 32013X	1
26	9578	Shim 45.3 x 65.3	1