



**OPERATOR'S / PARTS
MANUAL**



Inverted snowblower

Model

P-920IV



Copyright © Les Machineries Pronovost Inc., 2000

All rights reserved.
Printed in Canada.

TABLE OF CONTENTS

Section	Item	Page
1	Introduction	5
2	Safety	6
	General Safety	6
	Safety in operation	6
	Safety with maintenance	7
	Safety in transport	7
	Safety in storage	7
3	Decals	8
	Safety Decals	8
	Maintenance Decals	9
4	Maintenance	10
5	Storage	11
6	Specifications	12
7	Parts List	13
	Inverted Snowblower P-920IV	13
	Semi-industrial Chute PSI-7486IV	16
	P.T.O. Shaft # 190-00471	17
	Gear Box # 190-01491	18
	Cylinder 25TR08	19
	Hydraulic Motor DH-315	20
8	Torque chart	21
9	Warranty	22

INTRODUCTION

Your Snowblower was carefully designed and we are confident it will meet your requirements in terms of quality, performance and reliability.

This manual was prepared to assist you in the safe operation of your new Snowblower. It contains important information which will help you achieve excellent returns with your Snowblower.

Please read this manual completely before operating your Snowblower and keep it for future reference.

Before starting the machine, you or any other person who will be operating the Snowblower must familiarize yourself with the safety recommendations and the operating instructions. Please read carefully and be sure to understand and follow all recommendations and procedures.

In this manual, the right side of the Snowblower is the drive chain side.

If you require additional information on your Snowblower, please contact your PRONOVOST Dealer.

When ordering parts from your Dealer, please refer to these numbers for a fast and efficient service. Use PRONOVOST parts for replacement.

When ordering parts from your Dealer, please refer to these numbers for a fast and efficient service. Use PRONOVOST parts for replacement.

NOW take a moment to enter the model, serial number and the date of purchase of your Snowblower in the space provided.

The model and serial numbers are on the name plate shown on Fig. 1.



Figure 1

MODEL: _____ ✍

SERIAL NO.: _____ ✍

DATE OF PURCHASE: _____ ✍

SAFETY

GENERAL SAFETY

WHEN YOU SEE THIS SYMBOL



ATTENTION!

**BE ALERT
YOUR SAFETY IS INVOLVED**

This symbol «**SAFETY ALERT**» is used in this manual and on the safety decals on the Snowblower. It warns you of the possibility of danger. Carefully read, understand and follow all safety recommendations before operating the Snowblower.

- 1) Careful operation is the best assurance against accidents. Carefully read this manual and follow all recommendations before operating your Snowblower. It is the owner's responsibility to make sure that anyone who will operate the Snowblower will read this manual before operating the equipment.
- 2) Familiarize yourself with all controls and always be ready to stop the Snowblower quickly in case of emergency.
- 3) Never let a child operate the Snowblower.
- 4) Do not modify the Snowblower. Any non authorized modification may affect the efficiency and/or safety of the equipment.
- 5) Never operate the Snowblower with defective parts or if damaged in any way. Have it repaired before operating.
- 6) Make sure all fasteners are in place and properly secured or tightened. Refer to torque chart on page 21.
- 7) Avoid wearing loose fitting clothing when working with the Snowblower. These could get entangled in moving parts of the equipment and cause accidents.

- 8) Prolonged exposure to noise may hamper hearing. Protect yourself by wearing adequate protection devices.
- 9) Hydraulic fluids under pressure can damage your skin. Do not use your hands to locate a leak.
- 10) Before the beginning of the snow season, inspect all areas where the Snowblower will be used and remove any object which may cause an accident and/or damage the equipment.
- 11) Never operate your Snowblower in poor visibility or without proper lighting conditions.

SAFETY IN OPERATION

- 1) Be sure there are no obstructions around the equipment and that no one stands near the equipment when in operation.
- 2) Do not operate an engine in a confined or non ventilated area.
- 3) Do not perform any adjustments, cleaning, maintenance or repairs with the engine running. The engine must be stopped and the P.T.O. disengaged. Preferably remove the key from the ignition.
- 4) Wear adequate clothing when working in cold or windy conditions.
- 5) Before operating, make sure the P.T.O. is properly installed and secured.
- 6) Before starting-up the Snowblower, make sure the auger and drum areas are free of ice.
- 7) Put P.T.O. control in neutral position before starting engine.
- 8) Keep hands, feet and clothing away from moving parts of the Snowblower. Stay away from the discharge chute.
- 9) Before unplugging the chute, always disengage the P.T.O., stop the engine and relieve all hydraulic pressures.

SAFETY (cont'd)

- 10) Do not operate in excessive inclined conditions. Be careful when turning in slopes.
- 11) Never operate your Snowblower with missing guards or without protective devices in place.
- 12) Do not operate your Snowblower near buildings, windows or other vehicles without prior and proper adjustment of the chute deflector.
- 13) Never aim discharge chute towards people or animals. This may cause serious injuries.
- 14) Always reduce operating speed in slippery conditions.
- 15) Be careful when backing-up, make sure you have good visibility.
- 16) Always be on the lookout for objects which may enter the Snowblower.
- 17) If undue vibrations are felt, disengage the P.T.O., stop the motor and look for the cause of the vibration. Vibration is usually the indication of a problem.
- 18) At the end of the operation, disengage the P.T.O., lower the Snowblower, put transmission in neutral, apply parking brake, stop engine and remove the key from the ignition.

SAFETY WITH MAINTENANCE

- 1) Perform the Snowblower maintenance according to recommendations contained in this manual.
- 2) Stop engine and relieve all hydraulic pressures before doing inspection, maintenance or repairs.
- 3) Never perform any work under the Snowblower while it is supported only by the tractor's hydraulic system. It must be completely supported by wooden blocks or other safe means.

SAFETY IN TRANSPORT

- 1) On public roads, use proper safety lights and check local regulations.
- 2) Be alert while driving on the road. Never carry passengers.
- 3) Always disengage P.T.O. while moving from one area of work to another.
- 4) The recommended road speed should be such as to maintain full control over steering and braking.
- 5) Be careful while backing up, make sure you have good visibility.

SAFETY IN STORAGE

- 1) Provide adequate supports to prevent any accidental overturning of the Snowblower.
- 2) Do not let children play in the area where the Snowblower is stored.

DECALS

SAFETY DECALS

The safety decals are affixed wherever special safety precautions are indicated. Locate them on the machine and read them carefully. If a decal is damaged, lost or illegible, install a new one. Each decal is shown and identified with a part number.

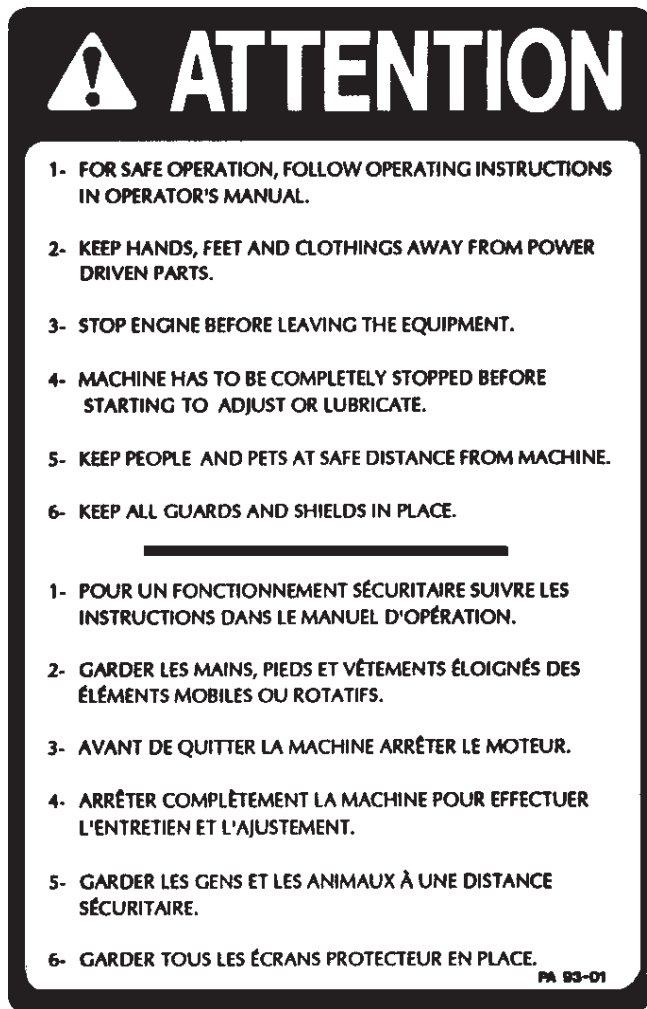


Figure 2
Part no.: A102

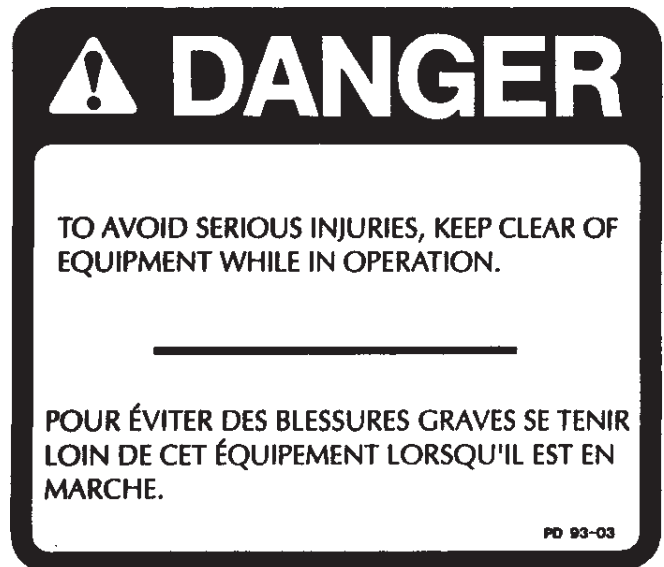


Figure 3
Part no.: A101

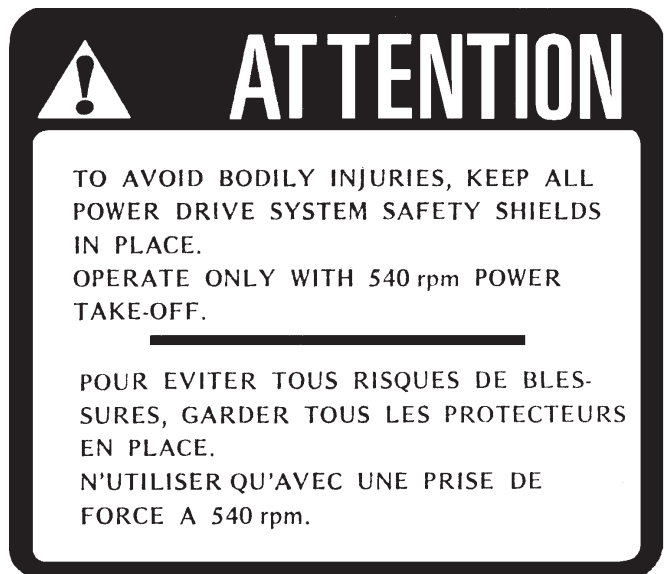


Figure 4
Part no.: A107

DECALS (cont'd)



Figure 5
Part no.: A108



Figure 6
Part no.: A 109

MAINTENANCE DECALS

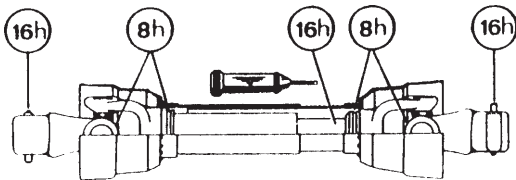
The maintenance decals indicate the points requiring lubrication. Refer to maintenance section for more details.



Figure 7
Part no.: A104

MAINTENANCE

- 1) Wipe off all grease fittings with a clean cloth before adding grease in order to avoid injecting dirt and sand.
- 2) Repair or replace damaged grease fittings.
- 3) Lubricate all grease fittings every 10 hours of operation.
- 4) Oil drive chain every 8 hours of operation.
- 5) Lubricate P.T.O. shaft as indicated below:
 - 6) Check oil level in gear box once a month. If necessary add oil.
 - 7) Check tension of drive chain every 25 hours of operation and adjust if necessary.
 - 8) Check for tightness of bearing collars every 50 hours of operation.
 - 9) Change gearbox oil once a year. Use gear box oil S.A.E. W90 rated API, class GL-5.
 - 10) Check all nuts and bolts once a year. If necessary use torque chart on page 21.



Pull out the P.T.O. and lubricate between the two tubes with low temperature grease.

STORAGE

- 1) Store the Snowblower in a cool, dry place.
- 2) Support the Snowblower with wooden blocks.
- 3) Keep all piston rods in the retracted position. This will assure better protection against the elements.
- 4) Clean your Snowblower.
- 5) Thoroughly inspect all parts of the Snowblower. Replace or repair worn or defective parts.
- 6) Touch-up or repaint if necessary.
- 7) Lubricate all points before storage.

SPECIFICATIONS

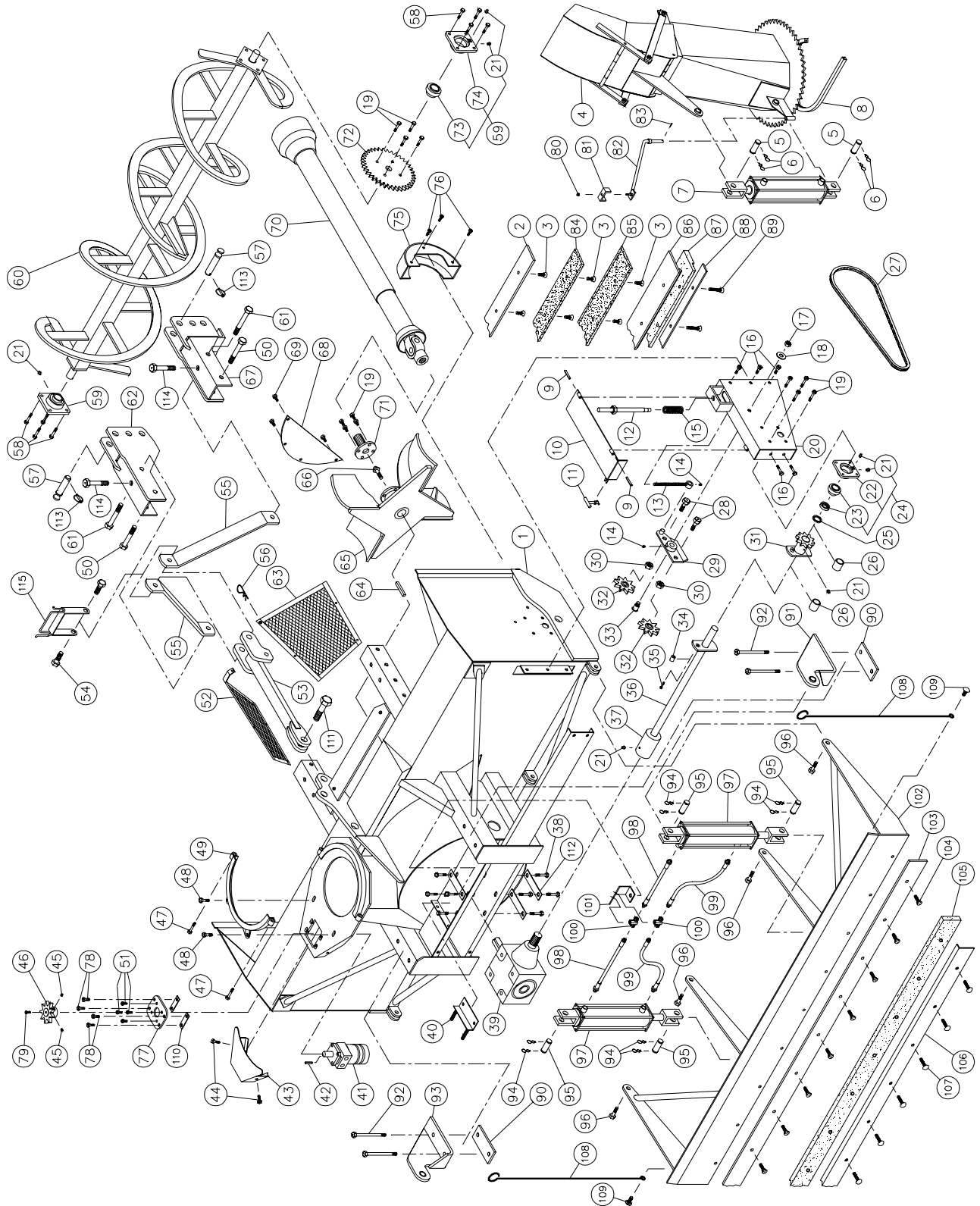
P-920IV

Horse power recommended: 50 to 75 H.P.
Working width: 92"
Cutting height: 31"
Impeller diameter: 26"
Depth of drum: 12"
Impeller blades: 4 curved blades
Number of shear bolts: 1 for impeller, 1 on auger drive
Size of impeller shaft: 1.574"
Impeller RPM: 540 RPM
Number of augers: 1
Drive chain: No. 80
Scraper blade: Std. Standard steel 3/8" x 4"
Opt. CHT-360 steel (1/2" x 4")
Opt. CHT-360 steel (1/2" x 6") sharpened
Opt. TIVAR 88™ (1" x 5¼")
Chute: Semi-industrial chute with cylinder on the deflector
Chute rotation mechanism: | Hydraulic with motor included
| UHMW slide included
P.T.O.: No. 6
Auger bearing: 1 1/2"
Hose support: Included
Hitch category: Category 1 & 2

Design and specifications subject to change without notice.

SNOWBLOWER P-920IV

170-02621



SNOWBLOWER P-920IV

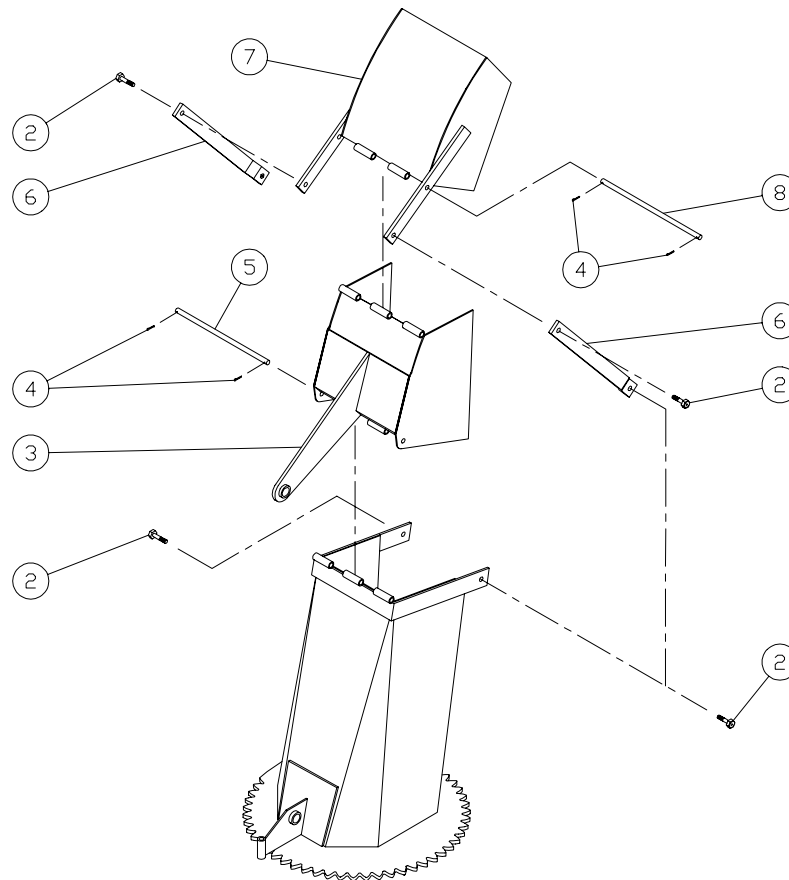
REF.	PART #	DESCRIPTION	QTY
1	120-00512	Frame	1
2	140-00831	Standard steel reversible scraper blade 3/8" x 4" x 90 1/2" lg	1
3	Std.	Plow bolt 7/16" NC x 1 1/2" lg + nut & lockwasher	9
4	120-00831	Semi-industrial chute	1
5	D-600-51	Pin 1" x 3"	2
6	51472	Hitch pin clip (CP132H)	4
7	25TR08	Cylinder 2.5" x 8" standard	1
8	8149	U-shaped UHMW ± 14" i.d.	1
9	Std.	Roll pin 5/16" x 2" lg	2
10	110-02361	Chain guard cover	1
11	8125	Rubber fastener	1
12	110-10271	Threaded tube for idler adjustment	1
13	110-02402	Threaded rod for idler adjustment + nut 7/16" NC	1
14	Std.	Grease fitting 1/4"-28 90°	2
15	9473	Compression spring	1
16	Std.	Bolt 7/16" NC x 1" lg + nylon locknut	5
17	346-45000	Nylon locknut 5/8" NC thin	1
18	376-44000	Flat washer 5/8"	1
19	Std.	Bolt 7/16" NC x 1 1/2" lg + nylon locknut	8
20	110-05061	Chain guard	1
21	Std.	Grease fitting 1/4"-28 straight	8
22	FD207	Flange F207 (for 2 grease fitting)	1
23	SAG207-20	Bearing 1 1/4" (with eccentric collar for F207)	1
24	SAGCFD207-20	Bearing 1 1/4" + flange & 2 grease fitting (straight) + eccentric collar	1
25	160-03942	Spacer 1 1/4" i.d. x 1 5/8" o.d. x 5/32" thick	1
26	8009	Brass bushing 1 1/4" i.d. x 1 1/2" o.d. x 1 3/16" lg	2
27	190-01401	Chain no. 80 x 71" lg (71 links)	1
28	Std.	Bolt 3/4" NC x 2 1/2" lg + nylon locknut	2
29	110-01052	Idler	1
30	160-06511	Spacer 3/4 i.d. x 1 1/16" o.d. x 3/4" lg	2
31	8184	Sprocket 80A10 + shearplate	1
32	9287	Idler sprocket #80	2
33	150-00332	Idler clevis pin	1
34	150-01491	Bushing 1/4" d.i. x 7/8" d.e. x 3/4" lg (welded)	2
35	Std.	Bolt 1/4" NC x 2" lg + nylon locknut	1
36	110-05971	Auger drive shaft 35 13/16" lg overall (includes no. 34 and no.37)	1
37	6466	Splined adaptor 1 1/4" - 19 splines (welded)	1
38	Std.	Bolt 1/2" NC x 1" lg + lock washer	8
39	190-01491	Gear box T27D modified	1
40	8199	Adjustment plate for gear box + 4 nuts 1/2" NC	1
41	DH-315	Hydraulic Orbit motor	1
42	682L9054	Woodruff key	1
43	130-08161	Guard	1
44	Std.	Bolt 7/16" NC x 1 1/4" lg + nylon locknut + flat washer	2
45	323-36160	Hexagonal socket set screw 3/8" NC x 3/8" lg	2
46	110-04182	Sprocket 9 tooth	1
47	Std.	Bolt 7/16" NC x 3" lg + nylon locknut	2
48	Std.	Bolt 1/2" NC x 1 1/2" lg + nylon locknut + flat washer	2
49	110-01341	Retaining bracket	1
50	Std.	Bolt 3/4" NF x 6" lg + nylon locknut	2
51	Std.	Bolt 3/8" NC x 1" lg + lock washer	4
52	110-06011	Left guard	1
53	110-15691	Upper hitch	1
54	Std.	Bolt 3/4" NC x 3" lg + nylon locknut + flat washer 1 1/2" dia.	2
55	140-11141	3-points side bar	2
56	Std.	Hitch pin clip 5/32"	7
57	9269	Pin category 2	2
58	Std.	Bolt 1/2" NC x 1 1/2" lg + nylon locknut	8

SNOWBLOWER P-920IV

REF.	PART #	DESCRIPTION	QTY
59	UCFD208-24	Bearing 1 1/2" + flange & 2 grease fitting (straight)	2
60	110-02451	Auger	1
61	Std.	Bolt 3/4" NF x 6 1/2" lg + nylon locknut	2
62	110-15681	Left lower hitch	1
63	110-06021	Right guard	1
64	8030	Key 3/8" x 3/8" x 3 1/2" lg	1
65	110-05371	Impeller 26" ø - 4 blades	1
66	190-01411	Bolt 5/8" NC x 1 1/2" lg + lock washer (ass'd with locktite 242)	1
67	110-15682	Right lower hitch	1
68	130-06621	Deflector	1
69	Std.	Bolt 7/16" NC x 1" lg + nut & lock nut	4
70	190-00471	P.T.O. shaft	1
71	110-06041	Splined adaptor 1 3/8" - 6 splines	1
72	9281	Sprocket 80A30 T 1 1/2" ø	1
73	UC208-24	Bearing 1 1/2" UC 208-24	2
74	FD208	Flange F208 for 2 grease fitting	2
75	110-02511	Interior chain guard	1
76	Std.	Bolt 3/8" NC x 1" lg + nylon locknut	3
77	130-08151	Orbit motor support	1
78	Std.	Bolt 7/16" NC x 1 1/2" lg + nylon locknut & flat washer	4
79	Std.	Bolt 1/4" NC x 3/4" lg + lock washer	1
80	Std.	Nylon locknut 5/16" NC	1
81	140-00881	Hoses mounting plate	1
82	110-01111	Mounting support plate	1
83	Std.	Cotter pin 1/8" x 1"	1
84	140-04091	Scraper blade (hardened steel, not sharpened, reversible) 1/2" x 4" x 90 1/2" lg	opt.
85	140-07621	Scraper blade (hardened steel, sharpened, not reversible) 1/2" x 6" x 90 1/2" lg	opt.
86	110- 04151	TIVAR scraper blade holder 3/8" x 5 1/2" x 90 1/2" lg	opt.
87	190-01321	TIVAR scraper blade 1" x 90 1/2" lg	opt.
88	140-03981	TIVAR scraper blade support 1/4" x 2" x 90 1/2" lg	opt.
89	Std.	Plow bolt 7/16" NC x 2 1/2" lg + nut & lock washer (9)	opt.
90	140-07881	Support plate (2)	opt.
91	110-10241	Cylinder fastener (right side)	opt.
92	Std.	Bolt 5/8" NC x 5 1/2" lg + nylon locknut (4)	opt.
93	110-10242	Cylinder mounting attachment (left side)	opt.
94	51472	Hairpin cotter (CP132H) (8)	opt.
95	D-600-51	Pin 1" x 3" lg (4)	opt.
96	Std.	Bolt 3/4" NC x 2 1/2" lg + nylon locknut (4)	opt.
97	25TR08	Cylinder 2 1/2" x 8" standard (2)	opt.
98	190-02591	Hose 3/8" x 15" lg + 2 fittings 6U106 (2)	opt.
99	190-02581	Hose 3/8" x 19" lg + 2 fittings 6U106 (2)	opt.
100	5856x6x6	«T» 3/8" NPT (2)	opt.
101	140-07901	Hose support	opt.
102	110-08341	Rear mount scraper blade frame	opt.
103	140-11171	Plow blade (standard steel, reversible) 3/8" x 4" x 91" lg	opt.
104	Std.	Plow bolt 7/16" NC x 1 1/2" lg + nut & lock washer (11)	opt.
105	190-02172	TIVAR plow blade 1" x 4" x 91" lg	opt.
106	130-09072	TIVAR plow blade support 90 1/4" lg	opt.
107	Std.	Carriage bolt 7/16" NC x 2 1/4" lg + nut & lock washer (11)	opt.
108	190-02193	Proximity indicator (2)	opt.
109	Std.	Carriage bolt 7/16" NC x 1 1/2" lg + nut & lock washer (2)	opt.
110	140-09571	Spacer 1/8" x 1" x 4 1/2" lg + nylon locknut	2
111	Std.	Bolt 1 1/4" NC x 4 1/2" lg + nylon locknut	1
112	140-10571	Back plate	3
113	Std.	Lynch pin 1/4" x 1 3/4"	2
114	Std.	Bolt 3/4" NF x 5" lg + nylon locknut	2
115	110-15201	Hoses support	1

SEMI-INDUSTRIAL CHUTE PSI-7486IV

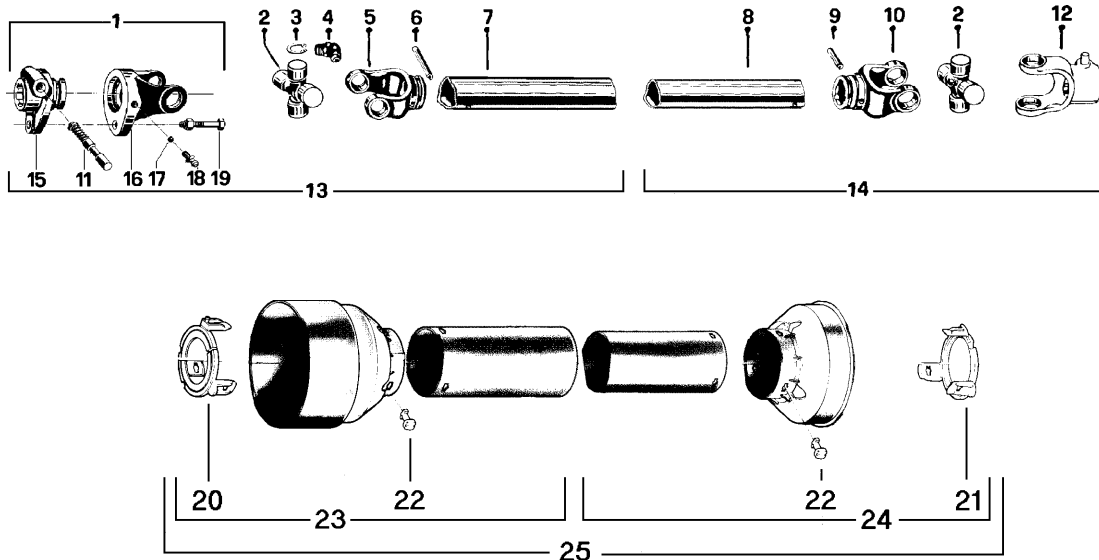
170-00721



REF.	PART #	DESCRIPTION	QTY
1	120-05131	Chute base	1
2	Std.	Bolt ½" x 1 ½ lg + nylon lock nut	4
3	8209	Lower chute deflector	1
4	Std.	Cotter pin 1/8" x 1" lg	4
5	8210	Lower chute deflector pin	1
6	8211	Connecting rod	2
7	8212	Upper chute deflector	1
8	8213	Upper chute deflector pin	1
NI*	120-00831	Semi-industrial chute PSI-7486IV (including numbers 1, 2, 3, 4, 5, 6, 7 and 8) ..	1

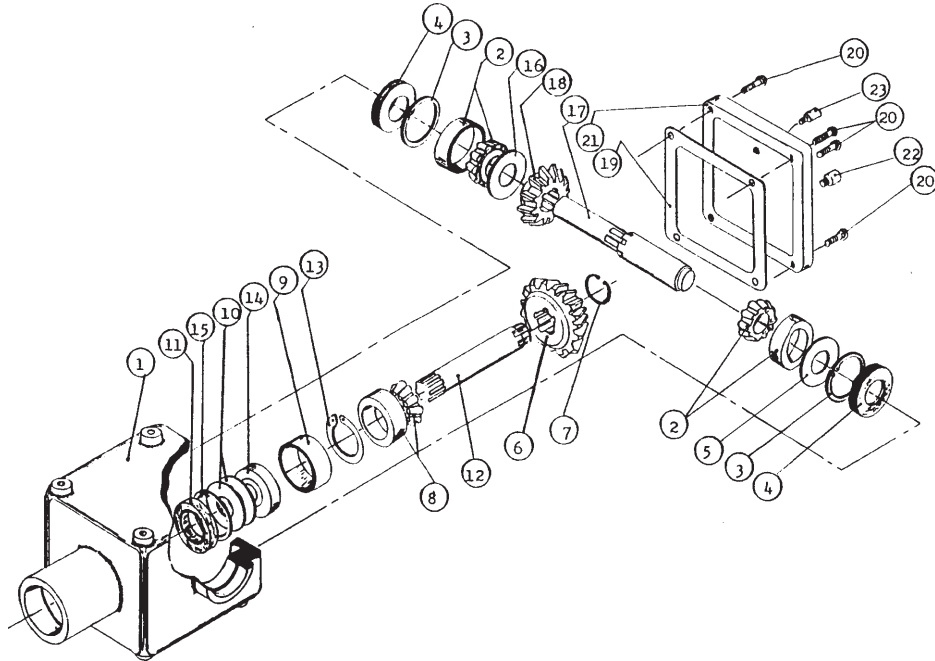
*NI = Not illustrated

P.T.O. SHAFT # 190-00471 (T60)



REF.	PART #	DESCRIPTION	QTY
1	8237-1	Safety shear yoke	1
2	8238	U joint + 4 retaining rings + 1 grease fitting	2
3	8061	Retaining ring	8
4	8110	Grease fitting	2
5	8240	Yoke for outer tube	1
6	9210-E	Stopper for outer tube	1
7	9212-121	Outer tube	1
8	8077-121	Inner tube	1
9	8075	Stopper for inner tube	1
10	8239	Yoke for inner tube	1
11	8068-E	Yoke stopper 1 3/8"	2
12	8250	Yoke with hole 1 3/8"-6 splines + yoke stopper	1
13	8241-1-121	P.T.O. section, side with safety shear bolt, outer part, without protector	1
14	8242-121	P.T.O. section, side without safety shear bolt, inner part, without protector	1
15	8243-1	Adaptor with yoke stopper	1
16	8244	Yoke and shearplate	1
17	9205	Ball	17
18	8071	Grease fitting	1
19	8218	Safety shear bolt M10 x 60mm	1
20	8246	Bearing ring for outer guard tube	1
21	8245	Bearing ring for inner guard tube	1
22	8109	Stopper	6
23	8248-121	Outer shield	1
24	8247-121	Inner shield	1
25	8249-121	Complete shield	1

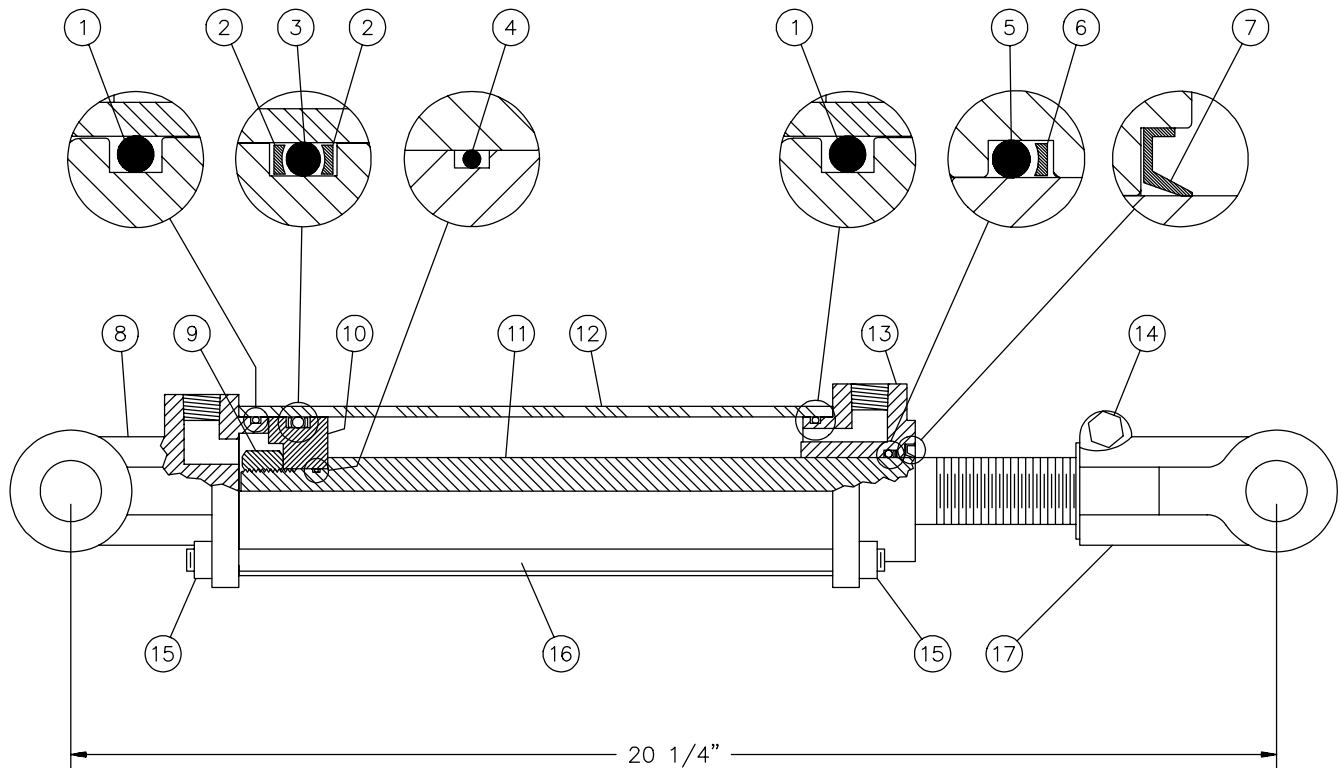
GEAR BOX # 190-01491



REF.	PART #	DESCRIPTION	QTY
1	8043	Casing	1
2	8044	Roller bearing no. 30208	2
3	8045	Inside circlip 80mm	2
4	8046	Oil seal 40 x 80 x 12mm	2
5	8047	Adjusting washer	1
6	8048	Gear Z18	1
7	8049	Outside circlip 40mm	1
8	8050	Roller bearing no. 30207	1
9	8051	Spacer ring	1
10	8052	Adjusting washer	2
11	8053	Oil seal 35 x 72 x 12mm	1
12	8054	Side shaft (1 1/4" - 19 splines)	1
13	8055	Inside circlip 72mm	1
14	8056	Ball bearing no. 6207	1
15	8057	Outside circlip 35mm	1
16	8058	Adjusting washer	1
17	190-01492	Impeller shaft 1.575"	1
18	8060	Gear Z-18	1
19	8061	Gasket	1
20	8062	Bolt M10 x 14mm	4
21	8063	Cover	1
22	8064	Oil plug	1
23	8065	Oil filler plug	1

CYLINDER 25TR08

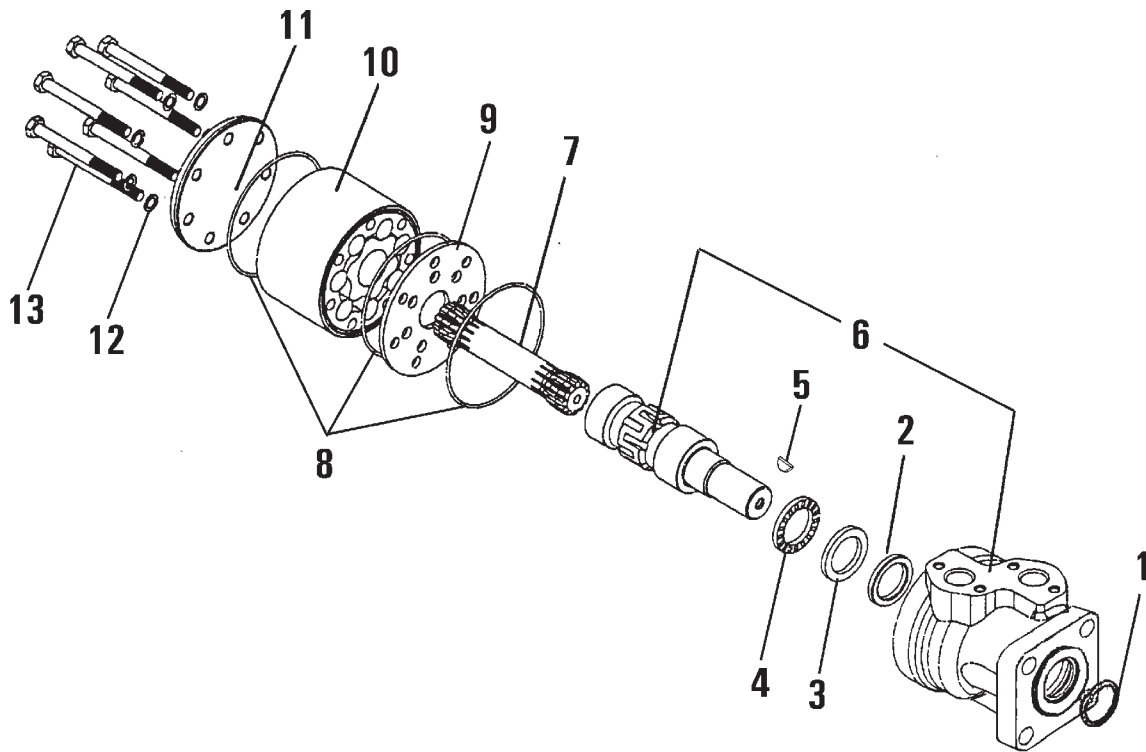
15050



REF.	PART #	DESCRIPTION	QTY
1	See #RK25TR	O-ring 1/8" x 2 1/4" x 2 1/2"	2
2	See #RK25TR	Back-up 2 1/2" o.d. x 3/16 ø	2
3	See #RK25TR	O-ring 3/16" x 2 1/8" x 2 1/2"	1
4	See #RK25TR	O-ring 1/16" x 5/8" x 3/4"	1
5	See #RK25TR	O-ring 1/8" x 1 1/8" x 1 3/8"	1
6	See #RK25TR	Back-up 1 3/8" o.d. x 1/8" ø	1
7	See #RK25TR	Wiper 1 1/8" i.d. x 1 5/8" o.d.	1
8	492401	Yoke (for 2 1/2" tube)	1
9	Std.	Nut 3/4" NF	1
10	4924-31	Piston 2 1/2" ø	1
11	491980	Piston rod 1 1/8"	1
12	491668	Cylinder body 2 1/2" ø	1
13	492421	Head (for 2 1/2" tube)	1
14	Std.	Bolt 3/8" NC x 2 1/4" + nut	1
15	Std.	Nut 3/8" NC	8
16	Std.	Threaded rod 3/8" NC x 12" lg	4
17	458599	Yoke (for 1 1/8" rod)	1
NI*	8183	Pin 1" ø + cotter pin	2
NI*	RK25TR	Repair kit for cylinder 2 1/2" (includes # 1, 2, 3, 4, 5, 6, & 7)	1

*NI = NOT ILLUSTRATED

HYDRAULIC MOTOR #DH 315










REF.	CODE #	DESCRIPTION	QTY
			DH 315
1	633B0370	Dust seal ring	1
2	633B0414	Shaft seal BAKDH ring	1
3	151-5708	Bearing race	1
4	151-5709	Axial needle bearing	1
5	682L9054	Woodruff key	1
6	-----	Housing and output shaft	not sold
7	151-2650	Shaft	1
8	633B1173	O-ring	3
9	151-1713	Distributor plate	1
10	151-1186	Gear wheel set	1
11	151-2673	End cover	1
12	684X0076	Washer	6
13	681X0186	Screw M8 x 1.25mm Din 931 x 70mm lg	6
NI*	151-1286	Set of seals	1




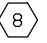

*NI = NOT ILLUSTRATED

TORQUE CHART

TORQUE SPECIFICATION TABLE

Thread UNC and UNF		Grade 2 				Grade 5   				Grade 8*   			
Bolt size		Torque				Torque				Torque			
Inches	mm	Pound feet min.	max.	Newton meters min.	max.	Pound feet min.	max.	Newton meters min.	max.	Pound feet min.	max.	Newton meters min.	max.
1/4	6.35	5	6	6.8	8.13	9	11	12.2	14.9	12	15	16.3	30.3
5/16	7.94	10	12	13.6	16.3	17	20.5	23.1	27.8	24	29	32.5	39.3
3/8	9.53	20	23	27.1	31.2	35	42	47.5	57.0	45	54	61.0	73.2
7/16	11.11	30	35	40.7	47.4	54	64	73.2	86.8	70	84	94.9	113.9
1/2	12.70	45	52	61.0	70.5	80	96	108.5	130.2	110	132	149.2	179.0
9/16	14.29	65	75	88.1	101.6	110	132	149.2	179.0	160	192	217.0	260.4
5/8	15.88	95	105	128.7	142.3	150	180	203.4	244.1	220	264	298.3	358.0
3/4	19.05	150	185	203.3	250.7	270	324	366.1	439.3	380	456	515.3	618.3
7/8	22.23	160	200	216.8	271.0	400	480	542.4	650.9	600	720	813.6	976.3
1	25.40	250	300	338.8	406.5	580	696	786.5	943.8	900	1080	1220.4	1464.5
1 1/8	25.58	-	-	-	-	800	880	1084.8	1193.3	1280	1440	1735.7	1952.6
1 1/4	31.75	-	-	-	-	1120	1240	1518.7	1681.4	1820	2000	2467.9	2712.0
1 3/8	34.93	-	-	-	-	1460	1680	1979.8	2278.1	2380	2720	3227.3	3688.3
1 1/2	38.10	-	-	-	-	1940	2200	2630.6	2983.2	3160	3560	4285.0	4827.4

* Thick nuts must be used with grade 8 bolts.

Size of screw	Thread	Pitch (mm)	Grade 4T  				Grade 7T 				Grade 8T  			
			Torque				Torque				Torque			
			Pound feet min.	max.	Newton meters min.	max.	Pound feet min.	max.	Newton meters min.	max.	Pound feet min.	max.	Newton meters min.	max.
M6	UNC	1.00	3.6	5.8	4.9	7.9	5.8	9.4	7.9	12.7	7.2	10	9.8	13.6
M8	UNC	1.25	7.2	14	9.8	19	17	22	23	29.8	20	26	27.1	35.2
M10	UNC	1.5	20	25	27.1	33.9	34	40	46.1	54.2	38	46	51.5	62.3
M12	UNC	1.75	28	34	37.9	46.1	51	59	69.1	79.9	57	66	77.2	89.4
M14	UNC	2.0	49	56	66.4	75.9	81	93	109.8	126	96	109	130.1	147.7
M16	UNC	2.0	67	77	90.8	104.3	116	130	157.2	176.2	129	145	174.8	196.5
M18	UNC	2.0	88	100	119.2	136	150	168	203.3	227.6	175	194	237.1	262.9
M20	UNC	2.5	108	130	146.3	176.2	186	205	252	277.8	213	249	288.6	337.4
M8	UNF	1.0	12	17	16.3	23	19	27	25.7	36.6	22	31	29.8	42
M10	UNF	1.25	20	29	27.1	39.3	35	47	47.4	63.7	40	52	54.2	70.5
M12	UNF	1.25	31	41	42	55.6	56	68	75.9	92.1	62	75	84	101.6
M14	UNF	1.5	52	64	70.5	86.7	90	106	122	143.6	107	124	145	168
M16	UNF	1.5	69	83	93.5	112.5	120	138	162.6	187	140	158	189.7	214.1
M18	UNF	1.5	100	117	136	158.5	177	199	239.8	269.6	202	231	273.7	313
M20	UNF	1.5	132	150	178.9	203.3	206	242	279.1	327.9	246	289	333.3	391.6

Use the above torques when special torque is not given.

NOTE: These values apply to fasteners as received from supplier, dry, or when lubricated with normal engine oil. They do not apply if extreme pressure lubricants are used.

WARRANTY

PRONOVOST warrants this product to the initial purchaser for the period of one year from the date of purchase against defects in materials and workmanship.

We will replace or repair defective parts free of charge if they are returned to our plant in St-Tite, Quebec, Canada.

Transportation charges are the responsibility of the customer. This warranty is not transferable.

Hydraulic cylinders are covered by the manufacturer of these items.

All PRONOVOST spare parts purchased are covered by a three (3) month warranty.

This warranty becomes void and nul if the equipment is modified, breaks down as the result of an accident, is not operated according to manufacturer's recommendations, damaged by negligence or if maintenance has not been carried out as specified.

Our obligation is limited to the replacement or repair of the defective part. PRONOVOST accepts no responsibility for direct or indirect consequential damages of any kind.

Ce manuel est aussi disponible en français.
Veuillez téléphoner.



INNOVATION - EXCELLENCE

LES MACHINERIES PRONOVOST INC.

260, route 159,

Saint-Tite, Quebec, Canada, G0X 3H0

Tel.: (418) 365-7551, Fax: (418) 365-7954

www.pronovost.qc.ca