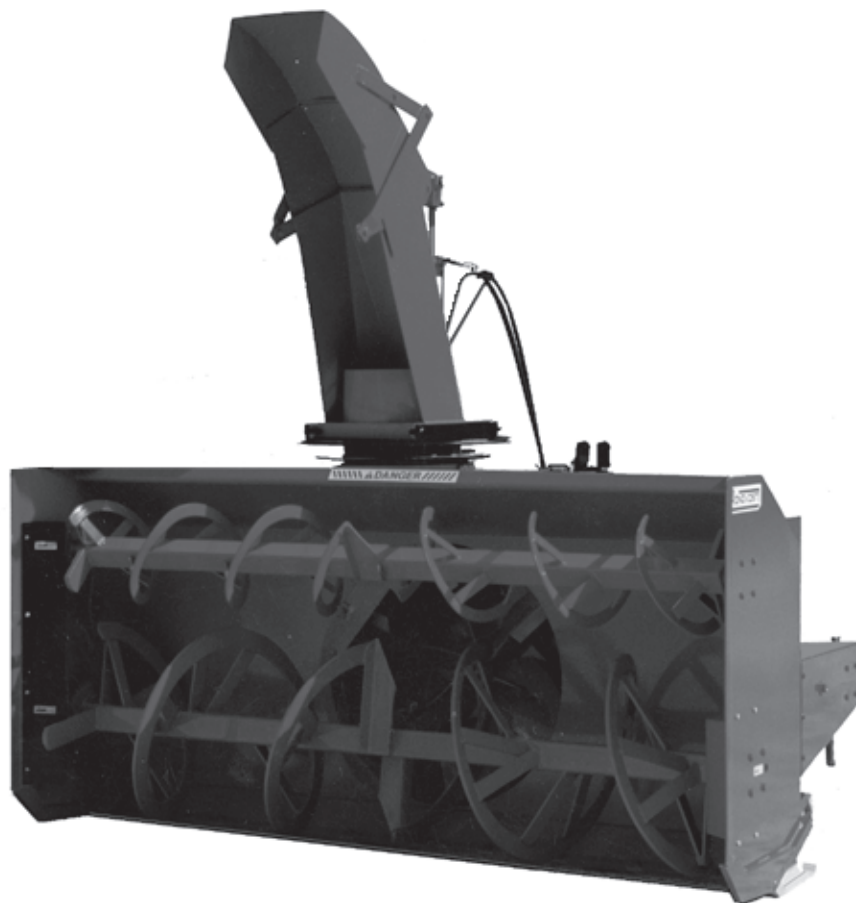




**OPERATOR'S / PARTS
MANUAL**



Snowblowers

Models

P-992 & P-992TRC

P-980 & P-980TRC

P-1040 & P-1040TRC



Copyright © Les Machineries Pronovost Inc., 2002

All rights reserved.
Printed in Canada.

TABLE OF CONTENTS

Section	Item	Page
1	Introduction	5
2	Safety	6
	General Safety	6
	Safety in Operation	6
	Safety with Maintenance	7
	Safety in Transport	7
	Safety in Storage	7
3	Decals	8
	Safety Decals	8
	Maintenance Decals	10
4	Assembly	11
	General assembly	11
	Motor on the rotary drum	12
	Hydraulic Chute Kit: Motor	13
5	Start-up	14
	Basic Start-up Procedures	14
6	Maintenance	15
7	Storage	16
8	Trouble Shooting	17
9	Specifications	19
10	Parts List	20
	Snowblower P-992	20
	Snowblower P-992TRC	23
	Snowblower P-980 P-1040	26
	Snowblowers P-980TRC P-1040TRC	29
	Semi-industrial Chute PSI-92104	33
	Industrial Chute PC-92104	35
	Hydraulic telescopic chute PCTH-92104	37
	Heavy Duty Kit	39
	P.T.O. Shaft 9225	41
	P.T.O. Shaft 9475	42
	Gear Box 9307	43
	Reduction Gear Box # 9575	44
	Reduction Gear Box # 9609	45
	Reduction Gear Box # 9621	46
	Cylinder 25TR08	47
	Cylinder 20G28	48
	Hydraulic Motor MLH-250 & MLH-315	49
11	Torque Chart	50
12	Warranty	51

INTRODUCTION

CONGRATULATIONS!

Thank you for choosing PRONOVOST. We are confident this equipment will meet your requirements in terms of quality, performance and reliability.

This manual was prepared to assist you in the safe operation of your new Snowblower. It contains important information which will help you achieve excellent returns with your Snowblower for years to come.

Please read this manual completely before operating your Snowblower and keep it for future reference.

Before starting the machine, you or any other person who will be operating the Snowblower must familiarize yourself with the safety recommendations and the operating instructions. Please read carefully and be sure to understand and follow all recommendations and procedures.

In this manual, the right and left sides are identified as shown on Figure 1.

If you require additional information on your Snowblower, please contact your PRONOVOST Dealer.

NOW take a moment to enter the model, serial number and the date of purchase of your Snowblower in the space provided.

When ordering parts from your Dealer, please refer to these numbers for a fast and efficient service. Use PRONOVOST parts for replacement.

The model and serial numbers are on the name plate shown on Fig. 1.

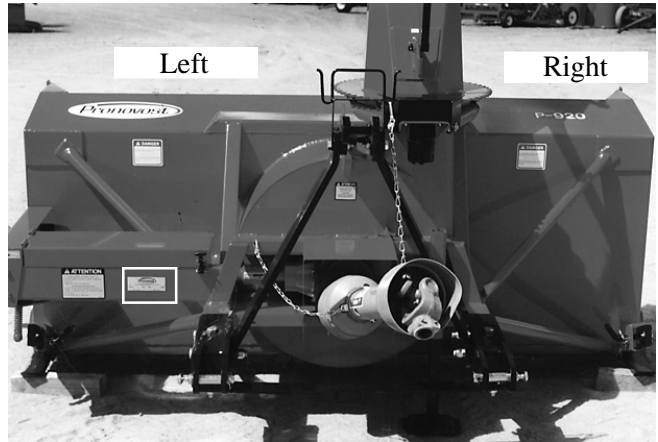


Figure 1

MODEL: _____

SERIAL NO: _____

DATE OF PURCHASE: _____

SAFETY

GENERAL SAFETY

2

WHEN YOU SEE THIS SYMBOL



ATTENTION!

**BE ALERT
YOUR SAFETY IS INVOLVED**

This symbol «**SAFETY ALERT**» is used in this manual and on the safety decals on the Snowblower. It warns you of the possibility of danger. Carefully read, understand and follow all safety recommendations before operating the Snowblower.

- 1) Careful operation is the best assurance against accidents. Carefully read this manual and follow all recommendations before operating your Snowblower. It is the owner's responsibility to make sure that anyone who will operate the Snowblower will read this manual before operating the equipment.
- 2) Familiarize yourself with all controls and always be ready to stop the Snowblower quickly in case of emergency.
- 3) Never let a child operate the Snowblower.
- 4) Do not modify the Snowblower. Any non authorized modification may affect the efficiency and/or safety of the equipment and will automatically void the warranty.
- 5) Never operate the Snowblower with defective parts or if damaged in any way. Have it repaired before operating.
- 6) Make sure all fasteners are in place and properly secured or tightened. Refer to torque chart on page 50.
- 7) Avoid wearing loose fitting clothing when working with the Snowblower. These could get entangled in moving parts of the equipment and cause accidents.
- 8) Prolonged exposure to noise may hamper hearing.

Protect yourself by wearing adequate protection devices.

- 9) Hydraulic fluids under pressure can damage your skin. Do not use your hands to locate a leak.
- 10) Before the beginning of the snow season, inspect all areas where the Snowblower will be used and remove any object which may cause an accident and/or damage the equipment.
- 11) Never operate your Snowblower in poor visibility or without proper lighting conditions.

SAFETY IN OPERATION

- 1) Be sure there are no obstructions around the equipment and that no one stands near the equipment when in operation.
- 2) Do not operate an engine in a confined or non ventilated area.
- 3) Do not perform any adjustments, cleaning, maintenance or repairs with the engine running. The engine must be stopped and the P.T.O. disengaged. Preferably remove the key from the ignition.
- 4) Wear adequate clothing when working in cold or windy conditions.
- 5) Adjust skid shoes for proper ground clearance of scraper blade, especially in rough terrain or soft ground conditions.
- 6) Before operating, make sure the P.T.O. is properly installed and secured.
- 7) Before starting-up the Snowblower, make sure the auger and drum areas are free of ice.
- 8) Put P.T.O. control in neutral position before starting engine.
- 9) Keep hands, feet and clothing away from moving parts of the Snowblower. Stay away from the discharge chute.

SAFETY (cont'd)

- 10) Before unplugging the chute, always disengage the P.T.O., stop the engine and relieve all hydraulic pressures.
- 11) Do not operate in excessive inclined conditions. Be careful when turning in slopes.
- 12) Never operate your Snowblower with missing guards or without protective devices in place.
- 13) Do not operate your Snowblower near buildings, windows or other vehicles without prior and proper adjustment of the chute deflector.
- 14) Never aim discharge chute towards people or animals. This may cause serious injuries.
- 15) Always reduce operating speed in slippery conditions.
- 16) Be careful when backing-up, make sure you have good visibility.
- 17) Always be on the lookout for objects which may enter the snowblower.
- 18) If undue vibrations are felt, disengage the P.T.O., stop the motor and look for the cause of the vibration. Vibration is usually the indication of a problem.
- 19) At the end of the operation, disengage the P.T.O., lower the Snowblower, put transmission in neutral, apply parking brake, stop engine and remove the key from the ignition.

SAFETY WITH MAINTENANCE

- 1) Perform the Snowblower maintenance according to recommendations contained in this manual.

- 2) Stop engine and relieve all hydraulic pressures before doing inspection, maintenance or repairs.
- 3) Never perform any work under the Snowblower while it is supported only by the tractor's hydraulic system. It must be completely supported by wooden blocks or other safe means.

SAFETY IN TRANSPORT

- 1) On public roads, use proper safety lights and check local regulations.
- 2) Be alert while driving on the road. Never carry passengers.
- 3) Always disengage P.T.O. while moving from one area of work to another.
- 4) It is recommended to use both brake pedals simultaneously for better control.
- 5) The recommended road speed should be such as to maintain full control over steering and braking.
- 6) Be careful while backing up, make sure you have good visibility.

SAFETY IN STORAGE

- 1) Provide adequate supports to prevent any accidental overturning of the Snowblower.
- 2) Do not let children play in the area where the Snowblower is stored.

2

DECALS

SAFETY DECALS

The safety decals are affixed wherever special safety precautions are indicated. Locate them on the machine and read them carefully. If a decal is damaged, lost or illegible, install a new one. The following photos indicate where each one must be installed.

3

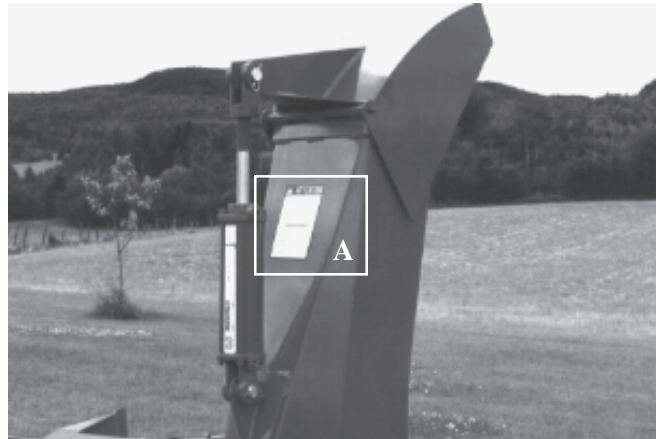


Figure 3

! ATTENTION

- 1- FOR SAFE OPERATION, FOLLOW OPERATING INSTRUCTIONS IN OPERATOR'S MANUAL.
- 2- KEEP HANDS, FEET AND CLOTHINGS AWAY FROM POWER DRIVEN PARTS.
- 3- STOP ENGINE BEFORE LEAVING THE EQUIPMENT.
- 4- MACHINE HAS TO BE COMPLETELY STOPPED BEFORE STARTING TO ADJUST OR LUBRICATE.
- 5- KEEP PEOPLE AND PETS AT SAFE DISTANCE FROM MACHINE.
- 6- KEEP ALL GUARDS AND SHIELDS IN PLACE.

- 1- POUR UN FONCTIONNEMENT SÉCURITAIRE SUIVRE LES INSTRUCTIONS DANS LE MANUEL D'OPÉRATION.
- 2- GARDER LES MAINS, PIEDS ET VÊTEMENTS ÉLOIGNÉS DES ÉLÉMENTS MOBILES OU ROTATIFS.
- 3- AVANT DE QUITTER LA MACHINE ARRÊTER LE MOTEUR.
- 4- ARRÊTER COMPLÈTEMENT LA MACHINE POUR EFFECTUER L'ENTRETIEN ET L'AJUSTEMENT.
- 5- GARDER LES GENS ET LES ANIMAUX À UNE DISTANCE SÉCURITAIRE.
- 6- GARDER TOUS LES ÉCRANS PROTECTEUR EN PLACE.

PA 93-01

Figure 2
Decal A

Part no.: A102

! DANGER

TO AVOID SERIOUS INJURIES, KEEP CLEAR OF EQUIPMENT WHILE IN OPERATION.

POUR ÉVITER DES BLESSURES GRAVES SE TENIR LOIN DE CET ÉQUIPEMENT LORSQU'IL EST EN MARCHÉ.

PD 93-03

Figure 4
Decal B

Part no.: A101



Figure 5

DECALS (cont'd)

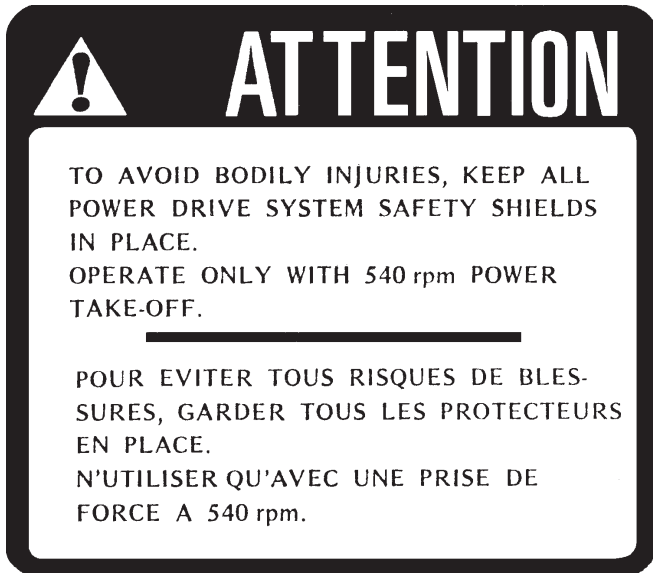


Figure 6
Decal C

Part no.: A107



Figure 7
Decal D

Part no.: A103

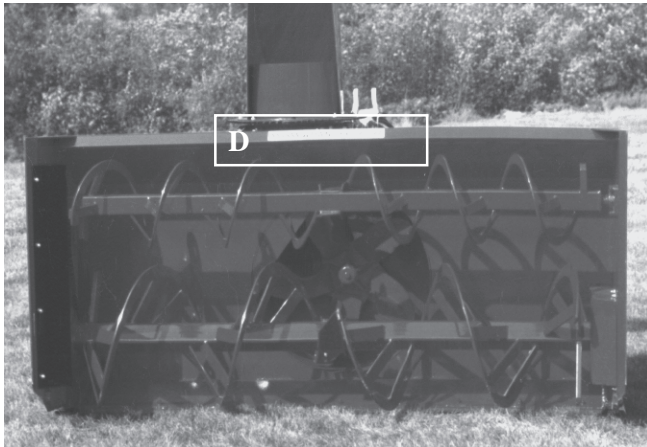


Figure 8

Decal E in Fig. 9 is located directly on the P.T.O. shaft. It is not visible when the safety shield is in place. It must never be visible when you operate the equipment.



Figure 9
Decal E

Part no.: A108

3

DECALS (cont'd)

3



Figure 10
Decal F

Part no.: A 109

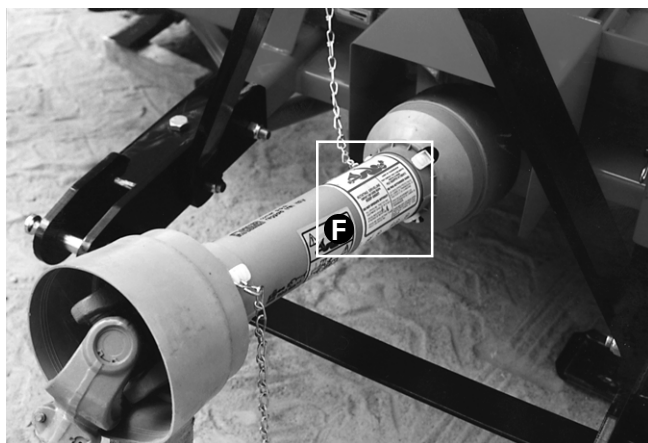
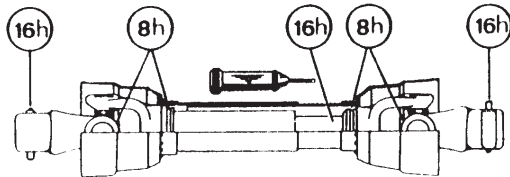


Figure 11

MAINTENANCE DECALS

The maintenance decals indicate the points requiring lubrication. Refer to maintenance section for more details.

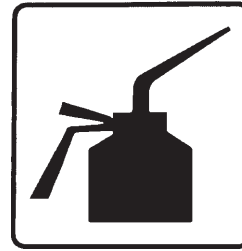


Figure 12

Part no.: A 105



Figure 13

Part no.: A 106



Figure 14
Decal G

Part no.: A104

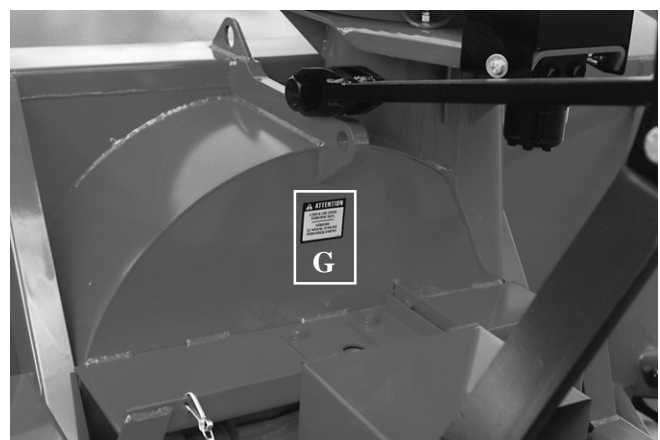


Figure 15

ASSEMBLY



Figure 16

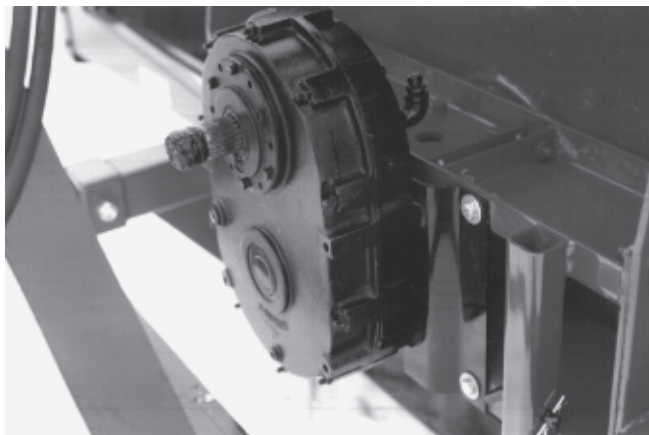


Figure 17



Figure 18

ASSEMBLY

- 1) The Snowblower is shipped partly assembled.
- 2) Install 3-point system according to the model of your Snowblower. (See section 10 for parts numbers). Use the holes most convenient to the type of tractor used (Fig. 16).
- 3) If your snowblower is equipped with the optional 1000 to 540 RPM reducer, install it on the gear box with the plate included (Fig. 17). With the 1000/540 rpm reducer, you must use the P.T.O. shaft # 9569 and a shear bolt M10 x 60 mm.
- 4) Install P.T.O. shaft # 9225-EG onto the gear box (or the P.T.O. shaft # 9569 onto the RPM reducer) and place the shear pin end on the Snowblower side. Then attach safety shield support chain as shown (Fig. 18). **WARNING:** The telescoping tubes of the drive shaft must never be allowed to bottom out while maintaining a minimum overlap of 6 inches.
- 5) If equipped with a rotating drum, install a hydraulic motor. Refer to page 12 for installation instructions.
- 6) For the installation of the chute rotation mechanism, please refer to page 13.

4

ASSEMBLY (cont'd)

4

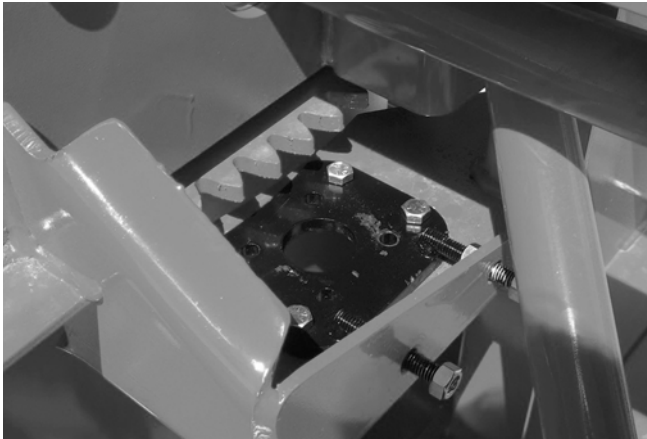


Figure 19

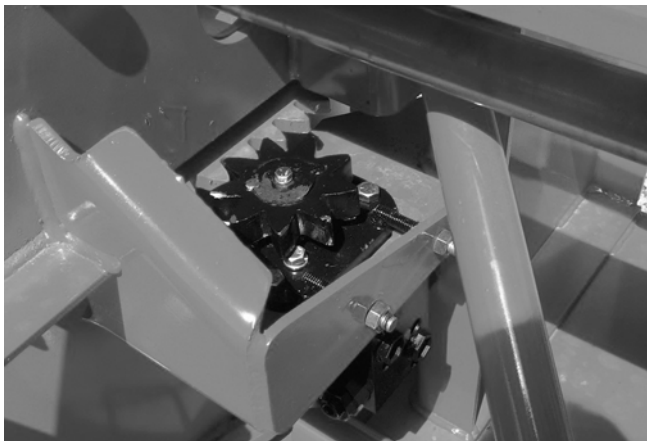


Figure 20

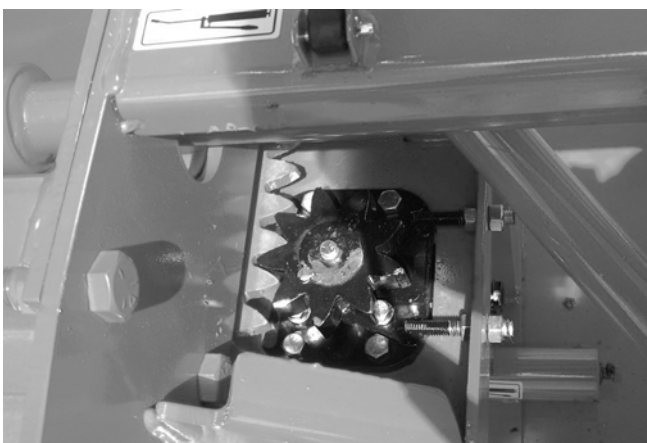


Figure 21

MOTOR ON THE ROTARY DRUM

- 1) Tip the Snowblower forward (gear box facing up) and open the guard protecting the drive shaft.
- 2) Install the mounting plate tightening the bolts lightly (Fig. 19).
- 3) Bolt hydraulic motor in place pointing the oil outlets to the exterior and install sprocket (Fig. 20).
- 4) Using the take-up screws, adjust gear to mesh without bottoming (Fig. 21).
- 5) Tighten mounting plate bolts.
- 6) It is important that the cushion valve furnished be installed. Cushion valve has been pre set in plant at 1600 psi.
- 7) Close the drive shaft guard (Fig. 22).

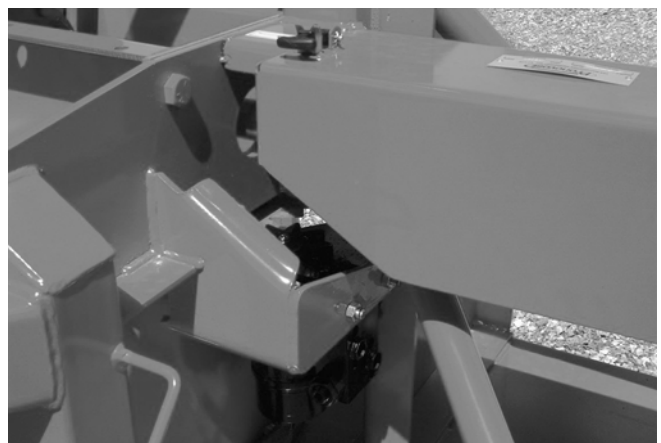


Figure 22

ASSEMBLY (cont'd)

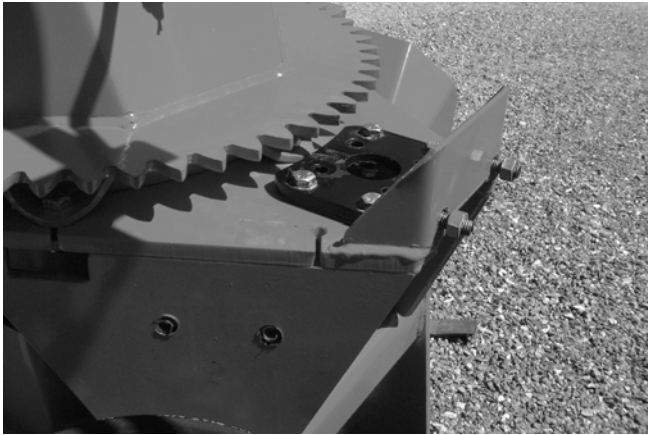


Figure 23

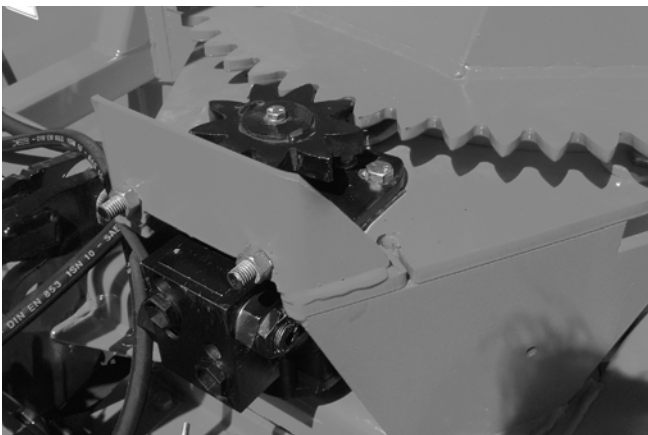


Figure 24

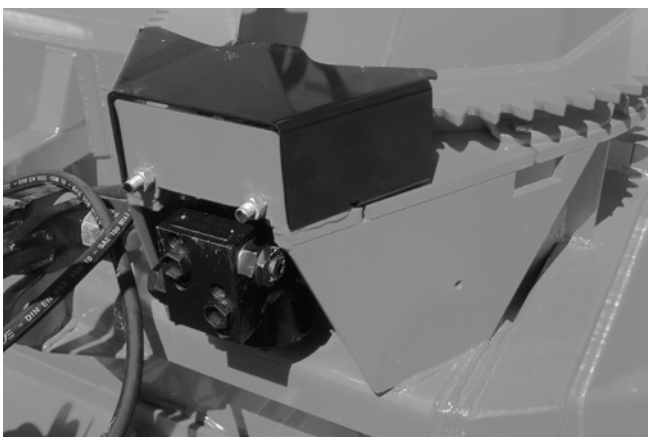


Figure 25

HYDRAULIC CHUTE ROTATION Motor

- 1) Install U-shaped UHMW piece, place chute on Snowblower and secure with retaining bracket and bolts provided.
- 2) Install the mounting plate; put the required spacers between mounting plate and base of chute (see p. 33 to 38 for chute model). Do not tighten the bolts immediately, they will be tightened at final adjustment (Fig. 23).
- 3) Install motor and 9 tooth gear. The thickness of the 9 tooth gear is slightly more than the ring-gear. Make sure it exceeds on both sides of the ring gear (Fig. 24).
- 4) Using the take-up screws, adjust gear to mesh without bottoming. Tighten mounting plate bolts.
- 5) Install guard. It is important that the cushion valve furnished with your chute rotation kit be installed. Cushion valve has been pre set in plant at 1600 psi. (Fig. 25).
- 6) If you install a hydraulic cylinder on the chute deflector, use model 25TR08 cylinder.
- 7) Use the optional hose support plate no. TSB-74104 (Fig. 26).

4



Figure 26

STARTING-UP

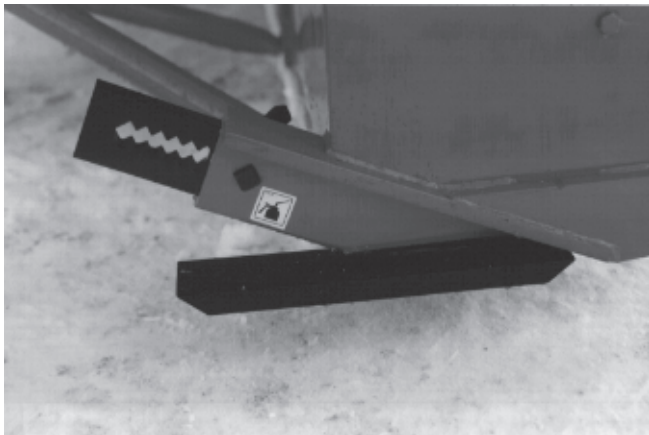


Figure 27

5

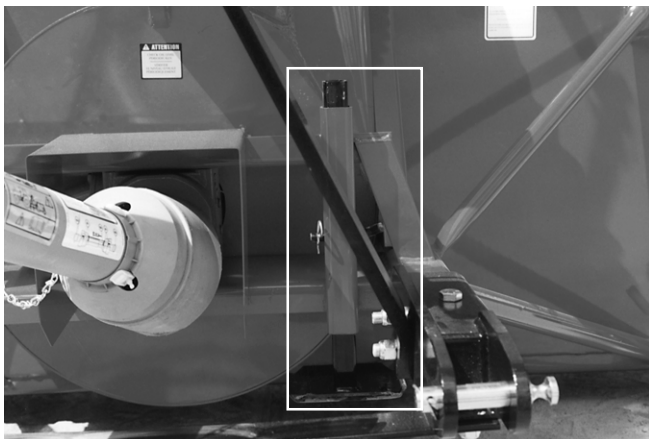


Figure 28



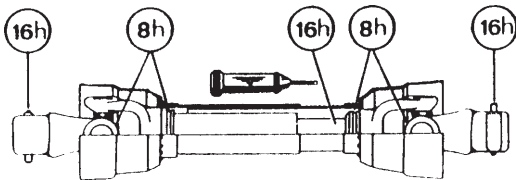
Figure 29

START-UP PROCEDURES

- 1) Check oil level in gearbox. Use S.A.E. W90 gear box oil.
- 2) Lubricate all points with a good quality multipurpose grease.
- 3) Check chain take-up adjustment. The spring maintaining the tension must be compressed to a length between 2 3/4" and 3 1/2".
- 4) Verify for adequate tightness of all fastening devices. Refer to torque chart on page 50.
- 5) Adjust skid shoes according to ground conditions (Fig. 27).
- 6) Following the installation of the Snowblower on the tractor, **do not forget** to lift the storage support (Fig. 28).
- 7) Make sure of a 540 RPM input to your snowblower.
- 8) Check impeller adjustment. The tip of the blades should be approximately 1/8" to 3/16" from the discharge wall of the drum. If necessary, adjust with the take-up screws provided (Fig. 29).

MAINTENANCE

- 1) Wipe off all grease fittings with a clean cloth before adding grease in order to avoid injecting dirt and sand.
- 2) Repair or replace damaged grease fittings.
- 3) Lubricate all grease fittings every 10 hours of operation.
- 4) Oil drive chain every 8 hours of operation.
- 5) Lubricate P.T.O. shaft as indicated below:



Pull out the P.T.O. And lubricate between the two tubes with low temperature grease.

- 6) Check oil level in gear box once a month. If necessary add oil.
- 7) Check tension of drive chain every 25 hours of operation and adjust if necessary.
- 8) Check for tightness of bearing collars every 50 hours of operation.
- 9) Change gearbox oil once a year. Use gear box oil S.A.E. W90 rated API, class GL-5.
- 10) Check all nuts and bolts once a year. If necessary use torque chart on page 50.
- 11) Standard scraper blades are reversible. Reverse when one edge is worn out.
- 12) Always use Grade 5 shear bolts.

STORAGE

- 1) Store the Snowblower in a cool, dry place.
- 2) Support the Snowblower with wooden blocks.
- 3) Keep all piston rods in the retracted position. This will assure better protection against the elements.
- 4) Clean your Snowblower.
- 5) Thoroughly inspect all parts of the Snowblower. Replace or repair worn or defective parts.
- 6) Touch-up or repaint if necessary.
- 7) Lubricate all points before storage.

TROUBLESHOOTING

P.T.O. SHAFT

PROBLEM	POSSIBLE CAUSE	CORRECTION
<ul style="list-style-type: none"> - Premature wear of U-joints and/ or bluish color of cross journals. 	<ul style="list-style-type: none"> - Insufficient lubrication. - Excessive working angle. - Poor quality lubricant. 	<ul style="list-style-type: none"> - Follow lubrication recommendations. - Replace defective U-joints. - Make sure the Snowblower inlet face is perpendicular to the ground and if possible readjust 3-point hitch in order to position the Snowblower further away from tractor. - Use high quality lubricant.
<ul style="list-style-type: none"> - Gripping or premature wear of telescoping members. 	<ul style="list-style-type: none"> - Too much sliding under load. - Tube overlap too-short: minimum recommended is 6". - Insufficient lubrication. - Contaminants (sand, etc.). 	<ul style="list-style-type: none"> - Avoid raising Snowblower while in operation. - Readjust 3-point hitch in order to position the Snowblower closer to the tractor. - Follow lubrication recommendations. - Replace defective telescopic members.
<ul style="list-style-type: none"> - Damaged or jammed locking pin or bolt. 	<ul style="list-style-type: none"> - Pin or orifice contaminated by sand, ice, etc. - Telescoping members too long, exerting pressure on locking device. 	<ul style="list-style-type: none"> - Clean and grease. - Readjust 3-point hitch in order to position the Snowblower further away from tractor or shorten tubes.
<ul style="list-style-type: none"> - Premature wear of guard tube bearing ring. 	<ul style="list-style-type: none"> - Lack of lubrication. - Wrong installation of guard chain. - Part of the guard in contact with the equipment. 	<ul style="list-style-type: none"> - Follow lubrication instructions. - Adjust chain to prevent interference between guard & equipment. - Replace worn or damaged bearing rings.
<ul style="list-style-type: none"> - Cut or deformed safety guard tubes. 	<ul style="list-style-type: none"> - Tubes in contact with the equipment. 	<ul style="list-style-type: none"> - Eliminate any interference between tubes and equipment or tractor. - Replace damaged tubes.

TROUBLESHOOTING (cont'd)

SNOWBLOWER

PROBLEM	POSSIBLE CAUSE	CORRECTION
- The snow is not being thrown as far as usual.	- Tractor RPM too low. - Gap too wide between impeller blade tip and drum outlet wall. - Insufficient tractor HP.	- Raise P.T.O. speed to a minimum of 540 RPM. - Adjust impeller blades closer to drum outlet (1/8" to 3/16"). - Reduce travel speed.
- Frequent plugging of discharge chute.	- Tractor RPM too low. - Tractor RPM reduced too early with snow still in the Snowblower. - Slippage of PTO clutch mechanism. - Wet snow condition.	- Raise P.T.O. speed to a minimum of 540 RPM. - Make sure the Snowblower is completely empty before reducing RPM, especially on tractors with foot controlled RPM. - Repare clutch. - Reduce travel speed.
- The impeller will not turn.	- Shear bolt broken on drive shaft.	- Replace shear bolt.
- The auger will not turn.	- Shear bolt broken on drive shaft. - Shear bolt broken on auger drive shaft. - Broken drive chain.	- Replace shear bolt. - Replace shear bolt. - Fix or replace chain.
- The rotating drum will not turn.	- Ice accumulation. - Wrong hydraulic connections.	- Remove ice. - Check hydraulic connections.
- The chute will not turn.	- Ice accumulation. - Wrong hydraulic connections.	- Remove ice. - Check hydraulic connections.

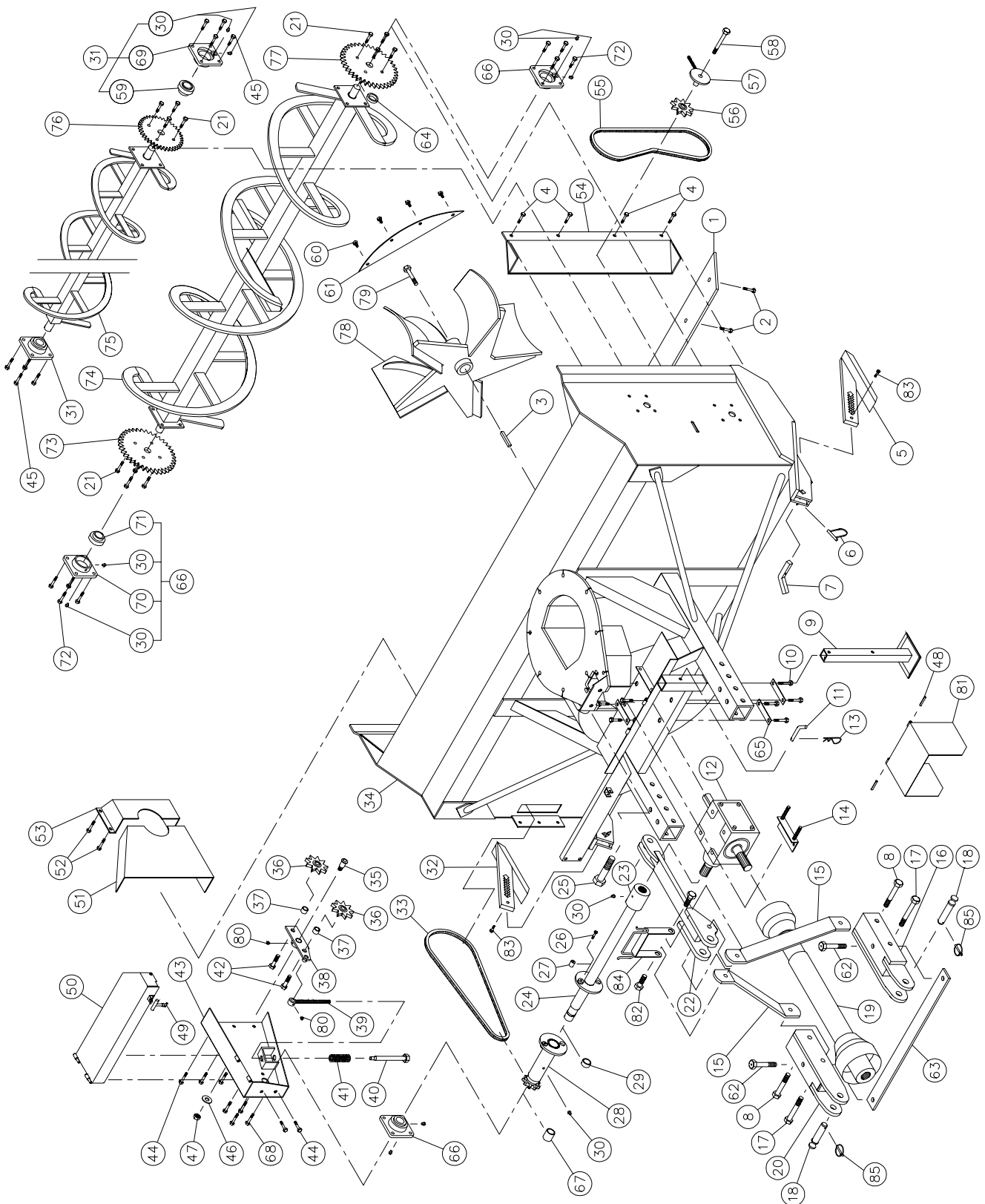
SPECIFICATIONS

Snowblower model		P-992	P-992 TRC	P-980	P-980 TRC	P-1040	P-1040 TRC
Horse power recommended (HP) min - max		75-125	75-125	100-150	100-150	100-150	100-150
Working width	(inches)	92"	92"	98"	98"	104"	104"
	(centimeters)	234	234	249	249	264	264
Cutting height	(inches)	44"	44"	48"	48"	48"	48"
	(centimeters)	112	112	122	122	122	122
Impeller diameter	(inches)	30"	30"	34"	34"	34"	34"
	(centimeters)	76	76	86	86	86	86
Depth of drum	(inches)	15"	15"	15"	15"	15"	15"
	(centimeters)	38.1	38.1	38.1	38.1	38.1	38.1
Impeller blades		5	5	6	6	6	6
Size of impeller shaft	(inches)	2"	2"	2"	2"	2"	2"
	(centimeters)	5.08	5.08	5.08	5.08	5.08	5.08
Height - Impeller center	(inches)	19½"	19½"	21½"	21½"	21½"	21½"
	(centimeters)	49.5	49.5	54.6	54.6	54.6	54.6
Impeller RPM		540	540	540	540	540	540
Number of augers		1	1	1	1	1	1
Main auger diameter	(inches)	23"	23"	26"	26"	26"	26"
	(centimeters)	58	58	66	66	66	66
Upper auger 13" (33 cm) diameter		Opt.	Opt.	Opt.	Opt.	Opt.	Opt.
Drivechain - Main auger		80	80	100	100	100	100
Oil bath sealed gear box		Std.	Std.	Std.	Std.	Std.	Std.
chute rotation mechanism Hyd. motor		Std.	Std.	Std.	Std.	Std.	Std.
Number of shear bolts		2	2	2	2	2	2
Hitch category		2	2	2	2	2	2
Balanced impeller		Std.	Std.	Std.	Std.	Std.	Std.
Balanced auger		Std.	Std.	Std.	Std.	Std.	Std.
Drum rotation mechanism	Hyd. cylinder	-	-	-	-	-	-
	Hyd. motor	-	Std.	-	Std.	-	Std.
1000 to 540 RPM reducer		Opt.	Opt.	Opt.	Opt.	Opt.	Opt.
Scraper blades	Std. steel - not rev.	-	-	-	-	-	-
	Std. steel - rever.	Std.	Std.	Std.	Std.	Std.	Std.
	Carbon steel 3/8" x 2½"	-	-	-	-	-	-
	Carbon steel 1/2" x 4"	Opt.	Opt.	Opt.	Opt.	Opt.	Opt.
	Carbon steel 1/2" x 6"	Opt.	Opt.	Opt.	Opt.	Opt.	Opt.
Skid shoes	Standard steel	Std.	Std.	Std.	Std.	Std.	Std.
	CHT-360 steel	Opt.	Opt.	Opt.	Opt.	Opt.	Opt.
Full flight auger (industrial)		Opt.	Opt.	Opt.	Opt.	Opt.	Opt.
Semi-industrial chute		Opt.	Opt.	Opt.	Opt.	Opt.	Opt.
Industrial chute		Opt.	Opt.	Opt.	Opt.	Opt.	Opt.
24" (61 cm) or 48" (122 cm) chute extension		Opt.	Opt.	Opt.	Opt.	Opt.	Opt.
Hydraulic telescopic industrial chute		Opt.	Opt.	Opt.	Opt.	Opt.	Opt.
Deflector manual or hydraulic		Avail.	Avail.	Avail.	Avail.	Avail.	Avail.
Bearing / ductile iron casting		Std.	Std.	Std.	Std.	Std.	Std.
Lateral blades		Opt.	Opt.	Opt.	Opt.	Opt.	Opt.
P.T.O. (standard)		No. 8	No. 8	No. 8	No. 8	No. 8	No. 8
P.T.O. (optional)		No. 9	No. 9	No.9	No. 9	No. 9	No. 9
Weight (approx.)	(lbs)	1970	2135	2038	2250	2058	2270
	(kg)	895	970	926	1023	935	1032

Specifications subject to change without notice.

SNOWBLOWER P-992

170-02565



10

SNOWBLOWER P-992 (cont'd)

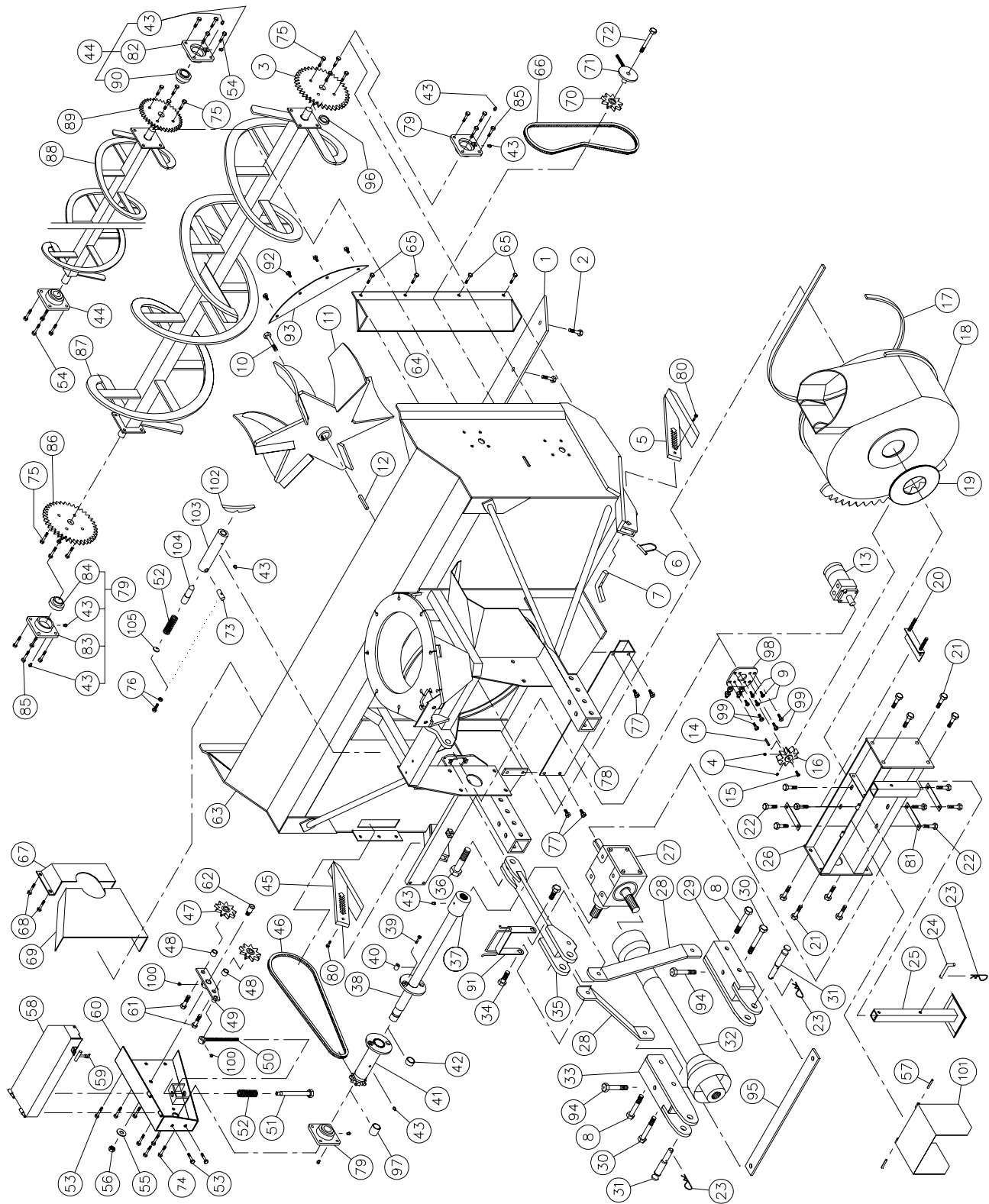
REF.	PART #	DESCRIPTION	QTY
1	140-00811	Reversible scraper blade 3/8" x 4" x 84 1/2" lg	1
2	319-38325	Plow bolt 7/16" NC x 1 3/4" lg + nut & lock washer	9
3	9285	Square key 1/2" x 1/2" x 4" lg	1
4	301-38280	4 Bolts 7/16" NC x 1 1/4" lg + 4 nylon locknut	opt.
5	110-04531	Skid shoe (right side)	1
6	8112	Lock pin 1/4"	2
7	140-03361	Skid shoes lock	2
8	302-46580	Bolt 3/4" NF x 6" lg + nylon locknut	2
9	9462	Storage support	1
10	300-44280	Bolt 5/8" NC x 1 1/4" lg + lock washer	8
11	8220	Storage support pin	1
12	9307	Gear box T-279	1
13	Std.	Hitch pin clip 5/32"	1
14	9428	Adjustment plate for gear box + 4 nuts 1/2" NC	1
15	140-05492	3-point side bar	2
16	110-15214	Right lower hitch	1
17	302-46610	Bolt 3/4" NF x 6 1/2" lg + nylon locknut	2
18	9269	Pin category 2	2
19	9225-EG	P.T.O. shaft T80	1
19	9475	P.T.O. shaft T90	opt.
20	110-15213	Left lower hitch	1
21	301-38310	Bolt 7/16" NC x 1 1/2" lg + two-way locknut	12
22	110-15421	Upper hitch	1
23	6467	Splined adaptor 1 3/4" - 20 (welded)	1
24	110-18251	Auger drive shaft 34 1/8" lg overall (includes no. 23 and 27)	1
25	300-54490	Bolt 1 1/4" NC x 4 1/2" lg + nylon locknut	1
26	300-34340	Bolt 5/16" NC x 2" lg grade 5 + nylon locknut	1
27	150-03911	Bushing 5/16" i.d. x 1" o.d. x 3/4" lg (welded)	2
28	110-18241	Sprocket 80B10 + shearplate	1
29	160-06901	Brass bushing 1 3/4" i.d. x 2" o.d. x 1/2" lg	1
30	Std.	Grease fitting 1/4"-28 straight	12
31	UCFD207-20	Bearing 1 1/4" + flange & 2 grease fitting (straight)	2
32	110-04521	Skid shoe (left side)	1
33	190-01451	Chain # 80 x 85" lg (85 links)	1
33	26A80	Connecting link no. 80	1
33	59-80	Offset link no. 80	1
34	120-02674	Frame P-992	1
35	150-00332	Idler clevis pin	1
36	9287	Idler sprocket # 80	2
37	160-06511	Spacer 3/4" i.d. x 1 1/4" o.d. x 3/4" lg	2
38	110-01052	Idler	1
39	110-01063	Threaded rod for idler adjustment + nut 7/16" NC	1
40	110-01071	Threaded tube for idler adjustment	1
41	9473	Compression spring	1
42	300-46370	Bolt 3/4" NC x 2 1/2" lg + nylon locknut	2
43	110-01604	Chain guard	1
44	300-38250	Bolt 7/16" NC x 1" lg + nylon locknut	5
45	300-38310	Bolt 7/16" NC x 1 1/2" lg + nylon locknut	8
46	376-44000	Flat washer 5/8"	1
47	346-45000	Nylon locknut 5/8" NC (thin)	1
48	Std.	Roll pin 5/16" x 2" lg	2
49	8125	Rubber fastener	1
50	110-21001	Chain guard cover	1
51	130-01382	Inside guard (welded)	1
52	301-36250	Bolt 3/8" NC x 1" lg + nylon locknut & flat washer	4
53	8925	Inside guard (bolted)	1
54	8135	Chain guard for upper auger	opt.
55	190-01471	Chain # 60 x 66 3/4" lg (89 links)	opt.

SNOWBLOWER P-992 (cont'd)

REF.	PART #	DESCRIPTION	QTY
55	26A60	Connecting link no. 60	opt.
55	59-60	Offset link no. 60	opt.
56	8186	Idler sprocket #60 (steel)	opt.
57	9406	Idler for upper auger (hole 1/2") + 2 nuts 1/2" NC	opt.
58	301-40400	Bolt 1/2" NC x 3 1/2" lg + nylon locknut & flat washer	opt.
59	UC207-20	Bearing 1 1/4"	2
60	301-38280	Bolt 7/16" NC x 1 1/4" lg + nylon locknut	4
61	130-02111	Deflector	1
62	302-46550	Bolt 3/4" NF x 5 1/2" lg + nylon locknut	2
63	140-03431	3-point hitch reinforcement	1
64	160-03991	Spacer 1 1/2" i.d. x 2" o.d. x 7/16" lg (only for models without the upper auger)	1
65	160-10761	Back plate	3
66	UCFD208-24	Bearing 1 1/2" + flange & 2 grease fittings (straight)	3
67	160-07311	Bushing 1 1/2" i.d. x 1 7/8" o.d. x 1 1/4" lg	1
68	301-40310	Bolt 1/2" NC x 1 1/2" lg + nylon locknut (thin)	4
69	FD207	Flang for 2 grease fitting	2
70	FD208	Flange for 2 grease fitting	3
71	UC208-24	Bearing 1 1/2"	3
72	302-40325	Bolt 1/2" NC x 1 3/4" lg + nylon locknut	8
73	9281	Sprocket 80A30 T 1 1/2" ø	1
74	9318	Lower auger P-992 (TRC)	1
75	9335	Upper auger P-992 (TRC)	opt.
76	8144	Sprocket 60A30 T 1 1/4" ø	opt.
77	9326	Sprocket 60A38 T 1 1/2" ø	opt.
78	110-01612	Impeller 30" ø - 5 blades	1
79	8228	Impeller cap screw 5/8" NC x 1 1/2" lg (assembled with locktite 242) + lock washer	1
80	Std.	Grease fitting 1/4"-28 90 deg.	2
81	110-12541	Hinged P.T.O. shroud	1
82	300-46400	Bolt 3/4" NC x 3" lg + flat washer 1 1/2" o.d. + nylon locknut	2
83	300-32310	Bolt 1/4" NC x 1 1/2" lg + nylon locknut	2
84	110-15201	Hoses support	1
85	Std.	Lynch pin 1/4" X 1 3/4"	2

SNOWBLOWER P-992TRC

170-02595



SNOWBLOWER P-992TRC (cont'd)

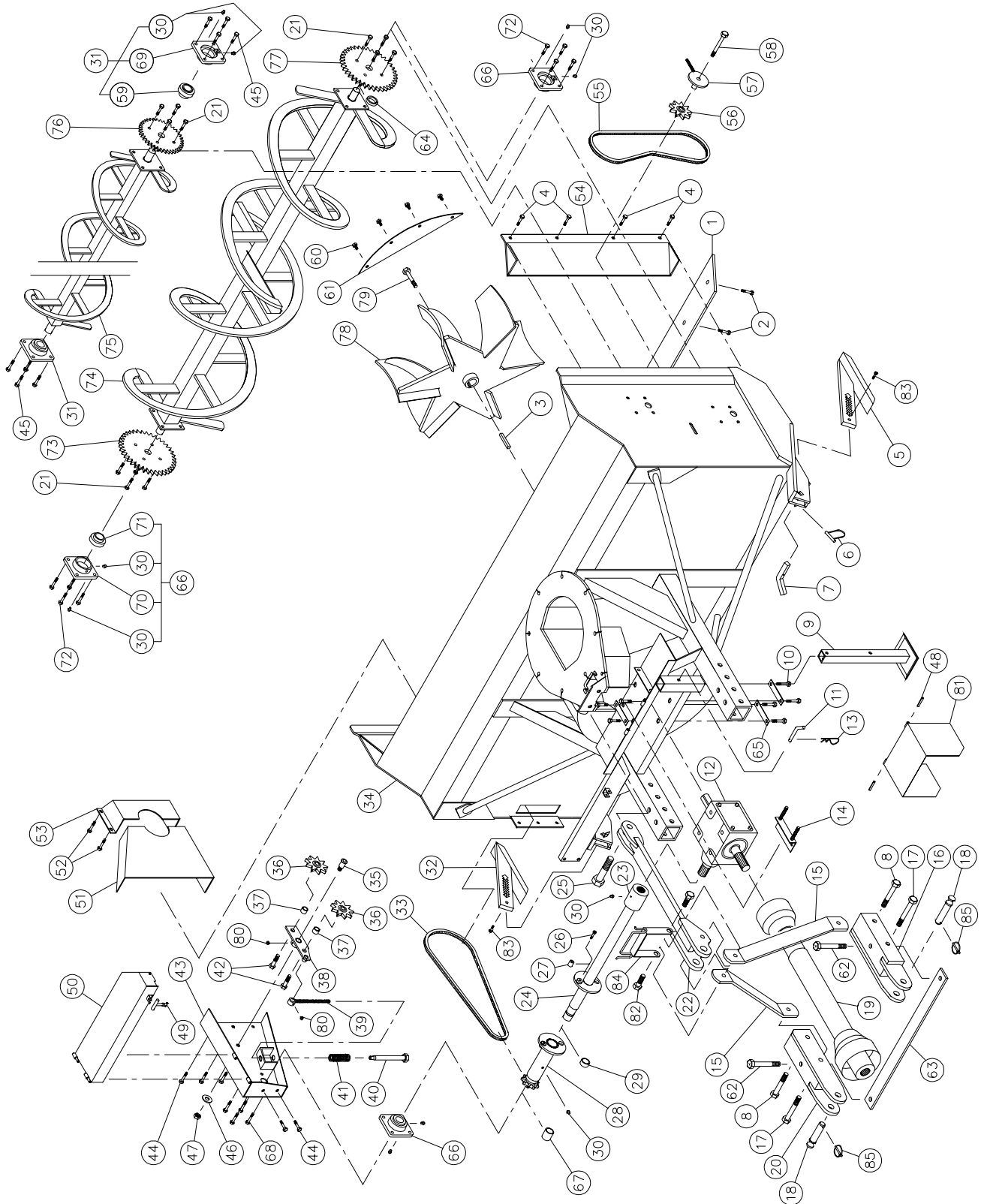
REF.	PART #	DESCRIPTION	QTY
1	140-00811	Reversible scraper blade 3/8" x 4" x 84 1/2" lg	1
2	319-38325	Plow bolt 7/16" NC x 1 3/4" lg + nut & lock washer	9
3	9326	Sprocket 60A38 T 1 1/2" ø	opt.
4	323-36160	Hexagonal socket set screw 3/8" NC x 3/8" lg	2
5	110-04531	Skid shoe (right side)	1
6	8112	Lock pin 1/4"	2
7	140-03361	Skid shoes lock	2
8	302-46580	Bolt 3/4" NF x 6" lg + nylon locknut	2
9	301-36250	Bolt 3/8" NC x 1" lg + lock washer	4
10	8228	Impeller cap screw 5/8" NC x 1 1/2" lg (assembled with locktite 242) + lock washer	1
11	110-01612	Impeller 30" ø 5 blades	1
12	9285	Square key 1/2" x 1/2" x 4" lg	1
13	- - -	Hydraulic motor	opt.
14	- - -	Key (as motor requirement)	opt.
15	301-32220	Bolt 1/4" NC x 3/4" lg + lock washer	1
16	110-04721	Sprocket (9 teeth)	1
17	9435	U-shaped UHMW 3/8" x 7/8" x 97" lg	1
18	110-12842	Rotary drum 30" ø	1
19	9432	UHMW flat washer 3/16" x 8 5/8" i.d. x 11 1/2" o.d.	1
20	9428	Adjustment plate for gear box + 4 nuts 1/2" NC	1
21	301-46340	Bolt 3/4" NC x 2" lg + nylon locknut	8
22	300-44280	Bolt 5/8" NC x 1 1/4" lg + lock washer	8
23	Std.	Hitch pin clip 5/32"	3
24	8220	Storage support pin	1
25	9462	Storage support	1
26	9437	Gear box support	1
27	9307	Gear box T-279	1
28	140-05472	3-point side bar	2
29	110-15214	Right lower hitch	1
30	302-46610	Bolt 3/4" NF x 6 1/2" lg + nylon locknut	2
31	9269	Pin category 2	2
32	9225-EG	P.T.O. shaft T80	1
32	9475	P.T.O. shaft T90	opt.
33	110-15213	Left lower hitch	1
34	300-46400	Bolt 3/4" NC x 3" lg + flat washer 1 1/2" o.d. + nylon locknut	2
35	110-15531	Upper hitch	1
36	300-54490	Bolt 1 1/4" NC x 4 1/2" lg + nylon locknut	1
37	6467	Splined adaptor 1 3/4" - 20 (welded)	1
38	110-18251	Auger drive shaft 34 1/8" lg overall (including no. 37 & 40)	1
39	300-34340	Bolt 5/16" NC x 2" lg grade 5 + nylon locknut	1
40	150-03911	Bushing 5/16" i.d. x 1" o.d. x 3/4" lg (welded)	2
41	110-18241	Sprocket 80B10 + shearplate	1
42	160-06901	Brass bushing 1 3/4" i.d. x 2" o.d. x 1/2" lg	1
43	Std.	Grease fitting 1/4"-28 straight	13
44	UCFD207-20	Bearing 1 1/4" + flange & 2 grease fitting (straight)	2
45	110-04521	Skid shoe (left side)	1
46	190-01451	Chain #80 x 85" lg (85 links)	1
46	26A80	Connecting link no. 80	1
46	59-80	Offset link no. 80	1
47	9287	Idler sprocket #80	2
48	160-06511	Spacer 3/4" i.d. x 1 1/4" o.d. x 3/4" lg	2
49	110-01052	Idler	1
50	110-01063	Threaded rod for idler adjustment + nut 7/16" NC	1
51	110-01071	Threaded tube for idler adjustment	1
52	9473	Compression spring	2
53	300-38250	Bolt 7/16" NC x 1" lg + nylon locknut	5
54	300-38310	Bolt 7/16" NC x 1 1/2" lg + nylon locknut	8
55	376-44000	Flat washer 5/8"	1
56	346-45000	Nylon locknut 5/8" NC (thin)	1
57	Std.	Roll pin 5/16" x 2" lg	2
58	110-21011	Chain guard cover	1

SNOWBLOWER P-992TRC (cont'd)

REF.	PART #	DESCRIPTION	QTY
59	8125	Rubber fastener	1
60	110-01604	Chain guard.....	1
61	300-46370	Bolt 3/4" NC x 2 1/2" lg + nylon locknut	2
62	150-00332	Idler clevis pin	1
63	120-02733	Frame P-992TRC	1
64	8135	Chain guard for upper auger	opt.
65	300-38280	4 Bolts 7/16" NC x 1 1/4" lg + 4 nylon locknut	opt.
66	190-01471	Chain #60 x 66 3/4" lg (89 links)	opt.
66	26A60	Connecting link no. 60	opt.
66	59-60	Offset link no. 60	opt.
67	8925	Inside guard (bolted)	1
68	300-36250	Bolt 3/8" NC x 1" lg + nylon locknut & flat washer	4
69	130-01382	Inside guard (welded)	1
70	8186	Idler sprocket #60	opt.
71	9406	Idler for upper auger + 2 nuts 1/2" NC	opt.
72	300-40430	Bolt 1/2" NC x 3 1/2" lg + nylon locknut & flat washer	opt.
73	150-02561	Pin	1
74	300-40310	Bolt 1/2" NC x 1 1/2" lg + nylon locknut (thin)	4
75	300-38310	Bolt 7/16" NC x 1 1/2" lg + two-way locknut	12
76	300-38330	Bolt 7/16" NC x 1 3/4" lg + jam nut	1
77	300-40280	Bolt 1/2" NC x 1 1/4" lg + nylon locknut + flat washer	4
78	130-06561	Guard for ring gear segment	1
79	UCFD208-24	Bearing 1 1/2" + flange & 2 grease fittings (straight)	3
80	300-32310	Bolt 1/4" NC x 1 1/2" lg + nylon locknut	2
81	140-10761	Back plate	3
82	FD207	Flange for 2 grease fitting	2
83	FD208	Flange for 2 grease fitting	3
84	UC208-24	Bearing 1 1/2" UC208-24	3
85	300-40325	Bolt 1/2" NC x 1 3/4" lg + nylon locknut	8
86	9281	Sprocket 80A30 T 1 1/2" ø	1
87	9318	Lower auger P-992 (TRC)	1
88	9335	Upper auger P-992 (TRC)	opt.
89	8144	Sprocket 60A30 T 1 1/4" ø	opt.
90	UC207-20	Bearing 1 1/4" UC207-20	2
91	110-15201	Hoses support	1
92	300-38280	Bolt 7/16" NC x 1 1/4" lg + nylon locknut	4
93	130-02111	Deflector	1
94	302-46550	Bolt 3/4" NF x 5 1/2" lg + nylon locknut	2
95	140-03441	3-point hitch reinforcement	1
96	160-03991	Spacer 1 1/2" i.d. x 2" o.d. x 7/16" lg (only for models without the upper auger)	1
97	160-07311	Bushing 1 1/2" i.d. x 1 7/8" o.d. x 1 1/4" lg	1
98	110-18441	Orbit motor support + 4 nuts 7/16" NC	1
99	300-38310	Bolt 7/16" NC x 1 1/2" + nylon locknut & flat washer	4
100	Std.	Grease fitting 1/4"-28 90 deg.	2
101	110-12541	Hinged P.T.O. shroud	1
102	130-08441	Stop block for drum lock (welded on drum)	1
103	160-03952	Body - drum lock (welded on frame)	1
104	150-01542	Latch pin - drum lock	1
105	130-08471	Washer	1

SNOWBLOWER P-980 P-1040

170-02575



SNOWBLOWER P-980 P-1040 (cont'd)

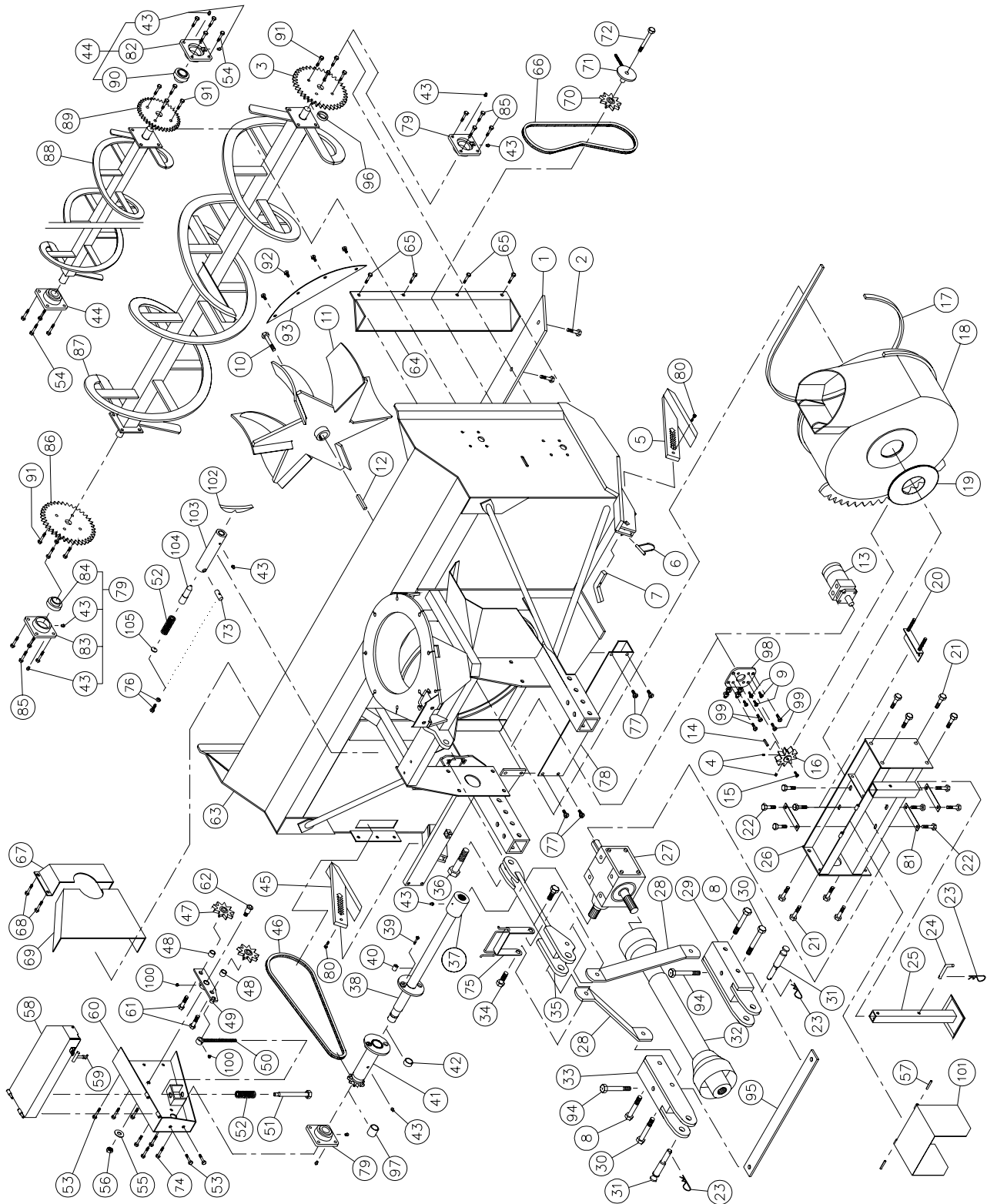
REF.	PART #	DESCRIPTION	QTY	
			P-980	P-1040
1	140-00831	Reversible scraper blade 3/8" x 4" x 90 1/2" lg	1	-
1	140-00851	Reversible scraper blade 3/8" x 4" x 96 1/2" lg	-	1
2	319-38325	Plow bolt 7/16" NC x 1 3/4" lg + nut & lock washer	9	10
3	9285	Square key 1/2" x 1/2" x 4" lg	1	1
4	300-38280	4 Bolts 7/16" NC x 1 1/4" lg + 4 nylon locknut	opt.	opt.
5	110-04531	Skid shoe (right side)	1	1
6	8112	Lock pin 1/4"	2	2
7	140-03361	Skid shoes lock	2	2
8	302-46580	Bolt 3/4" NF x 6" lg + nylon locknut	2	2
9	9462	Storage support	1	1
10	300-44280	Bolt 5/8" NC x 1 1/4" lg + lock washer	8	8
11	8220	Storage support pin	1	1
12	9307	Gear box T-279	1	1
13	Std.	Hitch pin clip 5/32"	1	1
14	9428	Adjustment plate for gear box + 4 nut 1/2" NC	1	1
15	140-05582	3-point side bar	2	2
16	110-15214	Right lower hitch	1	1
17	302-46610	Bolt 3/4" NF x 6 1/2" lg + nylon locknut	2	2
18	9269	Pin category 2	2	2
19	9225-EG	P.T.O. shaft T80	1	1
19	9475	P.T.O. shaft T90	opt.	opt.
20	110-15213	Left lower hitch	1	1
21	301-38310	Bolt 7/16" NC x 1 1/2" lg + two-way locknut	12	12
22	110-15421	Upper hitch	1	1
23	6467	Splined adaptor 1 3/4" - 20 (welded)	1	1
24	110-14381	Auger drive shaft 37 1/8" lg overall (including no. 23 & 27)	1	-
24	110-15001	Auger drive shaft 40 1/8" lg overall (including no. 23 & 27)	-	1
25	300-54490	Bolt 1 1/4" NC x 4 1/2" lg + nylon locknut	1	1
26	301-36355	Bolt 3/8" NC x 2 1/4" lg grade 5 + nylon locknut	1	1
27	150-02791	Bushing 3/8" i.d. x 1" o.d. x 3/4" lg (welded)	2	2
28	110-14571	Sprocket 100B9 + shearplate	1	1
29	160-06901	Bushing 1 3/4" i.d. x 2" o.d. x 1/2" lg	1	1
30	Std.	Grease fitting 1/4"-28 straight	12	12
31	UCFD207-20	Bearing 1 1/4" + flange & 2 grases fitting (straight)	2	2
32	110-04521	Skid shoe (left side)	1	1
33	190-01461	Chain # 100 x 88 3/4" lg (71 links)	1	1
33	26A100	Connecting link no. 100	1	1
33	59-100	Offset link no. 100	1	1
34	120-02694	Frame P-980	1	-
34	120-02714	Frame P-1040	-	1
35	150-00332	Idler clevis pin	1	1
36	9470	Idler sprocket # 100	2	2
37	160-06511	Spacer 3/4" d.i. x 1 1/4" o.d. x 3/4" lg	2	2
38	110-01052	Idler	1	1
39	110-01063	Threaded rod for idler adjustment + nut 7/16" NC	1	1
40	110-01071	Threaded tube for idler adjustment	1	1
41	9473	Compression spring	1	1
42	300-46370	Bolt 3/4" NC x 2 1/2" lg + nylon locknut	2	2
43	110-01604	Chain guard	1	1
44	300-38250	Bolt 7/16" NC x 1" lg + nylon locknut	5	5
45	300-38310	Bolt 7/16" NC x 1 1/2" lg + nylon locknut	8	8
46	376-44000	Flat washer 5/8"	1	1
47	346-45000	Nylon locknut 5/8" NC (thin)	1	1
48	Std.	Roll pin 5/16" x 2" lg	2	2
49	8125	Rubber fastener	1	1

SNOWBLOWER P-980 P-1040 (cont'd)

REF.	PART #	DESCRIPTION	QTY	
			P-980	P-1040
50	110-16512	Chain guard cover	1	-
50	110-16522	Chain guard cover	-	1
51	130-01372	Inside guard (welded)	1	1
52	300-36250	Bolt 3/8" NC x 1" lg + nylon locknut & flat washer	4	4
53	8925	Inside guard (bolted)	1	1
54	8135	Chain guard for upper auger	opt.	opt.
55	190-01481	Chain # 60 x 69 3/4" lg (93 links)	opt.	opt.
55	26A26	Connecting link # 60	opt.	opt.
55	59-60	Offset link # 60	opt.	opt.
56	8186	Idler sprocket #60	opt.	opt.
57	9406	Idler for upper auger + 2 nuts 1/2" NC	opt.	opt.
58	300-40430	Bolt 1/2" NC x 3 1/2" lg + nylon locknut & flat washer	opt.	opt.
59	UC207-20	Bearing 1 1/4"	2	2
60	300-38280	Bolt 7/16" NC x 1 1/4" lg + nylon locknut	4	4
61	130-05911	Deflector	1	1
62	302-46550	Bolt 3/4" NF x 5 1/2" lg + nylon locknut	2	2
63	140-03571	3-point hitch reinforcement	1	1
64	160-03991	Spacer 1 1/2" i.d. x 2" o.d. x 7/16" lg (only for models without the upper auger)	1	1
65	140-10761	Back plate	3	3
66	UCFD208-24	Bearing 1 1/2" + flange & 2 grease fittings (straight)	3	3
67	160-06891	Bushing 1 3/4" i.d. x 1 15/16" o.d. x 1 1/4" lg	1	1
68	300-40310	Bolt 1/2" NC x 1 1/2" lg + nylon locknut (thin)	4	4
69	FD207	Flange for 2 grease fitting	2	2
70	FD208	Flange for 2 grease fitting	3	3
71	UC208-24	Bearing 1 1/2" UC208-24	3	3
72	300-40325	Bolt 1/2" NC x 1 3/4" lg + nylon locknut	8	8
73	9471	Sprocket 100A24 T 1 1/2" ø	1	1
74	9315	Lower auger P-980 (TRC)	1	-
74	9254	Lower auger P-1040 (TRC)	-	1
75	9330	Upper auger P-980 (TRC)	opt.	-
75	9331	Upper auger P-1040 (TRC)	-	opt.
76	8144	Sprocket 60A30 T 1 1/4" ø	opt.	opt.
77	9326	Sprocket 60A38 T 1 1/2" ø	opt.	opt.
78	110-01622	Impeller 34" ø - 15" depth - 6 blades	1	1
79	8228	Impeller cap screw 5/8" NC(assembled with locktite 242) x 1 1/2" lg + lock washer	1	1
80	Std.	Grease fitting 1/4"-28 90 deg.	2	2
81	110-12541	Hinged P.T.O. shroud	1	1
82	300-46400	Bolt 3/4" NC x 3" lg + nylon locknut + flat washer 1 1/2" o.d.	2	2
83	300-32310	Bolt 1/4" NC x 1 1/2" lg + nylon locknut	2	2
84	110-15201	Hoses support	1	1
85	Std.	Lynch pin 1/4" x 1 3/4"	2	2

SNOWBLLOWERS P-980TRC P-1040TRC

170-02585



SNOWBLOWERS P-980TRC P-1040TRC (cont'd)

REF.	PART #	DESCRIPTION	QTY	
			P-980TRC	P-1040TRC
1	140-00831	Reversible scraper blade 3/8" x 4" x 90 1/2" lg	1	-
1	140-00851	Reversible scraper blade 3/8" x 4" x 96 1/2" lg	-	1
2	319-38325	Plow bolt 7/16" NC x 1 3/4" lg + nut & lock washer	9	10
3	9326	Sprocket 60A38 T 1 1/2" ø	opt.	opt.
4	323-36160	Hexagonal socket set screw 3/8" NC x 3/8" lg	2	2
5	110-04531	Skid shoe (right side)	1	1
6	8112	Safety square pin 3.5 mm x 84 mm	2	2
7	140-03361	Skid shoes lock	2	2
8	302-46580	Bolt 3/4" NF x 6" lg + nylon locknut	2	2
9	301-36250	Bolt 3/8" NC x 1" lg + lock washer	4	4
10	8228	Impeller cap screw 5/8" NC x 1 1/2" lg (assembled with locktite 242) + lock washer	1	1
11	110-01622	Impeller 34" ø 6 blades	1	1
12	9285	Square key 1/2" x 1/2" x 4" lg	1	1
13	- - -	Hydraulic motor	opt.	opt.
14	- - -	Key (as motor requirement)	opt.	opt.
15	301-32220	Bolt 1/4" NC x 3/4" lg + lock washer	1	1
16	110-04721	Sprocket (9 teeth)	1	1
17	9430	U-shaped UHMW 3/8" x 7/8" x 109 1/4" lg	1	1
18	110-12854	Rotary drum 34" ø	1	1
19	9432	UHMW flat washer 3/16" x 8 5/8" i.d. x 11 1/2" o.d.	1	1
20	9428	Adjustment plate for gear box + 4 nuts 1/2" NC	1	1
21	301-46340	Bolt 3/4" NC x 2" lg + nylon locknut	8	8
22	300-44280	Bolt 5/8" NC x 1 1/4" lg + lock washer	8	8
23	Std.	Hitch pin clip 5/32"	3	3
24	8220	Storage support pin	1	1
25	9462	Storage support	1	1
26	9433	Gear box support	1	1
27	9307	Gear box T-279	1	1
28	140-05592	3-point side bar	2	2
29	110-15214	Right lower hitch	1	1
30	302-46610	Bolt 3/4" NF x 6 1/2" lg + nylon locknut	2	2
31	9269	Pin category 2	2	2
32	9225-EG	P.T.O. shaft T80	1	1
32	9475	P.T.O. shaft T90	opt.	opt.
33	110-15213	Left lower hitch	1	1
34	301-46400	Bolt 3/4" NC x 3" lg + nylon locknut + flat washer 1 1/2" o.d.	2	2
35	110-15531	Upper hitch	1	1
36	300-54490	Bolt 1 1/4" NC x 4 1/2" lg + nylon locknut	1	1
37	6467	Splined adaptor 1 3/4" - 20 (welded)	1	1
38	110-14381	Auger drive shaft 37 1/8" lg overall (including no. 37 & 40)	1	-
38	110-15001	Auger drive shaft 40 1/8" lg overall (including no. 37 & 40)	-	1
39	301-36355	Bolt 3/8" NC x 2 1/4" lg grade 5 + nylon locknut	1	1
40	150-02791	Bushing 3/8" i.d. x 1" o.d. x 3/4" lg (welded)	2	2
41	110-14571	Sprocket 100B9 + shearplate	1	1
42	160-06901	Brass bushing 1 3/4" i.d. x 2" o.d. x 1/2" lg	1	1
43	Std.	Grease fitting 1/4"-28 straight	13	13
44	UCFD207-20	Bearing 1 1/4" + flange + 2 grease fitting (straight)	2	2
45	110-04521	Skid shoe (left side)	1	1
46	190-01461	Chain #100 x 88 3/4" lg (71 links)	1	1
46	26A100	Connecting link no. 100	1	1
46	59-100	Offset link no. 100	1	1
47	9470	Idler sprocket #100	2	2

SNOWBLOWERS P-980TRC P-1040TRC (cont'd)

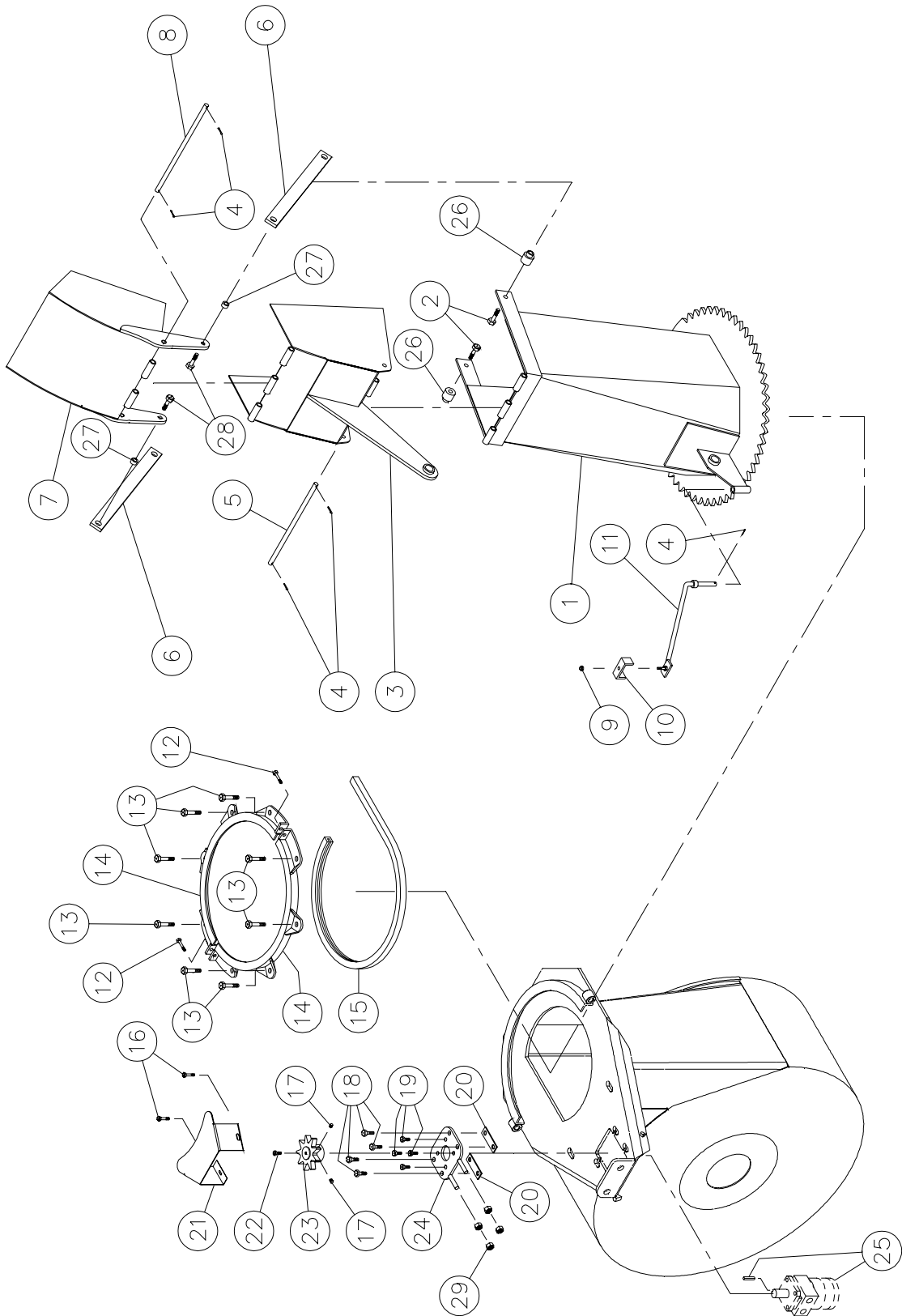
REF.	PART #	DESCRIPTION	QTY	
			P-980TRC	P-1040TRC
48	160-06511	Spacer 3/4" i.d. x 1 1/4" o.d. x 3/4" lg	2	2
49	110-01052	Idler	1	1
50	110-01063	Threaded rod for idler adjustment + nut 7/16" NC	1	1
51	110-01071	Threaded tube for idler adjustment	1	1
52	9473	Compression spring	2	2
53	300-38250	Bolt 7/16" NC x 1" lg + nylon locknut	5	5
54	300-38310	Bolt 7/16" NC x 1 1/2" lg + nylon locknut	8	8
55	376-44000	Flat washer 5/8"	1	1
56	346-45000	Nylon locknut 5/8" NC (thin)	1	1
57	Std.	Roll pin 5/16" x 2" lg	2	2
58	110-15472	Chain guard cover	1	-
58	110-15492	Chain guard cover	-	1
59	8125	Rubber fastener	1	1
60	110-01604	Chain guard	1	1
61	300-46370	Bolt 3/4" NC x 2 1/2" lg + nylon locknut	2	2
62	150-00332	Idler clevis pin	1	1
63	120-02754	Frame P-980TRC	1	-
63	120-02774	Frame P-1040TRC	-	1
64	8135	Chain guard for upper auger	opt.	opt.
65	300-38280	4 Bolts 7/16" NC x 1 1/4" lg + 4 nylon locknuts	opt.	opt.
66	190-01481	Chain #60 x 69 3/4" lg (93 mailles)	opt.	opt.
66	26A60	Connecting link no. 60	opt.	opt.
66	59-60	Offset link no. 60	opt.	opt.
67	8925	Inside guard (bolted)	1	1
68	300-36250	Bolt 3/8" NC x 1" + nylon locknut & flat washer	4	4
69	130-01372	Inside guard (welded)	1	1
70	8186	Idler sprocket #60	opt.	opt.
71	9406	Idler for upper auger chain (hole 1/2") + 2 nuts 1/2" NC	opt.	opt.
72	300-40430	Bolt 1/2" NC x 3 1/2" lg + nylon locknut & flat washer	opt.	opt.
73	150-02561	Pin	1	1
74	300-40310	Bolt 1/2" NC x 1 1/2" lg + nylon locknut (thin)	4	4
75	110-15201	Hoses support	1	1
76	300-38330	Bolt 7/16" NC x 1 3/4" lg + jam nut	1	1
77	300-40280	Bolt 1/2" NC x 1 1/4" lg + nylon locknut & flat washer	4	4
78	130-06571	Guard for ring gear segment	1	1
79	UCFD208-24	Bearing 1 1/2" + flange & 2 grease fittings (straight)	3	3
80	300-32310	Bolt 1/4" NC x 1 1/2" lg + nylon locknut	2	2
81	140-10761	Back plate	3	3
82	FD207	Flange F-207 for 2 grease fitting	2	2
83	FD208	Flange F208 for 2 grease fitting	3	3
84	UC208-24	Bearing 1 1/2" UC208-24	3	3
85	300-40325	Bolt 1/2" NC x 3/4" lg + nylon locknut	8	8
86	9471	Sprocket 100A24 T 1 1/2" ø	1	1
87	9315	Lower auger P-980 (TRC)	1	-
87	9254	Lower auger P-1040 (TRC)	-	1
88	9330	Upper auger P-980 (TRC)	opt.	-
88	9331	Upper auger P-1040 (TRC)	-	opt.
89	8144	Sprocket 60A30 T 1 1/4" ø	opt.	opt.
90	UC207-20	Bearing 1 1/4" UC207-20	2	2
91	300-38310	Bolt 7/16" NC x 2 1/2" lg + two-way locknut	12	12
92	300-38280	Bolt 7/16" NC x 1 1/4" lg + nylon locknut	4	4

SNOWBLOWERS P-980TRC P-1040TRC (cont'd)

REF.	PART #	DESCRIPTION	QTY	
			P-980TRC	P-1040TRC
93	130-05911	Deflector	1	1
94	302-46550	Bolt 3/4" NF x 5 1/2" lg + nylon locknut.....	2	2
95	140-03562	3-point hitch reinforcement	1	1
96	160-03991	Spacer 1 1/2" i.d. x 2" o.d. x 7/16" lg (only for models without the upper auger)	1	1
97	160-06891	Bushing 1 3/4" i.d. x 1 15/16" o.d. x 1 1/4" lg.....	1	1
98	110-18441	Orbit motor support + 4 nut 7/16" NC.....	1	1
99	300-38310	Bolt 7/16" NC x 1 1/2" + nylon locknut & flat washer	4	4
100	Std.	Grease fitting 1/4"-28 90 deg.	2	2
101	110-12541	Hinged P.T.O. shroud	1	1
102	130-08441	Stop block for drum lock (welded on drum)	1	1
103	160-03952	Body - drum lock (welded on frame)	1	1
104	150-01542	Latch pin - drum lock	1	1
105	130-08471	Washer	1	1

SEMI-INDUSTRIAL CHUTE PSI-92104

170-02085

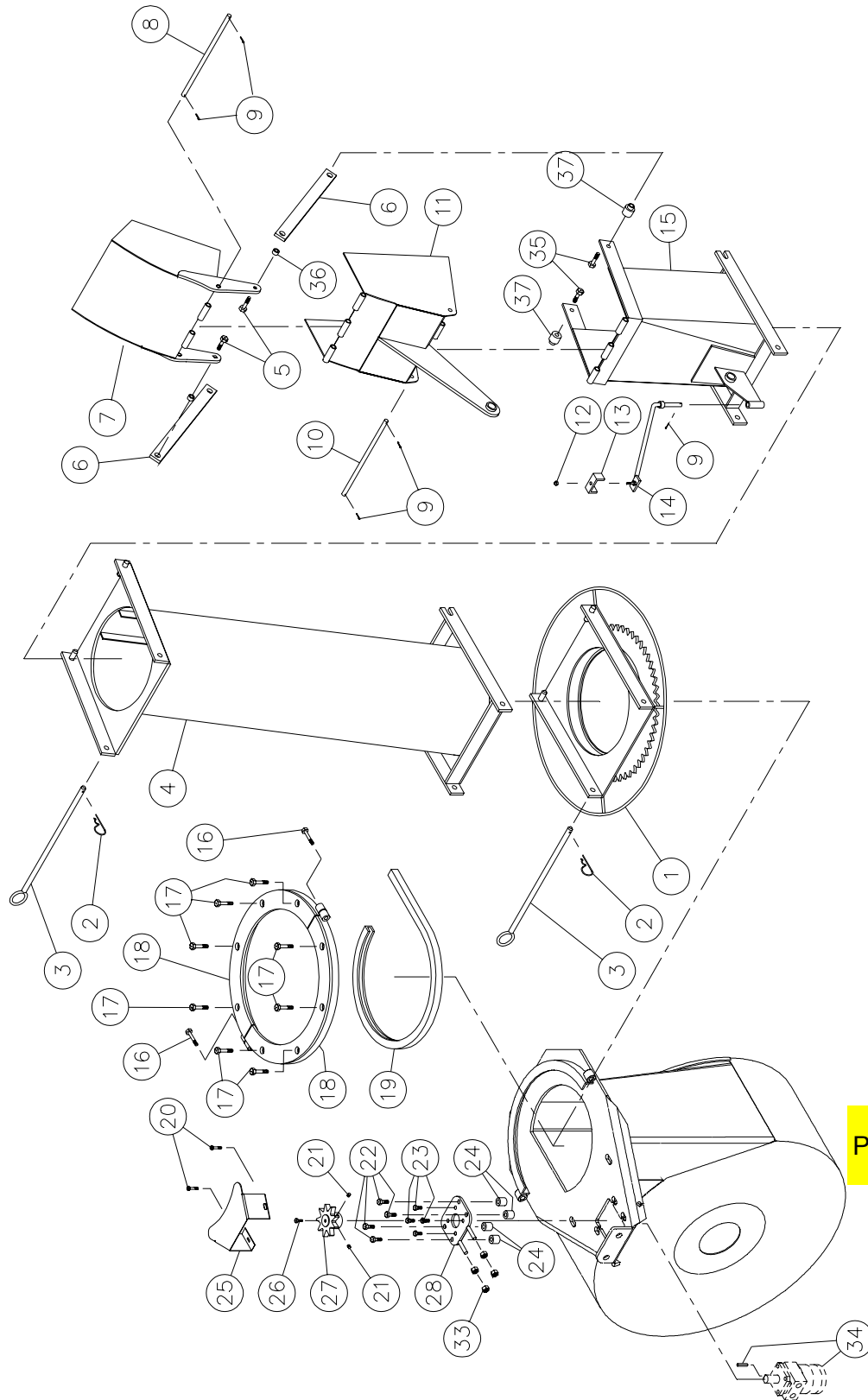


SEMI-INDUSTRIAL CHUTE PSI-92104

REF.	PART #	DESCRIPTION	QTY
1	110-01581	Chute base	1
2	300-40370	Bolt 1/2" NC x 3" lg + nylon lock nut & flat washer	4
3	110-18291	Lower chute deflector	1
4	Std.	Cotter pin 1/8" x 1" lg	5
5	5165	Lower chute deflector pin	1
6	140-11721	Connecting rod	2
7	110-18141	Upper chute deflector	1
8	5254	Upper chute deflector pin	1
9	346-34000	Nylon locknut 5/16" NC	1
10	140-00881	Hoses support plate	1
11	110-01111	Hoses support rod	1
12	300-34340	Bolt 5/16" NC x 2" lg + nylon locknut	2
13	300-40310	Bolt 1/2" NC x 1 1/2" lg + nylon locknut & flat washer	8
14	110-00832	Retaining bracket	2
15	9359	U-shaped UHMW +/- 16 1/2" d.i.	1
16	300-34280	Bolt 5/16" NC x 1 1/4" lg + nylon locknut	2
17	323-36160	Hexagonal socket set screw 3/8" NC x 3/8" lg	2
18	300-38310	Bolt 7/16" NC x 1 1/2 lg + nylon locknut & flat washer	4
19	300-36250	Bolt 3/8" NC x 1" lg + lock washer	4
20	140-09571	Spacer 1/8" x 1" x 3 1/4" lg	2
21	130-14282	Guard	1
22	300-32220	Bolt 1/4" NC x 3/4" lg + lock washer	1
23	110-04182	Sprocket (9 teeth)	1
24	110-20811	Orbit motor support	1
25	- - -	Orbit hydraulic motor	opt.
26	150-03871	Spacer for connecting rod (bottom)	2
27	150-03831	Spacer for connecting rod (top)	2
28	319-38310	Plow bolt 7/16" x 1 1/4" lg + nylon lock nut + flat washer	2
29	346-38000	Nylon locknut 7/16" NC	4

INDUSTRIAL CHUTE PC-92104

170-02095



PAS LE BON DESSIN

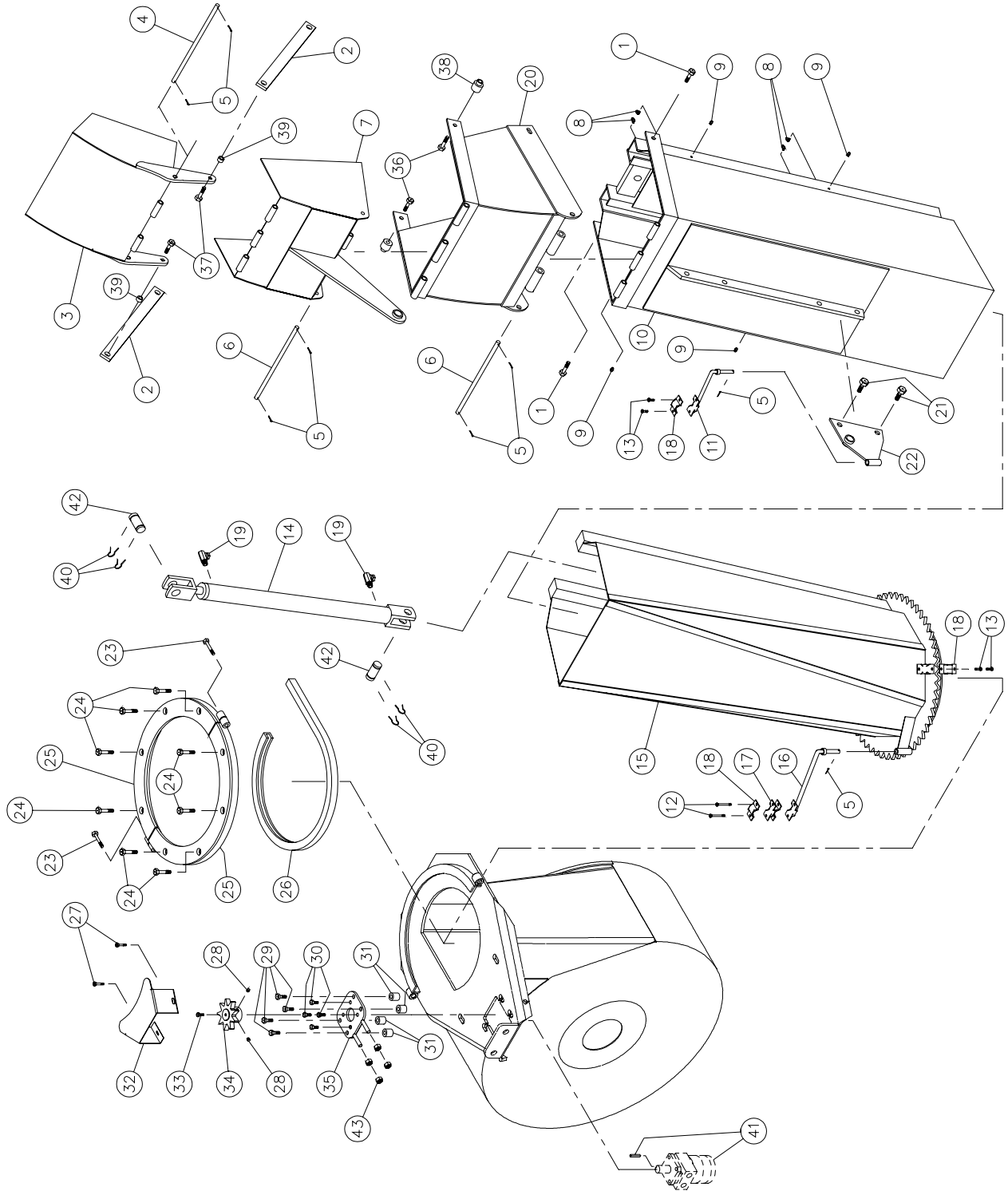
10

INDUSTRIAL CHUTE PC-92104

REF.	PART #	DESCRIPTION	QTY
1	110-00681	Chute adaptor with quick attach	1
2	Std.	Hitch pin clip 5/32"	2
3	9414	Pin for quick attach (adaptor & extension)	2
4	PR-92104-2	Extension 24"	opt.
4	PR-92104	Extension 48"	opt.
5	319-38310	Plow bolt 7/16" x 1 1/4" lg + nylon lock nut + flat washer	2
6	140-11721	Connecting rod	2
7	110-18141	Upper deflector	1
8	5254	Upper deflector pin	1
9	Std.	Cotter pin 1/8" x 1" lg	5
10	5165	Lower deflector pin	1
11	110-18291	Lower deflector	1
12	346-34000	Nylon locknut 5/16" NC	1
13	140-00881	Hoses support plate	1
14	110-01111	Hoses support rod	1
15	110-01541	Chute base	1
16	300-38400	Bolt 7/16" NC x 3" lg + nylon locknut	2
17	300-40400	Bolt 1/2" NC x 3"lg + nylon locknut & 16 flat washers	8
18	110-12351	Retaining bracket	2
19	190-03381	U-shaped UHMW +/- 16" i.d.	1
20	300-34280	Bolt 5/16" NC x 1 1/4" lg + nylon locknut	2
21	323-38310	Hexagonal socket set screw 3/8" NC x 3/8" lg	2
22	300-38370	Bolt 7/16" NC x 2 1/2" lg + nylon locknut & flat washer	4
23	300-36250	Bolt 3/8" NC x 1" lg + lock washer	4
24	160-01331	Spacer 1/2" i.d. x 1" o.d. x 59/64" lg	4
25	130-14282	Guard	1
26	300-32220	Bolt 1/4" NC x 3/4" lg + lock washer	1
27	110-04182	Sprocket (9 teeth)	1
28	130-20811	Orbit motor support	1
29	- - -	Orbit hydraulic motor	opt.
30	300-40370	Bolt 1/2" x 3" lg + nylon lock nut + flat washer	2
31	150-03831	Spacer for connecting rod (top)	2
32	150-03871	Spacer for connecting rod (bottom)	2
33	346-38000	Nylon locknut 7/16" NC	4

HYDRAULIC TELESCOPIC CHUTE PCTH-92104

170-02107

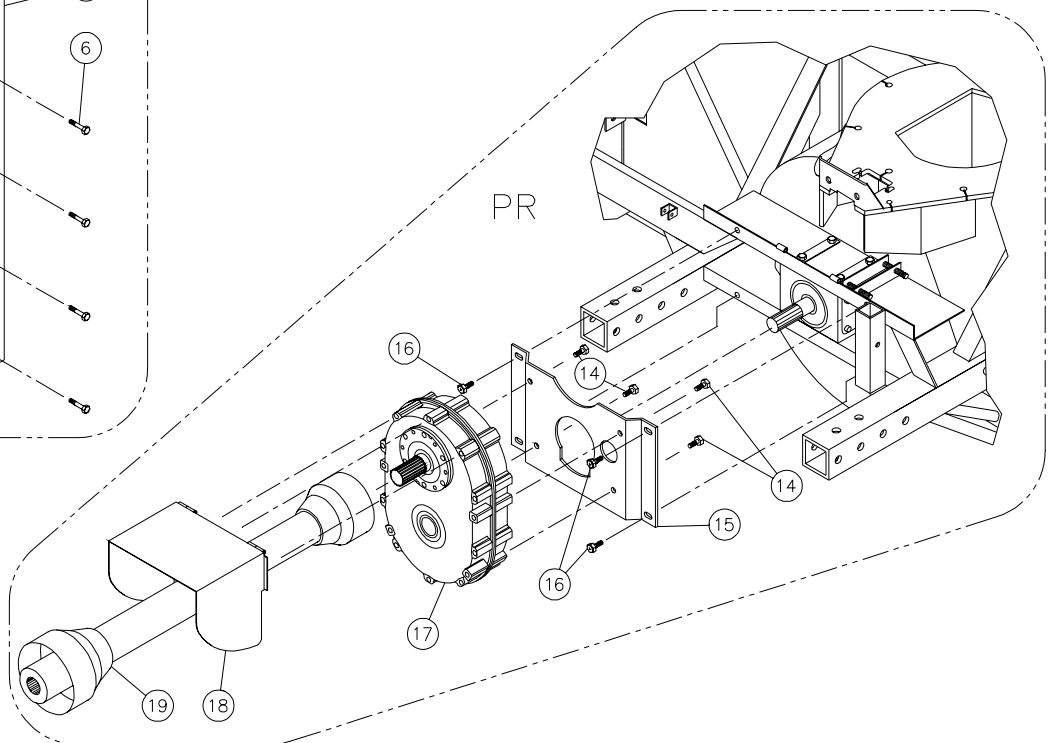
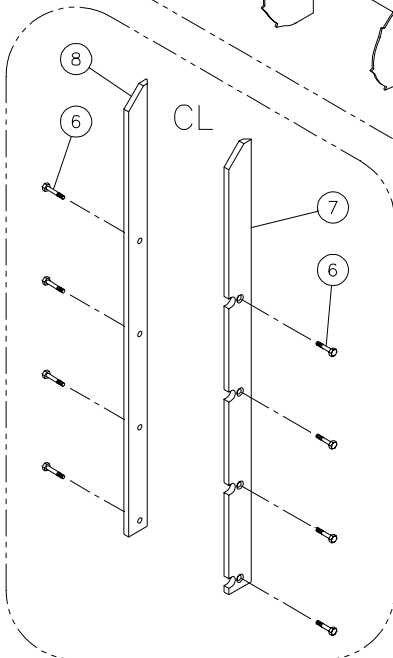
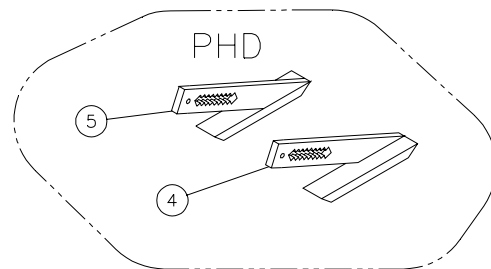
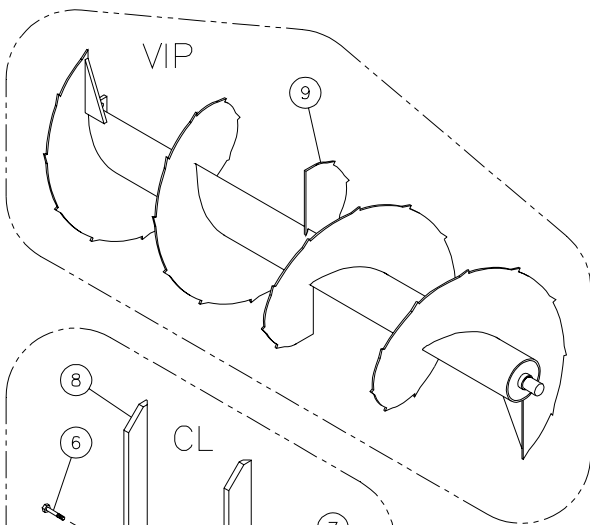
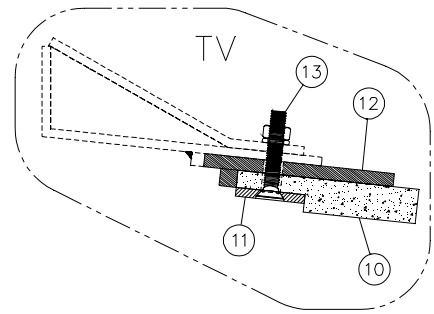
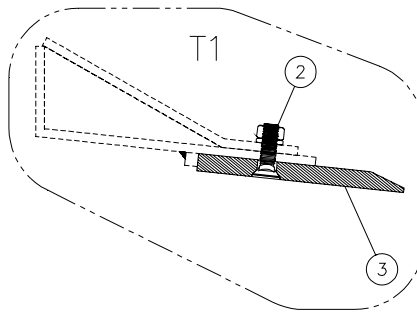
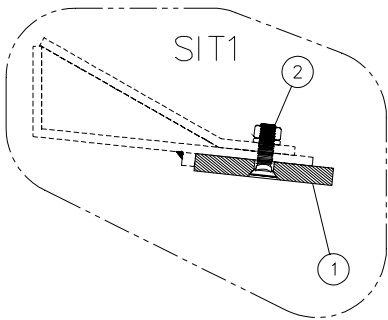


HYDRAULIC TELESCOPIC CHUTE PCTH-92104

REF.	PART #	DESCRIPTION	QTY
1	300-40310	Bolt ½" NC x 1 ½ lg + nylon locknut & flat washer	2
2	190-11721	Connecting rod	2
3	110-04952	Upper chute deflector	1
4	150-01131	Upper chute deflector pin	1
5	Std.	Cotter pin 1/8" x 1" lg	8
6	150-01141	Lower chute deflector pin	2
7	110-04961	Lower chute deflector	1
8	Std.	Grease fitting 1/4" - 28 90°	4
9	Std.	Grease fitting 1/4" - 28 straight	4
10	110-05553	Upper extension	1
11	110-01122	Mounting support plate for upper extension	1
12	300-32370	Bolt 1/4" NC x 2 1/2" lg + nylon locknut	2
13	300-32250	Bolt 1/4" NC x 1" lg + nylon locknut	4
14	20G28	Cylinder 2" x 28" stroke	1
15	110-05563	Lower extension	1
16	110-04982	Mounting support plate for lower extension	1
17	110-20611	Hoses mounting plate	1
18	140-13071	Hoses mounting plate	3
19	9405-6-6	Fitting 3/8" NPT 90 deg. (swivel)	2
20	110-12941	Extension 16"	1
21	300-44340	Bolt 5/8" NC x 2" lg + nylon locknut	2
22	110-11931	Ajustable stanchion for deflector cylinder	1
23	300-38400	Bolt 7/16" NC x 3" lg + nylon locknut	2
24	300-40400	Bolt 1/2" NC x 3" lg + nylon locknut & 2 flat washers	8
25	110-12351	Retaining bracket	2
26	190-03381	U-shaped UHMW +/- 16" i.d.	1
27	300-34280	Bolt 5/16" NC x 1 1/4" lg + nylon locknut	2
28	323-36160	Hexagonal socket set screw 3/8" NC x 3/8" lg	2
29	300-38370	Bolt 7/16" NC x 2 1/2" lg + nylon locknut & flat washer	4
30	300-36250	Bolt 3/8" NC x 1" lg + lock washer	4
31	160-01331	Spacer 1/2" i.d. x 1" o.d. x 59/64" lg	4
32	130-14282	Guard	1
33	300-32220	Bolt 1/4" NC x 3/4" lg + lock washer	1
34	110-04182	Sprocket (9 teeth)	1
35	130-20811	Orbit motor support	1
36	300-40370	Bolt 1/2" NC x 3" lg + nylon locknut	2
37	319-39310	Plow bolt 7/16" x 1 1/4" lg + nylon lock nut + flat washer	2
38	150-03871	Spacer for connecting rod (bottom)	2
39	150-03831	Spacer for connecting rod (top)	2
40	Std.	Hair pin 7/8"	4
41	- - -	Orbit hydraulic motor	opt.
42	6005-1	Pin 1" x 3 1/8" lg	2
43	346-38000	Nylon locknut	4

OPTIONS

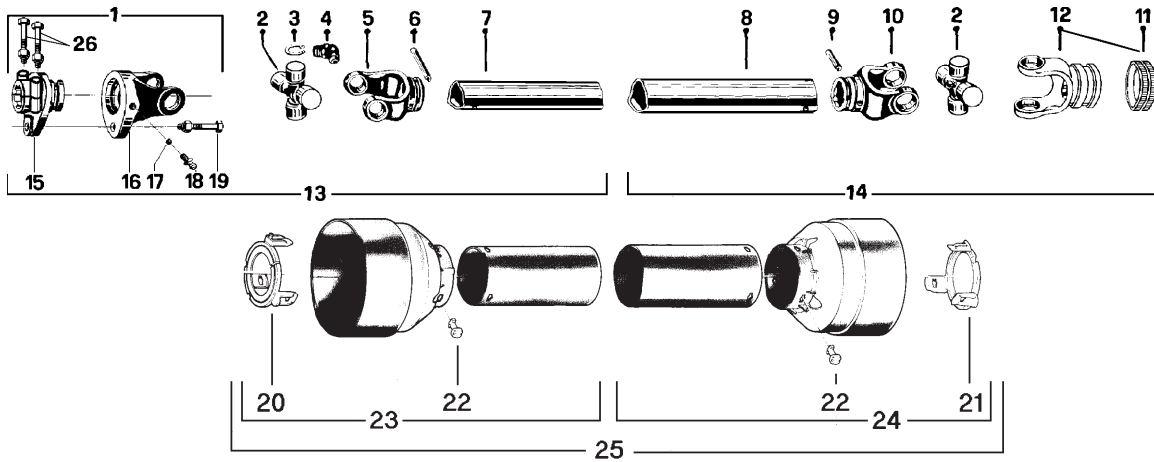
170-02115



OPTIONS

REF.	PART #	DESCRIPTION	P-992	P-992 TRC	P-980	P-980 TRC	P-1040	P-1040 TRC
1	140-04081	Scraper blade (hardened steel, not sharpened, reversible) 1/2" x 4" x 84½"	1	1	-	-	-	-
1	140-04091	Scraper blade (hardened steel, not sharpened, reversible) 1/2" x 4" x 90½"	-	-	1	1	-	-
1	140-04101	Scraper blade (hardened steel, not sharpened, reversible) 1/2" x 4" x 96½"	-	-	-	-	1	1
2	319-38325	Plow bolt 7/16" NC x 1¾" lg + nut & lock washer	9	9	9	9	10	10
3	140-04141	Scraper blade (hardened steel, sharpened, not reversible) 1/2" x 6" x 84½"	1	1	-	-	-	-
3	140-04151	Scraper blade (hardened steel, sharpened, not reversible) 1/2" x 6" x 90½"	-	-	1	1	-	-
3	140-04161	Scraper blade (hardened steel, sharpened, not reversible) 1/2" x 6" x 96½"	-	-	-	-	1	1
4	110-05511	Carbon steel skid shoe (right side)	1	1	1	1	1	1
5	110-04811	Carbon steel skid shoe (right side)	1	1	1	1	1	1
6	319-38310	Plow bolt 7/16" NC x 1½" lg + nut & lock washer	8	8	8	8	8	8
7	130-08301	Lateral blade (right side)	1	1	-	-	-	-
7	130-08311	Lateral blade (right side)	-	-	1	1	1	1
8	130-08302	Lateral blade (left side)	1	1	-	-	-	-
8	130-08312	Lateral blade (left side)	-	-	1	1	1	1
9	9425	Full flight spiked auger 23" ø for P-992 (TRC)	1	1	-	-	-	-
9	9426	Full flight spiked auger 26" ø for P-980 (TRC)	-	-	1	1	-	-
9	9427	Full flight spiked auger 26" ø for P-1040(TRC)	-	-	-	-	1	1
10	190-01331	Scraper blade, TIVAR not reversible 1" x 5 1/4" x 84 1/2"	1	1	-	-	-	-
10	190-01321	Scraper blade, TIVAR not reversible 1" x 5 1/4" x 90 1/2"	-	-	1	1	-	-
10	190-01341	Scraper blade, TIVAR not reversible 1" x 5 1/4" x 96 1/2"	-	-	-	-	1	1
11	140-03991	TIVAR blade bolting plate 1/4" x 2" x 84 1/2"	1	1	-	-	-	-
11	140-03981	TIVAR blade bolting plate 1/4" x 2" x 90 1/2"	-	-	1	1	-	-
11	140-04001	TIVAR blade bolting plate 1/4" x 2" x 96 1/2"	-	-	-	-	1	1
12	110-10391	TIVAR blade holder 3/8" x 5 1/2" x 84 1/2"	1	1	-	-	-	-
12	110-10381	TIVAR blade holder 3/8" x 5 1/2" x 90 1/2"	-	-	1	1	-	-
12	110-10401	TIVAR blade holder 3/8" x 5 1/2" x 96 1/2"	-	-	-	-	1	1
13	319-38370	Plow bolt 7/16" NC x 2 1/2" lg + nut & locknut	9	9	9	9	10	10
14	300-40200	Bolt 1/2" NC x 3/4" lg + nut & lock washer	4	4	4	4	4	4
15	130-19521	Mounting plate for speed reducer1000@540 3- chains	1	1	1	1	1	1
15	130-30531	Mounting plate for speed reducer1000@540 5- chains	1	1	1	1	1	1
15	110-19611	Mounting plate for speed reducer1000@540 3- gears	1	1	1	1	1	1
16	300-40310	Bolt1/2"NC x 1 1/2" lg + nylon locknut & flat washer (x)	4	4	4	4	4	4
17	9575	Speed reducer 1000@540 3- chains	1	1	1	1	1	1
17	9609	Speed reducer 1000@540 5-chains	1	1	1	1	1	1
17	9621	Speed reducer 1000@540 3-gears	1	1	1	1	1	1
18	110-12961	Hinger P.T.O. shroud 1000@540	1	1	1	1	1	1
19	9569	P.T.O. T80, QD 1 3/8" -21, SBI 1 3/4"-20	1	1	1	1	1	1
19	9569-1	P.T.O. T80, QD 1 3/4" -20, SBI 1 3/4"-20	1	1	1	1	1	1
19	9475-1	P.T.O. T90, QD 1 3/8"-21, SBI 1 3/4"-20	1	1	1	1	1	1
19	9475-2	P.T.O. T90, QD 1 3/4"-20, SBI 1 3/4"-20	1	1	1	1	1	1

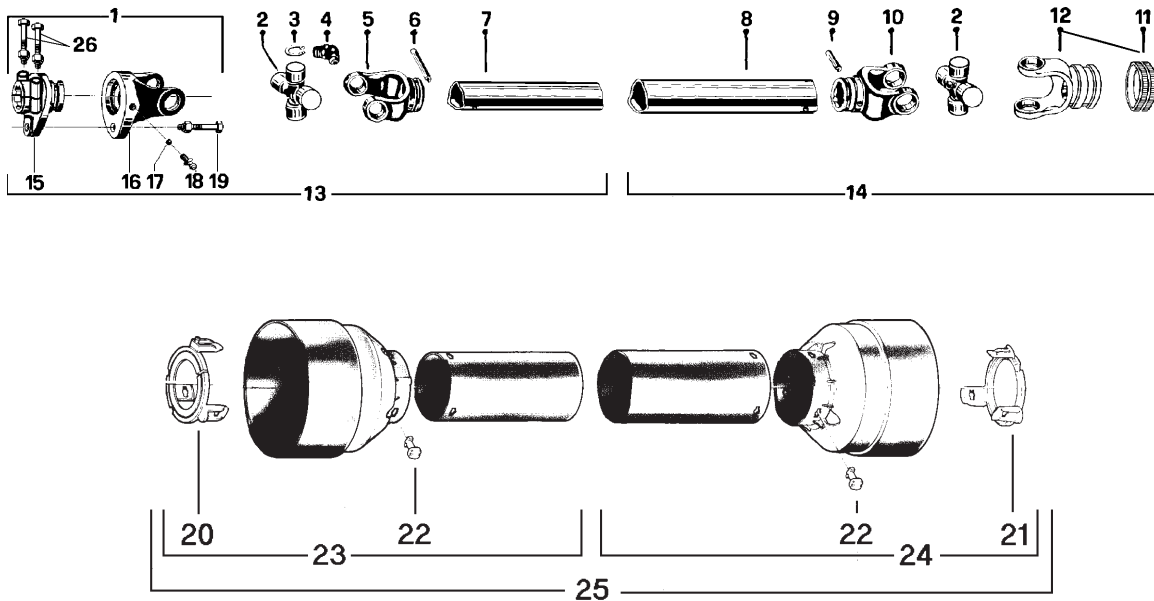
P.T.O. SHAFT # 9225-EG & 9569 (T80)



REF.	PART #	DESCRIPTION	QTY
			9225-EG
			9569
or [1	9570	Safety shear yoke M10 (2 bolts) 1 3/4" - 20 splines	1
1	9453	Safety shear yoke M12 (2 bolts) 1 3/4" - 20 splines	1
2	9208	U-joint + 4 retaining rings + 1 grease fitting	2
3	9454	Retaining ring	8
4	8110	Grease fitting	2
5	9214	Yoke for inner tube	1
6	8075	Stopper for inner tube	1
7	9212	Inner tube	1
8	9211	Outer tube	1
9	9210-E	Stopper for outer tube	1
10	9209	Yoke for outer tube	1
11	8363	Collar kit	1
11	8364	Collar kit	-opt.
12	9455	Yoke with hole 1 3/8"-6 splines + yoke stopper	1
12	9463	Yoke with hole 1 3/8"-21 splines + yoke stopper	- 1
12	9224	Yoke with hole 1 3/4"-20 splines + yoke stopper	-opt.
13	9456	P.T.O. section, SBI 1 3/4"-20, inner part, without protector	1
14	9457	P.T.O. section, QD 1 3/8"-6, outer part, without protector	1
14	9457-2	P.T.O. section, QD 1 3/8"-21, outer part, without protector	- 1
or [15	9458	Adaptor 1 3/4"-20 splines (2 bolts) (hole 12 mm)	1
15	9571	Adaptor 1 3/4"-20 splines (2 bolts) (hole 10 mm)	- 1
or [16	9204	Yoke and shearplate (hole 12 mm)	1
16	9572	Yoke and shearplate (hole 10 mm)	- 1
17	9205	Ball	17
18	8071	Grease fitting	1
19	9207	Safety shear bolt M12 x 65 mm	1
or [19	9207-375	Safety shear bolt M12 x 65 mm diam. 3/8"	- 1
19	8218	Safety shear bolt M10 x 60 mm	- 1
20	9459	Bearing ring for inner guard tube	1
21	9460	Bearing ring for outer guard tube	1
22	8109	Stopper	6
23	9221	Inner shield	1
24	9220	Outer shield	1
25	9222	Complete shield	1
26	9461	Bolt M12 x 90mm + lock nut	2

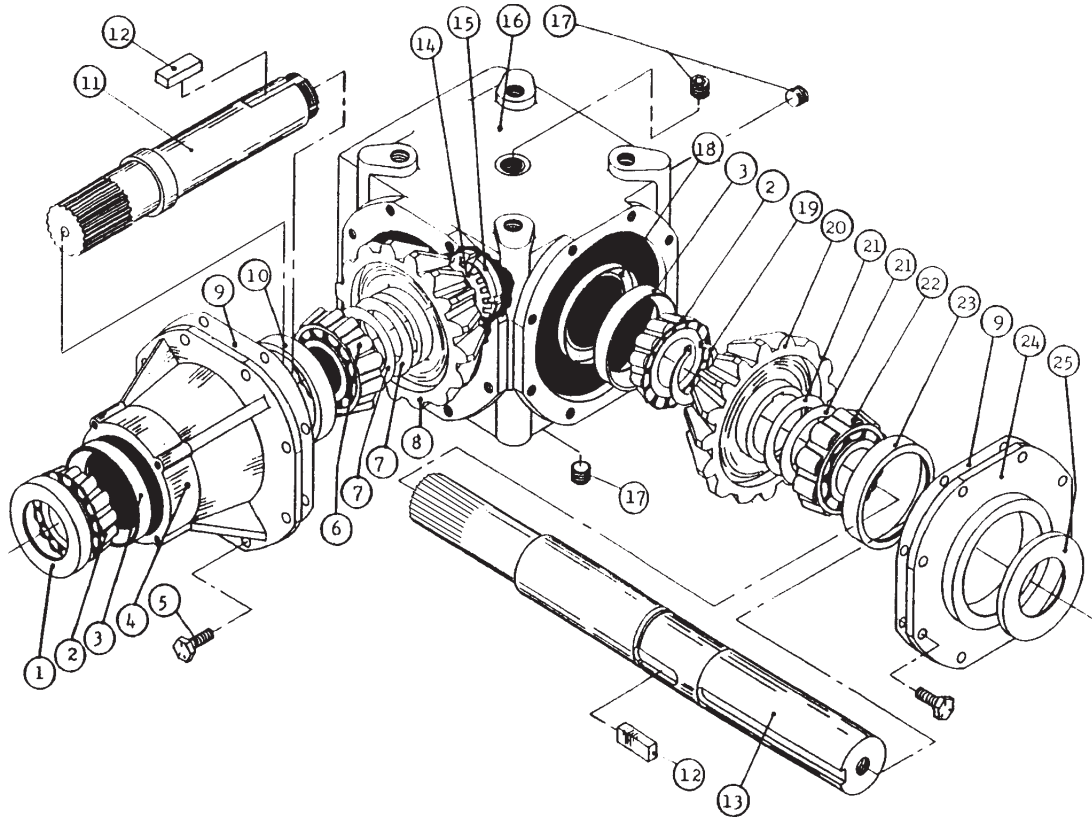
10

P.T.O. SHAFT # 9475, 9475-1 & 9475-2 (T90)



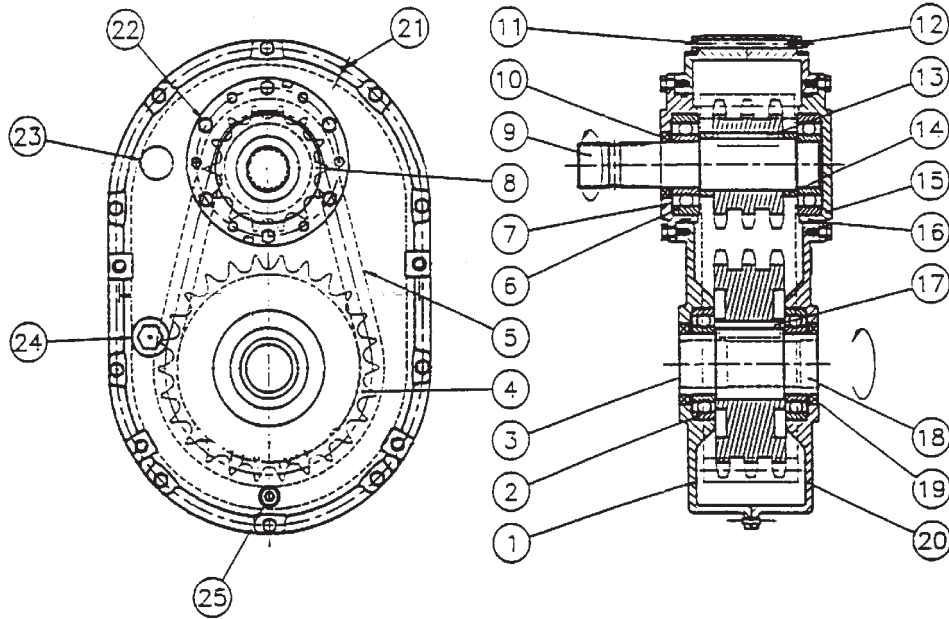
REF.	PART #	DESCRIPTION	9475	9475-1	9475-2
1	9476	Safety shear yoke (2 bolts) 1 3/4" - 20 splines	1	1	1
2	9477	U-joint + 4 retaining rings + 1 grease fitting	2	2	2
3	9478	Retaining ring	8	8	8
4	8110	Grease fitting	2	2	2
5	9479	Yoke for inner tube	1	1	1
6	9210	Stopper for tube	1	1	1
7	9212	Inner tube	1	1	1
8	9211	Outer tube	1	1	1
9	9210	Stopper for tube	1	1	1
10	9480	Yoke for outer tube	1	1	1
11	8363	Collar kit	1	1	-
11	8364	Collar kit	-	-	1
12	9481	Yoke with hole 1 3/8"-6 splines + yoke stopper	1	-	-
12	9482	Yoke with hole 1 3/8"-21 splines + yoke stopper	-	1	-
12	9483	Yoke with hole 1 3/4"-20 splines + yoke stopper	-	-	1
13	9484	P.T.O. section, SBI 1 3/4"-20, inner part, without protector	1	1	1
14	9485	P.T.O. section, QD 1 3/8"-6, outer part, without protector	1	-	-
14	9485-1	P.T.O. section, QD 1 3/8"-21, outer part, without protector	-	1	-
14	9485-2	P.T.O. section, QD 1 3/4"-20, outer part, without protector	-	-	1
15	9486	Adaptor 1 3/4"-20 splines (2 bolts)	1	1	1
16	9487	Yoke and shearplate	1	1	1
17	9205	Ball	24	24	24
18	8071	Grease fitting	1	1	1
19	9207	Safety shear bolt M12 x 65mm	1	-	-
19	9207-375	Safety shear bolt M12 x 65mm diam 3/8"	-	1	1
20	9459	Bearing ring for inner guard tube	1	1	1
21	9460	Bearing ring for outer guard tube	1	1	1
22	8109	Stopper	6	6	6
23	9221	Inner shield	1	1	1
24	9220	Outer shield	1	1	1
25	9222	Complete shield	1	1	1
26	8222	Bolt M12 x 70mm + lock nut	2	2	2

GEAR BOX # 9307 (T279)



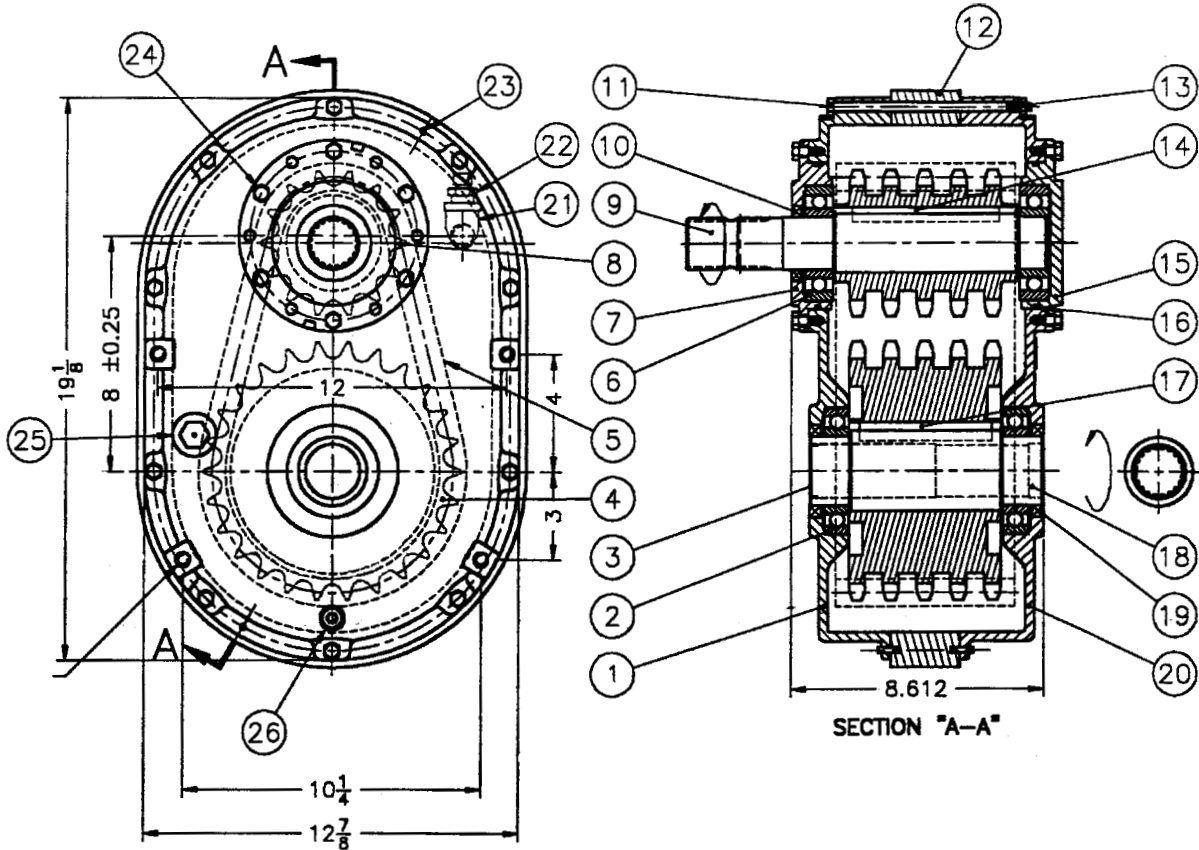
REF.	PART #	DESCRIPTION	QTY
1	6314	Oil seal 52 x 85 x 10	1
2	6315	Bearing 30209: cone	2
3	6317	Bearing 30209: cup	2
4	6318	Extension	1
5	6319	Bolt M10 x 22	16
6	6320	Bearing 32209: cone	1
7	6321	Shim	2
8	6322	Gear Z21	1
9	6323	Gasket	2
10	6324	Bearing 32209: cup	1
11	6325	Side shaft Z20 (1 3/4" - 20 splines)	1
12	6326	Key B14 x 9 x 40	2
13	9345	Impeller shaft (2" & 1 3/4" - 20 splines)	1
14	6328	Spring washer	1
15	6329	Lock nut M40 x 1.5 H9	1
16	6330	Casing	1
17	6331	Plug 3/8" gas	3
18	6332	Dust excluder 45 x 72 x 8	1
19	6333	External circlip 50 UNI7435	1
20	6334	Gear Z21	1
21	6335	Shim	2
22	6336	Bearing 30210: cone	1
23	6337	Bearing 30210: cup	1
24	6338	Cover	1
25	6339	Oil seal 50 x 72 x 8	1
2 + 3	6411	Roller bearing no. 30209	2
6 + 10	6410	Roller bearing no. 32209	1
22 + 23	6412	Roller bearing no. 30210	1

REDUCTION GEAR BOX # 9575 - 150 HP



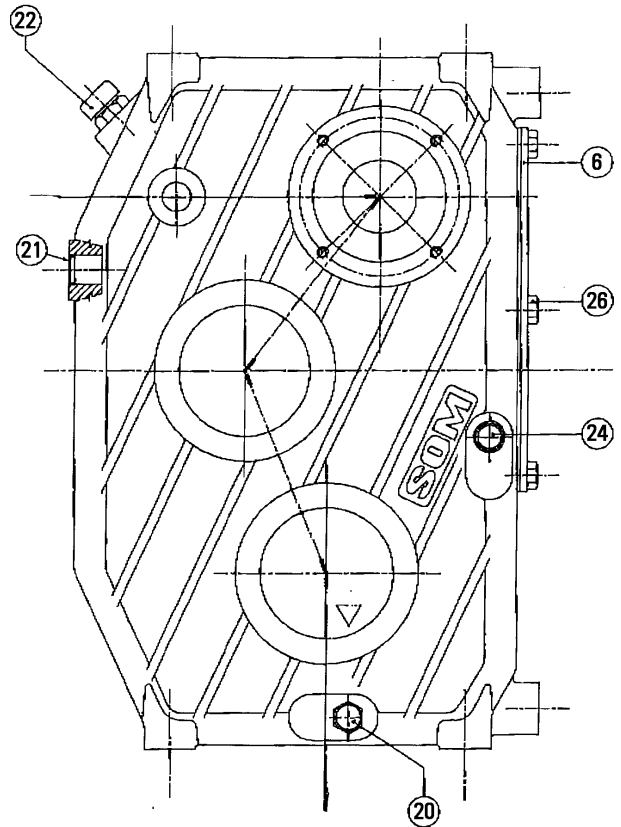
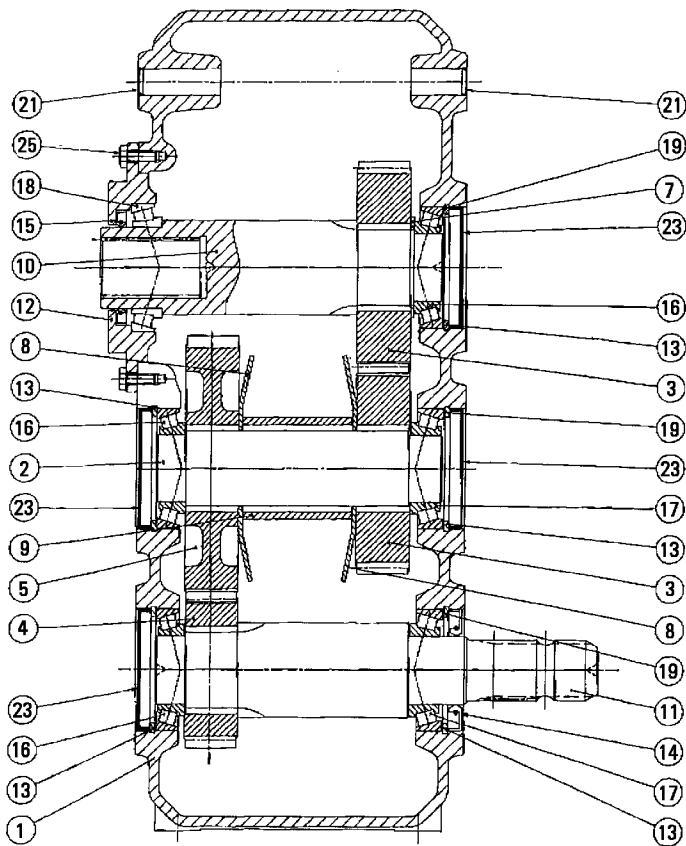
REF.	PART #	DESCRIPTION	QTY
1	9546	Casing with plug	1
2	6212-RS	Bearing 6212	2
3	9547	Seal cover (47 x 7)	1
4	9548	Sprocket 80-3A26	1
5	9549	Chain 80-3 x 36" lg	1
6	6309-RS	Bearing 6309	2
7	9550	Input cover with hole	1
8	9551	Sprocket 80-3A14	1
9	9552	Input shaft 1 3/4"-20 splines	1
10	9553	Oil seal (45x65x8) TC double lips	1
11	300-34490	Bolt 5/16" NC x 4 1/2" lg	10
12	336-34000	Nut 5/16" NC	10
13	9554	Square key 1/2" x 2 1/2"	1
14	9555	Spacer (2 - 2 3/8 - 0.568)	2
15	9556	Input cover w/o hole	1
16	9557	O-ring AS-248	2
17	9558	Square key 5/8" x 2 1/2"	1
18	9559	Output shaft 1 3/4"-20 splines	1
19	9560	Oil seal (60 x80x10) TC double lips	2
20	9561	Casing w/o plug	1
21	9562	Slotted spring pin 3/16" x 3/4"	2
22	300-30220	Bolt 3/16" NC x 3/4" lg	12
23	9563	Air vent 1/2" NPT	1
24	9564	Sight glass 3/4" NPT	1
25	9565	Drain plug 1/2" NPT	1

REDUCTION GEAR BOX # 9609 - 180 HP



REF.	PART #	DESCRIPTION	QTY
1	9546	Casing with plug	1
2	6212-RS	Bearing 6212	2
3	9547	Seal cover (47 x 7)	1
4	9610	Sprocket 80-5A26	1
5	9611	Chain 80-5 x 36" lg	1
6	6309-RS	Bearing 6309	2
7	9550	Input cover with hole	1
8	9612	Sprocket 80-5C14	1
9	9613	Input shaft 1 3/4"-20 splines	1
10	9553	Oil seal (45 x 65 x 8)	1
11	300-34640	Bolt 5/16"-18 UNC x 7" lg	3
12	9614	Spacer	1
13	336-34000	Nut 5/16"-8 UNC & lock washer	10
14	9615	Key 1/2" x 5	1
15	9556	Input cover w/o hole	1
16	9557	O-ring AS-248	2
17	9616	Key 5/8" x 4 1/2"	1
18	9617	Output shaft 1 3/4"-20 splines	1
19	9560	Oil seal (60 x 80 x 10) TC double lips	2
20	9561	Casing w/o plug	1
21	9618	Elbow 1/2" 90 deg.	1
22	9563	Air vent 1/2" NPT	1
23	9562	Slotted spring pin 3/16" x 3/4"	2
24	300-34220	Bolt 5/16" NC x 3/4" lg & lock washer	12
25	9564	Sight glass 3/4" NPT	1
26	9565	Drain plug 1/2" NPT	1
27	Std.	Bolt 5/16"-18 UNC x 6 3/4" lg	7

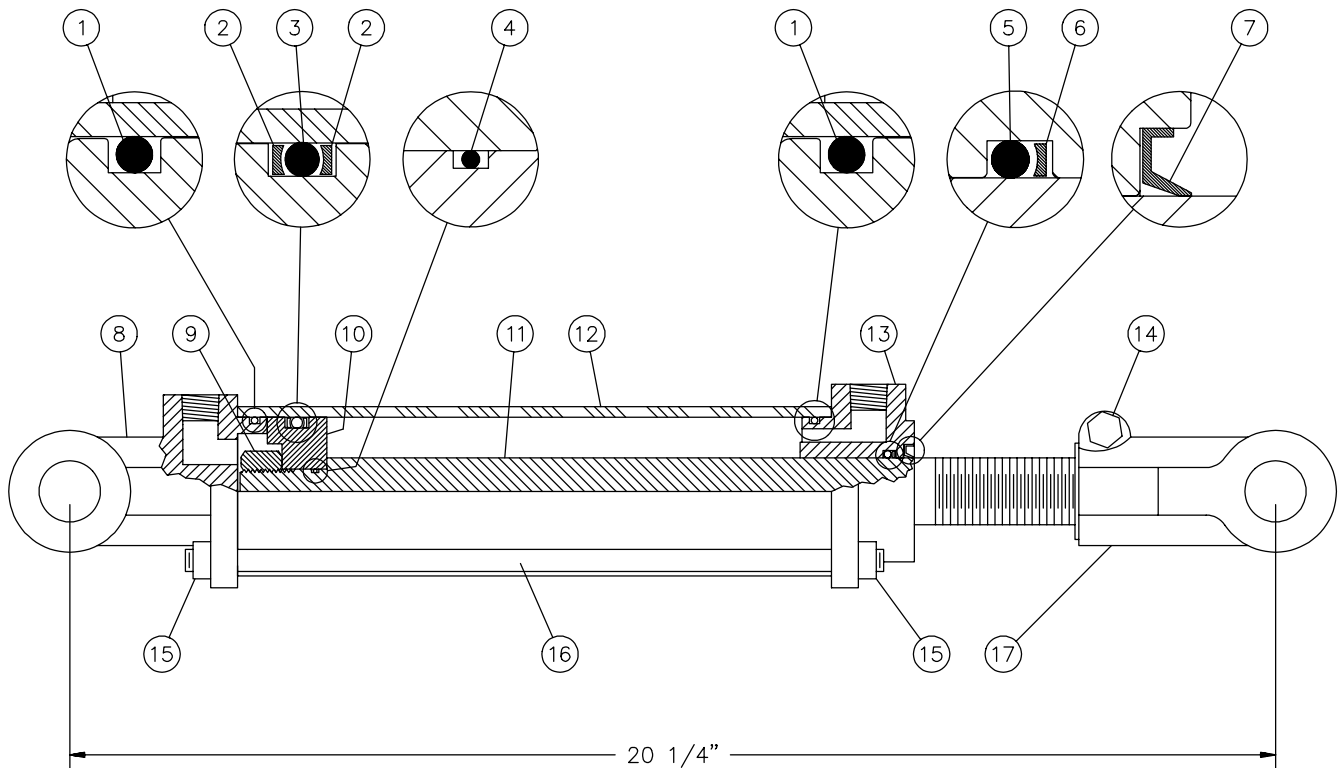
REDUCTION GEAR BOX # 9621 - 200 HP



REF.	PART #	DESCRIPTION	QTY
1	9622	Housing	1
2	9623	Shaft	1
3	9624	Ring gear	2
4	9625	Pinion	1
5	9626	Ring gear	1
6	9627	Cover	1
7	9628	Spacer	1
8	9629	Spacer	2
9	9630	Shim	1
10	9631	Output shaft	1
11	9632	Input shaft	1
12	9633	Cover	1
13	9634	Internal snap ring D.90	5
14	9635	Oil seal (50x90x10)	1
15	9636	Oil seal (60x85x8)	1
16	30210-A	Taper roller bearing	3
17	32210-A	Taper roller bearing	2
18	32012X	Taper roller bearing	1
19	9637	Shim kit	3
20	9638	Plug 3/8G	1
21	9639	Plastic plug 20x4	3
22	9640	Plug 1/2G	1
23	9641	Plastic plug 90x10	4
24	9642	Plug 3/8G	1
25	9643	Bolt M8x22	8
26	9644	Bolt M10x16	6

CYLINDER 25TR08

15050



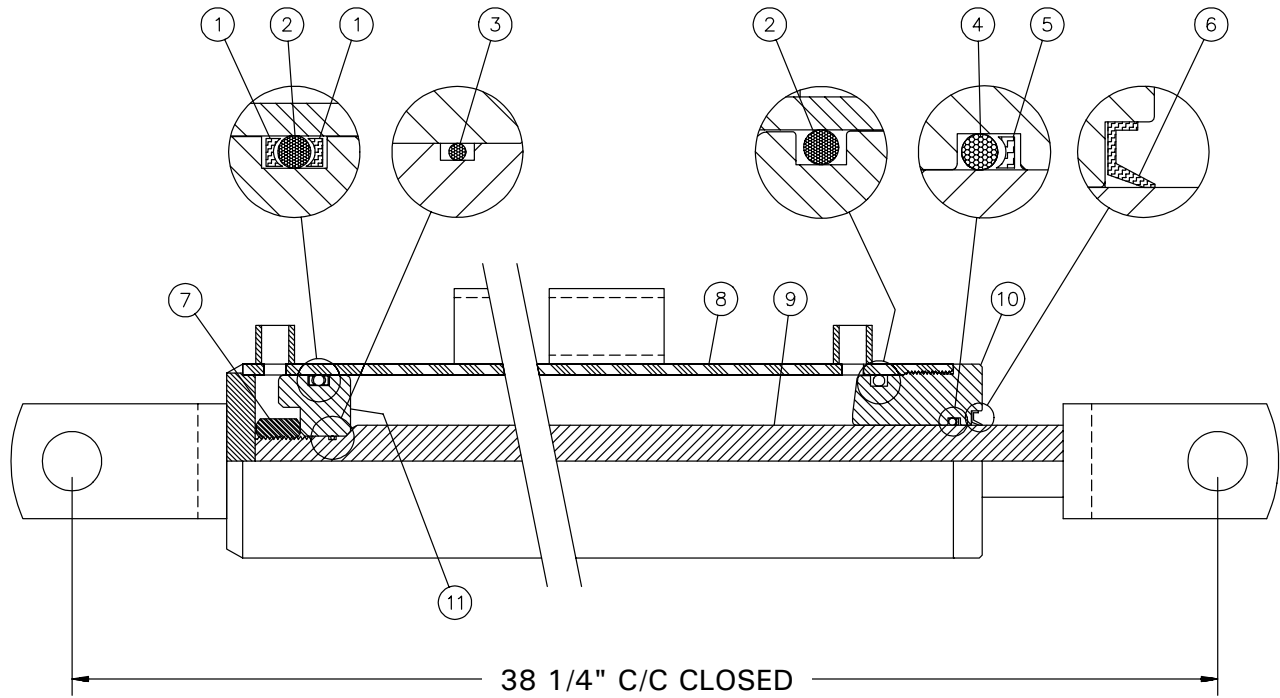
REF.	PART #	DESCRIPTION	QTY
1	See #RK25TR	O-ring 1/8" x 2 1/4" x 2 1/2"	2
2	See #RK25TR	Back-up 2 1/2" o.d. x 3/16 ø	2
3	See #RK25TR	O-ring 3/16" x 2 1/8" x 2 1/2"	1
4	See #RK25TR	O-ring 1/16" x 5/8" x 3/4"	1
5	See #RK25TR	O-ring 1/8" x 1 1/8" x 1 3/8"	1
6	See #RK25TR	Back-up 1 3/8" o.d. x 1/8" ø	1
7	See #RK25TR	Wiper 1 1/8" i.d. x 1 5/8" o.d.	1
8	492401	Yoke (for 2 1/2" tube)	1
9	339-46000	Nut 3/4" NF	1
10	4924-31	Piston 2 1/2" ø	1
11	491980	Piston rod 1 1/8"	1
12	491668	Cylinder body 2 1/2" ø	1
13	492421	Head (for 2 1/2" tube)	1
14	301-36355	Bolt 3/8" NC x 2 1/4" lg + nut	1
15	377-36000	Nut 3/8" NC	8
16	Std.	Threaded rod 3/8" NC x 12" lg	4
17	458599	Yoke (for 1 1/8" rod)	1
NI*	8183	Pin 1" ø + cotter pin	2
NI*	RK25TR	Repair kit for cylinder 2 1/2" (includes # 1, 2, 3, 4, 5, 6, & 7)	1

10

*NI = NOT ILLUSTRATED

CYLINDER 20G28

170-00671

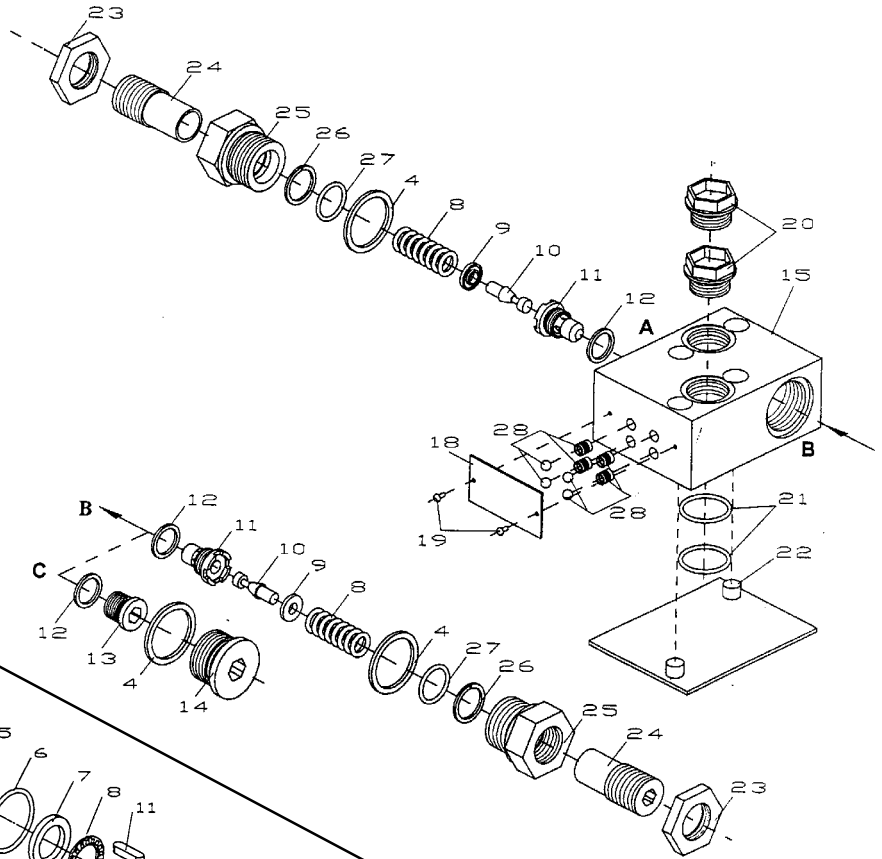


REF.	PART #	DESCRIPTION	QTY
1	BU-326	Back-up ring 3/16" x 1 5/8" x 2"	2
2	OR-326	O-ring 3/16" x 1 5/8" x 2"	2
3	OR-016	O-ring 1/16" x 5/8" x 3/4"	1
4	OR-216	O-ring 1/8" x 1 1/8" x 1 3/8"	1
5	BU-216	Back-up ring 1/8" x 1 1/8" x 1 3/8"	1
6	CR11050	Wiper 1/8" x 1 1/8" x 1 3/8"	1
7	339-46000	Nut 3/4" NF	1
8	110-04491	Cylinder body 2" dia.	1
9	110-04501	Piston rod 1 1/4" dia.	1
10	D-6021	Head 2" dia.	1
11	D-6020	Piston 2" dia.	1
NI*	9488	Repair kit (includes # 1, 2, 3, 4, 5 & 6)	1

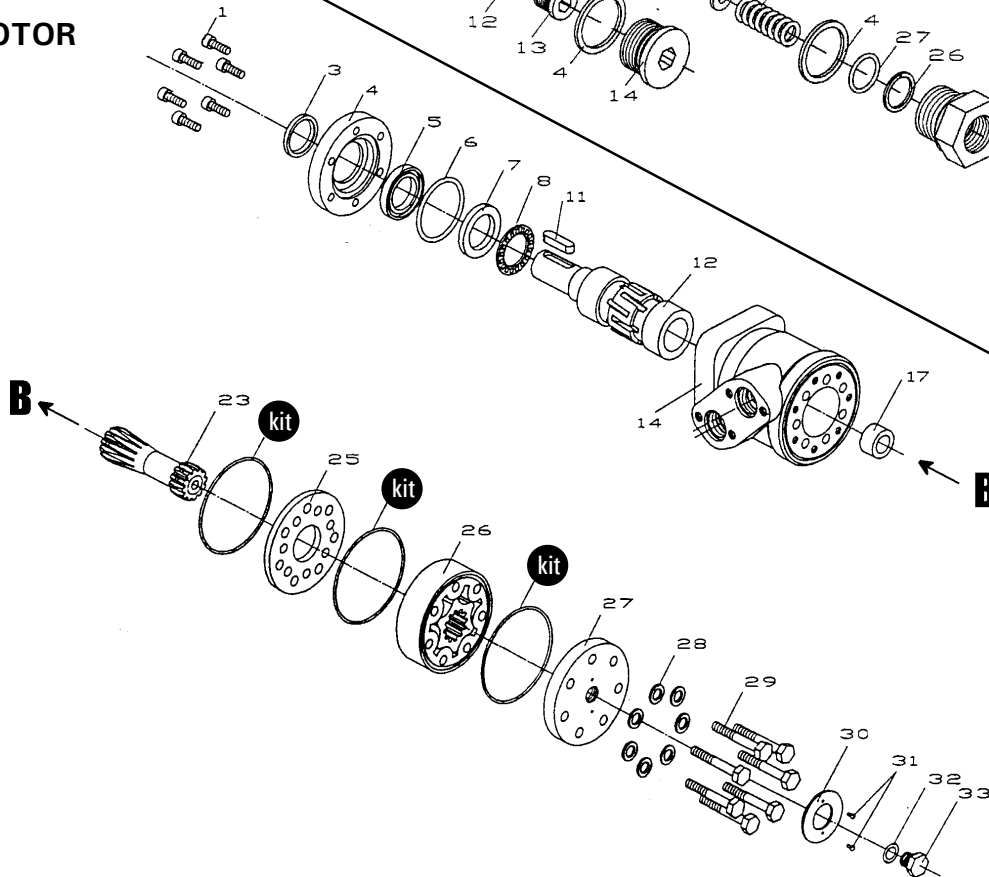
*NI = NOT ILLUSTRATED

HYDRAULIC MOTOR # MLH-250 & MLH-315

CUSHION VALVE



MOTOR






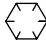



REF.	PART #	DESCRIPTION	QTY
kit	8368	Set of seals.....	1
11	8369	Key for "Orbit" motor.....	1






10

TORQUE CHART

TORQUE SPECIFICATION TABLE

Thread UNC and UNF		Grade 2 				Grade 5   				Grade 8*   			
Bolt size		Torque				Torque				Torque			
Inches	mm	Pound feet min.	Pound feet max.	Newton meters min.	Newton meters max.	Pound feet min.	Pound feet max.	Newton meters min.	Newton meters max.	Pound feet min.	Pound feet max.	Newton meters min.	Newton meters max.
1/4	6.35	5	6	6.8	8.13	9	11	12.2	14.9	12	15	16.3	30.3
5/16	7.94	10	12	13.6	16.3	17	20.5	23.1	27.8	24	29	32.5	39.3
3/8	9.53	20	23	27.1	31.2	35	42	47.5	57.0	45	54	61.0	73.2
7/16	11.11	30	35	40.7	47.4	54	64	73.2	86.8	70	84	94.9	113.9
1/2	12.70	45	52	61.0	70.5	80	96	108.5	130.2	110	132	149.2	179.0
9/16	14.29	65	75	88.1	101.6	110	132	149.2	179.0	160	192	217.0	260.4
5/8	15.88	95	105	128.7	142.3	150	180	203.4	244.1	220	264	298.3	358.0
3/4	19.05	150	185	203.3	250.7	270	324	366.1	439.3	380	456	515.3	618.3
7/8	22.23	160	200	216.8	271.0	400	480	542.4	650.9	600	720	813.6	976.3
1	25.40	250	300	338.8	406.5	580	696	786.5	943.8	900	1080	1220.4	1464.5
1 1/8	25.58	-	-	-	-	800	880	1084.8	1193.3	1280	1440	1735.7	1952.6
1 1/4	31.75	-	-	-	-	1120	1240	1518.7	1681.4	1820	2000	2467.9	2712.0
1 3/8	34.93	-	-	-	-	1460	1680	1979.8	2278.1	2380	2720	3227.3	3688.3
1 1/2	38.10	-	-	-	-	1940	2200	2630.6	2983.2	3160	3560	4285.0	4827.4

* Thick nuts must be used with grade 8 bolts.

Size of screw	Thread	Pitch (mm)	Grade 4T  				Grade 7T 				Grade 8T  			
			Torque				Torque				Torque			
			Pound feet min.	Pound feet max.	Newton meters min.	Newton meters max.	Pound feet min.	Pound feet max.	Newton meters min.	Newton meters max.	Pound feet min.	Pound feet max.	Newton meters min.	Newton meters max.
M6	UNC	1.00	3.6	5.8	4.9	7.9	5.8	9.4	7.9	12.7	7.2	10	9.8	13.6
M8	UNC	1.25	7.2	14	9.8	19	17	22	23	29.8	20	26	27.1	35.2
M10	UNC	1.5	20	25	27.1	33.9	34	40	46.1	54.2	38	46	51.5	62.3
M12	UNC	1.75	28	34	37.9	46.1	51	59	69.1	79.9	57	66	77.2	89.4
M14	UNC	2.0	49	56	66.4	75.9	81	93	109.8	126	96	109	130.1	147.7
M16	UNC	2.0	67	77	90.8	104.3	116	130	157.2	176.2	129	145	174.8	196.5
M18	UNC	2.0	88	100	119.2	136	150	168	203.3	227.6	175	194	237.1	262.9
M20	UNC	2.5	108	130	146.3	176.2	186	205	252	277.8	213	249	288.6	337.4
M8	UNF	1.0	12	17	16.3	23	19	27	25.7	36.6	22	31	29.8	42
M10	UNF	1.25	20	29	27.1	39.3	35	47	47.4	63.7	40	52	54.2	70.5
M12	UNF	1.25	31	41	42	55.6	56	68	75.9	92.1	62	75	84	101.6
M14	UNF	1.5	52	64	70.5	86.7	90	106	122	143.6	107	124	145	168
M16	UNF	1.5	69	83	93.5	112.5	120	138	162.6	187	140	158	189.7	214.1
M18	UNF	1.5	100	117	136	158.5	177	199	239.8	269.6	202	231	273.7	313
M20	UNF	1.5	132	150	178.9	203.3	206	242	279.1	327.9	246	289	333.3	391.6

Use the above torques when special torque is not given.

NOTE: These values apply to fasteners as received from supplier, dry, or when lubricated with normal engine oil. They do not apply if extreme pressure lubricants are used.

WARRANTY

PRONOVOST warrants this product to the initial purchaser for the period of one year from the date of purchase against defects in materials and workmanship.

We will replace or repair defective parts free of charge if they are returned to our plant in St-Tite, Quebec, Canada.

Transportation charges are the responsibility of the customer. This warranty is not transferable.

Hydraulic cylinders and motors are covered by the manufacturer of these items.

All PRONOVOST spare parts purchased are covered by a three (3) month warranty.

This warranty becomes void and nul if the equipment is modified, breaks down as the result of an accident, is not operated according to manufacturer's recommendations, damaged by negligence or if maintenance has not been carried out as specified.

Our obligation is limited to the replacement or repair of the defective part. PRONOVOST accepts no responsibility for direct or indirect consequential damages of any kind.

12

Ce manuel est aussi disponible en français.
Veuillez téléphoner.



LES MACHINERIES PRONOVOST INC.
260, route 159,
Saint-Tite, Quebec, Canada, G0X 3H0
Tel.: (418) 365-7551, Fax: (418) 365-7954
www.pronovost.qc.ca