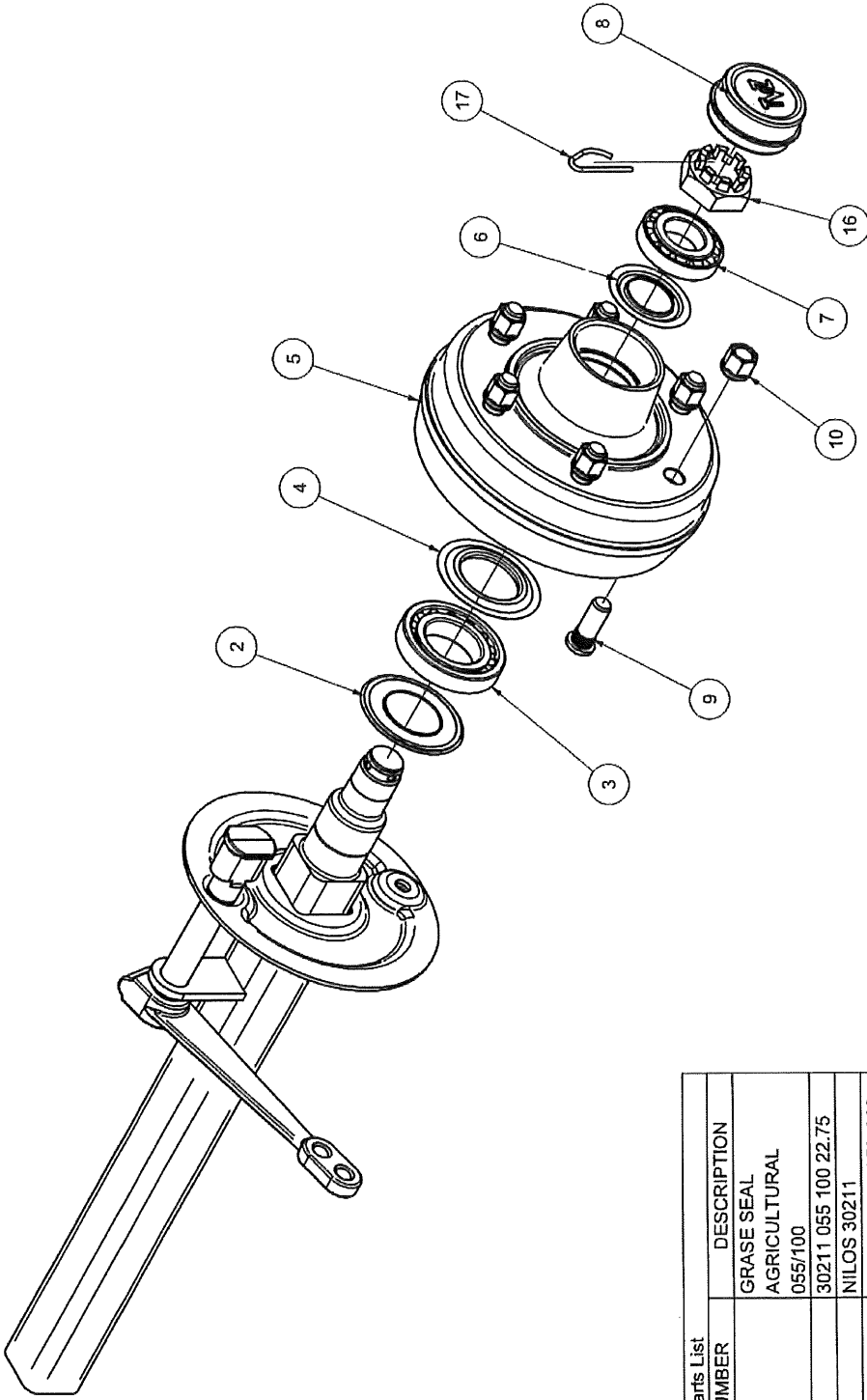


Parts List			DESCRIPTION
ITEM	QTY	PART NUMBER	DESCRIPTION
2	1	5411001	GRASE SEAL AGRICULTURAL 055/100
3	1	59130211	30211 055 100 22.75
4	1	5511001	NILOS 30211
5	1	61L6LA008	HUB H06 18 080-0100 160-205 NOT RIBBED
6	1	5510801	NILOS 30208
7	1	59130208	30208 040 080 19.75
8	1	56108009	CAP ø80 TVZ
9	6	57118B1	STUD M18x1.50 L054
10	6	57318B4	STUD NUT M18x1.50
11	1	57539B1	CH24 GERMAN TYPE CROWN NUT M39x1.50 WR50 H28
12	1	58205	SPRING PIN FOR NUT M39

FINAL COAT	MATERIAL - MAGNESIUM	SCALE	1:3
LENGTH WITHOUT TOLERANCE	REF	REPLACE	DATE
DRAWN	APPROVED	REPLACE	DATE
DATE	18/06/10	REPLACED BY/DATE	NAME
RADIUS WITHOUT TOLERANCE		NAME	MAGALINI A. VENERI G.
OWNER	DRWG. N°	SCHEDA RICAMBI 06640000001	
V		STANDARD	
		SPARE PART LIST 06640000001	
		STANDARD	
		SHEET	1/1
		R.N°	0
		06640000001	



Parts List			
ITEM	QTY	PART NUMBER	DESCRIPTION
2	1	5411001	GRASE SEAL AGRICULTURAL 055/100
3	1	59130211	30211 055 100 22.75
4	1	5511001	NILOS 30211
5	1	65L6LA03	SOLID DRUM 250x060 H06 18 080-100 160-205
6	1	5510801	NILOS 30208
7	1	59130208	30208 040 080 19.75
8	1	56108009	CAP ø80 TVZ
9	6	5711881	STUD M18x1.50 L054
10	6	5731884	STUD NUT M18x1.50 CH24 GERMAN TYPE
16	1	5753981	CROWN NUT M39X1.50 WR50 H28
17	1	58205	SPRING PIN FOR NUT M39

FINAL COAT		MATERIAL - HARDNESS		REF. SCALE	
LENGTH WITHOUT TOLERANCE				(A3) 1:4	
DIAMETER WITHOUT TOLERANCE		DRAWN		REPLACE DATE	
RADIUS WITHOUT DIMENSIONS		DATE 16/06/11		APPROVED 16/06/11	
OWNER V		NAME MAGALINI A.		REPLACED BY DATE	
WEIGHT (KG)		NAME MERITTI R.			
SCHEDA RICAMBI 0664025M001 STANDARD SPARE PART LIST 0664025M001 STANDARD					
DWS. N° 0664025M001				SHEET 1/1	
				R.L. NO 0	