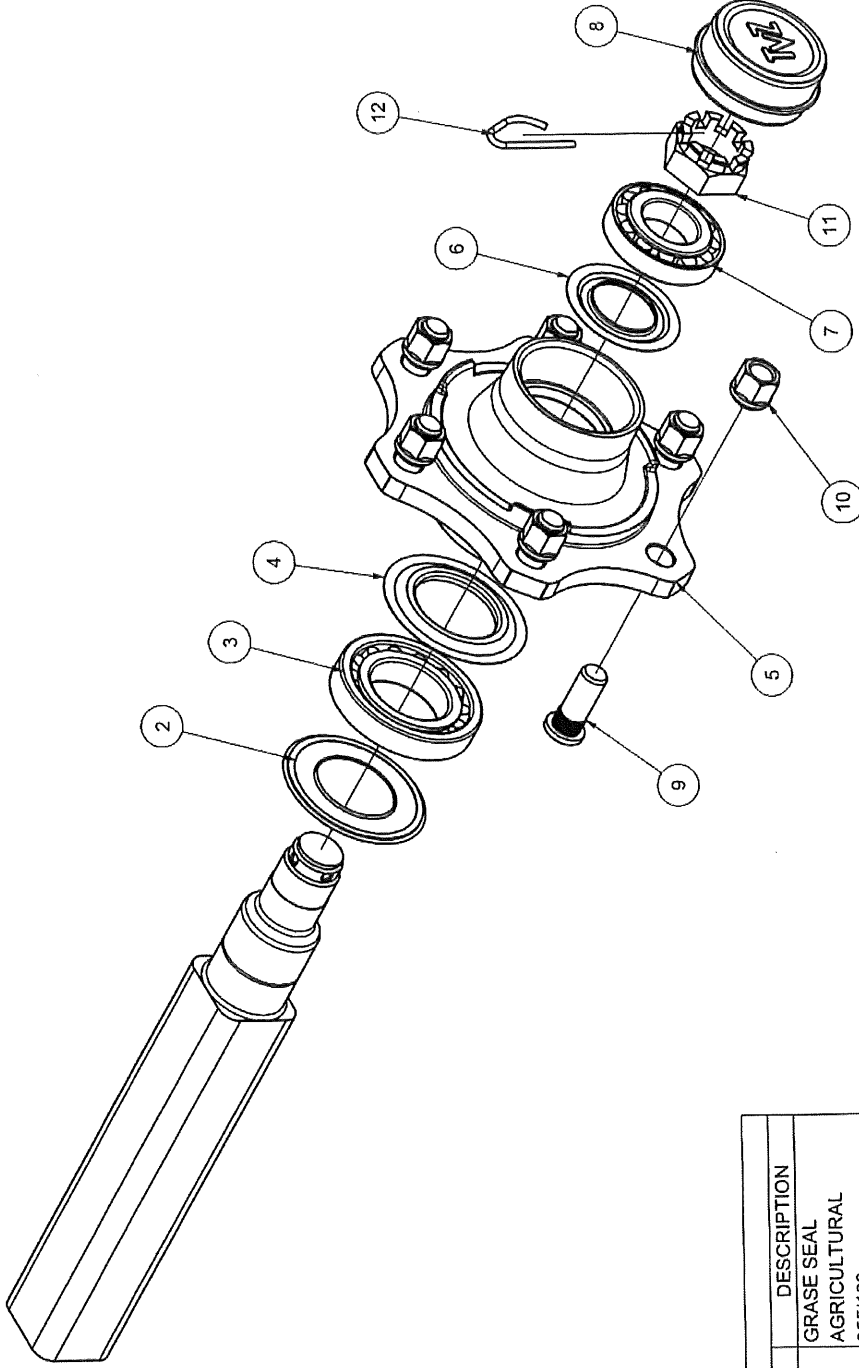


Parts List		
ITEM	QTY	DESCRIPTION
3	1	AG. SEAL 040/080
4	1	30208 040 080 19.75
5	1	NILOS 30208
6	1	HUB H05 16 062-080 094-140 NOT RIBBED
7	1	NILOS 30206
8	1	30206 030 062 17.25
9	5	STUD M16X1.50 L050
10	5	STUD NUTM16x1,50 WR 27
11	1	CROWN NUT M27X1.50 CH41 H20
12	1	SPRING PIN FOR NUT M27 M30
13	1	CAP ø82 TVZ

FINAL COAT	MATERIAL - HARDNESS:	REF.	SCALE
LENGTH WITHOUT TOLERANCE			1:2.5
DRAWN	APPROVED	REPLACE	NAME:
DATE 28/06/10	28/06/10		
RADIUS WITHOUT DIMBAS DIMS	NAME MAGALINI A.	VENERI G.	REPLACED BY/DATE:
OWNER V	WEIGHT (kg)		
SCHEDA RICAMBI 05530000001 STANDARD SPARE PART LIST 05530000001 STANDARD			
DIMS. N.°			SHEET
05530000001			1/1
			R. No
			0



Parts List		
ITEM	QTY	DESCRIPTION
2	1	GRASE SEAL AGRICULTURAL 055/100
3	1	30211 055 100 22.75
4	1	NILOS 30211
5	1	HUB H06 18 080-0100 160-205 NOT RIBBED
6	1	NILOS 30208
7	1	30208 040 080 19.75
8	1	CAP 680 TVZ
9	6	STUD M18x1,50 L054
10	6	STUD NUT M18x1,50 CH24 GERMAN TYPE
11	1	CROWN NUT M39x1.50 WR50 H28
12	1	SPRING PIN FOR NUT M39

FINAL COAT		MATERIAL - HARDNESS		SCALE 1:3	
LEIGHT WITHOUT TOLLERANCE		APPROVED	REPLACE	DATE	NAME
DIAMETER WITHOUT TOLLERANCE		18/06/10	18/06/10		
RADIUS WITHOUT DIMENSIONS		NAME	REPLACES BY/DATE:		
OWNER		MAGALINI A.	VENERI G.		
V	WEIGHT (kg)	SCHEDA RICAMBI 06640000001			
		STANDARD			
		SPARE PART LIST 06640000001			
		STANDARD			
		DWG. N° 0664000001			
		SHEET	0		
		1/1			