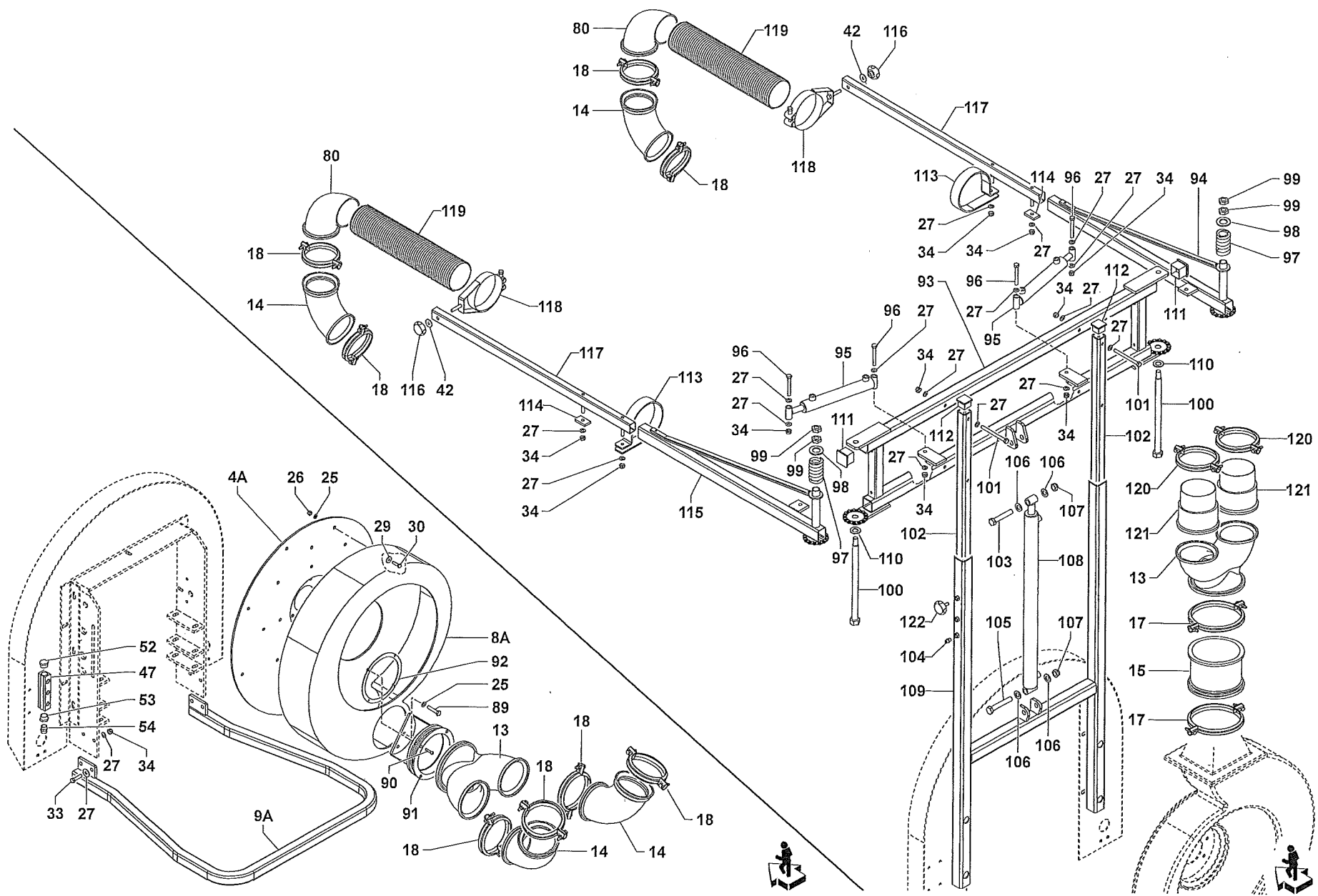


PNEUS (CHIOCCIOLA USCITA DOPPIA)

TAV.	7.1	R.	
TAB.			
TAF.			1



VARIANTI PNEUS (CHIOCCIOLA USCITA SINGOLA - CHIOCCIOLA USCITA DOPPIA CON SCAVALLANTE)

TAV.	7.2	R.
TAB.		
TAF.		0

GRUPPI VENTOLA , FAN UNIT , LUFERRAD EINHEIT , GROUPE VENTILATEUR , GRUPO VENTILADOR										TAV. TAB. TAF.	7.1-7.2	R. 1
PNEUS												
POS.	CODICE/CODE	860	880	1100	1650	2200	DENOMINAZIONE	DENOMINATION	BEZEICHNUNG	DENOMINATION	DENOMINACION	DENOMINACAO.
1	061.1104VN	1	1	1	1	1	COPERTURA	COVERING	DECKUNG	COUVERTURE	COBERTURA	COBERTURA
2	061.1140VN	1	1				LAMIERA	PLATE	BLATT	PLAQUE	HOIA	FLOHA
2	061.1141VN				1	1	LAMIERA OMA - BARG - AGRIC	PLATE	BLATT	PLAQUE	HOIA	FLOHA
2	061.1101VN			1	1	1	LAMIERA	PLATE	BLATT	PLAQUE	HOIA	FLOHA
3	061.1075VN	1	1	1	1	1	SUPPORTO	SUPPORT	HALTER	SUPPORT	SOPORTE	SUSTENTACAO
4	061.6162VN	1	1	1	1	1	SUPPORTO	SUPPORT	HALTER	SUPPORT	SOPORTE	SUSTENTACAO
4A	061.616VN	1	1	1	1		SUPPORTO	SUPPORT	HALTER	SUPPORT	SOPORTE	SUSTENTACAO
5	061.1444VN	1	1	1	1	1	SUPPORTO	SUPPORT	HALTER	SUPPORT	SOPORTE	SUSTENTACAO
6	061.1075PVN	1	1	1	1	1	PIASTRA	GEAR	PLATTE	SOUTIEN	SOPORTE	SUSTENTACAO
7	023.005P	1	1	1	1	1	MOLTIPLICATORE	MULTIPLIER	VERVIELFACHER	MULTIPLICATEUR	MULTIPLICADOR	MULTIPLICADOR
8	001.821GC	1	1	1	1	1	CHIOCCIOLA PRJ	WASHER	SCHIEBE	RONDELLE	ARANDELA	ANILHA
8	001.821BC	1	1	1	1	1	CHIOCCIOLA BARG-AGRIC-OMA	WASHER	SCHIEBE	RONDELLE	ARANDELA	ANILHA
8A	001.828GC	1	1	1	1	1	CHIOCCIOLA PRJ	WASHER	SCHIEBE	RONDELLE	ARANDELA	ANILHA
8A	001.828BC	1	1	1	1	1	CHIOCCIOLA BARG-AGRIC-OMA	WASHER	SCHIEBE	RONDELLE	ARANDELA	ANILHA
9	061.513VN	1	1	1	1	1	PARAURTI	BUMPER	STOEFG NGER	PARE-CHOC	PARACHOQUES	PARA CHOQUES
9A	061.512VN	1	1	1	1	1	PARAURTI	BUMPER	STOEFG NGER	PARE-CHOC	PARACHOQUES	PARA CHOQUES
10	001.603CG	1	1	1	1	1	CORPO PRJ	BODY	KORPER	CORPS	CUERPO	CORPO
10	001.603BC	1	1	1	1	1	CORPO BARG-AGRIC-OMA	BODY	KORPER	CORPS	CUERPO	CORPO
11	061.1066VN	1	1	1			LEVA	LEVER	HEBEL	LEVIER	PALANCA	ALAVANCA
11	061.1067VN				1	1	LEVA	LEVER	HEBEL	LEVIER	PALANCA	ALAVANCA
12	001.601GC	1	1	1	1	1	RIDUZIONE PRJ	REDUCTION	VERKLEINERUNG	REDUCTION	REDUCCION	REDUCAO
12	001.601BC	1	1	1	1	1	RIDUZIONE BARG-AGRIC-OMA	REDUCTION	VERKLEINERUNG	REDUCTION	REDUCCION	REDUCAO
13	001.602GC	1	1	1	1	1	CORPO PRJ	BODY	KORPER	CORPS	CUERPO	CORPO
13	001.602BC	1	1	1	1	1	CORPO BARG-AGRIC-OMA	BODY	KORPER	CORPS	CUERPO	CORPO
14	001.606GC	6	6	6	6	6	CURVA PRJ	CURVE	KURVE	COURBE	CURVA	CURVA
14	001.606BC	6	6	6	6	6	CURVA BARG-AGRIC-OMA	CURVE	KURVE	COURBE	CURVA	CURVA
15	001.609GC	1	1	1	1	1	PROLUNGA PRJ	EXTENSION	VERLANGERUNGSSTUCK	RALLONGE	PROLONGACION	EXTENSAO
15	001.609BC	1	1	1	1	1	PROLUNGA BARG-AGRIC-OMA	EXTENSION	VERLANGERUNGSSTUCK	RALLONGE	PROLONGACION	EXTENSAO
16	000.20760	2	2	2	2	2	MOLLA	SPRING	FEDER	RESSORT	MUELLE	MOLA
17	308.0162	2	2	2	2	2	COLLARE	COLLAR	SCHELLE	COLAR	COLLIER	COLLIER
18	308.0165	10	10	10	10	10	COLLARE	COLLAR	SCHELLE	COLAR	COLLIER	COLLIER
19	033.060	1	1	1	1	1	RETE ASPIRAZIONE	VACUUM NET	ANSAUGENNITZ	RESEAU ASPIRATION	MALLA DE ASPIRACION	MALA DE ASPIRACION
20	001.634A	1	1	1	1	1	COPERCHIO PRJ	COVER	DECKEL	COUVERCLE	TAPA	TAMPA
20	001.634BA	1	1	1	1	1	COPERCHIO AGR-BARG-OMA	COVER	DECKEL	COUVERCLE	TAPA	TAMPA
21	036.208	1	1	1	1	1	DISTANZIALE	SPACER	DISTANZSTUCK	ENTRETOISE	SEPARADOR	ESPACADOR
22	035.050VN	1	1	1	1	1	VENTOLA	FAN	LUFERRAD	VENTILATEUR	IMPULSOR	VENTOINHA
23	061.519VN	1	1	1	1	1	SUPPORTO	SUPPORT	HALTER	SUPPORT	SOPORTE	SUSTENTACAO
24	017.207	14	14	14	14	14	VITE	SCREW	SCHRAUBE	VIS	TORNILLO	PARAFUSO
25	AM4500008	24	24	24	24	24	RONDELLA	WASHER	SCHIEBE	RONDELLE	ARANDELA	ANILHA
26	AM2300008	26	26	26	26	26	DADO	NUT	MUTTER	ECROU	TUERCA	PORCA
27	AM4500010	47	47	47	47	47	RONDELLA	WASHER	SCHIEBE	RONDELLE	ARANDELA	ANILHA
28	017.214	14	14	14	14	14	VITE	SCREW	SCHRAUBE	VIS	TORNILLO	PARAFUSO
29	AM4708242	16	16	16	16	16	RONDELLA	WASHER	SCHIEBE	RONDELLE	ARANDELA	ANILHA
30	017.206	8	8	8	8	8	VITE	SCREW	SCHRAUBE	VIS	TORNILLO	PARAFUSO

GRUPPI VENTOLA , FAN UNIT , LUFERRAD EINHEIT , GROUPE VENTILATEUR , GRUPO VENTILADOR  
PNEUS

TAV. 7.1-7.2  
TAB. 1AF. R. 1

POS.	CODICE/CODE	660	880	1100	1650	2200	DENOMINAZIONE	DENOMINATION	BEZEICHNUNG	DENOMINATION	DENOMINACION	DENOMINACAO
31	017.010	16	16	16	16	16	RONDELLA	WASHER	SCHEIBE	RONDELLE	ARANDELA	ANILHA
32	017.363A	16	16	16	16	16	VITE	SCREW	SCHRAUBE	VIS	TORNILLO	PARAFUSO
33	017.217A	12	12	12	12	12	VITE	SCREW	SCHRAUBE	VIS	TORNILLO	PARAFUSO
34	AM2300010	30	30	30	30	30	DADO	NUT	MUTTER	ECROU	TUERCA	PORCA
35	AM4500012	8	8	8	8	8	RONDELLA	WASHER	SCHEIBE	RONDELLE	ARANDELA	ANILHA
36	AM0101260	4	4	4	4	4	VITE	SCREW	SCHRAUBE	VIS	TORNILLO	PARAFUSO
37	AM3100012	4	4	4	4	4	DADO	NUT	MUTTER	ECROU	TUERCA	PORCA
38	061.1102VN	1	1	1	1	1	STAFFA	BRACKET	BUGEL	BRIDE	BRIDA	SUPPORTER
39	061.1103VN	1	1	1	1	1	STAFFA	BRACKET	BUGEL	BRIDE	BRIDA	SUPPORTER
40	017.208	2	2	2	2	2	VITE	SCREW	SCHRAUBE	VIS	TORNILLO	PARAFUSO
41	017.065	2	2	2	2	2	VITE	SCREW	SCHRAUBE	VIS	TORNILLO	PARAFUSO
42	017.016	26	26	26	26	26	RONDELLA	WASHER	SCHEIBE	RONDELLE	ARANDELA	ANILHA
43	AM0101035	14	14	14	14	14	VITE	SCREW	SCHRAUBE	VIS	TORNILLO	PARAFUSO
44	049.0204	4	4	4	4	4	GUARNIZIONE	SEAL	SEAL	SEAL	SEAL	SEAL
45	047.0302	4	4	4	4	4	RACCORDO	CONNECTION	ANSCHLUB	RACCORD	TORNILLO	ANILHA
46	047.320B	1	1	1	1	1	GOMITO	REDUCTION	VERKLEINERUNG	REDUCTION	REDUCCION	REDUCAO
47	047.510	2	2	2	2	2	COLLETTORE	JOINT	KOLLEKTOR	COLLECTEUR	RECOLECTOR	RECOLHEDOR
48	013.041	2	2	2	2	2	TUBO	HOSE	SCHLAUCH	TUYAU	TUBO	MANGUEIRA
49	029.021	4	4	4	4	4	MOLLA	SPRING	FEDER	RESSORT	MUELLE	MOLA
51	047.512	2	2	2	2	2	COLLETTORE	JOINT	KOLLEKTOR	COLLECTEUR	RECOLECTOR	RECOLHEDOR
52	047.3302	2	2	2	2	2	TAPPO	PLUG	VERCHUSS	BOUCHON	TAPON	PLUGUE
53	047.300	2	2	2	2	2	RIDUZIONE	REDUCTION	VERKLEINERUNG	REDUCTION	REDUCCION	REDUCAO
54	047.338	2	2	2	2	2	NIPLES	NIPLES	NIPLES	NIPLES	NIPLES	NIPLES
55	061.340VN	1	1	1	1	1	PORTA LUCI	LINGJTS HOLDER	LICHT GEH. USE	PORTE-FEUX	SOPORTE LUZ	SUPORTE LUZ
56	061.342VN	1	1	1	1	1	PORTA LUCI	LINGJTS HOLDER	LICHT GEH. USE	PORTE-FEUX	SOPORTE LUZ	SUPORTE LUZ
57	061.341VN	2	2	2	2	2	STAFFA	BRACKET	BUGEL	BRIDE	BRIDA	SUPPORTER
58	056.004Q	1	1	1	1	1	KIT ILLUMINAZIONE	LIGHTING KIT SYSTEM	KIT INSTALLATION D'CLAIRAGE	AUSTATTUNGSLICHTER	KIT SISTEMA DE ILLUMINACION	KIT DE ILUMINA. ,.O
59	049.102	4	4	4	4	4	GOMMINA PASSACAVO	RUBBER	GUMMI	CAOUTCHOUC PASSE-C..BLE	PEQUEÇA GOMA PASACABLE	ROLHA DE BORRACHA
60	061.1454	1	1	1	1	1	STAFFA	BRACKET	BUGEL	BRIDE	BRIDA	SUPPORTER
61	017.247	2	2	2	2	2	VITE	SCREW	SCHRAUBE	VIS	TORNILLO	PARAFUSO
62	A01000403VN	1	1	1	1	1	PIEDINO	SUPPORT	StandfüÙ	PIED DE SUOTIEN	SOPORTE DE PIE	SUPORTE
63	017.097	1	1	1	1	1	PERNO	PIN	ZAPFEN	PIVOT	PERNO	PERNO
64	017.370A	1	1	1	1	1	COPIGLIA	ELASTIC PIN	ELASTISCH. SPLINT	PIN	CLAVIJA	LATCH DE BOCCACHA
65	047.318A	1	1	1	1	1	PROLUNGA	EXTENSION	VERLANGERUNGSSTÜCK	RALLONGE	PROLONGACION	EXTENSAO
66	001.604GC	1	1	1	1	1	TERMINALE PRJ	TERMINAL	SCHIDESCHUH	TERMINAL	TERMINAL	TERMINAL
66	001.604BC	1	1	1	1	1	TERMINALE BARG-AGRIC-OMA	TERMINAL	SCHIDESCHUH	TERMINAL	TERMINAL	TERMINAL
67	308.01613.01	3	3	3	3	3	BOCCHETTA	DRAIN	ABSAUGD* SE	BOUCHE	BOQUILLA	BOCAL
68	308.01613.02	3	3	3	3	3	BOCCHETTA	DRAIN	ABSAUGD* SE	BOUCHE	BOQUILLA	BOCAL
69	308.01613.03	3	3	3	3	3	BECCUCCIO	BEAK	ABFLUËROHR	BEC	PITORRO	BICO
70	017.127	24	24	24	24	24	VITE	SCREW	SCHRAUBE	VIS	TORNILLO	PARAFUSO
71	017.304	24	24	24	24	24	DADO	NUT	MUTTER	ECROU	TUERCA	PORCA
72	013.040	3	3	3	3	3	TUBO	HOSE	SCHLAUCH	TUYAU	TUBO	MANGUEIRA
73	047.1902	3	3	3	3	3	RACCORDO	CONNECTION	ANSCHLUB	RACCORD	TORNILLO	ANILHA
74	048.0100	3	3	3	3	3	GHIERA	RING NUT	NUTMUTTER	COLLIER DE SERRAGE	ARANDELA	PORCA DO ANEL

## GRUPPI VENTOLA , FAN UNIT , LUFERRAD EINHEIT , GROUPE VENTILATEUR , GRUPO VENTILADOR

## PNEUS

TAV.  
TAB.  
TAF. 7.1-7.2R.  
1

POS.	CODICE/CODE	660	880	1100	1650	2200	DENOMINAZIONE	DENOMINATION	BEZEICHNUNG	DENOMINATION	DENOMINACION	DENOMINACAO
75	047.321	3	3	3	3	3	RUBINETTO	COCK	SCHLUSSHANDVENTIL	RUBINET	VALVULA DE COMPUERTA	TORNEIRA
76	047.500D	3	3	3	3	3	RACCORDO	CONNECTION	ANSCHLUB	RACCORD	TORNILLO	ANILHA
77	049.1002	3	3	3	3	3	ANELLO IN GOMMA	RUBBER RING	GUMMIRING	BAGUE EN CAOUTCHOUC	ANILLO DE GOMA	ANEL DE BORRACHA
78	053.7010	3	3	3	3	3	PATTINO	GUIDE SHOE	GLEITSTUECK	PATIN	TEJA	SAPATA DA GUIA
79	061.4612VN	1	1	1	1	1	LAMIERA	PLATE	BLATT	PLAQUE	HOIA	FLOHA
80	001.605GC	2	2	2	2	2	CURVA PRJ	CURVE	KURVE	COURBE	CURVA	CURVA
80	001.605BC	2	2	2	2	2	CURVA BARG-AGRIC-OMA	CURVE	KURVE	COURBE	CURVA	CURVA
81	047.306A	2	2	2	2	2	RIDUZIONE	REDUCTION	VERKLEINERUNG	REDUCTION	REDUCCION	REDUCAO
82	047.0948	2	2	2	2	2	CURVA	CURVE	KURVE	COURBE	CURVA	CURVA
84	061.1548	2	2	2	2	2	TUBO	HOSE	SCHLAUCH	TUYAU	TUBO	MANGUEIRA
85	001.622C	2	2	2	2	2	DIFFUSORE PRJ	DIFFUSOR	DIFFUSER	DIFFUSEUR	DIFUSOR	DIFUSOR
85	001.622BC	2	2	2	2	2	DIFFUSORE BARG-AGRIC-OMA	DIFFUSOR	DIFFUSER	DIFFUSEUR	DIFUSOR	DIFUSOR
86	001.607GC	1	1	1	1	1	PROLUNGA PRJ	EXTENSION	VERLANGERUNGSSTUCK	RALLONGE	PROLONGACION	EXTENSAO
86	001.607BC	1	1	1	1	1	PROLUNGA BARG-AGRIC-OMA	EXTENSION	VERLANGERUNGSSTUCK	RALLONGE	PROLONGACION	EXTENSAO
87	017.306	6	6	6	6	6	DADO	NUT	MUTTER	ECROU	TUERCA	PORCA
88	017.203	6	6	6	6	6	VITE	SCREW	SCHRAUBE	VIS	TORNILLO	PARAFUSO
89	017.208	2	2	2	2	2	VITE	SCREW	SCHRAUBE	VIS	TORNILLO	PARAFUSO
90	017.505	4	4	4	4	4	VITE	SCREW	SCHRAUBE	VIS	TORNILLO	PARAFUSO
91	061.679	1	1	1	1	1	DIFFUSORE	DIFFUSOR	DIFFUSER	DIFFUSEUR	DIFUSOR	DIFUSOR
92	061.1537	1	1	1	1	1	FLANGIA	FLANGE	FLANSCH MIT OR	BRIDE	FALANGE	FALANGE
93	061.0241	1	1	1	1	1	BARRA	BARR	STANGE	BAR	BARRA	BARRA
94	061.0244	1	1	1	1	1	BRACCIO DX	ARM	ARM	DEBOUT	BRAZO	ALTO
95	111.910	2	2	2	2	2	MARTINETTO IDRAULICO	HIDRAULIC SHIFT	HYDRAUL. VERSCHIEBUNG	DEPALCEMENT HIDRAUL.	ACCIONAMIENTO IDRAULICO	DESLOCAMENTO HIDR.
96	AM0101080	4	4	4	4	4	VITE	SCREW	SCHRAUBE	VIS	TORNILLO	PARAFUSO
97	059.803	2	2	2	2	2	MOLLA	SPRING	FEDER	RESSORT	MUELLE	MOLA
98	AM4600027	2	2	2	2	2	RONDELLA	WASHER	SCHIBE	RONDELLE	ARANDELA	ANILHA
99	AM2300020	4	4	4	4	4	DADO	NUT	MUTTER	ECROU	TUERCA	PORCA
100	061.2222	2	2	2	2	2	PERNO	PIN	ZAPFEN	PIVOT	PERNO	PERNO
101	017.223C	4	4	4	4	4	VITE	SCREW	SCHRAUBE	VIS	TORNILLO	PARAFUSO
102	061.0246	2	2	2	2	2	GUIDA	GUIDE SHOE	ANLEITUNG	GUIDE	GUIA	GUIA
103	017.236A	1	1	1	1	1	VITE	SCREW	SCHRAUBE	VIS	TORNILLO	PARAFUSO
104	AM7010105	2	2	2	2	2	INGRASSATORE	GREASER	SCHMIERER	TUBE DE GRAISSE	TUBO DE GRASA	LUBRIFICACAO
105	AM0216100	1	1	1	1	1	VITE	SCREW	SCHRAUBE	VIS	TORNILLO	PARAFUSO
106	AM4500016	4	4	4	4	4	RONDELLA	WASHER	SCHIBE	RONDELLE	ARANDELA	ANILHA
107	AM3100016	2	2	2	2	2	DADO	NUT	MUTTER	ECROU	TUERCA	PORCA
108	AA3540420	1	1	1	1	1	MARTINETTO IDRAULICO	HIDRAULIC SHIFT	HYDRAUL. VERSCHIEBUNG	DEPALCEMENT HIDRAUL.	ACCIONAMIENTO IDRAULICO	DESLOCAMENTO HIDR.
109	061.0242	1	1	1	1	1	TELAIO	FRAME	RAHMEN	CHASSIS	BASTIDOR	QUADRO
110	AM4500020	2	2	2	2	2	RONDELLA	WASHER	SCHIBE	RONDELLE	ARANDELA	ANILHA
111	056.409	4	4	4	4	4	TAPPO	PLUG	VERCHUSS	BOUCHON	TAPON	PLUGUE
112	056.407	2	2	2	2	2	TAPPO	PLUG	VERCHUSS	BOUCHON	TAPON	PLUGUE
113	061.0248	2	2	2	2	2	STAFFA	BRACKET	BUGEL	BRIDE	TAPON	SUPORTER
114	061.0249	2	2	2	2	2	PIATTO	PLATE	TELLER	PLAT	PLATO	PRATO
115	061.0243	1	1	1	1	1	BRACCIO SX	ARM	ARM	DEBOUT	BRAZO	ALTO
116	055.1306	2	2	2	2	2	VOLANTINO	GRIP HANDLE	EINSTELLKNOPF	BOUTON	MANDO	COMANDO

						GRUPPI VENTOLA , FAN UNIT , LUFERRAD EINHEIT , GROUPE VENTILATEUR , GRUPO VENTILADOR					TAV. TAB. 7.1-7.2 TAF.		R. 1	
POS.	CODICE/CODE	660	880	1100	1650	2200	PNEUS							
							DENOMINAZIONE	DENOMINATION	BEZEICHNUNG	DENOMINATION	DENOMINACION	DENOMINACAO		
117	061.0245	2	2	2	2	2	PUNTA BRACCIO	ARM	ARM	DEBOUT	BRAZO	ALTO		
118	061.02410	2	2	2	2	2	FASCETTA	CLAMP	SHELL	COLLIER	FAJA	BRACADEIRA		
119	013.033	2	2	2	2	2	TUBO	HOSE	SCHLAUCH	TUYAU	TUBO	MANGUEIRA		
120	029.035	2	2	2	2	2	FASCETTA	CLAMP	SHELL	COLLIER	FAJA	BRACADEIRA		
121	001.626C	2	2	2	2	2	PROLUNGA PRJ	EXTENSION	VERLANGERUNGSSTUCK	RALLONGE	PROLONGACION	EXTENSAO		
121	001.626BC	2	2	2	2	2	PROLUNGA BARG-AGRIC-OMA	EXTENSION	VERLANGERUNGSSTUCK	RALLONGE	PROLONGACION	EXTENSAO		
122	055.1406	4	4	4	4	4	VOLANTINO	GRIP HANDLE	EINSTELLKNOPF	BOUTON	MANDO	COMANDO		
123	AM101030	7	7	7	7	7	VITE	SCREW	SCHRAUBE	VIS	TORNILLO	PARAFUSO		
124	AA77000101	1	1	1	1	1	ANTIVIBRANTE	ANTI VIBRATION	SCHWINGUNGSDAEMPFEND	ANTI VIBRATION	ANTIVIBRANTE	ANTIVIBRANTE		
125	017.022	1	1	1	1	1	DADO	NUT	MUTTER	ECROU	TUERCA	PORCA		
126	017.310	7	7	7	7	7	DADO	NUT	MUTTER	ECROU	TUERCA	PORCA		