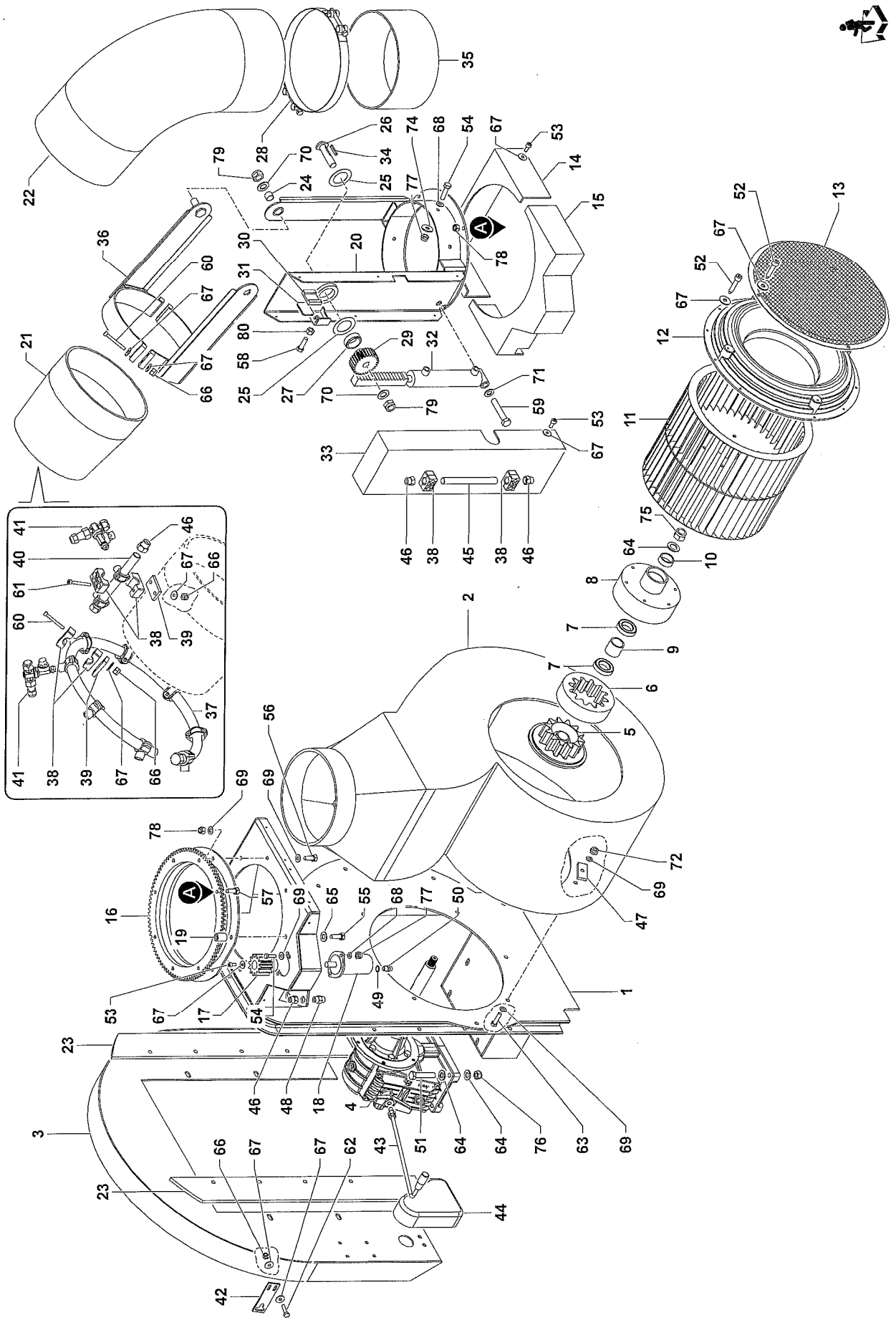




TAV.	R.
TAB.	10
TAF.	0



TURBO FLEX

GRUPPI VENTOLA • FAN UNIT • LUFERRAD EINHEIT • GROUPE VENTILATEUR • GRUPO VENTILADOR
 COMPACT TURBO FLEX

TAV. 10
 TRAF. 0
 R. 0

CODICE/CODE	1100	1650	2200	DENOMINAZIONE	DENOMINATION	BEZEICHNUNG	DENOMINATION	DENOMINACION	DENOMINACAO
1_061.460TVN	1	1	1	LAMIERA	PLATE	BLATT	PLAQUE	HOIA	FLOHA
2_0017066A	1	1	1	CANNONE FLEX PRJ	CANNON	KANONE	CANNON	CANÓN	CANHÃO
2_0017067A	1	1	1	CANNONE FLEX OMA	CANNON	KANONE	CANNON	CANÓN	CANHÃO
2_0017068A	1	1	1	CANNONE FLEX BARG. - AGRIC.	CANNON	KANONE	CANNON	CANÓN	CANHÃO
3_061.1101TVN	1	1	1	LAMIERA	PLATE	BLATT	PLAQUE	HOIA	FLOHA
3_061.1141TVN	1	1	1	LAMIERA OMA - BARG. - AGRIC.	PLATE	BLATT	PLAQUE	HOIA	FLOHA
4_023.005CH	1	1	1	MOLTIPLICATORE	MULTIPLIER	VERVIELFACHER	MULTIPLICATEUR	MULTIPLICADOR	MULTIPLICADOR
4_023.005CHB	1	1	1	MOLTIPLICATORE	MULTIPLIER	VERVIELFACHER	MULTIPLICATEUR	MULTIPLICADOR	MULTIPLICADOR
5_061.743	1	1	1	INGRANAGGIO	GEAR	ZAHNRAD	ENGRANAGE	ENGRANAJE	ENGRANAGEM
6_034.0002	1	1	1	ANELLO IN GOMMA	RUBBER RING	GUMRING	BAGUE EN CAOUTCHOU	ANILLO DE GOMA	ANEL DE BORRACHA
7_032.030	2	2	2	GUJONETTO	BEARING	LAGER	COUSSINET	COJINETE	CHUMACERA
8_036.015	1	1	1	TAMBURO					
9_036.204	1	1	1	DISTANZIALE	SPACER	DISTANZSTUICK	ENTRETOISE	SEPARADOR	ESPACADOR
10_036.205	1	1	1	DISTANZIALE	SPACER	DISTANZSTUICK	ENTRETOISE	SEPARADOR	ESPACADOR
11_061.697VN	1	1	1	VENTOLA	FAN	LUFERRAD	VENTILATEUR	IMPULSOR	VENTONINHA
12_001.63445	1	1	1	COPERCHIO PRJ	COVER	DECKEL	COUVERCLE	TAPA	TAMPA
12_001.63545	1	1	1	COPERCHIO OMA	COVER	DECKEL	COUVERCLE	TAPA	TAMPA
12_001.63445B	1	1	1	COPERCHIO BARG. - AGRIC.	COVER	DECKEL	COUVERCLE	TAPA	TAMPA
13_308.01612Z	1	1	1	RETE ASPIRAZIONE	VACUUM NET	ANSAUGENNETZ	RESEAU ASPIRATION	MALLA DE ASPIRACION	MALLA DE ASPIRACAO
14_001.705VA	1	1	1	COPRIRALLA PRJ	THRUST BLOCK COVER	SCHIEBEDECKEL	BUTEE	RANGUA	TAMPA DO BLOCO
14_001.705BA	1	1	1	COPRIRALLA OMA	THRUST BLOCK COVER	SCHIEBEDECKEL	BUTEE	RANGUA	TAMPA DO BLOCO
14_001.705GA	1	1	1	COPRIRALLA BARG. - AGRIC.	THRUST BLOCK COVER	SCHIEBEDECKEL	BUTEE	RANGUA	TAMPA DO BLOCO
15_001.705.1GA	1	1	1	COPRIRALLA PRJ	THRUST BLOCK COVER	SCHIEBEDECKEL	BUTEE	RANGUA	TAMPA DO BLOCO
15_001.705.1VA	1	1	1	COPRIRALLA OMA	THRUST BLOCK COVER	SCHIEBEDECKEL	BUTEE	RANGUA	TAMPA DO BLOCO
15_001.705.1BA	1	1	1	COPRIRALLA BARG. - AGRIC.	THRUST BLOCK COVER	SCHIEBEDECKEL	BUTEE	RANGUA	TAMPA DO BLOCO
16_061.884	1	1	1	RALLA	BRACKET	BUGEL	COUORNINES DE ROTATION	CHUMACERA	TAMPA DO BLOCO
17_061.742	1	1	1	INGRANAGGIO	GEAR	ZAHNRAD	ENGRANAGE	ENGRANAJE	SUPORET
18_042.200	1	1	1	MOTORE	ENGINE	MOTOR	MOTEUR	MOTOR	ENGRANAGEM
19_061.454VN	1	1	1	FERMO	LOCK	ABSPERRUNG	BLOCO	MOTOR	MOTOR
20_061.451VN	1	1	1	TESTATA INFERIORE	INF.CYLINDER HEAD	HOHERE KOPFTEIL	TETE INFERIEURE	BLOCAGE	ENCERROAMENTO
21_001.706.1GA	1	1	1	PUNTA FLEX PRJ	SPIKE	SPITZE	POINTE	CABEZA INFERIOR	CABEZA INFERIOR
21_001.706.1VA	1	1	1	PUNTA FLEX OMA	SPIKE	SPITZE	POINTE	PUNTA	PUNTA
21_001.706.1BA	1	1	1	PUNTA FLEX BARG. - AGRIC.	SPIKE	SPITZE	POINTE	PUNTA	PUNTA
22_013.006	1	1	1	TUBO	HOSE	SCHLAUCH	TUYAU	TUBO	PUNTA
23_061.1548VN	2	2	2	STAFFA	BRACKET	BUGEL	TUYAU	TUBO	PUNTA
24_056.3001	1	1	1	BRONZINA	BEARING	GLEITLAGER	COUSSINET	BRIDA	MANGUEIRA
25_048.008	2	2	2	SPESSORE	THICKNESS	SCHIEBE	RONDELLE	BUJE	SUPORTER
26_056.169	1	1	1	PERNO	PIN	ZAPFEN	PIVOT	ARANDELA	CASQUILHO
27_056.3002	1	1	1	BRONZINA	BEARING	GLEITLAGER	COUSSINET	BUJE	CASQUILHO