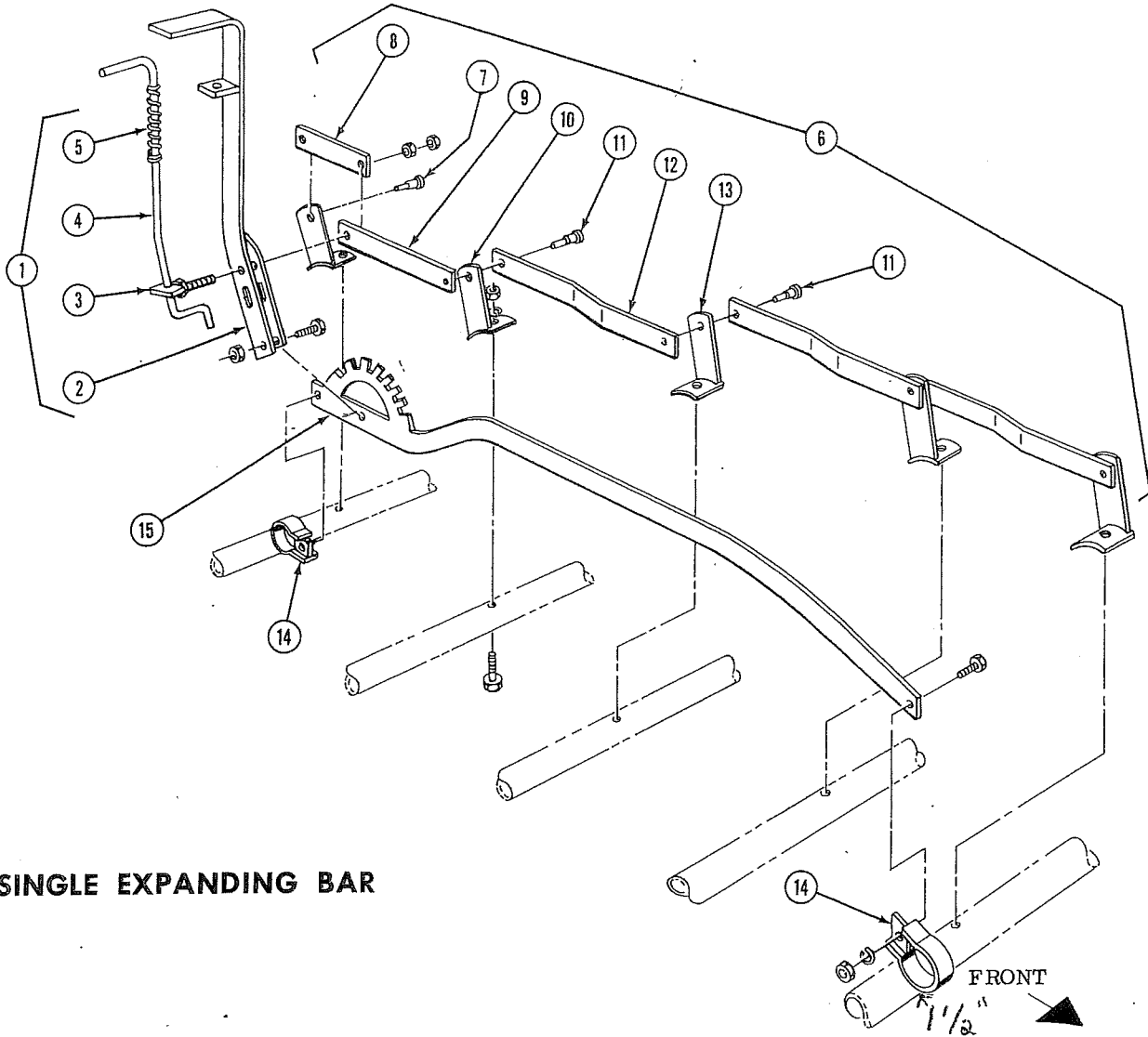


PEPIN HARROW

G-119



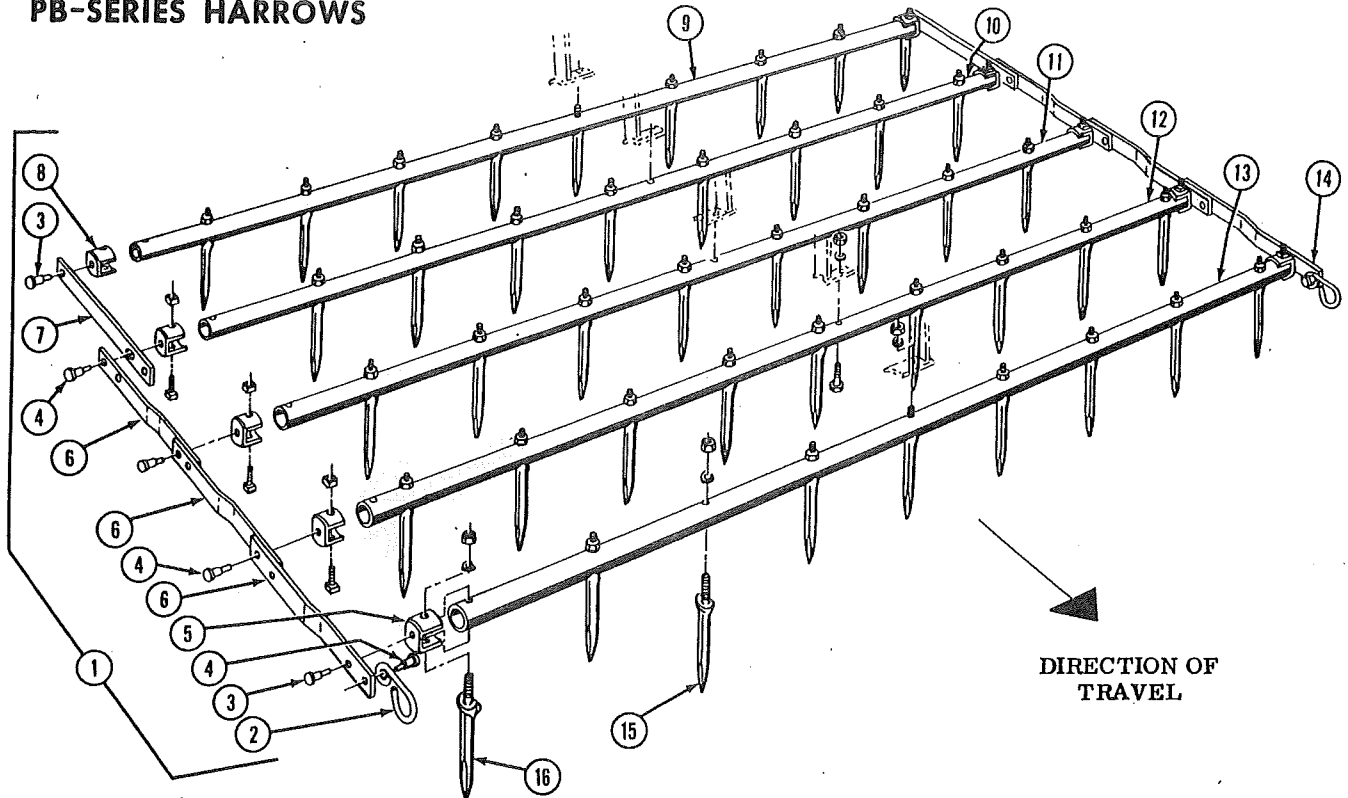
SINGLE EXPANDING BAR

REPAIR PARTS

Item	Description	PART NUMBERS		
		PB-55	PB-5-1/2	PB-6
1	Lever assembly, complete	P-38A	P-38A	P-38A
2	Lever	P-45	P-45	P-45
3	Bolt, plunger rod to lever	P-37	P-37	P-37
4	Plunger rod, lever	P-41A	P-41A	P-41A
5	Spring, lever	P-44	P-44	P-44
6	Complete tilting bar, linked with five standards	PB-28A	PB-28	PB-28
7	Rivet, shoulder, short	P-46	P-46	P-46
8	Tilting bar link, short, one per assembly	P-20	P-20	P-20
9	Tilting bar link, medium, one per assembly	P-21	P-21	P-21
10	Standard, left hand, one hole	PB-24	PB-24	PB-24
11	Rivet, shoulder, long	P-42	P-42	P-42
12	Tilting bar link, long	P-22	P-22	P-22
13	Standard, right hand, one hole	PB-26	PB-26	PB-26
14	Short channel, front and rear	SS-47	SS-47	SS-47
15	Reach bar, w/quadrant	PB-36A	PB-36A	PB-36A

PEPIN HARROW

PB-SERIES HARROWS



REPAIR PARTS

Item	Description	PART NUMBERS				
		PB-55	PB-5-1/2	PB-6	PB-6-1/2	PB-7
1	Side assembly, complete, right hand	PB-30BA	PB-30	B-30	BB-30	B-31
2	Drawhook	P-33	P-33	P-33	P-33	P-33
3	Shoulder rivet, short	P-46	P-46	P-46	P-46	P-46
4	Shoulder rivet, long	P-42	P-42	P-42	P-42	P-42
5	End clip for pipe bars, round hole	SS-49	SS-49	SS-49	SS-49	SS-49
6	Side link, round hole, three to a side	P-19	P-19	P-19	P-19	P-19
7	Side link, slotted hole, one to a side	PP-18	PP-18	PP-18	PP-18	PP-18
8	End clip for pipe bars, square hole	S-49	S-49	S-49	S-49	S-49
9	Pipe bar, rear, drilled, painted, less teeth	B-5C	B-5	B-5A	SS-5A	SS-5C
10	Pipe bar, fourth, drilled, painted, less teeth	B-4C	B-4	B-4A	SS-4A	SS-4C
11	Pipe bar, center, drilled, painted, less teeth	B-3C	B-3	B-3A	SS-3A	SS-3C
12	Pipe bar, second, drilled, painted, less teeth	B-2C	B-2	B-2A	SS-2A	SS-2C
13	Pipe bar, front, drilled, painted, less teeth	B-1C	B-1	B-1A	SS-1A	SS-1C
14	Side assembly, complete, left hand	PB-30BB	PB-30A	B-30A	BB-30A	B-32
15	Teeth, shoulder, 2-1/4" shank	4	4	4	4	4
16	Teeth, shoulder, 2-3/4" shank	4-1/2	4-1/2	4-1/2	4-1/2	4-1/2

ASSEMBLY INSTRUCTIONS

HARROW

Open the bundle and set up the harrow with the draw hooks down, as shown in the illustration.

CONTROL LEVER

Control lever and expanding bars are assembled at the factory. Position the expanding bar assembly on the harrow with the lever to the rear. Fasten the reach bar to the front and rear short channels. Bolt the standards on the expanding bars to the pipe bars of the harrow as shown in the illustrations. (Use the bottom clamps with the double expanding bar assembly.)