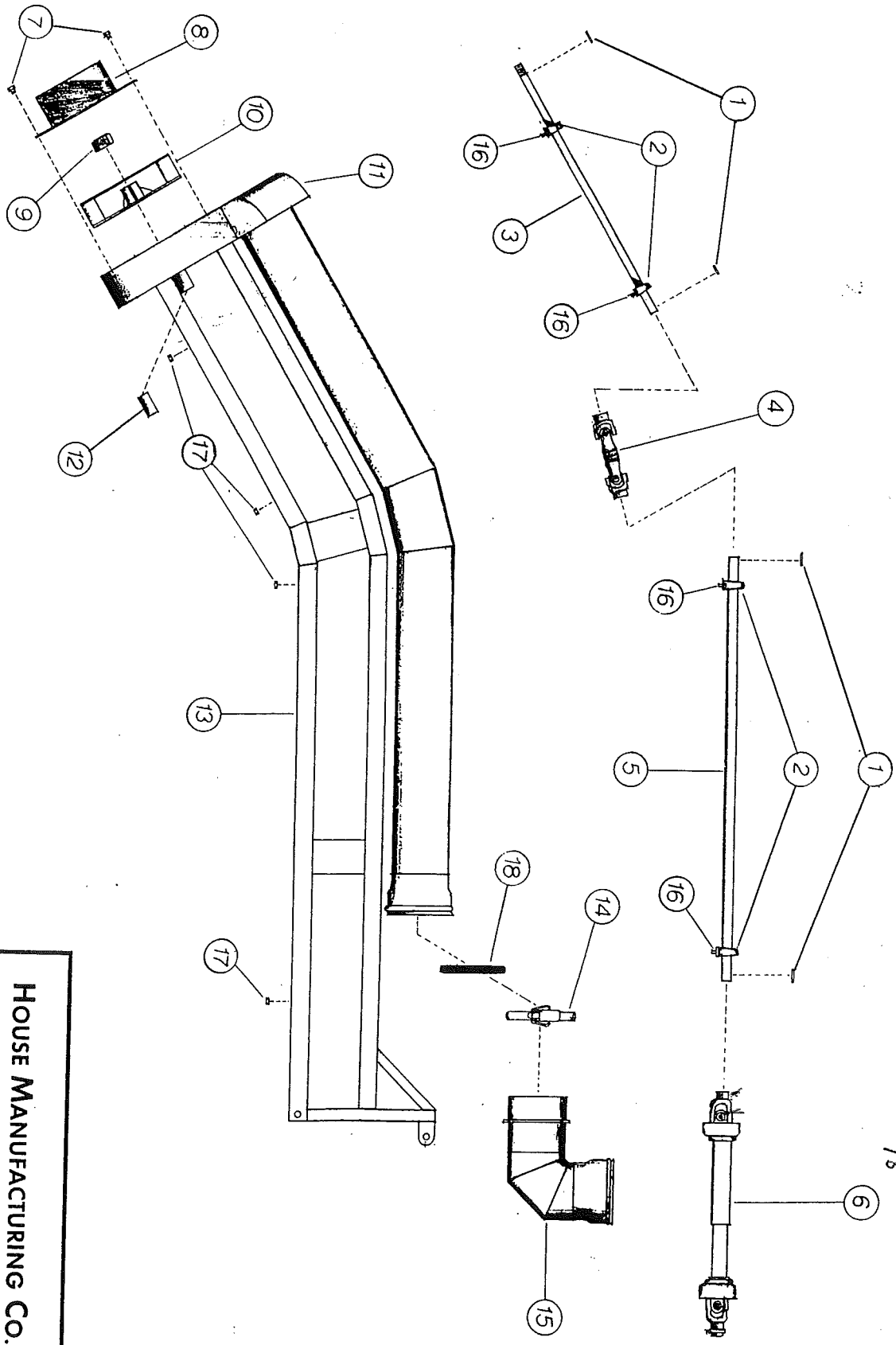


CAMELBACK III GT SERIES



*Set screw for yoke
3/8"*

HOUSE MANUFACTURING CO.
CHERRY VALLEY, AR

CAMELBACK III GT SERIES

For Description - Use Part Numbers on following pages ONLY

018411 1000's
 018411 1000's
 Marine hwy short
 For is 01935 long
 01937
 Holder #1841

NO.	QTY.	PART NO.	DESCRIPTION	NO.	QTY.	PART NO.	DESCRIPTION
1	4	01037	3/8" Sq. x 2" Lg. Keys	12	1	FF15	Marine Bearing 01841 15"
2	4	01915	Pump Shaft Bearings YAK 1 1/2"			01556	Pump Frame
3	1	B048	Back Pump Shaft			01558	Pump Frame
4	1	01960DJ	2600 Series Double Joint	13	1	01550	Pump Frame
5	1	F072	Front Pump Shaft			522-531-000	Circle Lock Clamp
6	1	01952	PTO Assembly with Shield	14	1	522-541-000	Circle Lock Clamp
7	12	01820	3/8" x 3/4" NF Bolts			522-546-000	Circle Lock Clamp
		10Q6	Strainer			171-068-006	Elbow Discharge
8	1	10Q8	Strainer	15	1	171-068-008	Elbow Discharge
		10Q10	Strainer			171-068-001	Elbow Discharge
9	1	01065	Impeller Retaining Nut	16	8	01801	1/2" x 2" NC Bolts
		C618SB	Impeller - 540 RPM	17	8	01800	1/2" NC Nuts
10	1	C818SB	Impeller - 540 RPM			453-351-000	Coupler Gaskets
		C1018SB	Impeller - 540 RPM	18	1	453-468-000	Coupler Gaskets
		01036D	Pump Bowl			453-585-000	Coupler Gaskets
		01038D	Pump Bowl				
11	1	01030D	Pump Bowl				

01950

HOUSE MANUFACTURING CO.
 CHERRY VALLEY, AR

CTH SERIES PARTS LIST

PRICES EFFECTIVE MARCH 1, 1997

ITEM#	HOUSE PART #	PART DESCRIPTION	MODEL	REQ'D
6 -	PUJ01850	SHAFT, P.T.O. 55 SERIES 540 RPM	ALL	1
5 -	MPU01452	SHAFT, FRONT 67 1/2" x 2"	ALL	1
4 -	PUJ01965	JOINT, DOUBLE 55N	ALL	1
3 -	MPU01453	SHAFT, REAR 51 3/4" - 2"	ALL	1
10 -	MPU01414	IMPELLER, 19 3/4" DIA. 540 RPM, 5 BLADE 2" BORE	CT6H	1
"	MPU01416	IMPELLER, 19 3/4" DIA. 540 RPM, 5 BLADE, 2" BORE	CT8H	1
"	MPU01418	IMPELLER, 19 3/4" DIA. 540 RPM, 5 BLADE, 2" BORE	CT10H	1
"	MPU01420	IMPELLER, 19 3/4" DIA. 540 RPM, 5 BLADE, 2" BORE	CT12H	1
"	MPU01422	IMPELLER, 19 3/4" DIA. 540 RPM, 5 BLADE, 2" BORE	CT16H	1
9 -	PBN01064	NUT, IMPELLER RETAINER	ALL	1
1 -	PBN01050	KEY, SHAFT	ALL	4
8 -	MPU01476	STRAINER	CT6H/CT8H	1
"	MPU01477	STRAINER	CT10H	1
"	MPU01474	STRAINER	CT12H	1
"	MPU01475	STRAINER	CT16H	1
2 -	PBR01902	BEARING, 2" RAK UCP211 PILLOW BLOCK	ALL	3
12 -	PBR01942	BEARING, MARINE - 2" X 8"	ALL	1
	PBR01932	PINS, LIFT	ALL	2
	PBR01933	NUT, LIFT PIN	ALL	2

OPTIONS

MPU01415	IMPELLER, 17" DIA, 1000 RPM, 5 BLADE, 2" BORE	CT6H	1
MPU01417	IMPELLER, 17" DIA, 1000 RPM, 5 BLADE, 2" BORE	CT8H	1
MPU01419	IMPELLER, 17" DIA, 1000 RPM, 5 BLADE, 2" BORE	CT10H	1
MPU01421	IMPELLER, 17" DIA, 1000 RPM, 5 BLADE, 2" BORE	CT12H	1
MPU01423	IMPELLER, 17" DIA, 1000 RPM, 5 BLADE, 2" BORE	CT16H	1
MPU01406	IMPELLER, 14" DIA, 1000 RPM, 5 BLADE, 2" BORE	CT6H	1
MPU01407	IMPELLER, 14" DIA, 1000 RPM, 5 BLADE, 2" BORE	CT8H	1
MPU01408	IMPELLER, 14" DIA, 1000 RPM, 5 BLADE 2" BORE	CT10H	1
PUJ01955	SHAFT, P.T.O. 55 SERIES 1000 RPM	ALL	1