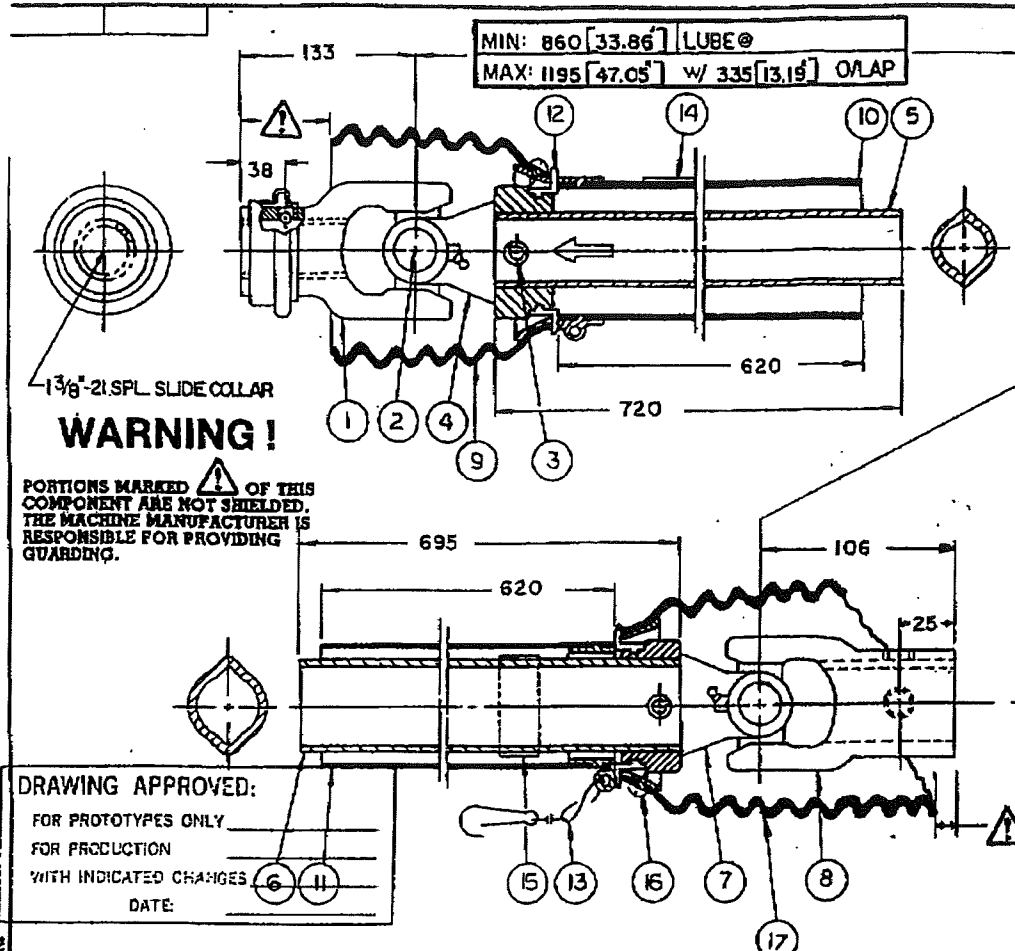


# 2500 SERIES WALTERSCHEID - 2" Round Shaft w/

TOTAL P.02



MIN: 860 [33.86] LUBE@  
MAX: 1195 [47.05] w/ 335 [13.19] OLAP

1 3/8" - 21 SPL. SLIDE COLLAR

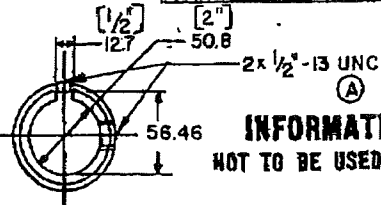
**WARNING!**

PORTIONS MARKED OF THIS COMPONENT ARE NOT SHIELDED. THE MACHINE MANUFACTURER IS RESPONSIBLE FOR PROVIDING GUARDING.

DRAWING APPROVED:  
FOR PROTOTYPES ONLY \_\_\_\_\_  
FOR PRODUCTION \_\_\_\_\_  
WITH INDICATED CHANGES 6 11  
DATE: \_\_\_\_\_

BILL OF MATERIALS			
QTY	WAL NUMBER	CUSTOMER	DESCRIPTION
1	1	PUJO2093	YOKE 1 3/8" - 21 SPL.
1	2	PUJO2095	CROSS & BEARING
1	2	PUJO2096	SPRING PIN 10 X
1	1	PUJO2097	INBOARD YOKE 1
1	1	PUJO2098	INNER PROFILE 1
1	1	PUJO2099	OUTER PROFILE 2
1	1	PUJO2100	INBOARD YOKE 2
1	1	PUJO2101	YOKE 2" R.B. 1/2" R.V.
1	1		SHIELD CONE 7 F
1	1	PUJO2103	OUT. SHIELD TUBE
1	1	PUJO2104	INN. SHIELD TUBE
1	2	PUJO2064	BEARING RING S
1	1	PUJO2065	SAFETY CHAIN
1	1	PUJO2067	DECAL OUT-IN ITE
1	1	PUJO2068	DECAL INN-IN ITE
1	2		SCREW - IN ITEM 9
1	1	PUJO2105	SHIELD CONE 10 R
1	1	PUJO2086	AS COL. KIT - IN ITE

02107 - 1 1/2" Round Bore



**INFORMATION ONLY**  
NOT TO BE USED FOR ASSEMBLY

A CORRECT SET NEW		ROMMY 30
REL FOR PRODUK		
REV	CHANGE DESCRIPTION	BY DATE
DESCRIPTION: W2500-SC25		
860 - 1s/2s		
362430/382192		
CUSTOMER	HOUSE MFG.	WALTERSCHEID, INC.
CUSTOMER P.O.	167	390411

THIS DRIVE SHAFT EXCEEDS ASAE S-331.4 CATEGORY 5 (1) REGULAR (1) HEAVY DUTY SPECIFICATION	APPLICATION	H. D. PUMPS
1000		

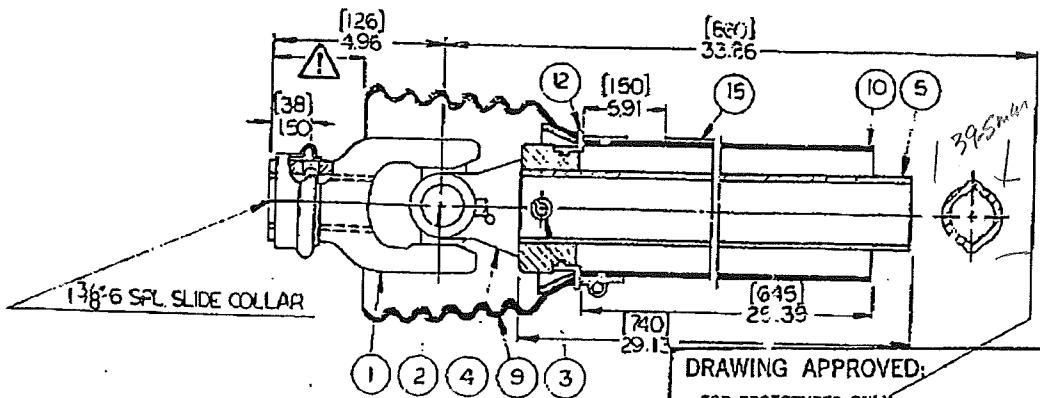
8705803517 P.02/02

HOUSE MFG.

JUN-15-1999 03:53

- For 1 1/2" Round Shaft

TOTAL P.03



BILL OF MATERIALS			
ITEM	QTY	PART NUMBER / CUSTOMER #	DESCRIPTION
1	1	PUJO2053	YCKE 1 3/8" 6 SPL.
2	2	PUJO2054	CROSS BEARING KIT
3	2	PUJO2055	SPRING PIN 10x8C
4	1	PUJO2056	INBOARD YCKE 1b
5	1	PUJO2057	INNER PROFILE 1b
6	1	PUJO2058	OUTER PROFILE 2a
7	1	PUJO2059	INBOARD YCKE 2a
8	1	PUJO2060	YCKE 1 1/2 RB 3/8 KWY
9	1	PUJO2061	SHIELD CONE 6 RB
10	1	PUJO2062	OUT. SHIELD TUBE OVL.
11	1	PUJO2063	INN. SHIELD TUBE OVL.
12	2	PUJO2064	BEARING RING SC24
13	1	PUJO2065	SAFETY CHAIN
14	1	PUJO2066	SHIELD CONE 10 RB
15	1	PUJO2067	DECAL OUT-IN ITEM 10
16	1	PUJO2068	DECAL INN-IN ITEM 6
17			
	1	PUJO2069	QD COL KIT-IN ITEM 1

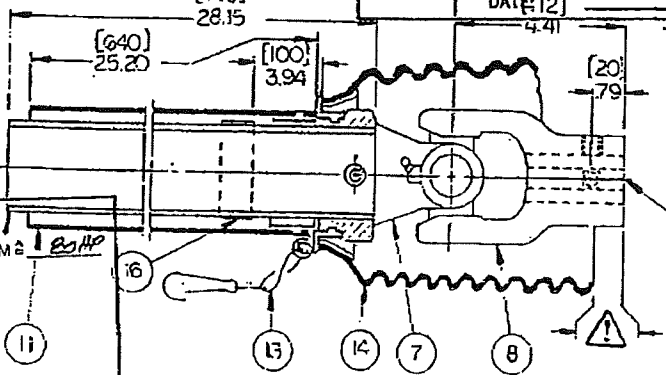
SUJT 380907  
" 312410

" 019518  
" 380469

DRAWING APPROVED:  
FOR PROTOTYPES ONLY \_\_\_\_\_  
FOR PRODUCTION \_\_\_\_\_  
WITH INDICATED CHANGES \_\_\_\_\_  
DATE: 12 \_\_\_\_\_

**WARNING!**  
PORTIONS MARKED OF THIS COMPONENT ARE NOT SHIELDED. THE MACHINE MANUFACTURER IS RESPONSIBLE FOR PROVIDING GUARDING.

HP - RATING:  
640 RPM @ 51 HP 1000 RPM @ 80 HP  
STATIC TORQUE STRENGTH OF SHAFT:  
Mp = 29,355 IN-LB (6) (11)  
MAX. EXTENDED LENGTH IN OPERATION:  
MAX = 47.6 IN



**INFORMATION ONLY**  
**NOT TO BE USED FOR ASSEMBLY**

8, 10 & 12" LD PUMPS		TOLERANCE UNLESS OTHERWISE SPECIFIED
		ACHS SYSTEM METRIC SYSTEM
RELEASED BY: [Signature]	DATE: 10/11/11	THE POINT IS THE NUMBER. IF VALUES ARE NOT LISTED, THEY MUST BE USED TO PREVENT TO OUR INTEREST.
REV: CHANGE DESCRIPTION BY: DATE	CUSTOMER: CUSTOMER #	
HOUSE MFG.	<b>WALTERSHEID</b>	
DESCRIPTION: W2400-SC24-860-15/2a	GRABIN: [Signature]	PAR: 1364400
380907/380469	SCALE: NONE	W12204

THIS DRIVESHAFT EXCEEDS ASAE 5-331.3 CATEGORY 4 REGULAR DUTY SPECIFICATION