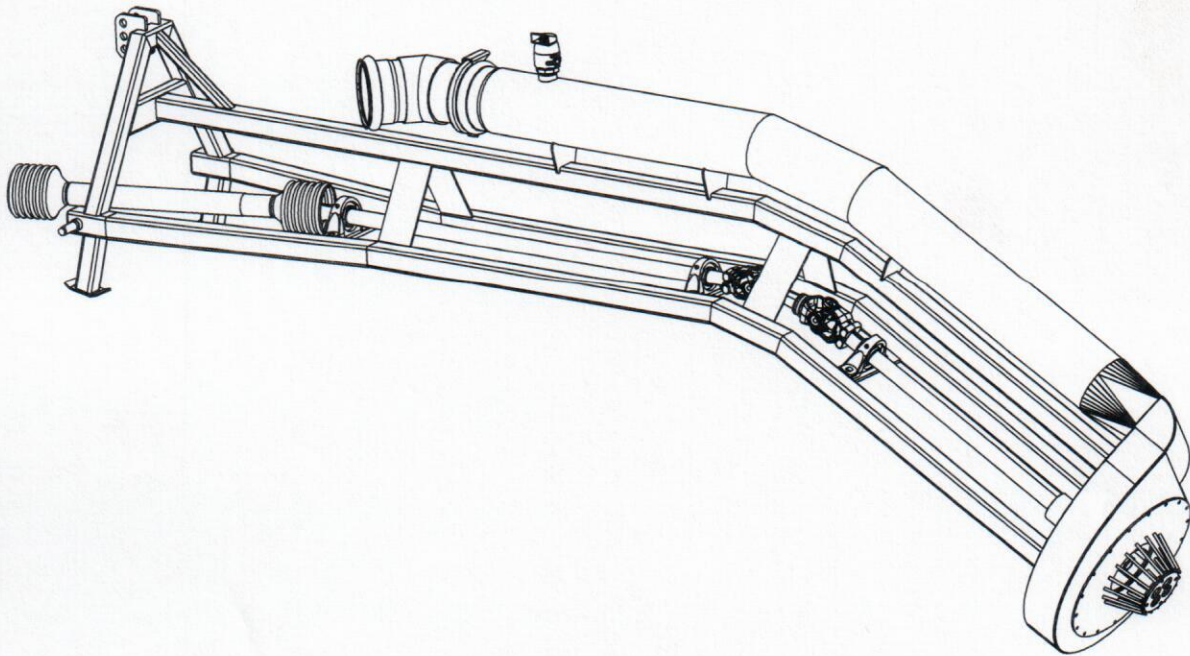
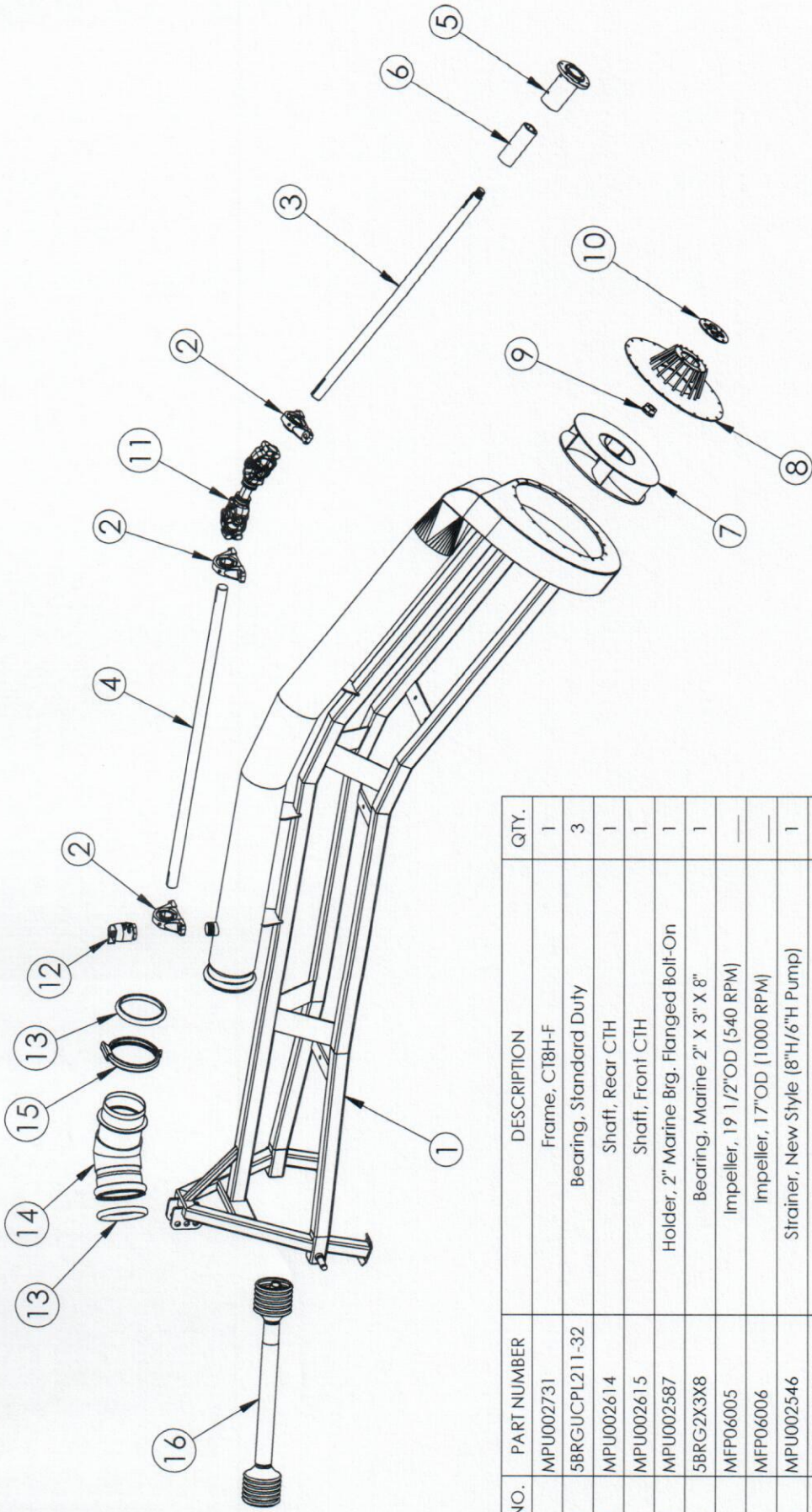




CT8H-F
8" CAMELBACK III PUMP
Parts List & Drawings
11/25/2018



*DO NOT
OPERATE
PUMP
UNLESS
IT IS IN
WATER*



ITEM NO.	PART NUMBER	DESCRIPTION	QTY.
1	MPU002731	Frame, CT8H-F	1
2	5BRGUCPL211-32	Bearing, Standard Duty	3
3	MPU002614	Shaft, Rear CTH	1
4	MPU002615	Shaft, Front CTH	1
5	MPU002587	Holder, 2" Marine Brg. Flanged Bolt-On	1
6	5BRG2X3X8	Bearing, Marine 2" X 3" X 8"	1
7	MFP06005	Impeller, 19 1/2"OD (540 RPM)	—
7	MFP06006	Impeller, 17"OD (1000 RPM)	—
8	MPU002546	Strainer, New Style (8"H/6"H Pump)	1
9	5NUT112LHBRZ	Nut, Headnut 1-1/2" 10TPI LH Brnz	1
10	MPU002500	Plate, Outboard Strainer	1
11	MPU002410	Assy, Double Joint 2" (Weaster)	1
12	5PMP04801000	Vent, Air	1
13	5PMP1622-01	Gasket, 8" Rubber	2
14	MFP01396	Elbow, Circle Lock 45 Degree 8"	1
15	5PMP2123-03	Lock, Circle Ring 8"	1
16	5UJT392688	Shaft, PTO 2RB X 1.375" 6-Spline 2500 (540)	—
16	5UJT392686	Shaft, PTO 2RB X 1.375" 21-Spline 2500 (Small 1000)	—
16	5UJT392689	Shaft, PTO 2RB X 1.75" 20-Spline 2500 (Large 1000)	—

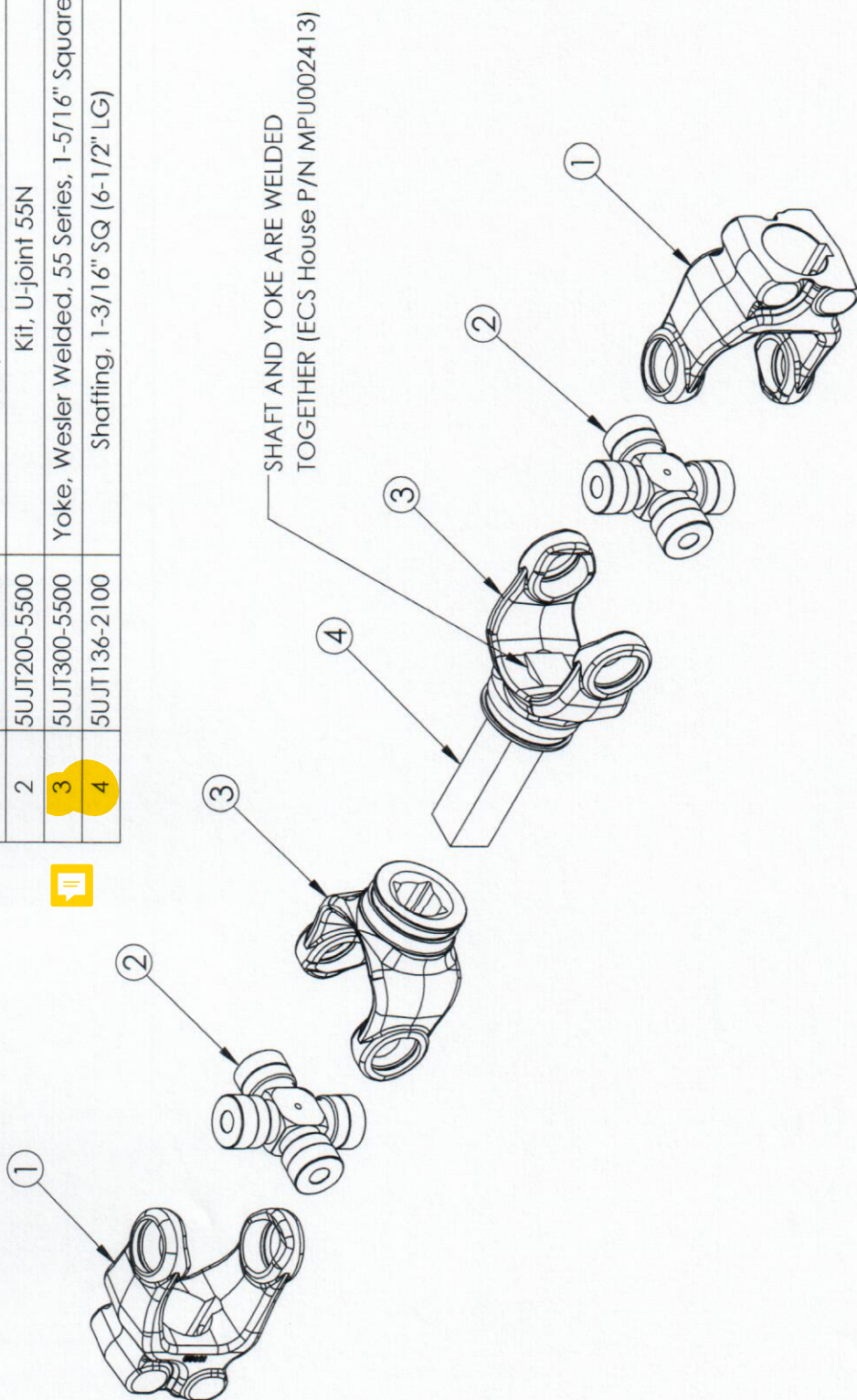


SIZE	DWG. NO.	REV
A	CT8H-F	
	11/28/2018	SHEET 1 OF 1

*Options: 90 DEG ELBOW (MFP01391)
 FLEX HOSE KIT (MPU002497)

*

ITEM NO.	PART NUMBER	DESCRIPTION	QTY.
1	5UJT800-5532	Yoke, Weasler 55 Series 2"	2
2	5UJT200-5500	Kit, U-joint 55N	2
3	5UJT300-5500	Yoke, Wesler Welded, 55 Series, 1-5/16" Square	2
4	5UJT136-2100	Shaffing, 1-3/16" SQ (6-1/2" LG)	1



SIZE	DWG. NO.	REV
A	MPU002410	
	6/24/2019	SHEET 1 OF 1

DOUBLE JOINT ASSEMBLY 2" (WEASLER)