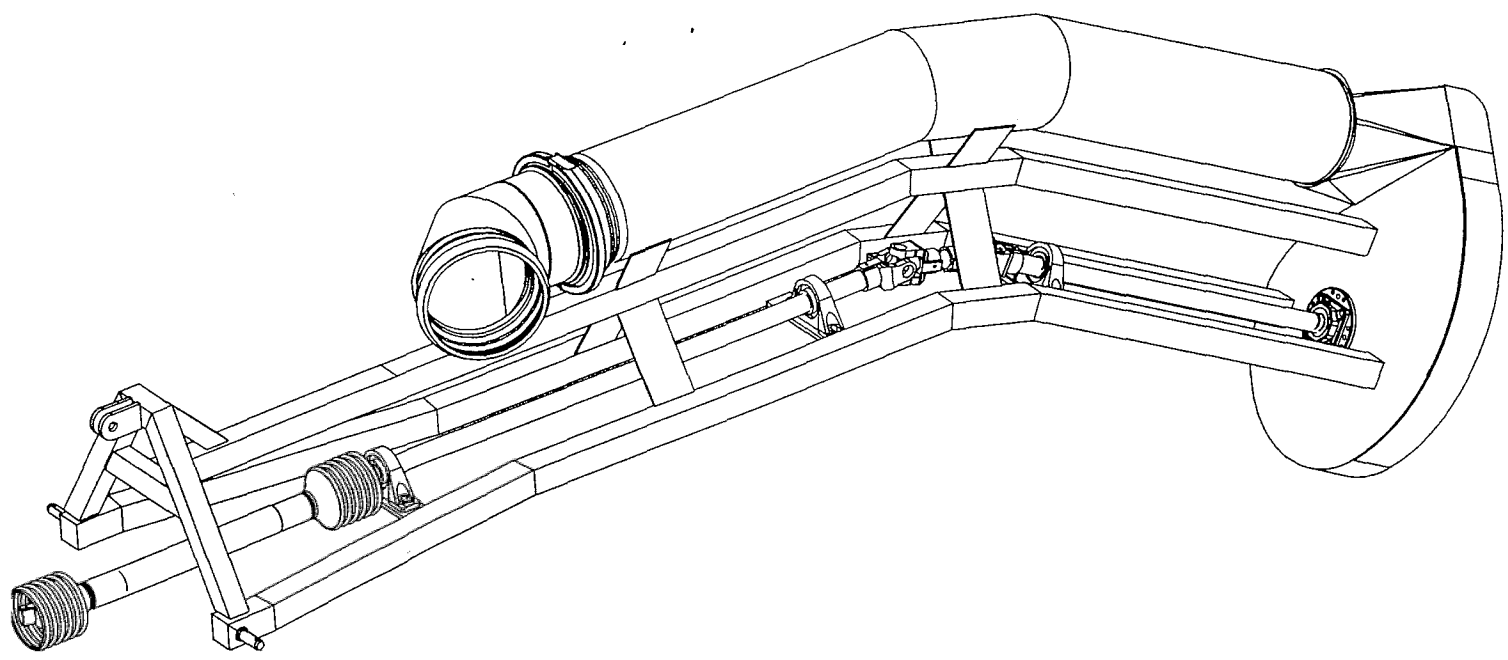


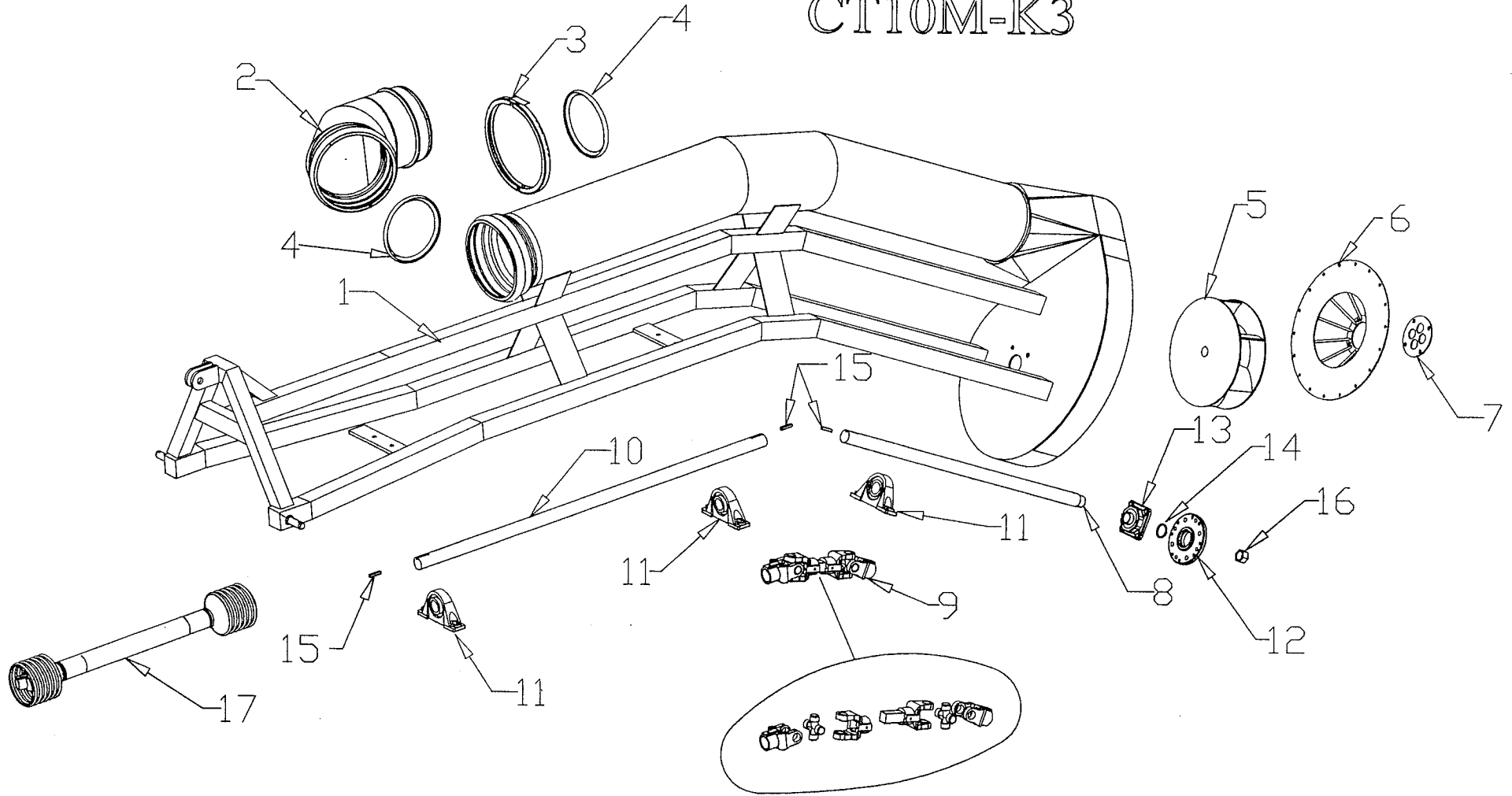
Manufacturing Company, Inc.

CT10M-K3

SERIAL# \_\_\_\_\_

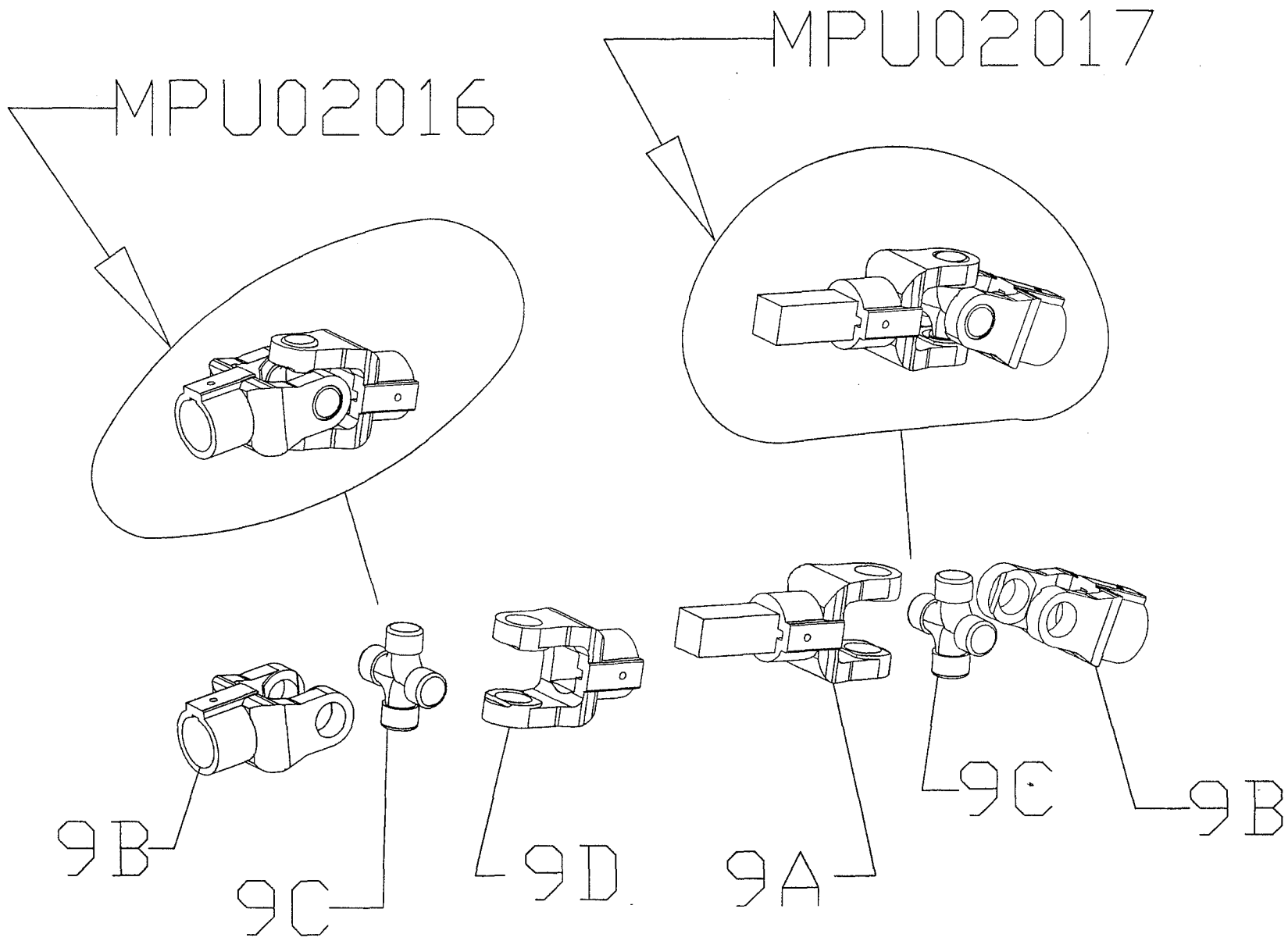


# CT10M-K3



CT10M-K3			
REF#	DESCRIPTION	QTY	PART NUMBER
1	Frame, CT10M	1	MPU002618K3
2	Elbow 10" 45 Deg.	1	MFP01397
3	Lock, 10" Circle Ring	1	5PMP2123-04
4	Gasket, Rubber	1	5PMP1624-01
5	Impeller, 17"	1	MFP06036
6	Strainer, CT10M Pump	1	MPU002560
7	Plate, Outer Strainer Intake	1	MPU002500
8	Shaft, Rear 1-1/2"x4'-1-3/4"	1	MPU002616
9	Assembly, Double Joint	1	PUJ01966
10	Shaft, Front 1-1/2"x 5'-6"	1	MPU002617
11	Bearing, 1-1/2"	3	5BRGUCPL208-24
12	Plate, Seal	1	MPU002613R
13	Greased, Bearing	1	5BRG127599
14	Seal, Tail Bearing	1	5SLS0150-1284
15	Key, Shaft	3	MFP02998
16	Nut 1-1/4" LH	1	5NUT1 1/4-10LHBRZ
17	PTO, 1-1/2"x 1-3/8 (6) 2500		5UJT392687
17	PTO, 1-1/2"x 1-3/8 (6) 44		5UJT14004424

PUJ01966			
9A	Yoke / W Shaft	1	PUJ02004
9B	Yoke	2	5UJT34400183
9C	Universal Joint	2	5UJTHM431
9D	Yoke	1	5UJT177-4400



CT10M-K3			
REF#	DESCRIPTION	QTY	PART NUMBER
12	Plate, Seal	1	MPU002613R
13	Greased, Bearing	1	5BRGSSUCF210-32
14	Seal, Tail Bearing	1	5SLS0200-8817H1L5
18	Bolt, 3/8"x 1-1/2" Plow	18	5BLTPL38112Z
18A	Washer 3/8" Flat	30	5WSHFLT38S
18B	Washer, 3/8" Lock	30	5WSHLOCK38S
18C	Nut, 3/8" Brs	26	5NUT38HXBRS
19	Bolt, 3/8"x 1/2"	4	5BLT3834NCHXZ
19A	Washer 1/2" Flat	4	5WSHFLT12S
19B	Washer, 1/2" Lock	4	5WSHLOCK12S
20	Bolt, 5/8"x 1-1/2"	4	5BLT58112NCHXZ
20A	Washer, 5/8" Lock	4	5WSHLOCK58S
20B	Washer 5/8" Flat	4	5WSHFLT58S

