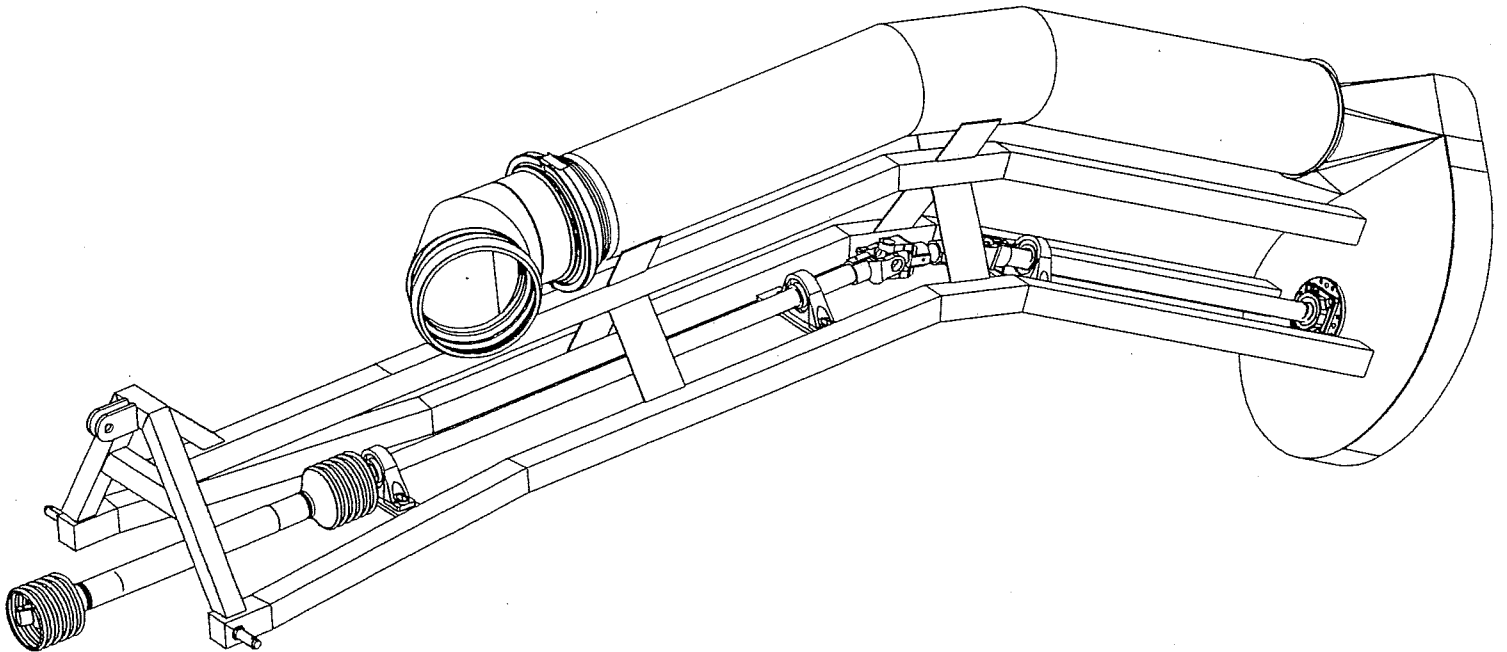


Manufacturing Company, Inc.

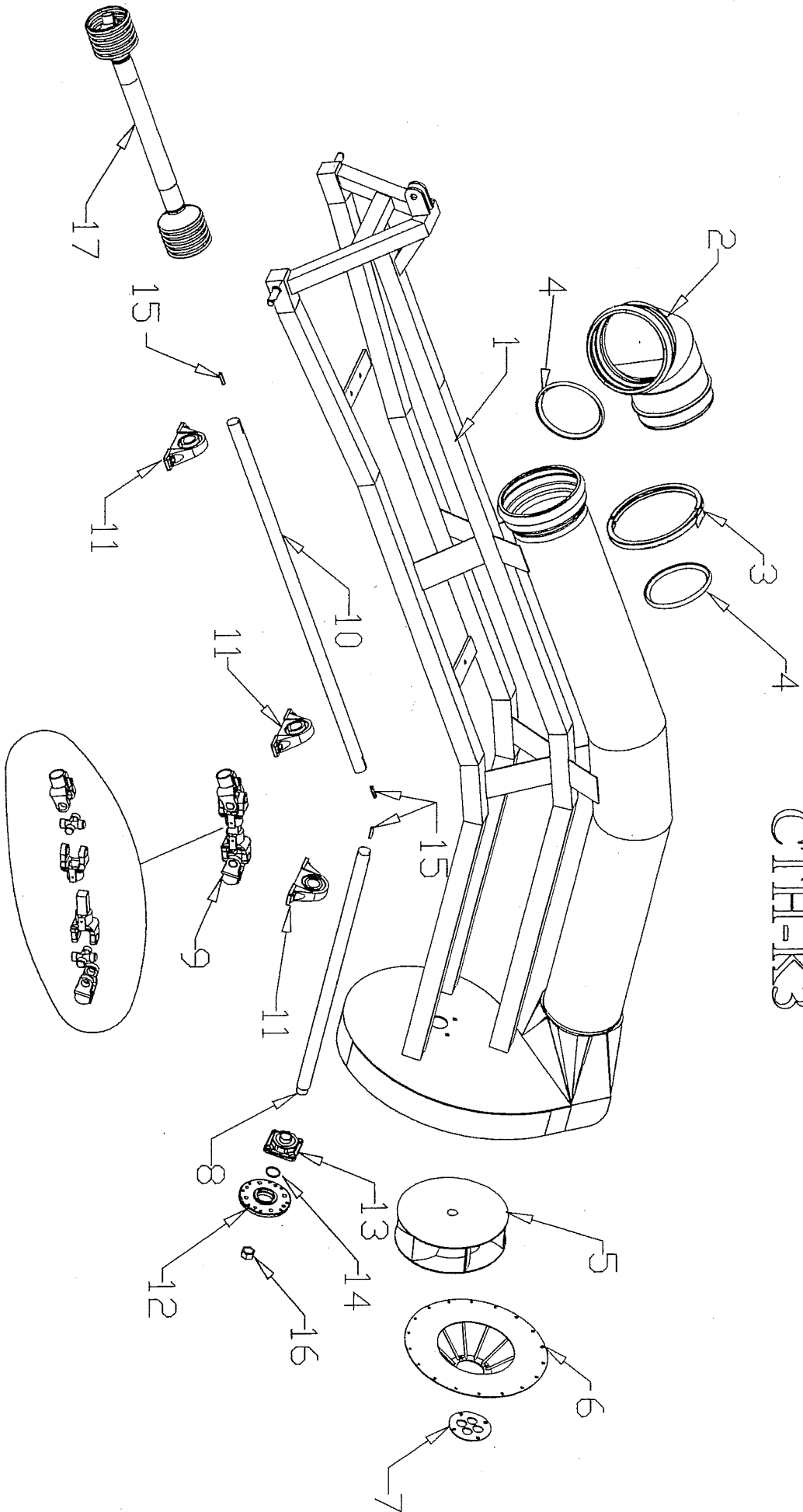
CT\_H-K3

SERIAL# \_\_\_\_\_



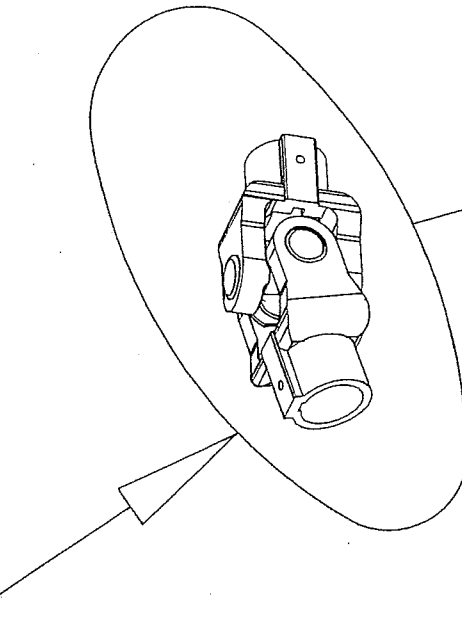
	CTH-K3		CT8H-K3		CT10H-K3		CT12H-K3	
REF#	DESCRIPTION	QTY	PART NUMBER	QTY	PART NUMBER	QTY	PART NUMBER	
1	Frame	1	MPU002731K3	1	MPU002732K3	1	MPU002636K3	
2	Elbow 45 Deg.	1	MFP01396	1	MFP01397	1	MFP01398	
3	Lock, Circle Ring	1	5PMP2123-03	1	5PMP2123-04	1	5PMP2123-05	
4	Gasket, Rubber	1	5PMP1622-01	1	5PMP1624-01	1	5PMP1625-01	
5	Impeller, 14"		MFP06007					
5	Impeller, 15-1/2"				MFP06011		MFP06015	
5	Impeller, 17"		MFP06006		MFP06010		MFP06014	
5	Impeller, 19-1/2 "		MFP06005		MFP06009		MFP06013	
6	Strainer, Intake	1	MPU002546	1	MPU002558	1	MPU002535	
7	Plate, Outer Strainer Intake	1	MPU002500	1	MPU002500	1	MPU002500	
8	Shaft, Rear 2"x 4'-3-3/4"	1	MPU002614	1	MPU002614	1	MPU002614	
9	Assembly, Double Joint	1	PUJ01990	1	PUJ01990	1	PUJ01990	
10	Shaft, Front 2"x 5'-7-1/2"	1	MPU002615	1	MPU002615	1	MPU002615	
11	Bearing, 2"	3	5BRGUCP211-32	3	5BRGUCP211-32	3	5BRGUCP211-32	
12	Plate, Seal	1	MPU002573R	1	MPU002573R	1	MPU002573R	
13	Greased, Bearing	1	5BRGSSUCF210-32	1	5BRGSSUCF210-32	1	5BRGSSUCF210-32	
14	Seal, Tail Bearing	1	5SLS0200-8817H1L5	1	5SLS0200-8817H1L5	1	5SLS0200-8817H1L5	
15	Key, Shaft	3	MFP02998	3	MFP02998	3	MFP02998	
16	Nut, 1-1/2" Bronze	1	5NUT1 1/2-10LHBRZ	1	5NUT1 1/2-10LHBRZ	1	5NUT1 1/2-10LHBRZ	
17	PTO, 2"x 1-3/4 (20) 2500		5UJT392689		5UJT392689		5UJT392689	
17	PTO, 2"x 1-3/8 (21) 2500		5UJT392686		5UJT392686		5UJT392686	
17	PTO, 2"x 1-3/8 (6) 2500		5UJT392688		5UJT392688		5UJT392688	

# СТНН-К3

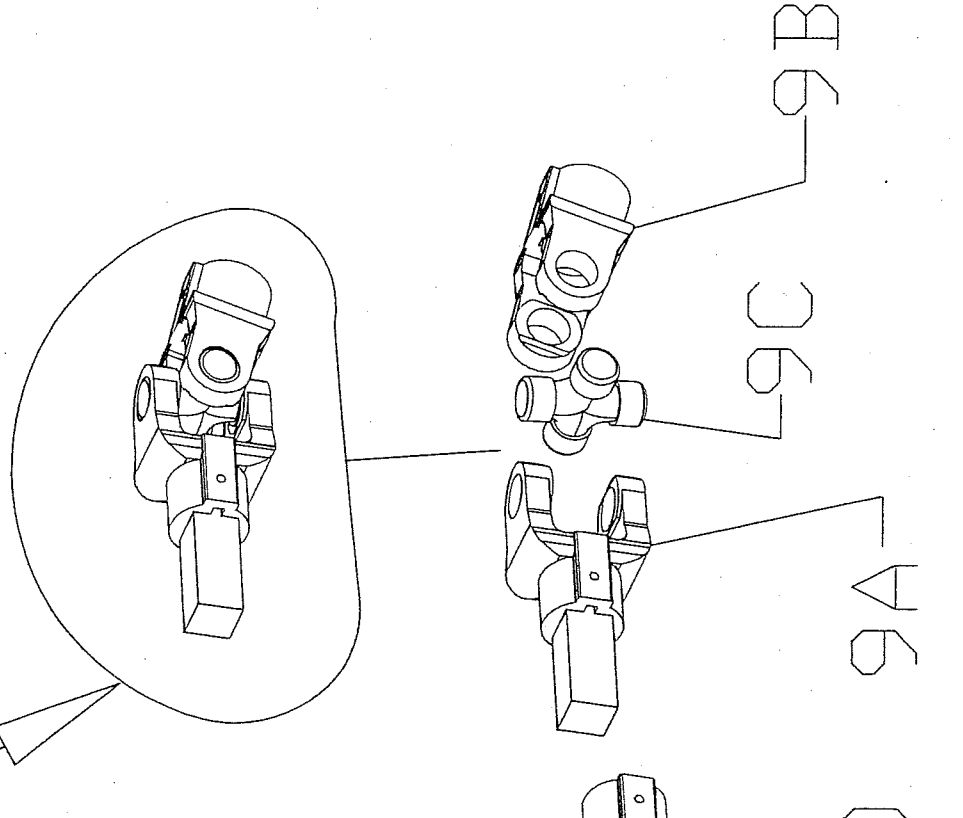


PUJ01990			
9A	Yoke / W Shaft	1	PUJ02006
9B	Yoke	2	5UJT184-5532
9C	Universal Joint	2	5UJT302-5500
9D	Yoke	1	5UJT177-5500

MPU02020



MPU02021



CTH-K3			
REF#	DESCRIPTION	QTY	PART NUMBER
12	Plate, Seal	1	MPU002573R
13	Greased, Bearing	1	5BRGSSUCF210-32
14	Seal, Tail Bearing	1	5SLS0200-8817H1L5
18	Bolt, 3/8"x 1-1/2" Plow	18	5BLTPL38112Z
18A	Washer 3/8" Flat	30	5WSHFLT38S
18B	Washer, 3/8" Lock	30	5WSHLOCK38S
18C	Nut, 3/8" Brs	26	5NUT38HXBRS
19	Bolt, 3/8"x 1/2"	4	5BLT3834NCHXZ
19A	Washer 1/2" Flat	4	5WSHFLT12S
19B	Washer, 1/2" Lock	4	5WSHLOCK12S
20	Bolt, 5/8"x 1-1/2"	4	5BLT58112NCHXZ
20A	Washer, 5/8" Lock	4	5WSHLOCK58S
20B	Washer 5/8" Flat	4	5WSHFLT58S

