

SERIAL NUMBER LOCATED ON WELDED PLATE, JUST BELOW MODEL NO. DECAL

ALL DECALS - 213

Herd
MODEL 2440
BROADCASTER



Warning Decal - If missing Call 219/753-6311 for free replacement.

CAUTION: KEEP all guards and shields in place at all times. Disengage power take-off and shut off tractor engine before making any adjustments or repairs to seeder. KEEP hands, fingers and loose clothing well away from any and all moving parts at all times.

PARTS FOR MODEL 2440 BROADCAST SPREADER SHOWN IN PHOTO:

WHEN ORDERING PARTS, BE SURE TO GIVE BOTH MODEL NUMBER AND SERIAL NUMBER. SEE ABOVE LOCATION FOR SERIAL NUMBER.

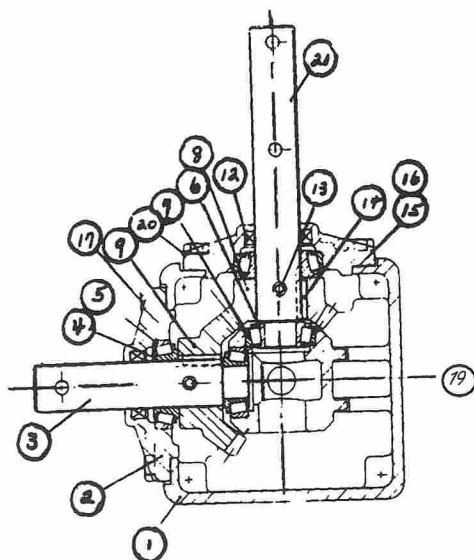
<u>NUMBER</u>	<u>PART NO.</u>		<u>NUMBER REQUIRED</u>
1.	12-99	DECAL - MODEL NO. 2440	1
2.	12-100	DECAL FOR HYDRAULIC OPENING CHART	1
3.	12-102	FAN BLADE W/BOLT	4
4.	12-106	SEED GATE, OR CONTROL PLATE, SLIDE OR GUIDE	2
5.	12-107	1/4 X 1/2" HEXHEAD CAPSCREW	4
6.	12-111	5/16 X 2" SPRING PIN FOR DRIVEN END OF TUMBLING SHAFT AND FAN	2
7.	12-144	BASE PLATE, ALUMINUM CIRCULAR, AT BOTTOM OF HOPPER	1
8.	12-145	FAN BASE - 1" BORE	1
9.	12-147	REGULAR AGITATOR COMPLETE W/BOLT & NUT, FOR 1" SHAFT	1
10.	12-148	FAN, COMPLETE W/SPRING PIN - 1" BORE (ASSEMBLY "B")	1
11.	12-2000	GEARBOX, COMPLETE FOR TRACTORS WITH 540 RPM (SAME AS 12-151)	1
12.	12-152	1" BORE STEEL SPACE WASHER - USED IN HOPPER ON FAN SHAFT	1
13.	12-154	"Z" ANGLES USED TO CARRY GEAR BOX - LEFT SIDE	2
	12-153	"Z" ANGLES USED TO CARRY GEAR BOX - RIGHT SIDE (NOT SHOWN)	2
14.	12-158	LIME AGITATOR W/BOLT - FOR USE IN SPREADING DOLOMITE AND DEHYDRATED LIME (OPTIONAL)	1

15.	12-159	"L" BASE CLAMP - LOWER	2
15A.	12-160	"L" BASE CLAMP - UPPER, FOR HOLDING CIRCULAR BASE PLATE TO HOPPER	2
16.	12-163	FERTILIZER INSTRUCTION DECAL	1
17.	12-207	DEFLECTOR - 24" LONG	1
18.	12-223	HOPPER BASE RING (MUST BE WELDED TO HOPPER)	1
19.	12-418	1/2 X 3" MACHINE BOLT W/NUT & WASHER	8
20.	12-419	3/8 X 1" MACHINE BOLT - HARDENED	8
21.	12-420	5/16 X 3/4" CARRIAGE BOLT W/NUT & LOCKWASHER	8
22.	12-422	5/16 X 1-3/4" MACHINE BOLT W/NUT - USED IN REGULAR AGITATOR & LIME AGITATOR.....	1
23.	12-989C	SEEDING CHART DECAL	1
24.	12-1003	1" PIN - PINS OPENING CONTROL ARM TO BRACKET	1
25.	12-1004	3" HAIRPIN COTTER - FOR 12-1003 1" PIN	1
26.	12-1007	BRACKET - USED TO FASTEN CABLE TO BASE PLATE	1
27.	12-1008	1/4 X 3/4" HEXHEAD CAPSCREW	4
28.	12-1010	OPENING PLATE WITH CLEVIS, 5/16 X 3/4 SPRING PIN AND 5/16" DRILLED NUT SPACER	1
29.	24-1011	HOPPER FOR 2440	1
30.	24-1012	BASE FRAME FOR 2440 (SOLD AS UNIT ONLY)	1
31.	24-1013	GEAR CASE CARRYING FRAME FOR 2440 (SOLD AS UNIT ONLY).....	1
32.	24-1014	OPENING CONTROL ARM ASSEMBLY WITH 1-1/4" X 3/16" POINTER & OPENING BRACKET ATTACHED	1
33.	24-1015	1" X 6" PIN.....	1
34.	24-1016	BUSHING FOR 24-1015 PIN (1" I.D. X 1-1/4" O.D.)	1
35.	24-1017	1-1/8" X 6" PIN	2
36.	24-1018	BUSHING FOR 24-1017 PIN (1-1/8" I.D. X 1-3/8" O.D.)	2
37.	12-1112	CLEVIS, COMPLETE WITH PIN & CLEVIS PIN	1
38.	12-1091	WARNING DECAL	1
39.	12-1115	HAIRPIN COTTER (1-1/4" - USED ON PIVOT TERMINAL CLEVIS PIN	4
40.	12-1124	PULL SPRING - FOR 48" CABLE.....	1
41.	24-1131P	SHIELD FOR TRACTOR END OF TUMBLING SHAFT 24-1133 (FEMALE END OF SHIELD) ...	1
42.	24-1132P	SHIELD FOR BROADCASTER END OF TUMBLING SHAFT 24-1133 (MALE END OF SHIELD)	1
43.	24-1133P	33" SHIELD TUMBLING SHAFT W/1" DRIVEN END, FOR TRACTORS WITH 1-3/8" PTO AND 540 RPM	1
44.	24-1133FP	FEMALE OR BROADCASTER END ONLY OF ABOVE TBG. SHAFT	1
45.	24-1133MP	MALE OR TRACTOR END ONLY OF ABOVE TBG. SHAFT	1
46.	12-1148	48" PUSH-PULL CABLE FOR REMOTE CONTROL (*)	1
47.	12-1024	OPENING PLATE ONLY FOR HYDRAULIC CONTROL	1
48.	12-1025	CLEVIS, SPRING PIN AND SPACER ONLY	1
49.	12-78	REPAIR KIT FOR TUMBLING SHAFT 24-1133	2
50.	12-50	NYLON BEARING FOR TUMBLING SHAFT 24-1133	2
51.	12-51	BEARING RETAINER FOR TUMBLING SHAFT 24-1133	2
52.	12-96	YOKE ONLY, FOR TRACTOR HALF TBG. SHAFT 24-1133	1
53.	12-97	YOKE ONLY, FOR BROADCASTER HALF TBG. SHAFT 24-1133.....	1
54.	12-1123	STAINLESS STEEL COMPRESSION SPRING-USED BETWEEN AGITATOR AND WASHER ...	1
55.	12-1126	1/4" X 5/16" HEXHEAD CAPSCREW	1
	12-206	LARGE "HERD SURE-FEED BROADCASTER" DECAL (NOT SHOWN)	1

(* WARRANTED AGAINST DEFECTS ONLY)

(Cylinder not furnished)

Cylinder to be used: 8 inch stroke with 28.33 inch extended length.



PARTS FOR 12-2000 (OR 12-151 GEARBOX WITH 1" SHAFTS:

FOR MODEL 2440

1.	12-2017	HOUSING (12-211A-1)	1
2.	12-2016	CAP (12-211A-3)	2
3.	12-2018	SHORT SHAFT, DRIVE (12-211A-2S1)	1
4.	12-2013	BEARING CONE - LARGE (12-211A-8A) (L44643)	2
5.	12-2012	BEARING CUP - LARGE (12-211A-8B) (44610)	2
6.	12-2011	BEARING CONE - SMALL (12-211A-9A) (LM11749)	2
7.	12-2010	BEARING CUP - SMALL (12-211A-9B) (LM11710)	2
8.	12-2014	GEAR, STEEL, 14-TOOTH (12-211A-14BS)	1
9.	12-2019	GEAR, STEEL, 19-TOOTH (12-211A-19BS)	1
12.	12-2009	OIL SEAL (12-10-7)	2
13.	12-2005	ROLL PIN (12-10-10)	2
14.	12-2008	KEY (12-211A-15)	2
15.	12-2006	GASKET - .015 (12-10-11)	VAR.
16.	12-2007	GASKET - .005 (12-10-12)	VAR.
17.	12-2002	5/16" x 1" HEXHEAD CAPSCREW (12-211A-13)	8
19.	12-2003	VENTED PIPE PLUG (12-211A-14V)	1
20.	12-2001	5/16" LOCKWASHER (12-211A-16)	8
21.	12-2015	LONG SHAFT - VERTICAL DRIVEN (12-211A-2S2)	1
	12-2020	SHIM.....	VAR