



Agroparts: [www.HARDI-INTERNATIONAL.com](http://www.HARDI-INTERNATIONAL.com)

ZATURN ZATURN Axial

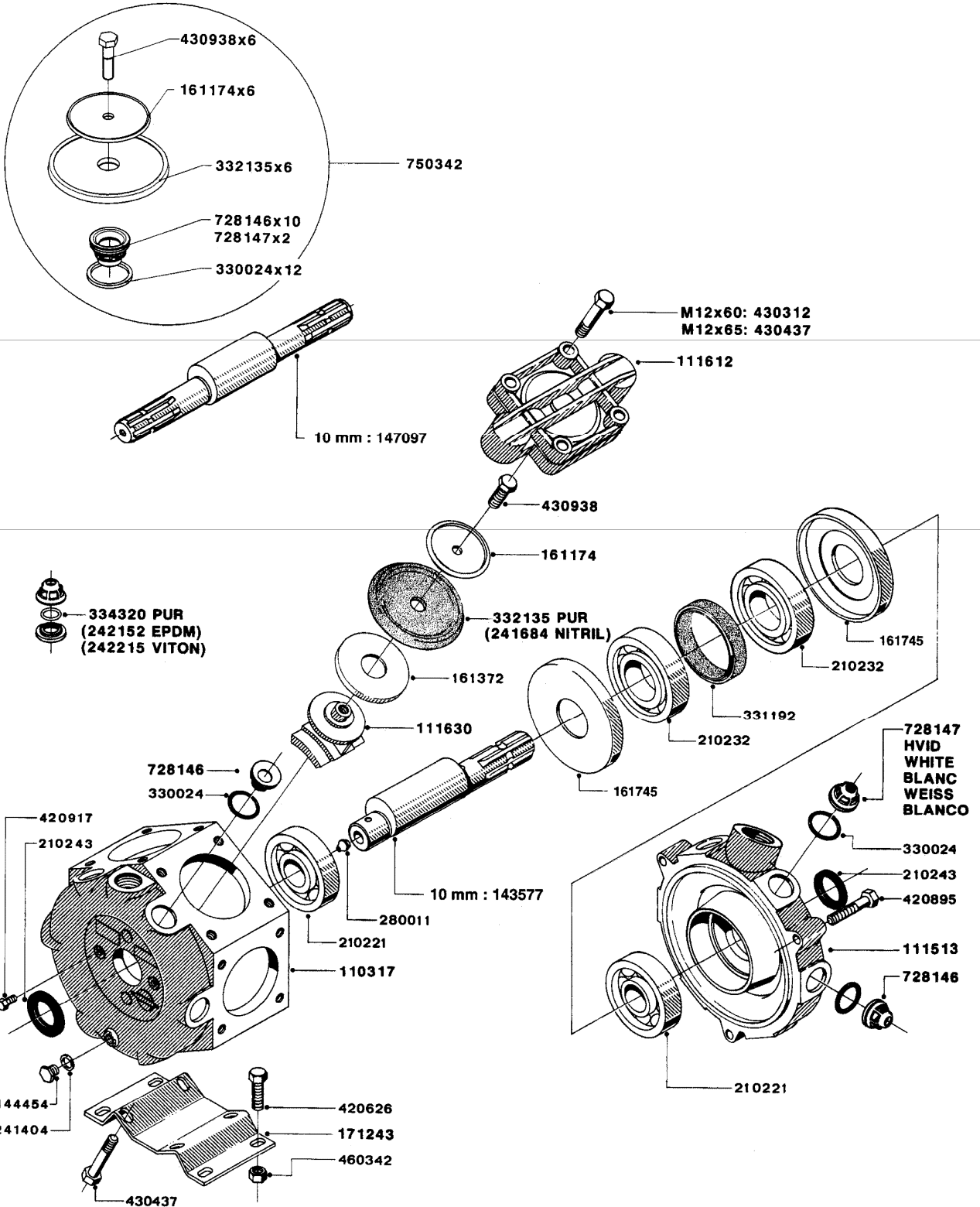
Country-Code 00

Date 07.05.2015 13:15





main group	page-n°	date	description
Pumps, Pump fittings	1_111	17:10:11	Pump 363/7
Operating units, Filter, Pulsation dampers, Valves	3_107	10:05:12	EVC/2 OPERATING UNIT FOR MISTB
	3_108	01:06:12	PAC HC3500 EVC J5
	3_109	21:05:12	PAC HC3500 EVC J5
Tank and Frame	2_015	17:10:11	Jockey wheel AR
Operating units, Filter, Pulsation dampers, Valves	3_110	21:05:12	PAC HC3500 SVJ5
Tank and Frame	2_129	09:05:12	CHAS. ZAT. 1000/1500/2000 AXIA
	2_132	09:05:12	DEPOSITO ZATURN 1000/1500/2000
	2_133	09:05:12	DEP. ZAT. 1000/1500/2000 AGIT
	2_134	09:05:12	BOMBA 321 ZATURN 1000
	2_135	09:05:12	BOMBA 363 ZAT. 1000/1500/2000
	Operating units, Filter, Pulsation dampers, Valves	3_111	21:05:12
3_112		21:05:12	PAC HC350 CBJ5
3_113		01:06:12	PAC HC350 CBJ6
3_114		21:05:12	PAC TECNICO HC3500
3_115		21:05:12	PAC 2 DETECTORES HC3500
3_116		21:05:12	PAC 4 DETECTORES HC 3500
3_117		21:05:12	PAC HC3400 BASICO
3_118		21:05:12	PAC TECNICO HC3400 J5-EVC
3_119		21:05:12	PAC TECNICO HC3400 J6-EVC
3_120		21:05:12	PAC TECNICO HC3400 J5-SV
3_121		21:05:12	PAC TECNICO HC 3400 J6-SV
3_122		21:05:12	PAC TECNICO HC3400 J5-CB
3_123		21:05:12	PAC TECNICO HC3400 J6-CB
3_124		21:05:12	PAC HC3300 BASICO
Blower unit mistblower		4_458	04:06:12
	4_457	18:05:12	CTO AG750 DEFLECTOR 12P+18-22
	4_456	18:05:12	CTO BASE DEFLECTOR AG 820 PLUS
	4_455	18:05:12	CTO BASE DEFLECTOR AG750 PLUS
	4_454	04:06:12	CTO AG820 DEFLECTOR 9_P.18-22
	4_452	04:06:12	MULTIPL.TURBINA 7.8 FRANCIA
	4_448	10:05:12	KIT DEFLECTOR DHV ZENIT/ZATURN
	4_447	10:05:12	KIT DEFLECTOR DHT ZENIT/ZATURN
	4_436	01:06:12	CTO ELICE D820 SINTETICA
	4_433	10:05:12	KIT AIRE AXIAL AG750 ZATURN CT
	4_432	10:05:12	KIT AIRE AXIAL AG750 ZATURN
	4_427	10:05:12	MULTIPLICADOR AXIAL 18-20
	4_426	10:05:12	KIT AIRE AXIAL AG820 ZATURN CT
4_425	10:05:12	KIT AIRE AXIAL AG820 ZATURN	
Drawbar	7_008	21:05:12	TIRO ROTULA ALEMANIA
	7_001	17:10:11	Drawbars AR / MR
	7_004	04:06:12	ROTULA VALENCIA
	7_005	14:05:12	ROTULA PORTUGAL





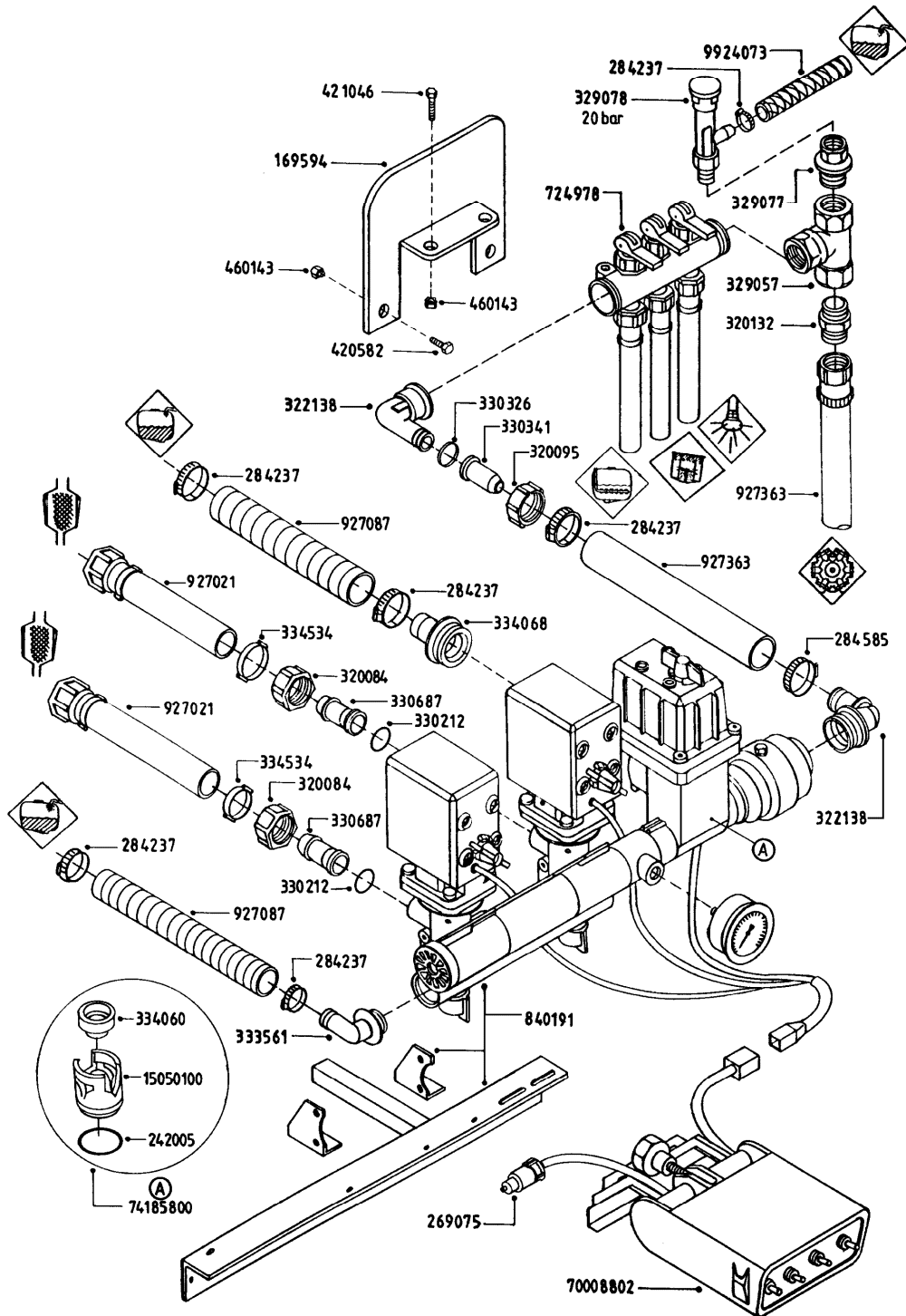
Pump 363/7  
1\_111, 17:10:11

Page 1

Date 07.05.2015 13:15

parts-n°	order qty	description
110317	1	PUMP CASING MODEL 360/361 PNTD
111513	1	CASTING F.363 PUMP 1.25" (FRNT)
111612	1	VALVE COVER 363 - 540 VERS.
111630	1	CONNECTING ROD F. 363 PUMP
143577	1	CRANK SHAFT F.363/462/463-10mm
144454	1	1/4" PIPE THREAD STOP.F/SEAL.R.
147097	1	CRANK SHAFT 363-463/10 THROUGH
161174	1	DIAPHRAGM DISC SS F.363 PUMP
161372	1	DIAPHRAGM BACKING DISC,320-361
161745	1	METAL SPACER F.363/463
171243	1	FOOT F/361 (PAINTED)17002400
210221	1	BEARING BALL 6407
210232	1	BEARING BALL 6310
210243	1	SEAL OIL 35 X 47 X 7
241404	1	DOWTYSEAL 1/4"
242152	1	O-RING D18.2X3 EPDM
242215	1	O-RING D18X3 VITON
280011	1	GREASE NIPPLE 1/8" H TR
330024	1	O-RING D41,1/D34.5 X 3,5
331192	1	SPACER, MODEL 361/363
332135	1	DIAPHRAGM, POLY alt 33511400
334320	1	O-RING D18X3 POLYURETHANE
420626	1	BOLT HEX 8.8 DEL M10X20 FT
420895	1	BOLT HEX 8.8 RAW M10X60
420917	1	BOLT HEX 8.8 RAW M8X12 FT
430312	1	BOLT HEX 8.8 RAW M12X60
430437	1	BOLT HEX 8.8 RAW M12X65
430938	1	BOLT HEX SS M12 X 30
460342	1	NUT HEX M10 DEL DIN934
728146	1	VALVE FOR 361(726890/707932)
728147	1	VALVE FOR 361 WHITE WITH HOLE
750342	1	PUMP KIT 361/363 alt 75073700







EVC/2 OPERATING UNIT FOR MISTB  
3\_107, 10:05:12

Page

1

Date

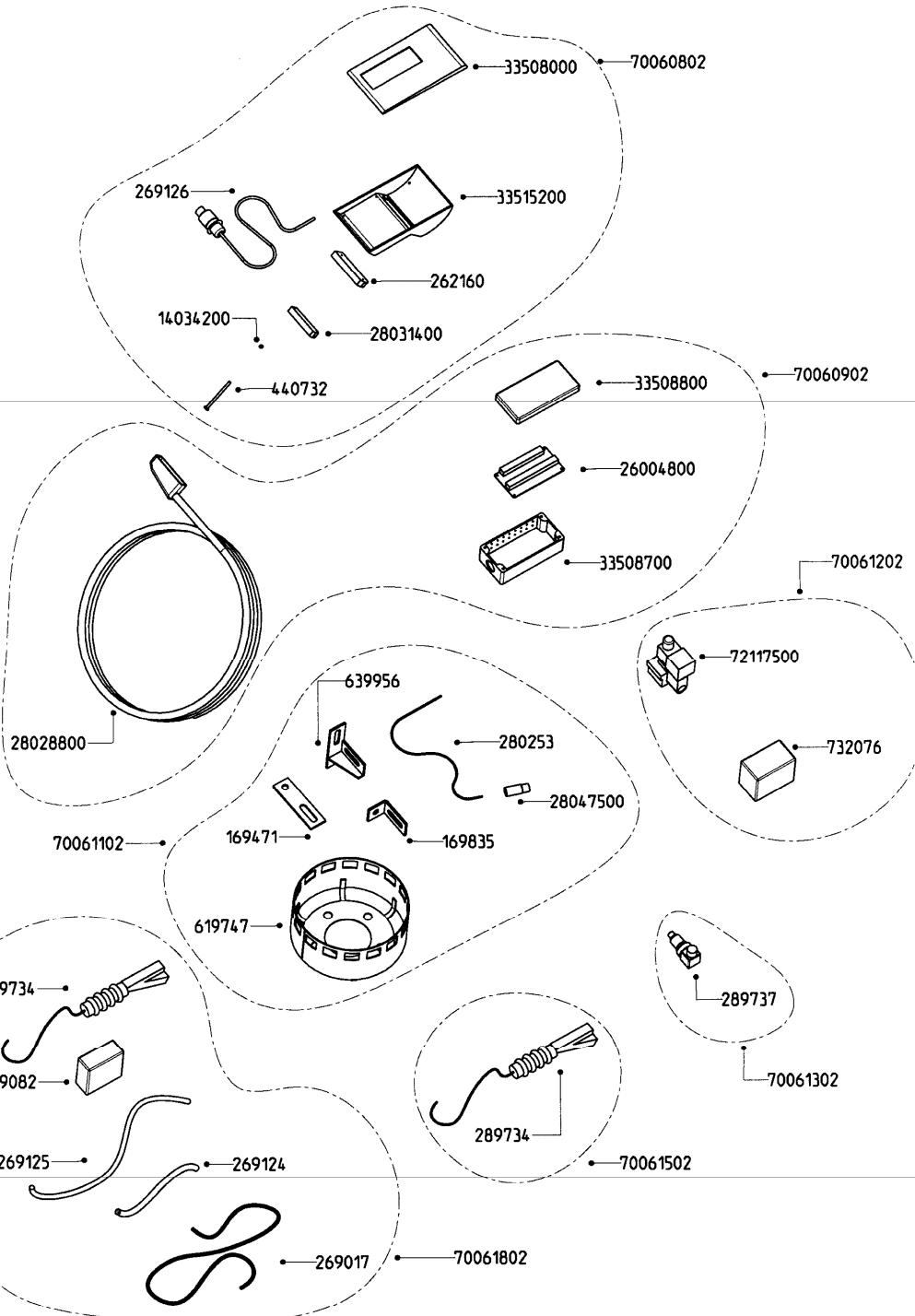
07.05.2015 13:15

parts-n°	order qty	description
15050100	1	CILINDRO REGULACION INOX EVC
169594	1	BRACKET F.DISTRIB.VALVE ZENIT
239074	1	BRYSTNIPPEL 1'X3/4'
242005	1	O-RING D32.1X1.6 NITRIL
269075	1	CLAVIJA ENCHUFE RAPIDO (13005CL1
284237	1	CLAMP HOSE GEAR D20/30
284585	1	CLAMP HOSE GEAR 1" MINI 020
320084	1	FITT.DK NUT 1/2" BSP
320095	1	FITT.DK NUT 1" BSP
322138	1	FITT.DK ELB 1"M X 1"F BSP
329057	1	FITTING TEE 1" F-F-F
329077	1	REDUCCION 1"M-1/2"H ARAG (2452042)
329078	1	SAFETY VALVE 290 PSI
330212	1	O-RING D19/D14X2.4 F.1/2"NUT
330326	1	O-RING D30/D24X2 F.1"NUT
330341	1	FITT.DK HB 1" F. 1" NUT
330687	1	FITT.DK HB 1/2" F. 1/2" NUT
333561	1	FITT.DK ELB.1" EC RETURN
334060	1	CAMISA REGULACION PRESION EVC
334068	1	FITT.DK S-61 STR.1"
334534	1	CLAMP HOSE PLASTIC 1/2"
420582	1	BOLT HEX 8.8 DEL M8X20 FT A2
421046	1	BOLT HEX 8.8 DEL M8X25 FT A2 DIN933
460143	1	NUT HEX M8 LOCK A2 DIN985
70008802	1	ELECTRIC BOX FOR EVC/2
724978	1	1/2" DISTRIBUTOR TYP.3
74185800	1	CTO CAMISA REGUL. PRES. INOX EVC
840191	1	EVC/2 OPERATING UNIT FOR MISTB
927021	1	HOSE R X 60 BAR X 1/2 X 0012"
927087	1	HOSE R X PVC X 1 X 0012"
927363	1	1' PRESSURE HOSE 60 BAR 80M
9924073	1	TEXOVINILHOSED.20



PAC HC3500 EVC J5  
3\_108, 01:06:12

Page 0  
Date 07.05.2015 13:15





PAC HC3500 EVC J5  
3\_108, 01:06:12

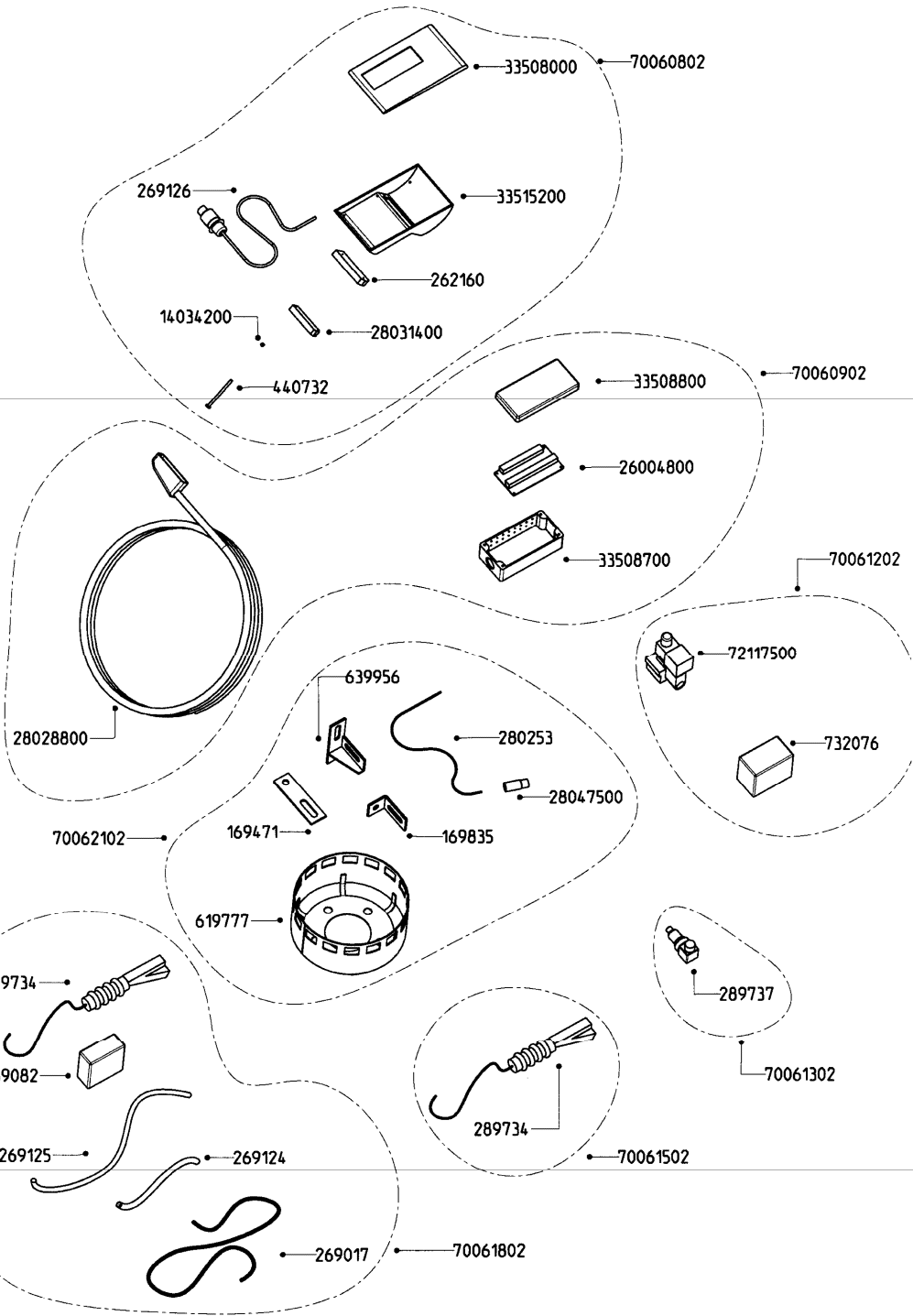
Page 1  
Date 07.05.2015 13:15

parts-n°	order qty	description
14034200	1	CODE BRACKET FOR 39 PIN CABLE
169471	1	BRACKET, LOWER, HC-2500/3500
169835	1	BRACKET F/ MAGNET HC3500
26004800	1	CIRCUIT BD SEC VLV NCM 13SEC
262160	1	PLUG HOUSING 39 POLE FEMALE
269017	1	269017
269082	1	BOX 90*90*40
269124	1	FUNDA PARA CABLES HWPP(6117031
269125	1	CABLE 8 NUCS 7x0.2x100 MTS
269126	1	CLAVIJA ENCHUFE 12V.(13005CL1)
280253	1	CABLE,EXT F.SENSOR FEM.L=8"
28028800	1	WIRE 37-39 PIN EVC, 16.4'
28031400	1	PLUG 39-POLE FEMALE HC5500
28047500	1	SPEED SENSOR HM
289734	1	BOYA HC3500 HORIZO.(338-9722)
289737	1	TRANS.PRES.G1/4"60 BARS HC3500
33508000	1	HC6400 SETBOX FRONT BLACK/GREY
33508700	1	BOX BOTTOM 160X80X40 BLACK 1-HOLE
33508800	1	LID 160X80X15 BLK W/SCREWS
33515200	1	TAPA POST.GRIS P/HC CAJA CONT
440732	1	PT SCREW 35X12B Z5452 ELZ
619747	1	CTO.DISCO J5 SENSOR VELOCIDAD
639956	1	BRACKET F/WHEEL MAGNETS HC3500
70060802	1	CTO.HC3500 ORDENADOR
70060902	1	CTO.CAJA CONEX.+CABLE HC3500
70061102	1	CTO.SENSOR J5 VELOCIDAD HC3500
70061202	1	CTO.SENSOR EVC CAUDAL HC3500
70061302	1	CTO.SENSOR PRESION HC3500
70061502	1	CTO.BOYA NIVEL RESERVA HC3500
70061802	1	CTO.EXTENSION NIVELES HC3500
72117500	1	FLOW SENSOR - M.AMP L=1M
732076	1	FLOW HOUSE Ø13,5 EVC+BK+SC



PAC HC3500 EVC J5  
3\_109, 21:05:12

Page	0
Date	07.05.2015 13:15





PAC HC3500 EVC J5  
3\_109, 21:05:12

Page 1  
Date 07.05.2015 13:15

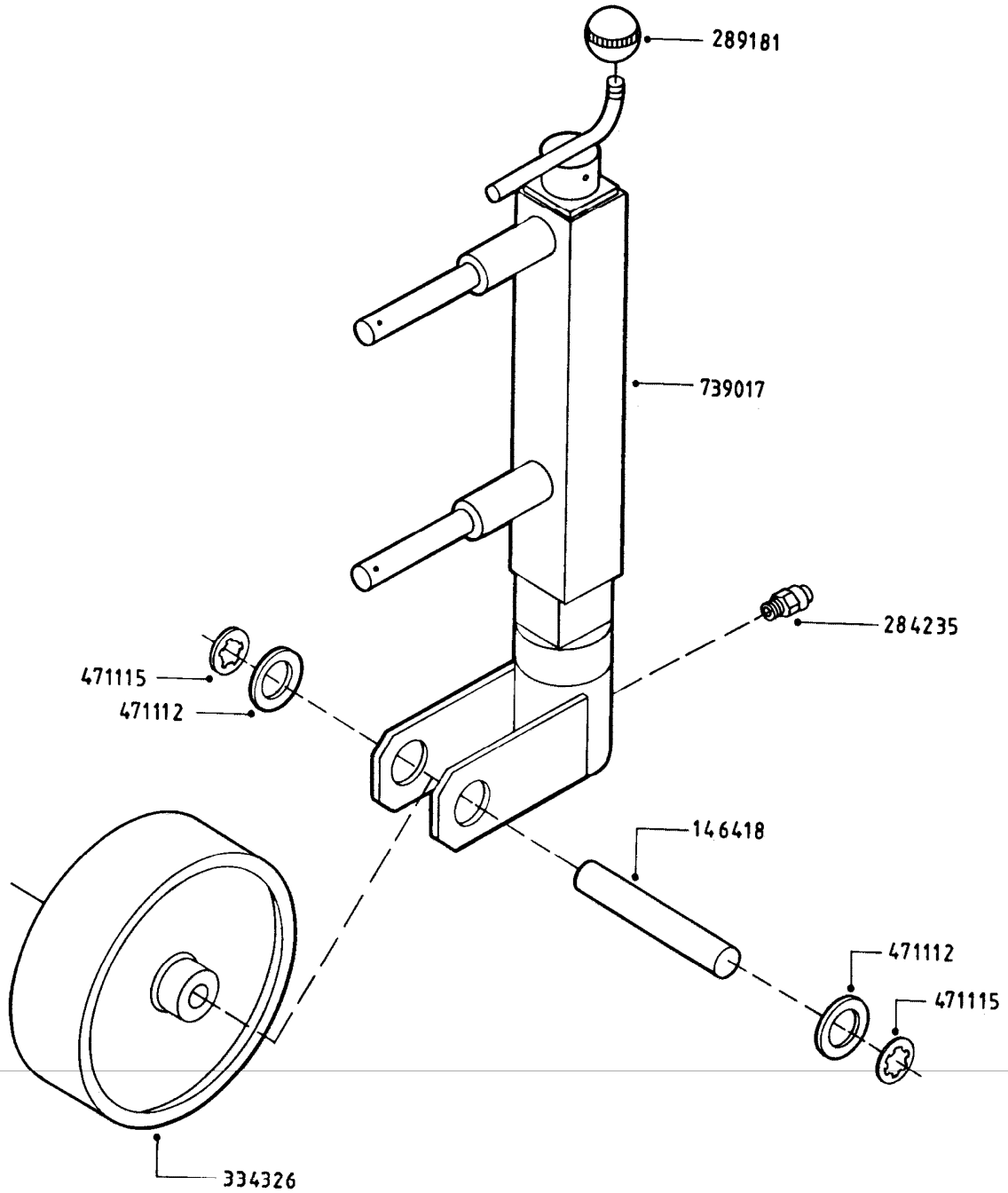
parts-n°	order qty	description
14034200	1	CODE BRACKET FOR 39 PIN CABLE
169471	1	BRACKET, LOWER, HC-2500/3500
169835	1	BRACKET F/ MAGNET HC3500
26004800	1	CIRCUIT BD SEC VLV NCM 13SEC
262160	1	PLUG HOUSING 39 POLE FEMALE
269017	1	269017
269082	1	BOX 90*90*40
269124	1	FUNDA PARA CABLES HWPP(6117031
269125	1	CABLE 8 NUCS 7x0.2x100 MTS
269126	1	CLAVIJA ENCHUFE 12V.(13005CL1)
280253	1	CABLE,EXT F.SENSOR FEM.L=8"
28028800	1	WIRE 37-39 PIN EVC, 16.4'
28031400	1	PLUG 39-POLE FEMALE HC5500
28047500	1	SPEED SENSOR HM
289734	1	BOYA HC3500 HORIZO.(338-9722)
289737	1	TRANS.PRES.G1/4"60 BARS HC3500
33508000	1	HC6400 SETBOX FRONT BLACK/GREY
33508700	1	BOX BOTTOM 160X80X40 BLACK 1-HOLE
33508800	1	LID 160X80X15 BLK W/SCREWS
33515200	1	TAPA POST.GRIS P/HC CAJA CONT
440732	1	PT SCREW 35X12B Z5452 ELZ
619777	1	SPEED SENSOR DISC J6 D.18
639956	1	BRACKET F/WHEEL MAGNETS HC3500
70060802	1	CTO.HC3500 ORDENADOR
70060902	1	CTO.CAJA CONEX.+CABLE HC3500
70061202	1	CTO.SENSOR EVC CAUDAL HC3500
70061302	1	CTO.SENSOR PRESION HC3500
70061502	1	CTO.BOYA NIVEL RESERVA HC3500
70061802	1	CTO.EXTENSION NIVELES HC3500
70062102	1	CTO.SENSOR J6 VELOCIDAD HC3500
72117500	1	FLOW SENSOR - M.AMP L=1M
732076	1	FLOW HOUSE Ø13,5 EVC+BK+SC



Jockey wheel AR  
2\_015, 17:10:11

Page 0

Date 07.05.2015 13:15





Jockey wheel AR  
2\_015, 17:10:11

Page 1

Date 07.05.2015 13:15

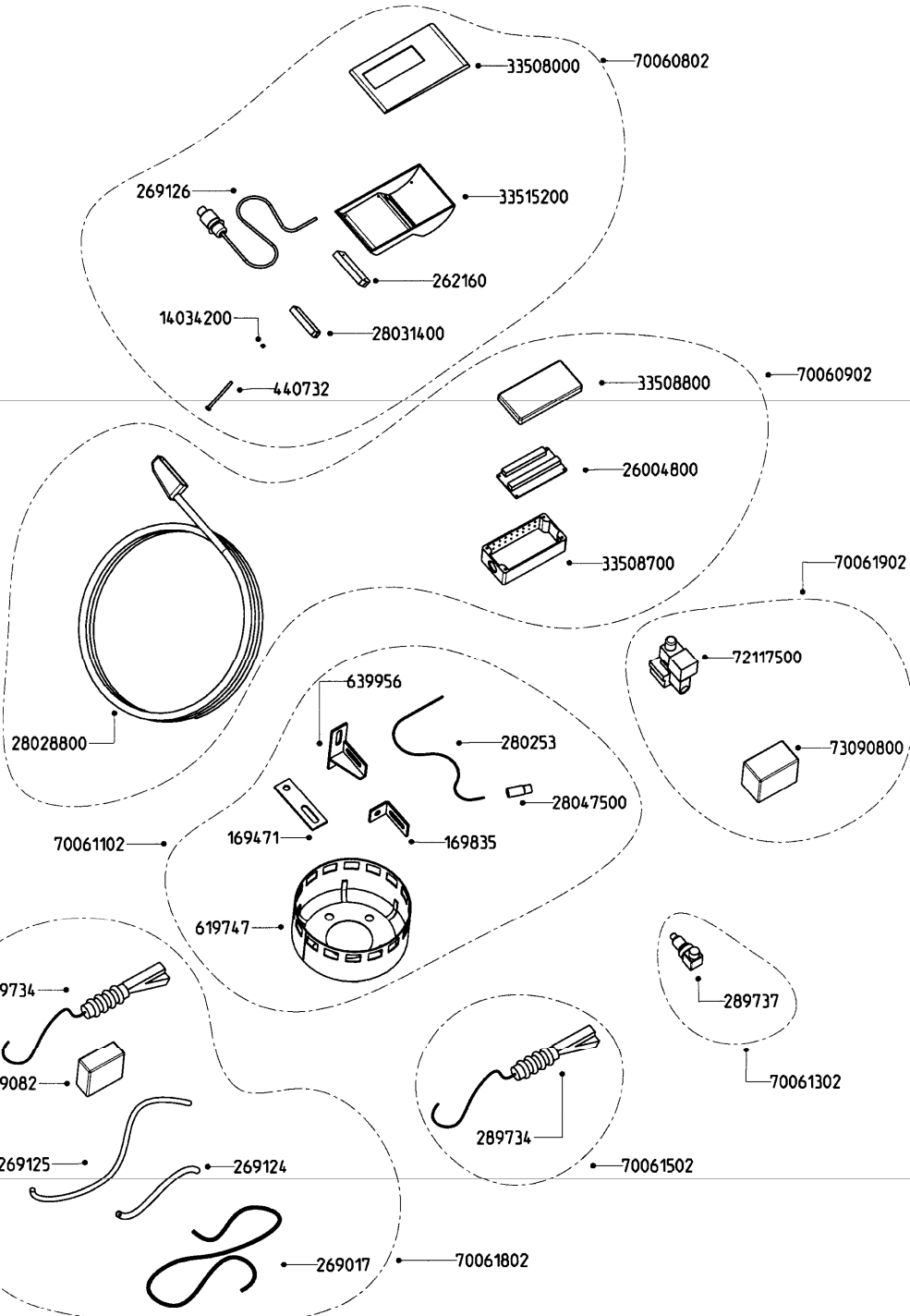
parts-n°	order qty	description
146418	1	SHAFT FOR SUPPORT WHEEL
284235	1	ENGRASADOR M-6/100 RECTO
289181	1	BALL (BAKELITE)
334326	1	WHEEL PLASTIC
471112	1	WASHER D20
471115	1	WASHER D20
739017	1	0120035 SUPPORT LEG STRAIGHT





PAC HC3500 SVJ5  
3\_110, 21:05:12

Page 0  
Date 07.05.2015 13:15

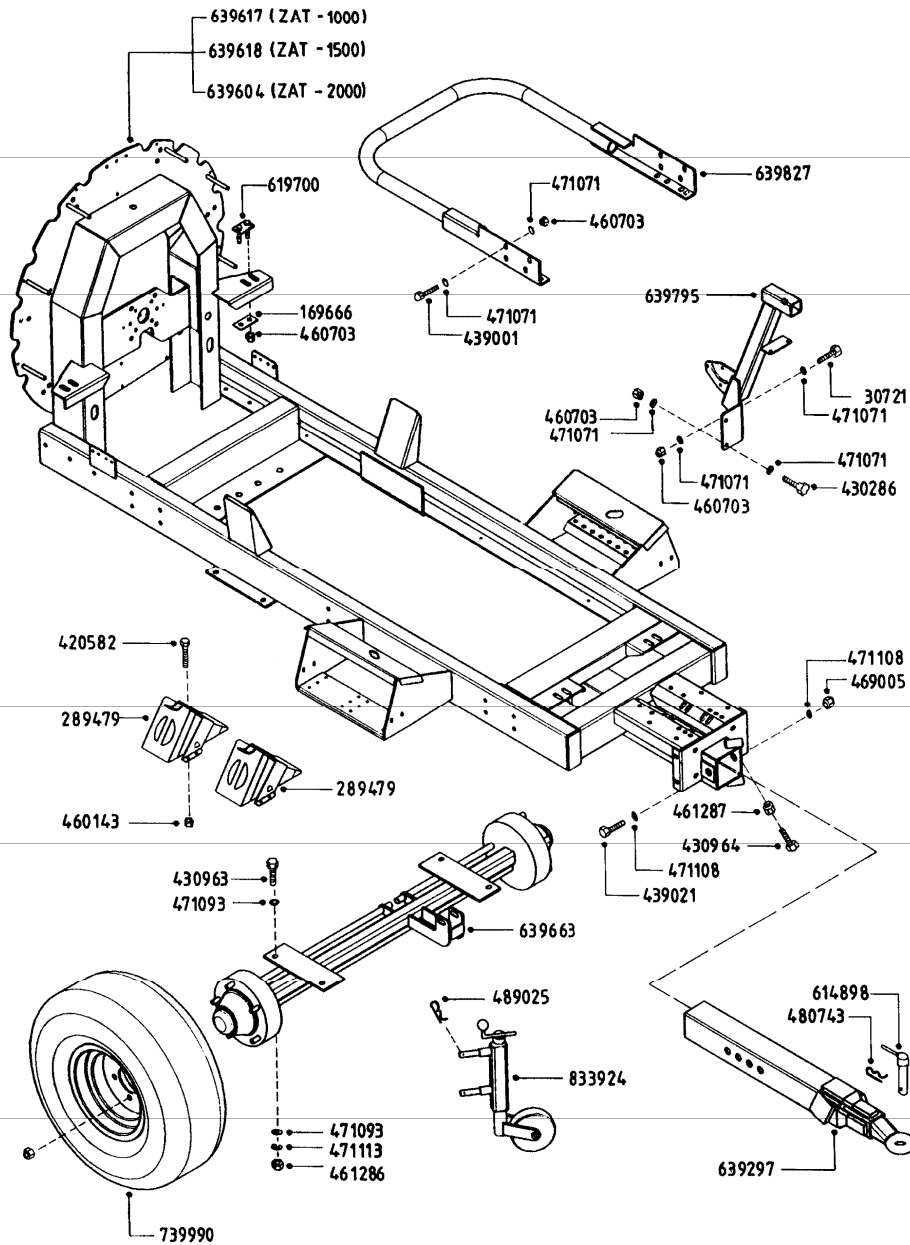




PAC HC3500 SVJ5  
3\_110, 21:05:12

Page 1  
Date 07.05.2015 13:15

parts-n°	order qty	description
14034200	1	CODE BRACKET FOR 39 PIN CABLE
169471	1	BRACKET, LOWER, HC-2500/3500
169835	1	BRACKET F/ MAGNET HC3500
26004800	1	CIRCUIT BD SEC VLV NCM 13SEC
262160	1	PLUG HOUSING 39 POLE FEMALE
269017	1	269017
269082	1	BOX 90*90*40
269124	1	FUNDA PARA CABLES HWPP(6117031
269125	1	CABLE 8 NUCS 7x0.2x100 MTS
269126	1	CLAVIJA ENCHUFE 12V.(13005CL1)
280253	1	CABLE,EXT F.SENSOR FEM.L=8"
28028800	1	WIRE 37-39 PIN EVC, 16.4'
28031400	1	PLUG 39-POLE FEMALE HC5500
28047500	1	SPEED SENSOR HM
289734	1	BOYA HC3500 HORIZO.(338-9722)
289737	1	TRANS.PRES.G1/4"60 BARS HC3500
33508000	1	HC6400 SETBOX FRONT BLACK/GREY
33508700	1	BOX BOTTOM 160X80X40 BLACK 1-HOLE
33508800	1	LID 160X80X15 BLK W/SCREWS
33515200	1	TAPA POST.GRIS P/HC CAJA CONT
440732	1	PT SCREW 35X12B Z5452 ELZ
619747	1	CTO.DISCO J5 SENSOR VELOCIDAD
639956	1	BRACKET F/WHEEL MAGNETS HC3500
70060802	1	CTO.HC3500 ORDENADOR
70060902	1	CTO.CAJA CONEX.+CABLE HC3500
70061102	1	CTO.SENSOR J5 VELOCIDAD HC3500
70061302	1	CTO.SENSOR PRESION HC3500
70061502	1	CTO.BOYA NIVEL RESERVA HC3500
70061802	1	CTO.EXTENSION NIVELES HC3500
70061902	1	CTO.REGUL+SENSO SV CAUDAL HC35
72117500	1	FLOW SENSOR - M.AMP L=1M
73090800	1	FLOW HOUSING D.13,5 FOR CB/2



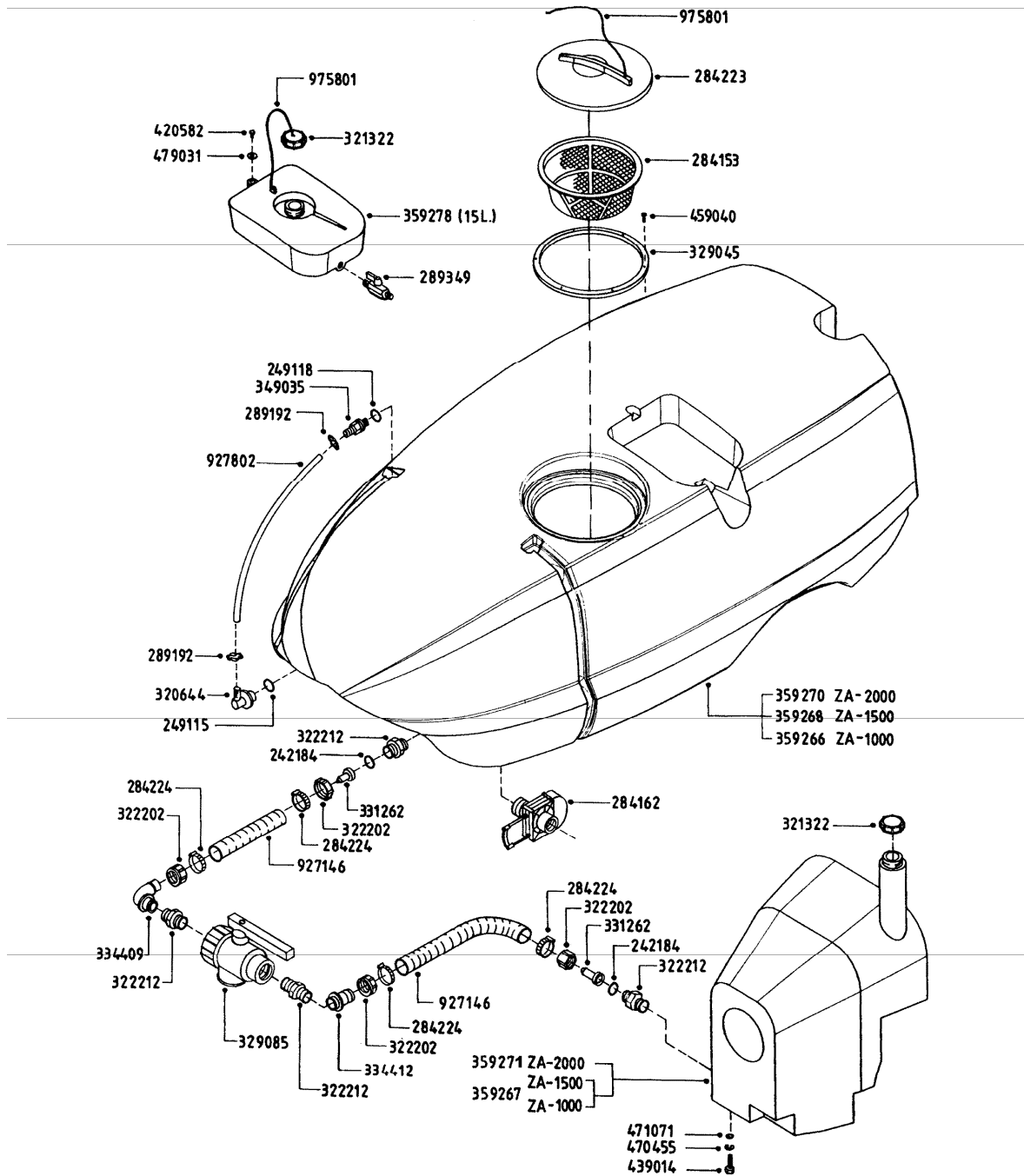


CHAS. ZAT. 1000/1500/2000 AXIA  
2\_129, 09:05:12

Page 1

Date 07.05.2015 13:15

parts-n°	order qty	description
169666	1	CHAPA FIJAC.DEPOSITO 80x40x3 ZAT
289479	1	CALZO + SOPORTE 360mm PEQUEÑO
420582	1	BOLT HEX 8.8 DEL M8X20 FT A2
430286	1	BOLT HEX 8.8 DEL M12X30 FT
430721	1	BOLT HEX 8.8 DEL M12X40 FT
430963	1	BOLT HEX M14X40
430964	1	BOLT HEX M18X50
439021	1	BOLT HEX 8.8 DEL M24X160 GALV.
460143	1	NUT HEX M8 LOCK A2 DIN985
460703	1	NUT HEX M12X1.75 LOCK DIN985
461286	1	NUT M14 SAFETY
461287	1	NUT HEX M18
469005	1	SELF LOCK NUT M24
471071	1	WASHER M12 GALV
471093	1	WASHER D14 GALV. (168873)
471108	1	WASHER D44D25X4.5
471113	1	WASHER D14 TENSION
480743	1	HAIR NEEDLE D 5 .....
489025	1	'R' PIN D.4
614898	1	LOCK STICK F/DRAWBAR TS .....
619700	1	GRAPA FIJACION DEPOSITO ZATURN
639604	1	CHASIS BASE 2000 ZATURN
639617	1	CHASIS BASE 1000 ZATURN
639618	1	CHASIS BASE 1500 ZATURN
639663	1	EJE FIJO RECTO C/FRENO 1350 TEP
639795	1	SOPORTE MANDO ZATURN 10/15/20
639827	1	CTO.PARACHOQUE AG750/820 ZATURN
639927	1	HIERRO 3er BRAZO 21 FLEX
739990	1	WHEEL 10/75.15.3 10PLY 94-18 T
833924	1	JACK WITH TRANSPORT WHEEL





DEPOSITO ZATURN 1000/1500/2000  
2\_132, 09:05:12

Page 1  
Date 07.05.2015 13:15

parts-n°	order qty	description
242184	1	O-RING 29X3 .....
249115	1	O-RING 32.5X42X1.5 1" TEFLON
249118	1	O-RING 21X28X1.5 1/2" TEFLON
284153	1	TANK STRAINER D=454
284162	1	VALVE 'ARAC' 1,5' .....
284223	1	COMPLETE COVER D 454 .....
284224	1	CLAMP 32-50 .....
460143	1	NUT HEX M8 LOCK A2 DIN985
289192	1	HOSE CLIP 23-27
289349	1	BALL VALVE 3/8" M-H
320644	1	FITT.DK ELB.3/4"HB X 1" BSP
321322	1	SCREW CAP F. S80 X 4
322202	1	NUT ARAG 1-1/2" BSP
322212	1	HEXAGON NIPPLE 1 1/2' .....
329045	1	RING D.454 W/SEAL
329085	1	3 WAY VALVE 1 1/2"
331262	1	FITT.DK HB 1-1/2" F. 1-1/2"NUT
334409	1	BENDING D 40
334412	1	HOSE TAIL 1 1/2' FOR UNION NUT
349035	1	FITTING STRAIGHT 1/2" D20
359266	1	TANKZA-1000
359267	1	DEPOSITO AUXILIAR 100 L.L. ZA-10
359268	1	TANKZA-1500
359270	1	TANKZA-2000L.
359271	1	DEPOSITO AUXILIAR 130 L.ZA-2000
420582	1	BOLT HEX 8.8 DEL M8X20 FT A2
439014	1	BOLT HEX 8.8 DEL M12X35
459040	1	SCREW INOX 4.2X25 DIN7981
470455	1	WASHER D12 SPRING
471071	1	WASHER M12 GALV
479031	1	WASHER
927146	1	HOSE R X PVC X 1-1/2 X 0012"
927802	1	TRANSP.PVC HOSE 20X25
975801	1	BOBINA INDUSTRIAL 2 M/M ART.13(A)
975801	1	BOBINA INDUSTRIAL 2 M/M ART.13(A)



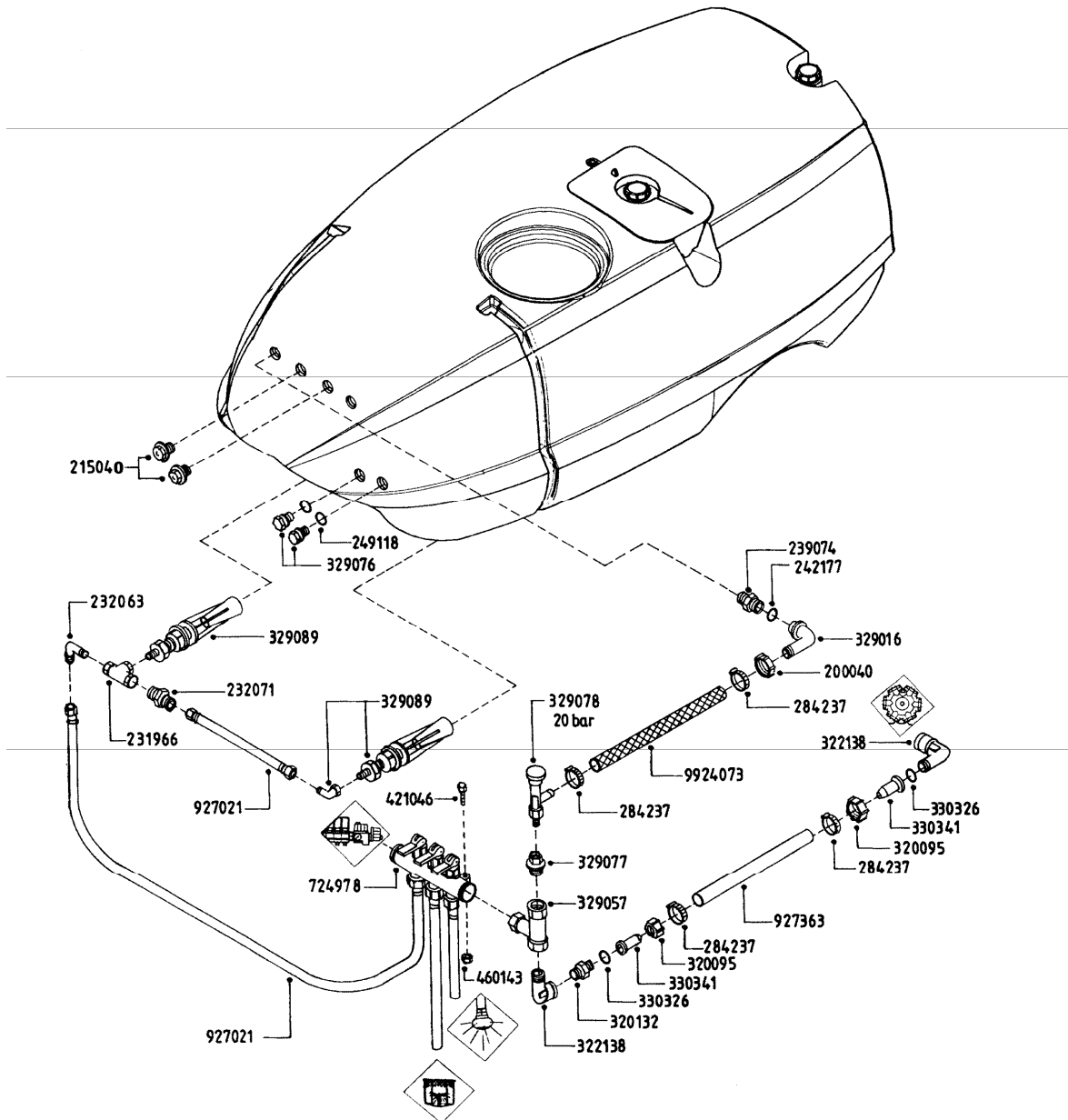
DEP. ZAT. 1000/1500/2000 AGIT  
2\_133, 09:05:12

Page

0

Date

07.05.2015 13:15





DEP. ZAT. 1000/1500/2000 AGIT  
2\_133, 09:05:12

Page 1

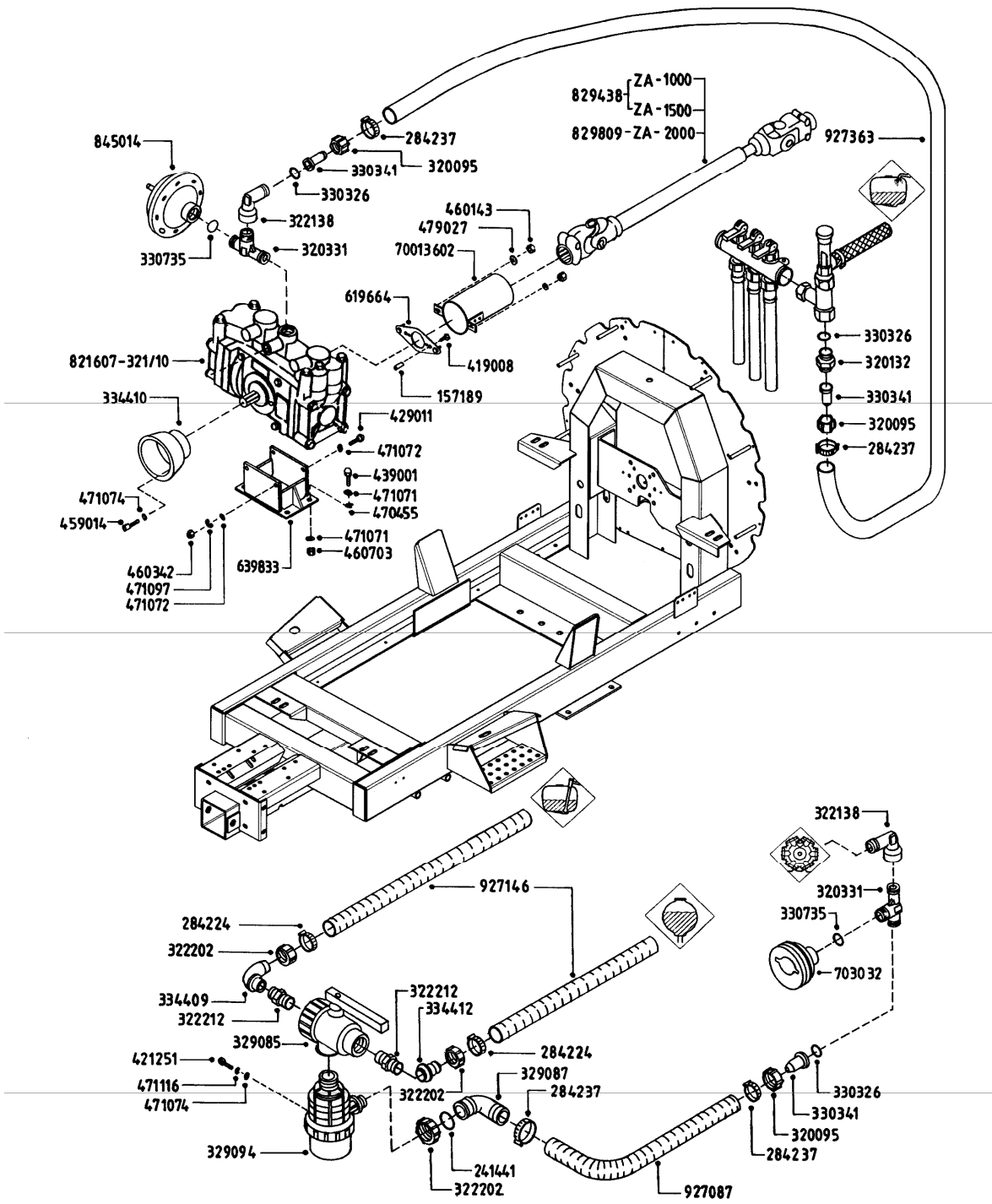
Date 07.05.2015 13:15

parts-n°	order qty	description
200040	1	OMLØBER FOR FITTING 1"
215040	1	PLUG M 1"
231966	1	TEE 1/2'
232063	1	BENDING 90' 1/2' NN .....
232071	1	HEXAGON NIPPLE 1/2' .....
239074	1	BRYSTNIPPEL 1'X3/4'
242177	1	O-RING D25.4 X 20.2 X 2.6
249118	1	O-RING 21X28X1.5 1/2" TEFLON
284237	1	CLAMP HOSE GEAR D20/30
320095	1	FITT.DK NUT 1" BSP
320132	1	FITT.DK HN 1" BSP
322138	1	FITT.DK ELB 1"M X 1"F BSP
329016	1	BØJNING
329057	1	FITTING TEE 1" F-F-F
329076	1	PLUG 1/2" M.
329077	1	REDUCCION 1"M-1/2"H ARAG (2452042)
329078	1	SAFETY VALVE 290 PSI
329089	1	Hydraulic Agitator, elbow INOX
330326	1	O-RING D30/D24X2 F.1"NUT
330341	1	FITT.DK HB 1" F. 1" NUT
421046	1	BOLT HEX 8.8 DEL M8X25 FT A2 DIN933
460143	1	NUT HEX M8 LOCK A2 DIN985
724978	1	1/2" DISTRIBUTOR TYP.3
927021	1	HOSE R X 60 BAR X 1/2 X 0012"
927363	1	1' PRESSURE HOSE 60 BAR 80M
9924073	1	TEXOVINILHOSED.20





BOMBA 321 ZATURN 1000  
2\_134, 09:05:12

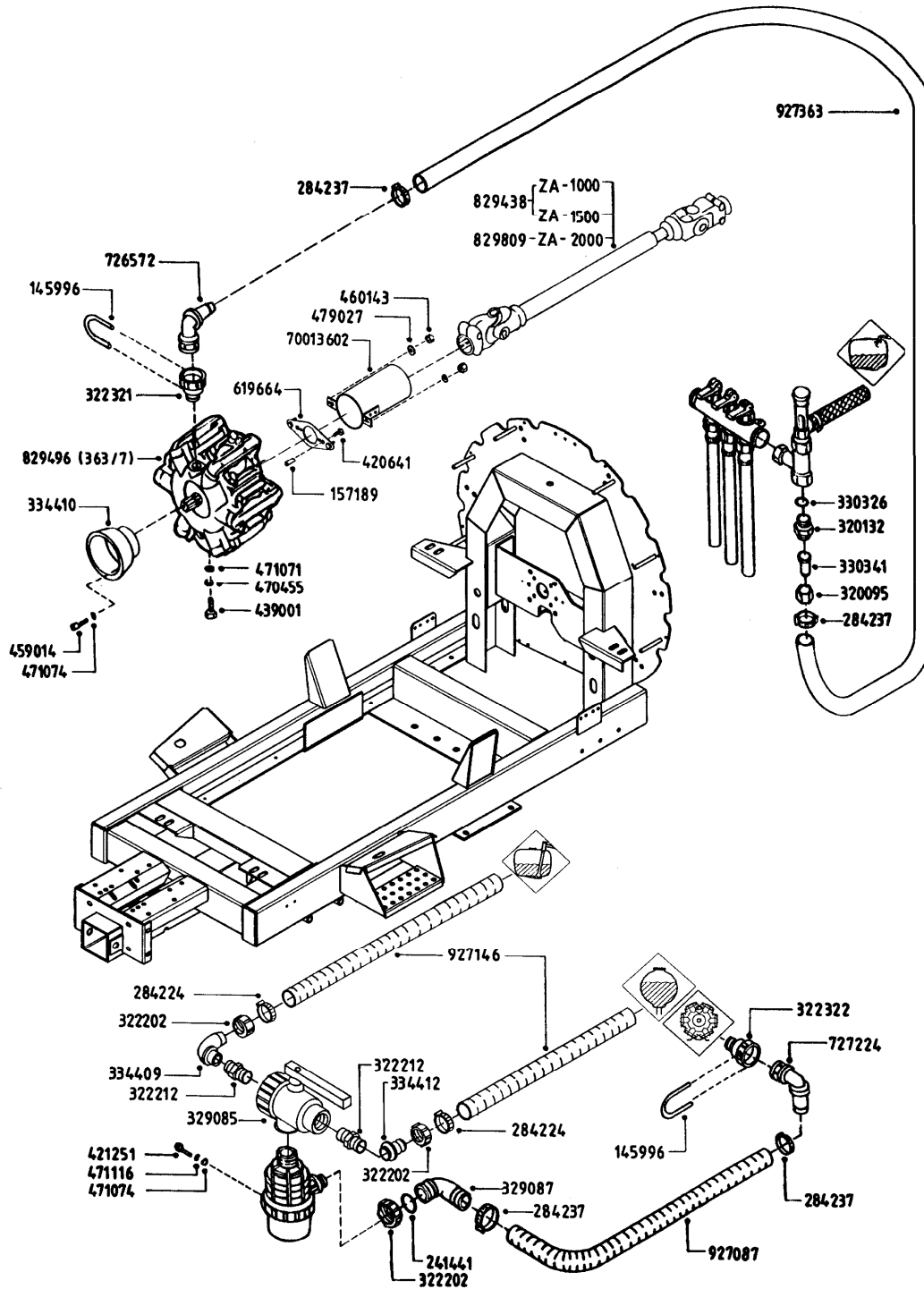




BOMBA 321 ZATURN 1000  
2\_134, 09:05:12

Page 1  
Date 07.05.2015 13:15

parts-n°	order qty	description
157189	1	TUBO SEPARA.TDF D.10x25 DELANTER
241441	1	O-RING D29.3X3
284224	1	CLAMP 32-50 .....
284237	1	CLAMP HOSE GEAR D20/30
320095	1	FITT.DK NUT 1" BSP
320132	1	FITT.DK HN 1" BSP
320331	1	FITT.DK TEE 1" - 1" - 3/4" BSP
322138	1	FITT.DK ELB 1"M X 1"F BSP
322202	1	NUT ARAG 1-1/2" BSP
322212	1	HEXAGON NIPPLE 1 1/2' .....
329085	1	3 WAY VALVE 1 1/2"
329087	1	ELBOW D25, 1-1/2" ARAG
329084	1	LATIGUILLO M 1/4" D.13 ARAG(10
329094	1	FILTRO ASPIRA.1"1/2 FL32M (31416
330326	1	O-RING D30/D24X2 F.1"NUT
330341	1	FITT.DK HB 1" F. 1" NUT
330735	1	O-RING D30/D26X2
334409	1	BENDING D 40
334410	1	PROTECTION GUARD
334412	1	HOSE TAIL 1 1/2' FOR UNION NUT
419008	1	M. 6 X 35 MACH. SCREW GAL.
421251	1	BOLT HEX M8X15
429011	1	BOLT HEX M10X140
439001	1	M. 12 X 35 MACH. SCREW 8.8
459014	1	ALLEN SCREW M8 X 15 GALV.DIN93
460143	1	NUT HEX M8 LOCK A2 DIN985
460342	1	NUT HEX M10 DEL DIN934
460703	1	NUT HEX M12X1.75 LOCK DIN985
470455	1	WASHER D12 SPRING
471071	1	WASHER M12 GALV
471072	1	WASHER M10 EL2
471074	1	WASHER M8 ELZ
471097	1	WASHER D10 SAFETY
471116	1	WASHER D8 TENSION
479027	1	WASHER D8X24X2 DIN9021
619664	1	CTO.OREJA PROTECTOR TDF MR-PLUS
639833	1	SILLA BOMBA 321 ZATURN
70013602	1	PTO PROTECTION
703032	1	SUCTION AIR BOTTLE 3/4" COMPL.
821607	1	PUMP 321/10MM 25BAR THROUGH SH
829438	1	TRANSM.SHAFT T300X1500 W/O PRO
829809	1	TRANSMISION
845014	1	AIR BOTTLE COMPLETE HJ73
927087	1	HOSE R X PVC X 1 X 0012"
927146	1	HOSE R X PVC X 1-1/2 X 0012"
927363	1	1' PRESSURE HOSE 60 BAR 80M





BOMBA 363 ZAT. 1000/1500/2000  
2\_135, 09:05:12

Page 1

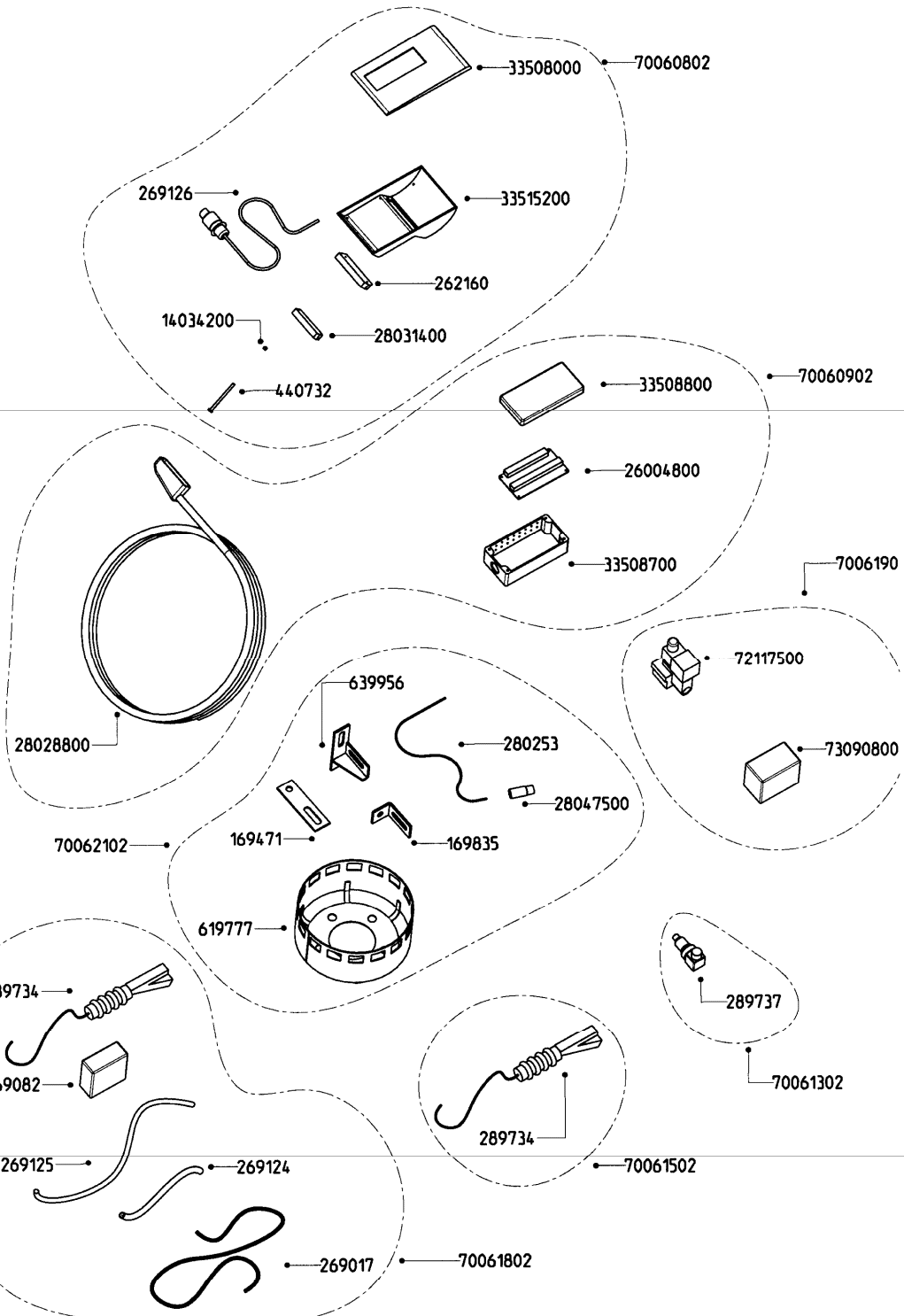
Date 07.05.2015 13:15

parts-n°	order qty	description
145996	1	FITT.DK S-67 FORK
157189	1	TUBO SEPARA.TDF D.10x25 DELANTER
241441	1	O-RING D29.3X3
284224	1	CLAMP 32-50 .....
284237	1	CLAMP HOSE GEAR D20/30
320095	1	FITT.DK NUT 1" BSP
320132	1	FITT.DK HN 1" BSP
322212	1	HEXAGON NIPPLE 1 1/2' .....
322321	1	FITT.DK S-67 X 1"BSP MALE
322322	1	FITT.DK S-67 X 1-1/4"BSP MALE
329085	1	3 WAY VALVE 1 1/2"
329087	1	ELBOW D25, 1-1/2" ARAG
330326	1	O-RING D30/D24X2 F.1"NUT
330341	1	FITT.DK HB 1" F. 1" NUT
334409	1	BENDING D 40
334410	1	PROTECTION GUARD
334412	1	HOSE TAIL 1 1/2' FOR UNION NUT
420641	1	BOLT HEX 8.8 DEL M8X35
421251	1	BOLT HEX M8X15
439001	1	M. 12 X 35 MACH. SCREW 8.8
459014	1	ALLEN SCREW M8 X 15 GALV.DIN93
460143	1	NUT HEX M8 LOCK A2 DIN985
470455	1	WASHER D12 SPRING
471071	1	WASHER M12 GALV
471074	1	WASHER M8 ELZ
471116	1	WASHER D8 TENSION
479027	1	WASHER D8X24X2 DIN9021
619664	1	CTO.OREJA PROTECTOR TDF MR-PLUS
70013602	1	PTO PROTECTION
726572	1	FITT.DK S-67 1" ELBOW 90 ASSY.
727224	1	FITT.DK S67X90,1.5HB SUCTION
829438	1	TRANSM.SHAFT T300X1500 W/O PRO
829496	1	PUMP 363/07 5/4"-20
829809	1	TRANSMISION
829809	1	TRANSMISION
927087	1	HOSE R X PVC X 1 X 0012"
927146	1	HOSE R X PVC X 1-1/2 X 0012"
927363	1	1' PRESSURE HOSE 60 BAR 80M
322202	1	NUT ARAG 1-1/2" BSP



PAC HC350 SVJ6  
3\_111, 21:05:12

Page	0
Date	07.05.2015 13:15





PAC HC350 SVJ6  
3\_111, 21:05:12

Page 1

Date 07.05.2015 13:15

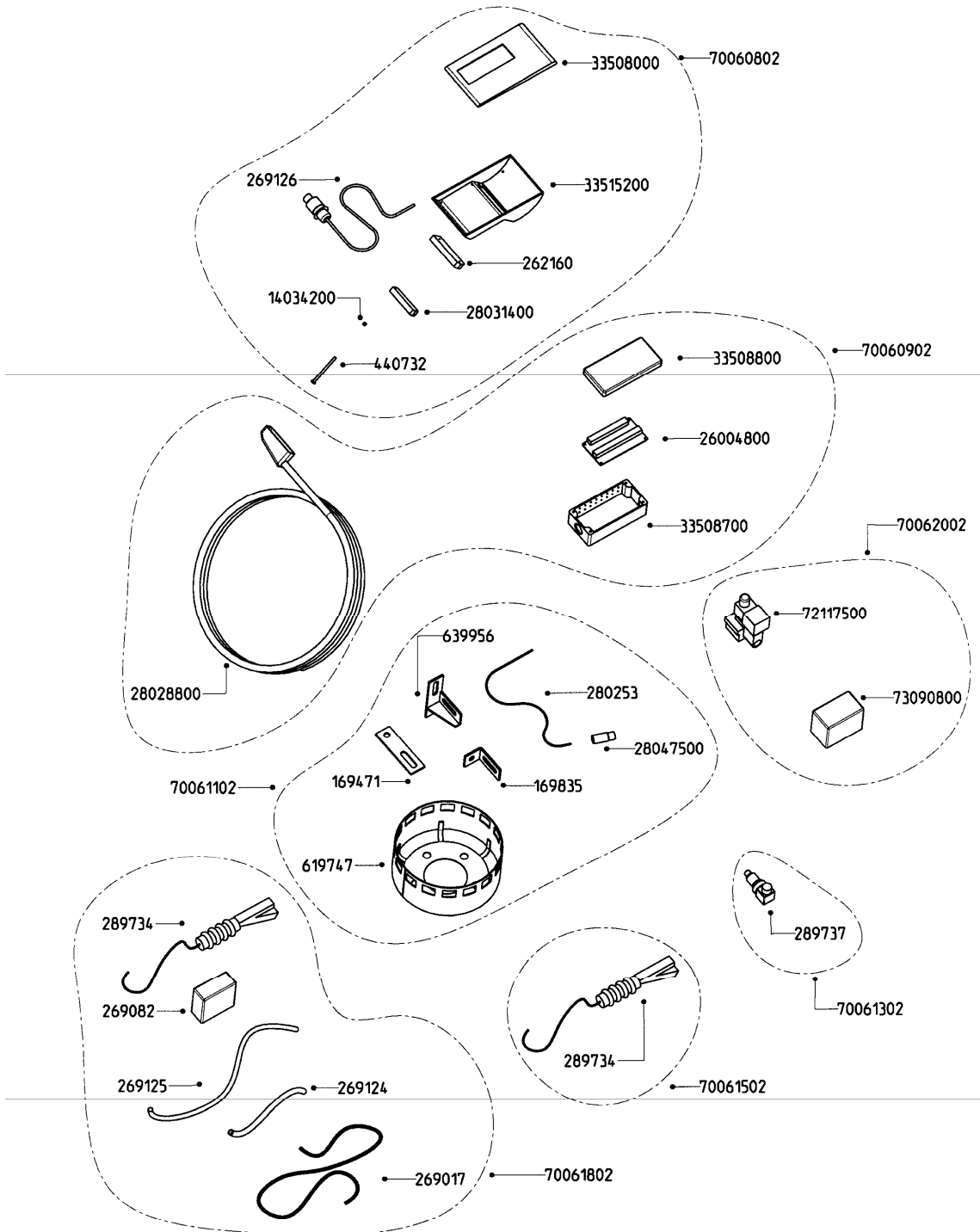
parts-n°	order qty	description
14034200	1	CODE BRACKET FOR 39 PIN CABLE
169471	1	BRACKET, LOWER, HC-2500/3500
169835	1	BRACKET F/ MAGNET HC3500
26004800	1	CIRCUIT BD SEC VLV NCM 13SEC
262160	1	PLUG HOUSING 39 POLE FEMALE
269017	1	269017
269082	1	BOX 90*90*40
269124	1	FUNDA PARA CABLES HWPP(6117031
269125	1	CABLE 8 NUCS 7x0.2x100 MTS
269126	1	CLAVIJA ENCHUFE 12V.(13005CL1)
280253	1	CABLE,EXT F.SENSOR FEM.L=8"
28028800	1	WIRE 37-39 PIN EVC, 16.4'
28031400	1	PLUG 39-POLE FEMALE HC5500
28047500	1	SPEED SENSOR HM
289734	1	BOYA HC3500 HORIZO.(338-9722)
289737	1	TRANS.PRES.G1/4"60 BARS HC3500
33508000	1	HC6400 SETBOX FRONT BLACK/GREY
33508700	1	BOX BOTTOM 160X80X40 BLACK 1-HOLE
33508800	1	LID 160X80X15 BLK W/SCREWS
33515200	1	TAPA POST.GRIS P/HC CAJA CONT
440732	1	PT SCREW 35X12B Z5452 ELZ
619777	1	SPEED SENSOR DISC J6 D.18
639956	1	BRACKET F/WHEEL MAGNETS HC3500
70060902	1	CTO.CAJA CONEX.+CABLE HC3500
70061302	1	CTO.SENSOR PRESION HC3500
70061502	1	CTO.BOYA NIVEL RESERVA HC3500
70061802	1	CTO.EXTENSION NIVELES HC3500
70061902	1	CTO.REGUL+SENSO SV CAUDAL HC35
70062102	1	CTO.SENSOR J6 VELOCIDAD HC3500
72117500	1	FLOW SENSOR - M.AMP L=1M
73090800	1	FLOW HOUSING D.13,5 FOR CB/2



PAC HC350 CBJ5  
3\_112, 21:05:12

Page 0

Date 07.05.2015 13:15





PAC HC350 CBJ5  
3\_112, 21:05:12

Page 1  
Date 07.05.2015 13:15

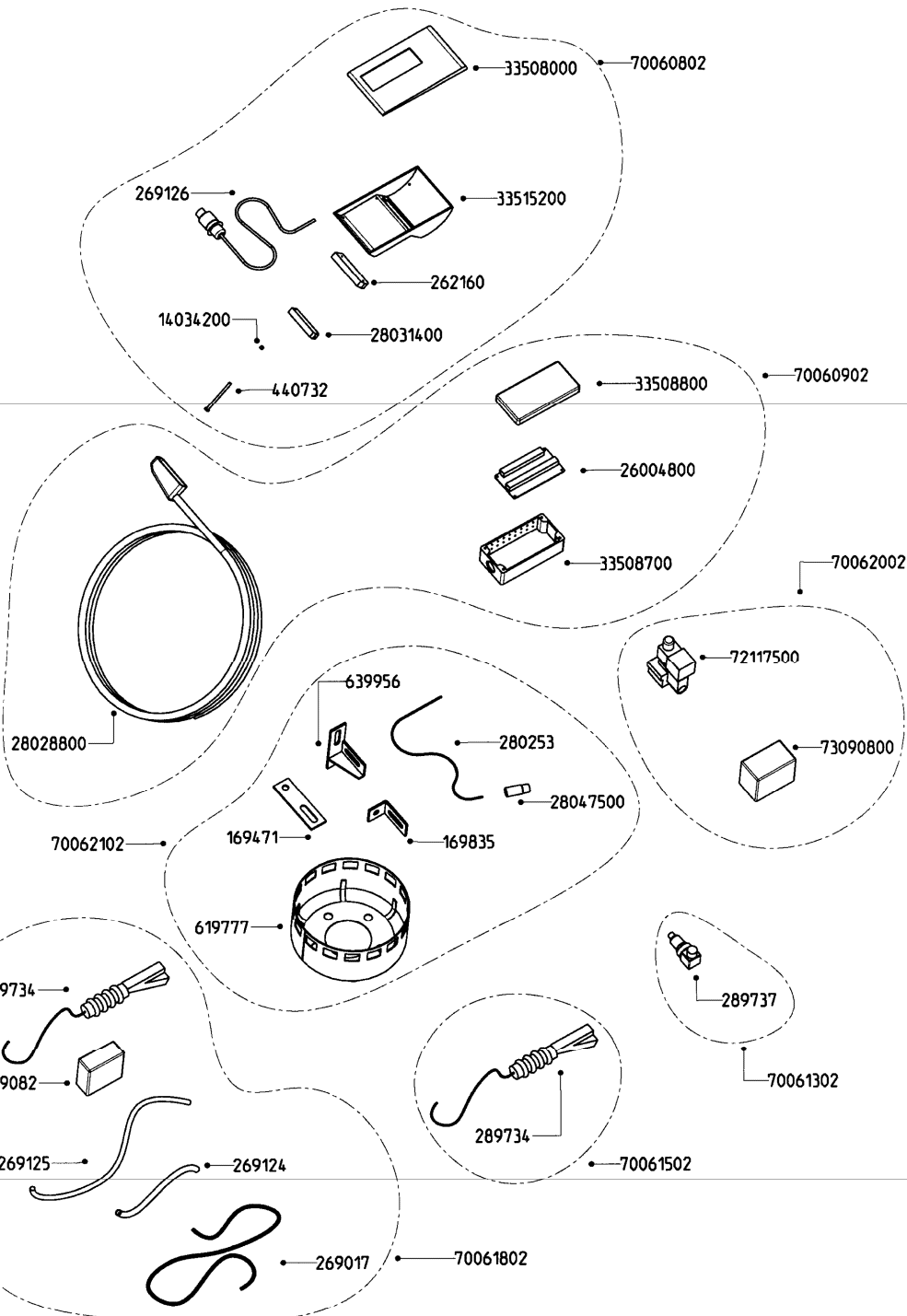
parts-n°	order qty	description
14034200	1	CODE BRACKET FOR 39 PIN CABLE
169471	1	BRACKET, LOWER, HC-2500/3500
169835	1	BRACKET F/ MAGNET HC3500
26004800	1	CIRCUIT BD SEC VLV NCM 13SEC
262160	1	PLUG HOUSING 39 POLE FEMALE
269017	1	269017
269082	1	BOX 90*90*40
269124	1	FUNDA PARA CABLES HWPP(6117031
269125	1	CABLE 8 NUCS 7x0.2x100 MTS
269126	1	CLAVIJA ENCHUFE 12V.(13005CL1)
280253	1	CABLE,EXT F.SENSOR FEM.L=8"
28028800	1	WIRE 37-39 PIN EVC, 16.4'
28031400	1	PLUG 39-POLE FEMALE HC5500
28047500	1	SPEED SENSOR HM
289734	1	BOYA HC3500 HORIZO.(338-9722)
289737	1	TRANS.PRES.G1/4"60 BARS HC3500
33508000	1	HC6400 SETBOX FRONT BLACK/GREY
33508700	1	BOX BOTTOM 160X80X40 BLACK 1-HOLE
33508800	1	LID 160X80X15 BLK W/SCREWS
33515200	1	TAPA POST.GRIS P/HC CAJA CONT
440732	1	PT SCREW 35X12B Z5452 ELZ
619747	1	CTO.DISCO J5 SENSOR VELOCIDAD
639956	1	BRACKET F/WHEEL MAGNETS HC3500
70060802	1	CTO.HC3500 ORDENADOR
70060902	1	CTO.CAJA CONEX.+CABLE HC3500
70061102	1	CTO.SENSOR J5 VELOCIDAD HC3500
70061302	1	CTO.SENSOR PRESION HC3500
70061502	1	CTO.BOYA NIVEL RESERVA HC3500
70061802	1	CTO.EXTENSION NIVELES HC3500
70062002	1	CTO.SENSOR CB CAUDAL HC3500
72117500	1	FLOW SENSOR - M.AMP L=1M
73090800	1	FLOW HOUSING D.13,5 FOR CB/2





PAC HC350 CBJ6  
3\_113, 01:06:12

Page 0  
Date 07.05.2015 13:15





PAC HC350 CBJ6  
3\_113, 01:06:12

Page 1

Date 07.05.2015 13:15

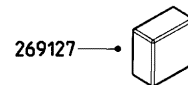
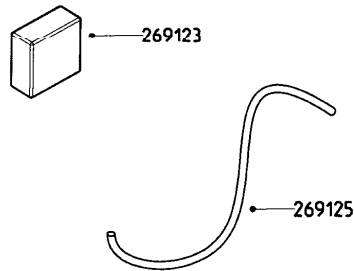
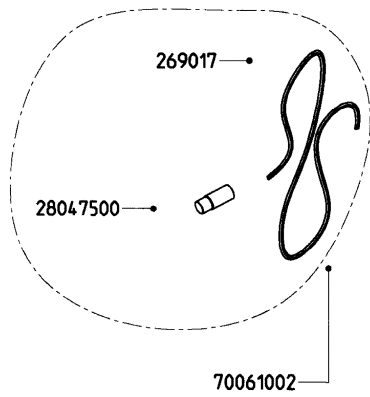
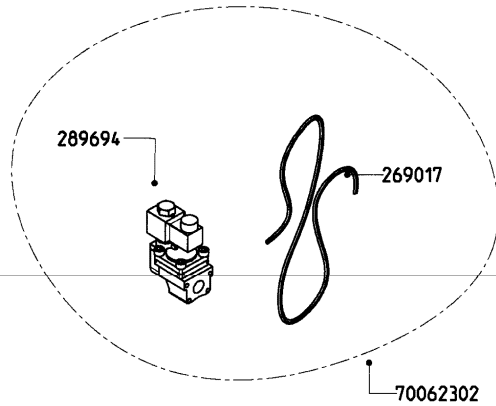
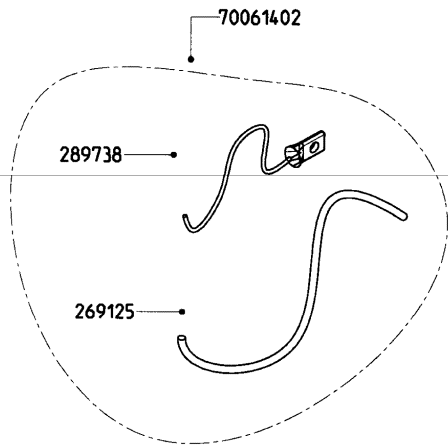
parts-n°	order qty	description
14034200	1	CODE BRACKET FOR 39 PIN CABLE
169471	1	BRACKET, LOWER, HC-2500/3500
169835	1	BRACKET F/ MAGNET HC3500
26004800	1	CIRCUIT BD SEC VLV NCM 13SEC
262160	1	PLUG HOUSING 39 POLE FEMALE
269017	1	269017
269082	1	BOX 90*90*40
269124	1	FUNDA PARA CABLES HWPP(6117031
269125	1	CABLE 8 NUCS 7x0.2x100 MTS
269126	1	CLAVIJA ENCHUFE 12V.(13005CL1)
280253	1	CABLE,EXT F.SENSOR FEM.L=8"
28028800	1	WIRE 37-39 PIN EVC, 16.4'
28031400	1	PLUG 39-POLE FEMALE HC5500
28047500	1	SPEED SENSOR HM
289734	1	BOYA HC3500 HORIZO.(338-9722)
289737	1	TRANS.PRES.G1/4"60 BARS HC3500
33508000	1	HC6400 SETBOX FRONT BLACK/GREY
33508700	1	BOX BOTTOM 160X80X40 BLACK 1-HOLE
33508800	1	LID 160X80X15 BLK W/SCREWS
33515200	1	TAPA POST.GRIS P/HC CAJA CONT
440732	1	PT SCREW 35X12B Z5452 ELZ
619777	1	SPEED SENSOR DISC J6 D.18
639956	1	BRACKET F/WHEEL MAGNETS HC3500
70060802	1	CTO.HC3500 ORDENADOR
70060902	1	CTO.CAJA CONEX.+CABLE HC3500
70061302	1	CTO.SENSOR PRESION HC3500
70061502	1	CTO.BOYA NIVEL RESERVA HC3500
70061802	1	CTO.EXTENSION NIVELES HC3500
70062002	1	CTO.SENSOR CB CAUDAL HC3500
70062102	1	CTO.SENSOR J6 VELOCIDAD HC3500
72117500	1	FLOW SENSOR - M.AMP L=1M
73090800	1	FLOW HOUSING D.13,5 FOR CB/2



PAC TECNICO HC3500  
3\_114, 21:05:12

Page 0

Date 07.05.2015 13:15





PAC TECNICO HC3500  
3\_114, 21:05:12

Page 1

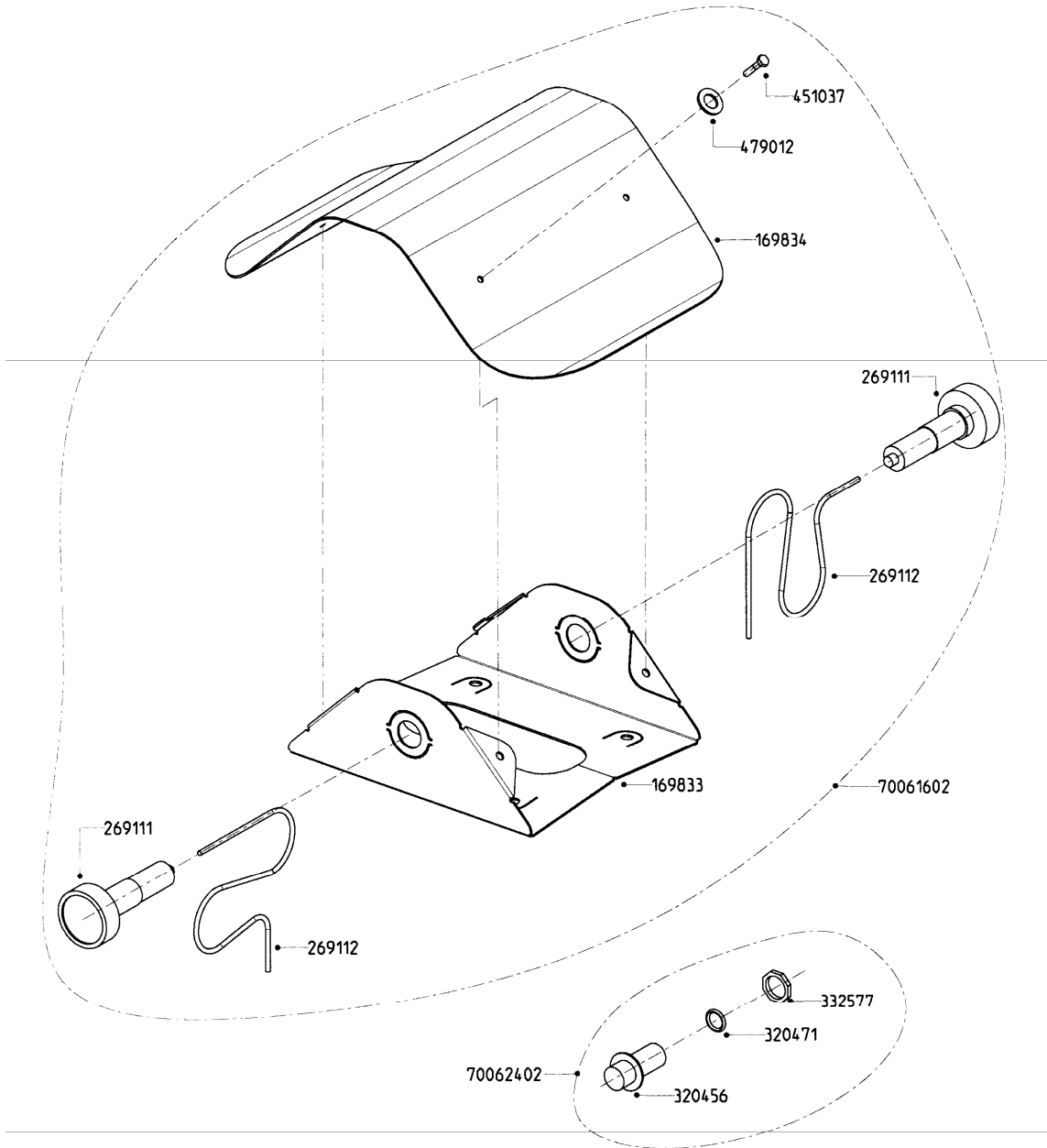
Date 07.05.2015 13:15

parts-n°	order qty	description
269017	1	269017
269123	1	CAJA 64x43x25 CIRCUI.(3145213)
269125	1	CABLE 8 NUCS 7x0.2x100 MTS
269127	1	TERM EMPALME 0.5-1.5 (534907)
28047500	1	SPEED SENSOR HM
289694	1	ELECTROVAL.M-05 1/2"H (C3001-
289738	1	SONDA TEMPERATURA HC3500
70061002	1	CTO.SENSOR RPM HC3500
70061402	1	CTO.SENSOR TEMPERATURA HC3500
70062302	1	CTO.VALV.AGITACION HC3500



PAC 2 DETECTORES HC3500  
3\_115, 21:05:12

Page	0
Date	07.05.2015 13:15





PAC 2 DETECTORES HC3500  
3\_115, 21:05:12

Page 1

Date 07.05.2015 13:15

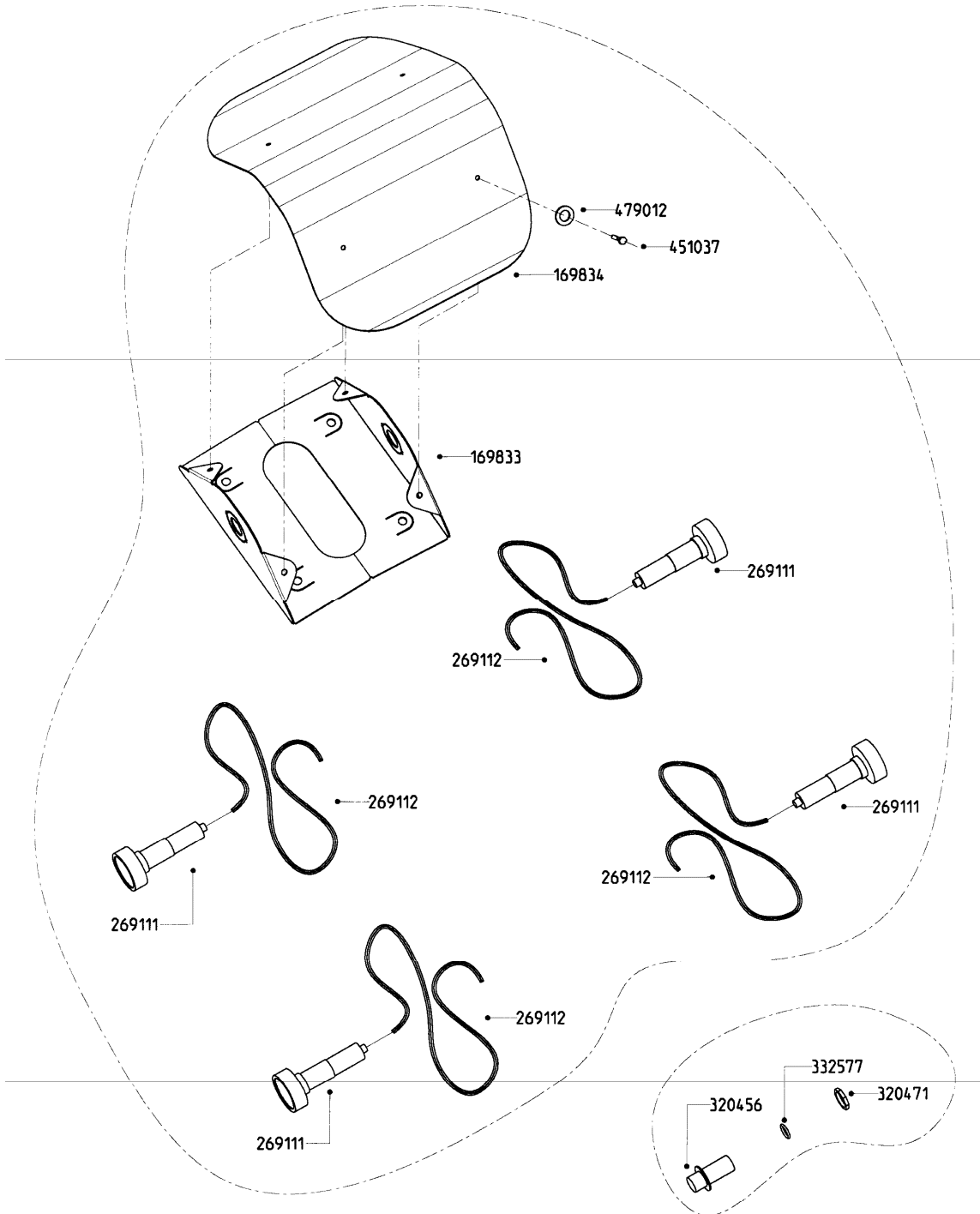
parts-n°	order qty	description
169833	1	CHAPA 530x320x2 INF.2 PLEGADA
169834	1	CHAPA 551x380x2 SUP.2 PLEGADA
269111	1	BERO 12/30 V (MIC-601/D/HV-M30
269112	1	CABLE 4 POLOS 4H(804001P03M050
320456	1	FITT.DK BULKHEAD 1"BSP DOUBLE
320471	1	FITT.DK NUT 1" BSP JAMB
332577	1	O-RING D38/D30X4 F.1" PUR.
451037	1	SCREW M6X20 HEX
479012	1	WASHER
70061602	1	CTO.SENSOR SONICO 2-DETEC.6M
70062402	1	CTO.FUNDA CABLES DEPOS.HC3500



PAC 4 DETECTORES HC 3500  
3\_116, 21:05:12

Page 0

Date 07.05.2015 13:15





PAC 4 DETECTORES HC 3500  
3\_116, 21:05:12

Page 1

Date 07.05.2015 13:15

parts-n°	order qty	description
169833	1	CHAPA 530x320x2 INF.2 PLEGADA
169834	1	CHAPA 551x380x2 SUP.2 PLEGADA
269111	1	BERO 12/30 V (MIC-601/D/HV-M30
269112	1	CABLE 4 POLOS 4H(804001P03M050
320456	1	FITT.DK BULKHEAD 1"BSP DOUBLE
320471	1	FITT.DK NUT 1" BSP JAMB
332577	1	O-RING D38/D30X4 F.1" PUR.
451037	1	SCREW M6X20 HEX
479012	1	WASHER

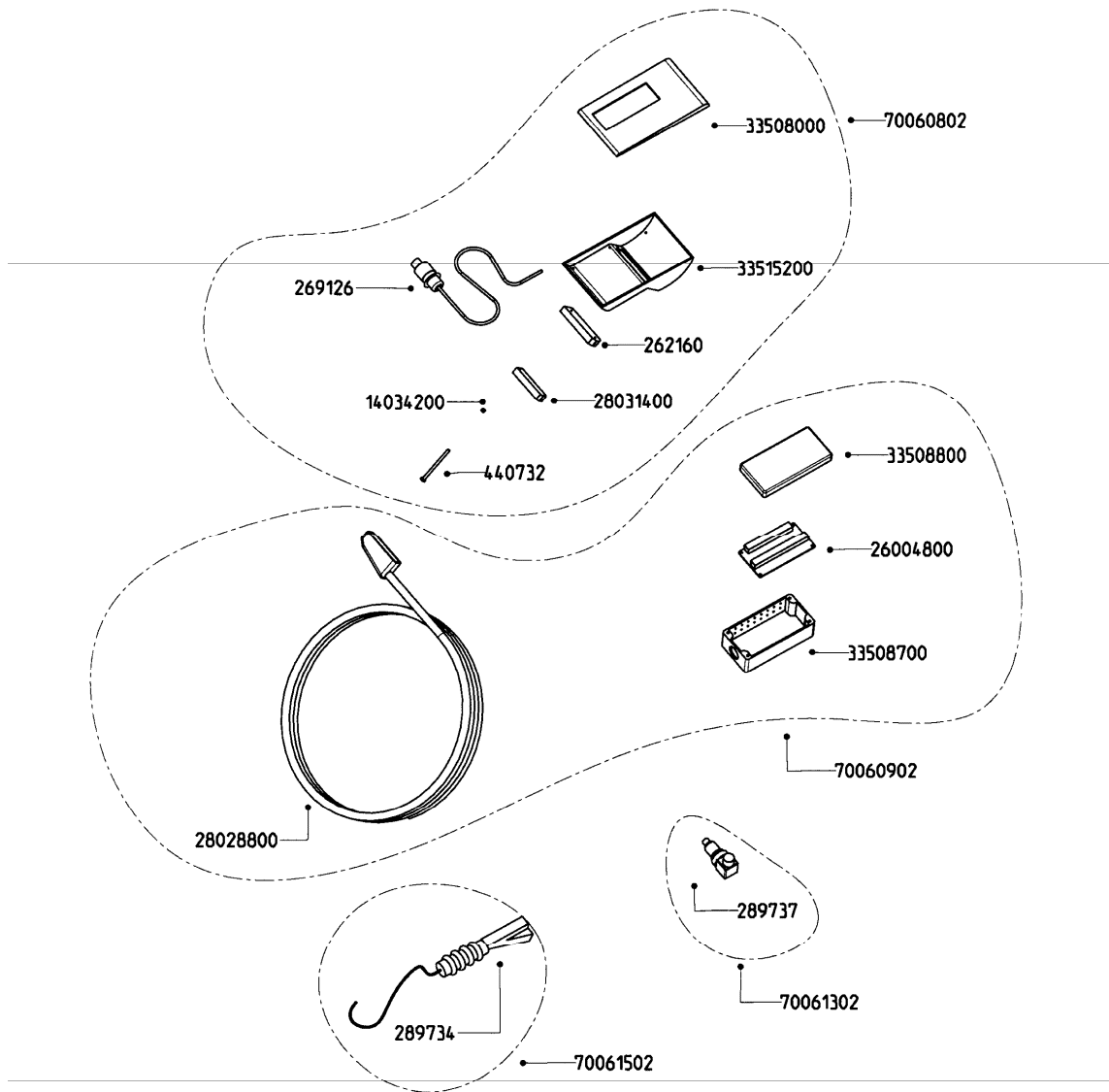




PAC HC3400 BASICO  
3\_117, 21:05:12

Page 0

Date 07.05.2015 13:15





PAC HC3400 BASICO  
3\_117, 21:05:12

Page 1

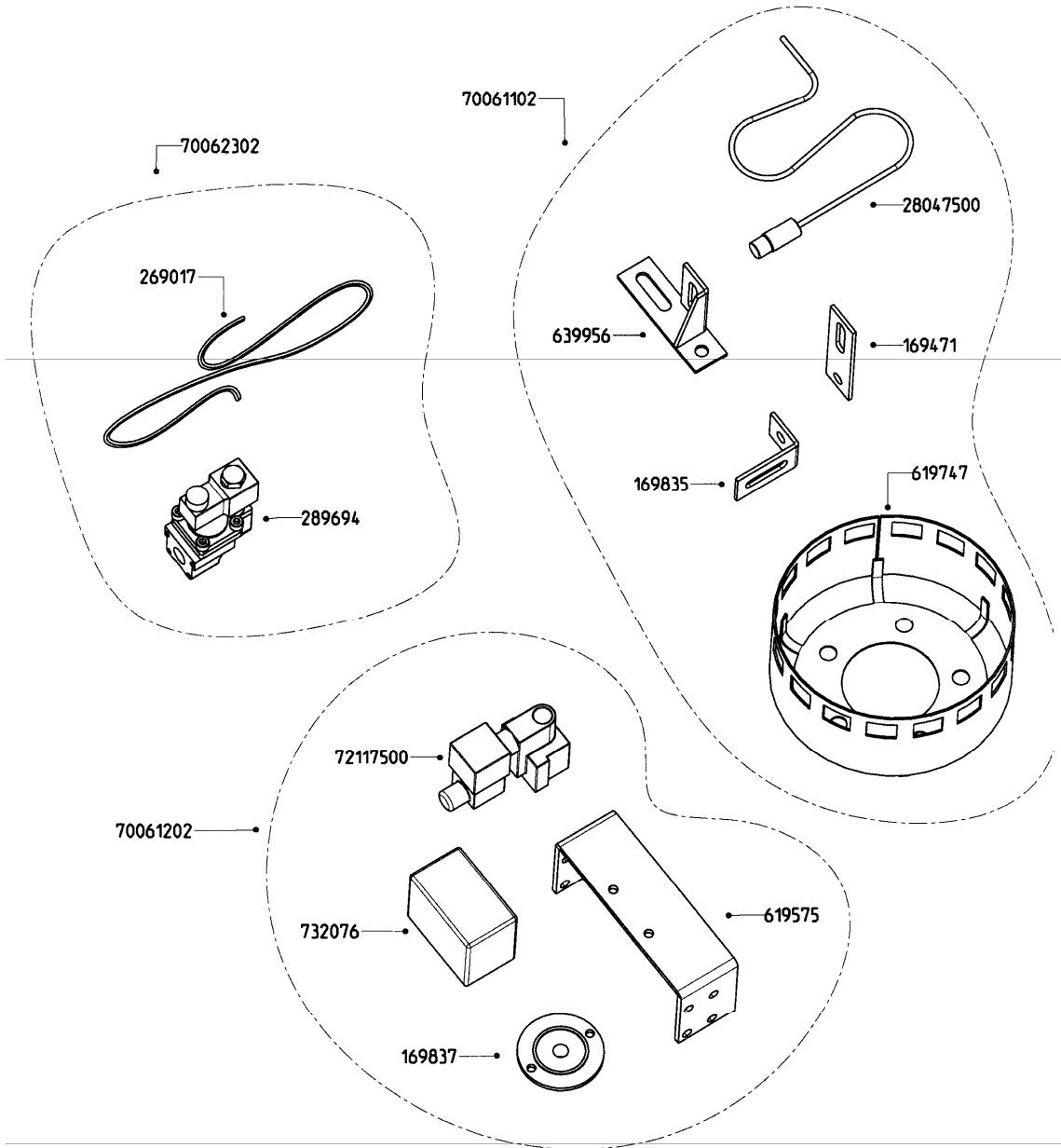
Date 07.05.2015 13:15

parts-n°	order qty	description
14034200	1	CODE BRACKET FOR 39 PIN CABLE
26004800	1	CIRCUIT BD SEC VLV NCM 13SEC
262160	1	PLUG HOUSING 39 POLE FEMALE
269126	1	CLAVIJA ENCHUFE 12V. (13005CL1)
28028800	1	WIRE 37-39 PIN EVC, 16.4'
28031400	1	PLUG 39-POLE FEMALE HC5500
289734	1	BOYA HC3500 HORIZO. (338-9722)
289737	1	TRANS.PRES.G1/4"60 BARS HC3500
33508000	1	HC6400 SETBOX FRONT BLACK/GREY
33508700	1	BOX BOTTOM 160X80X40 BLACK 1-HOLE
33508800	1	LID 160X80X15 BLK W/SCREWS
33515200	1	TAPA POST.GRIS P/HC CAJA CONT
440732	1	PT SCREW 35X12B Z5452 ELZ
70060802	1	CTO.HC3500 ORDENADOR
70060902	1	CTO.CAJA CONEX.+CABLE HC3500
70061302	1	CTO.SENSOR PRESION HC3500
70061502	1	CTO.BOYA NIVEL RESERVA HC3500



PAC TECNICO HC3400 J5-EVC  
3\_118, 21:05:12

Page 0  
Date 07.05.2015 13:15





PAC TECNICO HC3400 J5-EVC  
3\_118, 21:05:12

Page 1

Date 07.05.2015 13:15

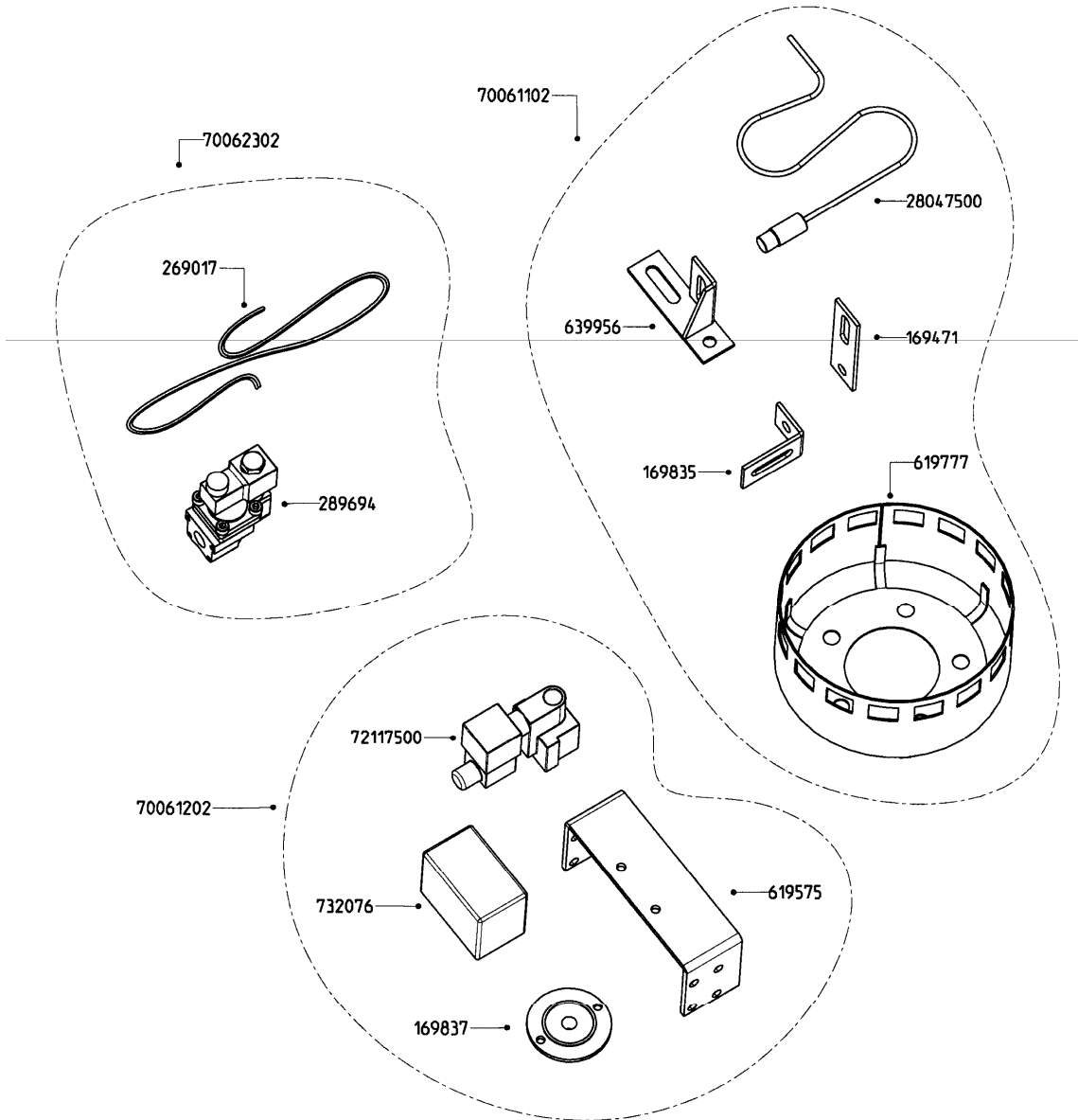
parts-n°	order qty	description
169471	1	BRACKET, LOWER, HC-2500/3500
169835	1	BRACKET F/ MAGNET HC3500
169837	1	CASQUI.TAPA D.85 COLEC.CAUDAL.
269017	1	269017
28047500	1	SPEED SENSOR HM
289694	1	ELECTROVAL.M-05 1/2"H (C3001-
619575	1	MERCURY CB/2 OP. UNIT SUPPORT
619747	1	CTO.DISCO J5 SENSOR VELOCIDAD
639956	1	BRACKET F/WHEEL MAGNETS HC3500
70061102	1	CTO.SENSOR J5 VELOCIDAD HC3500
70061202	1	CTO.SENSOR EVC CAUDAL HC3500
70062302	1	CTO.VALV.AGITACION HC3500
72117500	1	FLOW SENSOR - M.AMP L=1M
732076	1	FLOW HOUSE Ø13,5 EVC+BK+SC



PAC TECNICO HC3400 J6-EVC  
3\_119, 21:05:12

Page 0

Date 07.05.2015 13:15



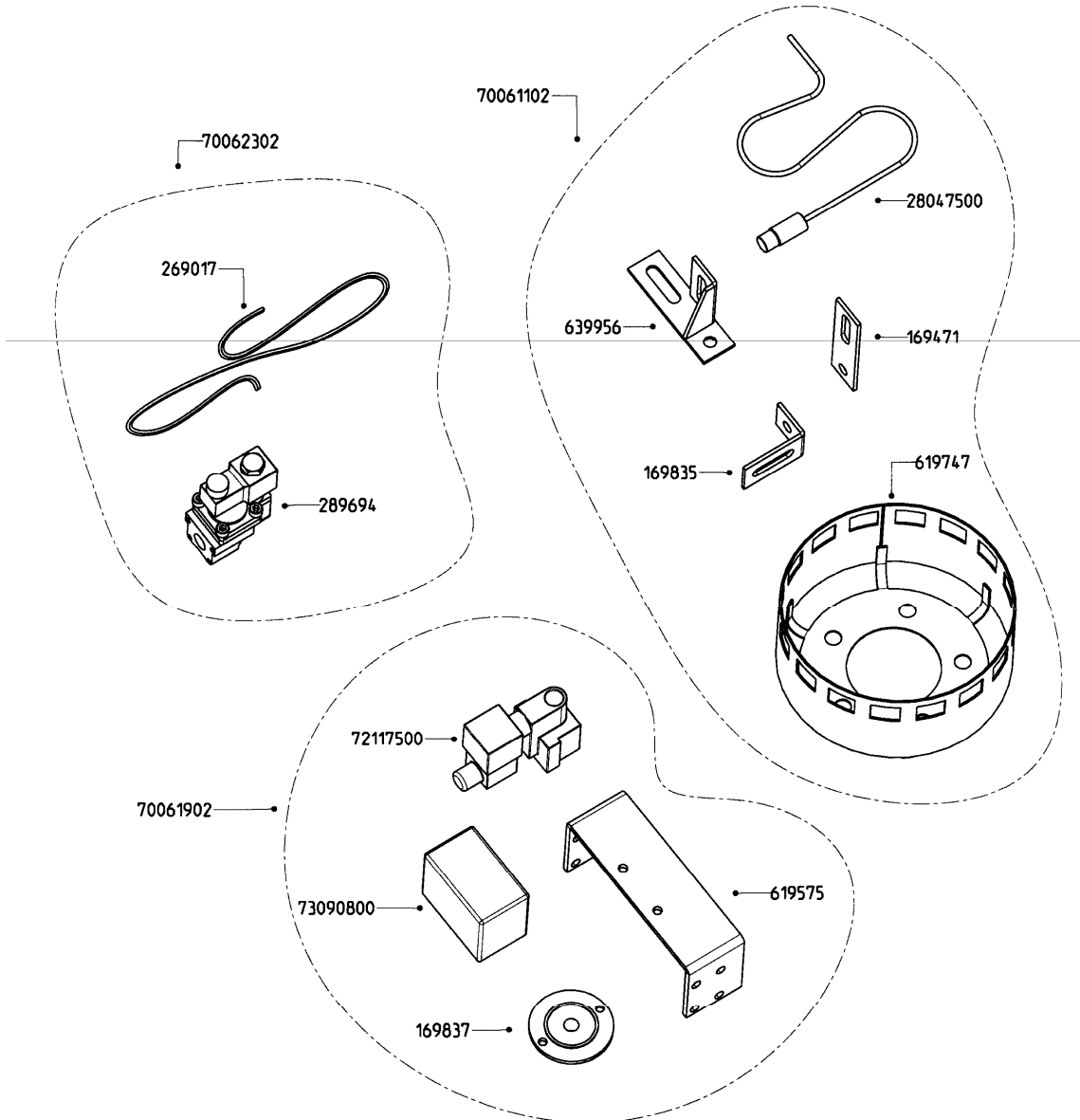


PAC TECNICO HC3400 J6-EVC  
3\_119, 21:05:12

Page 1

Date 07.05.2015 13:15

parts-n°	order qty	description
169471	1	BRACKET, LOWER, HC-2500/3500
169835	1	BRACKET F/ MAGNET HC3500
169837	1	CASQUI.TAPA D.85 COLEC.CAUDAL.
269017	1	269017
28047500	1	SPEED SENSOR HM
289694	1	ELECTROVAL.M-05 1/2"H (C3001-
619575	1	MERCURY CB/2 OP. UNIT SUPPORT
619777	1	SPEED SENSOR DISC J6 D.18
639956	1	BRACKET F/WHEEL MAGNETS HC3500
70061102	1	CTO.SENSOR J5 VELOCIDAD HC3500
70061202	1	CTO.SENSOR EVC CAUDAL HC3500
70062302	1	CTO.VALV.AGITACION HC3500
72117500	1	FLOW SENSOR - M.AMP L=1M
732076	1	FLOW HOUSE Ø13,5 EVC+BK+SC





PAC TECNICO HC3400 J5-SV  
3\_120, 21:05:12

Page 1

Date 07.05.2015 13:15

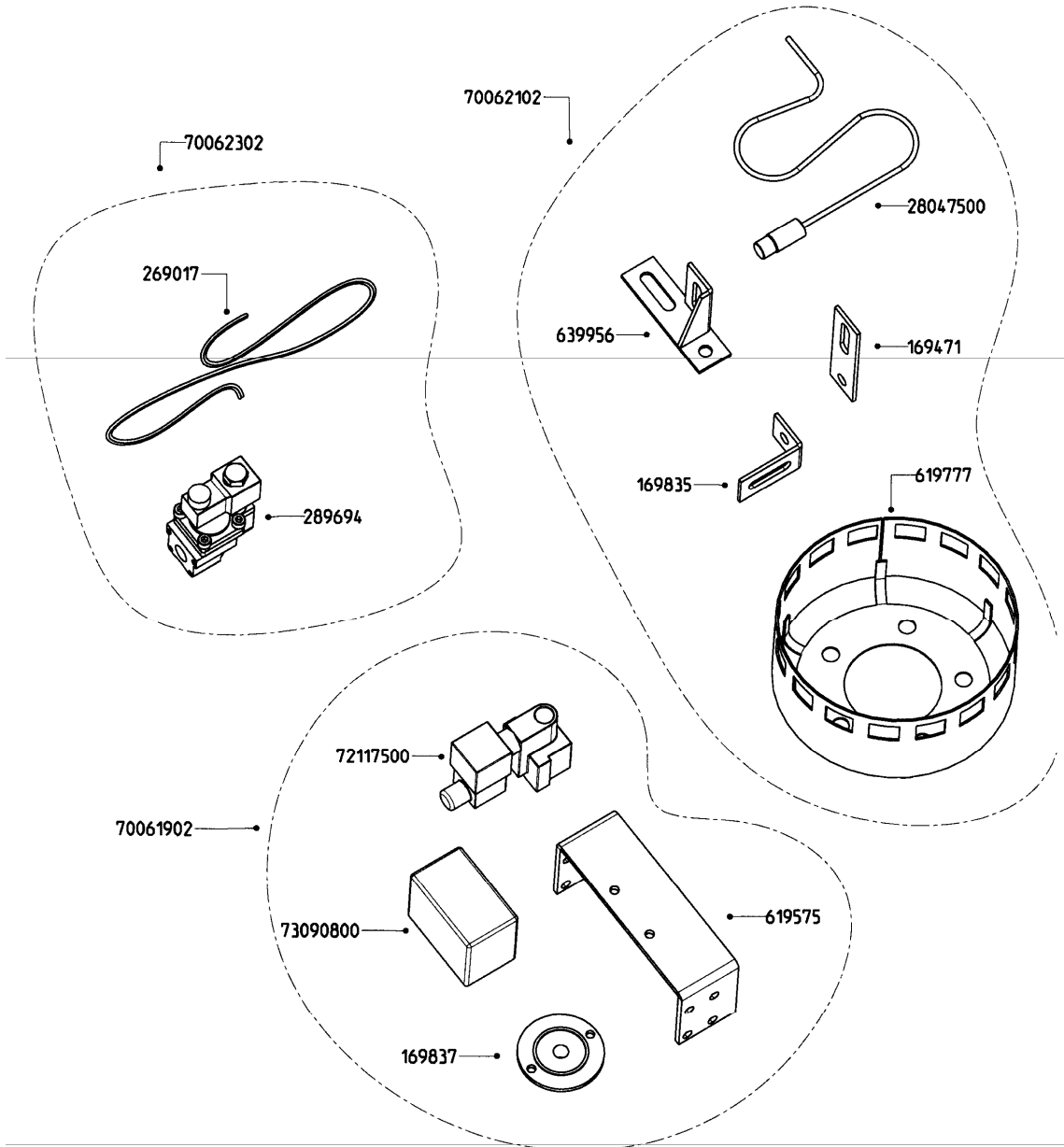
parts-n°	order qty	description
169471	1	BRACKET, LOWER, HC-2500/3500
169835	1	BRACKET F/ MAGNET HC3500
169837	1	CASQUI.TAPA D.85 COLEC.CAUDAL.
269017	1	269017
28047500	1	SPEED SENSOR HM
289694	1	ELECTROVAL.M-05 1/2"H (C3001-
619575	1	MERCURY CB/2 OP. UNIT SUPPORT
619747	1	CTO.DISCO J5 SENSOR VELOCIDAD
639956	1	BRACKET F/WHEEL MAGNETS HC3500
70061102	1	CTO.SENSOR J5 VELOCIDAD HC3500
70061902	1	CTO.REGUL+SENSO SV CAUDAL HC35
70062302	1	CTO.VALV.AGITACION HC3500
72117500	1	FLOW SENSOR - M.AMP L=1M
73090800	1	FLOW HOUSING D.13,5 FOR CB/2





PAC TECNICO HC 3400 J6-SV  
3\_121, 21:05:12

Page 0  
Date 07.05.2015 13:15





PAC TECNICO HC 3400 J6-SV  
3\_121, 21:05:12

Page 1

Date 07.05.2015 13:15

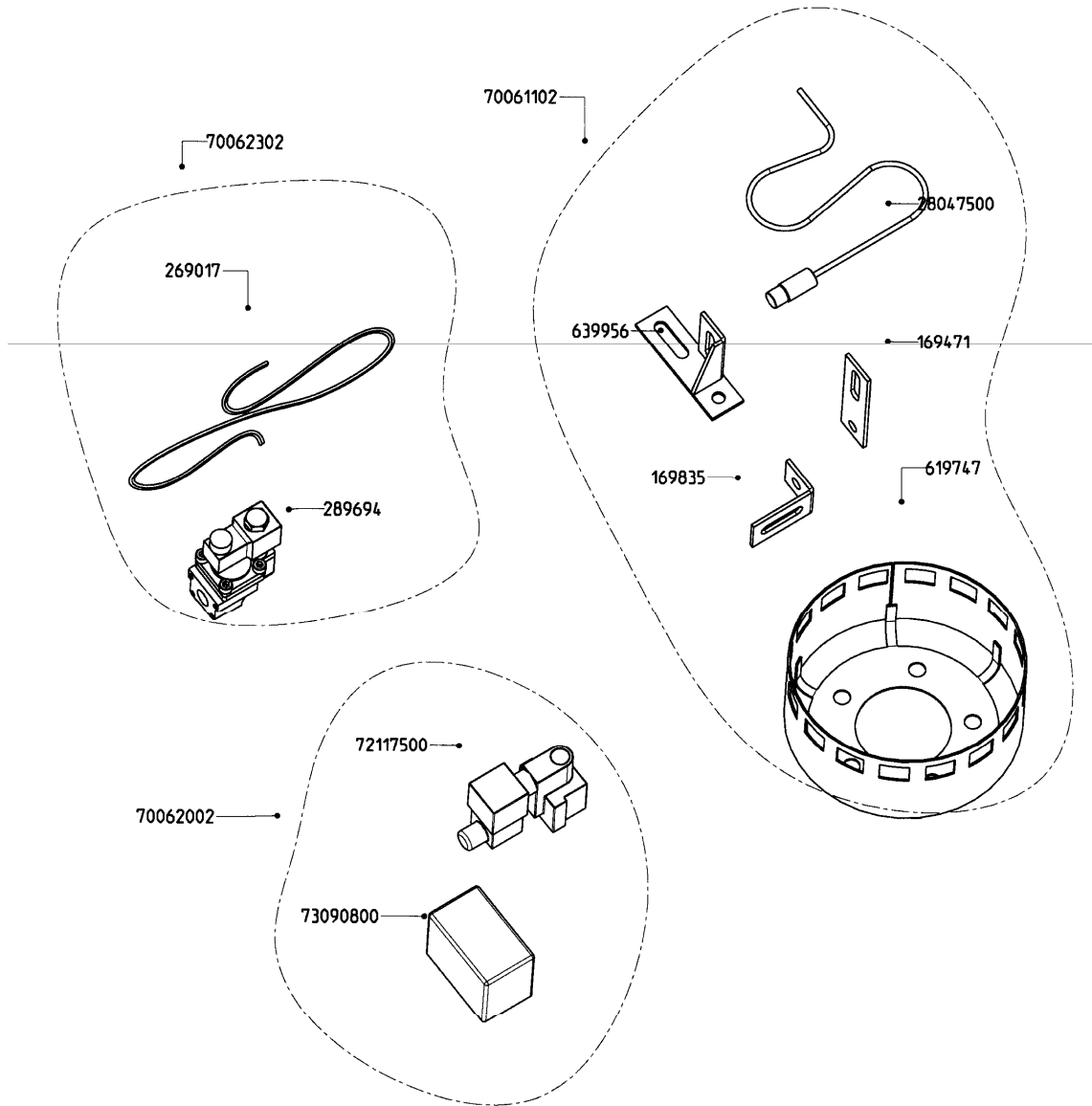
parts-n°	order qty	description
169471	1	BRACKET, LOWER, HC-2500/3500
169835	1	BRACKET F/ MAGNET HC3500
169837	1	CASQUI.TAPA D.85 COLEC.CAUDAL.
269017	1	269017
28047500	1	SPEED SENSOR HM
289694	1	ELECTROVAL.M-05 1/2"H (C3001-
619575	1	MERCURY CB/2 OP. UNIT SUPPORT
619777	1	SPEED SENSOR DISC J6 D.18
639956	1	BRACKET F/WHEEL MAGNETS HC3500
70061902	1	CTO.REGUL+SENSO SV CAUDAL HC35
70062102	1	CTO.SENSOR J6 VELOCIDAD HC3500
70062302	1	CTO.VALV.AGITACION HC3500
72117500	1	FLOW SENSOR - M.AMP L=1M
73090800	1	FLOW HOUSING D.13,5 FOR CB/2



PAC TECNICO HC3400 J5-CB  
3\_122, 21:05:12

Page 0

Date 07.05.2015 13:15





PAC TECNICO HC3400 J5-CB  
3\_122, 21:05:12

Page 1

Date 07.05.2015 13:15

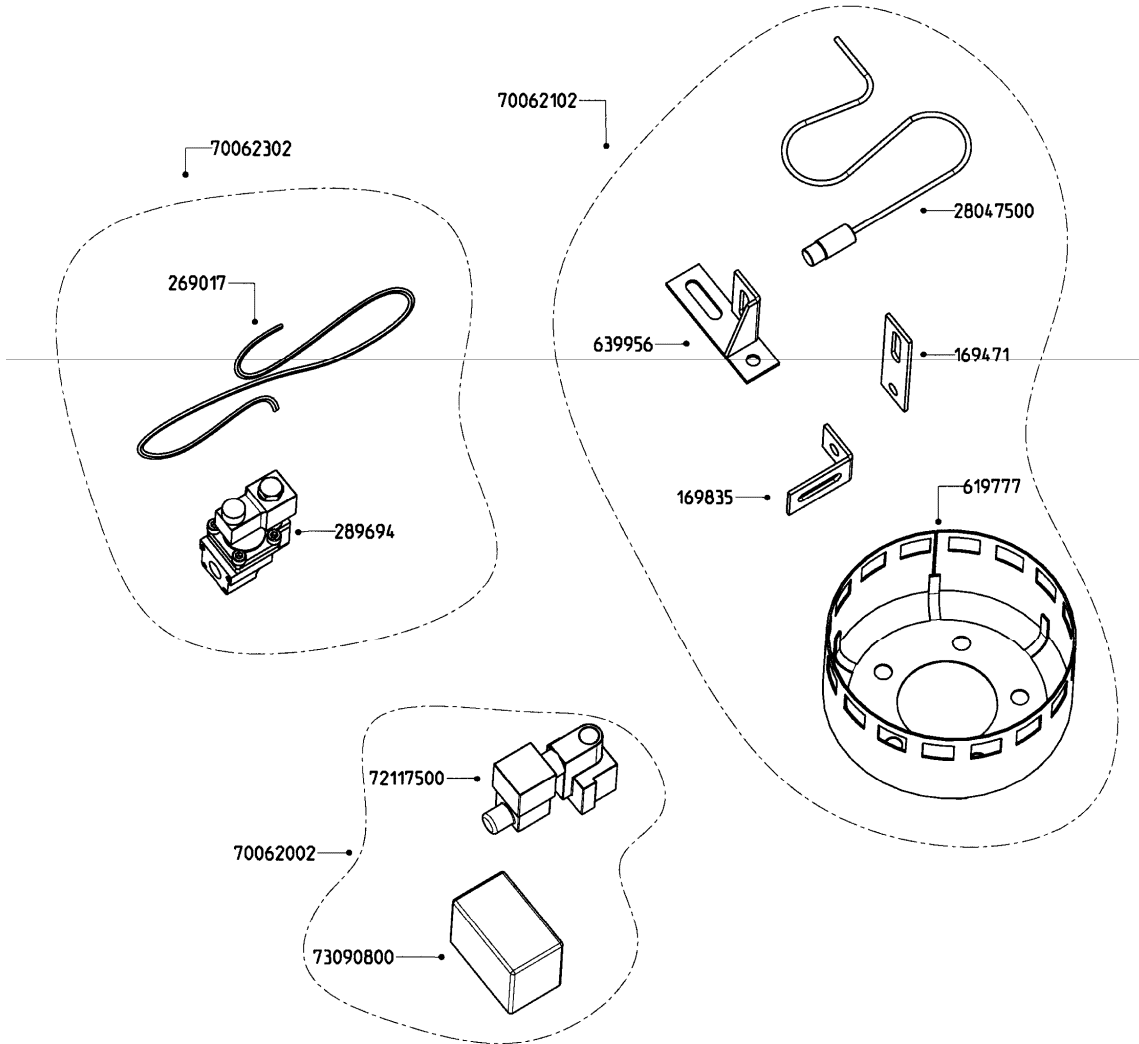
parts-n°	order qty	description
169471	1	BRACKET, LOWER, HC-2500/3500
169835	1	BRACKET F/ MAGNET HC3500
269017	1	269017
28047500	1	SPEED SENSOR HM
289694	1	ELECTROVAL.M-05 1/2"H (C3001-
619747	1	CTO.DISCO J5 SENSOR VELOCIDAD
639956	1	BRACKET F/WHEEL MAGNETS HC3500
70061102	1	CTO.SENSOR J5 VELOCIDAD HC3500
70062002	1	CTO.SENSOR CB CAUDAL HC3500
70062302	1	CTO.VALV.AGITACION HC3500
72117500	1	FLOW SENSOR - M.AMP L=1M
73090800	1	FLOW HOUSING D.13,5 FOR CB/2



PAC TECNICO HC3400 J6-CB  
3\_123, 21:05:12

Page 0

Date 07.05.2015 13:15





PAC TECNICO HC3400 J6-CB  
3\_123, 21:05:12

Page 1

Date 07.05.2015 13:15

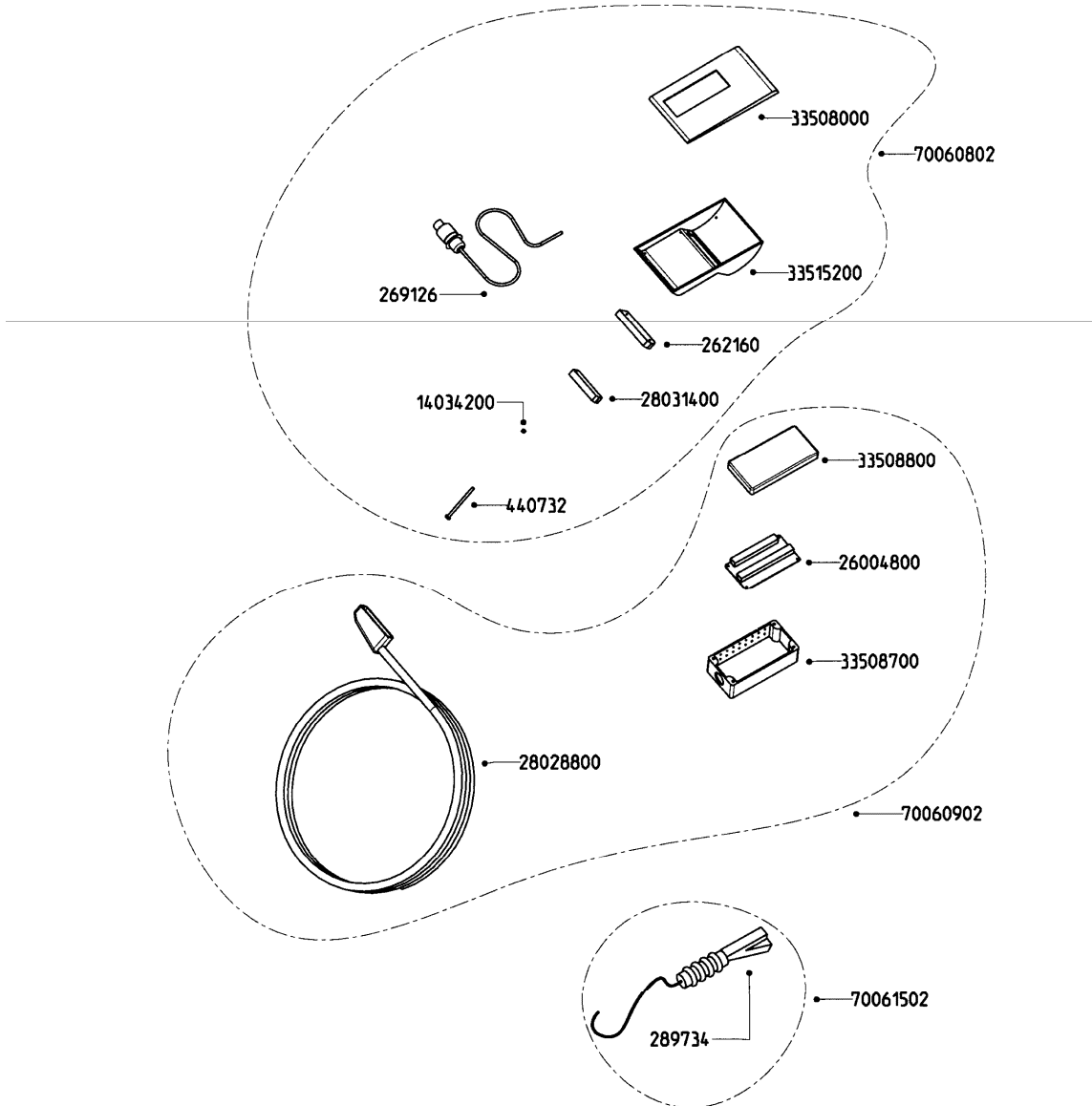
parts-n°	order qty	description
169471	1	BRACKET, LOWER, HC-2500/3500
169835	1	BRACKET F/ MAGNET HC3500
269017	1	269017
28047500	1	SPEED SENSOR HM
289694	1	ELECTROVAL.M-05 1/2"H (C3001-
619777	1	SPEED SENSOR DISC J6 D.18
639956	1	BRACKET F/WHEEL MAGNETS HC3500
70062002	1	CTO.SENSOR CB CAUDAL HC3500
70062102	1	CTO.SENSOR J6 VELOCIDAD HC3500
70062302	1	CTO.VALV.AGITACION HC3500
72117500	1	FLOW SENSOR - M.AMP L=1M
73090800	1	FLOW HOUSING D.13,5 FOR CB/2



PAC HC3300 BASICO  
3\_124, 21:05:12

Page 0

Date 07.05.2015 13:15





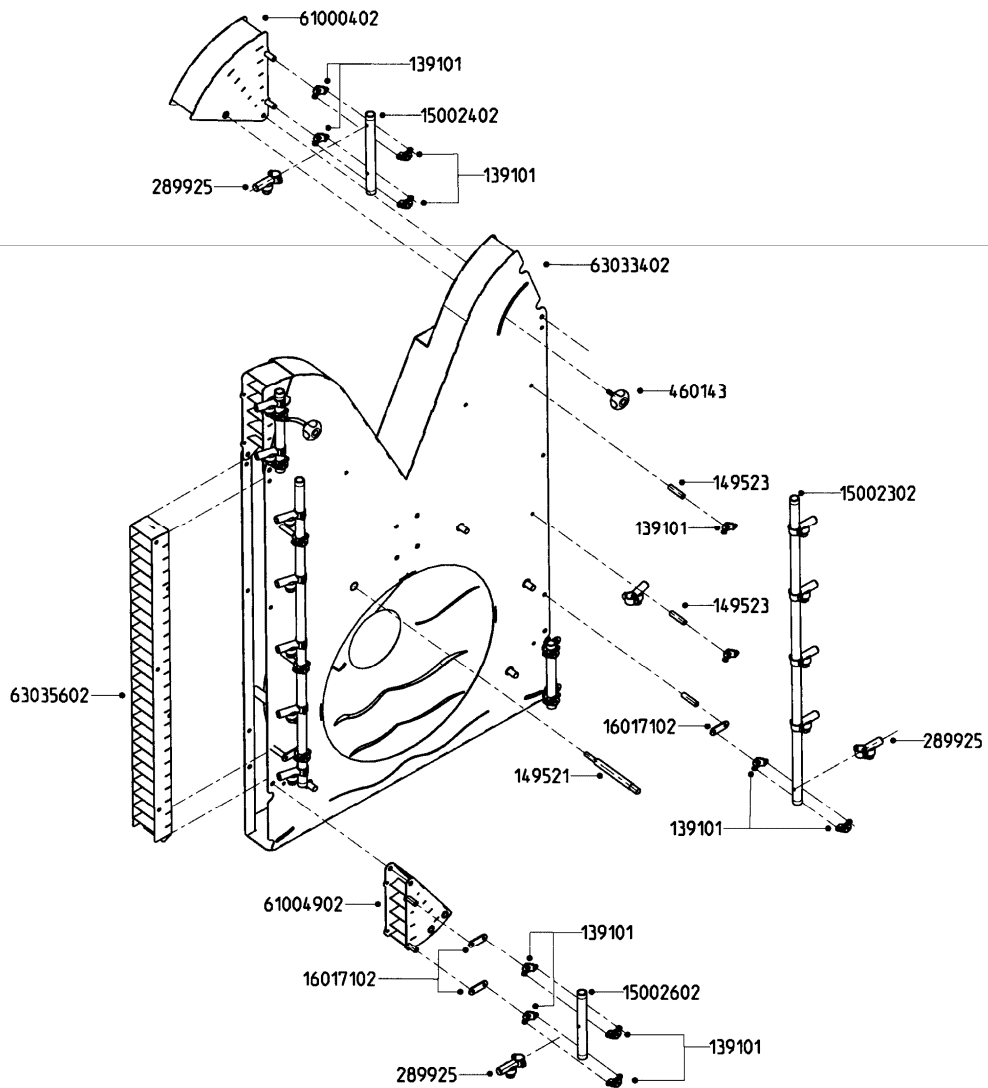
PAC HC3300 BASICO  
3\_124, 21:05:12

Page 1

Date 07.05.2015 13:15

parts-n°	order qty	description
14034200	1	CODE BRACKET FOR 39 PIN CABLE
26004800	1	CIRCUIT BD SEC VLV NCM 13SEC
262160	1	PLUG HOUSING 39 POLE FEMALE
269126	1	CLAVIJA ENCHUFE 12V.(13005CL1)
28028800	1	WIRE 37-39 PIN EVC, 16.4'
28031400	1	PLUG 39-POLE FEMALE HC5500
289734	1	BOYA HC3500 HORIZO.(338-9722)
33508000	1	HC6400 SETBOX FRONT BLACK/GREY
33508700	1	BOX BOTTOM 160X80X40 BLACK 1-HOLE
33508800	1	LID 160X80X15 BLK W/SCREWS
33515200	1	TAPA POST.GRIS P/HC CAJA CONT
440732	1	PT SCREW 35X12B Z5452 ELZ
70060802	1	CTO.HC3500 ORDENADOR
70060902	1	CTO.CAJA CONEX.+CABLE HC3500
70061502	1	CTO.BOYA NIVEL RESERVA HC3500







PAC AG650 DEFLECTOR PLUS  
4\_458, 04:06:12

Page 1

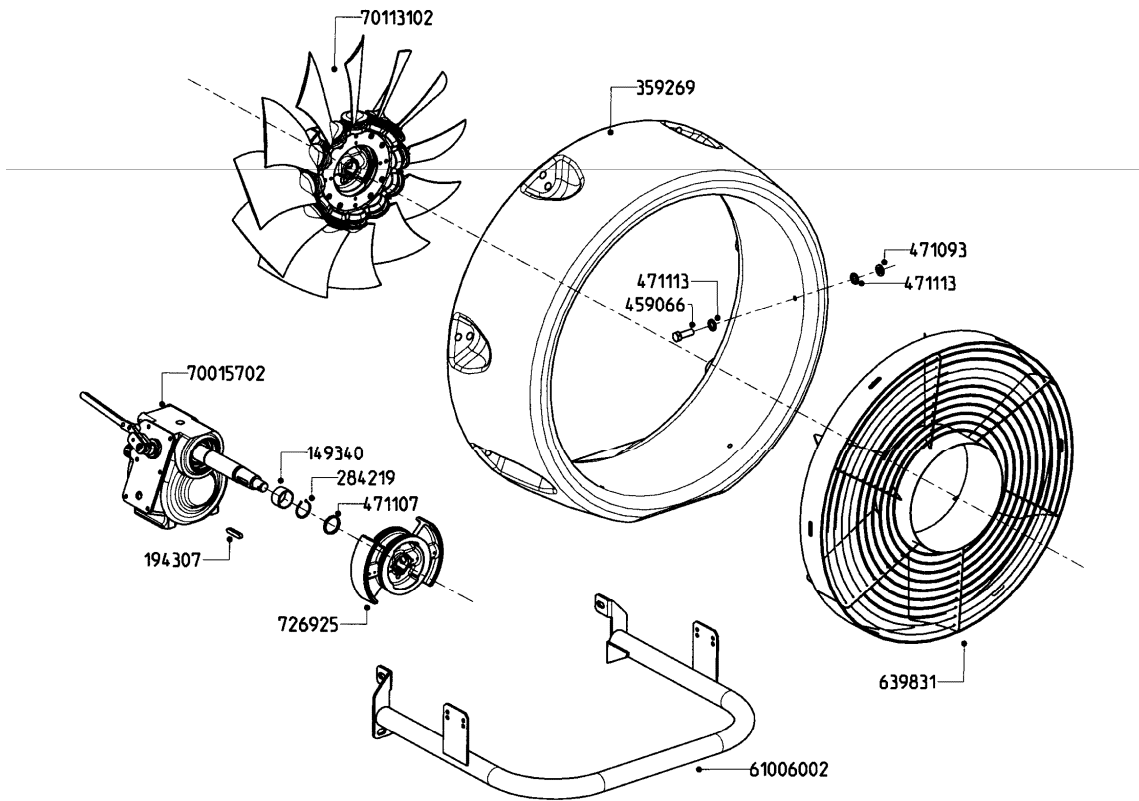
Date 07.05.2015 13:15

parts-n°	order qty	description
139101	1	NOZZLE CLAMP F. MERCURY
149521	1	EJE D.16x190 SUJEC.DEFLEC.750
15002302	1	TUBO D.22x960 ARCO DEFLEC.PLUS
15002402	1	TUBO D.22x245 ARCO SUPER.AB650
15002602	1	TUBO D.22x200 ARCO INFERIOR
16017102	1	CHAPA 55x20x3 ARCO PINTADA
289925	1	JET 3/8"SIMPLE M272 ANTIG.BR.
460143	1	NUT HEX M8 LOCK A2 DIN985
61000402	1	ALERON SUPER.AB650-PLUS
61004902	1	ALERON INFER.DCH.AB650-PLUS
63033402	1	BASE DEFLECTOR AB650-PLUS
63035602	1	CANALIZADOR AIRE AB650-PLUS
149523	1	REDONDO D.12x50 SOP.VIÑA PLUS



CTO AG750 DEFLECTOR 12P+18-22  
4\_457, 18:05:12

Page	0
Date	07.05.2015 13:15





CTO AG750 DEFLECTOR 12P+18-22  
4\_457, 18:05:12

Page 1

Date 07.05.2015 13:15

parts-n°	order qty	description
149340	1	SPACER F920 F/BIMA SHAFT
194307	1	KEY 10 X 8 X 40
284219	1	SNAP-RING OUTER 40X1.75
359269	1	TOBERA POLYETILENO 750 ZE/ZA
459066	1	BOLT HEX 12.9 M14X40 DIN-912
471093	1	WASHER D14 GALV. (168873)
471107	1	WASHER D50,6D40,1X5
471113	1	WASHER D14 TENSION
61006002	1	PARACHOQUE AG750 LUNIS
639831	1	REJA ENTRA.6 PALAS AG750 POL.ZE/
70015702	1	GEAR BOX AXIAL 18-22
70113102	1	HELICE 750 M-WING 12PAL+HEMBRA
726925	1	CENTRIFUGAL CLUTCH D. 245



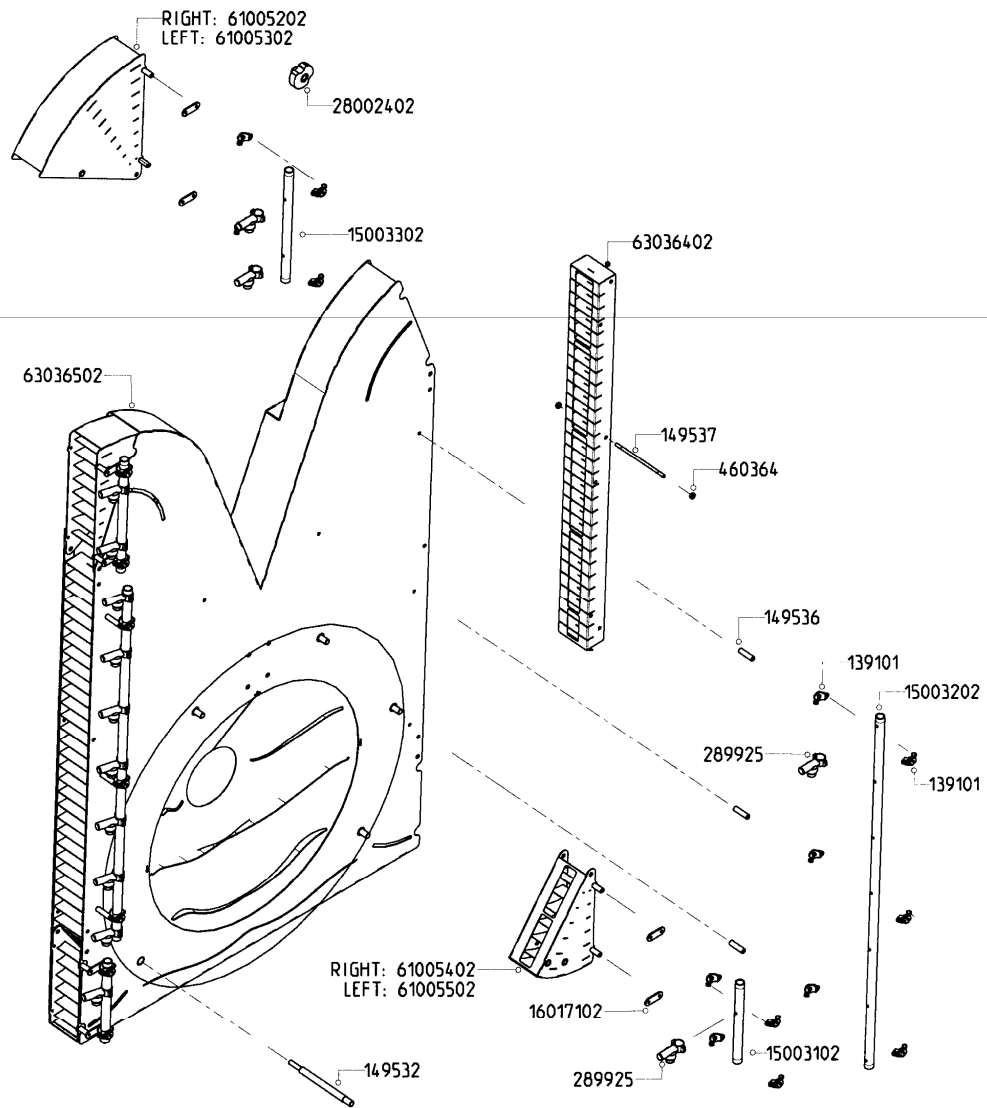
CTO BASE DEFLECTOR AG 820 PLUS  
4\_456, 18:05:12

Page

0

Date

07.05.2015 13:15





CTO BASE DEFLECTOR AG 820 PLUS  
4\_456, 18:05:12

Page 1

Date 07.05.2015 13:15

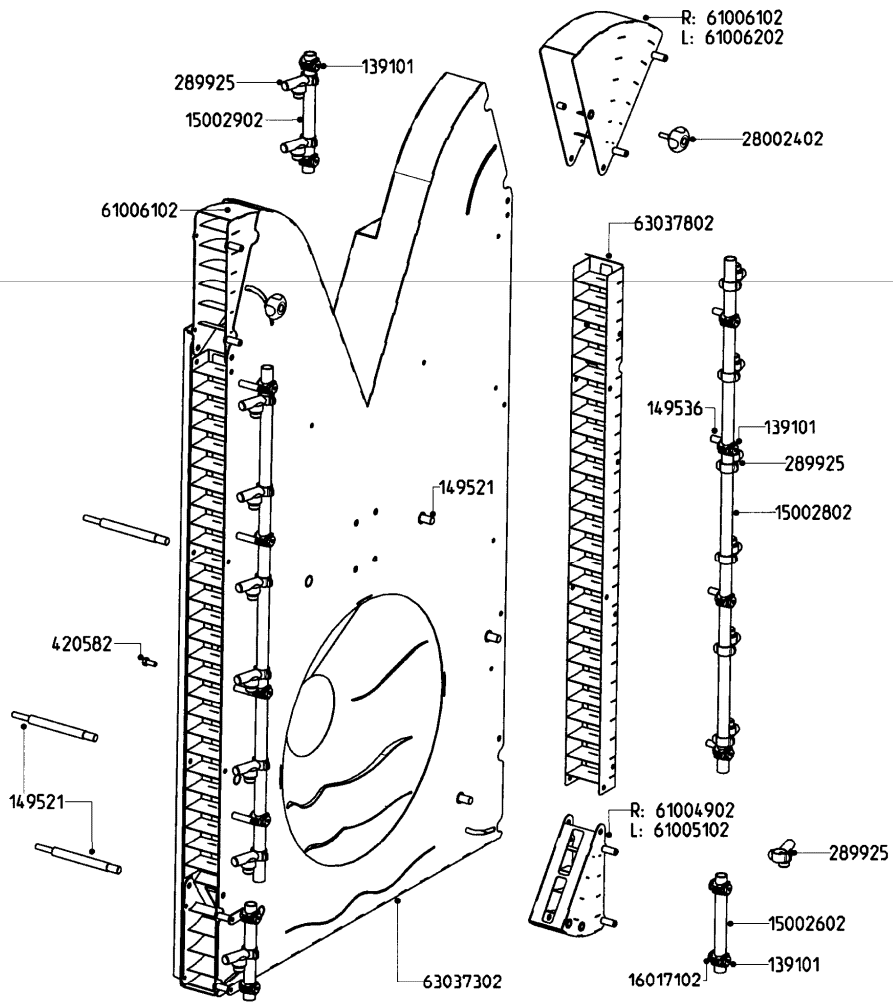
parts-n°	order qty	description
139101	1	NOZZLE CLAMP F. MERCURY
149532	1	EJE D.16x212 SUJEC.DEFLEC.820
149536	1	REDONDO D.12x45 SOP.VIÑA PLUS
149537	1	VARILLA ROSCADA M8x130
15003202	1	TUBO D.22x1099 ARCO DEFLE.PLUS
15003202	1	TUBO D.22x1099 ARCO DEFLE.PLUS
15003302	1	TUBO D.22x345 ARCO SUPER.AB820
16017102	1	CHAPA 55x20x3 ARCO PINTADA
28002402	1	POMO BAQUEL.M8x25
289925	1	JET 3/8"SIMPLE M272 ANTIG.BR.
460364	1	NUT HEX M8 GALV.
61005202	1	ALERON DCH.SUPER.AB820-PLUS
61005302	1	ALERON IZD.SUPER.AB820-PLUS
61005402	1	ALERON INFER.DCH.AB820-PLUS
61005502	1	ALERON INFER.IZD.AB820-PLUS
63036402	1	CANALIZADOR AIRE AB850-PLUS
63036502	1	BASE DEFLECTOR AB820-PLUS



CTO BASE DEFLECTOR AG750 PLUS  
4\_455, 18:05:12

Page 0

Date 07.05.2015 13:15





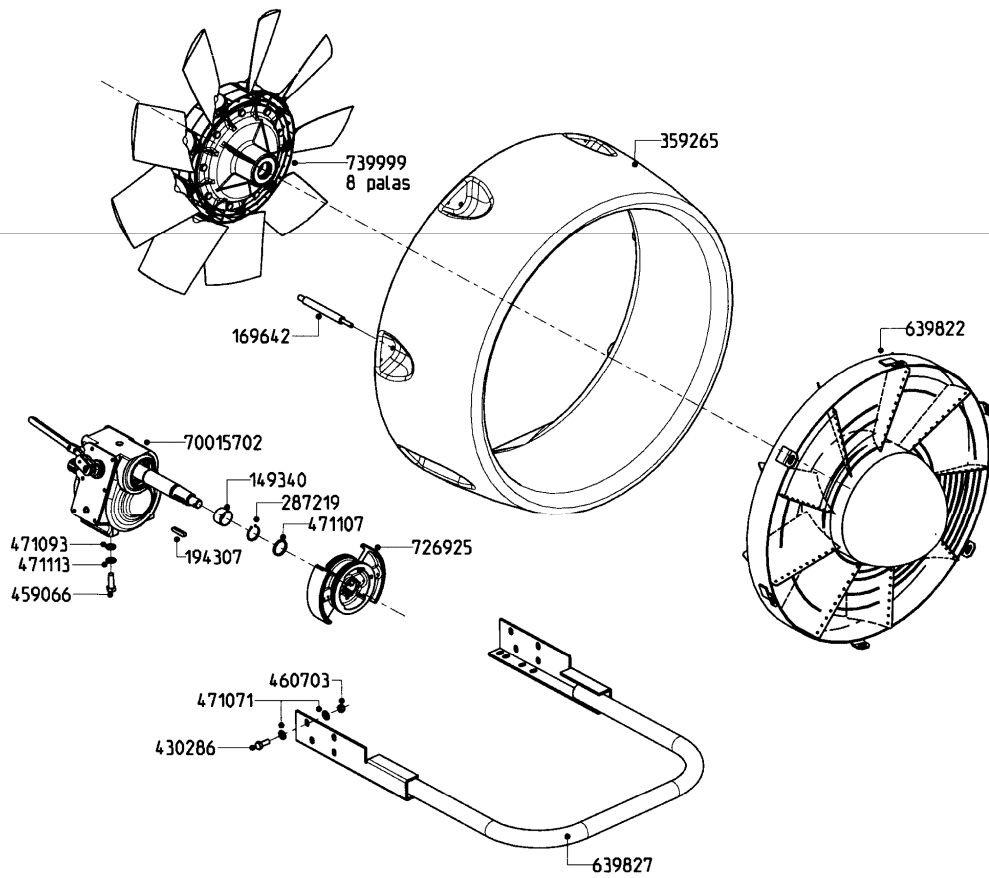
CTO BASE DEFLECTOR AG750 PLUS  
4\_455, 18:05:12

Page 1

Date 07.05.2015 13:15

parts-n°	order qty	description
139101	1	NOZZLE CLAMP F. MERCURY
149521	1	EJE D.16x190 SUJEC.DEFLEC.750
149536	1	REDONDO D.12x45 SOP.VIÑA PLUS
15002602	1	TUBO D.22x200 ARCO INFERIOR
15002802	1	TUBO D.22x1080 ARCO DEFLE.PLUS
15002902	1	TUBO D.22x245 ARCO SUPER.AB750
16017102	1	CHAPA 55x20x3 ARCO PINTADA
28002402	1	POMO BAQUEL.M8x25
289925	1	JET 3/8"SIMPLE M272 ANTIG.BR.
420582	1	BOLT HEX 8.8 DEL M8X20 FT A2
61004902	1	ALERON INFER.DCH.AB650-PLUS
61005102	1	ALERON INFER.IZD.AB750-PLUS
61006102	1	ALERON SUPER.DCH.AG750-PLUS
61006202	1	ALERON SUPER.IZD.AG750-PLUS
63037302	1	BASE DEFLECTOR AB750-PLUS
63037802	1	CANALIZADOR AIRE AB750-PLUS
63037802	1	CANALIZADOR AIRE AB750-PLUS







CTO AG820 DEFLECTOR 9\_P.18-22  
4\_454, 04:06:12

Page 1

Date 07.05.2015 13:15

parts-n°	order qty	description
149340	1	SPACER F920 F/BIMA SHAFT
169642	1	SEPARATION PIECE M14X213
194307	1	KEY 10 X 8 X 40
359265	1	FAN HOUSING POLY. 32" ZENIT
430286	1	BOLT HEX 8.8 DEL M12X30 FT
459066	1	BOLT HEX 12.9 M14X40 DIN-912
460703	1	NUT HEX M12X1.75 LOCK DIN985
471071	1	WASHER M12 GALV
471093	1	WASHER D14 GALV. (168873)
471107	1	WASHER D50,6D40,1X5
471113	1	WASHER D14 TENSION
639822	1	SAFETY GRILL W/9 AIR VANES 32"
639827	1	CTO.PARACHOQUE AG750/820 ZATURN
70015702	1	GEAR BOX AXIAL 18-22
726925	1	CENTRIFUGAL CLUTCH D. 245
739999	1	BLOWER WHEEL D.820



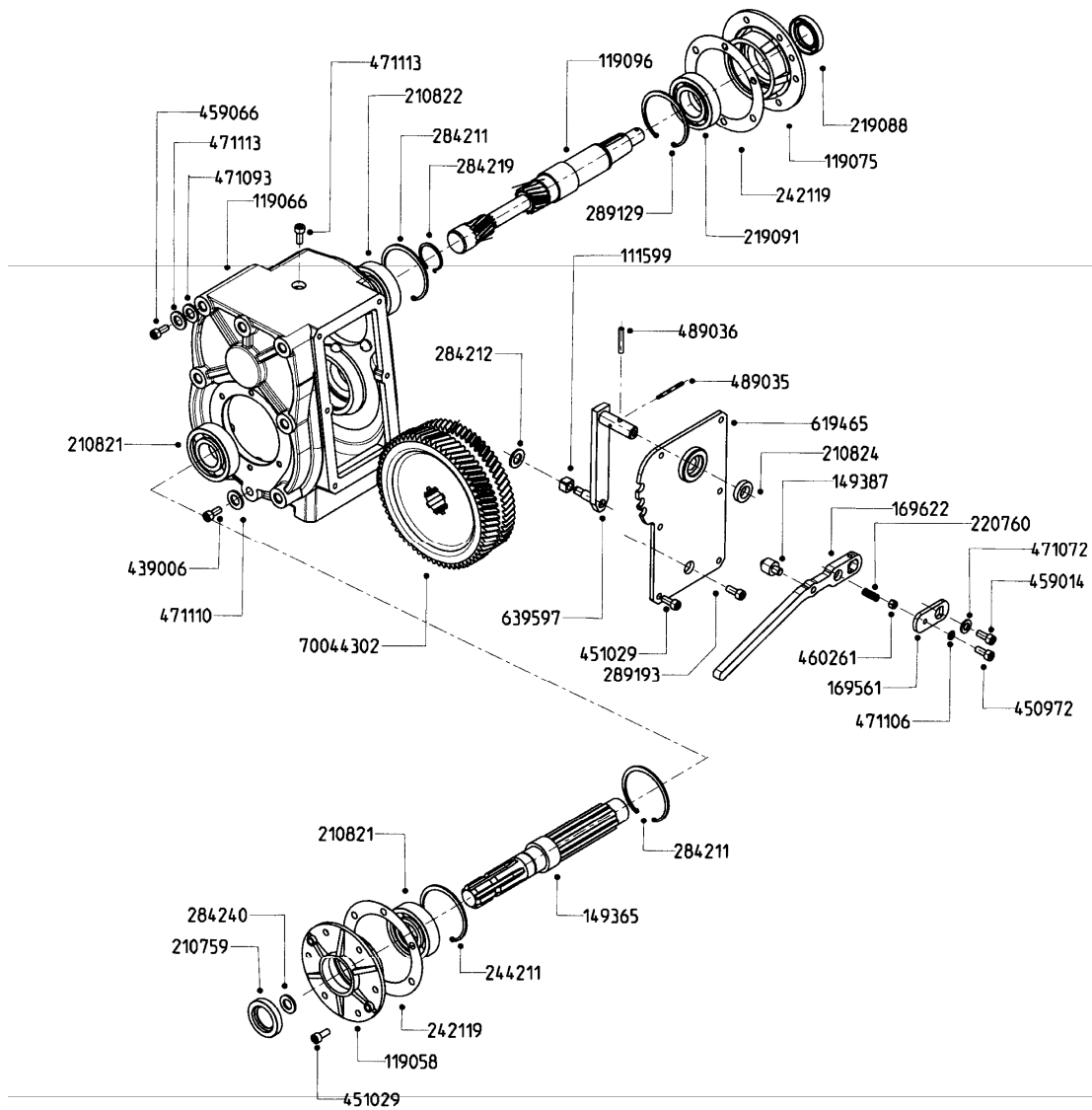
MULTIPL.TURBINA 7.8 FRANCIA  
4\_452, 04:06:12

Page

0

Date

07.05.2015 13:15



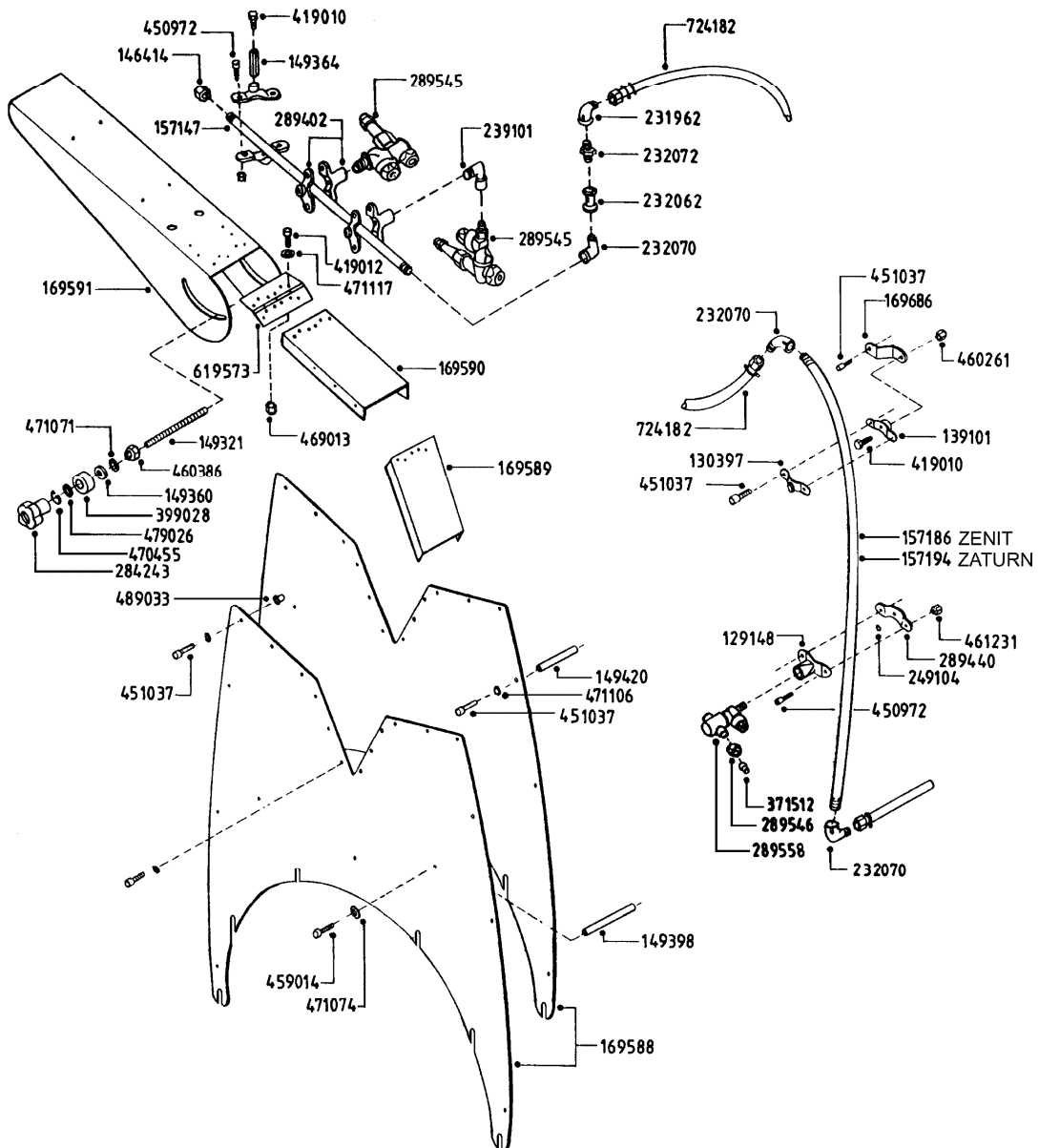


MULTIPL.TURBINA 7.8 FRANCIA  
4\_452, 04:06:12

Page 1

Date 07.05.2015 13:15

parts-n°	order qty	description
111599	1	HEAD FOR CHANGE OF GEAR
119058	1	COVER GEARBOX 2002 (6307-NJ307)
119066	1	GEARBOX CASE
119075	1	COVER FOR GEARBOX VR2002
119096	1	SHAFT F/GEARBOX
149365	1	SHAFT OUTPUT F.GEARBOX
149387	1	BUSHING F.HANDLE GEARBOX 2002
169561	1	STOP F.HANDLE SPRING GRBX 2002
169622	1	MANETA CAMBIO MULT.MECA. (Vi:16
210759	1	SEAL OIL 55X35X40
210821	1	BALL BEARING 6307
210822	1	BALL BEARING NJ 307
210824	1	SEAL OIL 18 X 7
219088	1	SEAL 40X60X8
219091	1	BALL BEARING BL208
220760	1	SPRING
242119	1	GASKET FOR COVER
284211	1	SNAP-RING INNER 80X2.5
284219	1	SNAP-RING OUTER 40X1.75
284240	1	SNAP-RING OUTER 35X1.5
289129	1	SNAP RING I-85
289193	1	OIL LEVEL GLASS
439006	1	PLUG F.OIL HOLE GEARBOX F.LE
450972	1	SCREW M6X15 ALLEN GALV.
451029	1	SCREW M8X20 HEX
459014	1	ALLEN SCREW M8 X 15 GALV.DIN93
459066	1	BOLT HEX 12.9 M14X40 DIN-912
460261	1	NUT HEX M6X1 LOCK A2 DIN985
471072	1	WASHER M10 EL2
471093	1	WASHER D14 GALV. (168873)
471106	1	WASHER D6
471110	1	WASHER D18D12X2 COPPER
471113	1	WASHER D14 TENSION
489035	1	SLOTTED PIN D.4X50
489036	1	ROLL PIN D6 X 40
619465	1	COVER ADJ.F.GEAR BOX 20-30
639597	1	ARM FOR GEAR CHANGE
70044302	1	CORONAS MULTIPLICADOR VIÑA 7,8
284212	1	SNAP-RING OUTER 10X1

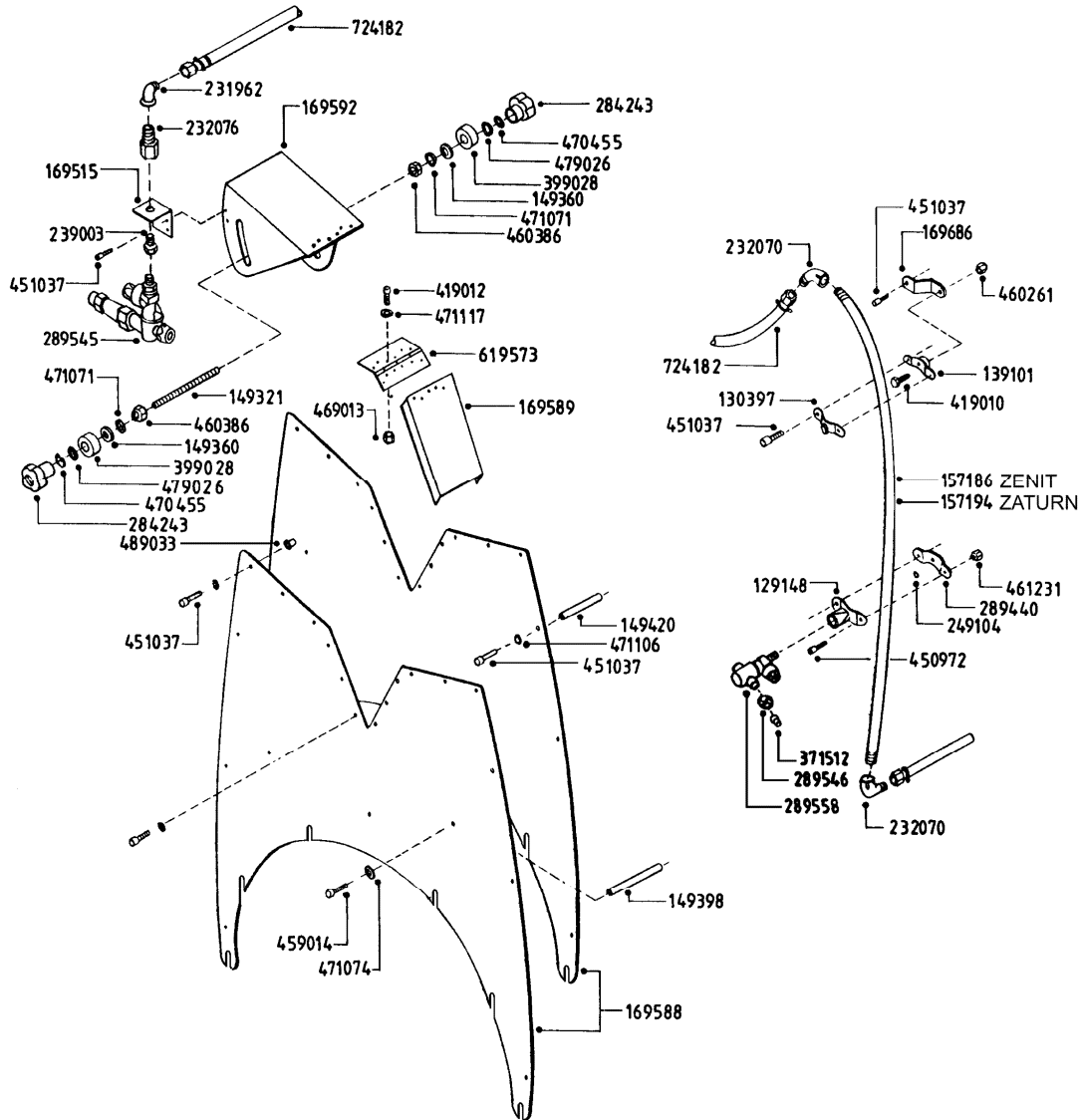




KIT DEFLECTOR DHV ZENIT/ZATURN  
4\_448, 10:05:12

Page 1  
Date 07.05.2015 13:15

parts-n°	order qty	description
129148	1	BRCKT F. NZZLEHOLDER BRASS MR
130397	1	NOZZLE HOLDER UPPER PART
139101	1	NOZZLE CLAMP F. MERCURY
146414	1	TERMINATION STOPPER 22 X 100
149321	1	ESPARRAGO M12X220
149360	1	BUSHING DIST.D40 X M12 X 6 MM
149364	1	BRASS PIECE HEX. M6X50MM
149398	1	SPACER BUSHING ZENIT
149420	1	SPACER BUSHING ZENIT
157147	1	SPRAY LINE DEFL.WING VD
157186	1	INOX TUBE 7 HOLES RIGHT ZENIT
157194	1	TUBO INOX 820 VIÑA 8 AGUJ.IZD.ZA
169588	1	MAIN BRACKET ZENIT 32" DEFL.
169589	1	LID "V1" VINE ZENIT
169590	1	LID "V2" VINE ZENIT
169591	1	WING F.VINE DEFL. ZENIT
169686	1	BRACKET F.SPR.LINE ZENIT
231962	1	ELBOW BRASS 1/2"
232062	1	BUSHING 1/2' BRASS
232070	1	ELBOW 1/2" BRASS M-22.100 H
232072	1	NIPPLE 1/2 SPEC. BRASS
239101	1	ELBOW 90DGR.1/4" F-M BRASS-CHR
249104	1	O-RING 7 X 4
284243	1	HANDLE KNOB ADJUSTER
289402	1	CLAMP 20 DGR. CLP. F.NOZZLE HO
289440	1	CLAMP F. 1/4" NOZZLE HOLDERS
289545	1	JET 1/4"DOB.ANTI.AJU.MAR(A5606-P
289546	1	NUT F.NOZZLE HOLDER ZENIT
289558	1	SING.NOZ.HOLDER NON-DR.ZE
371512	1	NOZZLE CONE JET 1299-16 RED
399028	1	NYLON BUSHING D40X12X9 MM
419010	1	M. 6 X 20 SCREW INOX. DIN 93
419012	1	TORN. 5 X 20 C/HEXAG.INOX
450972	1	SCREW M6X15 ALLEN GALV.
451037	1	SCREW M6X20 HEX
459014	1	ALLEN SCREW M8 X 15 GALV.DIN93
460261	1	NUT HEX M6X1 LOCK A2 DIN985
460386	1	NUT HEX M12X1.75
461231	1	NUT HEX M6 BRASS
469013	1	NUT HEX M12 LOCK INOX
470455	1	WASHER D12 SPRING
471071	1	WASHER M12 GALV
471074	1	WASHER M8 ELZ
471106	1	WASHER D6
471117	1	WASHER D5 TENSION
479026	1	WASHER D12X24X3 DIN 6916
489033	1	LOCKNUT M6 X 0.7
619673	1	SOPORTE HIDROLLENADOR MASTER
724182	1	HOSE FEED 10X950





KIT DEFLECTOR DHT ZENIT/ZATURN  
4\_447, 10:05:12

Page

1

Date

07.05.2015 13:15

parts-n°	order qty	description
129148	1	BRCKT F. NZZLEHOLDER BRASS MR
130397	1	NOZZLE HOLDER UPPER PART
139101	1	NOZZLE CLAMP F. MERCURY
149321	1	ESPARRAGO M12X220
149360	1	BUSHING DIST.D40 X M12 X 6 MM
149398	1	SPACER BUSHING ZENIT
149420	1	SPACER BUSHING ZENIT
157186	1	INOX TUBE 7 HOLES RIGHT ZENIT
157194	1	TUBO INOX 820 VIÑA 8 AGUJ.IZD.ZA
169515	1	PLATE NOZZLE BRACKET OL-WING
169588	1	MAIN BRACKET ZENIT 32" DEFL.
169589	1	LID "V1" VINE ZENIT
169592	1	WING DEFL. TREE ZENIT
169686	1	BRACKET F.SPR.LINE ZENIT
231962	1	ELBOW BRASS 1/2"
232070	1	ELBOW 1/2" BRASS M-22.100 H
232076	1	NIPPLE 1/2"M-W ESP.CIRC.BRA
239003	1	EXTENSION 1/2"
249104	1	O-RING 7 X 4
284243	1	HANDLE KNOB ADJUSTER
289440	1	CLAMP F. 1/4" NOZZLE HOLDERS
289545	1	JET 1/4"DOB.ANTI.AJU.MAR(A5606-P
289546	1	NUT F.NOZZLE HOLDER ZENIT
289558	1	SING.NOZ.HOLDER NON-DR.ZE
371512	1	NOZZLE CONE JET 1299-16 RED
399028	1	NYLON BUSHING D40X12X9 MM
419010	1	M. 6 X 20 SCREW INOX. DIN 93
419012	1	TORN. 5 X 20 C/HEXAG.INOX
450972	1	SCREW M6X15 ALLEN GALV.
451037	1	SCREW M6X20 HEX
459014	1	ALLEN SCREW M8 X 15 GALV.DIN93
460261	1	NUT HEX M6X1 LOCK A2 DIN985
460386	1	NUT HEX M12X1.75
461231	1	NUT HEX M6 BRASS
469013	1	NUT HEX M12 LOCK INOX
470455	1	WASHER D12 SPRING
471071	1	WASHER M12 GALV
471074	1	WASHER M8 ELZ
471106	1	WASHER D6
471117	1	WASHER D5 TENSION
479026	1	WASHER D12X24X3 DIN 6916
489033	1	LOCKNUT M6 X 0.7
619573	1	HINGE HD 115 X 120 STEEL DUO
724182	1	HOSE FEED 10X950

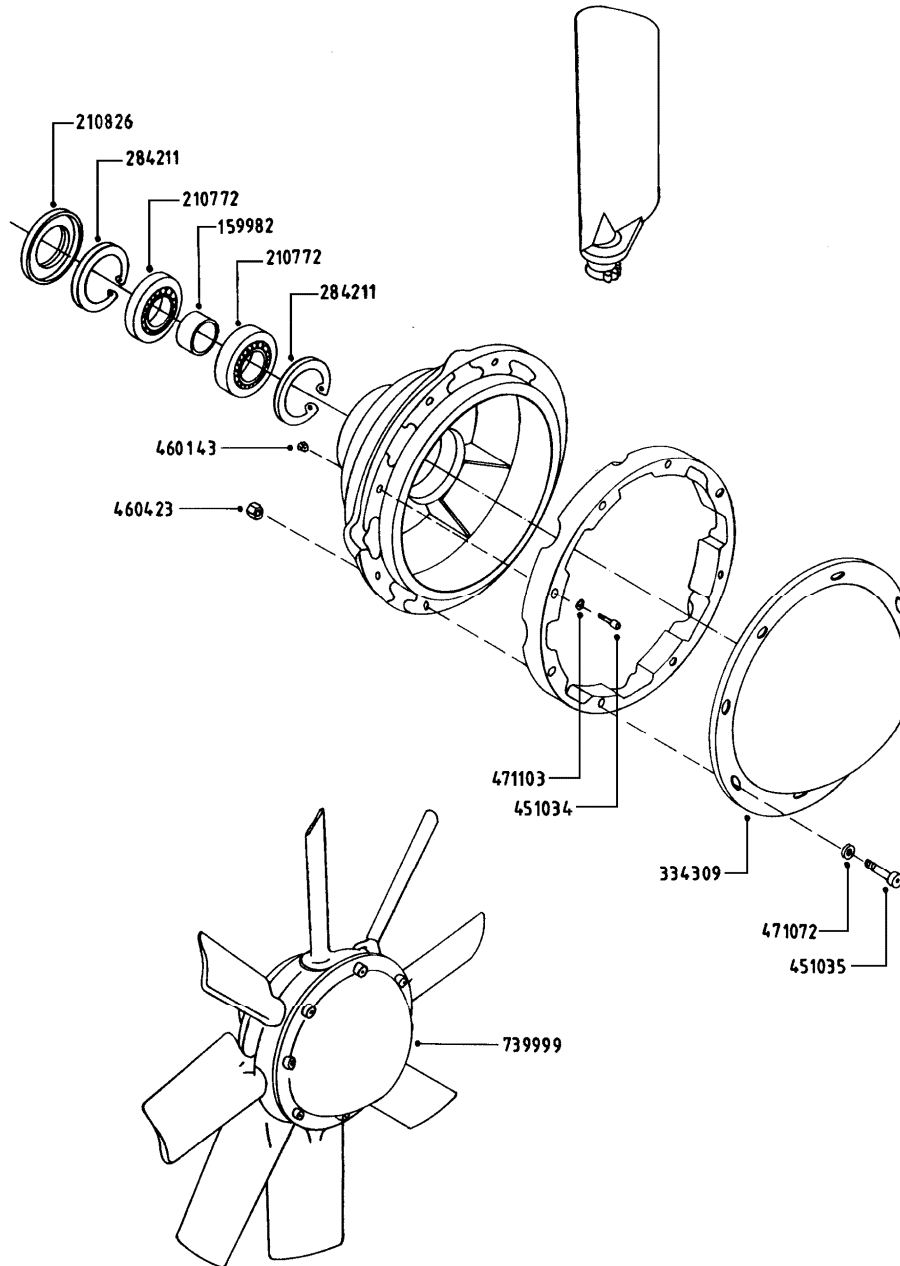




CTO ELICE D820 SINTETICA  
4\_436, 01:06:12

Page 0

Date 07.05.2015 13:15





CTO ELICE D820 SINTETICA  
4\_436, 01:06:12

Page 1

Date 07.05.2015 13:15

parts-n°	order qty	description
159982	1	DISTANCE TUBE FOR 820
210772	1	BALL BEARING 6208 2RS1
210826	1	SEAL OIL 45 X 10
284211	1	SNAP-RING INNER 80X2.5
334309	1	SHIELD
451034	1	SCREW M8X50 HEX
451035	1	SCREW M10X70 HEX
460143	1	NUT HEX M8 LOCK A2 DIN985
460423	1	NUT HEX M10X1.5 LOCK
471072	1	WASHER M10 EL2
471103	1	WASHER D8 BRASS
739999	1	BLOWER WHEEL D.820



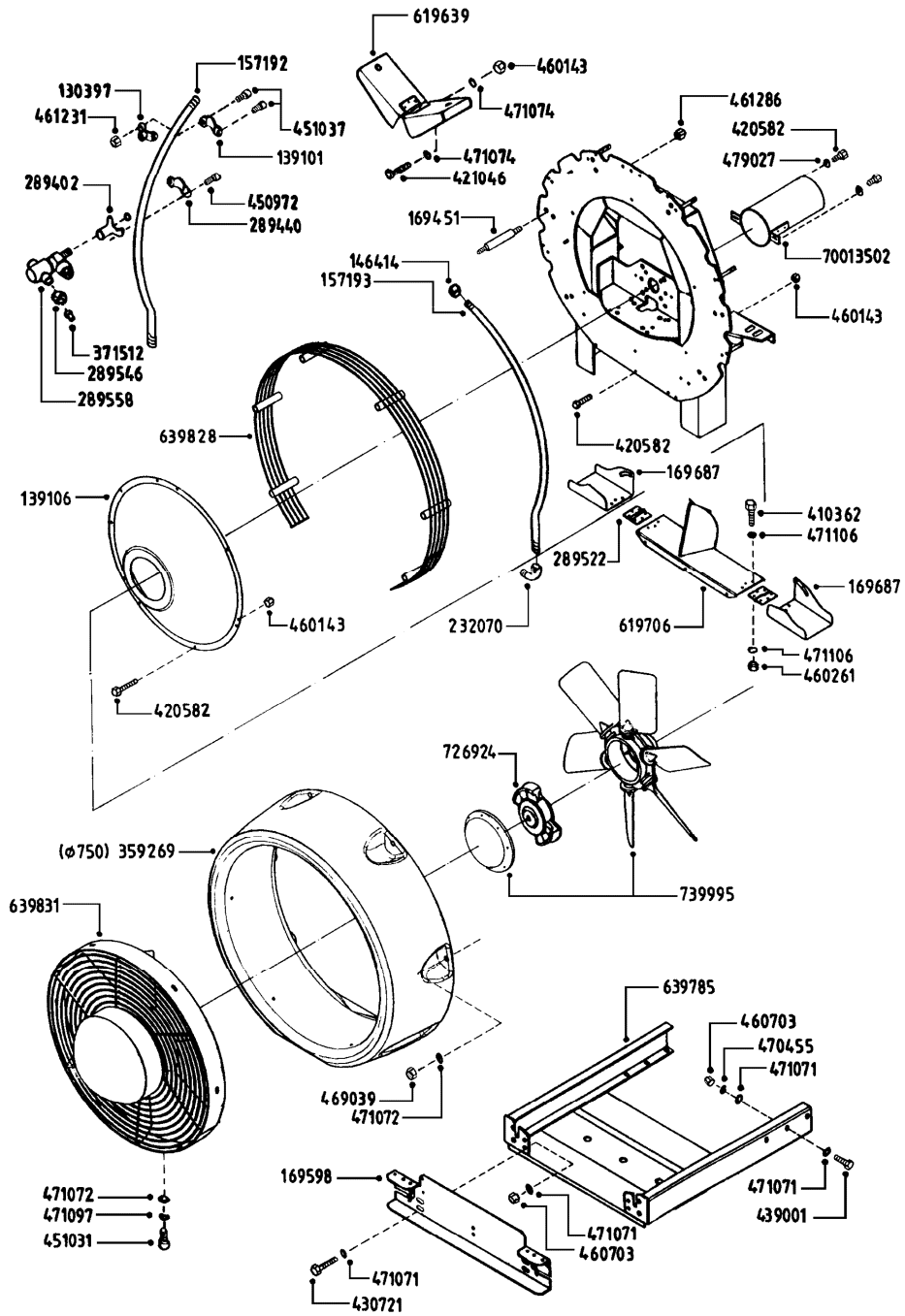
KIT AIRE AXIAL AG750 ZATURN CT  
4\_433, 10:05:12

Page

0

Date

07.05.2015 13:15





KIT AIRE AXIAL AG750 ZATURN CT  
4\_433, 10:05:12

Page 1  
Date 07.05.2015 13:15

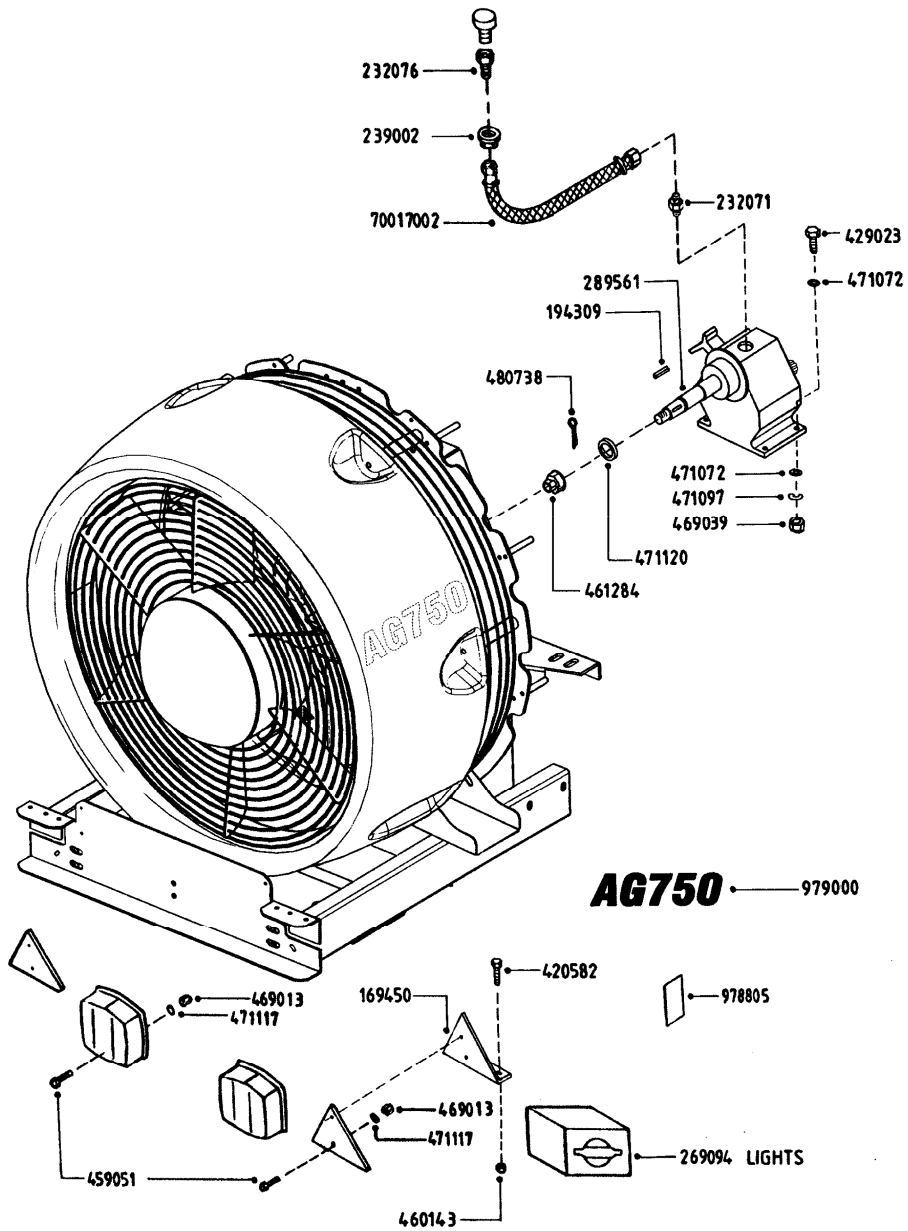
parts-n°	order qty	description
130397	1	NOZZLE HOLDER UPPER PART
139101	1	NOZZLE CLAMP F. MERCURY
139106	1	BUSHING TURBINE P540
149414	1	VARILLA TRAS.DEF.PRINC.CAÑON -24
157192	1	BLOWER SPRAY LINE LEFT ZA-750/
157193	1	TUBO INOX 720/820 7 AGUG.DRH.ZAT
169451	1	SHAFT M14 DIST.FAN HOUSING ZE
169598	1	BRACKET PART FOR LIGHT
169687	1	ALERON INF.AG750 ZATURN PLEGADA
232070	1	ELBOW 1/2" BRASS M-22.100 H
289402	1	CLAMP 20 DGR. CLP. F.NOZZLE HO
289440	1	CLAMP F. 1/4" NOZZLE HOLDERS
289522	1	BISAGRA 80x80REF.553ZINCADA(9902
289546	1	NUT F.NOZZLE HOLDER ZENIT
289858	1	FONT-CASQUILLO D.04 R7
359269	1	TOBERA POLYETILENO 750 ZE/ZA
371512	1	NOZZLE CONE JET 1299-16 RED
410362	1	BOLT HEX 8.8 SS M6X20 FT
420582	1	BOLT HEX 8.8 DEL M8X20 FT A2
421046	1	BOLT HEX 8.8 DEL M8X25 FT A2 DIN933
430721	1	BOLT HEX 8.8 DEL M12X40 FT
439001	1	M. 12 X 35 MACH. SCREW 8.8
450972	1	SCREW M6X15 ALLEN GALV.
451031	1	SCREW M10X25 HEX
451037	1	SCREW M6X20 HEX
460143	1	NUT HEX M8 LOCK A2 DIN985
460261	1	NUT HEX M6X1 LOCK A2 DIN985
460703	1	NUT HEX M12X1.75 LOCK DIN985
461231	1	NUT HEX M6 BRASS
461286	1	NUT M14 SAFETY
469039	1	LOCK-NUT M-10 DIN 985
470455	1	WASHER D12 SPRING
471071	1	WASHER M12 GALV
471072	1	WASHER M10 EL2
471074	1	WASHER M8 ELZ
471097	1	WASHER D10 SAFETY
471106	1	WASHER D6
479027	1	WASHER D8X24X2 DIN9021
619639	1	WING FOR V-DEFL.130 MM ZENIT
619706	1	SOP.ALERONES INFERIOR AG750 ZATU
639828	1	REJA SALIDA AXIAL AG750 ZATURN
639831	1	REJA ENTRA.6 PALAS AG750 POL.ZE/
70013502	1	PTO PROTECTION
726924	1	CENTRIFUGAL CLUTCH D. 150
739995	1	FAN WHEEL D750



KIT AIRE AXIAL AG750 ZATURN  
4\_432, 10:05:12

Page 0

Date 07.05.2015 13:15



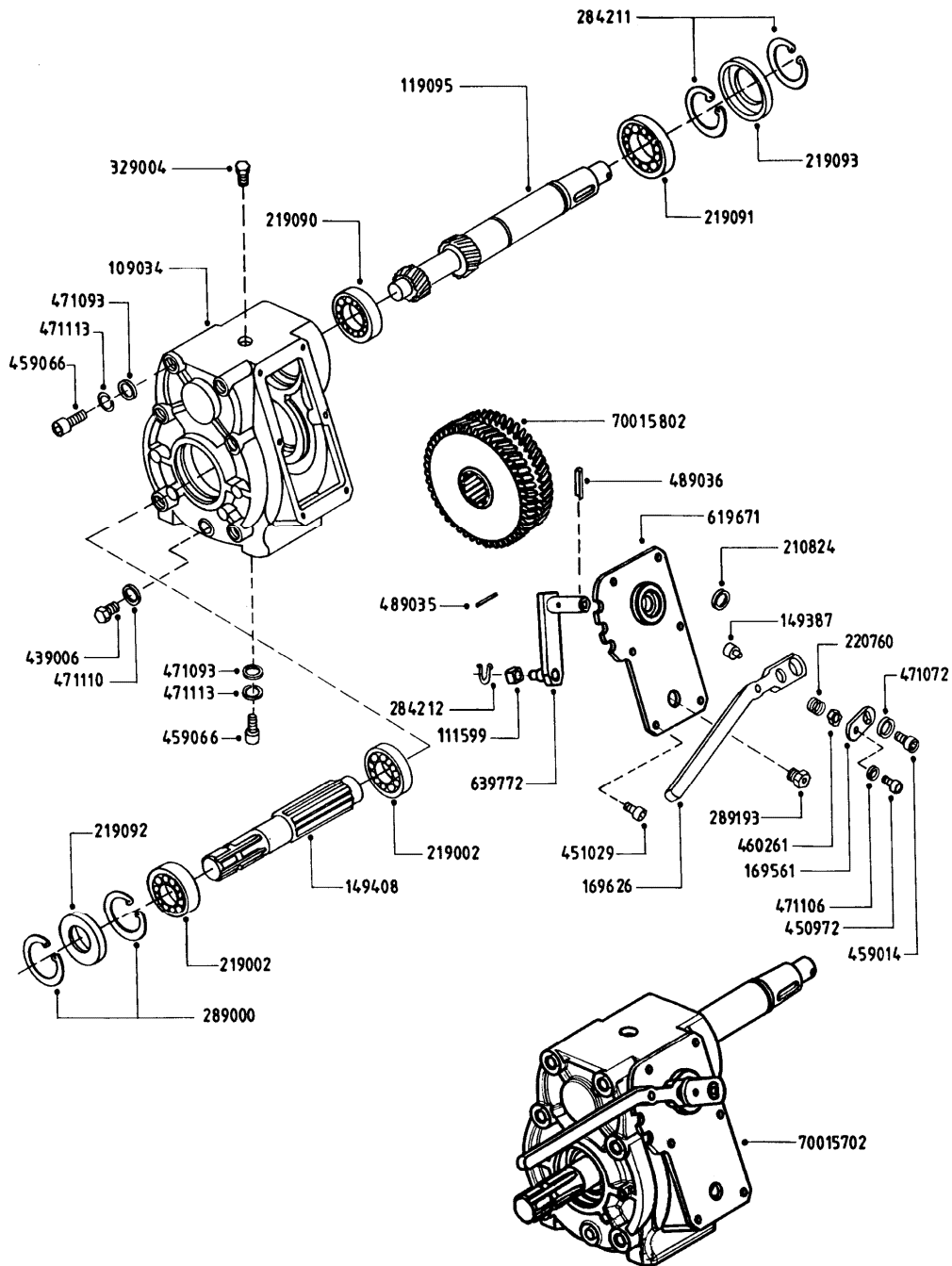


KIT AIRE AXIAL AG750 ZATURN  
4\_432, 10:05:12

Page 1

Date 07.05.2015 13:15

parts-n°	order qty	description
169450	1	CHAPA SOPORTE TRIANGULO
194309	1	KEY 8 X 7 X 40
232071	1	HEXAGON NIPPLE 1/2' .....
232076	1	NIPPLE 1/2"M-W ESP.CIRC.BRA
239002	1	NUT 1/2" BSP BRASS F.BULKHEAD
269094	1	ROAD LIGHTS
289561	1	GEARBOXCOMER
420582	1	BOLT HEX 8.8 DEL M8X20 FT A2
429023	1	BOLT HEX 12.9 M10X40 DIN-933
459051	1	BOLT 5*25
461284	1	NUT HEX M24X2 SLOTTED
469013	1	NUT HEX M12 LOCK INOX
469039	1	LOCK-NUT M-10 DIN 985
471072	1	WASHER M10 EL2
471097	1	WASHER D10 SAFETY
471117	1	WASHER D5 TENSION
471120	1	WASHER D50,9D35X5
480738	1	PIN D5X40 SPLIT
70017002	1	HOSE F.REMOTE GREASE PORT
978805	1	ADH. LOW VOLUME NOZZLES





MULTIPLICADOR AXIAL 18-20  
4\_427, 10:05:12

Page 1

Date 07.05.2015 13:15

parts-n°	order qty	description
109034	1	CUERPO MULTIPLIC. 18-22 MECANIZA
111599	1	HEAD FOR CHANGE OF GEAR
119095	1	AXLE FOR GEAR BOX D.40
149387	1	BUSHING F.HANDLE GEARBOX 2002
149408	1	INPUT SHAFT F/GEARBOX 18
169561	1	STOP F.HANDLE SPRING GRBX 2002
169626	1	MANETA CAMBIO MULTIP.18-22 MECAN
210824	1	SEAL OIL 18 X 7
219002	1	BEARING 6207
219090	1	RODAMIENTO BL305
219091	1	BALL BEARING BL208
219092	1	SEAL 72X 35X10 DOUBLE
219093	1	SEAL 80X 40X12 DOUBLE
220760	1	SPRING
284211	1	SNAP-RING INNER 80X2.5
284212	1	SNAP-RING OUTER 10X1
289000	1	SNAP-RING INNER
289193	1	OIL LEVEL GLASS
329004	1	PLUG F.OIL HOLE GEARBOX F.SPV
439006	1	PLUG F.OIL HOLE GEARBOX F.LE
450972	1	SCREW M6X15 ALLEN GALV.
451029	1	SCREW M8X20 HEX
459014	1	ALLEN SCREW M8 X 15 GALV.DIN93
459066	1	BOLT HEX 12.9 M14X40 DIN-912
460261	1	NUT HEX M6X1 LOCK A2 DIN985
471072	1	WASHER M10 EL2
471093	1	WASHER D14 GALV. (168873)
471093	1	WASHER D14 GALV. (168873)
471106	1	WASHER D6
471110	1	WASHER D18D12X2 COPPER
471113	1	WASHER D14 TENSION
489035	1	SLOTEO PIN D.4X50
489036	1	ROLL PIN D6 X 40
619671	1	TAPA CAMBIO MARCHAS MULTIP.18-22
639772	1	CTO.LEVA MULTIPLICADOR 18-22
70015702	1	GEAR BOX AXIAL 18-22
70015802	1	SPOCKET WH Z46-Z48 GEARB 18-20





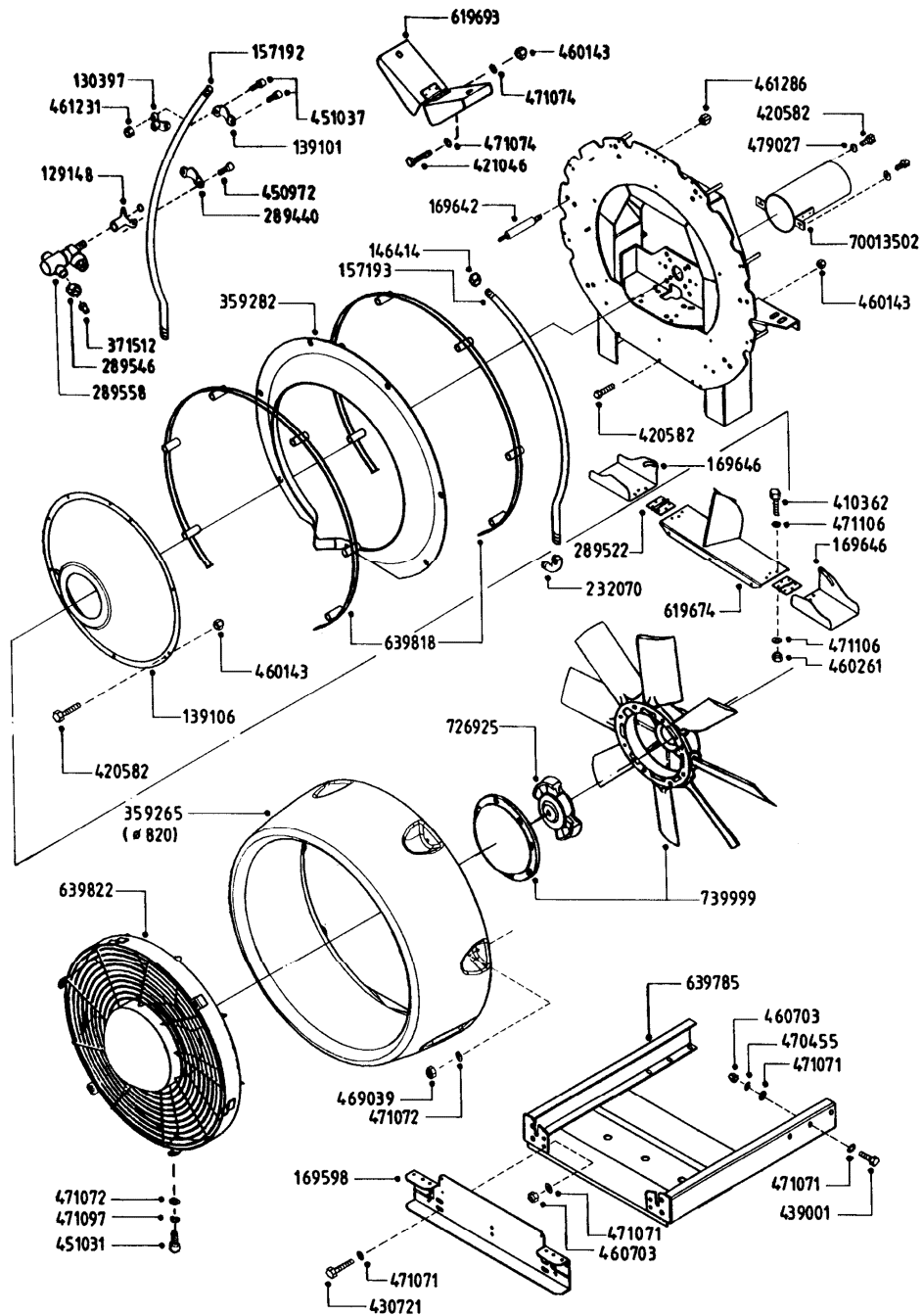
KIT AIRE AXIAL AG820 ZATURN CT  
4\_426, 10:05:12

Page

0

Date

07.05.2015 13:15





KIT AIRE AXIAL AG820 ZATURN CT  
4\_426, 10:05:12

Page 1  
Date 07.05.2015 13:15

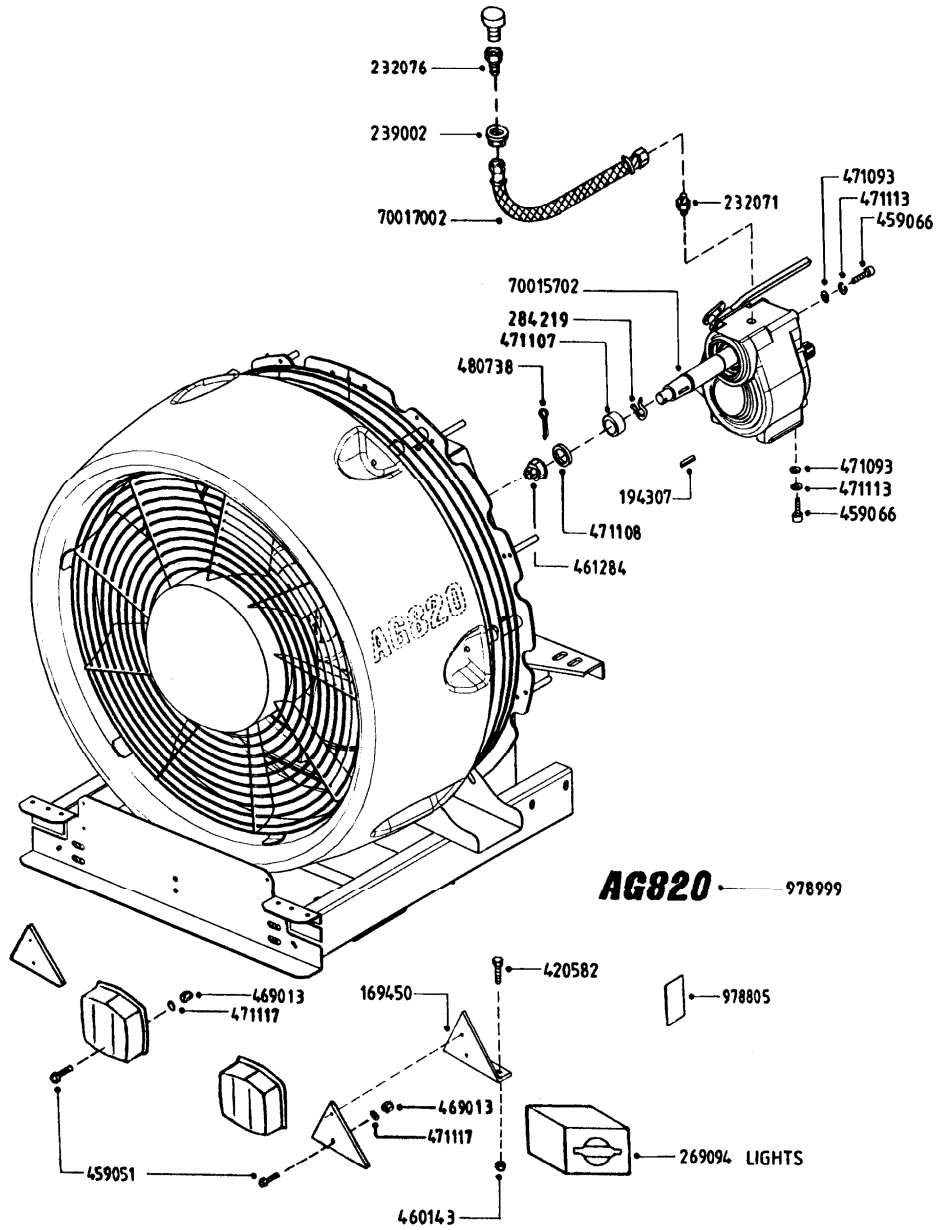
parts-n°	order qty	description
129148	1	BRCKT F. NZZLEHOLDER BRASS MR
130397	1	NOZZLE HOLDER UPPER PART
139101	1	NOZZLE CLAMP F. MERCURY
149414	1	VARILLA TRAS.DEF.PRINC.CAÑON -24
157192	1	BLOWER SPRAY LINE LEFT ZA-750/
169598	1	BRACKET PART FOR LIGHT
169642	1	SEPARATION PIECE M14X213
169646	1	CHAPA PLEGADA ALERON INFERIOR ZA
232070	1	ELBOW 1/2" BRASS M-22.100 H
289440	1	CLAMP F. 1/4" NOZZLE HOLDERS
289522	1	BISAGRA 80x80REF.553ZINCADA(9902
289546	1	NUT F.NOZZLE HOLDER ZENIT
289558	1	SING.NOZ.HOLDER NON-DR.ZE
359265	1	FAN HOUSING POLY. 32" ZENIT
359282	1	CANAL POLIESTER AG820 ZATURN
371512	1	NOZZLE CONE JET 1299-16 RED
410362	1	BOLT HEX 8.8 SS M6X20 FT
420582	1	BOLT HEX 8.8 DEL M8X20 FT A2
421046	1	BOLT HEX 8.8 DEL M8X25 FT A2 DIN933
430721	1	BOLT HEX 8.8 DEL M12X40 FT
439001	1	M. 12 X 35 MACH. SCREW 8.8
450972	1	SCREW M6X15 ALLEN GALV.
451031	1	SCREW M10X25 HEX
460143	1	NUT HEX M8 LOCK A2 DIN985
460261	1	NUT HEX M6X1 LOCK A2 DIN985
460703	1	NUT HEX M12X1.75 LOCK DIN985
461231	1	NUT HEX M6 BRASS
461286	1	NUT M14 SAFETY
469039	1	LOCK-NUT M-10 DIN 985
470455	1	WASHER D12 SPRING
471071	1	WASHER M12 GALV
471072	1	WASHER M10 EL2
471074	1	WASHER M8 ELZ
471097	1	WASHER D10 SAFETY
471106	1	WASHER D6
479027	1	WASHER D8X24X2 DIN9021
619674	1	SOP.ALERONES INFERIOR AG820 ZATU
619693	1	V-DEFLECTOR ZATURN 155 MM
639785	1	PARACHOQUES ZATURN 1500/2000
639818	1	REJA SALIDA AG820 AXIAL 69 ZATUR
639822	1	SAFETY GRILL W/9 AIR VANES 32"
70013502	1	PTO PROTECTION
726925	1	CENTRIFUGAL CLUTCH D. 245
739999	1	BLOWER WHEEL D.820



KIT AIRE AXIAL AG820 ZATURN  
4\_425, 10:05:12

Page 0

Date 07.05.2015 13:15





KIT AIRE AXIAL AG820 ZATURN  
4\_425, 10:05:12

Page 1

Date 07.05.2015 13:15

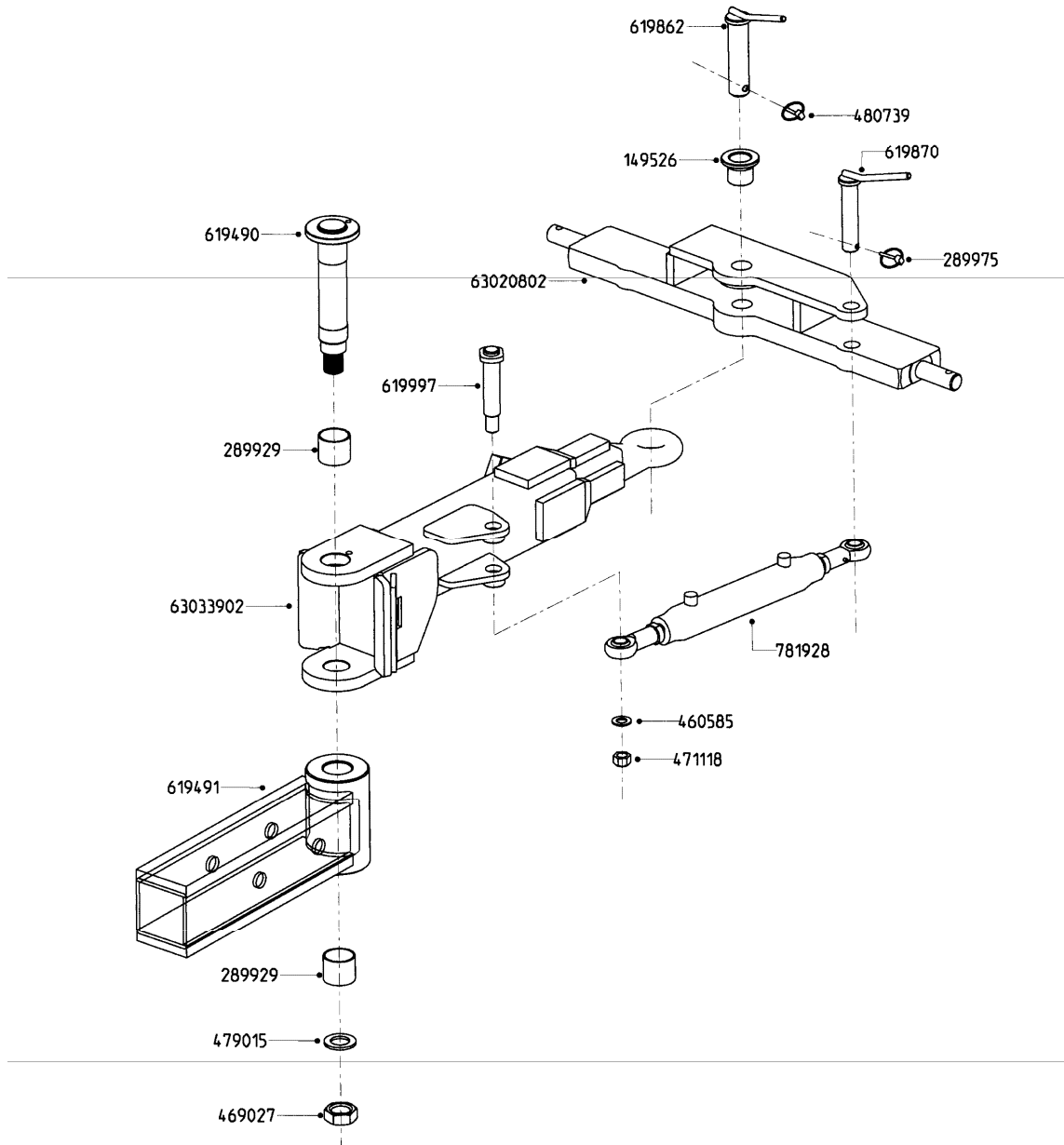
parts-n°	order qty	description
169450	1	CHAPA SOPORTE TRIANGULO
194307	1	KEY 10 X 8 X 40
232071	1	HEXAGON NIPPLE 1/2' .....
232076	1	NIPPLE 1/2"M-W ESP.CIRC.BRA
239002	1	NUT 1/2" BSP BRASS F.BULKHEAD
269094	1	ROAD LIGHTS
284219	1	SNAP-RING OUTER 40X1.75
420582	1	BOLT HEX 8.8 DEL M8X20 FT A2
459051	1	BOLT 5*25
459066	1	BOLT HEX 12.9 M14X40 DIN-912
460143	1	NUT HEX M8 LOCK A2 DIN985
461284	1	NUT HEX M24X2 SLOTTED
469013	1	NUT HEX M12 LOCK INOX
471093	1	WASHER D14 GALV. (168873)
471107	1	WASHER D50,6D40,1X5
471108	1	WASHER D44D25X4.5
471113	1	WASHER D14 TENSION
471117	1	WASHER D5 TENSION
480738	1	PIN D5X40 SPLIT
70015702	1	GEAR BOX AXIAL 18-22
70017002	1	HOSE F.REMOTE GREASE PORT
978805	1	ADH. LOW VOLUME NOZZLES
978999	1	CALCOMANIA TOBERA AG820 ZE/ZA



TIRO ROTULA ALEMANIA  
7\_008, 21:05:12

Page 0

Date 07.05.2015 13:15





TIRO ROTULA ALEMANIA  
7\_008, 21:05:12

Page 1

Date 07.05.2015 13:15

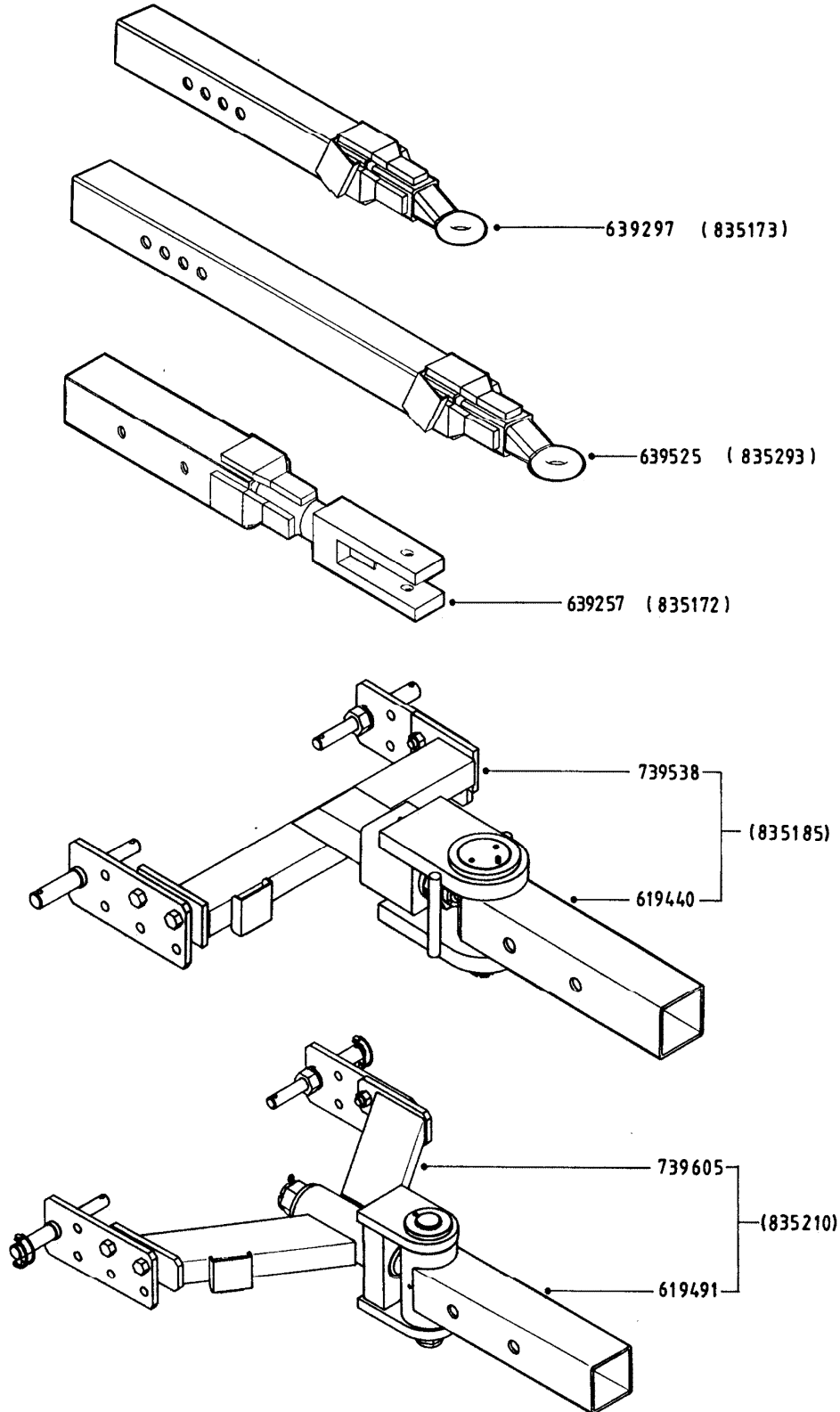
parts-n°	order qty	description
149526	1	CASQUILLO D.60x39,5 a 41,5 ATO
289929	1	CASQUILLO UA 45-40 FRICCIÓN
289975	1	PASADOR D.6 ANILLA M/CAÑA
460585	1	NUT HEX M16X2 LOCK
469027	1	NUT M30-350 C/F
471118	1	WASHER D16 TENSION
479015	1	DISC Ø 32
480739	1	PIN SNAP D8 F.ROUND
619490	1	BOLT
619491	1	EXTENSIBLE CONDOR 2000 VR99
619862	1	BULÓN D.32 ROTULA NAVIGATOR
619870	1	BULÓN D.25 ROTULA SOLDIER
619997	1	PERNIO D.25xM20x144 FIJ.SOLDIE
63020802	1	BARRA PARA ANILLA NAV/SOL
63033902	1	TIRO-ENGANCHE ANILLA ALEMANIA
781928	1	PISTON D.60/30 REC.130 HIDR.



Drawbars AR / MR  
7\_001, 17:10:11

Page 0

Date 07.05.2015 13:15





Drawbars AR / MR  
7\_001, 17:10:11

Page 1

Date 07.05.2015 13:15

parts-n°	order qty	description
619440	1	HEADTUBE FOR TURN.DRAWBAR
619491	1	EXTENSIBLE CONDOR 2000 VR99
639257	1	DRAWBAR F.TANGO/BRAVO/CONDOR
639297	1	DRAWB.FOR TRAILER 2000 CONDO
639525	1	DRAWBAR LONG W/RING HITCH
739538	1	TIRO ROTULA VR98
739605	1	V ROTULA VR99
835172	1	DRAWBAR STD. F.TG BV CR
835173	1	DRAWBAR RING HITCH ARROW
835185	1	DRAWBAR TURNABLE F.TG BV CR
835210	1	TURNABLE DRAWBAR STANDARD "V"
835293	1	DRAWBAR RING HITCH

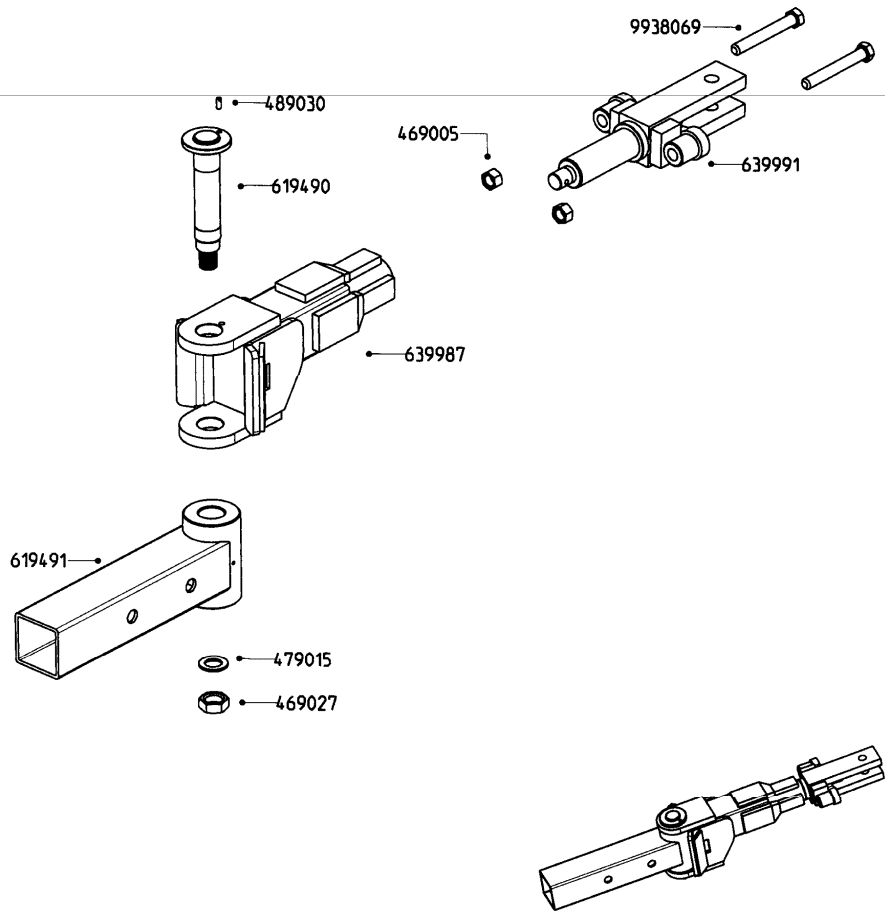




ROTULA VALENCIA  
7\_004, 04:06:12

Page 0

Date 07.05.2015 13:15





ROTULA VALENCIA  
7\_004, 04:06:12

Page 1

Date 07.05.2015 13:15

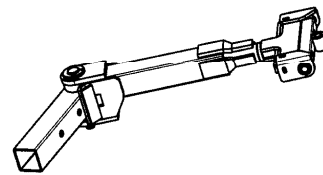
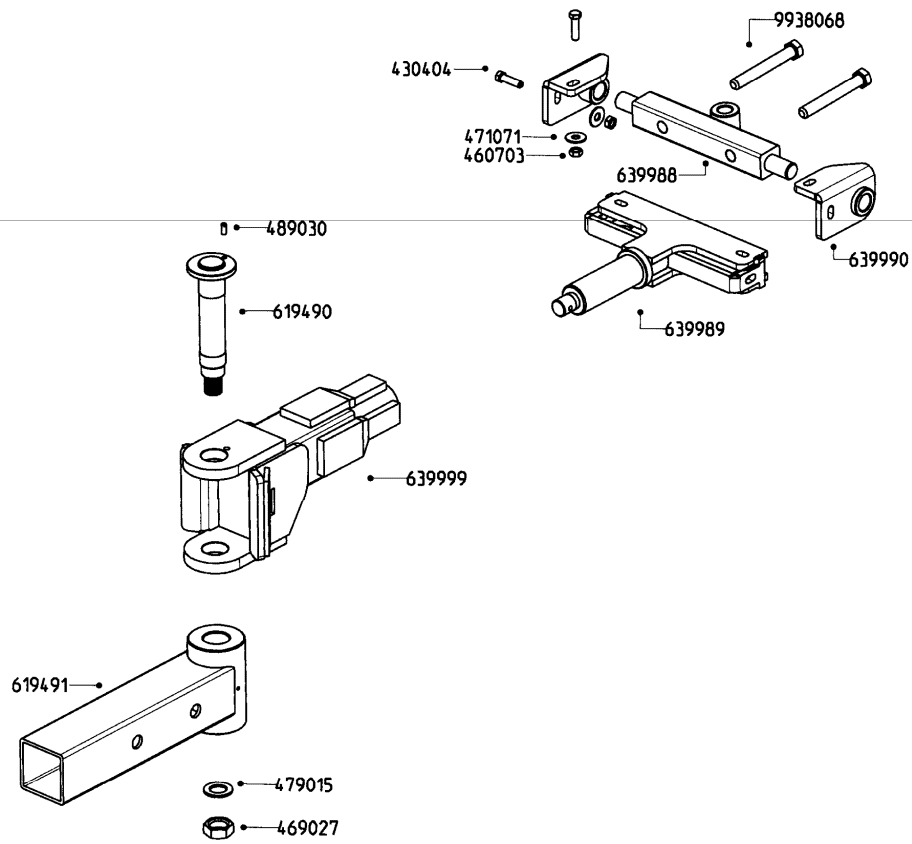
parts-n°	order qty	description
469005	1	SELF LOCK NUT M24
469027	1	NUT M30-350 C/F
479015	1	DISC Ø 32
489030	1	PASADOR ELASTICO D.8 x 20
619490	1	BOLT
619791	1	EXTREMO FIJACION BARRA E20
639987	1	PUNTA ARTIC. BOCA PEZ VALENCIA
639991	1	PUNTA TIRO BOCA PEZ VALENCIA



ROTULA PORTUGAL  
7\_005, 14:05:12

Page 0

Date 07.05.2015 13:15



1:20



ROTULA PORTUGAL  
7\_005, 14:05:12

Page 1

Date 07.05.2015 13:15

parts-n°	order qty	description
430404	1	BOLT HEX 8.8 DEL M12X50
460703	1	NUT HEX M12X1.75 LOCK DIN985
469027	1	NUT M30-350 C/F
471071	1	WASHER M12 GALV
479015	1	DISC Ø 32
489030	1	PASADOR ELASTICO D.8 x 20
619490	1	BOLT
619491	1	EXTENSIBLE CONDOR 2000 VR99
639988	1	PALANQUILLA 50 ROTULA
639989	1	GIRO ROTULA PORTUGAL
639990	1	GIRO DCH.CASQUILLO PALANCA
639999	1	PUNTA ARTIC.BOCA PEZ PORTUGAL
9938068	1	M. 24 X 100 MACH. SCREW 8.8