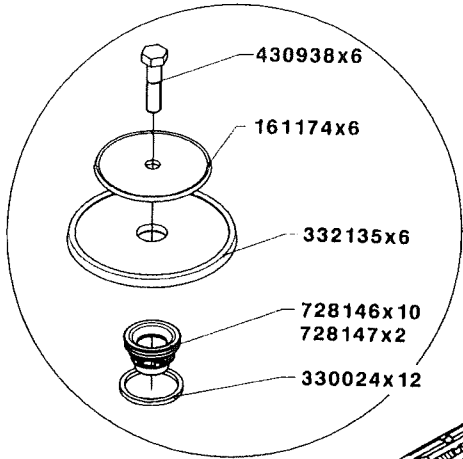
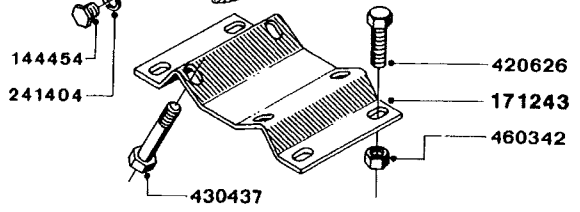
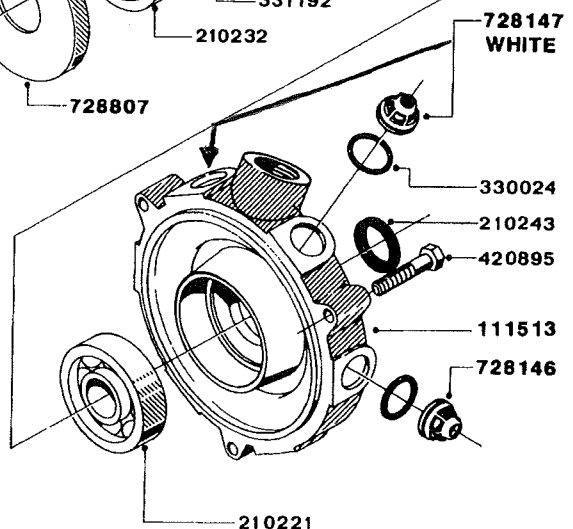
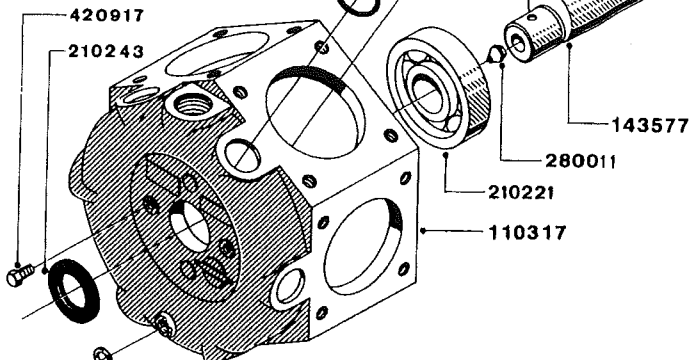
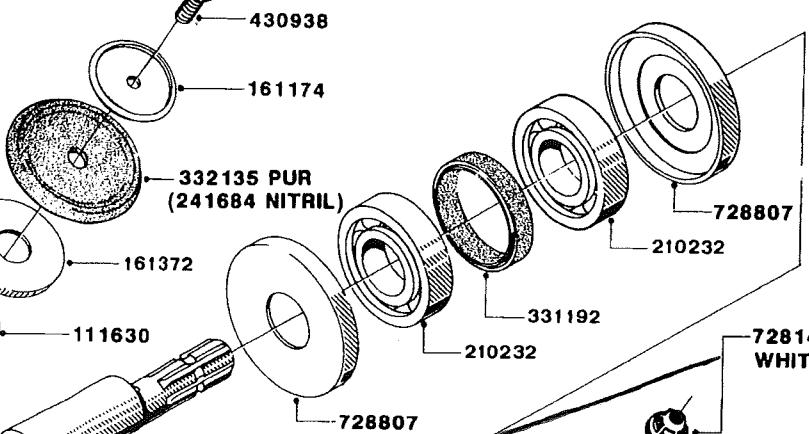
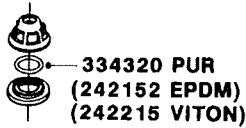
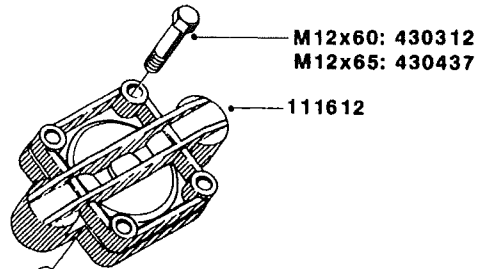
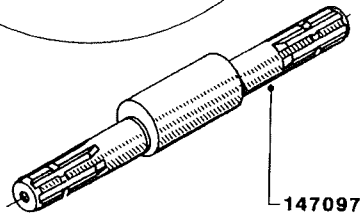


PUMP - 363 W/ MOUNTING BASE



~~750342~~
75073700



DESCRIPTIONS ON BACK OF PAGE



PUMP 363 W/ MOUNTING BASE

ITEM #	DESCRIPTION
110317	PUMP CASING MODEL 360/361 PNTD
111513	CASTING F.361 PUMP (FRONT)
111612	VALVE COVER F. 363 PUMP
111630	CONNECTING ROD F. 363 PUMP
143577	CRANK SHAFT FOR 460 PUMP
144454	PLUG 1/4" BSP
147097	CRANK SHAFT 462/10 THROUGH
161174	DIAPHRAGM DISC SS F.363 PUMP
161372	DIAPHRAGM BACKING DISC,320-361
171243	FOOT F/361 PUMP (PAINTED)
210221	BEARING BALL 6407
210232	BEARING BALL 6310
210243	SEAL OIL 35 X 47 X 7
241404	DOWTYSEAL 1/4"
241684	DIAPHRAGM MODEL 361 NITRIL
242152	O-RING D18.2X3 EPDM
242215	O-RING D18X3 VITON
280011	GREASE NIPPLE 1/8" H TR
330024	O-RING D41,1/D34.5 X 3,5
331192	SPACER, MODEL 361
332135	DIAPHRAGM MODEL 361 POLY.
334320	O-RING D18X3 POLYURETHANE
420626	BOLT HEX 8.8 DEL M10X20 FT
420895	BOLT HEX 8.8 RAW M10X60
420917	BOLT HEX 8.8 RAW M8X12 FT
430312	BOLT HEX 8.8 RAW M12X60
430437	BOLT HEX 8.8 RAW M12X65
430938	BOLT HEX SS M12 X 50
460342	NUT HEX M10
728146	VALVE FOR 361(726890/707932)
728147	VALVE FOR 361 WHITE WITH HOLE
728807	METAL SPACER F.361
750342	PUMP KIT F. 363

SERVICE NOTES 363 PUMP

- 1) There are 12 valves required for this pump. 10 (728146) are black and 2 (728147) are white. The breakdown for the pump doesn't illustrate where they go on the pump, but the two white valves are located on either side of the suction side of the pump at the 1 o'clock and 11 o'clock positions. The 10 black valves are located in the remaining openings.
- 2) Before tightening the diaphragms in the pump, MAKE SURE that you coat the diaphragm with vegetable oil to lubricate and rotate the crank shaft so that the piston rod is fully extended on the port you will be working on. The lubrication and piston rod position is critical to ensure that the diaphragm is seated properly.