



Agroparts: www.HARDI-INTERNATIONAL.com

Mercury - Trailer 600/925
Gallon 36" Fan

Country-Code 11

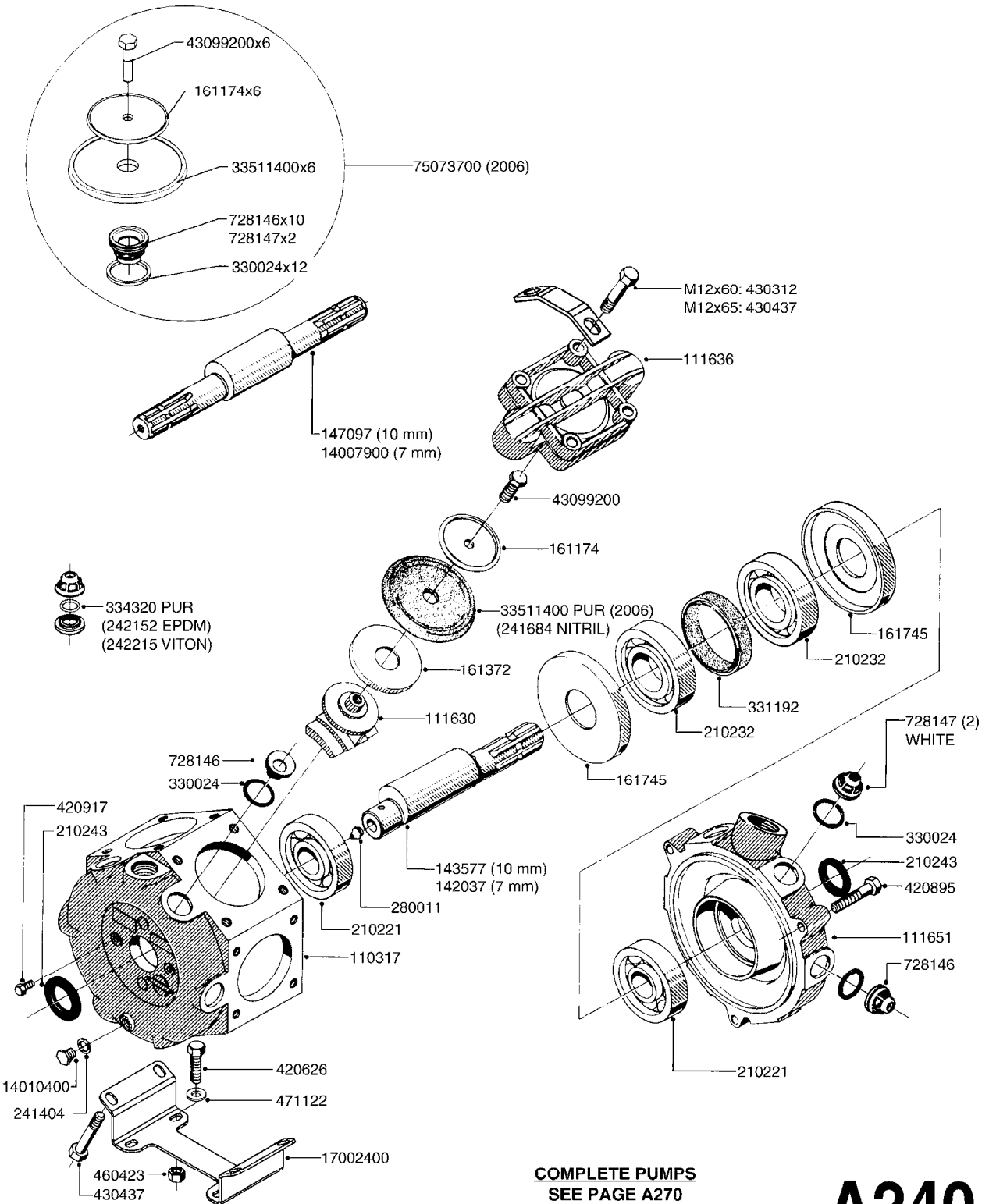
Date 29.02.2012 11:01



MERCURY 600/925 Gallon
36" Fan



| main group | page-n° | date | description |
|----------------------------------|----------|----------|--------------------------------|
| Pumps, Pto's, Gear Boxes | A240-HIN | 01:12:11 | PUMP - 363 W/MOUNTING BASE |
| | A270-HIN | 01:12:11 | PUMP - 361/363FITTINGS |
| | A480-HIN | 13:12:11 | PTO SHAFTS - BONDIOLI DIAPH. |
| | A485-HIN | 17:06:10 | PTO SHAFTS - BONDIOLI CENT. |
| | A560-HIN | 22:12:11 | PTO SHAFTS - AMA DIAPHRAGM |
| Controls, Suction & S.C. Filters | B121-HIN | 21:05:09 | HC/2 MANIFOLD SYSTEM |
| | B123-HIN | 02:11:10 | EC/2 MANIFOLD SYSTEM |
| | B252-HIN | 02:11:10 | EVC, ECP, ECPC CONTROLS |
| | B300-HIN | 27:04:11 | MANIFOLD - S67 VALVE |
| | B430-HIN | 12:12:05 | SUCTION FILT.-VINEYARD&ORCHARD |
| Hydraulics | C470-HIN | 15:06:07 | HYD - REMOTE SECTION VALVES |
| Tanks | E312-HIN | 21:09:11 | TANK - MERCURY 600 |
| | E316-HIN | 21:09:11 | TANK - MERCURY 925 |
| Frames, Hub Assemblies | F253-HIN | 02:11:10 | FRAME - MERCURY 600 |
| | F254-HIN | 12:12:05 | DRAWBARS - MERCURY/ARROW |
| | F255-HIN | 01:01:01 | DRAWBAR - TURNABLE HITCH |
| | F420-HIN | 28:11:06 | HUB ASSEMBLY F.2 1/8" SPINDLE |
| | F440-HIN | 08:06:10 | HUB ASSY F. 3" SPINDLE CM750 |
| | F610-HIN | 21:10:10 | FRAME - MERCURY 600 '05 |
| | F620-HIN | 26:10:10 | FRAME - MERCURY 925 '05 |
| Accessories | G120-HIN | 06:10:10 | DRAIN ASSEMBLY-PULL CORD TYPE |
| | G220-HIN | 18:06:09 | FILTER ASSEMBLIES-IN LINE |
| | G490-HIN | 08:04:10 | TRANSDUCERS AND ACCESSORIES |
| | G505-HIN | 05:05:11 | POWDER MIXER |
| | G704-HIN | 22:06:09 | CABLES |
| | G705-HIN | 01:12:10 | JUNCTION BOX - LIQUID |
| | G710-HIN | 16:11:09 | 39 PIN CABLES |
| Vineyard & Orchard Sprayers | K275-HIN | 01:01:01 | MERCURY - 36" AXIAL FAN |
| | K276-HIN | 01:12:10 | MERCURY - 36" AXIAL FAN '05 |
| | K320-HIN | 01:01:01 | NOZZLES - AXIAL JET 1/4 X 1 |
| | K330-HIN | 01:01:01 | NOZZLES - AXIAL JET 1/4 X 2 |
| | K340-HIN | 01:01:01 | NOZZLES - SINGLE & DOUBLE JETS |
| | K490-HIN | 04:11:10 | MERCURY - 36" AXIAL GEARBOX |



COMPLETE PUMPS
SEE PAGE A270

A240



PUMP - 363 W/MOUNTING BASE
A240-HIN, 01:12:11

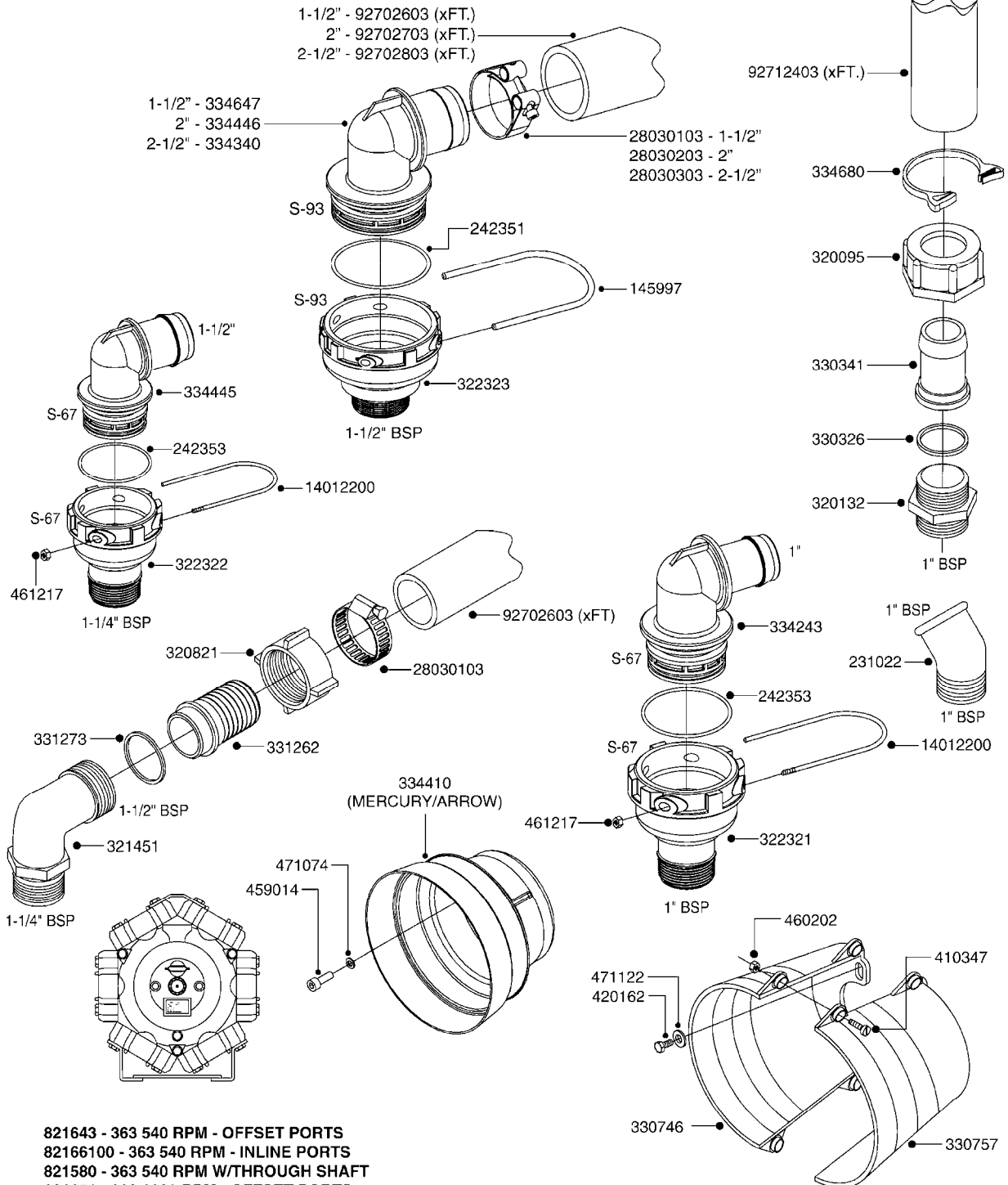
Page 1
Date 29.02.2012 11:01

| parts-n° | order qty | description |
|----------|-----------|--------------------------------|
| 110317 | 1 | PUMP CASING MODEL 360/361 PNTD |
| 111630 | 1 | CONNECTING ROD F. 363 PUMP |
| 111636 | 1 | VALVE COVER 363 HEAVY DUTY |
| 111651 | 1 | CASTING F.363 1.5" PUMP(FRONT) |
| 142037 | 1 | CRANK SHAFT 361-20 |
| 143577 | 1 | CRANK SHAFT F.363/462/463-10mm |
| 147097 | 1 | CRANK SHAFT 363-463/10 THROUGH |
| 161174 | 1 | DIAPHRAGM DISC SS F.363 PUMP |
| 161372 | 1 | DIAPHRAGM BACKING DISC,320-361 |
| 161745 | 1 | METAL SPACER F.363/463 |
| 210221 | 1 | BEARING BALL 6407 |
| 210232 | 1 | BEARING BALL 6310 |
| 210243 | 1 | SEAL OIL 35 X 47 X 7 |
| 241404 | 1 | DOWTYSEAL 1/4" |
| 241684 | 1 | DIAPHRAGM MODEL 361 NITRIL |
| 242152 | 1 | O-RING D18.2X3 EPDM |
| 242215 | 1 | O-RING D18X3 VITON |
| 280011 | 1 | GREASE NIPPLE 1/8' H TR |
| 330024 | 1 | O-RING D41,1/D34.5 X 3,5 |
| 331192 | 1 | SPACER, |
| 334320 | 1 | O-RING D18X3 POLYURETHANE |
| 420626 | 1 | BOLT HEX 8.8 DEL M10X20 FT |
| 420895 | 1 | BOLT HEX 8.8 RAW M10X60 |
| 420917 | 1 | BOLT HEX 8.8 RAW M8X12 FT |
| 430312 | 1 | BOLT HEX 8.8 RAW M12X60 |
| 430437 | 1 | BOLT HEX 8.8 RAW M12X65 |
| 460423 | 1 | NUT HEX M10X1.5 LOCK |
| 471122 | 1 | WASHER D20/D10.5X2 SS |
| 728146 | 1 | VALVE FOR 361(726890/707932) |
| 728147 | 1 | VALVE FOR 361 WHITE WITH HOLE |
| 14007900 | 1 | CRANK 363/462/463-7mm 540/THRU |
| 14010400 | 1 | PLUG 1/4" BSP |
| 17002400 | 1 | FOOT F/363 PUMP (PAINTED) |
| 33511400 | 1 | DIAPHRAGM 361/363 pur 2006 |
| 43099200 | 1 | BOLT HEX SS M12 X 30 DIN933 A4 |
| 75073700 | 1 | PUMP KIT 363 2006 |



SUCTION SIDE OF PUMP

PRESSURE SIDE OF PUMP



- 821643 - 363 540 RPM - OFFSET PORTS
- 82166100 - 363 540 RPM - INLINE PORTS
- 821580 - 363 540 RPM W/THROUGH SHAFT
- 821651 - 363 1000 RPM - OFFSET PORTS
- 82166200 - 363 1000 RPM - INLINE PORTS
- 821575 - 363 1000 RPM W/THROUGH SHAFT

**COMPLETE ASSEMBLIES
WHOLEGOODS ITEMS**

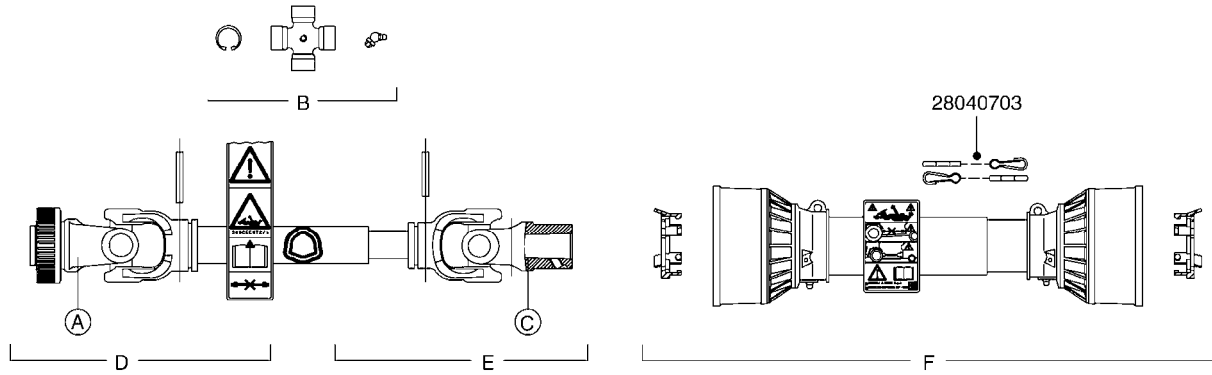
A270



PUMP - 361/363 FITTINGS
A270-HIN, 01:12:11

Page 1
Date 29.02.2012 11:01

| parts-n° | order qty | description |
|----------|-----------|--------------------------------|
| 145997 | 1 | FITT.DK S-93 FORK |
| 231022 | 1 | FITT.DK ELB. 1' BSP GF 121 |
| 242351 | 1 | O-RING D69.5X3.0 VITON F.S-93 |
| 242353 | 1 | O-RING D44.2X3.0 VITON F.S-67 |
| 320095 | 1 | FITT.DK NUT 1" BSP |
| 320132 | 1 | FITT.DK HN 1" BSP |
| 320821 | 1 | FITT.DK NUT 1-1/2" BSP |
| 321451 | 1 | FITT.DK ELB.1-1/2 X1-1/4 80DEG |
| 322321 | 1 | FITT.DK S-67 X 1"BSP MALE |
| 322322 | 1 | FITT.DK S-67 X 1-1/4"BSP MALE |
| 322323 | 1 | FITT.DK S-93 X 1-1/2"BSP MALE |
| 330326 | 1 | O-RING D30/D24X2 F.1"NUT |
| 330341 | 1 | FITT.DK HB 1" F. 1" NUT |
| 330746 | 1 | GUARD PTO LOWER PART |
| 330757 | 1 | GUARD PTO UPPER PART |
| 331262 | 1 | FITT.DK HB 1-1/2" F. 1-1/2"NUT |
| 331273 | 1 | O-RING D44/D38X2 F.1-1/2" |
| 334243 | 1 | FITT.DK S-67 ELB.1" |
| 334340 | 1 | FITT.DK S-93 ELB.2-1/2' PVC |
| 334410 | 1 | PROTECTION GUARD |
| 334445 | 1 | FITT.DK S-67 ELB.1-1/2" |
| 334446 | 1 | FITT.DK S-93 ELB. 2' RUBBER |
| 334647 | 1 | FITT.DK S93 ELB 1-1/2" 90 PVC |
| 334680 | 1 | CLAMP HOSE PLASTIC 1" |
| 410347 | 1 | SCREW M6X20 8.8 |
| 420162 | 1 | BOLT HEX 8.8 DEL 3/8"x15MM |
| 459014 | 1 | ALLEN SCREW M8 X 15 GALV.DIN93 |
| 460202 | 1 | NUT HEX M6 |
| 461217 | 1 | NUT HEX M5 LOCK |
| 471074 | 1 | WASHER M8 ELZ |
| 471122 | 1 | WASHER D20/D10.5X2 SS |
| 821575 | 1 | PUMP 363/5.5 THROUGH SHAFT |
| 821580 | 1 | PUMP 363/10 THROUGH SHAFT |
| 821643 | 1 | PUMP 363/10 1.5"SUC 540RPM OSP |
| 821651 | 1 | PUMP 363/5.5/1000 OSP |
| 14012200 | 1 | FITT.DK S-67 FORK W/M5 THREADS |
| 28030103 | 1 | CLAMP HOSE GEAR P5/4-S1.5"6724 |
| 28030203 | 1 | CLAMP HOSE T-BOLT S2" 235-67 |
| 28030303 | 1 | CLAMP HOSE T-BOLT S2.5" 235-76 |
| 82166100 | 1 | PUMP 363/10 1.5"SUC 540RPM |
| 82166200 | 1 | PUMP 363/5.5 1.5"SUC 1000RPM |
| 92702603 | 1 | HOSE PVC SUCT GRAY 1-1/2" |
| 92702703 | 1 | HOSE PVC SUCT GRAY 2" |
| 92702803 | 1 | HOSE PVC SUCT GRAY 2-1/2" |
| 92712403 | 1 | HOSE R X1" X300PSI WP X0012" |



| PTO | TRACTOR | IMPLEMENT | LENGTH | A | B | C | D | E | F |
|----------|---------------------|---------------------|-----------|----------|----------|----------|----------|----------|----------|
| 28020203 | 1-3/4" 20-SPLINE | 1-3/8" 21-SPLINE | 860/1313 | 28015703 | 28009403 | 28040603 | 28015803 | 28015903 | 28016003 |
| 28020303 | 1-3/8" 21-SPLINE | 1-3/8" 21-SPLINE | 860/1328 | 28015103 | 28015203 | 28015303 | 28015403 | 28015503 | 28015603 |
| 829445 | 1-3/8" 6-SPLINE | 1-3/8" 6-SPLINE | 810/1219 | 284041 | 289045 | 289041 | 28016703 | 28016803 | 289050 |
| 829446 | 1-3/8" 6-SPLINE | 1-3/8" 6-SPLINE | 810/1230 | 289040 | 284041 | 289040 | 28016203 | 28016303 | 289049 |
| 829480 | 1-3/8" 21-SPLINE | 1-3/8" 21-SPLINE | 1210/1912 | 28005200 | 289042 | 28005800 | 28006700 | 28007300 | 28008100 |
| 829482 * | 1-3/8" 6-SPLINE | Ø25 CONE 3 | 610/912 | 28005400 | 289042 | 28006000 | 28008500 | 28007500 | 28008600 |
| 829483 * | 1-3/8" 6-SPLINE | Ø30 CONE 4 | 610/912 | 28005400 | 289042 | 28006100 | 28008500 | - | 28008600 |
| 829484 * | 1-3/8" 6-SPLINE | 1-3/8" 6-SPLINE | 610/912 | 28005400 | 289042 | 28006200 | 28008500 | - | 28008600 |
| 829486 | 1-3/8" 6-SPLINE | Ø30 CONE 4 | 860/1328 | 28005400 | 289042 | 28006100 | 28006900 | - | 28008100 |
| 829487 * | 1-3/8" 6-SPLINE | 1-3/8" 6-SPLINE | 860/1328 | 28005400 | 289042 | 28006200 | 28006900 | - | 28008100 |
| 829490 | 1-3/8" 6-SPLINE | Ø30 CONE 4 | 1210/1912 | 28005400 | 289042 | 28006100 | 28006900 | - | 28008100 |
| 829491 | 1-3/8" 6-SPLINE | Ø1" | 610/912 | 28005400 | 289042 | 28006300 | 28008500 | 28007800 | 28008600 |
| 829502 * | 1-3/8" 6-SPLINE | 1-3/8" 6-SPLINE | 1210/1912 | 28068800 | 28069700 | 28073000 | - | - | 28072800 |

* Supplier changed in 2011 - see page A560 for "AMA" PTO's (yellow and black shields).

A480

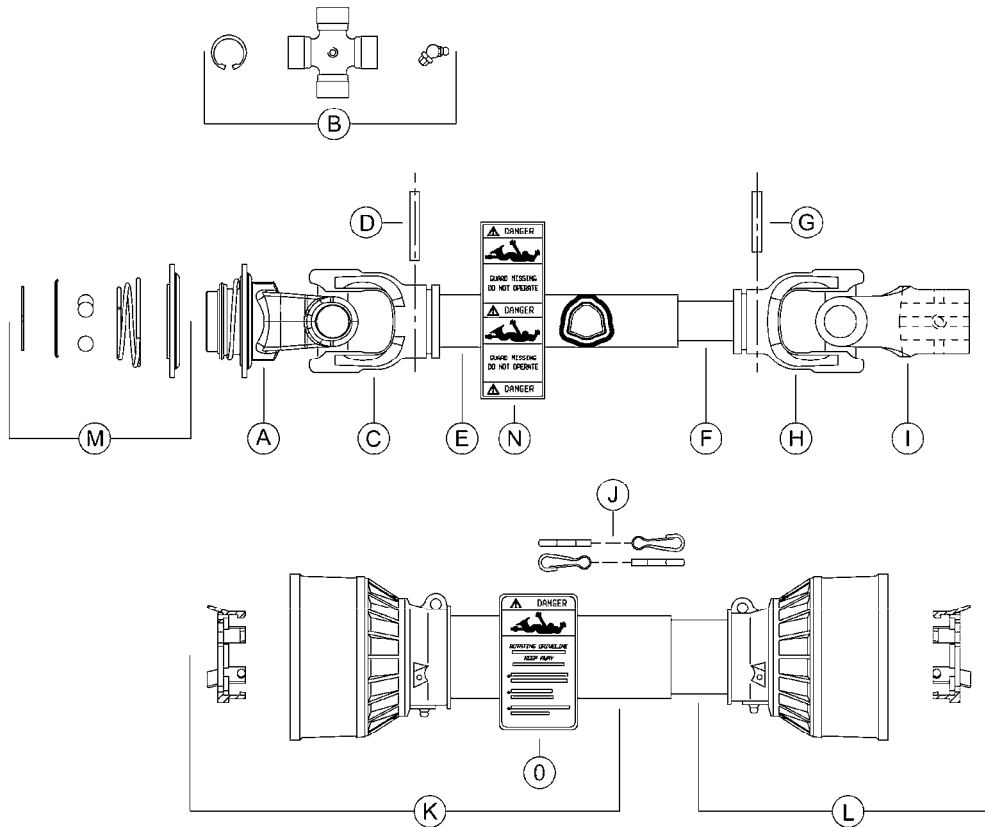


PTO SHAFTS - BONDIOLI DIAPH.
A480-HIN, 13:12:11

Page 1

Date 29.02.2012 11:02

| parts-n° | order qty | description |
|----------|-----------|--------------------------------|
| 284041 | 1 | UNIV. JOINT 27x70mm |
| 289040 | 1 | PTO YOKE 1-3/8" X 6 SPLINE |
| 289041 | 1 | PTO YOKE 1-3/8" X 6 SPLINE |
| 289042 | 1 | UNIV.CROSS F. PTO SHAFT 41201 |
| 289045 | 1 | UNIV.CROSS F. PTO SHAFT TWIN |
| 289049 | 1 | PTO SHIELD COMPLETE F.829446 |
| 289050 | 1 | PTO SHIELD COMPLETE F.829445 |
| 829445 | 1 | PTO 1-3/8/6X1-3/8/6X810M AXIAL |
| 829446 | 1 | PTO SHAFT LE-SPV + LP ZE-P540 |
| 829480 | 1 | PTO 1-3/8/21 x 1-3/8/21x1210MM |
| 829482 | 1 | PTO 1-3/8/6X25MM X 600MM 1202 |
| 829483 | 1 | PTO 1-3/8/6X30MM x 600MM 1302 |
| 829484 | 1 | PTO 1-3/8/6X1-3/8/6X575MM 361 |
| 829486 | 1 | PTO 1-3/8/6X30MM X870MM 1302 |
| 829487 | 1 | PTO 1-3/8/6X1-3/8/6X870MM 361 |
| 829490 | 1 | PTO 1-3/8/6X30MM 1320MM 1302 |
| 829491 | 1 | PTO 1-3/8/6X1' 610/913MM 9016 |
| 829502 | 1 | PTO 3/8-1210/1745 |
| 28005200 | 1 | PTO YOKE 1-3/8" X 21 SPLINE |
| 28005400 | 1 | PTO YOKE 1-3/8" X 6 SPLINE |
| 28005800 | 1 | PTO YOKE 1-3/8" X 21 SPLINE |
| 28006000 | 1 | PTO YOKE D25 CONE 3 DEG. |
| 28006100 | 1 | PTO YOKE D30 CONE 4 DEG. |
| 28006200 | 1 | PTO YOKE 1-3/8" X 6 SPLINE |
| 28006300 | 1 | PTO YOKE D1" |
| 28006700 | 1 | PTO OUTER 1-3/8"X21(NO SHIELD) |
| 28006900 | 1 | PTO OUTER 1-3/8"X21(NO SHIELD) |
| 28007300 | 1 | PTO INNER 1-3/8"X21(NO SHIELD) |
| 28007500 | 1 | PTO INNER 1-3/8"X21(NO SHIELD) |
| 28007800 | 1 | PTO INNER 1-3/8"X21(NO SHIELD) |
| 28008100 | 1 | PTO INNER 1-3/8X6 (NO SHIELD) |
| 28008500 | 1 | PTO OUTER 1-3/8"X21(NO SHIELD) |
| 28008600 | 1 | PTO SHIELD ASSY COMPLETE |
| 28009403 | 1 | UNIV. JOINT 23.8x61.3mm |
| 28015103 | 1 | PTO YOKE 1-3/8"X21 TWST OLD |
| 28015203 | 1 | UNIV. JOINT 23.8x61.3mm |
| 28015303 | 1 | PTO YOKE 1-3/8"X21 BALL COLLAR |
| 28015403 | 1 | PTO OUTER 1-3/8"X21(NO SHIELD) |
| 28015503 | 1 | PTO INNER 1-3/8"X21(NO SHIELD) |
| 28015603 | 1 | PTO SHIELD COMPLETE F.28020303 |
| 28015703 | 1 | PTO YOKE 1-3/4"X20 SPL OUTER |
| 28015803 | 1 | PTO OUTER 1-3/4"X20(NO SHIELD) |
| 28015903 | 1 | PTO INNER 1-3/8"X21(NO SHIELD) |
| 28016003 | 1 | PTO SHIELD COMPLETE F.10465803 |
| 28016203 | 1 | PTO OUTER 1-3/8"X6(NO SHIELD) |
| 28016303 | 1 | PTO INNER 1-3/8"X6(NO SHIELD) |
| 28016703 | 1 | PTO OUTER 1-3/8"X6(NO SHIELD) |
| 28016803 | 1 | PTO INNER 1-3/8"X6(NO SHIELD) |
| 28020203 | 1 | PTO 1-3/4/20x1-3/8/21 BP L=860 |
| 28020303 | 1 | PTO 1-3/8/21 x 1-3/8/21 B&P |
| 28040603 | 1 | PTO YOKE 1-3/8X21SPL BLACK |
| 28040703 | 1 | SAFETY CHAIN F.CV BLACK PTO |
| 28068800 | 1 | PTO YOKE 1-3/8" X 6 SPLINE |
| 28069700 | 1 | UNIV. JOINT STD1 SFT |
| 28072800 | 1 | PTO SHIELD COMPLETE L=1912 SFT |
| 28073000 | 1 | PTO YOKE 1-3/8" X 6 SPLINE |



**COMPLETE ASSEMBLIES
WHOLEGOOD ITEMS**

| PTO # | 28021403 | 28021503 | 28021603 |
|-----------|-----------------|------------------|------------------|
| TRACTOR | 1-3/8" 6 SPLINE | 1-3/8" 21 SPLINE | 1-3/4" 20 SPLINE |
| IMPLEMENT | D1" | D1" | D1" |
| LENGTH | 1031/1501 | 1031/1499 | 1066/1519 |
| A | 28056703 | 28056803 | 28056903 |
| B | 289042 | 289042 | 28040503 |
| C | 28057003 | 28057003 | 28057103 |
| D | 28057203 | 28057203 | 28009803 |
| E | 28057303 | 28057303 | 28057403 |
| F | 28057503 | 28057503 | 28057603 |
| G | 28057703 | 28057703 | 28009903 |
| H | 28058503 | 28058503 | 28010103 |
| I | 28057803 | 28057803 | 28057903 |
| J | 28040703 | 28040703 | 28040703 |
| K | 28058003 | 28058003 | 28058103 |
| L | 28058203 | 28058203 | 28058303 |
| M | 28027903 | 28027903 | 28058403 |
| N | 28041803 | 28041803 | 28041803 |
| O | 28041903 | 28041903 | 28041903 |

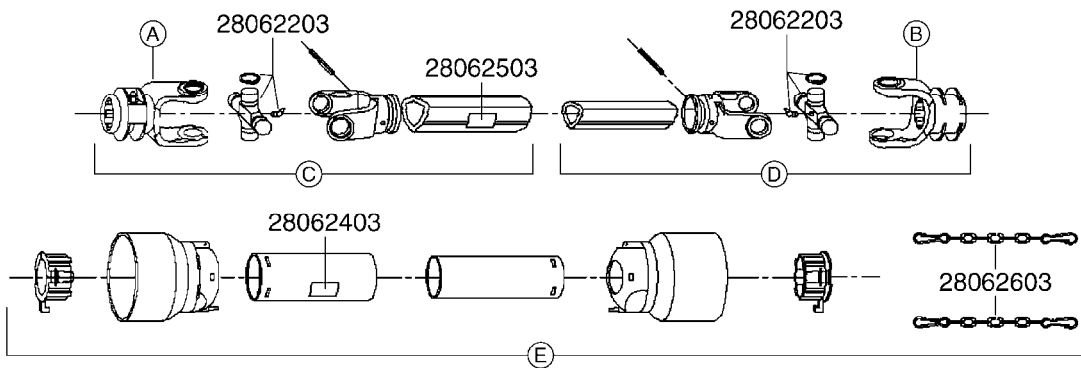
A485



PTO SHAFTS - BONDIOLI CENT.
A485-HIN, 17:06:10

Page 1
Date 29.02.2012 11:02

| parts-n° | order qty | description |
|----------|-----------|--------------------------------|
| 289042 | 1 | UNIV.CROSS F. PTO SHAFT 41201 |
| 28009803 | 1 | PTO PIN TUBE RETAINER OUTER |
| 28009903 | 1 | PTO TUBE RETAINER INNER |
| 28010103 | 1 | PTO YOKE F.INNER TUBE CV PTO |
| 28021403 | 1 | PTO 1"STR/1-3/8" 6SPL B&P |
| 28021503 | 1 | PTO 1"STR/1-3/8" 21SPL B&P |
| 28021603 | 1 | PTO 1"STR/1-3/4" 20SPL B&P |
| 28027903 | 1 | PTO BALL LOCK.KIT F.1-3/8 YOKE |
| 28040503 | 1 | UNIV. JOINT 30.2x79.4mm F/BLK. |
| 28040703 | 1 | SAFETY CHAIN F.CV BLACK PTO |
| 28041803 | 1 | DECAL DANGER GUARD MISSING |
| 28041903 | 1 | DECAL DANGER ROT.DRIVELINE |
| 28056703 | 1 | PTO YOKE #1 1-3/8" X 6 SPLINE |
| 28056803 | 1 | PTO YOKE #1 1-3/8" X 21 SPLINE |
| 28056903 | 1 | PTO YOKE #4 1-3/8" X 20 SPLINE |
| 28057003 | 1 | PTO TUBE YOKE #1-G1 OUTER |
| 28057103 | 1 | PTO TUBE YOKE #4-G4 OUTER |
| 28057203 | 1 | PTO PIN TUBE RETAINER OUTER |
| 28057303 | 1 | PTO TUBE OUTER #1 745MM |
| 28057403 | 1 | PTO TUBE OUTER #4 720MM |
| 28057503 | 1 | PTO TUBE INNER #1 745MM |
| 28057603 | 1 | PTO TUBE INNER #4 720MM |
| 28057703 | 1 | PTO TUBE RETAINER INNER |
| 28057803 | 1 | PTO TUBE YOKE #1 Ø=1" |
| 28057903 | 1 | PTO TUBE YOKE #4 Ø=1" |
| 28058003 | 1 | PTO SHIELD COMPLETE |
| 28058103 | 1 | PTO SHIELD COMPLETE |
| 28058203 | 1 | PTO YOKE D30 AMA |
| 28058303 | 1 | PTO YOKE D30 AMA |
| 28058403 | 1 | PTO BALL LOCK.KIT F.1-3/4 YOKE |
| 28058503 | 1 | PTO TUBE YOKE #1-G1 INNER |



| PTO # | 829482 | 829483 | 829484 | 829487 |
|-----------|-----------------|-----------------|-----------------|-----------------|
| TRACTOR | 1-3/8" 6 SPLINE | 1-3/8" 6 SPLINE | 1-3/8" 6 SPLINE | 1-3/8" 6 SPLINE |
| IMPLEMENT | 25 mm | 30 mm | 1-3/8" 6 SPLINE | 1-3/8" 6 SPLINE |
| LENGTH | 610/800 | 610/800 | 610/800 | 860/1050 |
| A | 28062103 | 28062103 | 28062103 | 28062103 |
| B | 28062303 | 28063003 | 28062103 | 28062103 |
| C | 28062703 | 28062703 | 28062703 | 28063403 |
| D | 28062803 | 28063103 | 28063203 | 28063503 |
| E | 28062903 | 28062903 | 28062903 | 28063303 |

Note: For "Bondioli" PTO's (previous supplier) - see page A480.

COMPLETE ASSEMBLIES
WHOLEGOOD ITEMS

A560

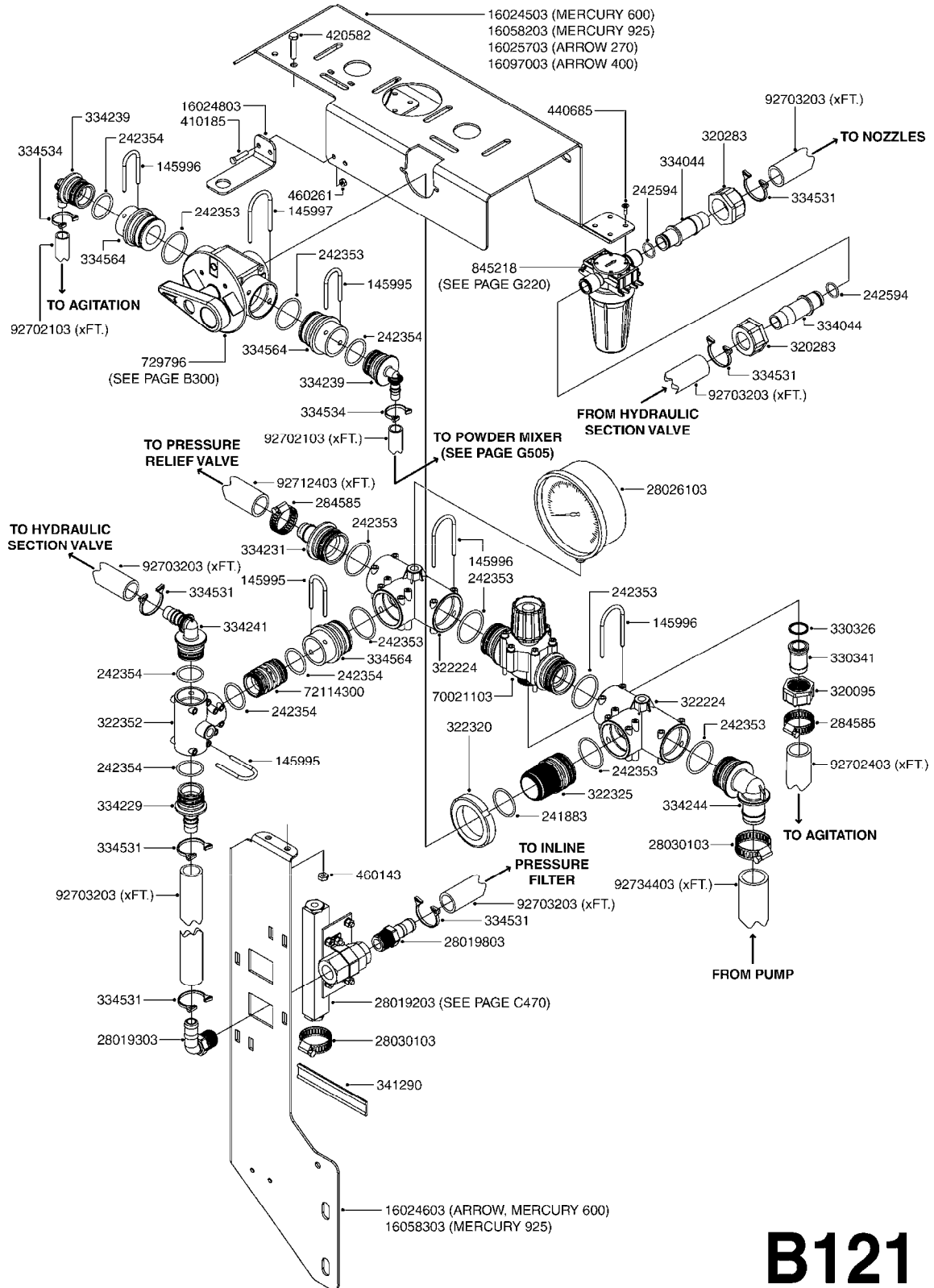


PTO SHAFTS - AMA DIAPHRAGM
A560-HIN, 22:12:11

Page 1

Date 29.02.2012 11:02

| parts-n° | order qty | description |
|----------|-----------|-------------------------------|
| 829482 | 1 | PTO 1-3/8/6X25MM X 600MM 1202 |
| 829483 | 1 | PTO 1-3/8/6X30MM x 600MM 1302 |
| 829484 | 1 | PTO 1-3/8/6X1-3/8/6X575MM 361 |
| 829487 | 1 | PTO 1-3/8/6X1-3/8/6X870MM 361 |
| 28062103 | 1 | PTO YOKE 1-3/8X6 AMA |
| 28062203 | 1 | UNIV.JOINT CAT.1 AMA |
| 28062303 | 1 | PTO YOKE D25 AMA |
| 28062403 | 1 | DECAL - DANGER ROTATING SHAFT |
| 28062503 | 1 | DECAL - DANGER MISSING GUARD |
| 28062603 | 1 | SAFETY CHAIN F.PTO AMA |
| 28062703 | 1 | PTO OUTER 1-3/8X6 (NO SHIELD) |
| 28062803 | 1 | PTO INNER D25 (NO SHIELD) |
| 28062903 | 1 | PTO SHIELD COMPLETE |
| 28063003 | 1 | PTO YOKE D30 AMA |
| 28063103 | 1 | PTO INNER 1-3/8X6 (NO SHIELD) |
| 28063203 | 1 | PTO INNER 1-3/8X6 (NO SHIELD) |
| 28063303 | 1 | PTO SHIELD COMPLETE |
| 28063403 | 1 | PTO OUTER 1-3/8X6 (NO SHIELD) |
| 28063503 | 1 | PTO INNER 1-3/8X6 (NO SHIELD) |



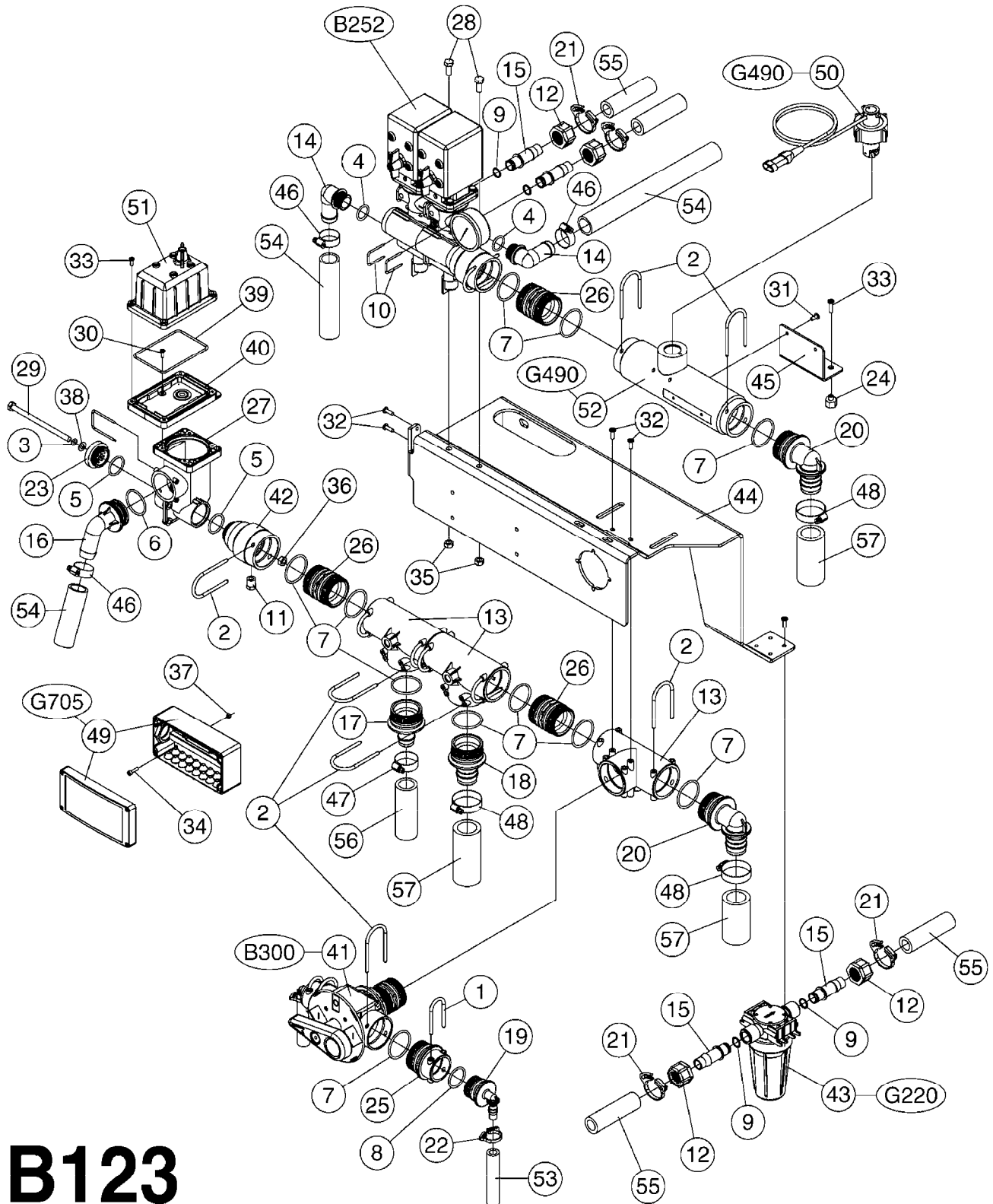
B121



HC/2 MANIFOLD SYSTEM
B121-HIN, 21:05:09

Page 1
Date 29.02.2012 11:02

| parts-n° | order qty | description |
|----------|-----------|--------------------------------|
| 145995 | 1 | FITT.DK S-53 FORK |
| 145996 | 1 | FITT.DK S-67 FORK |
| 145997 | 1 | FITT.DK S-93 FORK |
| 241883 | 1 | O-RING D39.2X3 NITRIL |
| 242353 | 1 | O-RING D44.2X3.0 VITON F.S-67 |
| 242354 | 1 | O-RING D32.2X3.0 VITON F.S-53 |
| 242594 | 1 | O-RING D14 X 1.78 SCH.70-EPDM |
| 284585 | 1 | CLAMP HOSE GEAR 1" MINI 020 |
| 320095 | 1 | FITT.DK NUT 1" BSP |
| 320283 | 1 | FITT.DK NUT 3/4"BSP |
| 322224 | 1 | FITT.DK S-67 TEE |
| 322320 | 1 | NUT F.3 WAY VALVE S56 |
| 322325 | 1 | FITT.DK S-67 X 1-1/2"BSP LONG |
| 322352 | 1 | FITT.DK S-53 TEE |
| 330326 | 1 | O-RING D30/D24X2 F.1"NUT |
| 330341 | 1 | FITT.DK HB 1" F. 1" NUT |
| 334044 | 1 | FITT.DK HB 3/4' F. 3/4' CAP |
| 334229 | 1 | FITT.DK S-53 STR.3/4" |
| 334231 | 1 | FITT.DK S-67 STR.1' |
| 334239 | 1 | FITT.DK S-53 ELB.1/2" |
| 334241 | 1 | FITT.DK S-53 ELB.3/4" |
| 334244 | 1 | FITT.DK S-67 ELB.1-1/4" |
| 334531 | 1 | CLAMP HOSE PLASTIC 3/4" |
| 334534 | 1 | CLAMP HOSE PLASTIC 1/2" |
| 334564 | 1 | FITT.DK S-67 TO S-53 ADAPTER |
| 341290 | 1 | RUBBER STRAP, L=110 |
| 410185 | 1 | BOLT HEX 8.8 DEL M6X16 |
| 420582 | 1 | BOLT HEX 8.8 DEL M8X20 FT |
| 440685 | 1 | SCREW F.PLASTIC 4X14 SS C-SUNK |
| 460143 | 1 | NUT HEX M8 LOCK |
| 460261 | 1 | NUT HEX M6X1 LOCK |
| 729796 | 1 | VALVE S-67 MANUAL D33 J-D |
| 845218 | 1 | FILTER IN-LINE 3/4'50 MESH OML |
| 16024503 | 1 | SUPPORT MANIFOLD MERCURY |
| 16024603 | 1 | SUPPORT HYD VALVE MISTBLOWER |
| 16024803 | 1 | BRACKET REMOTE GAUGE MISTBLOW |
| 16025703 | 1 | BRACKET MANIFOLD ARROW 270 |
| 16058203 | 1 | SUPPORT MANIFOLD MERCURY 900 |
| 16058303 | 1 | SUPPORT HYD VALVE MERCURY 900 |
| 16097003 | 1 | BRACKET MANIFOLD ARROW 400 |
| 28019203 | 1 | VALVE HYD SHUTOFF 3/4"NPT |
| 28019303 | 1 | FITTING HB ELB 3/4NPT-3/4HOSE |
| 28019803 | 1 | FITTING HB 3/4NPT-3/4HOSE |
| 28026103 | 1 | GAUGE 200PSI/BR,4",1/4"BSP-BTM |
| 28030103 | 1 | CLAMP HOSE GEAR P5/4-S1.5"6724 |
| 70021103 | 1 | VALVE PCV GLUED ASSY |
| 72114300 | 1 | FITT. DK S-53 MALE MALE W.ORIN |
| 92702103 | 1 | HOSE R X1/2" X300PSI WP X0012" |
| 92702403 | 1 | HOSE PVC SUCT GRAY 1" |
| 92703203 | 1 | HOSE R X3/4" X300PSI WP X0012" |
| 92712403 | 1 | HOSE R X1" X300PSI WP X0012" |
| 92734403 | 1 | HOSE R X5/4" X200PSI WP X0012" |



B123



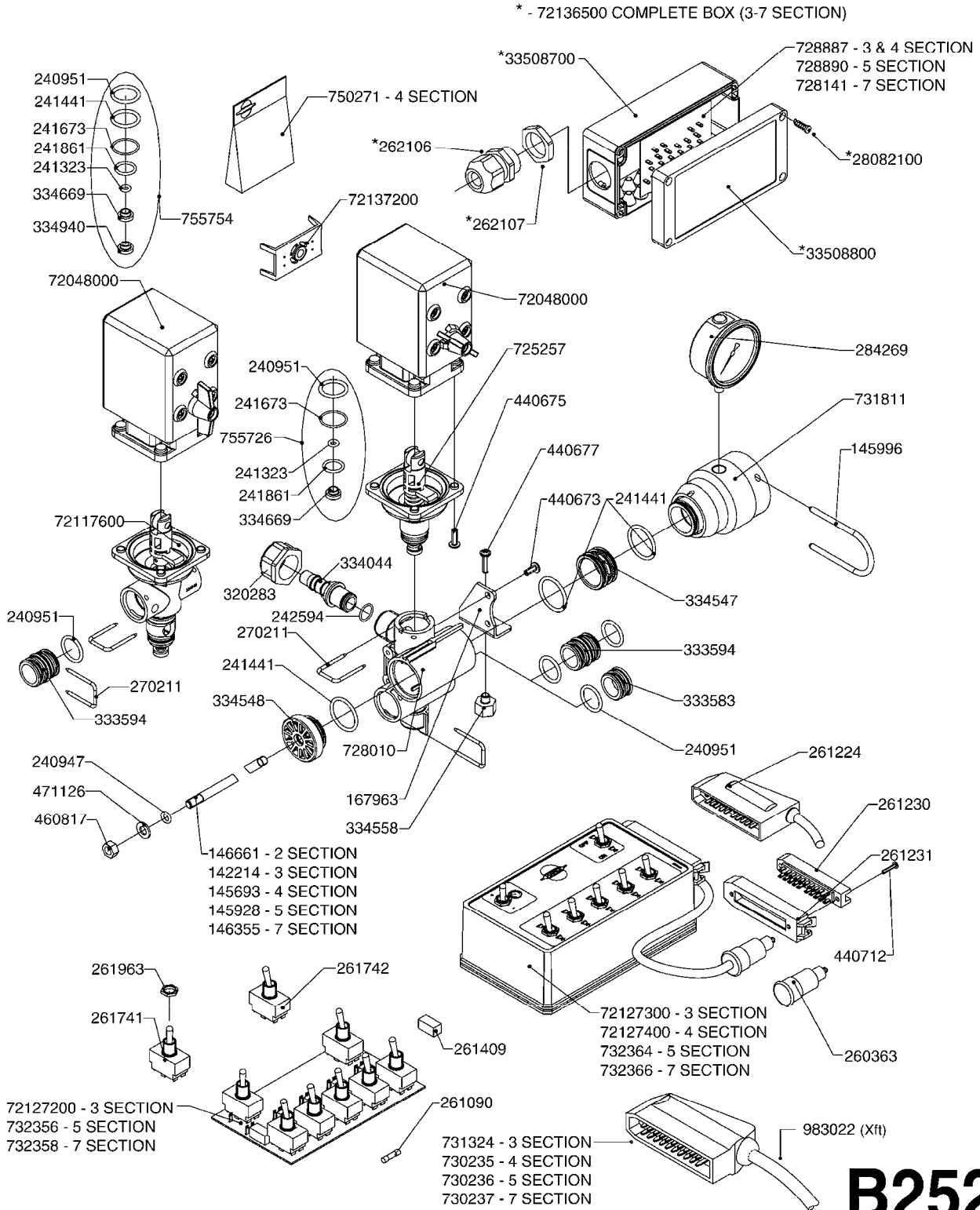
EC/2 MANIFOLD SYSTEM
B123-HIN, 02:11:10

Page 1
Date 29.02.2012 11:02

| Pos. | parts-n° | order qty | description |
|------|----------|-----------|--------------------------------|
| 1 | 145995 | 1 | FITT.DK S-53 FORK |
| 2 | 145996 | 1 | FITT.DK S-67 FORK |
| 3 | 240947 | 1 | O-RING D7.3X2.4 NITRIL |
| 4 | 240951 | 1 | O-RING D21.2X3 NITRIL |
| 5 | 241441 | 1 | O-RING D29.3X3 |
| 6 | 242020 | 1 | O-RING 39.2 X 3 VITON |
| 7 | 242353 | 1 | O-RING D44.2X3.0 VITON F.S-67 |
| 8 | 242354 | 1 | O-RING D32.2X3.0 VITON F.S-53 |
| 9 | 242594 | 1 | O-RING D14 X 1.78 SCH.70-EPDM |
| 10 | 270211 | 1 | FITT.DK S25 FORK L=37.5 |
| 11 | 285126 | 1 | PLUG 1/4'BSP PLASTIC |
| 12 | 320283 | 1 | FITT.DK NUT 3/4"BSP |
| 13 | 322224 | 1 | FITT.DK S-67 TEE |
| 14 | 333561 | 1 | FITT.DK ELB.1" EC RETURN |
| 15 | 334044 | 1 | FITT.DK HB 3/4' F. 3/4' CAP |
| 16 | 334100 | 1 | FITT.DK S-61 ELB.1" 110 DEG. |
| 17 | 334231 | 1 | FITT.DK S-67 STR.1' |
| 18 | 334232 | 1 | FITT.DK S-67 STR.1-1/4' |
| 19 | 334239 | 1 | FITT.DK S-53 ELB.1/2" |
| 20 | 334244 | 1 | FITT.DK S-67 ELB.1-1/4" |
| 21 | 334531 | 1 | CLAMP HOSE PLASTIC 3/4" |
| 22 | 334534 | 1 | CLAMP HOSE PLASTIC 1/2" |
| 23 | 334548 | 1 | END COVER |
| 24 | 334558 | 1 | NUT HEX PLASTIC INSERT |
| 25 | 334564 | 1 | FITT.DK S-67 TO S-53 ADAPTER |
| 26 | 334573 | 1 | FITT.DK S-67 CONNECTOR |
| 27 | 334861 | 1 | HOUSING F. HM EVC |
| 28 | 420582 | 1 | BOLT HEX 8.8 DEL M8X20 FT |
| 29 | 421256 | 1 | BOLT HEX 8.8 SS M8X130 |
| 30 | 440307 | 1 | SCREW SHEET-METAL 3/4" NO. 10 |
| 31 | 440673 | 1 | SCREW F.PLASTIC 5X12 SS |
| 32 | 440675 | 1 | SCREW F. PLASTIC 5X16 SS |
| 33 | 440677 | 1 | SCREW F. PLASTIC 5X20 SS |
| 34 | 450902 | 1 | BOLT ALLEN HEAD M4 X 16MM |
| 35 | 460143 | 1 | NUT HEX M8 LOCK |
| 36 | 460817 | 1 | NUT HEX M8 STAINLESS DIN 934 |
| 37 | 461145 | 1 | NUT HEX M4 LOCK |
| 38 | 471126 | 1 | WASHER D16/D8.4X1.6 SS |
| 39 | 614421 | 1 | GASKET F/MOTOR HOUSE-ON/OFF TR |
| 40 | 725070 | 1 | BRKT. PLATE F/PRES. CONT. EC |
| 41 | 729796 | 1 | VALVE S-67 MANUAL D33 J-D |
| 42 | 731811 | 1 | FITT.DK ADAPTOR S67 EC BOOM SE |
| 43 | 845218 | 1 | FILTER IN-LINE 3/4'50 MESH OML |
| 44 | 16101803 | 1 | CONTROL BRACKET F. MERCURY EC2 |
| 45 | 16101903 | 1 | FLOW METER BRACKET ALIGNED |
| 46 | 28029903 | 1 | CLAMP HOSE GEAR P3/4"-S1" 6712 |
| 47 | 28030003 | 1 | CLAMP HOSE GEAR P1" 6716 |
| 48 | 28030103 | 1 | CLAMP HOSE GEAR P5/4-S1.5"6724 |
| 49 | 72115400 | 1 | CONNECTION BOX F. OP. UNIT SV9 |
| 50 | 72117500 | 1 | FLOW SENSOR - M.AMP L=1M |
| 51 | 72182900 | 1 | MOTER REG.DME37 1:150 AMP YELL |
| 52 | 84208003 | 1 | FLOW METER,4-70 GPM,S67,CAL |
| 53 | 92702103 | 1 | HOSE R X1/2" X300PSI WP X0012" |
| 54 | 92702403 | 1 | HOSE PVC SUCT GRAY 1" |
| 55 | 92703203 | 1 | HOSE R X3/4" X300PSI WP X0012" |
| 56 | 92712403 | 1 | HOSE R X1" X300PSI WP X0012" |
| 57 | 92734403 | 1 | HOSE R X5/4" X200PSI WP X0012" |



EVC, ECP, ECPC CONTROLS
B252-HIN, 02:11:10



B252



EVC, ECP, ECPC CONTROLS
B252-HIN, 02:11:10

Page 1
Date 29.02.2012 11:02

| parts-n° | order qty | description |
|----------|-----------|--------------------------------|
| 142214 | 1 | STUD BOLT 8 X 265 - 5 MODULS |
| 145693 | 1 | STUD BOLT M8X330 |
| 145928 | 1 | STUD BOLT 8M X 400 |
| 145996 | 1 | FITT.DK S-67 FORK |
| 146355 | 1 | STUD BOLT M8 X 540 |
| 146661 | 1 | STUD BOLT M8 X 195 |
| 167963 | 1 | MOUNT BKT.F.EC BOOM SEC. |
| 240947 | 1 | O-RING D7.3X2.4 NITRIL |
| 240951 | 1 | O-RING D21.2X3 NITRIL |
| 241323 | 1 | O-RING D5.3X2.4 NITRIL |
| 241441 | 1 | O-RING D29.3X3 |
| 241673 | 1 | O-RING D22.1X1.6 |
| 241861 | 1 | O-RING D15.3X2.4 VITON |
| 242594 | 1 | O-RING D14 X 1.78 SCH.70-EPDM |
| 260363 | 1 | PLUG 2 POLE 12V |
| 261090 | 1 | FUSE 5 X 20 6.3A, 250V |
| 261224 | 1 | PLUG HOUSING F/20 POLE MALE |
| 261230 | 1 | PLUG INSERT 20 POLE FEMALE |
| 261231 | 1 | PLUG HOUSING 20 POLE FEMALE |
| 261409 | 1 | RELAY 12V F. ESC CNTRL BOX '96 |
| 261741 | 1 | SWITCH 2 POLE 12V TOGGLE PRESS |
| 261742 | 1 | SWITCH 2 POLE 12V ON/OFF |
| 261963 | 1 | NUT F.EC SWITCH |
| 262106 | 1 | BULKHEAD F. CABLE 6.5-14 BLACK |
| 262107 | 1 | NUT F. BULKHEAD CABLE BLACK |
| 270211 | 1 | FITT.DK S25 FORK L=37.5 |
| 284269 | 1 | GAUGE 2.5'BR BOTT.BAR16 |
| 320283 | 1 | FITT.DK NUT 3/4"BSP |
| 333583 | 1 | END PIECE FOR BYPASS |
| 333594 | 1 | CONNECTING PIECE F. BYPASS |
| 334044 | 1 | FITT.DK HB 3/4' F. 3/4' CAP |
| 334547 | 1 | CONNECTING PIECE F. PRESSURE |
| 334548 | 1 | END COVER |
| 334558 | 1 | NUT HEX PLASTIC INSERT |
| 334669 | 1 | VALVE CONE D14/D7-SH 63 WHITE |
| 334940 | 1 | VALVE CONE D14/D6-SH 63 GREEN |
| 440673 | 1 | SCREW F.PLASTIC 5X12 SS |
| 440675 | 1 | SCREW F. PLASTIC 5X16 SS |
| 440677 | 1 | SCREW F. PLASTIC 5X20 SS |
| 440712 | 1 | SCREW 30X16 STAINLESS |
| 460817 | 1 | NUT HEX M8 STAINLESS DIN 934 |
| 471126 | 1 | WASHER D16/D8.4X1.6 SS |
| 725257 | 1 | SPINDLE SECT. F/EC DISTRIBUTOR |
| 728010 | 1 | DISTRIB HOUSING W/CONST PR GRN |
| 728141 | 1 | CIRCUIT BOARD F.EC7 CONN. BOX |
| 728887 | 1 | CIRCUIT BOARD EC CONTROL |
| 728890 | 1 | CIRCUIT BOARD 5 SECTION EC |
| 730235 | 1 | CABLE F.CONTRL BOX EC4 L=11500 |
| 730236 | 1 | CABLE F.CONTRL BOX EC5 L=11500 |
| 730237 | 1 | CABLE EC7 L=11500MM |
| 731324 | 1 | CABLE F.CONTRL BOX EC3 L=11500 |
| 731811 | 1 | FITT.DK ADAPTOR S67 EC BOOM SE |
| 732356 | 1 | PRINT BOARD EVC ESC 5 SECTION |
| 732358 | 1 | PRINT BOARD EVC ESC 7 SECTION |
| 732364 | 1 | CONTROL BOX ESC/EVC 5 SEC.CM+ |
| 732366 | 1 | CONTROL BOX ESC/EVC 7 SEC.CM+ |
| 750271 | 1 | O-RING KIT F.EC/4 CONTROL UNIT |
| 755726 | 1 | O-RING KIT F.EC/ESC SEC.VALVE |
| 755754 | 1 | GASKET SET EVC DIST |
| 983022 | 1 | WIRE 12 x 0.5 x 2MM x 12" |
| 28082100 | 1 | SCREW F. BOX LID 1/4" L=20 |

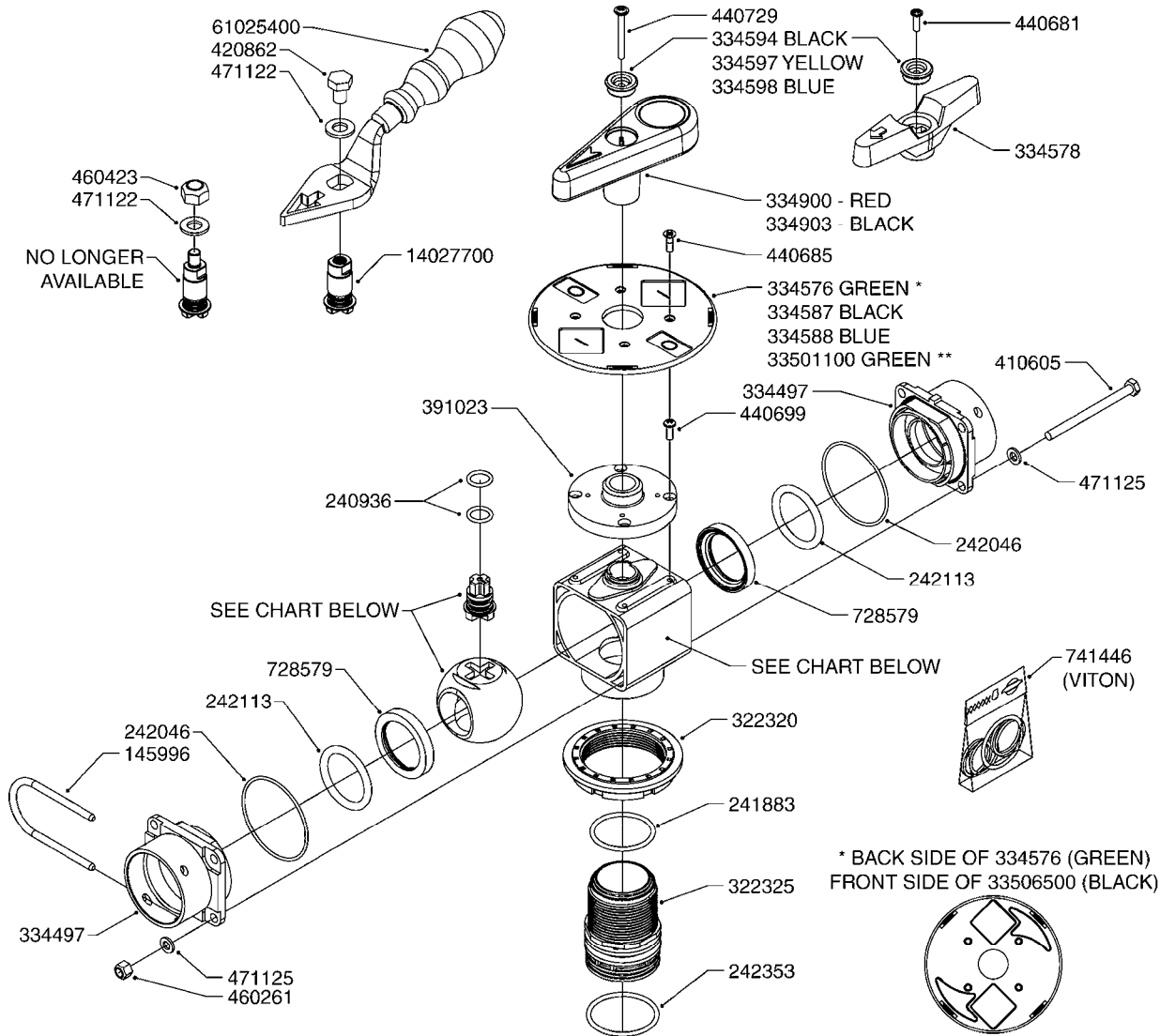


EVC, ECP, ECPC CONTROLS
B252-HIN, 02:11:10

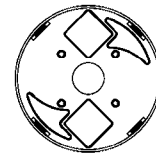
Page 2

Date 29.02.2012 11:02

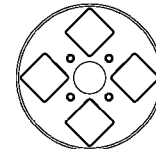
| parts-n° | order qty | description |
|----------|-----------|--------------------------------|
| 33508700 | 1 | BOX 160X80X40 BLACK |
| 33508800 | 1 | BOX LID 160X80X15 BLACK |
| 72048000 | 1 | MOTOR, DISTRIBUTION 1:300 |
| 72117600 | 1 | SPINDLE EVC DIST |
| 72127200 | 1 | CIRCUIT B.ESC3 PLAST.W/SWITCH |
| 72127300 | 1 | CONTROL BOX ESC 3 SEC./20 PIN |
| 72127400 | 1 | CONTROL BOX ESC 4 SEC./20 PIN |
| 72136500 | 1 | UNIV. CONNECTION BOX F. EC |
| 72137200 | 1 | MCROSWCH ASSY F.BOOM VLV 300:1 |



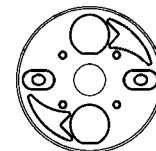
* BACK SIDE OF 334576 (GREEN)
FRONT SIDE OF 33506500 (BLACK)



** BACK SIDE OF 33501100



BACK SIDE OF 33506500 (BLACK)



| | | | | | | |
|----------|--------|----------|--------|--------|--------|----------|
| | | | | | - | |
| 728391 | 334594 | 334576 | 390204 | 390623 | - | 334600 |
| 728393 | 334598 | 334588 | 390238 | 390251 | - | 334600 |
| 728945 | 334597 | - | 390262 | 390777 | - | 334600 |
| 729796 | 334594 | 334587 | 390204 | 390623 | - | 334600 |
| 840062 | 334594 | 334576 | 391180 | 390623 | - | 334600 |
| 841062 | 334594 | 334576 | 390204 | 390623 | - | 334600 |
| 72172100 | - | 33501100 | 391039 | 390623 | 391023 | 14027700 |
| 72172200 | - | - | 391039 | 390623 | - | 334600 |
| 72283600 | 334594 | 33506500 | 391180 | 390623 | 391023 | 334600 |
| 72292500 | - | - | 391180 | 390623 | - | 14027700 |
| 72538000 | - | - | 391039 | 390623 | 391023 | 14075700 |
| 72691600 | 334594 | 334587 | 390262 | 390623 | - | 334600 |

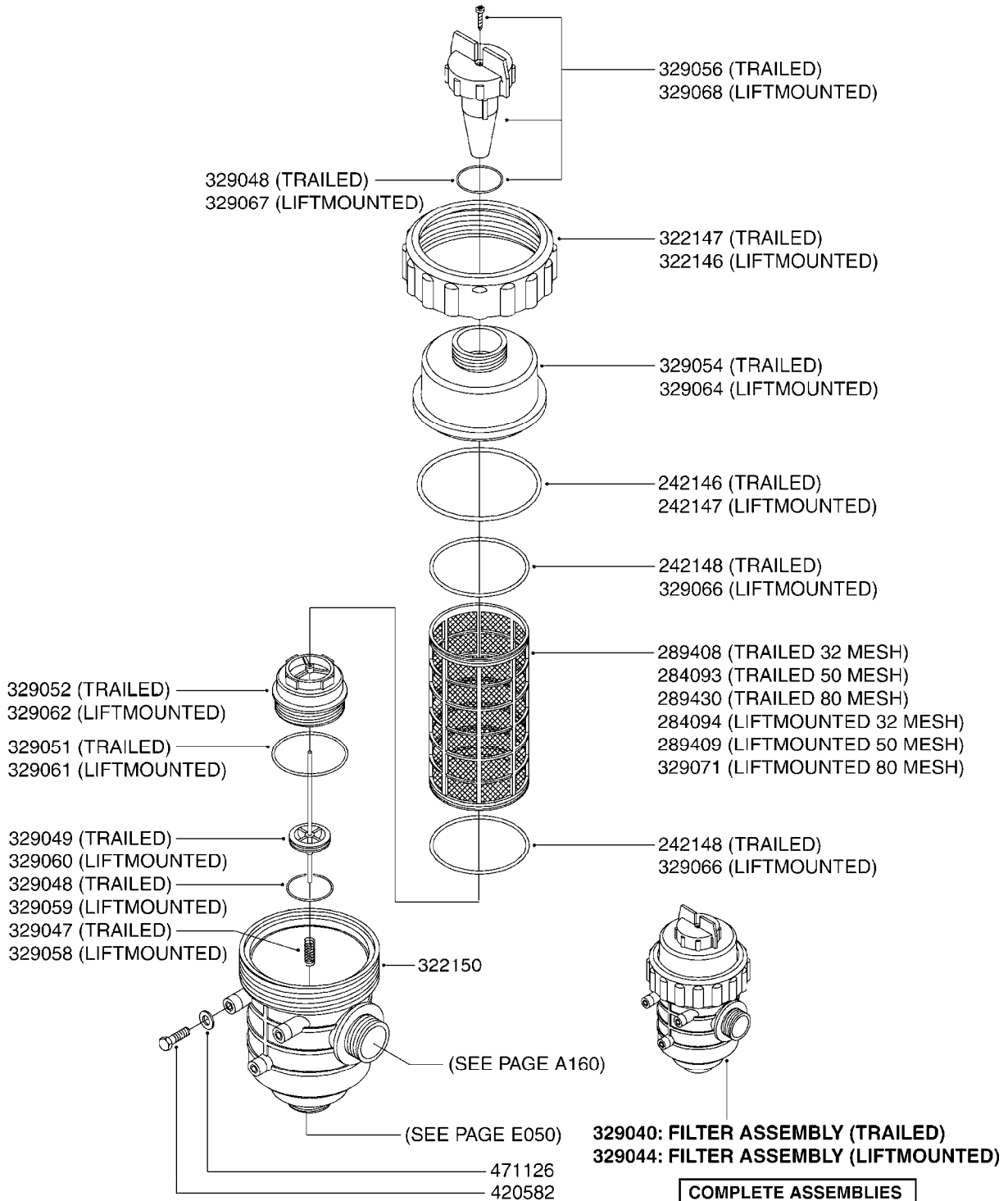
B300



MANIFOLD - S67 VALVE
B300-HIN, 27:04:11

Page 1
Date 29.02.2012 11:02

| parts-n° | order qty | description |
|----------|-----------|--------------------------------|
| 145996 | 1 | FITT.DK S-67 FORK |
| 240936 | 1 | O-RING D13.3X2.4 NITRIL |
| 241883 | 1 | O-RING D39.2X3 NITRIL |
| 242046 | 1 | O-RING D60X2 |
| 242113 | 1 | O-RING D37.5X5.3 VITON |
| 242353 | 1 | O-RING D44.2X3.0 VITON F.S-67 |
| 322320 | 1 | NUT F.3 WAY VALVE S56 |
| 322325 | 1 | FITT.DK S-67 X 1-1/2"BSP LONG |
| 334497 | 1 | END COVER 3 WAY VALVE S-67 |
| 334576 | 1 | FACE PLATE F. BALL VALVE GREEN |
| 334578 | 1 | HANDLE FOR VALVE 'OLD' STYLE |
| 334587 | 1 | FACE PLATE F.BALL VALVE BLACK |
| 334588 | 1 | FACE PLATE F. BALL VALVE BLUE |
| 334594 | 1 | PLUG F.VALVE HANDLE BLACK |
| 334597 | 1 | PLUG F.VALVE HANDLE YELLOW |
| 334598 | 1 | PLUG F.VALVE HANDLE BLUE |
| 334600 | 1 | SPINDLE F.3 WAY VALVE |
| 334900 | 1 | HANDLE F.3 WAY VALVE TALL '00 |
| 334903 | 1 | HANDLE S67/93 VALVE BLACK |
| 390204 | 1 | BALL F. 3 WAY SUCTION VALVE |
| 390238 | 1 | BALL F. 3 WAY PRESSURE VALVE |
| 390251 | 1 | MOTOR HOUSING F. 3-WAY VALVE |
| 390262 | 1 | BALL F. 2 WAY VALVE |
| 390623 | 1 | HOUSING F.3 WAY VALVE |
| 390777 | 1 | HOUSING F.BALL VALVE 3 WAY |
| 391023 | 1 | SMART VALVE MOUNTING BRACKET |
| 391039 | 1 | BALL F. S67 SMART VALVE |
| 391180 | 1 | BALL F. AGITATOR S67 ARE 268 |
| 410605 | 1 | BOLT HEX 8.8 DEL M6X80 |
| 420862 | 1 | BOLT HEX 8.8 DEL M10X16 FT |
| 440681 | 1 | SCREW F. PLASTIC 4X40 SS |
| 440685 | 1 | SCREW F.PLASTIC 4X14 SS C-SUNK |
| 440699 | 1 | SCREW F. PLASTIC 4X12 SS |
| 440729 | 1 | SCREW F. PLASTIC 40X40 SS |
| 460261 | 1 | NUT HEX M6X1 LOCK |
| 460423 | 1 | NUT HEX M10X1.5 LOCK |
| 471122 | 1 | WASHER D20/D10.5X2 SS |
| 471125 | 1 | WASHER D12/D6.4x1.6 SS |
| 728391 | 1 | VALVE S67 PRESSURE MANIFOLD |
| 728393 | 1 | VALVE 3 WAY F.AGITAT.SHUTOFF |
| 728579 | 1 | SEAL F BALL |
| 728945 | 1 | VALVE 3-WAY YELLOW W.S-67 ENDS |
| 729796 | 1 | VALVE S-67 MANUAL D33 J-D |
| 741446 | 1 | REPAIR KIT F.S67 VALVE - VITON |
| 840062 | 1 | VALVE S67 PRESSURE AGITATION |
| 841062 | 1 | VALVE S67 PRESSURE MANIFOLD |
| 14027700 | 1 | SPINDLE F.SMART VALVE S-67 |
| 14075700 | 1 | SPINDLE F.SMART VALVE S67 L=81 |
| 33501100 | 1 | FACE PLATE F.SMART VALVE GREEN |
| 33506500 | 1 | FACE PLATE F.BALL VALVE BLACK |
| 61025400 | 1 | HANDLE SMART VALVE |
| 72172100 | 1 | VALVE S67 "V1" SMART VALVE |
| 72172200 | 1 | VALVE S67 "V2" SMART VALVE |
| 72283600 | 1 | VALVE S67 AGITATION NCM |
| 72292500 | 1 | VALVE S67 SMART VALVE NEW NAV |
| 72538000 | 1 | VALVE S67, LONG SPINDLE |
| 72691600 | 1 | VALVE, S67, 2-WAY F. FILLER |



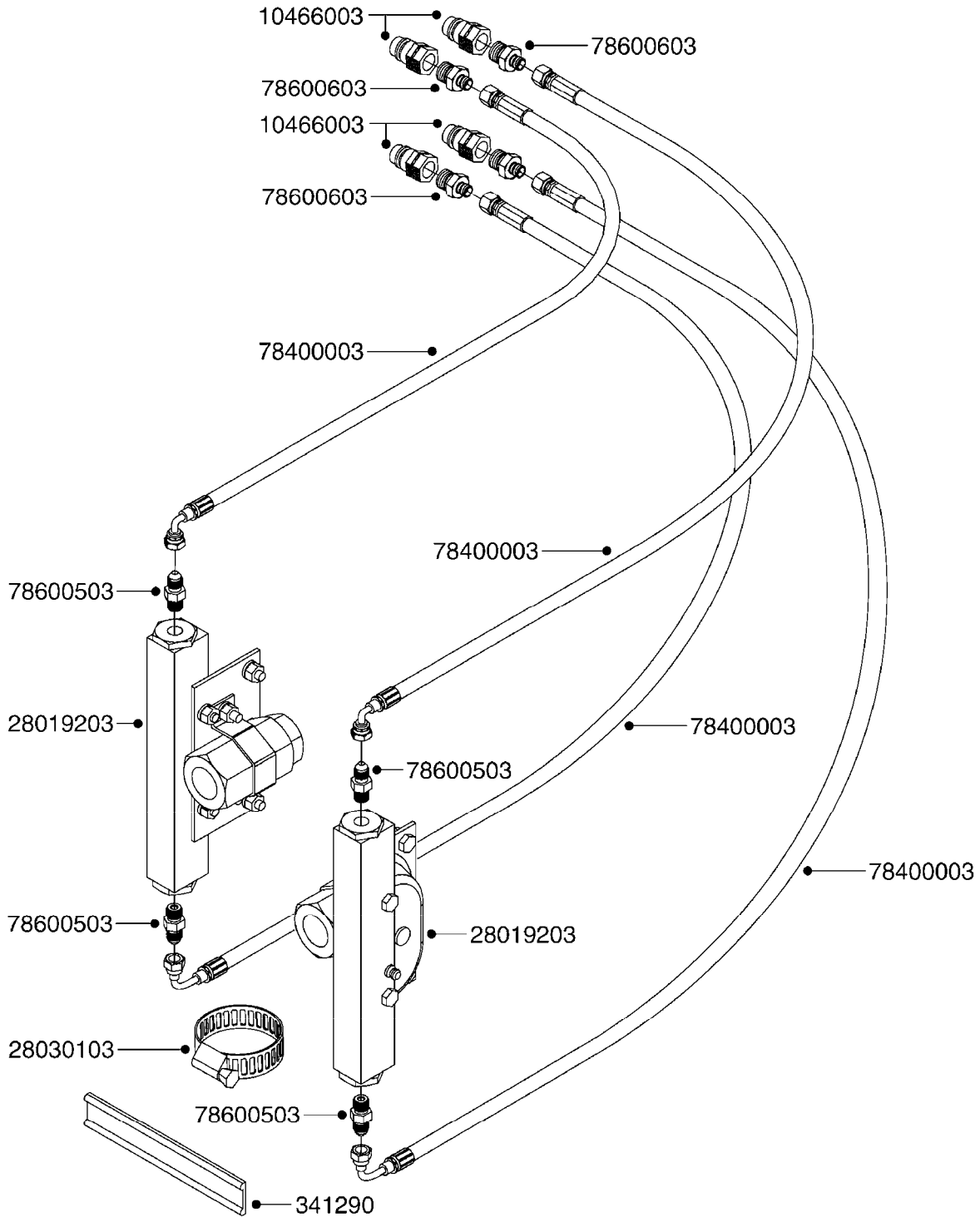
B430



SUCTION FILT.-VINEYARD&ORCHARD
B430-HIN, 12:12:05

Page 1
Date 29.02.2012 11:02

| parts-n° | order qty | description |
|----------|-----------|---------------------------------|
| 242146 | 1 | O-RING 140 X 126 X 7 |
| 242147 | 1 | O-RING 105,6x95X5.3 |
| 242148 | 1 | O-RING 109.2 X 104 X 2 |
| 284093 | 1 | FILTER SCREEN F.ARAG 50 MESH |
| 284094 | 1 | FILTER SCREEN F. ARAG 32 MESH |
| 289408 | 1 | FILTER SCR N ARAG 32 MESH WHITE |
| 289409 | 1 | FILTER SCR N ARAG 50 MESH BLUE |
| 289430 | 1 | FILTER SCR N ARAG 80 MESH RED |
| 322146 | 1 | THREADED RING F/FILTER 170 |
| 322147 | 1 | THREADED RING F/FILTER 200 |
| 322150 | 1 | FILTER CASING 1.5"BSP ARAG |
| 329040 | 1 | FILTER ARAG 1.5" 32 MESH TRAIL |
| 329044 | 1 | SUCTION FILTER ASSY. ARAG 1" |
| 329047 | 1 | SPRING F. ARAG FILTER 1-1/2" |
| 329048 | 1 | O-RING F. 1-1/2" FILTER |
| 329049 | 1 | PLUNGER F. ARAG VALVE 1-1/2" |
| 329051 | 1 | O-RING F.ARAG FILTER 1-1/2" |
| 329052 | 1 | FITTING F.ARAG FILTER 1-1/2" |
| 329054 | 1 | FILTER HOUSING LID 1-1/2" |
| 329056 | 1 | YELLOW LOCKING RETAINER 1-1/2" |
| 329058 | 1 | SPRING F. ARAG FILTER 1" |
| 329059 | 1 | O-RING F. 1" FILTER |
| 329060 | 1 | PLUNGER F. ARAG VALVE 1" |
| 329061 | 1 | O-RING F.ARAG FILTER 1" |
| 329062 | 1 | FITTING F.ARAG FILTER 1" |
| 329064 | 1 | FILTER HOUSING LID 1" |
| 329066 | 1 | O-RING F.ARAG FILTER 1" |
| 329067 | 1 | O-RING F. 1" FILTER |
| 329068 | 1 | YELLOW LOCKING RETAINER 1" |
| 329071 | 1 | FILTER SCR N ARAG 80 MESH RED |
| 420582 | 1 | BOLT HEX 8.8 DEL M8X20 FT |
| 471126 | 1 | WASHER D16/D8.4X1.6 SS |



C470

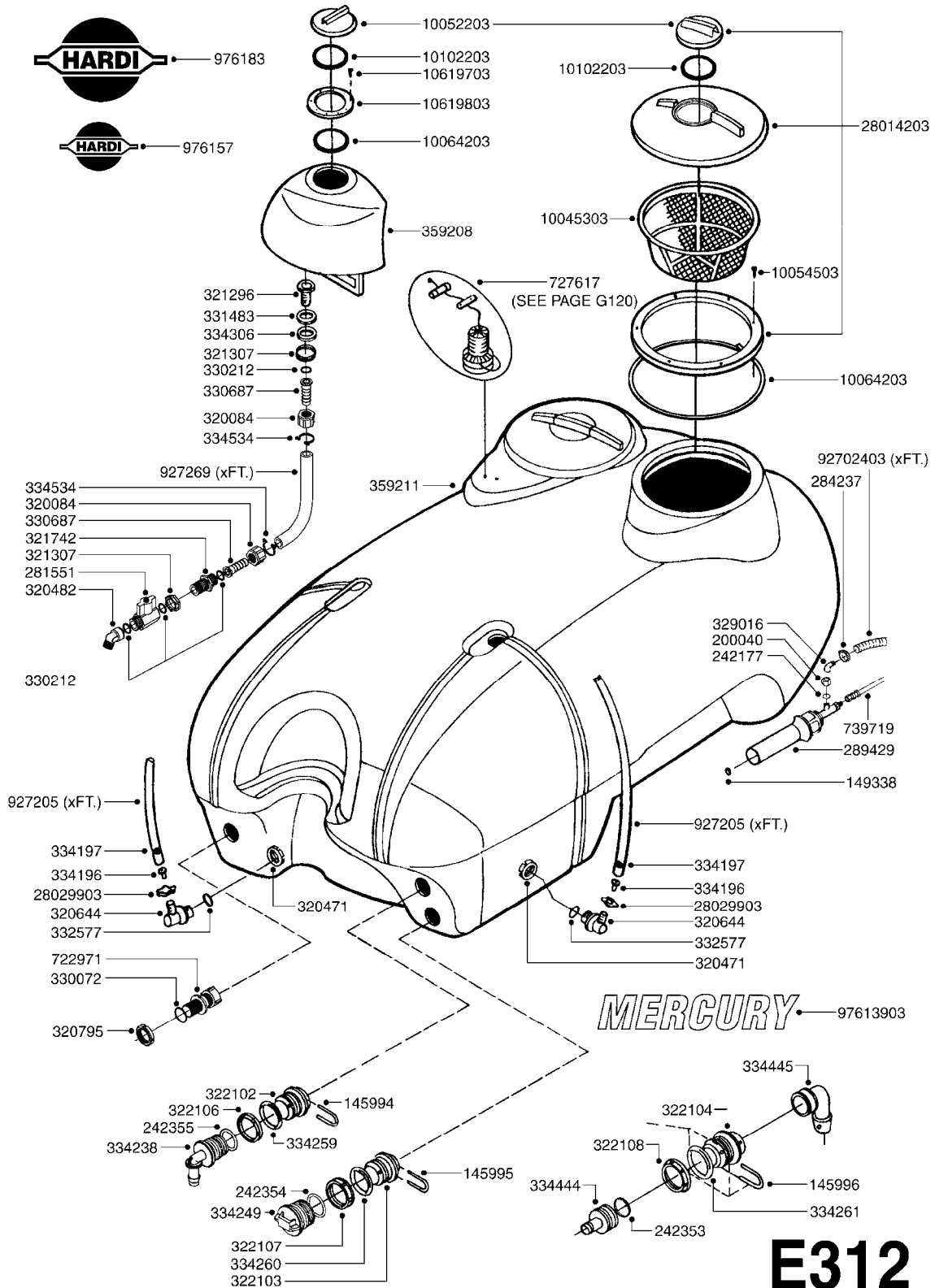


HYD - REMOTE SECTION VALVES
C470-HIN, 15:06:07

Page 1

Date 29.02.2012 11:02

| parts-n° | order qty | description |
|----------|-----------|--------------------------------|
| 341290 | 1 | RUBBER STRAP, L=110 |
| 10466003 | 1 | COUPLER PIONEER 8010-04 1/2NPT |
| 28019203 | 1 | VALVE HYD SHUTOFF 3/4"NPT |
| 28030103 | 1 | CLAMP HOSE GEAR P5/4-S1.5"6724 |
| 78400003 | 1 | HOSE 1/4X 8' 90F JIC-STRF JIC |
| 78600503 | 1 | FITTING 1/8NPT X 7/16JIC M X M |
| 78600603 | 1 | FITTING 1/2NPT X 7/16JIC M X M |



E312



TANK - MERCURY 600
E312-HIN, 21:09:11

Page 1
Date 29.02.2012 11:02

| parts-n° | order qty | description |
|----------|-----------|--------------------------------|
| 145994 | 1 | FITT.DK S-40 FORK |
| 145995 | 1 | FITT.DK S-53 FORK |
| 145996 | 1 | FITT.DK S-67 FORK |
| 149338 | 1 | INTERMIX JET 5MM |
| 200040 | 1 | FITT. ARAG 1" |
| 242177 | 1 | O-RING D25.4 X 20.2 X 2.6 |
| 242353 | 1 | O-RING D44.2X3.0 VITON F.S-67 |
| 242354 | 1 | O-RING D32.2X3.0 VITON F.S-53 |
| 242355 | 1 | O-RING D19.2X3.0 VITON F.S-40 |
| 281551 | 1 | BALL VALVE 1/2" |
| 284237 | 1 | CLAMP HOSE GEAR D20/30 |
| 289429 | 1 | AGITATION INJECTOR DUAL INPUT |
| 320084 | 1 | FITT.DK NUT 1/2" BSP |
| 320471 | 1 | FITT.DK NUT 1" BSP JAMB |
| 320482 | 1 | FITT.DK ELB. 1/2" BSP 60 DEG. |
| 320644 | 1 | FITT.DK ELB.3/4"HB X 1" BSP |
| 320795 | 1 | FITT.DK NUT 1-1/2" BSP JAMB |
| 321296 | 1 | FITT.DK BULKHEAD 1/2" BSP SING |
| 321307 | 1 | FITT.DK NUT 1/2" BSP JAMB |
| 321742 | 1 | FITT.DK BULKHEAD 1/2' BSP |
| 322102 | 1 | FITT.DK S-40 BULKHEAD |
| 322103 | 1 | FITT.DK S-53 BULKHEAD |
| 322104 | 1 | FITT.DK S-67 BULKHEAD |
| 322106 | 1 | FITT.DK S-40 BULKHEAD NUT |
| 322107 | 1 | FITT.DK S-53 BULKHEAD NUT |
| 322108 | 1 | FITT.DK S-67 BULKHEAD NUT |
| 329016 | 1 | MOUNT BRACKET ILEMO |
| 330072 | 1 | O-RING D53,5/D45,5X4 |
| 330212 | 1 | O-RING D19/D14X2.4 F.1/2"NUT |
| 330687 | 1 | FITT.DK HB 1/2" F. 1/2" NUT |
| 331483 | 1 | WASHER RY-2 |
| 332577 | 1 | O-RING D38/D30X4 F.1" PUR. |
| 334196 | 1 | PLUG F. LIQUID LEV. INDICATOR |
| 334197 | 1 | BALL F. LIQUID LEV. INDICATOR |
| 334238 | 1 | FITT.DK S-40 ELB.1/2' |
| 334249 | 1 | FITT.DK S-53 PLUG |
| 334259 | 1 | GASKET F. S-40 BULKHEAD |
| 334260 | 1 | GASKET F. S-53 BULKHEAD |
| 334261 | 1 | GASKET F. S-67 BULKHEAD |
| 334306 | 1 | WASHER D22 PA |
| 334444 | 1 | FITT.DK S-67 STR.1-1/2" PVC |
| 334445 | 1 | FITT.DK S-67 ELB.1-1/2" |
| 334534 | 1 | CLAMP HOSE PLASTIC 1/2" |
| 359208 | 1 | CLEAN WATER TANK - MERCURY |
| 359211 | 1 | TANK RAW 600 GAL. MERCURY |
| 722971 | 1 | SAFETY VALVE SCF 217PSI(15BAR) |
| 727617 | 1 | FITT.DK S-93 BOTTOM VALVE 2' |
| 739719 | 1 | HOSE ASSEMBLY D12 X 3300 |
| 927205 | 1 | HOSE R X CLEAR X 3/4 X 0012" |
| 927269 | 1 | HOSE R X PVC X 1/2 X 0012" |
| 976157 | 1 | DECAL COMPANY (4.4" X 4.6") |
| 976183 | 1 | DECAL COMPANY 185 X 300 |
| 10045303 | 1 | FILTER BASKET 16" |
| 10052203 | 1 | LID VENT ASSY |
| 10054503 | 1 | SCREW 3/4" SELF TAPPING |
| 10064203 | 1 | SET SEALING SPONGE RUBBER |
| 10102203 | 1 | GASKET F.16" LID BREATHER |
| 10619703 | 1 | SCREW SS #6x3/4' SELF TAPPING |
| 10619803 | 1 | LID HOUSING TREADED F. 6' |
| 28014203 | 1 | LID ASSY. SCREW ON 16" ARAG |
| 28029903 | 1 | CLAMP HOSE GEAR P3/4"-S1" 6712 |

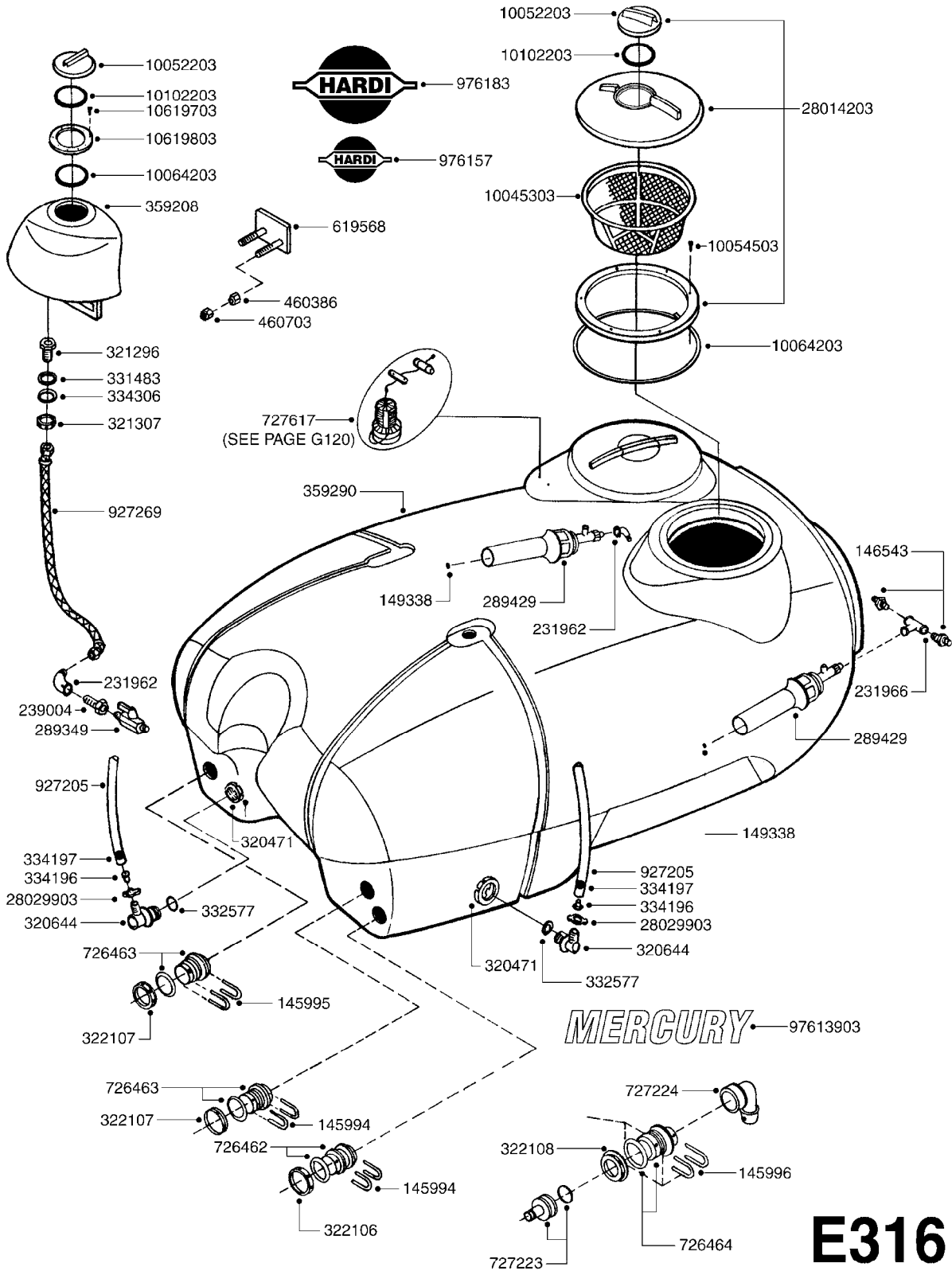


TANK - MERCURY 600
E312-HIN, 21:09:11

Page 2

Date 29.02.2012 11:02

| parts-n° | order qty | description |
|----------------------|-----------|---|
| 92702403 97613903 | 1 1 | HOSE PVC SUCT GRAY 1" DECAL MERCURY 2011 |

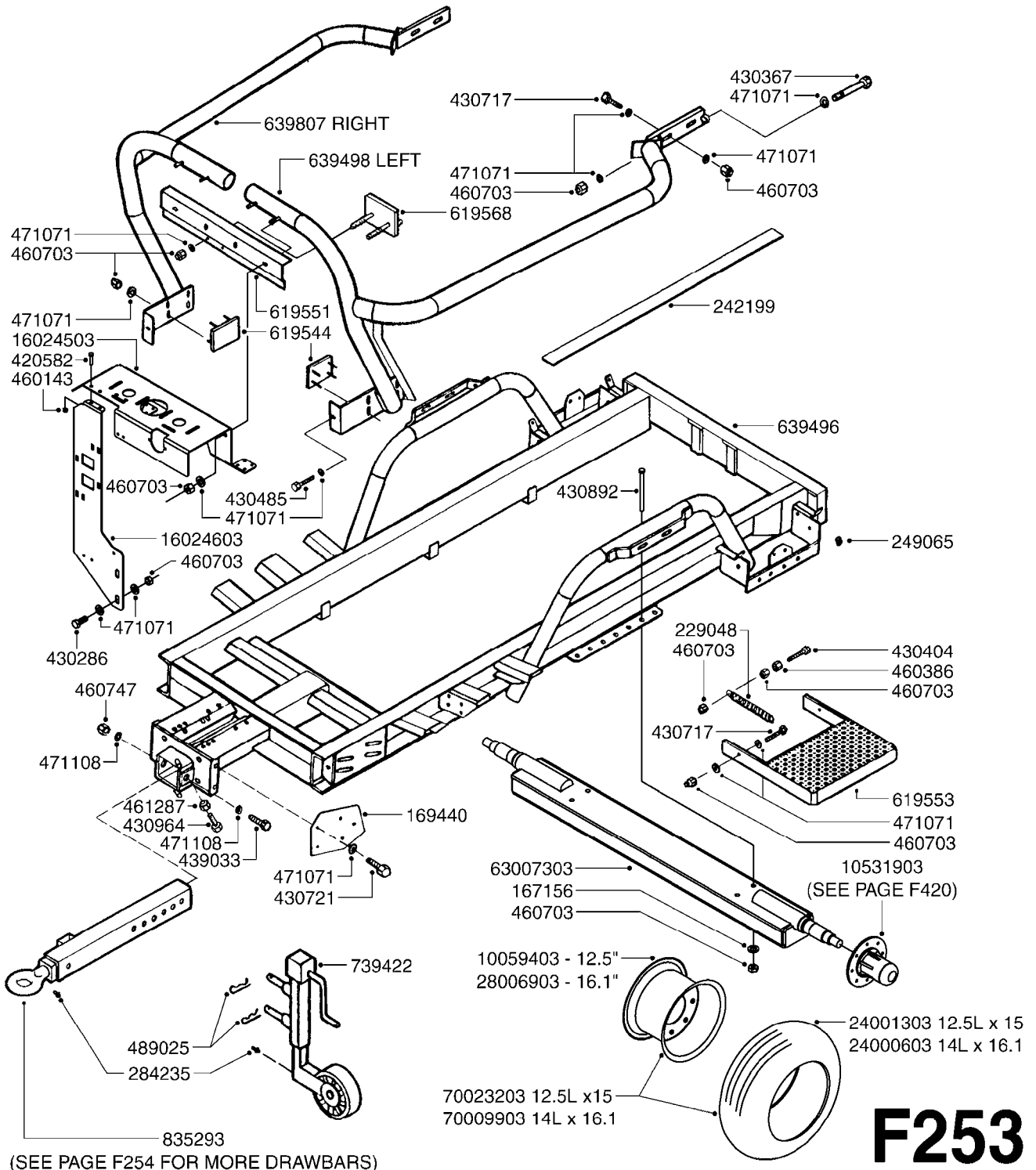




TANK - MERCURY 925
E316-HIN, 21:09:11

Page 1
Date 29.02.2012 11:02

| parts-n° | order qty | description |
|----------|-----------|--------------------------------|
| 145994 | 1 | FITT.DK S-40 FORK |
| 145995 | 1 | FITT.DK S-53 FORK |
| 145996 | 1 | FITT.DK S-67 FORK |
| 146543 | 1 | HEXAGON NIPPLE 1/2" |
| 149338 | 1 | INTERMIX JET 5MM |
| 231962 | 1 | ELBOW BRASS 1/2" |
| 231966 | 1 | TEE 1/2' |
| 239004 | 1 | BUSHING 1/2"-3/8" BRASS |
| 289349 | 1 | BALL VALVE 3/8" M-H |
| 289429 | 1 | AGITATION INJECTOR DUAL INPUT |
| 320471 | 1 | FITT.DK NUT 1" BSP JAMB |
| 320644 | 1 | FITT.DK ELB.3/4"HB X 1" BSP |
| 321296 | 1 | FITT.DK BULKHEAD 1/2" BSP SING |
| 321307 | 1 | FITT.DK NUT 1/2" BSP JAMB |
| 322106 | 1 | FITT.DK S-40 BULKHEAD NUT |
| 322107 | 1 | FITT.DK S-53 BULKHEAD NUT |
| 322108 | 1 | FITT.DK S-67 BULKHEAD NUT |
| 331483 | 1 | WASHER RY-2 |
| 332577 | 1 | O-RING D38/D30X4 F.1" PUR. |
| 334196 | 1 | PLUG F. LIQUID LEV. INDICATOR |
| 334197 | 1 | BALL F. LIQUID LEV. INDICATOR |
| 334306 | 1 | WASHER D22 PA |
| 359208 | 1 | CLEAN WATER TANK - MERCURY |
| 359290 | 1 | TANK, DRILLED 925 GAL. MERCURY |
| 460386 | 1 | NUT HEX M12X1.75 |
| 460703 | 1 | NUT HEX M12X1.75 LOCK |
| 619568 | 1 | TANK SUPPORT BRACKET |
| 726462 | 1 | FITT. S40 BULHEAD W. GASKET |
| 726463 | 1 | FITT.DK S53 BULKHEAD W/GASKET |
| 726464 | 1 | FITT.DK S-67 BULKHEAD W/GASKET |
| 727223 | 1 | FITT.S67 1.5" STRAIT S W/ORING |
| 727224 | 1 | FITT.DK S-67 ELB.1-1/2" |
| 727617 | 1 | FITT.DK S-93 BOTTOM VALVE 2' |
| 927205 | 1 | HOSE R X CLEAR X 3/4 X 0012" |
| 927269 | 1 | HOSE R X PVC X 1/2 X 0012" |
| 976157 | 1 | DECAL COMPANY (4.4" X 4.6") |
| 976183 | 1 | DECAL COMPANY 185 X 300 |
| 10045303 | 1 | FILTER BASKET 16" |
| 10052203 | 1 | LID VENT ASSY |
| 10054503 | 1 | SCREW 3/4" SELF TAPPING |
| 10064203 | 1 | SET SEALING SPONGE RUBBER |
| 10102203 | 1 | GASKET F.16" LID BREATHER |
| 10619703 | 1 | SCREW SS #6x3/4' SELF TAPPING |
| 10619803 | 1 | LID HOUSING TREADED F. 6' |
| 28014203 | 1 | LID ASSY. SCREW ON 16" ARAG |
| 28029903 | 1 | CLAMP HOSE GEAR P3/4"-S1" 6712 |
| 97613903 | 1 | DECAL MERCURY 2011 |



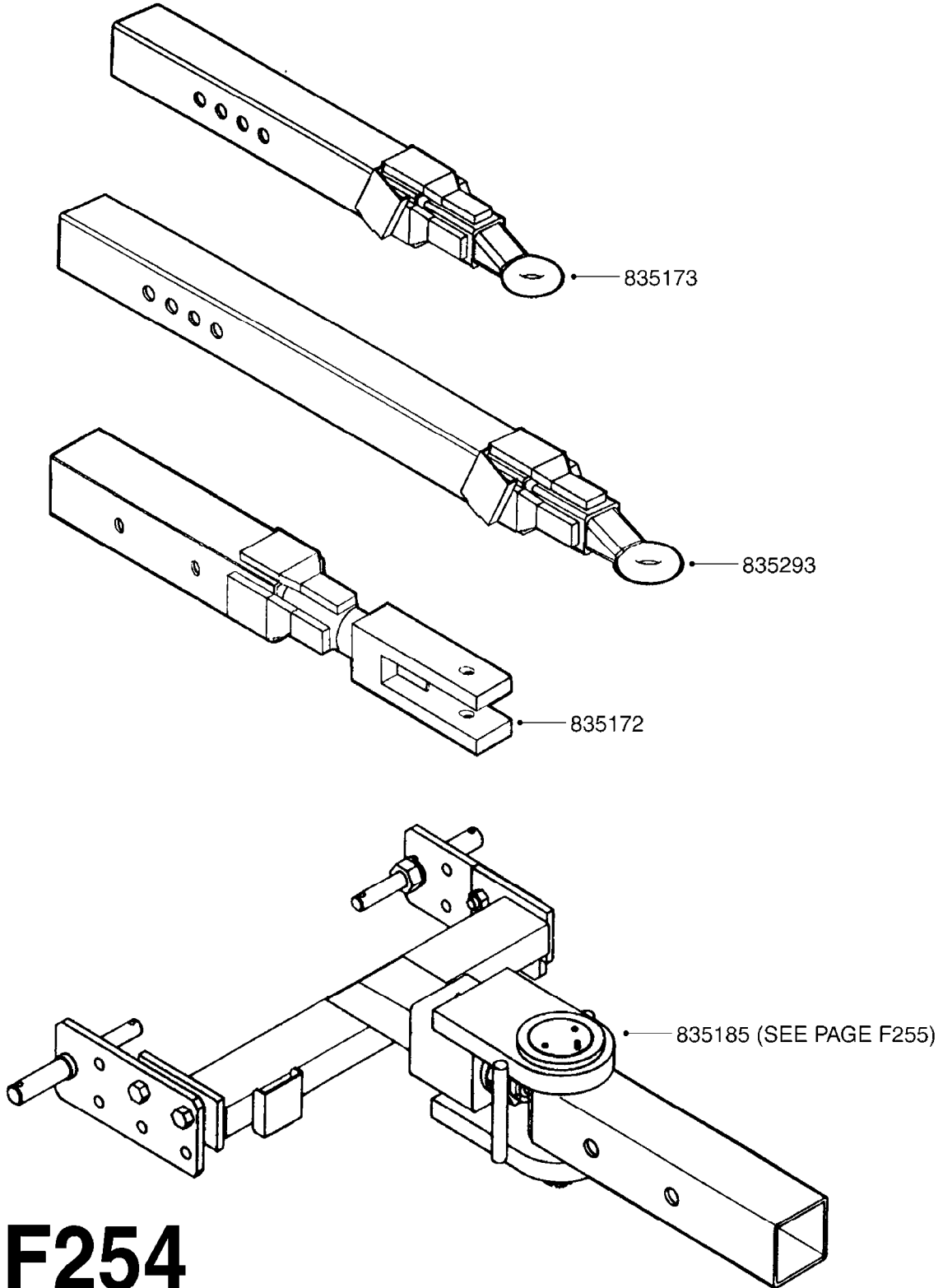
F253



FRAME - MERCURY 600
F253-HIN, 02:11:10

Page 1
Date 29.02.2012 11:02

| parts-n° | order qty | description |
|----------|-----------|--------------------------------|
| 167156 | 1 | WASHER D46.5/D12.4X2.5 |
| 169440 | 1 | BRACKET F.SUCTION FILTER |
| 229048 | 1 | SPRING F.FOOT STEP |
| 242199 | 1 | TANK FRAME PACKING 1300X45X3 |
| 249065 | 1 | TOP FOR FOOT STEP |
| 284235 | 1 | GREASE NIPPLE M 6/100 |
| 420582 | 1 | BOLT HEX 8.8 DEL M8X20 FT |
| 430286 | 1 | BOLT HEX 8.8 DEL M12X30 FT |
| 430367 | 1 | BOLT HEX 8.8 DEL M12X100 |
| 430404 | 1 | BOLT HEX 8.8 DEL M12X50 |
| 430485 | 1 | BOLT HEX 8.8 DEL M12X90 |
| 430717 | 1 | BOLT HEX 8.8 RAW M12x40 |
| 430721 | 1 | BOLT HEX 8.8 DEL M12X40 FT |
| 430892 | 1 | BOLT HEX 8.8 DEL M12X110 |
| 430964 | 1 | BOLT HEX M18X50 |
| 439033 | 1 | BOLT HEX M24X170 GALV. |
| 460143 | 1 | NUT HEX M8 LOCK |
| 460386 | 1 | NUT HEX M12X1.75 |
| 460703 | 1 | NUT HEX M12X1.75 LOCK |
| 460747 | 1 | NUT HEX M24 LOCK |
| 461287 | 1 | NUT HEX M18 |
| 471071 | 1 | WASHER M12 GALV |
| 471108 | 1 | WASHER D44D25X4.5 |
| 489025 | 1 | "R" PIN D.4 |
| 619544 | 1 | FRONT PLATE - MERCURY FRAME |
| 619551 | 1 | FRONT BRACKET F.RAILING MR600 |
| 619553 | 1 | FOOT STEP MERCURY |
| 619568 | 1 | TANK SUPPORT BRACKET |
| 639496 | 1 | FRAME - MERCURY 600 |
| 639498 | 1 | RAILING - MERCURY 600 LEFT |
| 639807 | 1 | RAILING - MERCURY 600 RIGHT |
| 739422 | 1 | CPL. JACK STAND FOR TANGO |
| 835293 | 1 | DRAWBAR RING HITCH |
| 10059403 | 1 | RIM 15X10 X 8-8-6 +1.062OFFSET |
| 10531903 | 1 | HUB ASSY.COMP.F.2-1/8" SPINDLE |
| 16024503 | 1 | SUPPORT MANIFOLD MERCURY |
| 16024603 | 1 | SUPPORT HYD VALVE MISTBLOWER |
| 24000603 | 1 | TIRE 14L X 16.1 8 PLY |
| 24001303 | 1 | TIRE 12.5L-15SL 12 PLY |
| 28006903 | 1 | WHEEL RIM 16.1" X 11" 8-8-6" |
| 63007303 | 1 | AXLE WELDMENT FIXD MERCURY 600 |
| 70009903 | 1 | WHEEL ASSY. 14L x 16.1 8PLY |
| 70023203 | 1 | TIRE ASSY 12.5L-15 12PLY8-8-6 |



F254

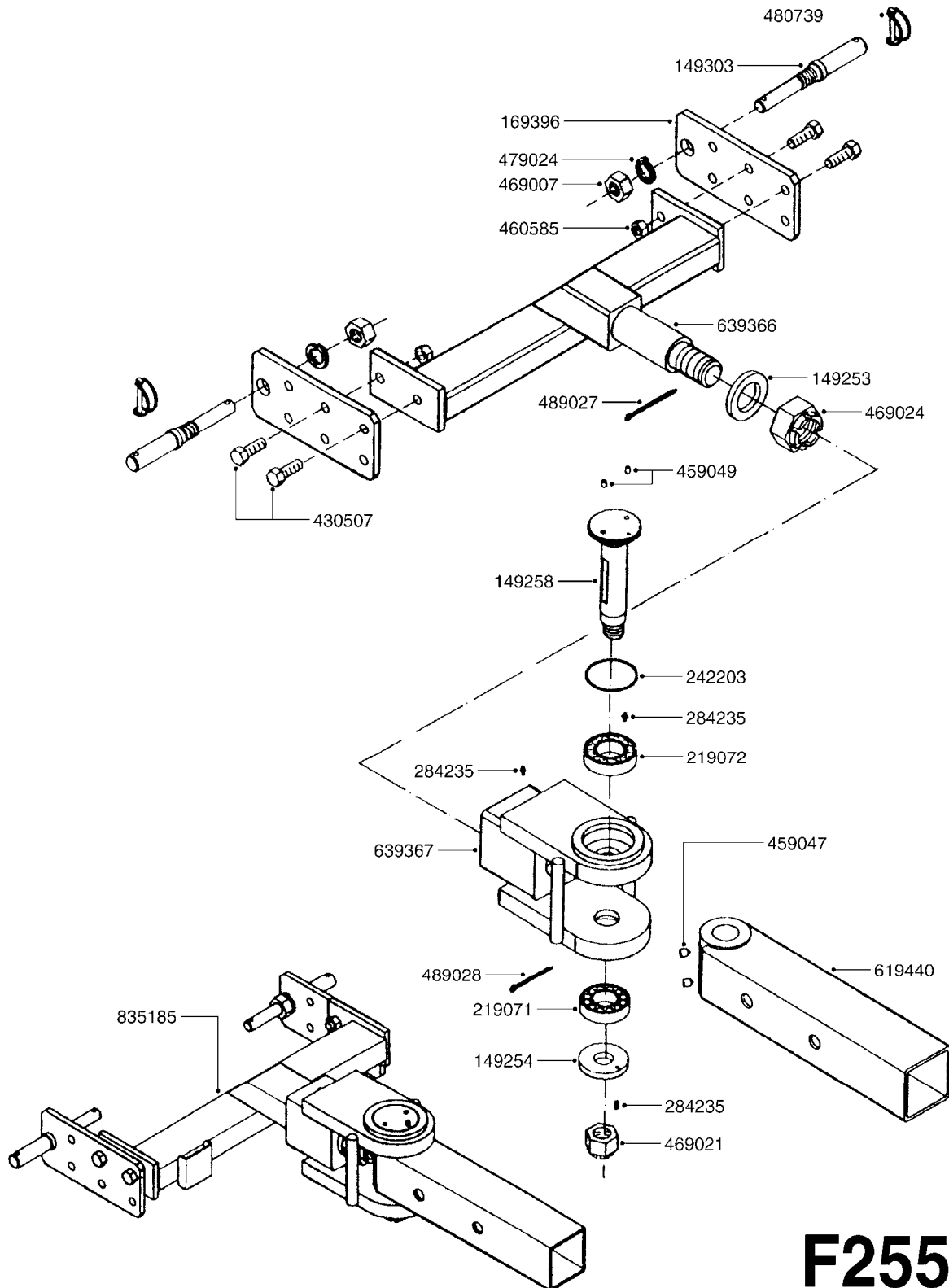


DRAWBARS - MERCURY/ARROW
F254-HIN, 12:12:05

Page 1

Date 29.02.2012 11:02

| parts-n° | order qty | description |
|----------|-----------|-----------------------------|
| 835172 | 1 | DRAWBAR STD. F.TG BV CR |
| 835173 | 1 | DRAWBAR RING HITCH ARROW |
| 835185 | 1 | DRAWBAR TURNABLE F.TG BV CR |
| 835293 | 1 | DRAWBAR RING HITCH |

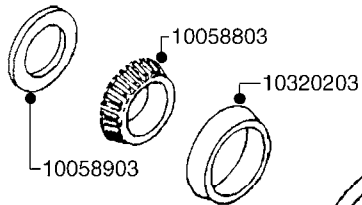
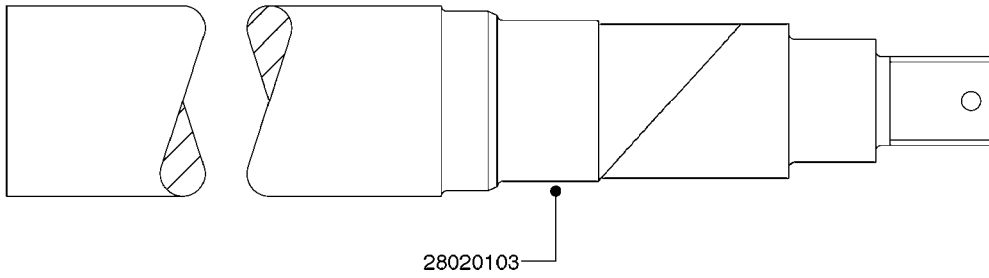




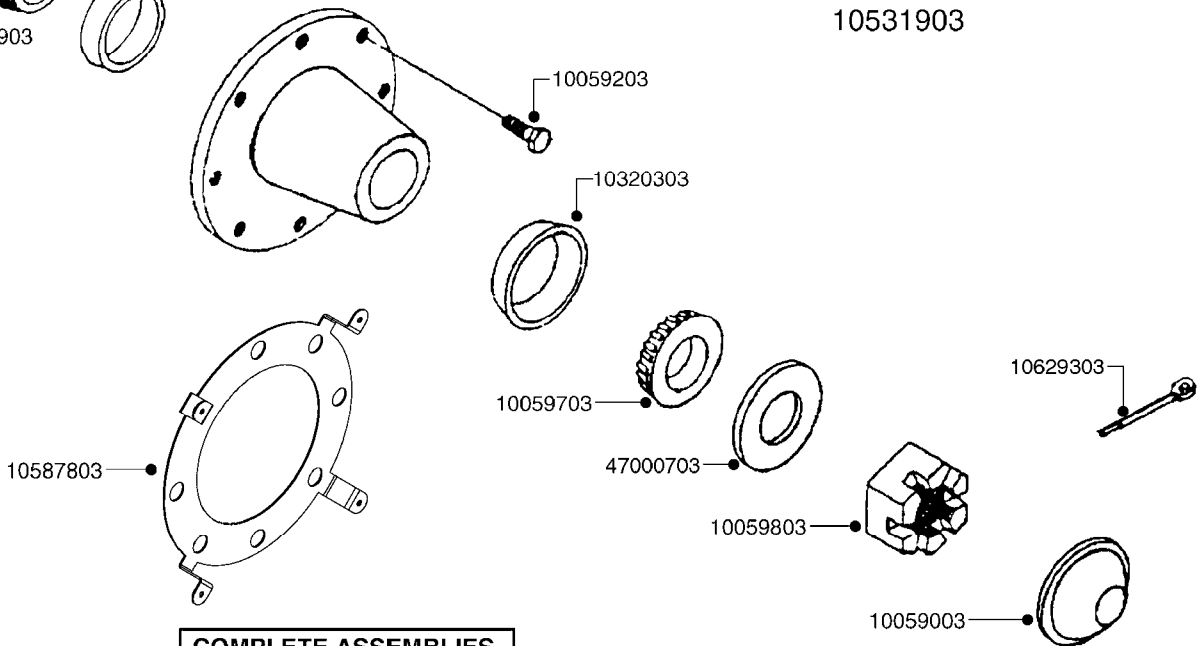
DRAWBAR - TURNABLE HITCH
F255-HIN, 01:01:01

Page 1
Date 29.02.2012 11:02

| parts-n° | order qty | description |
|----------|-----------|--------------------------------|
| 149253 | 1 | WASHER D.80X50X10 TURN.HITCH |
| 149254 | 1 | WASHER D.80X32X10 TURN.HITCH |
| 149258 | 1 | PIN F.TURNABLE HITCH |
| 149303 | 1 | DRAW BOLTS |
| 169396 | 1 | PLATE F. TURNABLE DRAWBAR |
| 219071 | 1 | BEARING 30208A TURN.HITCH |
| 219072 | 1 | BEARING |
| 242203 | 1 | O-RING 79.5X72.5 |
| 284235 | 1 | GREASE NIPPLE M 6/100 |
| 430507 | 1 | BOLT HEX 8.8 DEL M16X45 FT |
| 459047 | 1 | SET SCREW ALLEN M12X25 DIN 914 |
| 459049 | 1 | SET SCREW ALLEN M8X10 DIN 913 |
| 460585 | 1 | NUT HEX M16X2 LOCK |
| 469007 | 1 | NUT 1" SAE |
| 469021 | 1 | CASTLE NUT 1-1/4" |
| 469024 | 1 | CASTLE NUT 1-3/4" TURN.HITCH |
| 479024 | 1 | WASHER LOCK D.26 DIN 127 |
| 480739 | 1 | PIN SNAP D8 F.ROUND |
| 489027 | 1 | ROLL PIN 6 x 100 |
| 489028 | 1 | COTTER PIN 6 X 8 |
| 619440 | 1 | HEADTUBE FOR TURN.DRAWBAR |
| 639366 | 1 | CENTER BEAM TURN.HITCH |
| 639367 | 1 | CENTER PIVOT - TURN.HITCH |
| 835185 | 1 | DRAWBAR TURNABLE F.TG BV CR |



COMPLETE HUB W/BEARINGS:
10531903



**COMPLETE ASSEMBLIES
WHOLEGOODS ITEMS**

F420

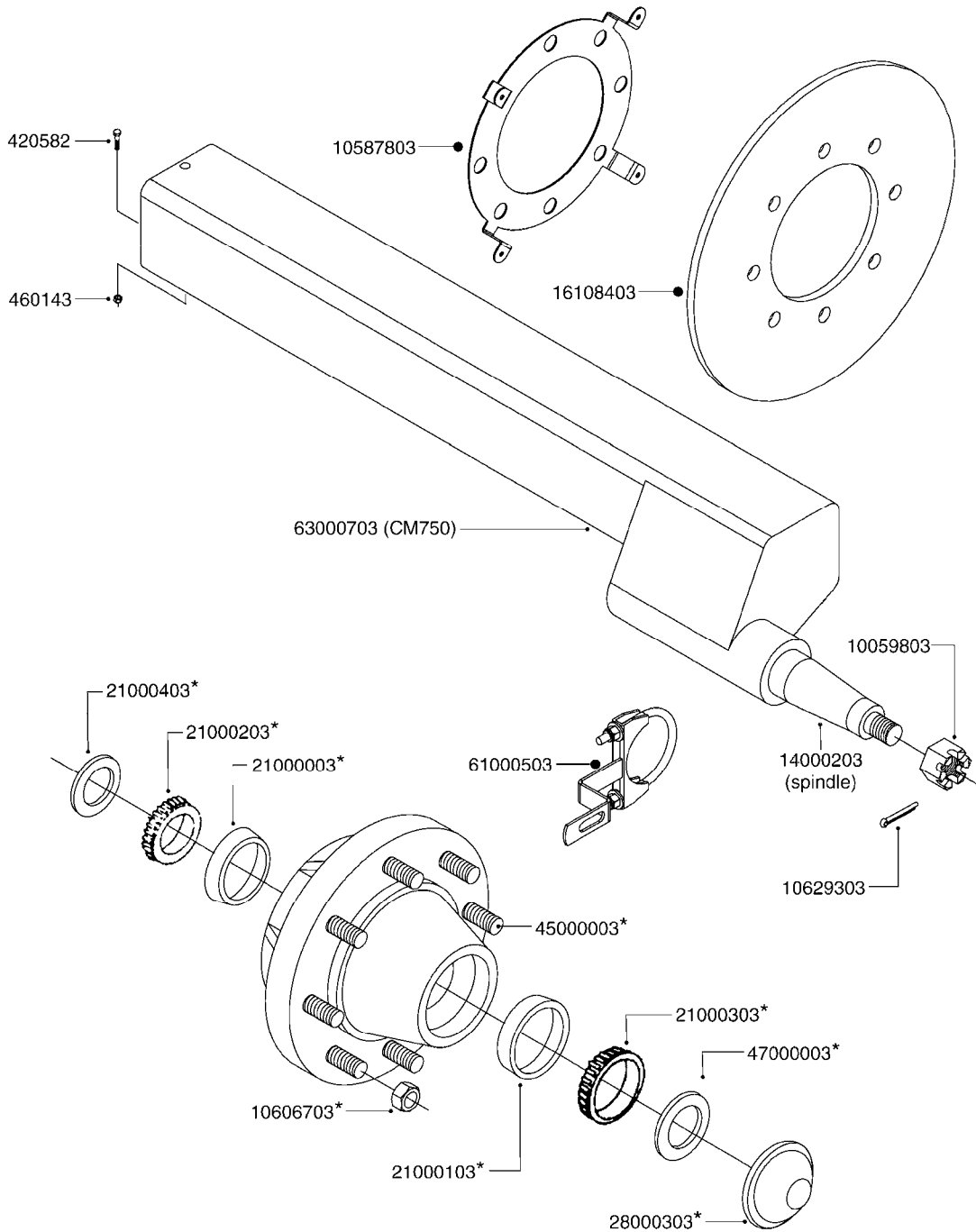


HUB ASSEMBLY F.2 1/8" SPINDLE
F420-HIN, 28:11:06

Page 1

Date 29.02.2012 11:02

| parts-n° | order qty | description |
|----------|-----------|--------------------------------|
| 10058803 | 1 | BEARING INNER CONE A25590 |
| 10058903 | 1 | SEAL HUB A5E41 |
| 10059003 | 1 | DUST CAP 800/1000 GAL A5C17 |
| 10059203 | 1 | BOLT WHEEL 9/16"x1-1/4"UNF 90D |
| 10059703 | 1 | BEARING OUTER CONE A25877 |
| 10059803 | 1 | NUT HEX NF 1" |
| 10320203 | 1 | BEARING INNER CUP1000GAL.TR/TA |
| 10320303 | 1 | BEARING OUTER CUP1000GAL.TR/TA |
| 10531903 | 1 | HUB ASSY.COMP.F.2-1/8" SPINDLE |
| 10587803 | 1 | MAG MNT F. SPEED SNS 8 BOLT |
| 10629303 | 1 | PIN, COTTER 7/32" X 1.75" LONG |
| 28020103 | 1 | SPINDLE 2.125 CRS 14" 811 |
| 47000703 | 1 | WASHER, SPNDL 1.1" 1.06x2 .19T |



*28050103 - COMPLETE HUB ASSEMBLY

COMPLETE ASSEMBLIES
WHOLEGOODS ITEMS

F440

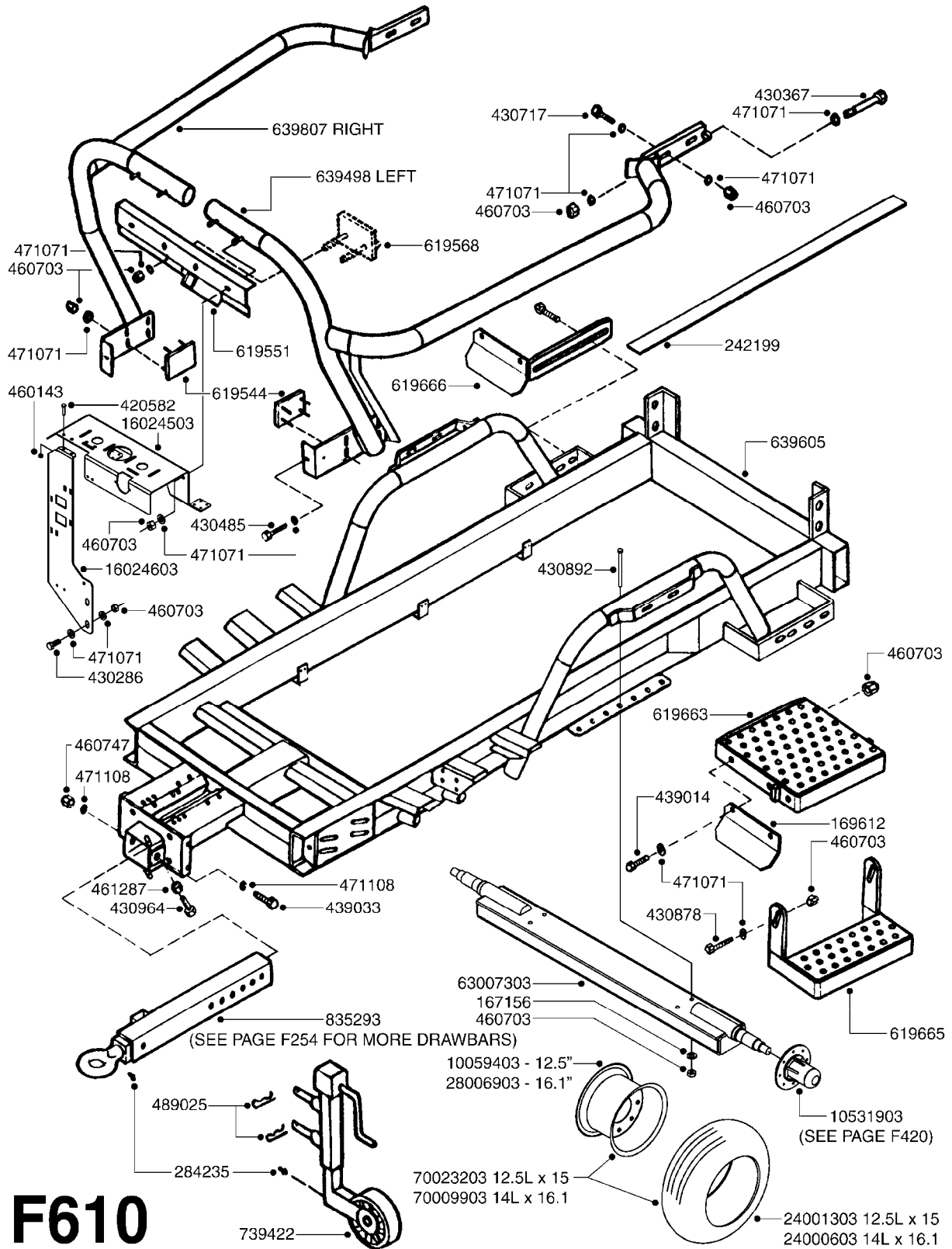


HUB ASSY F. 3" SPINDLE CM750
F440-HIN, 08:06:10

Page 1

Date 29.02.2012 11:02

| parts-n° | order qty | description |
|----------|-----------|---|
| 420582 | 1 | BOLT HEX 8.8 DEL M8X20 FT |
| 460143 | 1 | NUT HEX M8 LOCK |
| 10059803 | 1 | NUT HEX NF 1" |
| 10587803 | 1 | MAG MNT F. SPEED SNS 8 BOLT |
| 10606703 | 1 | NUT HEX NF 5/8" FLANGED F.STUD |
| 10629303 | 1 | PIN, COTTER 7/32" X 1.75" LONG |
| 14000203 | 1 | SPINDLE 3" X 16" W/NUT &WASHER |
| 16108403 | 1 | REINFORCEMENT RING 8-8-6 HUB FOR NON-REINFORCED 3/8" RIMS ONLY |
| 21000003 | 1 | BEARING INNER CUP #382A |
| 21000103 | 1 | BEARING OUTER CUP #LM501310 |
| 21000203 | 1 | BEARING INNER CONE #387AS |
| 21000303 | 1 | BEARING OUTER CONE #LM501349 |
| 21000403 | 1 | SEAL GREASE #CR29968 |
| 28000303 | 1 | DUST CAP #1609 |
| 28050103 | 1 | HUB F 3" 758 7500# PACKAGE |
| 45000003 | 1 | STUD BOLT 5/8" X 2-1/2" |
| 47000003 | 1 | WASHER SPNDL 3" 1.12X2.1 .25TK |
| 61000503 | 1 | SPEED SNS MNT CLAMP - 3" |
| 63000703 | 1 | AXLE INSERT W/M CM750 |



F610

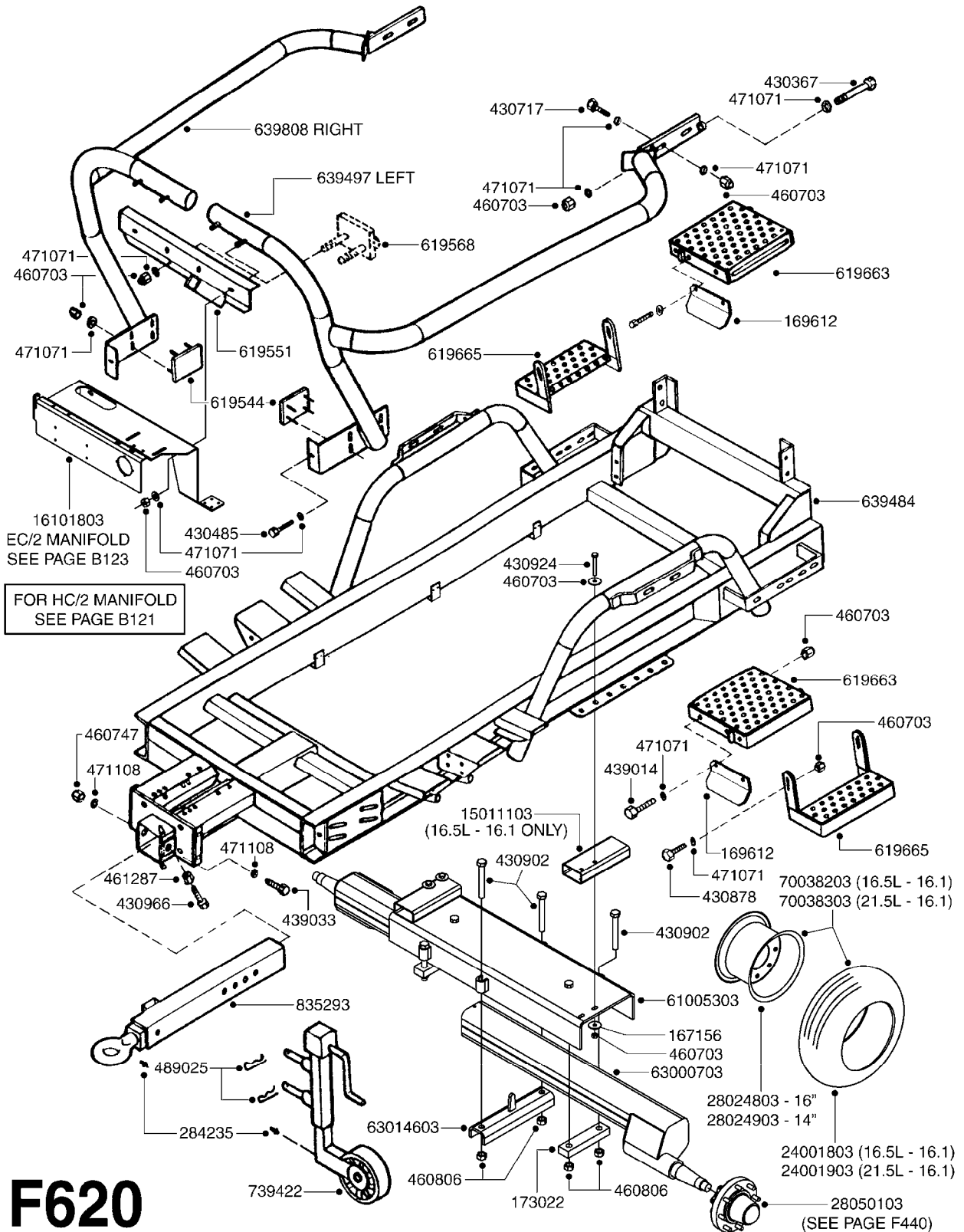


FRAME - MERCURY 600 '05
F610-HIN, 21:10:10

Page 1

Date 29.02.2012 11:02

| parts-n° | order qty | description |
|----------|-----------|---------------------------------|
| 167156 | 1 | WASHER D46.5/D12.4X2.5 |
| 169612 | 1 | MUD SCRAPER (STEP)MERCURY PLUS |
| 242199 | 1 | TANK FRAME PACKING 1300X45X3 |
| 284235 | 1 | GREASE NIPPLE M 6/100 |
| 420582 | 1 | BOLT HEX 8.8 DEL M8X20 FT |
| 430286 | 1 | BOLT HEX 8.8 DEL M12X30 FT |
| 430367 | 1 | BOLT HEX 8.8 DEL M12X100 |
| 430485 | 1 | BOLT HEX 8.8 DEL M12X90 |
| 430717 | 1 | BOLT HEX 8.8 RAW M12x40 |
| 430878 | 1 | BOLT HEX 8.8 DEL M12X45 |
| 430892 | 1 | BOLT HEX 8.8 DEL M12X110 |
| 430964 | 1 | BOLT HEX M18X50 |
| 439014 | 1 | BOLT HEX 8.8 DEL M12X35 |
| 439033 | 1 | BOLT HEX M24X170 GALV. |
| 460143 | 1 | NUT HEX M8 LOCK |
| 460703 | 1 | NUT HEX M12X1.75 LOCK |
| 460747 | 1 | NUT HEX M24 LOCK |
| 461287 | 1 | NUT HEX M18 |
| 471071 | 1 | WASHER M12 GALV |
| 471108 | 1 | WASHER D44D25X4.5 |
| 489025 | 1 | "R" PIN D.4 |
| 619544 | 1 | FRONT PLATE - MERCURY FRAME |
| 619551 | 1 | FRONT BRACKET F.RAILING MR600 |
| 619568 | 1 | TANK SUPPORT BRACKET |
| 619663 | 1 | FOOT STEP MERCURY PLUS |
| 619665 | 1 | BOTTOM FOOT STEP MERCURY PLUS |
| 619666 | 1 | MUD SCRAPER (FRAME)MERCURY PLUS |
| 639498 | 1 | RAILING - MERCURY 600 LEFT |
| 639605 | 1 | FRAME - MERCURY 600 PLUS |
| 639807 | 1 | RAILING - MERCURY 600 RIGHT |
| 739422 | 1 | CPL. JACK STAND FOR TANGO |
| 835293 | 1 | DRAWBAR RING HITCH |
| 10059403 | 1 | RIM 15X10 X 8-8-6 +1.062OFFSET |
| 10531903 | 1 | HUB ASSY.COMP.F.2-1/8" SPINDLE |
| 16024503 | 1 | SUPPORT MANIFOLD MERCURY |
| 16024603 | 1 | SUPPORT HYD VALVE MISTBLOWER |
| 24000603 | 1 | TIRE 14L X 16.1 8 PLY |
| 24001303 | 1 | TIRE 12.5L-15SL 12 PLY |
| 28006903 | 1 | WHEEL RIM 16.1" X 11" 8-8-6" |
| 63007303 | 1 | AXLE WELDMENT FIXD MERCURY 600 |
| 70009903 | 1 | WHEEL ASSY. 14L x 16.1 8PLY |
| 70023203 | 1 | TIRE ASSY 12.5L-15 12PLY8-8-6 |



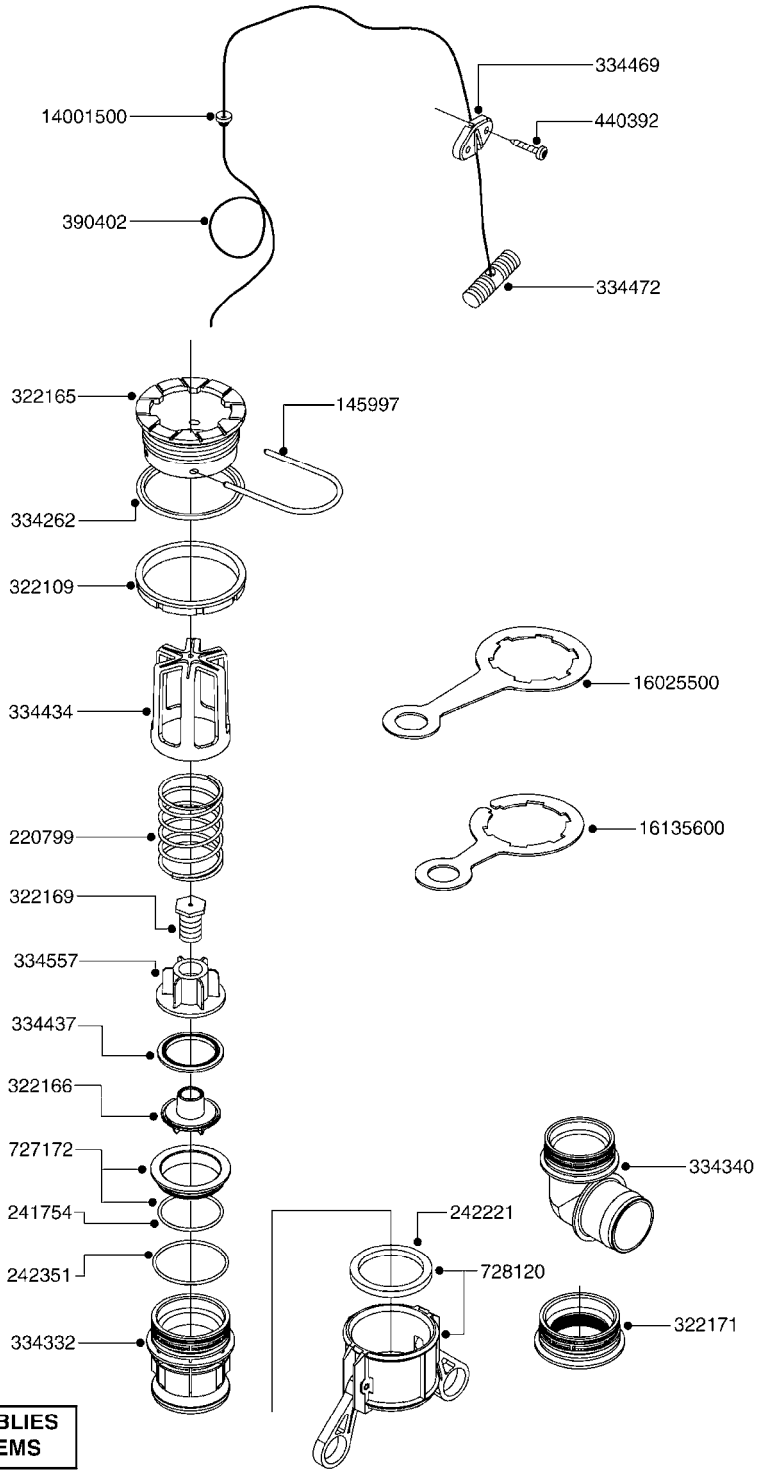


FRAME - MERCURY 925 '05
F620-HIN, 26:10:10

Page 1

Date 29.02.2012 11:02

| parts-n° | order qty | description |
|----------|-----------|---------------------------------|
| 167156 | 1 | WASHER D46.5/D12.4X2.5 |
| 169612 | 1 | MUD SCRAPER (STEP) MERCURY PLUS |
| 173022 | 1 | FLATBAR 50X30 L=218/2XD22 |
| 284235 | 1 | GREASE NIPPLE M 6/100 |
| 430367 | 1 | BOLT HEX 8.8 DEL M12X100 |
| 430485 | 1 | BOLT HEX 8.8 DEL M12X90 |
| 430717 | 1 | BOLT HEX 8.8 RAW M12x40 |
| 430878 | 1 | BOLT HEX 8.8 DEL M12X45 |
| 430902 | 1 | BOLT HEX 8.8 DEL M20X150 |
| 430924 | 1 | BOLT HEX 8.8 DEL M12 X 85 |
| 430966 | 1 | BOLT HEX M18X60 |
| 439014 | 1 | BOLT HEX 8.8 DEL M12X35 |
| 439033 | 1 | BOLT HEX M24X170 GALV. |
| 460703 | 1 | NUT HEX M12X1.75 LOCK |
| 460747 | 1 | NUT HEX M24 LOCK |
| 460806 | 1 | NUT HEX M20X2.5 LOCK |
| 461287 | 1 | NUT HEX M18 |
| 471071 | 1 | WASHER M12 GALV |
| 471108 | 1 | WASHER D44D25X4.5 |
| 489025 | 1 | "R" PIN D.4 |
| 619544 | 1 | FRONT PLATE - MERCURY FRAME |
| 619551 | 1 | FRONT BRACKET F.RAILING MR600 |
| 619568 | 1 | TANK SUPPORT BRACKET |
| 619663 | 1 | FOOT STEP MERCURY PLUS |
| 619665 | 1 | BOTTOM FOOT STEP MERCURY PLUS |
| 639484 | 1 | FRAME - MERCURY 925 |
| 639497 | 1 | RAILING - MERCURY 925 LEFT |
| 639808 | 1 | RAILING - MERCURY 925 RIGHT |
| 739422 | 1 | CPL. JACK STAND FOR TANGO |
| 835293 | 1 | DRAWBAR RING HITCH |
| 15011103 | 1 | RECT. TUBE SPACER MERC. 900 |
| 16101803 | 1 | CONTROL BRACKET F. MERCURY EC2 |
| 24001803 | 1 | TIRE 16.5L-16.1 10 PLY TURF |
| 24001903 | 1 | TIRE 21.5L-16.1 10 PLY TURF |
| 28024803 | 1 | WHEEL RIM 16.1X16 8-8-6 +1.125 |
| 28024903 | 1 | WHEEL RIM 16.1X14" 8-8-6 -1.50 |
| 28050103 | 1 | HUB F 3" 758 7500# PACKAGE |
| 61005303 | 1 | *AXLE NON-SUSP ADJ 900 MERC |
| 63000703 | 1 | AXLE INSERT W/M CM750 |
| 63014603 | 1 | SUPPORT BAR CENT ADJ. MERC 900 |
| 70038203 | 1 | *TIRE ASSY MR900 TF 8-8-6 16.1 |
| 70038303 | 1 | *TIRE ASSY MR900 TF 8-8-6 21.5 |



COMPLETE ASSEMBLIES
WHOLEGOODS ITEMS

727617 - COMPLETE ASSEMBLY (2" BSP THREADED FITTING & 126" CORD)
727742 - COMPLETE ASSEMBLY (2-1/2" ELBOW & 157.5" CORD)

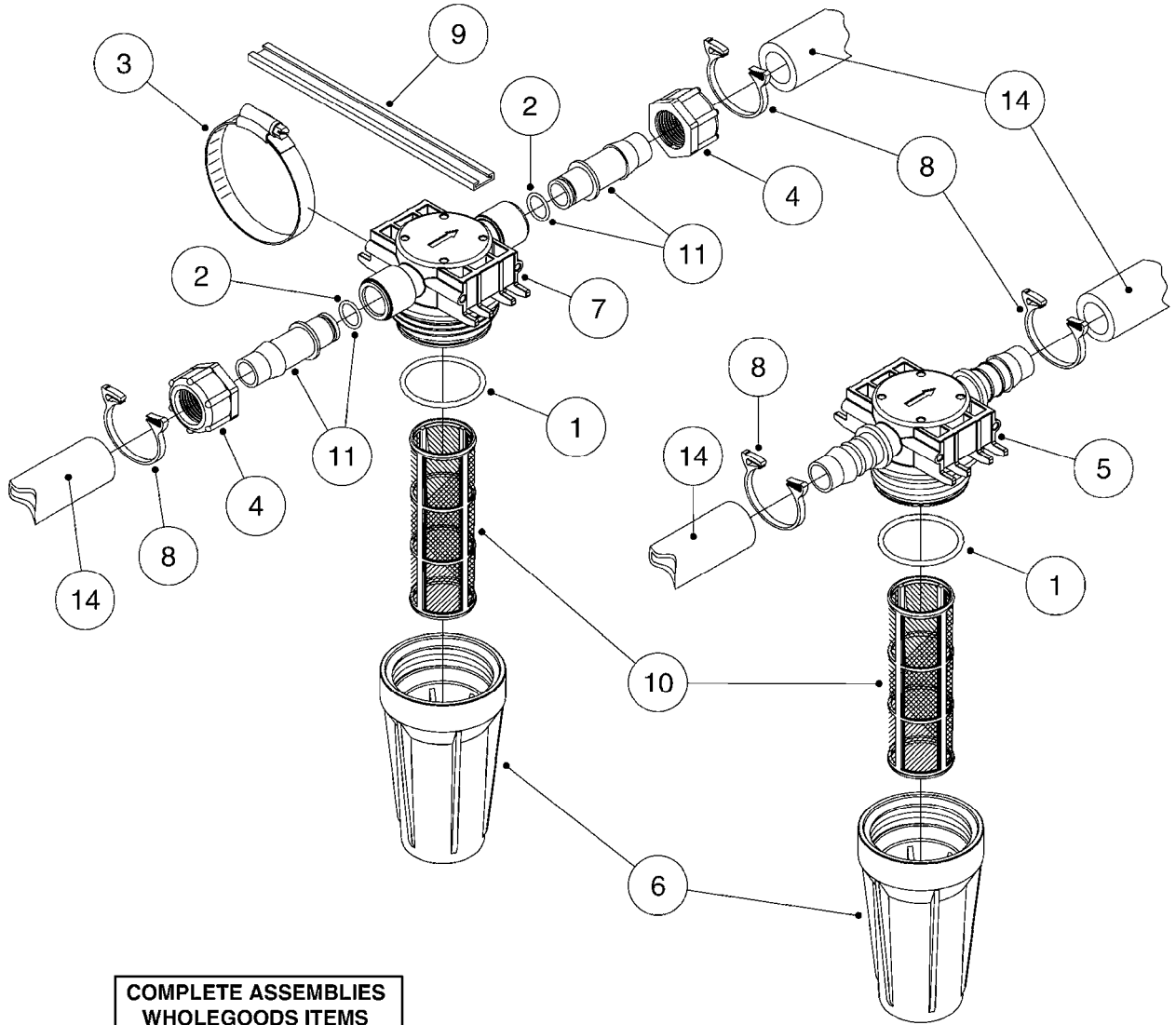
G120



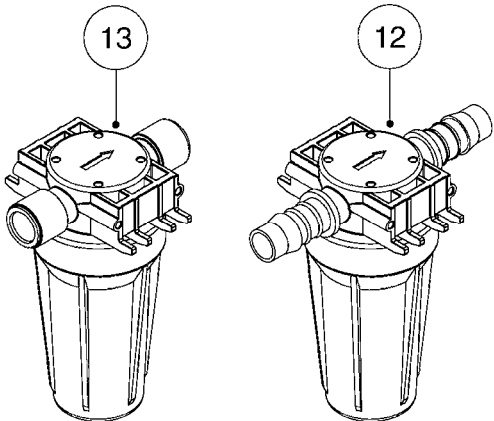
DRAIN ASSEMBLY-PULL CORD TYPE
G120-HIN, 06:10:10

Page 1
Date 29.02.2012 11:02

| parts-n° | order qty | description |
|----------|-----------|--------------------------------|
| 145997 | 1 | FITT.DK S-93 FORK |
| 220799 | 1 | SPRING F.TOP DRAIN |
| 241754 | 1 | O-RING D59,5X3 |
| 242221 | 1 | GASKET F. S-93 QUICK COUPLERS |
| 242351 | 1 | O-RING D69.5X3.0 VITON F.S-93 |
| 322109 | 1 | FITT.DK S-93 BULKHEAD NUT |
| 322165 | 1 | FITT.DK S-93 BULKHEAD SINGLE |
| 322166 | 1 | VALVE FLAP LOWER PART |
| 322169 | 1 | CORD PLUG F.TOP DRAIN |
| 322171 | 1 | FITT.DK S-93 THREAD INS.2"BSP |
| 334262 | 1 | GASKET F.S-93 BULKHEAD |
| 334332 | 1 | FITT.DK S-93 MALE QUICK COUP. |
| 334340 | 1 | FITT.DK S-93 ELB.2-1/2' PVC |
| 334434 | 1 | CAGE F.SPRING BOTTOM DRAIN ASY |
| 334437 | 1 | SEAL FOR VALVE FLAP |
| 334469 | 1 | CLEVIS F.CORD TOP DRAIN ASSY. |
| 334472 | 1 | HANDLE FOR TOP DRAIN |
| 334557 | 1 | SPRING SEAT TOP DRAIN |
| 390402 | 1 | CORD NYLON 3000MM |
| 440392 | 1 | SCREW NO.14 1" |
| 727172 | 1 | FITT.DK S-93 SEAT INSERT |
| 727617 | 1 | FITT.DK S-93 BOTTOM VALVE 2' |
| 727742 | 1 | TOP DRAIN CORD TYPE |
| 728120 | 1 | QUICK COUPLER CAP F.S93 DRAIN |
| 14001500 | 1 | GROMMET F.TOP DRAIN CORD |
| 16025500 | 1 | TANK SPACER SIGHT GAUGE |
| 16135600 | 1 | GUIDE FOR SIGHT GAUGE NAV/NCM |



COMPLETE ASSEMBLIES
WHOLEGOODS ITEMS



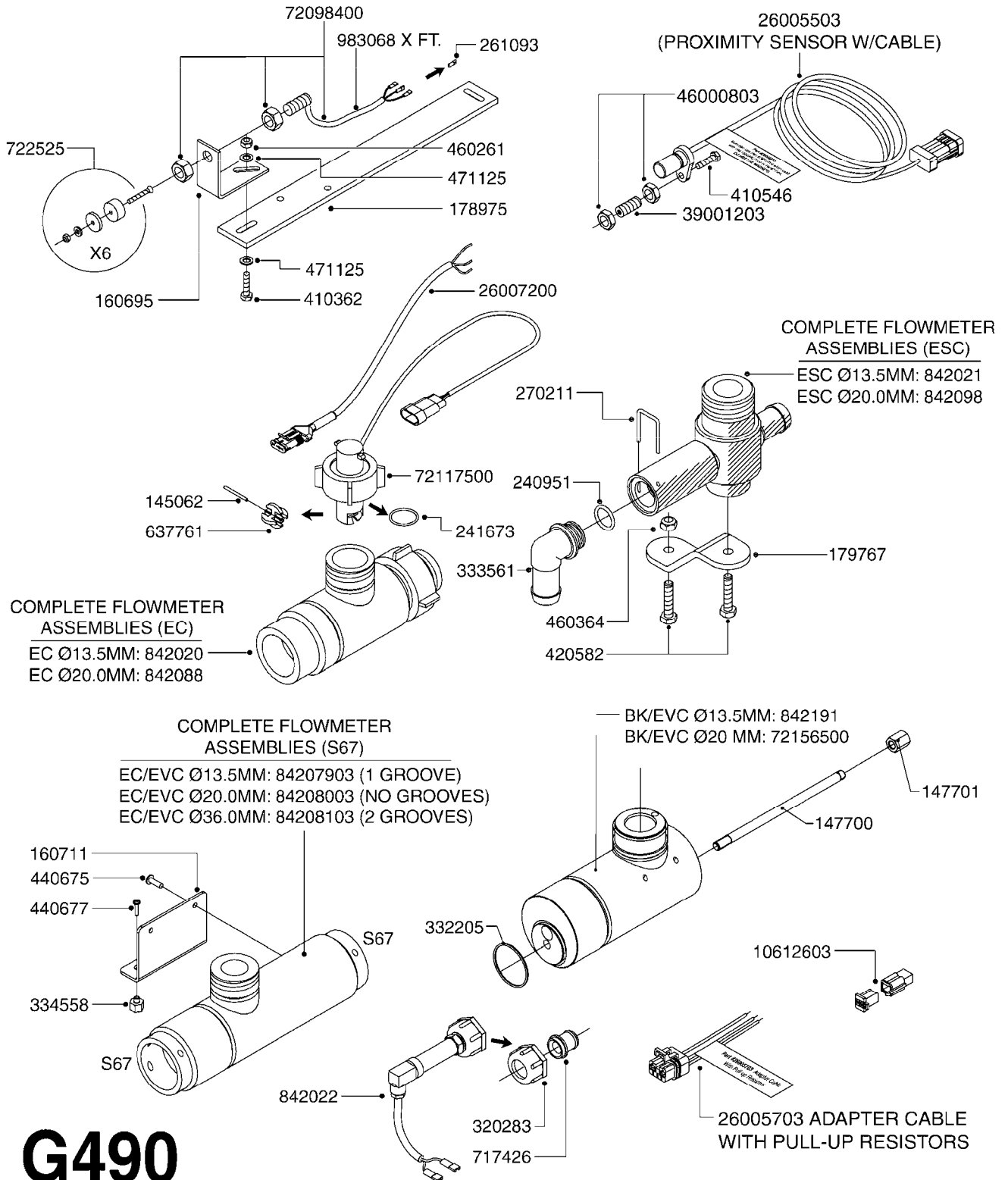
G220



FILTER ASSEMBLIES-IN LINE
G220-HIN, 18:06:09

Page 1
Date 29.02.2012 11:02

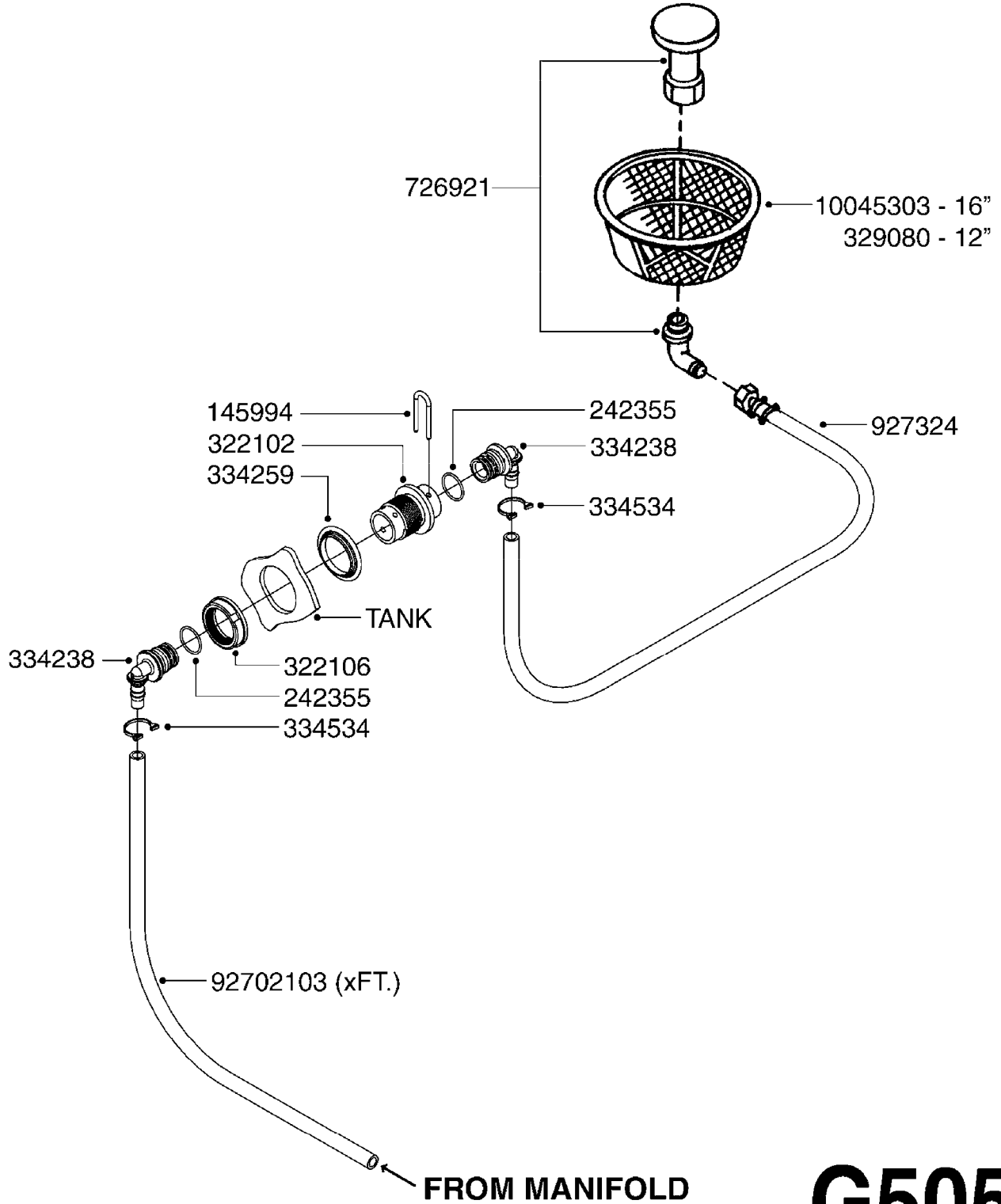
| Pos. | parts-n° | order qty | description |
|------|----------|-----------|--|
| 1 | 240925 | 1 | O-RING D49.5X3 NITRIL |
| 2 | 242594 | 1 | O-RING D14 X 1.78 SCH.70-EPDM |
| 3 | 28032000 | 1 | CLAMP HOSE GEAR D25.4-76.2 CLAMP FOR 1/2" HOUSING |
| 3 | 284700 | 1 | CLAMP HOSE GEAR D25/100 CLAMP FOR 3/4" HOUSING |
| 4 | 320283 | 1 | FITT.DK NUT 3/4"BSP |
| 5 | 322241 | 1 | FILTER HOUSING W.3/4' BARBS |
| 5 | 322249 | 1 | FILTER HOUSING W.1/2' BARBS |
| 6 | 322242 | 1 | FILTER BOWL / IN-LINE |
| 7 | 322250 | 1 | FILTER HOUSING W.3/4"BSP THRD |
| 8 | 334531 | 1 | CLAMP HOSE PLASTIC 3/4" |
| 8 | 334534 | 1 | CLAMP HOSE PLASTIC 1/2" |
| 9 | 341292 | 1 | RUBBER HOSE CLAMP COVER 180MM |
| 10 | 615443 | 1 | FILTER ELEM.50 MESH BLUE |
| 10 | 615444 | 1 | FILTER ELEM.80 MESH RED |
| 10 | 615445 | 1 | FILTER ELEM.100 MESH YELLOW |
| 11 | 716236 | 1 | FITT.DK HB 1/2" ASSY. F. 3/4" |
| 11 | 724621 | 1 | FITT.DK HB 3/4"ASSY F.3/4" NUT |
| 12 | 845205 | 1 | FILTER IN-LINE 1/2' 50 MESH |
| 12 | 845208 | 1 | FILTER IN-LINE 3/4' 50 MESH |
| 12 | 845209 | 1 | FILTER IN-LINE 3/4' 80 MESH |
| 13 | 845218 | 1 | FILTER IN-LINE 3/4'50 MESH OML |
| 13 | 845219 | 1 | FILTER IN-LINE 3/4'80 MESH OML |
| 14 | 92702103 | 1 | HOSE R X1/2" X300PSI WP X0012" |
| 14 | 92703203 | 1 | HOSE R X3/4" X300PSI WP X0012" |



G490



| parts-n° | order qty | description |
|----------|-----------|--------------------------------|
| 145062 | 1 | ROTOR SHAFT |
| 147700 | 1 | STUD BOLT M8 X 158MM |
| 147701 | 1 | NUT HEX M8 STAINLESS L=16 |
| 160695 | 1 | BRACKET F.SENSOR |
| 160711 | 1 | BRACKET FOR FLOW METER |
| 178975 | 1 | MOUNT BRACKET F. SPEED SENSOR |
| 179767 | 1 | FLOW SENSOR MOUNTING BRACKET |
| 240951 | 1 | O-RING D21.2X3 NITRIL |
| 241673 | 1 | O-RING D22.1X1.6 |
| 261093 | 1 | SPADE F.ELEC.WIRE DK 2.8X0.8 |
| 270211 | 1 | FITT.DK S25 FORK L=37.5 |
| 320283 | 1 | FITT.DK NUT 3/4"BSP |
| 332205 | 1 | O-RING D43/39XD2 |
| 333561 | 1 | FITT.DK ELB.1" EC RETURN |
| 334558 | 1 | NUT HEX PLASTIC INSERT |
| 410362 | 1 | BOLT HEX 8.8 DEL M6X20 FT |
| 410546 | 1 | BOLT HEX 8.8 DEL M6X12 FT |
| 420582 | 1 | BOLT HEX 8.8 DEL M8X20 FT |
| 440675 | 1 | SCREW F. PLASTIC 5X16 SS |
| 440677 | 1 | SCREW F. PLASTIC 5X20 SS |
| 460261 | 1 | NUT HEX M6X1 LOCK |
| 460364 | 1 | NUT HEX M8 GALV. |
| 471125 | 1 | WASHER D12/D6.4x1.6 SS |
| 637761 | 1 | ROTOR F.FLOWMETER - PILOT |
| 717426 | 1 | FITT.DK REDUC 1/4"BSP F.3/4"N |
| 722525 | 1 | MONITOR MAGNETS SET OF 8PCS |
| 842020 | 1 | HP FLOW METER EC 2-30 GPM |
| 842021 | 1 | HP FLOW METER ESC 2-30 GPM |
| 842022 | 1 | HP PRESS. TRANSDUCER 0-150 PSI |
| 842088 | 1 | HP FLOW METER EC 4-70 GPM |
| 842098 | 1 | HP FLOW METER ESC 4-70 GPM |
| 842191 | 1 | HP FLOW METER BK/EVC 2-30 GPM |
| 983068 | 1 | ELEC. CABLE 3 WIRE X .25MM HP |
| 10612603 | 1 | KIT PLUG 6 PIN F.PILOT MONITOR |
| 26005503 | 1 | SPEED SENSOR/CABLE ASSY PROX |
| 26005703 | 1 | *SPEED SENS ADPT CBLE W PULLUP |
| 26007200 | 1 | CABLE,EXT F.SENS AMP PLUG 13M |
| 39001203 | 1 | THREAD PLST 1/2-13UNCXM6X1L=1" |
| 46000803 | 1 | NUT, 1/2-13 THIN |
| 72098400 | 1 | SPEED SENSOR W/CABLE 10000MM |
| 72117500 | 1 | FLOW SENSOR -M.AMP L=1M |
| 72156500 | 1 | HP FLOW METER PIN 4-70 GPM 20Ø |
| 84207903 | 1 | FLOW METER,2-30 GPM,S67,CAL |
| 84208003 | 1 | FLOW METER,4-70 GPM,S67,CAL |
| 84208103 | 1 | FLOW METER,20-160 GPM,S67,CAL |



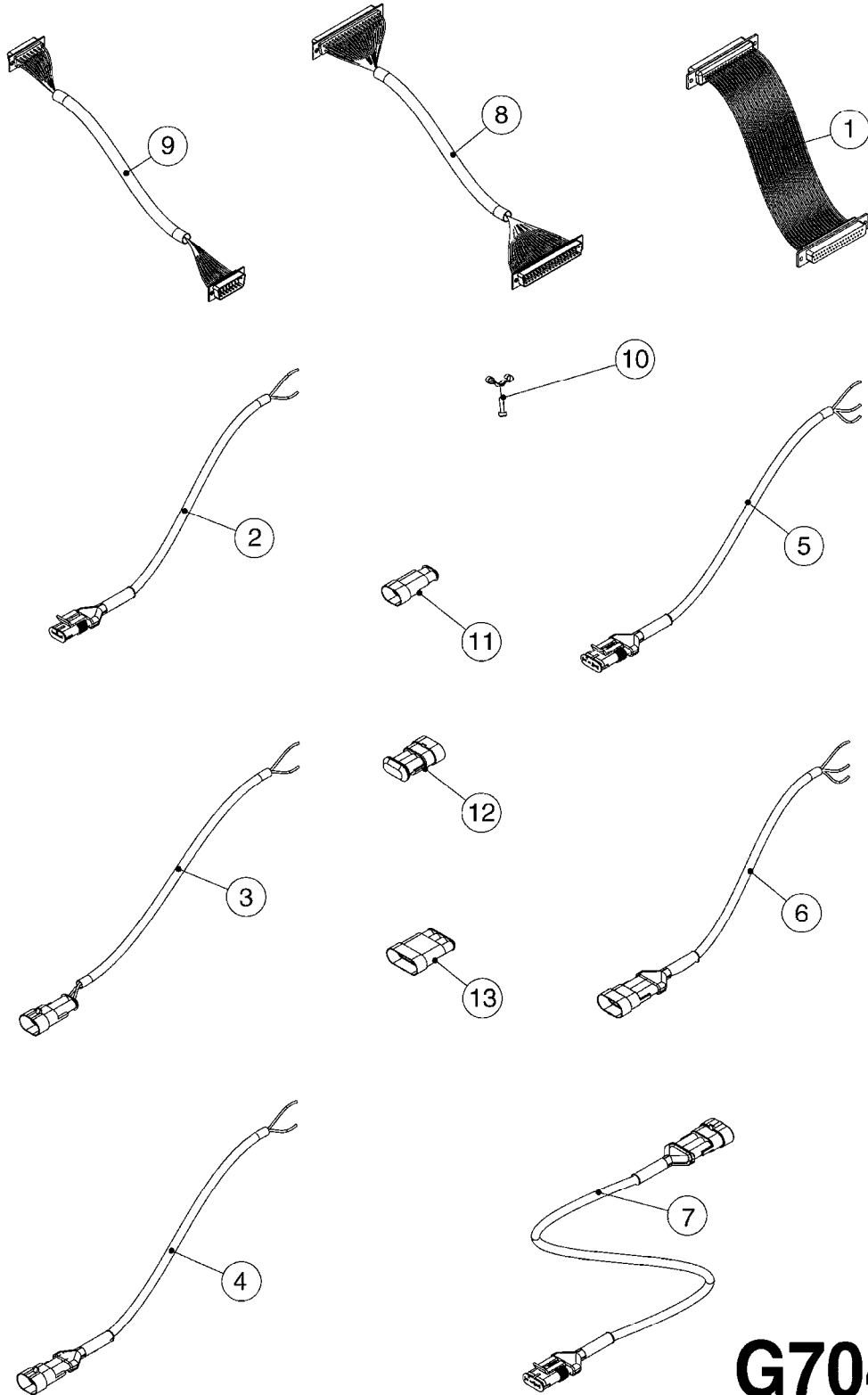
G505



POWDER MIXER
G505-HIN, 05:05:11

Page 1
Date 29.02.2012 11:02

| parts-n° | order qty | description |
|----------|-----------|--------------------------------|
| 145994 | 1 | FITT.DK S-40 FORK |
| 242355 | 1 | O-RING D19.2X3.0 VITON F.S-40 |
| 322102 | 1 | FITT.DK S-40 BULKHEAD |
| 322106 | 1 | FITT.DK S-40 BULKHEAD NUT |
| 329080 | 1 | FILTER BASKET 12" |
| 334238 | 1 | FITT.DK S-40 ELB.1/2' |
| 334259 | 1 | GASKET F. S-40 BULKHEAD |
| 334534 | 1 | CLAMP HOSE PLASTIC 1/2" |
| 726921 | 1 | POWDER MIXER F.STRAINER BASKET |
| 927324 | 1 | HOSE R PRESSURE D12-80-200 BAR |
| 10045303 | 1 | FILTER BASKET 16" |
| 92702103 | 1 | HOSE R X1/2" X300PSI WP X0012" |



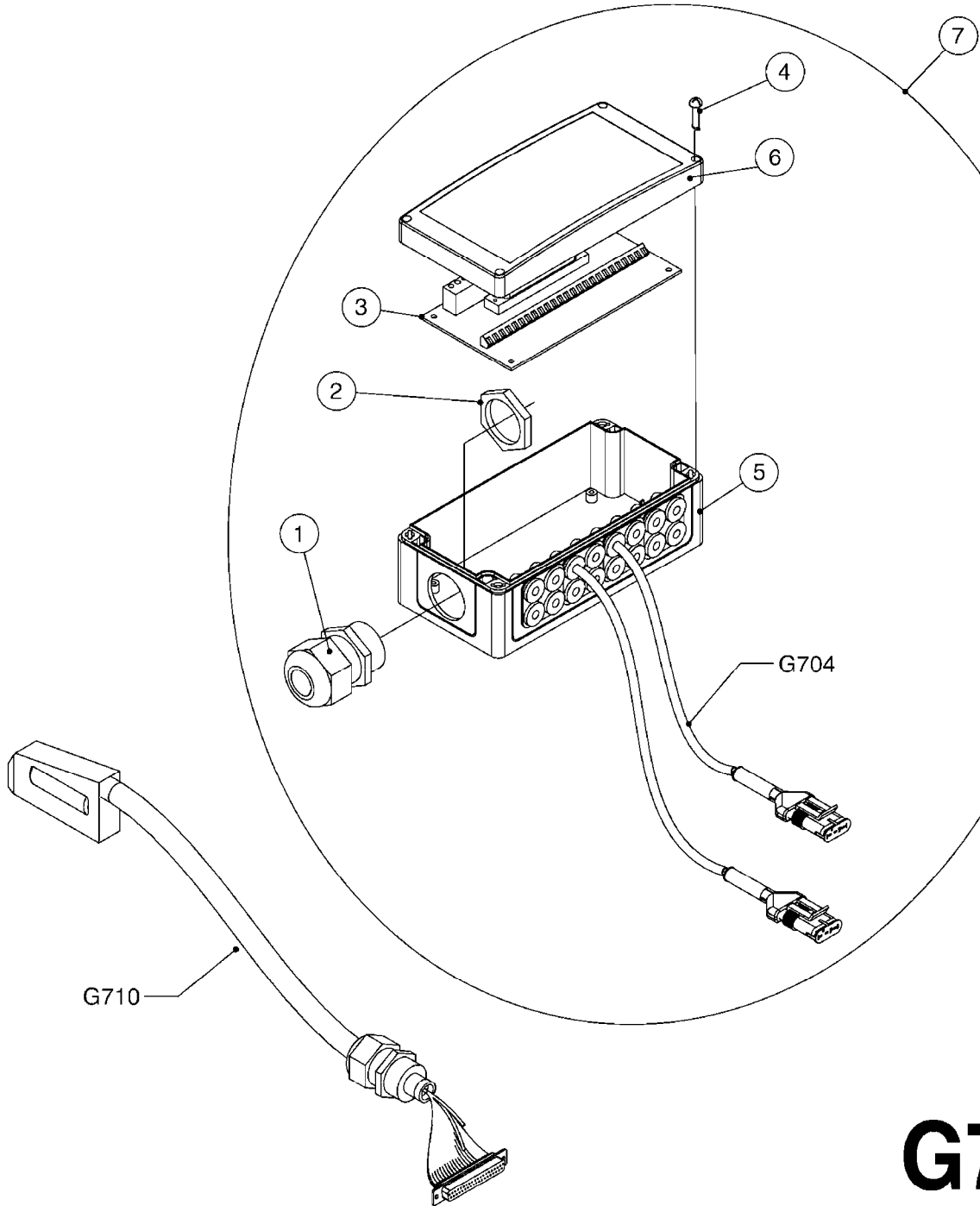
G704



CABLES
G704-HIN, 22:06:09

Page 1
Date 29.02.2012 11:02

| Pos. | parts-n° | order qty | description |
|------|----------|-----------|--------------------------------|
| 1 | 26005900 | 1 | CABLE 37/37 POLE DAH/JOB COM |
| 2 | 26006200 | 1 | WIRE W.PLG 2P.AMP FEM.L=14'9" |
| 2 | 26006300 | 1 | WIRE W.PLUG AMP FEMALE L=.5M |
| 2 | 26006400 | 1 | WIRE W.PLG 2P.AMP FEM.L=29.5" |
| 2 | 26006500 | 1 | WIRE W.PLUG AMP FEMALE L=1.5M |
| 2 | 26006600 | 1 | WIRE W.PLUG AMP FEMALE L=9M |
| 3 | 26006700 | 1 | WIRE W.PLG 2P.AMP MALE L=4.75" |
| 4 | 26006800 | 1 | WIRE W.PLG 2P.AMP MALE L=39" |
| 5 | 26006000 | 1 | WIRE W.PLG 3P.AMP FEM.L=59" |
| 5 | 26006100 | 1 | WIRE W.PLUG AMP FEMALE L=5M |
| 5 | 26007000 | 1 | WIRE W.PLUG AMP FEMALE L=0.2M |
| 5 | 26007100 | 1 | CABLE AMP MALE 3 WIRE L=9M |
| 5 | 26007200 | 1 | CABLE,EXT F.SENS AMP PLUG 13M |
| 6 | 26007300 | 1 | WIRE W.PLG 3P.AMP MALE L=39" |
| 7 | 26007400 | 1 | SENSOR EXTENSION CABLE AMP,3M |
| 7 | 26009800 | 1 | EXTENSION CABLE 2P.AMP L=20" |
| 8 | 26004900 | 1 | CABLE FEM/MALE 37P L=9.5M |
| 9 | 26007500 | 1 | CABLE FEM/FEM 15P L=3.5M |
| 10 | 262150 | 1 | SCREW ASSM.FOR D-SUB PLUG |
| 11 | 72450600 | 1 | CAP F. AMP SUPER SEAL 2P PLUG |
| 12 | 72450700 | 1 | CAP F. AMP SUPER SEAL 3P PLUG |
| 13 | 72450800 | 1 | CAP F. AMP SUPER SEAL 4P PLUG |



G705



JUNCTION BOX - LIQUID
G705-HIN, 01:12:10

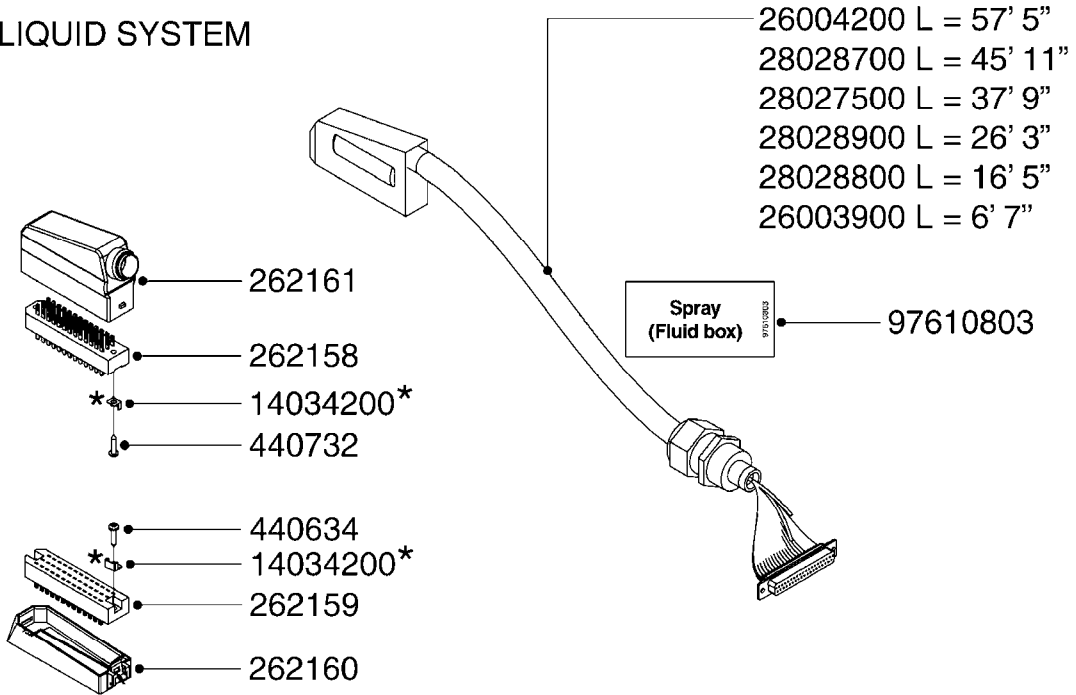
Page 1

Date 29.02.2012 11:02

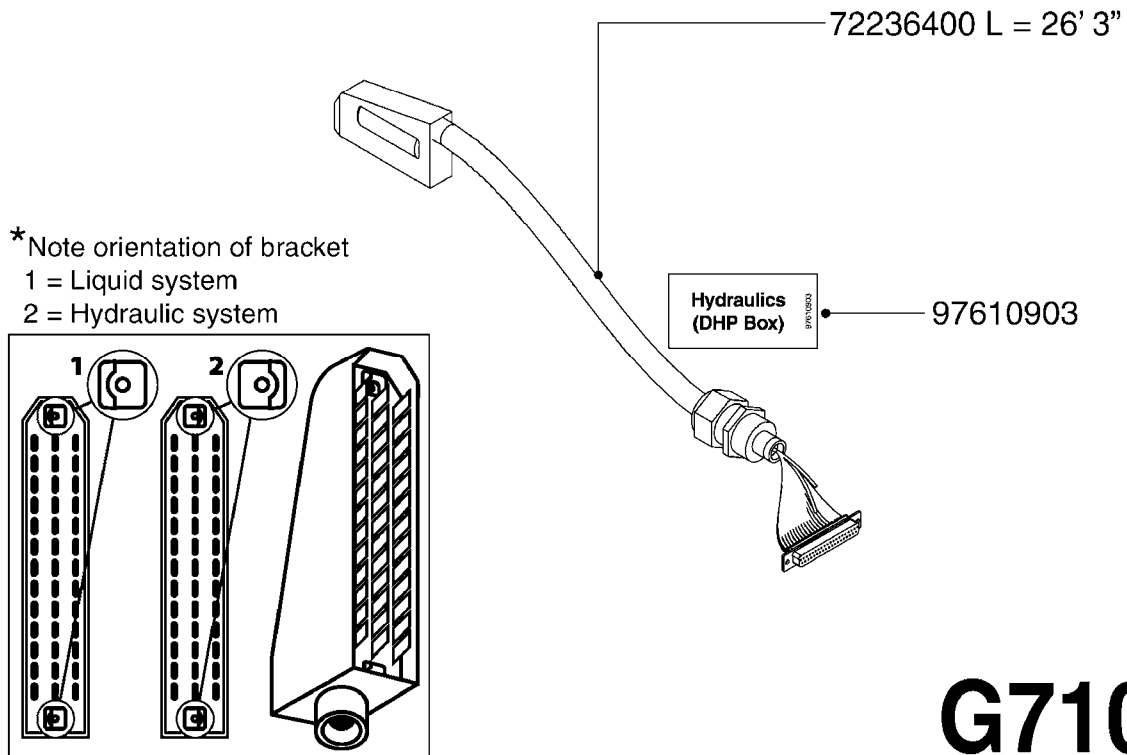
| Pos. | parts-n° | order qty | description |
|------|----------|-----------|--|
| 1 | 262106 | 1 | BULKHEAD F. CABLE 6.5-14 BLACK |
| 2 | 262107 | 1 | NUT F. BULKHEAD CABLE BLACK |
| 3 | 26004800 | 1 | CIRCUIT BD SEC VLV NCM 13SEC 13 SECTION |
| 3 | 72173900 | 1 | CIRCUIT BD SEC VLV 39PIN 9SEC 9 SECTION |
| 4 | 28082100 | 1 | SCREW F. BOX LID 1/4" L=20 |
| 5 | 33508700 | 1 | BOX 160X80X40 BLACK |
| 6 | 33508800 | 1 | BOX LID 160X80X15 BLACK |
| 7 | 72115400 | 1 | CONNECTION BOX F. OP. UNIT SV9 |



LIQUID SYSTEM



HYDRAULIC SYSTEM



G710



39 PIN CABLES
G710-HIN, 16:11:09

Page 1

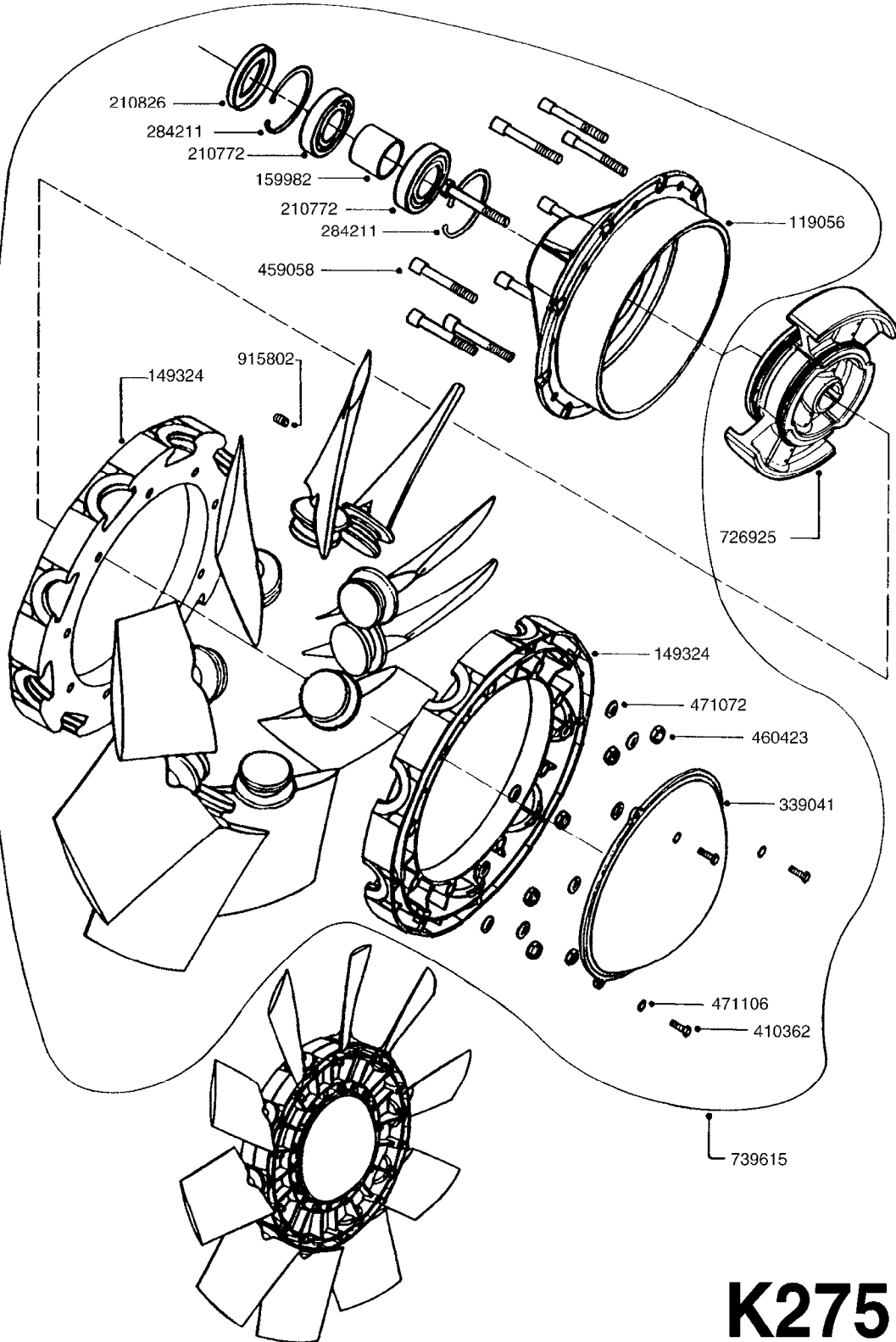
Date 29.02.2012 11:02

| parts-n° | order qty | description |
|----------|-----------|-------------------------------|
| 262158 | 1 | PLUG INSERT 39 POLE MALE |
| 262159 | 1 | PLUG INSERT 39 POLE FEMALE |
| 262160 | 1 | PLUG HOUSING 39 POLE FEMALE |
| 262161 | 1 | PLUG HOUSING F/39 POLE MALE |
| 440634 | 1 | SCREW 5/8" |
| 440732 | 1 | PT SCREW 35X12B Z5452 ELZ |
| 14034200 | 1 | CODE BRACKET FOR 39 PIN CABLE |
| 26003900 | 1 | WIRE 37-39 PIN EVC, 6.6' |
| 26004200 | 1 | WIRE 37-39 PIN EVC, 57.4' |
| 28027500 | 1 | WIRE 37-39 PIN EVC, 37.7' |
| 28028700 | 1 | WIRE 37-39 PIN EVC, 45.9' |
| 28028800 | 1 | WIRE 37-39 PIN EVC, 16.4' |
| 28028900 | 1 | WIRE 37-39 PIN EVC, 26.2' |
| 72236400 | 1 | DAH CONN. WIRE/TRACTOR L=8M |
| 97610803 | 1 | DECAL-SRAY BOX 39-PIN |
| 97610903 | 1 | DECAL-HYDRAULIC BOX 39-PIN |



MERCURY - 36" AXIAL FAN
K275-HIN, 01:01:01

Page 0
Date 29.02.2012 11:02



K275



MERCURY - 36" AXIAL FAN
K275-HIN, 01:01:01

Page 1

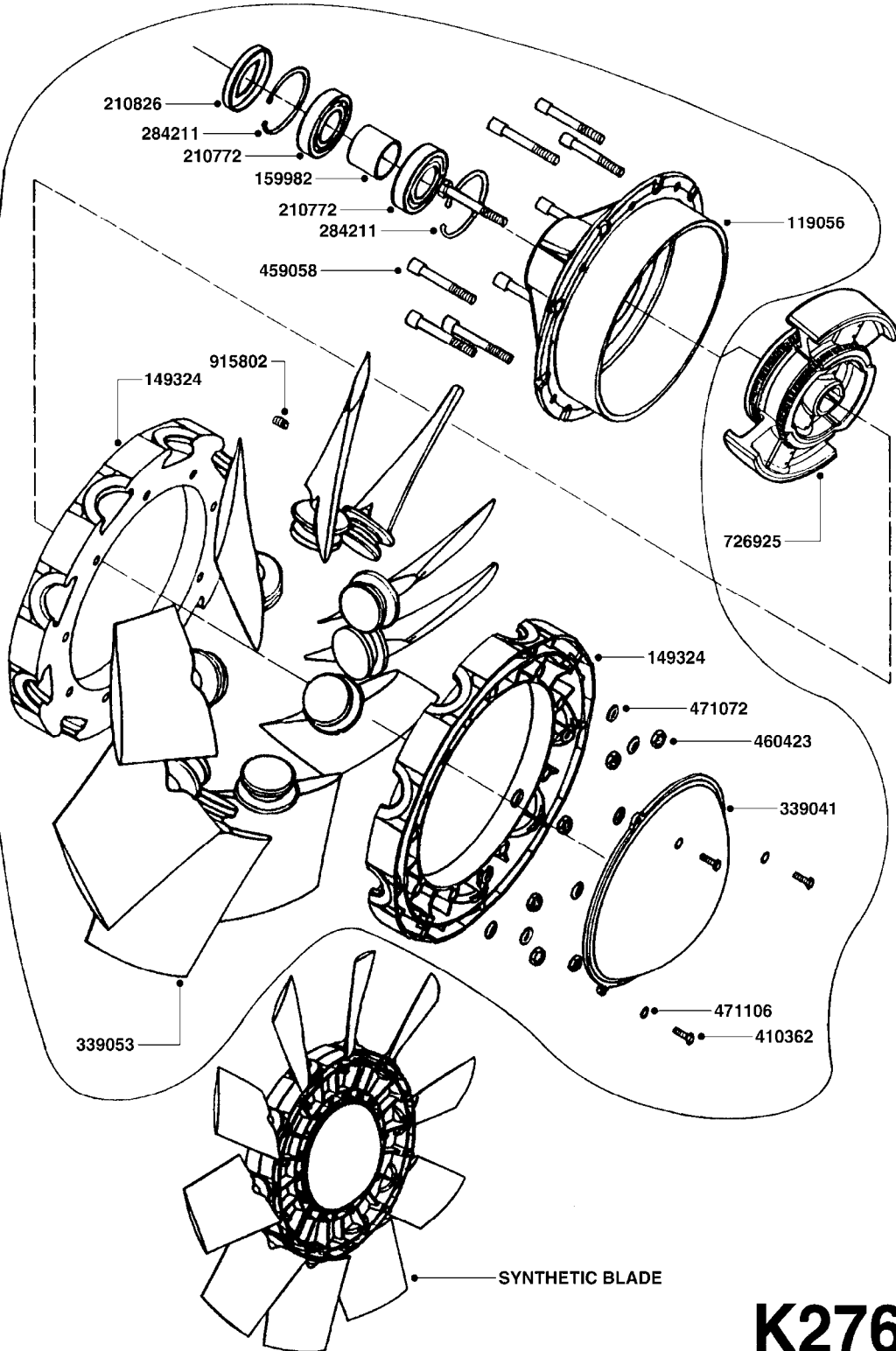
Date 29.02.2012 11:02

| parts-n° | order qty | description |
|----------|-----------|----------------------------|
| 119056 | 1 | CENTER WHEEL F.30"/32" FAN |
| 149324 | 1 | FLANGE F.CENTER WHEEL 36" |
| 159982 | 1 | DISTANCE TUBE FOR 820 |
| 210772 | 1 | BALL BEARING 6208 2RS1 |
| 210826 | 1 | SEAL OIL 45 X 10 |
| 284211 | 1 | SNAP-RING INNER 80X2.5 |
| 339041 | 1 | CAP FOR FAN |
| 410362 | 1 | BOLT HEX 8.8 DEL M6X20 FT |
| 459058 | 1 | ALLEN SCREW M10X80 |
| 460423 | 1 | NUT HEX M10X1.5 LOCK |
| 471072 | 1 | WASHER M10 EL2 |
| 471106 | 1 | WASHER D6 |
| 726925 | 1 | CENTRIFUGAL CLUTCH D. 245 |
| 739615 | 1 | FAN - AXIAL 36" |
| 915802 | 1 | SET SCREW DIN 913 6X6 |



MERCURY - 36" AXIAL FAN '05
K276-HIN, 01:12:10

Page 0
Date 29.02.2012 11:02



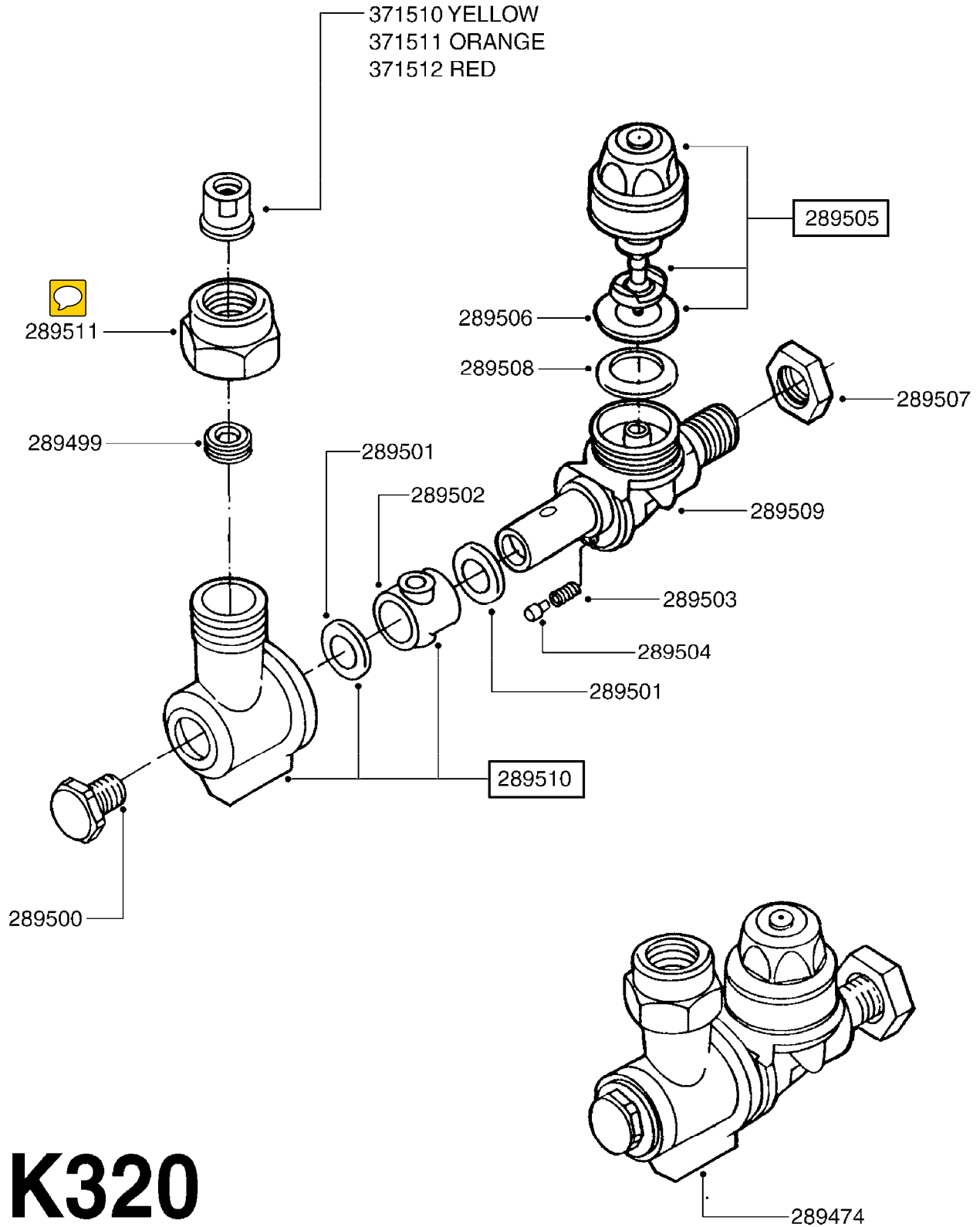
K276



MERCURY - 36" AXIAL FAN '05
K276-HIN, 01:12:10

Page 1
Date 29.02.2012 11:02

| parts-n° | order qty | description |
|----------|-----------|--------------------------------|
| 119056 | 1 | CENTER WHEEL F.30"/32" FAN |
| 149324 | 1 | FLANGE F.CENTER WHEEL 36" |
| 159982 | 1 | DISTANCE TUBE FOR 820 |
| 210772 | 1 | BALL BEARING 6208 2RS1 |
| 210826 | 1 | SEAL OIL 45 X 10 |
| 284211 | 1 | SNAP-RING INNER 80X2.5 |
| 339041 | 1 | CAP FOR FAN |
| 339053 | 1 | FAN BLADE 820/920 SYNTHETIC V2 |
| 410362 | 1 | BOLT HEX 8.8 DEL M6X20 FT |
| 459058 | 1 | ALLEN SCREW M10X80 |
| 460423 | 1 | NUT HEX M10X1.5 LOCK |
| 471072 | 1 | WASHER M10 EL2 |
| 471106 | 1 | WASHER D6 |
| 726925 | 1 | CENTRIFUGAL CLUTCH D. 245 |
| 915802 | 1 | SET SCREW DIN 913 6X6 |



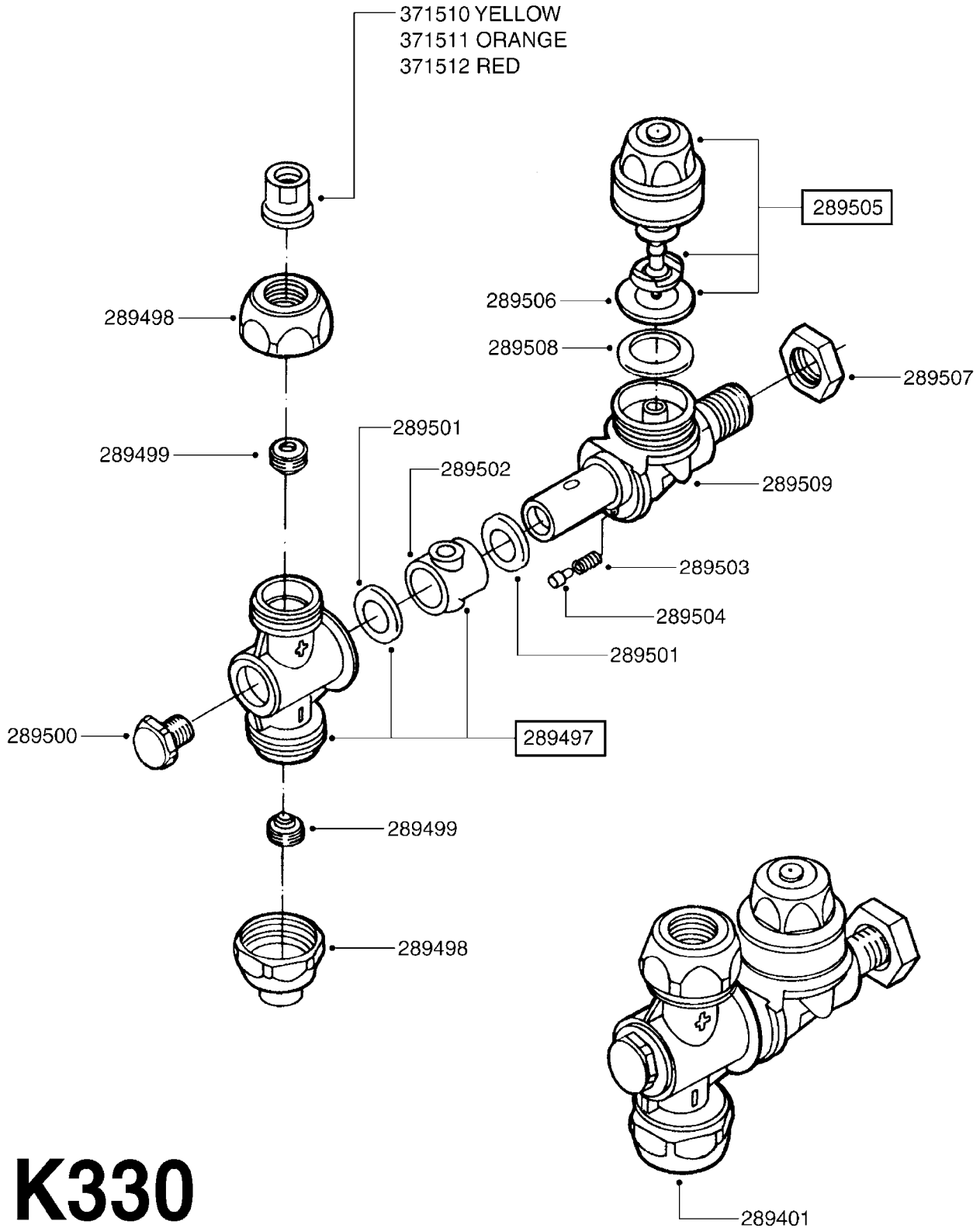


NOZZLES - AXIAL JET 1/4 X 1
K320-HIN, 01:01:01

Page 1

Date 29.02.2012 11:02

| parts-n° | order qty | description |
|----------|-----------|--------------------------------|
| 289474 | 1 | NOZZLE HOLDER SIMPLE, NON-DRIP |
| 289499 | 1 | NUT M11X1 |
| 289500 | 1 | BOLT FOR NOZZLE HOLDER |
| 289501 | 1 | O-RING 11 X 2.5 |
| 289502 | 1 | NOZZLE FLOW DIVIDER |
| 289503 | 1 | SPRING |
| 289504 | 1 | NOZZLE POSITION LOCK |
| 289505 | 1 | NON-DRIP ASSY.BRASS NOZ.HOLDER |
| 289506 | 1 | NON-DRIP DIAPHRAGM |
| 289507 | 1 | NUT |
| 289508 | 1 | O-RING/NOZZLE HOLDER NON-DRIP |
| 289509 | 1 | NOZZLE BODY |
| 289510 | 1 | SINGLE NOZZLE BODY |
| 289511 | 1 | NUT 3/8" |
| 371510 | 1 | NOZZLE CONE JET 1299-12 YELLOW |
| 371511 | 1 | NOZZLE CONE JET 1299-14 ORANGE |
| 371512 | 1 | NOZZLE CONE JET 1299-16 RED |



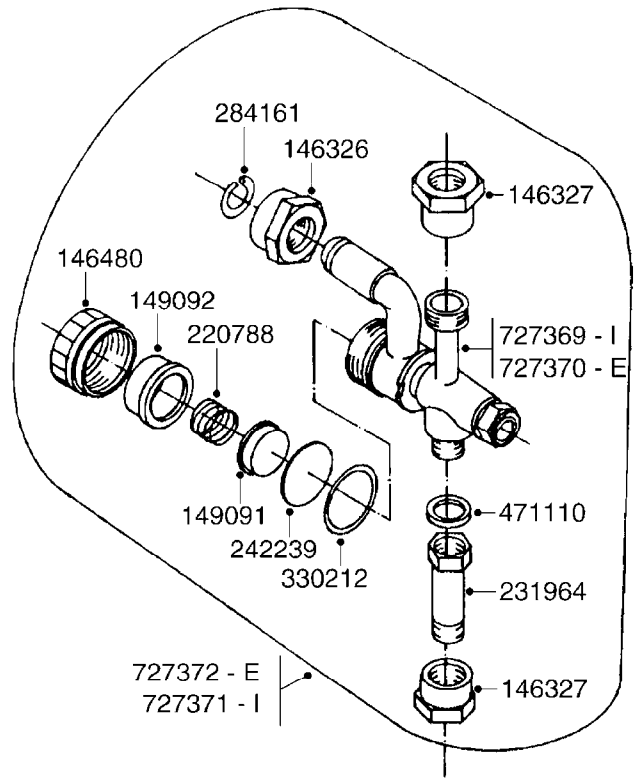
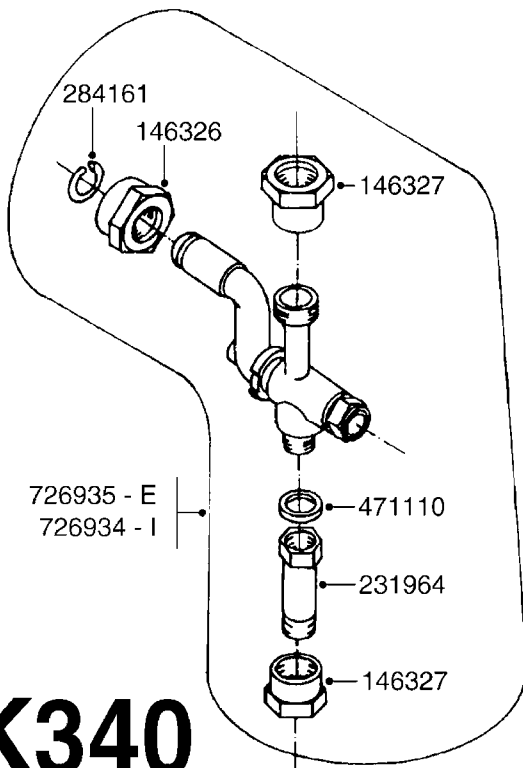
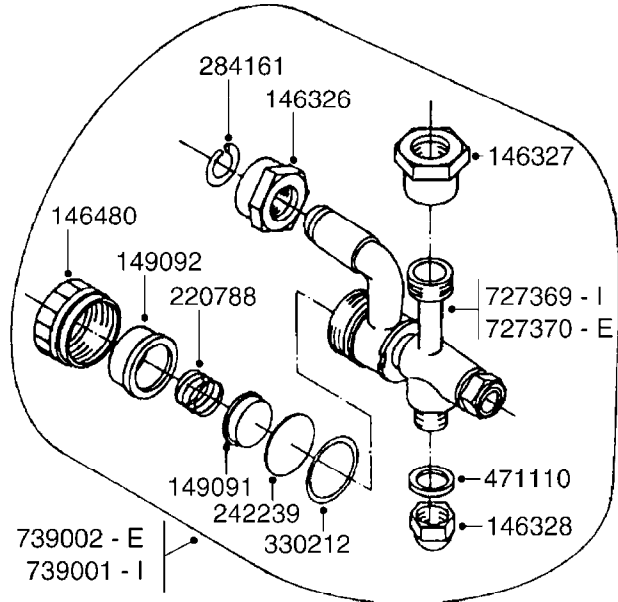
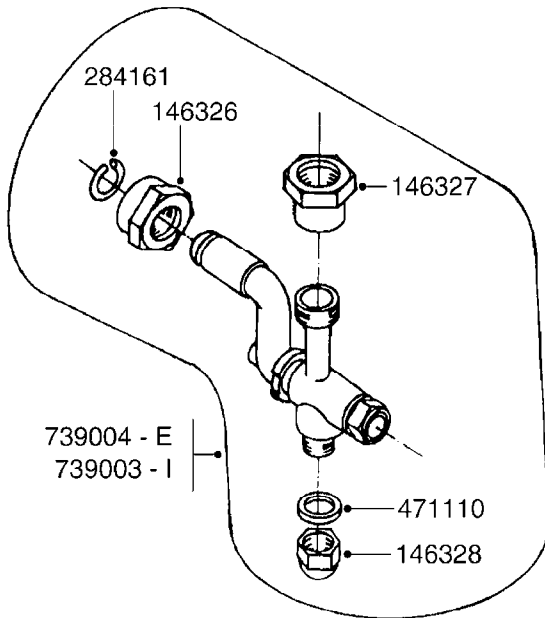


NOZZLES - AXIAL JET 1/4 X 2
K330-HIN, 01:01:01

Page 1

Date 29.02.2012 11:02

| parts-n° | order qty | description |
|----------|-----------|--------------------------------|
| 289401 | 1 | JET 1/4" DOUBLE alt 70009602 |
| 289497 | 1 | NOZZLE HOLDER - DOUBLE |
| 289498 | 1 | NUT NOZZLE HOLDER |
| 289499 | 1 | NUT M11X1 |
| 289500 | 1 | BOLT FOR NOZZLE HOLDER |
| 289501 | 1 | O-RING 11 X 2.5 |
| 289502 | 1 | NOZZLE FLOW DIVIDER |
| 289503 | 1 | SPRING |
| 289504 | 1 | NOZZLE POSITION LOCK |
| 289505 | 1 | NON-DRIP ASSY.BRASS NOZ.HOLDER |
| 289506 | 1 | NON-DRIP DIAPHRAGM |
| 289507 | 1 | NUT |
| 289508 | 1 | O-RING/NOZZLE HOLDER NON-DRIP |
| 289509 | 1 | NOZZLE BODY |
| 371510 | 1 | NOZZLE CONE JET 1299-12 YELLOW |
| 371511 | 1 | NOZZLE CONE JET 1299-14 ORANGE |
| 371512 | 1 | NOZZLE CONE JET 1299-16 RED |



K340



NOZZLES - SINGLE & DOUBLE JETS
K340-HIN, 01:01:01

Page 1
Date 29.02.2012 11:02

| parts-n° | order qty | description |
|----------|-----------|--------------------------------|
| 146326 | 1 | UNION NUT 1/2' BRASS |
| 146327 | 1 | UNION NUT 3/8' BRASS |
| 146328 | 1 | TOP NUT M12 BRASS |
| 146480 | 1 | END CAP FOR NZL TUBE |
| 149091 | 1 | INNER CAP FOR NON-DRIP |
| 149092 | 1 | NOZZLE CAP FOR NON-DRIP |
| 220788 | 1 | SPRING FOR NON-DRIP |
| 231964 | 1 | HEX NIPPLE |
| 242239 | 1 | MEMBRANE FOR NON DRIP |
| 284161 | 1 | RING STAINLESS SPRING TYPE |
| 330212 | 1 | O-RING D19/D14X2.4 F.1/2"NUT |
| 471110 | 1 | WASHER D18D12X2 COPPER |
| 726934 | 1 | DOUBLE NOZZLE HOLDER 'I' |
| 726935 | 1 | DOUBLE NOZZLEHOLDER D |
| 727369 | 1 | DOUBLE NON-DRIP NOZ.HOLDER - I |
| 727370 | 1 | DOUBLE NON-DRIP NOZ.HOLDER - E |
| 727371 | 1 | DOUB.NOZZ.HOLD NON DROP INT. |
| 727372 | 1 | DOUB.NOZZLE HOLD.NON-DROP EXT. |
| 739001 | 1 | NOZZ.HOLDER SIMPLE"I" NON-DRIP |
| 739002 | 1 | SINGL.NOZ.HOLDER "D/E" NO-DRIP |
| 739003 | 1 | SINGLE NOZZLE HOLDER |
| 739004 | 1 | "NOZZLE HOLDER SIMPLE "D/E" "" |



MERCURY - 36" AXIAL GEARBOX
K490-HIN, 04:11:10

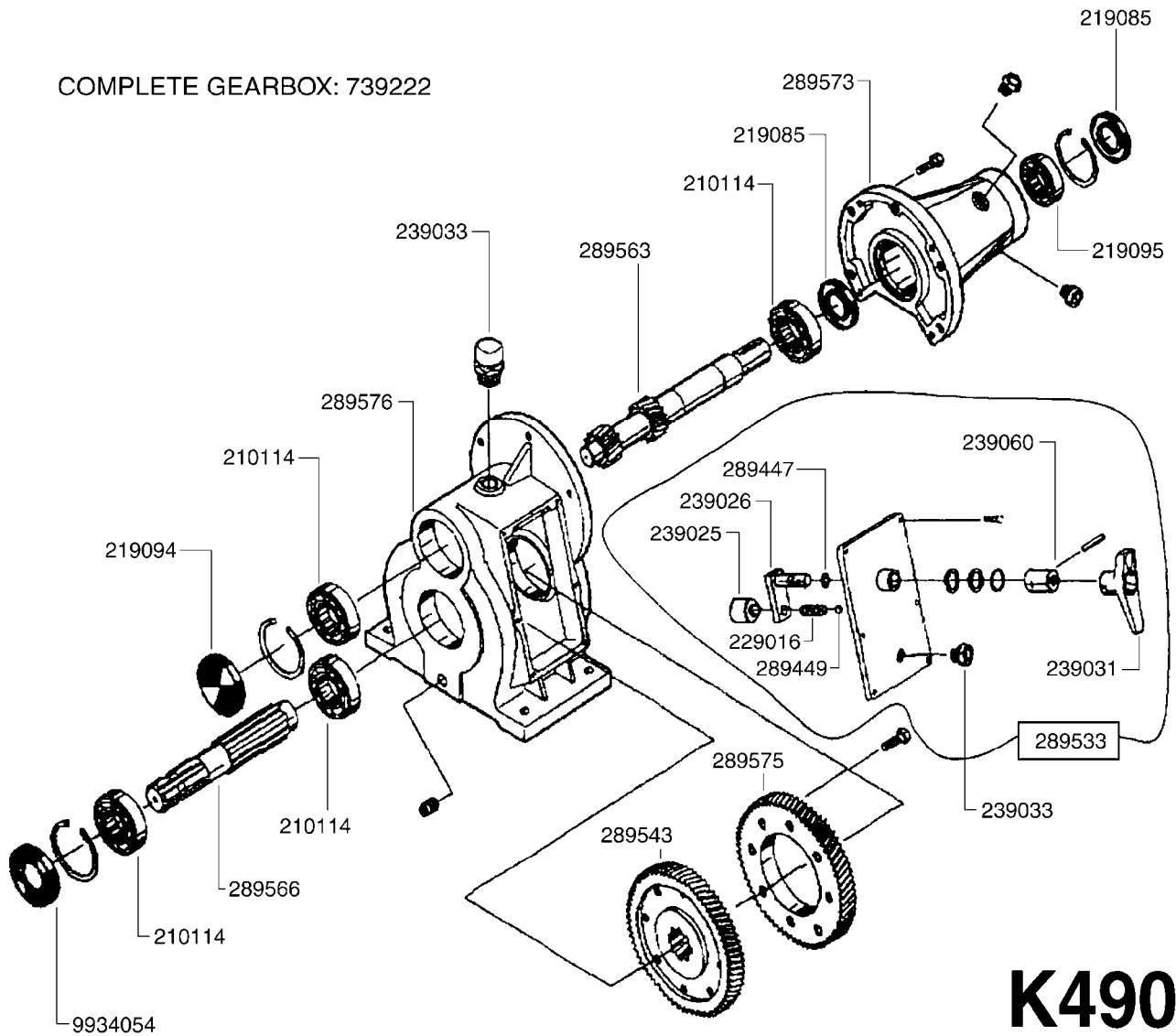
Page

0

Date

29.02.2012 11:02

COMPLETE GEARBOX: 739222



K490



MERCURY - 36" AXIAL GEARBOX
K490-HIN, 04:11:10

Page 1

Date 29.02.2012 11:02

| parts-n° | order qty | description |
|----------|-----------|------------------------------|
| 210114 | 1 | BEARING BALL 6308 |
| 219085 | 1 | OIL SEAL 40X80X10 BIMA M55 |
| 219094 | 1 | SEAL BLIND 90 X 10 |
| 219095 | 1 | BALL BEARING 2208 MP |
| 229016 | 1 | SPRING 16X7.8X1 F. 289533 |
| 239025 | 1 | BLOCK F.LEVER GEARBOX |
| 239026 | 1 | LIFTER F.GEAR BOX |
| 239031 | 1 | HANDLE F.GEARBOX |
| 239033 | 1 | OIL LEVEL GLASS |
| 239060 | 1 | BUSHING F.HANDLE GEARBOX |
| 289447 | 1 | O-RING F.GEAR BOX |
| 289449 | 1 | BALL 5/16" M10 |
| 289533 | 1 | COVER&HANDLE ASSY.F.M55 |
| 289543 | 1 | TOOTHWHEEL F/ GEARBOX |
| 289563 | 1 | SHAFT |
| 289566 | 1 | SHAFT SPLINED F.GEAR BOX M55 |
| 289573 | 1 | EXTENSION |
| 289575 | 1 | GEAR |
| 289576 | 1 | HOUSING |
| 739222 | 1 | GEAR BOX M55 |
| 9934054 | 1 | OIL SEALING RING 40X90X10 |