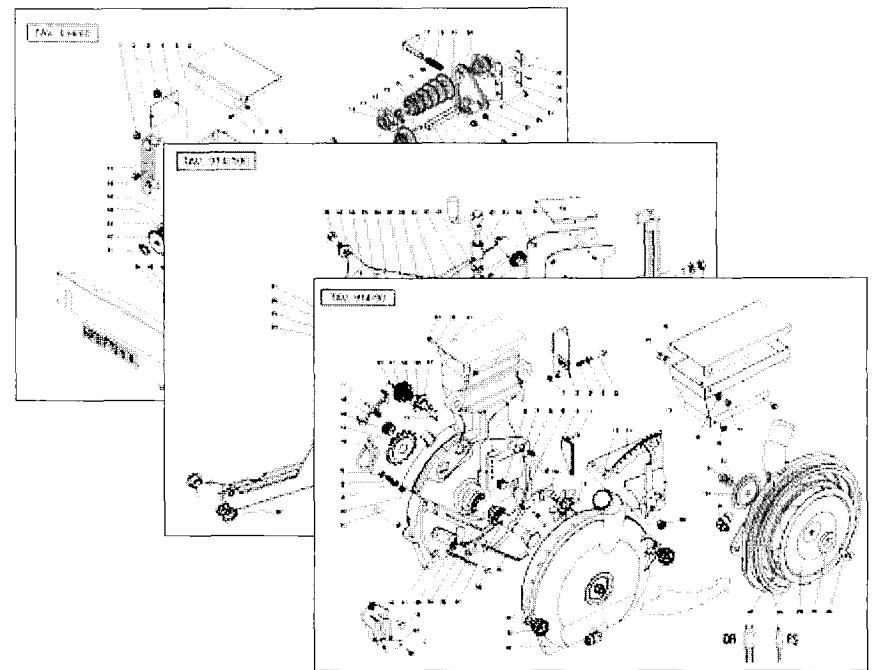


# **GASPARDO**

**MASCHIO GASPARDO S.p.A.**

# **OLIMPIA ORIETTA-C**



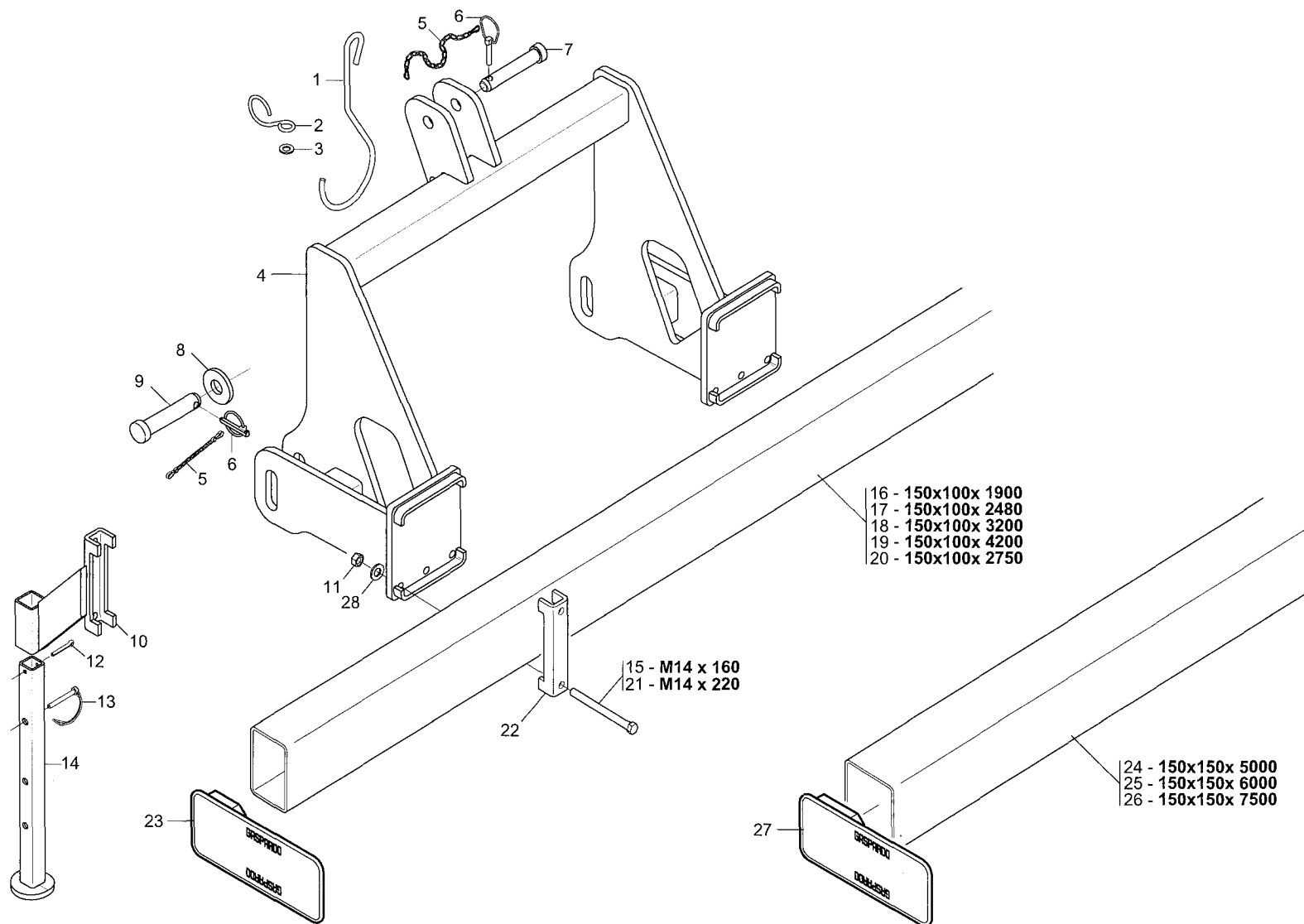
**Cod: G19530932 2011-08**

- \*) Valido per Paesi UE
- \*) Valid for EU member countries
- \*) Valable dans les Pays UE
- \*) Gilt für EU-Mitgliedsländer
- \*) Válido para Países UE

- IT** PARTI DI RICAMBIO
- EN** SPARE PARTS
- DE** ERSATZTEILE
- FR** *PIECES DÉTACHÉES*
- ES** PIEZAS DE REPUESTO



TAV. 011



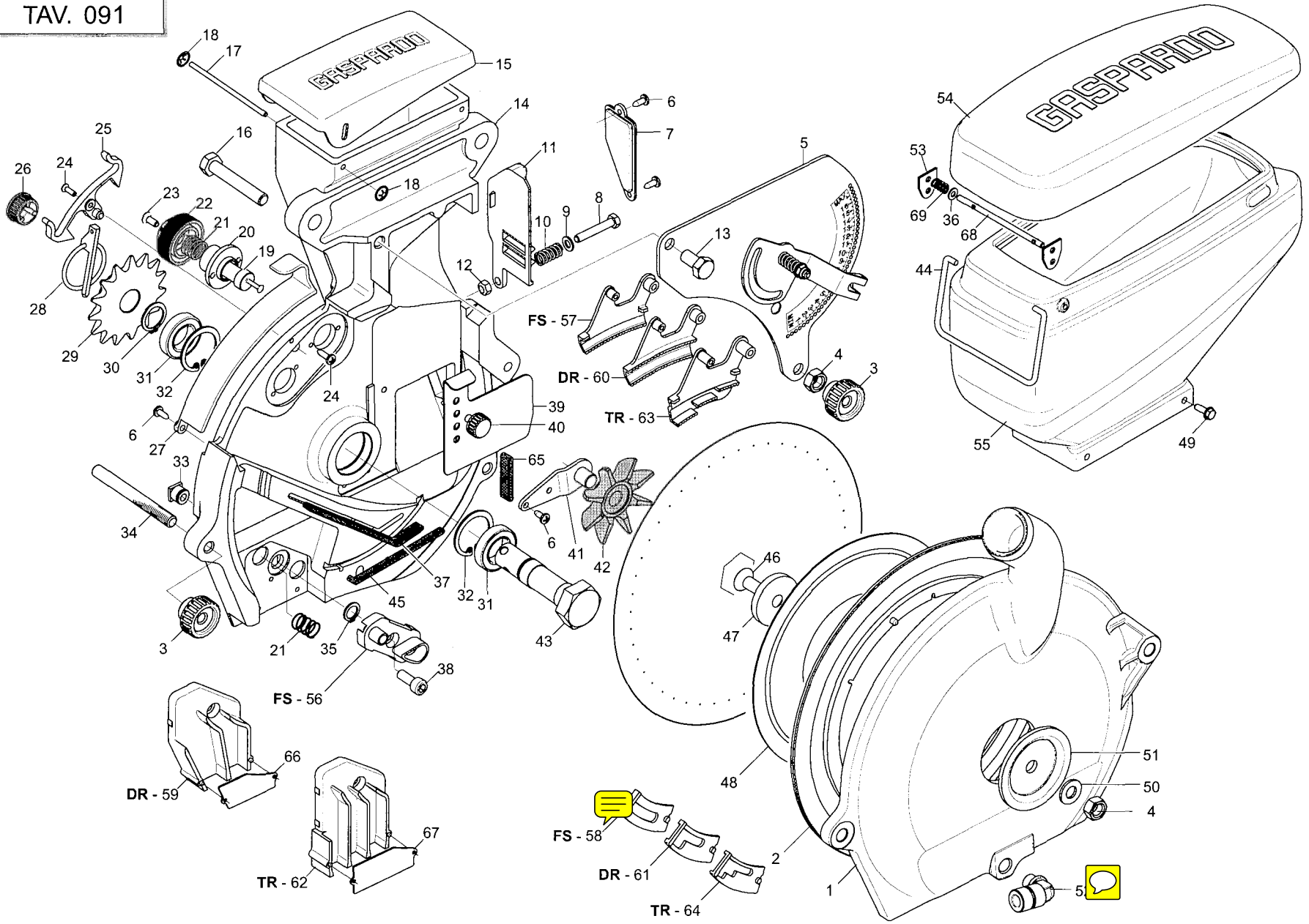


**TELAIO ED ATTACCO TERZO PUNTO**
**TAV. 011**

Pos.	Cod.	Descrizione	Description	Description	Benennung	Description
1	F20120400	GANCIO SOSTEGNO CARDANO	SHAFT HOOK SUPPORT	SUPPORT CARDAN	GELENKWELLE - HACKEN	SOPORTE CARDAN
2	G65336004	MOLLA SPEC.ZN AGG.SEMINAT. SP	SPEC SPRING- ZN ADD. SEEDER SP	RESSORT SPEC. ZN ATTACHE SEME	SPEZIALFEDER ZN SZELEM. KUPPL.	MUELLE ESPEC. ZN CONEX. SEMBRA
3	F01410088	ROS.M14 15X 28X2,5 U6592 ZN	WAS.M14 15X 28X2,5 U6592 ZB	RON.M14 15X 28X2,5 U6592 ZB	SCH.M14 15X 28X2,5 U6592 ZB	ARA.M14 15X 28X2,5 U6592 ZB
4	G16610462	ASS.TERZO PUNTO 2 CATEGORIA				
5	G13812311	CATENELLA CON MOSCHETTONE	CHAIN WITH SPRING CATCH	CHAINETTE AVEC MOUSQUETON	KETTE MIT KARABINERHAKEN	CADENA CON GANCHO
6	F02200507	SPINA SCATTO D. 9 B/83 ZN	SNAP PIN D9 B/83 ZN	FICHE A DETENTE D9 B/83 ZN	EINRASTSTIFT D9 B/83 ZN	CLAVIJA DE MUELLE D9 B/83 ZN
7	F20100133	PERNO D25 L122 C43 ZN	PIN D25 L122 C43 ZN	BOULON D25 L122 C43 ZN	BOLZEN D25 L122 C43 ZN	PERNO D25 L122 C43 ZN
8	G20970120	RONDELLA 70X8X28,5	WASHER 70X8X28-5	RONDELLE 70X8X28-5	UNTERLEGSCHEIBE 70X8X28-5	ARANDELA 70X8X28-5
9	F20100136	>PERNO D28 L109 C43 ZN	BOLT D28 L109 C43 ZN	BOULON D28 L109 C43 ZN	BOLTZEN D28 L109 C43 ZN	PERNO D28 L109 C43 ZN
10	G15112711	SUPPORTO PUNTELLO	PROP SUPPORT	SUPPORT ETRESILLON	STStZLAGER	STStZLAGER
11	F01200306	DADO M14X 2 U5588 6.8 ZN	NUT M14X2	ECROU M14X2	MUTTER M14X2	DADO M14X2
12	F02200246	COPIGLIA 6X 45 U1336 ZN	PIN 6 X45 U1336 ZN	GOUPILLE 6 X45 U1336 ZN	SPLINT 6 X45 U1336 ZN	CLAVIJA 6 X45 U1336 ZN
13	F02200584	SPINA SICUR. D. 12X70 ZN	PIN D12 L70 ZN	FICHE D12 L70 ZN	STIFT D12 L70 ZN	CLAVIJA D12 L70 ZN
14	G10710032	PUNTELLO	PROP	ETRESILLON	STStZE	PUNTAL
15	F01020225	VITE M14X2X160 U5737 8.8 BR	SCREW M 14 X160 5737 8.G	VIS M 14 X160 5737 8.G	SCHRAUBE M 14 X160 5737 8.G	TORNILLO M 14 X160 5737 8.G
16	G16610040	TUBO RET.150X100X1900	RECTANGULAR PIPE 150X100X1900	TUBE RECTANGULAIRE 150X100X190	RECHTECK.ROHR150X100X1900	TUBO RECT.150X100X1900
17	G16610050	TUBO R.150X100X2480	RECTANGULAR PIPE 150X100X2480	TUBE RECT.150X100X6X2480	R. ROHR150X100X6X2480	TUBO RECT.150X100X6X2480
18	G14217400	TUBO TELAIO 150X100X3200	FRAME PIPE 150X100X3200	TUBE BATI 150X100X3200	ROHR RAHMEN 150X100X3200	TUBO BASTIDOR 150X100X3200
19	G16610070	TUBO R.150X100X4200	RECTANGULAR PIPE 150X100X4200	TUBE RECT.150X100X4200	R. ROHR150X100X4200	TUBO RECT.150X100X4200
20	G16610080	TUBO R.150X100X6X2750	RECTANGULAR PIPE 150X100X6X275	TUBE RECT.150X100X6X2750	R. ROHR150X100X6X2750	TUBO RECT.150X100X6X2750
21	F01020236	VITE M14X2X220 U5737 8.8 BR	SCREW M14X2X220 U5737 8.8 BR	VIS M14X2X220 U5737 8.8 BR	SCHRAUBE M14X2X220 U5737 8.8	TORNILLO M14X2X220 U5737 8.8
22	G15110091	SCONTRIO A U	STRIKER	BRIDE 150 MM	ANSCHLAG	ELEMENTO DE EMPALME
23	G16610110	TAPPO TELAIO 150X100 COMPL.	COMPL. FRAME PLUG 150X100 B319	BOUCHON CH-SSIS 150X100 COMPL.	PFROPFEN RAHMEN 150X100 KOMPL.	TAPÉN BASTIDOR 150X100 COMPL.
24	G15210690	TUBO TELAIO FISSO 150X5000	FIXED FRAME PIPE 150X5000	PIPE BATI FIXE 150X5000	ROHR FIXER RAHMEN 150X5000	TUBO BASTIDOR FIJO 150X5000
25	G15210740	TUBO TELAIO FISSO 150X6000	FIXED FRAME PIPE 150X6000	TUBE BATI FIXE 150X6000	ROHR FIXER RAHMEN 150X6000	TUBO BASTIDOR FIJO 150X6000
26	G15211790	TUBO TELAIO FISSO L.7500 Q.150	FIXED FRAME PIPE L.7500 Q.150	TUBE BATI FIXE L.7500 Q.150	ROHR FIXER RAHMEN L.7500 Q.150	TUBO BASTIDOR FIJO L.7500 Q150
27	G19003000	TAPPO PER TELAIO 150	CAP FOR FRAME 150	BOUCHON POUR BATI 150	PFROPFEN FOR RAHMEN 150	TAPON PARA BASTIDOR 150
28	G20970142	RONDELLA 32X4X15.5	WASHER 32X4X15-5	RONDELLE 32X4X15-5	UNTERLEGSCHEIBE 32X4X15-5	ARANDELA 32X4X15-5



TAV. 091



**DISTRIBUTORE SEMI**

**TAV. 091**

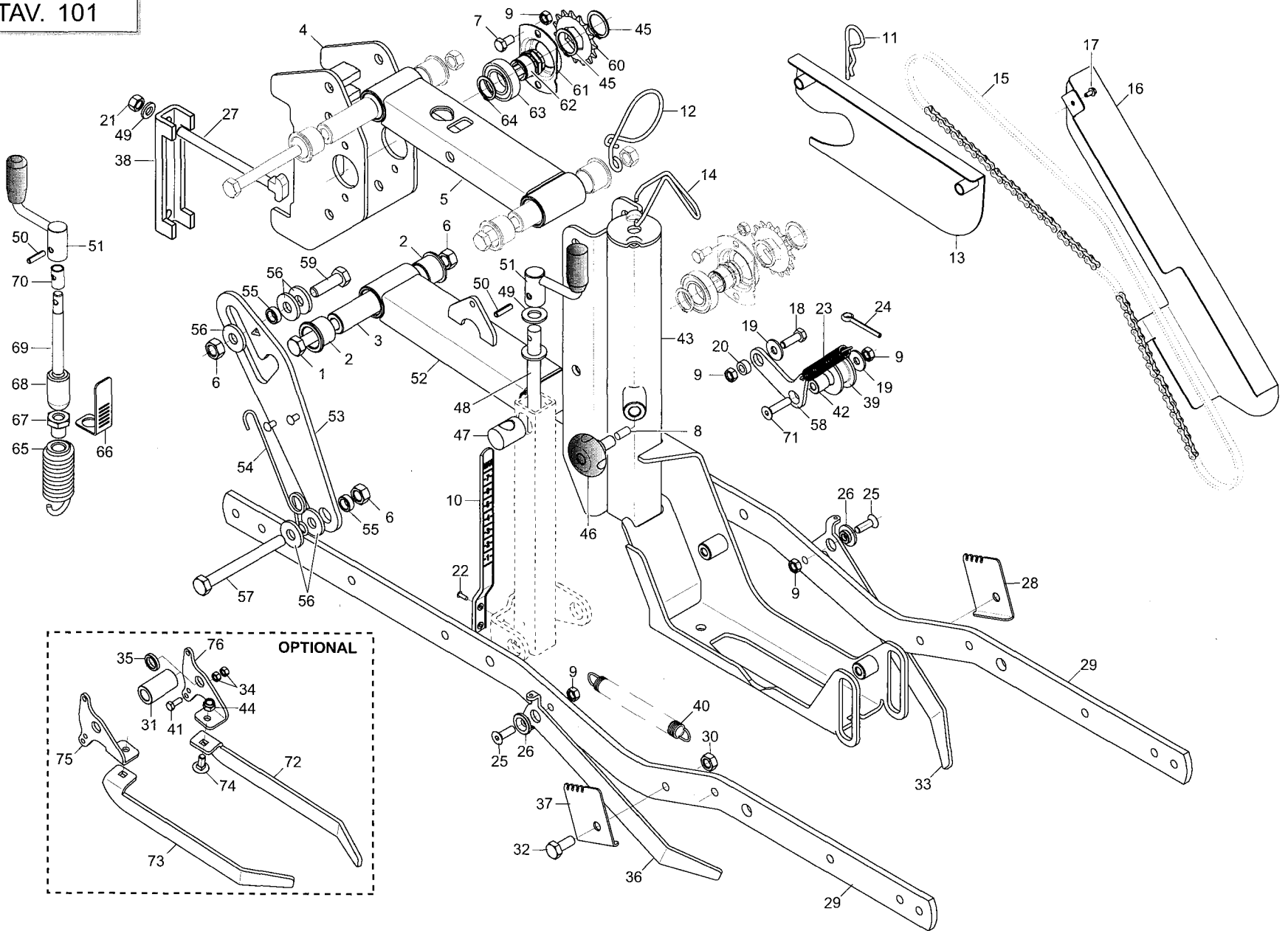
Pos.	Cod.	Descrizione	Description	Description	Benennung	Description
1	G15826062	COPERCHIO CORPO DISTR.R1"LAV."				
2	G19005920	GUARNIZIONE COPERCHIO				EMPAQUES DE CUBIERTA
3	F06220037	VOLANTINO ZIGR.D.26-M8 FEM				FOLLETO ZIGR.D.26-M8
4	F01200244	DADO M 8X1,25 U5588 6.8 ZN	NUT M8 X1,25 U5588 6.8 ZN	ECROU M8 X1,25 U5588 6.8 ZN	MUTTER M8 X1,25 U5588 6.8 ZN	TUERCA M8 X1,25 U5588 6.8 ZN
5	G15829600	GRUPPO SELETTORE COMPL				
6	F01070047	VITE M3,5X1,34X9,5 U6954 4.8NI	BOLT 3-5X 9-5 DIN 7981	VIS 3-5X 9-5 DIN 7981	SCHRAUBE 3-5X 9-5 DIN 7981	TORNILLO 3-5X 9-5 DIN 7981
7	G19004640	FINESTRA LIVELLO SEME "R"	SEED LEVEL OPENING "R"	FENETRE DE NIVEAU DES GRAINES	SAMENINSPEKTIONSFENSTER "R"	VENTANA DE NIVEL SEMILLAS
8	F01020383	VITE M5X0,8X30 U5739 8.8 ZN	SCREW M5X 0,8X 30 U5739 8.8 ZN	VIS 5X30 5739 8.G ZN	SCHRAUBE 5X30 5739 8.G ZN	TORNILLO 5X30 5739 8.G ZN
9	F01410023	ROS.M5 5,3X 10X 1 U6592 ZN	WASHER D5 UNI 6592 ZN	RONDELLE D5 UNI 6592 ZN	UNTERLEGSCHLEIBE D5 UNI 6592 ZN	ARANDELA D5 UNI 6592 ZN
10	G18904240	MOLLA APERTURA PORTA CONTROLLO	SPRING	RESSORT	FEDER	MUELLE
11	G19004880	FINESTRA DISTRIBUTORE	DISTRIBUTOR OPENING	FENETRE DISTRIBUTEUR	VERTEILERFENSTER	VENTANA DISTRIBUIDOR
12	F01230019	DADO M 5X 0,8 D982 8 ZN	NORM.SELF-LOCKING NUT 5 GALVAN	ECROU AUTOB.NOR.5 ZN	SELBSTSP. MUTTER NOR.5 ZN	TUERCA AUTOB. NOR. 5 ZN
13	F01020429	VITE M 8X1,25X14 U5739* 8.8 ZN	BOLT 8X14 5739 8.G GALVANIZ.	VIS 8X14 5739 8.G ZN	SCHRAUBE 8X14 5739 8.G ZN	TORNILLO 8X14 5739 8.G ZN
14	G15826052	CORPO DISTRIBUTORE R1 "LAVOR."				
15	G19005610	COPERCHIO TRAMOGGIA DISTRIBUT.	SEED DISTRIBUTOR COVER			
16	F01020452	VITE M 8X1,25X50 U5739 8.8 ZN	SCREW M8X1,25X50 U5739 8.8 ZN	VIS M8X1,25X50 U5739 8.8 ZN	SCHRA. M8X1,25X50 U5739 8.8 ZN	TORN. M8X1,25X50 U5739 8.8 ZN
17	G15828220	PERNO COPERCHIO DISTRIB. ZN	DISTRIBUTOR COVER PIN	PIVOT COUVERCLE DISTRIBUTEUR	BOLZEN DECKEL SZAPPARAT	PERNO TAPA DISTRIBUDOR
18	F02050649	FISSATORE ELAST.ALBERO D.3 S.S	D.3 S.S ELASTIC SHAFT FASTENE	FIXATEUR ELAST. ARBRE D.3 S.S	WELLE, ELASTISCHE BEFESTIGUNG	FIJADOR EL-STICO -RBOL D.3.S.S
19	G22250145	PUNTA SELETTORE ECCENTRICO SV				SELECTOR EXCENTRICO SV
20	G15825840	SUPPORTO SELETTORE SEM.ORTAG.				
21	G18901220	MOLLA COMP. SELETT. ECCEN. SV				
22	G19002121	POMELLO GRADUATO SELETT. ECC. SV				
23	F01030011	VITE M4X0,7X10 U5933 10.9 ZD				
24	F01070049	VITE M3,5X1,27X13 U6954 4.8NI	BOLT 3,5X1,27X 13 6954 4.8NI	VIS 3,5X1,27X 13 6954 4.8NI	SCHRAUBE 3.5X1.27X 13 6954 4.8	TORNILLO 3.5X1.27X 13 6954 4.8
25	G19004580	SCATTO SELETTORE DR "R"				
26	F05100190	TAPPO FORO SELETTORE >	SELECTOR HOLE PLUG	BOUCHON TROU SELECTEUR	PFFROPFEN LOCHWZLER	TAPN AGUJERO SELECTOR
27	G19203870	PORTELLINO ISPEZIONE DISCO	DISC INSPECTION DOOR			
28	F02200463	SPINA SCATTO D. 5 B/81 ZN	SNAP PIN D5 B/81 ZN	FICHE A DETENTE D5 B/81 ZN	EINRASTSTIFT D5 B/81 ZN	CLAVIJA DE MUELLE D5 B/81 ZN
29	G15827421	INGRANAGGIO Z.15 COMPL.				
30	F02050056	ANELLO E. DE 17X 1 U7435 C70	SEEGER RING E. 17X 1 U7435 C70	SEEGER E. 17 X 1 U7435 C70	SEEGERING E. 17X 1 U7435 C70	INEL E 17X 1 U7435 C70
31	F04010308	CUSC.D17 D30 B7 61903 2RS1>	BEARING 61903-2RS1	PALIER 61903-2RS1	LAGER 61903-2RS1	COJINETE 61903-2RS1
32	F02050293	ANELLO E. DI 30X 1,2 U7437 C70	SEEGER RING 30X1,2 U7437 C70	SEEGER E. 30X 1,2 U7437 C70	SEEGERING E. 30X 1,2 U7437 C70	ANILLO E. 30 X1,2 U7437 C70
33	G15829490	PERNO ESPULSORE				
34	G10521111	PRIGIONIERO CORPO DISTR.	DISTR. CASING STUD BOLT. SV	PRISONNIER CORPS DISTRIB.	STIFTSCHRAUBE SZAPPARATKTRPER	TIRANTE CUERPO DISTR.
35	F02050651	ANELLO E. DE 10X 1 U7435 C70	SEEGER RING ARR. 10 U7435-75	SEEGERING ARR. 10 UNI 7435-75	ANILLO ARR.10 UNI 7435-75	ANILLO ARR.10 UNI 7435-75
36	F01410011	ROS.M4 4,3X 9X0,8 U6592 ZN	PLANE WASHER 4,5X 9 6592	RONDELLE 4,5X 9 6592	SCHEIBE 4,5X 9 6592	ARANDELA 4,5X 9 6592
37	G19004650	GUARNIZIONE SEME "R"	SEED SEAL "R"	GARNITURE GRAINES "R"	SAMEN DIICHTUNG "R"	JUNTA SEMILLAS "R"
38	F01040060	VITE M6X1X14 U5931 8.8 ZN	BOLT 6X14 5931 8.G GALVANIZED	VIS 6X14 5931 8.G ZN	SCHRAUBE 6X14 5931 8.G ZN	TORNILLO 6X14 5931 8.G ZN
39	G15826040	PORTELLINO ALIMENTAZIONE	POWER FLAP	PORTILLON ALIMENTATION	ZUF_HRUNGSDECKEL	REGISTRO ALIMENTACION
40	F06220036	VOLANTINO ZIGR. D.15-M5 X10 >	KNURLED FLYWHEEL D.15-M5 X10	VOLANT CANNEL+ D.15-M5 X10	GER-ND. HANDRAD D.15-M5 X10	VOLANTE ESTR. D.15-M5 X10
41	G10521094	SUPPORTO AGITATORE ORIETTA	AGITATOR SUPPORT ORIETTA			
42	G15828430	ASS.AGITATORE R				
43	G15828391	TRASCINATORE DISCO ZN				
44	G15882120	CERNIERA COPERCHIO IX				
45	G19005620	GUARNIZIONE CAVA DISCO "R"	GASKET FOR DISC R			
46	F01030055	VITE M 8X1,25X20 U5933 10.9 ZD	SCREW M8X1,25X20 U5933 10.9 ZD	VIS M 8X20	SCHRAUBE M 8X20	TORNILLO M 8X20
47	G18701890	RONDELLA D.8,5 SVASATA ZN.	FLARED WASHER D.8.5 ZN.	RONDELLE D.8,5 +VAS+E ZN.	F-CHERSCHLEIBE D.8,5 ZN.	ARANDELA 1 8,5 ABOCINADA ZN.
48	G15828290	CAPPELLOTTA TENUTA GUARNIZ.DR				
49	F01070078	VITE M4,2X1,41X13 U6950 4.8ZN	SELFTHREADING BOLT 4,2X13 TE	VIS AUTOTARADEUSE.4-2X13 TE	SELBSTSCHNEID. SCHRAUBE 4-2X13	TORNILLO AUTOR.4-2X13 TE
50	F01430059	ROS.M8 8,4X 15X0,8 U8842J ZN	WASHER M8 8,4X15X0,8 U8842J ZN	ROND. M8 8,4X 15X0,8 U8842J ZN	SCHLEIBE M8 8,4X15X0,8 U8842JZN	ARAND. M8 8,4X15X0,8 U8842J ZN
51	F16620470	TAPPO CENTRALE H=7,5	CENTRAL PLUG H=7.5	BOUCHON CENTRAL H=7,5	ZENTRALER PFFROPFEN H=7,5	TAPEN CENTRAL H=7,5
52	F03151196	RACC. SUPERAPIDO 90° 1/8G-8				
53	G15882430	PIASTA RINF.COPERCHIO TRAM. IX				
54	G19006100	COPERCHIO				
55	G19006090	RIALZO TRAMOGGIA				
56	G19004891	ESPULSORE SEME FS ORIETTA	SEED EJECTOR SR ORIETTA			
57	G19005530	PATTINO SELETTORE FS				
58	G19005930	TASSELLO FS				ANCLA FS
59	G19005022	ESPULSORE SEME DR ORIETTA	SEED EMISSION DR ORIETTA			
60	GA5820110	PATTINO SELETTORE DR LAV.				
61	G19005940	TASSELLO DR	CAP DOUBLE ROW			
62	G19005880	ESPULSORE SEME 3F				
63	G19005550	PATTINO SELETTORE 3F				
64	G19005950	TASSELLO TR				
65	G19006350	PATTINO DISCO				
66	G15881540	CARTERINO ESPULSORE DR				
67	G15881550	CARTERINO ESPULSORE TR				
68	G15882540	ASSE FISS.COPERCHIO RIALZO IX				
69	G65338044	MOLLA COMP.ZN PRESS. SELETT. SV	ZN SELCT. PRESS. COMP. SPRING	RESSORT COMPL. ZN PRESS. SELEC	DRUCKFEDER ZN WZHLERDRUCK SV	MUELLE COMP.ZN PRES. SELECT. S

cod. G19530932

**GASPARDO**



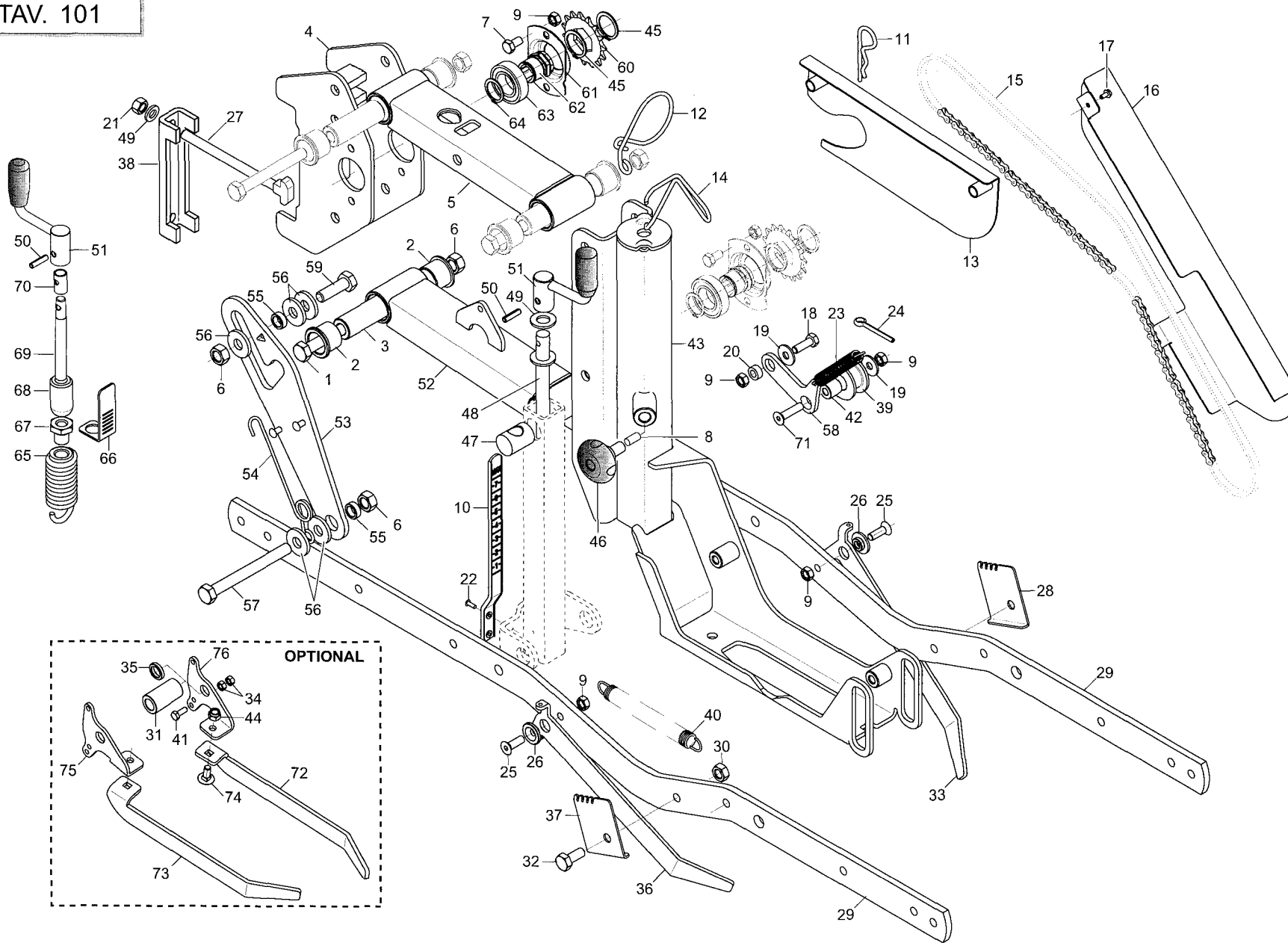
TAV. 101



## TELAIO ELEMENTO

Pos.	Cod.	Descrizione	Description	Description	Benennung	Descrpcion
1	F01020170	VITE M12X1,75X100 5737 8.8 ZN	SCREW M12X1,75X100 5737 8.8 ZN	VIS M12X1,75X100 5737 8.8 ZN	SCHRA.M12X1,75X100 5737 8.8 ZN	TORN. M12X1,75X100 5737 8.8 ZN
2	G66349003	BOCCOLA SINT.	BUSHING- SINTERED	BOITE FRITTEE	SYNTH. BUECHSE	CASQUILLO SINT.
3	G22250405	PERNO BRACCIO INFERIORE SV/2	PIN- LOWER ARM SV/2	PIVOT BRAS INF. SV/2	ZAPFEN UNTERER ARM SV/2	PERNO BRAZO INFERIOR SV/2
4	G15828250	ATTACCO TELAIO	FRAME COUPLING	FIXATION BATI	KUPPLUNG RAHMEN	CONEXIN BASTIDOR
5	G15827900	BRACCIO SUP.PARALLELOGRAMMA				
6	F01220048	DADO M12X1,75 D980 8 ZN	NUT M12X1,75 D980 8 ZN	ECROU M12X1,75 D980 8 ZN	SCHEIBE M12X1,75 D980 8 ZN	TUERCA M12X1,75 D980 8 ZN
7	F01020432	VITE M 8X1,25X16 U5739 8.8 ZN	SCREW M8X 1.25X16 U5739 8.8 ZN	VIS M 8X16	SCHRAUBE M 8X16	TORNILLO M 8X16
8	G14820991	FERMO REGOLAZIONE	ADJUSTMENT STOP	BUTEE REGLAGE	EINSTELLUNGSSPERRE	BLOQUEO REGULACIÉN
9	F01200244	DADO M 8X1,25 U5588 6.8 ZN	NUT M8 X1,25 U5588 6.8 ZN	ECROU M8 X1,25 U5588 6.8 ZN	MUTTER M8 X1,25 U5588 6.8 ZN	TUERCA M8 X1,25 U5588 6.8 ZN
10	G19003400	ASTA INDICAZIONE PROFONDITA'	DEPTH INDICATING ROD	TIGE INDICATION PROFONDEUR	TIEFENANZEIGESTAB	VARILLA INDICACIÓN PROFUNDIDAD
11	F02200363	COPIGLIA R 3X 62 ZN	SPRING SPLIT PIN 3X 62 ZN	GOUPILLE R 3X62	SPLINT R 3X62	CHAVETA R 3X62
12	G18903140	MOLLA GUIDATUBO	PIPE GUIDE SUPPORT	RESSORT GUIDE-TUBE	FEDER ROHRFSHRUNG	MUELLE GUA TUBOS A
13	G15827930	CARTER ANT.				
14	G65336100	MOLLA SPEC.FERMO MANIGLIA SP	SPEC SPRING HANDLE STOP SP	RESSORT SPEC. ARRET POIGNEE SP	SPEZIALFEDER GRIFFSPERRE SP	MUELLE ESPEC. BLOQUEO MANIJA S
15	F06080223	SP.CAT.1/2-3/16 108M.ISO 083-1				
16	G15881270	CARTER LATERALE				
17	F01070011	VITE M4,2X1,41X9,5 U6950 4.8NI	BOLT- SELF-TAPPING 4-2X9-5T.E.	VIS AUTOTAR. 4-2X9-5 T. E. COU	SELBSTSCHNEID. SCHRAUBE 4-2X9-5	TORNILLO AUTORROSC. 4-2X9-5
18	F01020440	VITE M 8X1,25X25 U5739 8.8 ZN	BOLT M8X1,25X25 U5739 8.8 ZN	VIS M8X1,25X25 U5739 8.8 ZN	SCHRA. M8X1,25X25 U5739 8.8 ZN	TORNIL.M8X1,25X25 U5739 8.8 ZN
19	F01420048	ROS.M8 8,4X 24X 2 U6593 ZN	WASHER M8 8,4X 24X 2 U6593 ZN	RONDELLE M8 8,4X 24X2 U6593 ZN	SCHEIBE M8 8,4X 24X 2 U6593 ZN	ARANDELA M8 8,4X 24X2 U6593 ZN
20	G20980050	BOCCOLA 15X7X8,5 ZN	BUSHING 15X7X8-5 ZN	BOITE 15X7X8-5 ZN	BsCHSE 15X7X8-5 ZN	CASQUILLO 15X7X8-5 ZN
21	F01200306	DADO M14X 2 U5588 6.8 ZN	NUT M14X2	ECROU M14X2	MUTTER M14X2	DADO M14X2
22	F02250077	RIVETTO STR. 3X 14 U9200A AL	3X14 ALUMINIUM PULL RIVET	RIVET A RUPTURE 3X14 ALUMINIUM	REISSNIETE3X14 ALL.	REMACHE DESGAR. 3X14 ALL.
23	G65337035	MOLLA TENDICATENA RUOTA DP				
24	F02200165	COPIGLIA 3X 35 U1336 ZN	SPLIT PIN 3 X35 1336 GALVAN.	GOUPILLE 3 X 35 1336 ZN	SPLINT 3 X35 1336 ZN	RESORTE TENSION CADENA DE RUED
25	F01030056	VITE M 8X1,25X25 U5933 10.9 ZD	BOLT 8X25 5933 10.9 GALVANIZED	VIS 8X25 5933 10.9 ZN	SCHRAUBE 8X25 5933 10.9 ZN	TORNILLO 8X25 5933 10.9 ZN
26	G15821110	BOCCOLA SUPPORTO COPRISEME	SEED COVER SUPP. BUSHING	BOITE SUPPORT COUVRE-SEMENCE	BsCHSE SAMENABDECKERHALTER.	CASQUILLO SOPORTE CUBRESEMILLA
27	G16610010	VITE A MARTELLO M14X165	WINGED SCREW M14X165	VIS A TETE MARTEAU M14X165	ZWEIFLÜGEL- SCHRAUBEN M14X165	TORNILLO DE MARIPOSA M14X165
28	G15829970	ATTACCO DX MOLLA COPRISEME				
29	G15829820	BRACCIO BILANCIERE				
30	F01200270	DADO M10X 1,5 U5588 6.8 ZN	NUT M10X 1,5 U5588 6.8 ZN	ECROU M10X 1,5 U5588 6.8 ZN	MUTTER M10X 1,5 U5588 6.8 ZN	TUERCA M10X 1,5 U5588 6.8 ZN
31	G19006460	DISTANZIALE D15-25X45				
32	F01020472	VITE M10X1,5X25 U5739 8.8 ZN	BOLT 10X25 5739 8.8 GALVANIZED	VIS 10X25 5739 8.8 ZN	SCHRAUBE 10X25 5739 8.8 ZN	TORNILLO 10X25 5739 8.8 ZN
33	G15881090	COPRISEME DX				
34	F01200232	DADO M 6X 1 U5588 6.8 ZN	NUT 6 UNI 5588 6.8 GALVANIZED	ECROU 6 UNI 5588 6.8 ZN	MUTTER 6 UNI 5588 6.8 ZN	TUERCA 6 UNI 5588 6.8 ZN
35	G19005300	DISTANZIALE 15X22X4,5				
36	G15881080	COPRISEME SX				
37	G15829960	ATTACCO SX MOLLA COPRISEME				
38	G15110091	SCONTRO A U	STRIKER	BRIDE 150 MM	ANSCHLAG	ELEMENTO DE EMPALME
39	G19005110	RULLO TENDICATENA				RODILLO TENSION CADENA
40	G18902520	MOLLA TRAZ.ZN RASCHIATERRA				RESORTE TRAZ.ZN RASTRILLO
41	F01020403	VITE M6X1X16 U5739 8.8 ZN	SCREW M6X1X16 U5739 8.8 ZN	VIS M6X1X16 U5739 8.8 ZN	SCHRAUBE M6X1X16 U5739 8.8 ZN	TORNILLO M6X1X16 U5739 8.8 ZN
42	G18801450	BOCCOLA 8,25 X18 X17	BUSHING 8,25 X 18 X 17	BOITE 8,25 X18 X17	BsCHSE 8,25 X18 X17	CASQUILLO 8,25 X18 X17
43	G15829790	ASS.TELAIETTO SEMINATORE				
44	F01230034	DADO M 8X1,25 D982 8	SELF LOCK.NUT M8X1,25 D982 8ZN	ECROU AUTOBL.M8X1,25 D982 8 ZN	SELBST.MUTT.M8X1,25 D982 8 ZN	TUERCA AUTO. M8X1,25 D982 8 ZN
45	F02050615	ANELLO E. DE 28X 1,5 U7435 C70	STOP RING 28 UNI 7435-75	BAGUE DE SERRAGE 28 UNI 7435-7	DRAHTSPRENGRING 28 UNI 7435-75	ANILLO PARADA 28 UNI 7435-75
46	F06220010	VOLANTINO 4 LOBI M12X25	8-LOBE HANDWHEEL M12X25	VOLANT 8 LOBES M12X25	HANDRAD 8 BUCKEL M12X25	VOLANTE 8 LOBI M12X25
47	G22230063	ELEMENTO ARTICOLATO	ARTICULATED ELEMENT	ELEMENT ARTICULE	GELENKELEMENT	ELEMENTO ARTICULADO
48	G22230062	VITE DI REGOLAZIONE	ADJUSTMENT BOLT	VIS DE REGLAGE	EINSTELLSCHRAUBE	TORNILLO DE REGULACIN S
49	F01410088	ROS.M14 15X 28X2,5 U6592 ZN	WAS.M14 15X 28X2,5 U6592 ZB	RON.M14 15X 28X2,5 U6592 ZB	SCH.M14 15X 28X2,5 U6592 ZB	ARA.M14 15X 28X2,5 U6592 ZB
50	F02100109	SPINA E.P. 6X 24 U6873 C70 BR	PIN EL. 6 X24 DIN 1481	FIGHE EL. 6 X24 DIN 1481	SPANNSTIFT 6 X24 DIN 1481	CLAVIJA EL. 6 X24 DIN 1481
51	G22270235	MANIGLIA REGOLAZIONE B4	ADJUSTMENT HANDLE B4	POIGNEE REGLAGE B4	EINSTELLGRIFF B4	MANIJA REGULACIN B4 M
52	G15827940	BRACCETTO INF.				
53	G15829681	ASTAAGGANCIO				
54	G18902880	MOLLA FERMO PARALLELO SP				
55	G20980082	BOCCOLA 18X7X12,25	BUSHING 18X7X12-25	BOITE 18X7X12-25	BsCHSE 18X7X12-25	CASQUILLO 18X7X12-25

TAV. 101



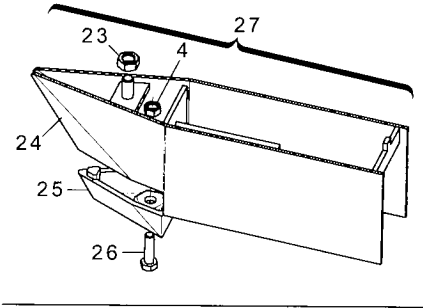
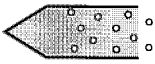
**TELAIO ELEMENTO**

**TAV. 101**

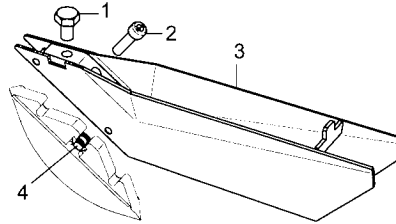
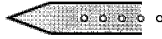
Pos.	Cod.	Descrizione	Description	Description	Benennung	Descripcion
56	G20970035	RONDELLA 32X4X13	WASHER 32X4X13	RONDELLE 32X4X13	UNTERLEGSCHNEIBE 32X4X13	ARANDELA 32X4X13
57	F01020174	VITE M12X1,75X120 5737 8.8 ZN				
58	G15881320	BRACCIO TENDICATENA				
59	F01020528	VITE M12X1,75X40 U5739 10.9 ZD	SCREW M12X1,75X40 U5739 10.9ZN	VIS M12X1,75X40 U5739 10.9 ZN	SCHR.M12X1,75X40 U5739 10.9 ZN	TORN.M12X1,75X40 U5739 10.9 ZN
60	G22250190	CORONA ASSE SEMINAT.Z-15 SV	PLANTING UNIT AXLE Z-15 RING G	COURONNE AXE SEMEUR Z-15 SV	KRANZ SZELEMENTACHSE Z-15 SV	CORONA EJE SEMBR. Z-15 SV
61	G15725030	SUPPORTO CUSCINETTO	BEARING SUPPORT	SUPPORT PALIER	LAGERHALTERUNG	SOPORTE COJINETE
62	G22250441	MOZZO CORONA SEMINATORE SV/2	PLANTING UNIT CROWN HUB SV/2	MOYEU COURONNE SEMEUR SV/2	KRANZNABE SZELEMENT SV/2	CUBO CORONA SEMBRADOR SV/2
63	F04010135	CUSC.D25 D47 B12 6005 2RS EX>	BEARING D25 D47 B12 6005 2RS	0	0	0
64	F02050101	ANELLO E. DE 25X 1,2 U7435 C70	SEEGER RING E. 25X1,2 7435 C70	SEEGER E. 25X 1,2 U7435 C70	SEEGERING E. 25X 1,2 U7435 C70	ANILLO E. 25X 1,2 U7435 C70
65	G15828660	ASS.MOLLA ALLEGGERIMENTO	LIGHTENING SPRING COUPLING	ASS. RESSORT ALLEGEMENT	ERLEICHTERUNGSFEDERKOMPLEX	CONJ. MUELLE DE ALIGERAMIENTO
66	G15829290	INDICE MOLLA PARALLELOGR. ZN				
67	G15220120	VITE REGOLAZIONE ZN	REGULATION BOLT	VIS RÉGLAGE ZN	STELLSCHRAUBE ZN	TORNILLO REGULACIÓN ZN
68	G15828760	BOCCOLA TENDITORE 14,00X25X 45	BUSHING- TIGHTENER	BOITE TENDEUR	BsCHSE SPANNER	CASQUILLO TENSOR
69	G22505063	VITE REGOL.RUOTE POSTERIORI	BOLT- REAR WHEEL ADJUSTM.	VIS REGLAGE ROUES ARRIERES	EINSTELLSCHRAUBE HINTERRZDER	TORNILLO REGUL. RUEDAS TRASERA
70	G22505061	BOCCOLA VITE DI REGOLAZIONE	BUSHING	BOITE VIS DE REGLAGE	BsCHSE EINSTELLSCHRAUBE	CASQUILLO TORNILLO DE REGULACI
71	F01030060	VITE M 8X1,25X35 U5933 10.9 ZD	SCREW M8X1,25X35 U5933 8.8 ZD	VIS 8X35 5933 8.8 ZN	SCHRAUBE 8X35 5933 8.8 ZN	TORNILLO 8X35 5933 8.8 ZN
72	G15829851	COPRISEME REGOLABILE SX				
73	G15829861	COPRISEME REGOLABILE DX				
74	F01060040	VITE M8X1,25X20 U5732 4.6 ZG	SCREW M8X1,25X20 U5732 4.6 ZN	VIS M8X1,25X20 U5732 4.6 ZN	SCHRA. M8X1,25X20 U5732 4.6 ZN	TORN. M8X1,25X20 U5732 4.6 ZN
75	G15882440	SUPP.DX COPRISEME REGOLABILE				
76	G15882450	SUPP.SX COPRISEME REGOLABILE				

TAV. 112

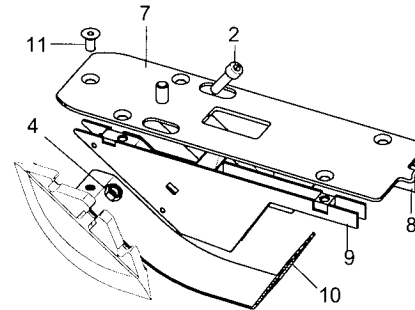
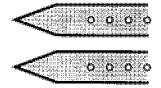
FS



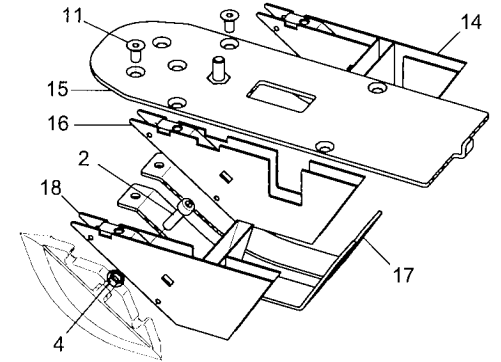
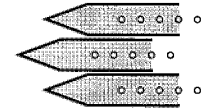
F



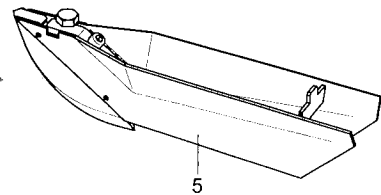
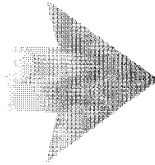
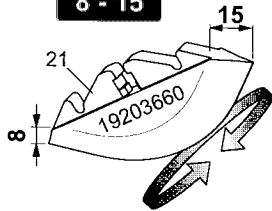
DR



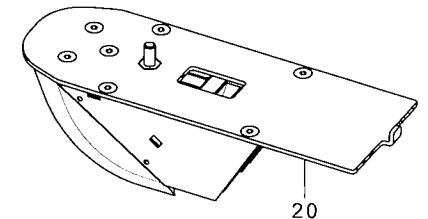
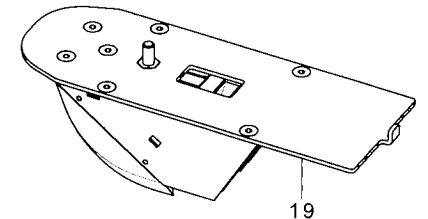
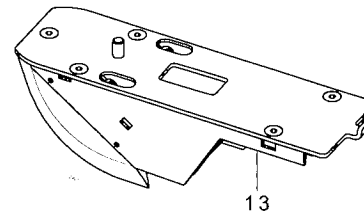
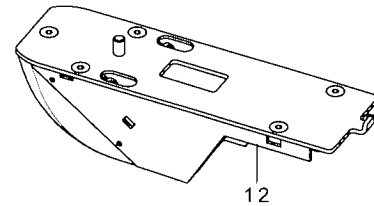
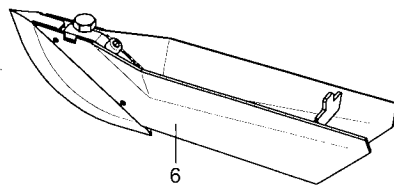
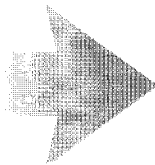
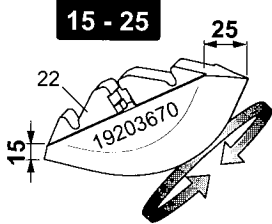
TR



8 - 15



15 - 25

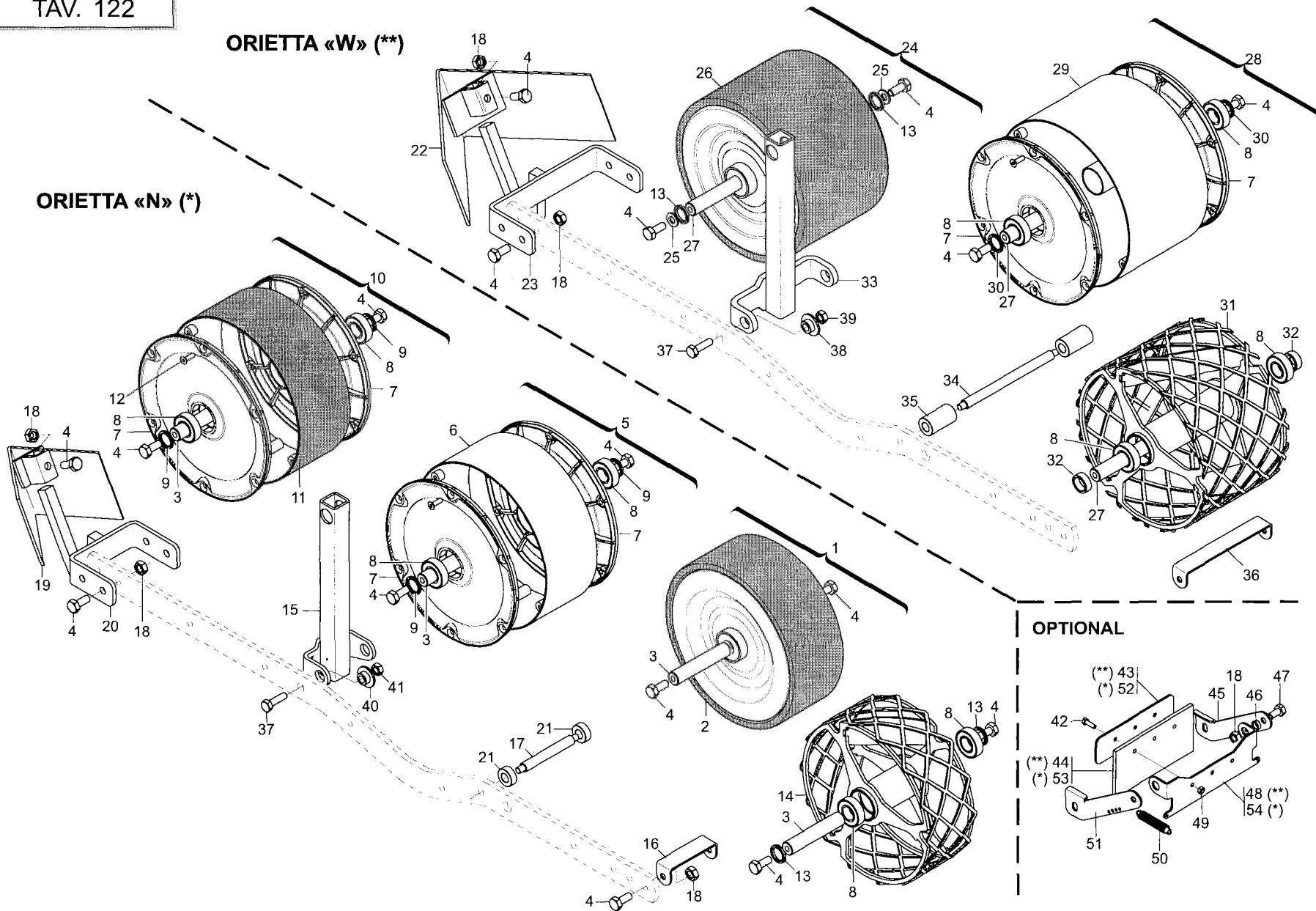


**FALCIONI ASSOLCATORI**
**TAV. 112**

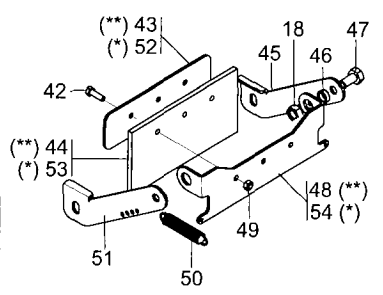
Pos.	Cod.	Descrizione	Description	Description	Benennung	Description
1	F01020468	VITE M10X1,5 X16 U5739 8.8 ZN	SCREW M10X1,5X16 U5739 8.8 ZN	VIS M10X1,5X16 U5739 8.8 ZN	SCHRA. M10X1,5X16 U5739 8.8 ZN	TORN. M10X1,5X16 U5739 8.8 ZN
2	F01040098	VITE M 8X1,25X30 U5931 8.8 BR	SCREW 8 X30 5931 8.G	VIS 8 X30 5931 8.G	SCHRAUBE 8 X30 5931 8.G	TORNILLO 8 X30 5931 8.G
3	G15828350	ASS.LAMIERE FALCIONE FS-03	COULTER SHEET ASS. FS-03	GR. T+LES SOC FS-03	BLECHE S-SCHAR FS-03	CONJ. CHAPAS BOTA FS-03
4	F01200244	DADO M 8X1,25 U5588 6.8 ZN	NUT M8 X1,25 U5588 6.8 ZN	ECROU M8 X1,25 U5588 6.8 ZN	MUTTER M8 X1,25 U5588 6.8 ZN	TUERCA M8 X1,25 U5588 6.8 ZN
5	G15828400	FALCIONE FILA SINGOLA H14	H14 SINGLE ROW COULTER	HACHOIR RANG SIMPLE H14	EINZELREIHENS-SCHAR H 14	ARADO FILA SENCILLA H14
6	G15828410	FALCIONE FS-03 H14/25	FS-03 H14/25 COULTER	HACHOIR TRANSMISSION-03 H14/25	S-SCHAR FS-03 H14/25	ARADO FS-03 H14/25
7	G15881601	SUPPORTO FALCIONE DR7 '11				
8	G15881620	ASS.RIGA DX.FALCIONE DR '06	RIGHT CUTTER LINE ASS. DR	GR. REGLE DROITE DE HACHOIR D	STAB RE SZSCHAR DR	CONJ. VARILLA DER. GUADA#ADORA
9	G15881610	ASS.RIGA SX.FALCIONE DR '06	LEFT CUTTER LINE ASS. DR	GR. REGLE GAUCHE DE HACHOIR D	STAB LI SZSCHAR DR	CONJ. VARILLA IZQ. GUADA#ADORA
10	G15881630	ASS.SLITTA FALCIONE DR7 '06				
11	F01030054	VITE M 8X1,25X16 U5933 10.9 ZD	BOLT 8X16 UNI5933 10.9 GALVANI	VIS 8X16 UNI 5933 10.9 ZN	SCHRAUBE 8X16 UNI 5933 10.9 ZN	TORNILLO 8X16 UNI 5933 10.9 ZN
12	G15881691	FALCIONE DR7 H08/15 '11 COMPL				
13	G15881591	FALCIONE DR7 H15/25 '11 COMPL				
14	G15881472	ASS.RIGA DX FALCIONE TR	RIGHT CUTTER LINE ASS. TR	GR. REGLE DROITE DE HACHOIR TR	STAB RE SZSCHAR TR	CONJ. VARILLA DER. GUADA#ADORA
15	G15881450	ASS.TOP FALCIONE TR				
16	G15881481	ASS.RIGA CENTRALE FALCIONE TR				
17	G15881740	ASS.SLITTA TR				
18	G15881492	ASS.RIGA SX FALCIONE TR	LEFT CUTTER LINE ASS. TR	GR. REGLE GAUCHE DE HACHOIR TR	STAB LI SZSCHAR TR	CONJ. VARILLA IZQ. GUADA#ADORA
19	G15882020	MONT.FALCIONE TR-10 H 8-15				
20	G15881440	MONT.FALCIONE TR-10 H15-25				
21	G19203660	TAGLIENTE FALCIONE FS03 H8/15	CUTTER EDGE FS03 H8/15	COUPEUR HACHOIR FS03 H8/15	SCHARSCHNEIDE FS03 H8/15	AFIL. HOJA DE CORTE FS03 H8/15
22	G19203670	TAGLIENTE FALCIONE FS03 H15/25				
23	F01200270	DADO M10X 1,5 U5588 6.8 ZN	NUT M10X 1,5 U5588 6.8 ZN	ECROU M10X 1,5 U5588 6.8 ZN	MUTTER M10X 1,5 U5588 6.8 ZN	TUERCA M10X 1,5 U5588 6.8 ZN
24	G15827310	ASS.FALCIONE FASCIA 6				
25	G19203640	PUNTALE FALCIONE A FASCIA "R"				
26	F01020450	VITE M 8X1,25X40 U5739 8.8 ZN	SCREW M8X 1,25X40 5739 8.8 ZN	VIS M 8X40	SCHRAUBE M 8X40	TORNILLO M 8X40
27	G15827340	FALCIONE A FASCIA 6 CON VITE				

**ORietta «W» (\*\*)**

**ORietta «N» (\*)**



**OPTIONAL**



## RUOTE DI COMPRESSIONE

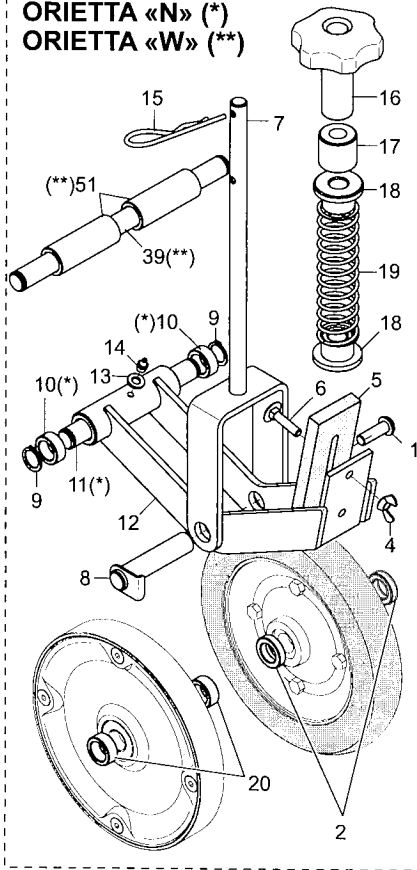
Pos.	Cod.	Descrizione	Description	Description	Benennung	Description
1	G15826830	MONT.RUOTA IN GOMMA D.250X100				
2	G15826820	RUOTA IN GOMMA 250X100	RUBBER WHEEL 250X100	ROUE EN CAOUTCHOUC 250X100	GUMMIRAD 250X100	RUEDA DE CAUCHO 250X100
3	G15826561	ASSE RUOTA 250X100	AXLE	AXE	ACHSE	EJE
4	F01020472	VITE M10X1,5X25 U5739 8.8 ZN	BOLT 10X25 5739 8.G GALVANIZED	VIS 10X25 5739 8.G ZN	SCHRAUBE 10X25 5739 8.G ZN	TORNILLO 10X25 5739 8.G ZN
5	G15829430	MONT.RUOTA INOX D.250X100 FL.				
6	G15829330	ASS.ANELLO INOX D.250X100	RING D.250X100	BAGUE D.250X100	RING D.250X100	ANILLO D.250X100
7	G19005320	FIANCO RUOTA D.250				
8	F04010131	CUSC.D20 D42 B12 6004-2RSH EX>	BEARING D20 D42 B12 6004-2RSH	ROULEMENT 6004	LAGER 6004	COJINETE 6004
9	G19005080	DISTANZIALE RUOTE INOX R	INOX R WHEEL SPACER	ENTRETOISE ROUE INOX R	DISTANZSTÜCK RAD INOX R	DISTANCIADOR RUEDA INOX R
10	G15829580	MONT.RUOTA GOMMA D.250X100 FL.				
11	G15829410	TUBO GOMMATO D.250X100				
12	F01030038	VITE M6X1X20 U5933 10.9 ZD	SCREW M6X 1X20 U5933 10.9 ZD	VIS M 6X20	SCHRAUBE M 6X20	TORNILLO M 6X20
13	G19005081	DISTANZIALE RUOTE INOX R				
14	G15881340	ASS.RUOTA IN GRIGLIA 250X100				
15	G15829920	ASS.SUPPORTO BILANCIERE				
16	G15829950	RASCHIATERRA				
17	G15829890	ASSE POSTERIORE BILANCIERE				
18	F01200270	DADO M10X 1,5 U5588 6.8 ZN	NUT M10X 1,5 U5588 6.8 ZN	ECROU M10X 1,5 U5588 6.8 ZN	MUTTER M10X 1,5 U5588 6.8 ZN	TUERCA M10X 1,5 U5588 6.8 ZN
19	G10525830	SPIANATERRA	SOIL LEVELLER	NIVELEUSE	ERDEBNER	NIVELADORA
20	G15882040	ASS.SUPPORTO SPARTIZOLLE				
21	G19005160	BOCCOLA FINECORSA BILANCIERE	LIMIT SWITCH ROCKER BUSHING	DOUILLE BUTEE BALANCIE	ENDANSCHLAGSBUCHSE TANDEMWAGEN	CASQUILLO FIN DE CARRERA BALAN
22	G15821861	SPIANATERRA				
23	G15829690	SUPPORTO SPARTIZOLLE				
24	G15829160	RUOTA 250X170 COMPL.				
25	F01420060	ROS.M10 10,5X 30X2,5 U6593 ZN	WASHER 10,5X30	RONDELLE 10,5X30	SCHEIBE 10,5X30	ARANDELA 10,5X30
26	G15827960	RUOTA GOMMA 250X170 MOZZO 180				
27	G15827980	ASSE RUOTA 250X170	WHEEL AXLE 250X170	AXE ROUE 250X170	RADACHSE 250X170	EJE RUEDA 250X170
28	G15829760	MONT.RUOTA INOX D.250X170 FL.				
29	G15829770	ASS.ANELLO INOX D.250X170	RING D.250X170	BAGUE D.250X170	RING D.250X170	ANILLO D.250X170
30	G19005600	DISTANZIALE D.20 XD.27 X10.5				
31	G15881380	ASS.RUOTA IN GRIGLIA 250X170				
32	G19005600	DISTANZIALE D.20 XD.27 X10.5				
33	G15827870	SUPPORTO BILANCIERE				
34	G15881810	ASSE POSTERIORE BILANCIERE 187				
35	G19005960	DIST.D.15 X30 X53				
36	G15827970	RASCHIATERRA				
37	F01020512	VITE M12X1,75X35 U5739 8.8 ZN	SCREW M12X1,75X35 5739 8.8 ZN	VIS M12X1,75X35 5739 8.8 ZN	SCHR. M12X1,75X35 5739 8.8 ZN	TORN. M12X1,75X35 5739 8.8 ZN
38	G15224630	BOCCOLA BRACCIO	ARM BUSHING	BOITE BRAS	BsCHSE ARM	CASQUILLO BRAZO
39	F01200293	DADO M12X1,75 U5588 6.8 ZN	NUT M12X1,75 U5588 6.8 ZN	ECROU M12X1,75 U5588 6.8 ZN	MUTTER M12X1,75 U5588 6.8 ZN	TUERCA M12X1,75 U5588 6.8 ZN
40	G15421231	BOCCOLA BRACCIO SUPERIORE	UPPER ARM BUSHING	BOITE BRAS SUPERIEURE	OBERE ARMBsCHSE	CASQUILLO BRAZO SUPERIOR
41	F01220048	DADO M12X1,75 D980 8 ZN	NUT M12X1,75 D980 8 ZN	ECROU M12X1,75 D980 8 ZN	SCHEIBE M12X1,75 D980 8 ZN	TUERCA M12X1,75 D980 8 ZN
42	F01020404	VITE M6X1X20 U5739 8.8 ZN	SCREW M 6X 1X20 U5739 8.8 ZN	VIS 6X20 5739 8.G ZN	SCHRAUBE 6X20 5739 8.G ZN	TORNILLO 6X20 5739 8.G ZN
43	G15882181	PIASTRA 175X45				
44	G15882191	RASCHIATORE IN GOMMA				
45	G15882160	SUPPORTO DX				
46	G20980037	BOCCOLA 15X10,25X8	BUSHING 15X10,25X8	BOITE 15X10,25X8	BsCHSE 15X10,25X8	CASQUILLO 15X10,25X8
47	F01020470	VITE M10X1,5X20 U5739 8.8 ZN	BOLT M 10X20	VIS M 10X20	SCHRAUBE M 10X20	TORNILLO M 10X20
48	G15882171	SUPPORTO RASCHIATERRA GOMMA				
49	F01220011	DADO M 6X 1 D980 8 ZN	NUT M6X1 D980 8 ZN	ECROU M6X1 D980 8 ZN	MUTTER M6X1 D980 8 ZN	TUERCA M6X1 D980 8 ZN
50	G18904170	MOLLA SPORTELLINO GRANDE	LARGE HATCH SPRING	RESSORT PORTILLON GRAND	GROSSE KLAPPE FEDER	MUELLE DE PORTILLO GRANDE
51	G15882150	SUPPORTO SX				
52	G15882730	PIASTRA				
53	G15882740	RASCHIATORE IN GOMMA				
54	G15882750	SUPP.RASCHIATERRA IN GOMMA				



TAV. 132

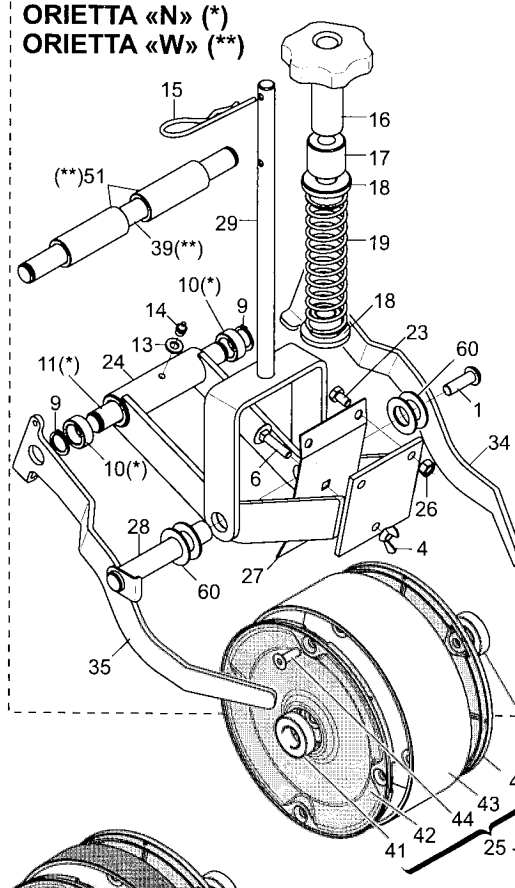
FILA SINGOLA - SINGLE ROW

ORietta «N» (\*)  
ORietta «W» (\*\*)



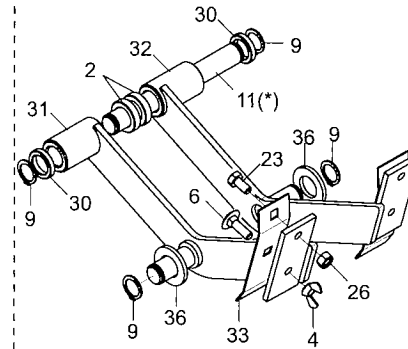
SEMINA A FASCIA - BROAD SEEDING

ORietta «N» (\*)  
ORietta «W» (\*\*)



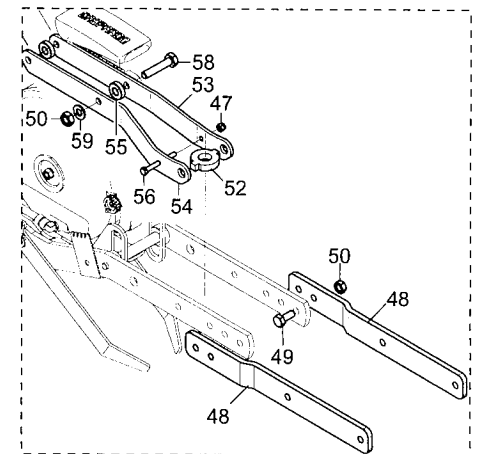
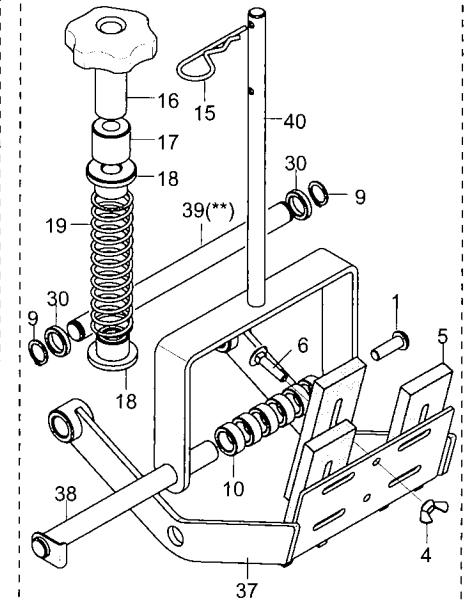
FILA DOPPIA - DOUBLE ROW

ORietta «N» (\*)



FILA DOPPIA E TRIPLA - DOUBLE AND TRIPLE ROW

ORietta «W» (\*\*)

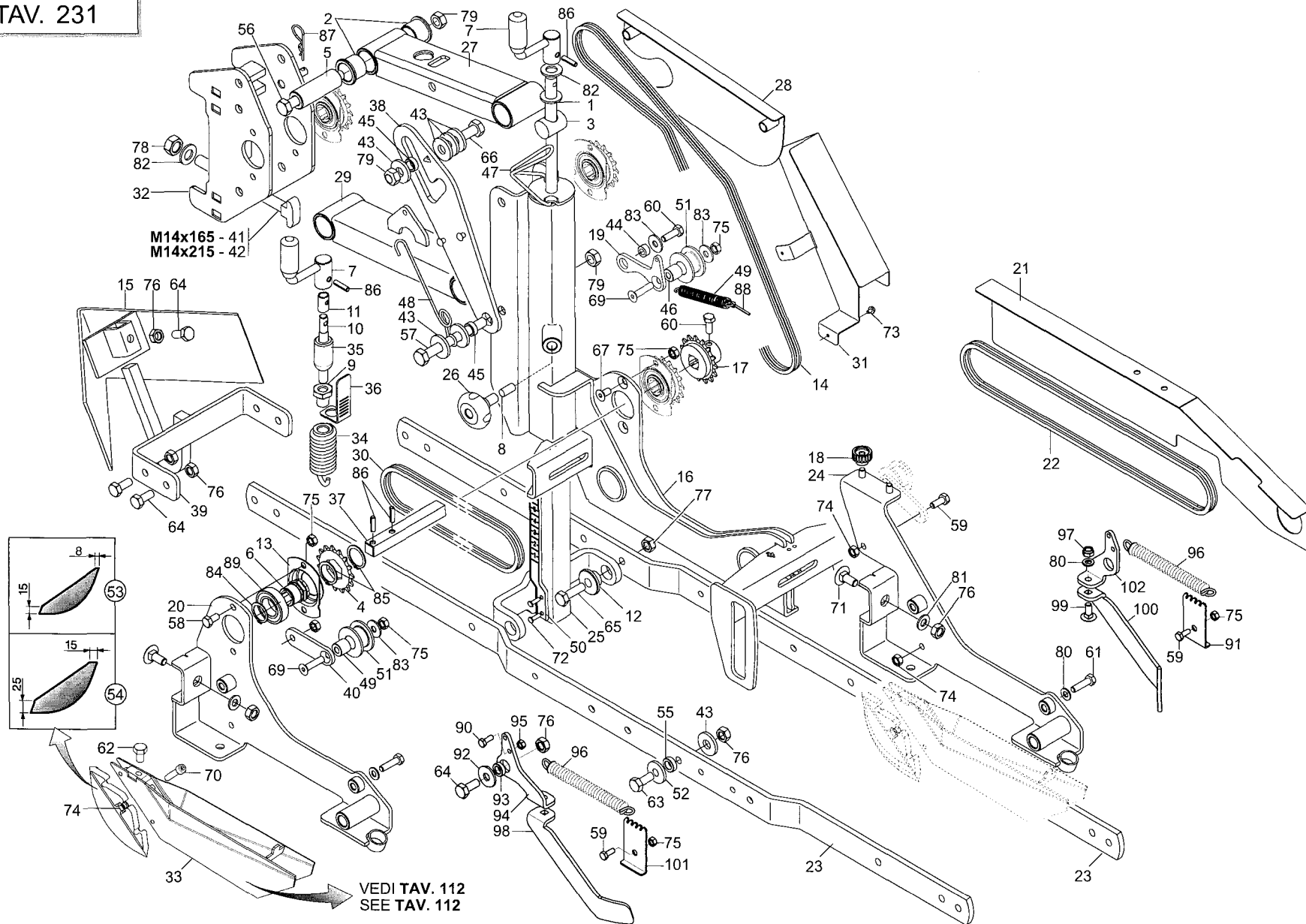


# RUOTINI DI COMPRESSIONE

TAV. 132

Pos.	Cod.	Descrizione	Description	Description	Benennung	Descrpcion
1	F01030211	VITE M8X1,25X25 U7380 10.9 ZD	BOLT 8X25 U7380 10.9 GALVANIZ	VIS 8X25 U7380 10.9 ZN	SCHRAUBE 8X25 U7380 10.9 ZN	TORNILLO 8X25 U7380 10.9 ZN
2	G19005290	DISTANZIALE 15X24X6				
3	F06120066	RUOTINO FLEX 170 X 30	WHEEL FLEX 170X 30			
4	F01240012	DADO M 6X 1 U5448 5.8 ZN	NUT 6 UNI 5448 5.8 ZN	ECROU 6 UNI 5448 5.8 ZN	MUTTER 6 UNI 5448 5.8 ZN	TUERCA 6 UNI 5448 5.8 ZN
5	G15828440	RASCHIATERRA RUOTINI FS	WHEEL SOIL-SCRAPER FS	RACLEUR ROUE FS	ERDSCHABER FS	RASCADOR RUEDA FS
6	F01060069	VITE M10X1,5X30 U5732 4.6 ZN	BOLT 10X30 5732 4.6	BOULON 10X30 5732 4.6	SCHRAUBE 10X30 5732 4.6	PERNO 10X30 5732 4.6
7	G15827491	STELO PRESSORE R	PRESSURE STEM ASS.	GR. TIGE	SCHAFT	CONJ. VµSTAGO
8	G15828740	ASS.ASSE RUOTINO	WHEEL AXIS ASS.	GR. AXE ROUE	RADACHSE	CONJ. EJE RUEDA
9	F02050034	ANELLO E. DE 15X 1 U7435 C70	ELASTIC RING DE 15X 1	BAGUE ELASTIQUE DE 15X 1	RING DE 15X 1	ANILLO DE 15X 1
10	G19005970	DIST.D.15 X22 X 9				
11	G15827480	ASSE COPRISEME	SEED-COVER AXLE	AXE COUVRE-GR.	SAMENABDECK ASCHE	CUBRESEMILLAS EJE
12	G15825251	SUPP.RUOTINO PREMISEME FS	STRIP SEED PRESS WHEEL SUPPORT	ASS. SUPPORT ROUET RECOUVREUR	SAMENANDRUCKROLLENHALTERUNGSKO	CONJ. SOPORTE RODILLO PRENSA
13	F01410037	ROS.M6 6,4X12,5X1,6 U6592 ZN	PLANE WASHER D.6	RONDELLE D.6	SCHIBE D.6	ARANDELA D.6
14	F20110500	INGRASS.A SFERE M6X1 LUNGO	SPHERE NIPPLE M6X1 LONG	GRAISSEUR A BILLES M6X1 LONG	KUGELFETTBSCHSE M6X1 LANG	ENGRASADOR ESFERAS M6X1 LARGO
15	F02200363	COPIGLIA R 3X 62 ZN	SPRING SPLIT PIN 3X 62 ZN	GOUPILLE R 3X62	SPLINT R 3X62	CHAVETA R 3X62
16	G19004530	VOLANTINO PRESSORE (SEM.ORT.R)	HANDWHEEL	VOLANT	HANDRAD	VOLANTE
17	G66248100	RULLO TEND. SP	TIGHTENER ROLLER SP	ROULEAU TENDEUR SP	SPANNERROLLE SP	RODILLO TENSOR SP
18	G19004560	BOCCOLA MOLLA PRESSORE	SPRING BUSHING	RESSORT	FEDER	CASQUILLO MUELLE
19	G18903670	MOLLA COMPRESSIONE RUOTINO	COMPR. WHEEL SPRING	RESSORT COMPRESSION ROUET	FEDER DsNGUNG ROLLE	MUELLE COMPRESIN RUEDECILLA A
20	G19005160	BOCCOLA FINECORSIA BILANCIERE	LIMIT SWITCH ROCKER BUSHING	DOUILLE BUTEE BALANCIE	ENDANSCHLAGSBUCHSE TANDEMWAGEN	CASQUILLO FIN DE CARRERA BALAN
21	G15829590	MONT.RUOTA GOMMAD.162X24 FL.				
22	GA5820270	RUOTA INOX D.168X23 COMPL				
23	F01020398	VITE M6X1X12 U5739 8.8 ZN	BOLT M6X12	VIS M 6X12	SCHRAUBE M 6X12	TORNILLO M 6X12
24	G15826010	BRACCIO PREMISEME FASCIA	STRIP SEED PRESS ARM COUPLING	ASS. BRAS ROUE INTERMEDIAIRE P	SAMENANDRUCKARMB_GELKOMPLEX	CONJ. PRENSA SEMILLAS FAJA
25	G15829451	RUOTA INOX D.162X65 FL. COMPL				
26	F01200232	DADO M 6X 1 U5588 6.8 ZN	NUT 6 UNI 5588 6.8 GALVANIZED	ECROU 6 UNI 5588 6.8 ZN	MUTTER 6 UNI 5588 6.8 ZN	TUERCA 6 UNI 5588 6.8 ZN
27	G22250178	RASCHIATERRA RUOTINO LARGO SV	WIDE WHEEL SOIL-SCRAPER SV	RACLEUR ROUET LARGE SV	ERDSCHABER BREITE ROLLE SV	RASCADOR RUEDECILLA LARGA SV
28	G15828830	ASS.ASSE RUOTINO A FASCIA	SEM."R" BANDS WHEEL AXIS ASS.	GR. AXE ROUE BANDES SEM."R"	RADACHSE BsNDE SEM."R"	CONJ. EJE RUEDA FAJA SEM."R"
29	F15828151	STELO PRESSORE RUOT.FASCIA	STRIP WHEEL PRESSURE STEM ASS.	GR. TIGE ROUE BRIDE	SCHAFT RAD BAND	CONJ. VµSTAGO RUEDA BANDA
30	G19005300	DISTANZIALE 15X22X4,5				
31	G15825430	BRACCIO SX.PREMISEME DR	DR LEFT-SIDE SEED PRESS ARM CO	ASS. BRAS GAUCHE ROUE INTERMED	ARMKOMPLEX LINKS SAMENANDR_CKE	CONJ. BRAZO SX PRENSASEMILLAS
32	G15825440	BRACCIO DX.PREMISEME DR	DR RIGHT-SIDE SEED PRESS ARM C	ASS. BRAS DROIT ROUE INTERMEDI	ARMKOMPLEX RECHTS SAMENANDR_CK	CONJ. BRAZO DX PRENSASEMILLAS
33	G10122392	RASCHIATERRA				
34	G15881931	COPRISEME A FASCIA DX				
35	G15881921	COPRISEME A FASCIA SX				
36	F01410100	ROS.M16 17X 30X 3 U6592 ZN	WASHER M16 17X30X3 U6592 ZN	RONDELLE M16 17X30X3 U6592 ZN	SCHEIBE M16 17X30X3 U6592 ZN	ARANDELA M16 17X30X3 U6592 ZN
37	G15881800	ASS.SUPPORTO RASCHIATERRA				
38	G15881780	ASS.ASSE RUOTINO TR	WHEEL AXIS TR	AXE ROUE TR	RADACHSE TR	EJE RUEDA TR
39	G15881840	PERNO RUOTE PREMISEME TR ZN				
40	G15881750	ASS.PRESSORE RUOTINI TR				
41	F04010125	CUSC.D15 D32 B9 6002 2RS1	BEARING D15 D32 B9 6002 2RS1	PALIER 6002 2RS1	LAGER 6002 2RS1	COJINETE 6002 2RS1
42	G19005331	FIANCO RUOTA D.168				
43	G15882720	ANELLO INOX 168X65				
44	F01030038	VITE M6X1X20 U5933 10.9 ZD	SCREW M6X 1X20 U5933 10.9 ZD	VIS M 6X20	SCHRAUBE M 6X20	TORNILLO M 6X20
45	G15829420	TUBO GOMMATO D.162X24				
46	GA5820280	ANELLO INOX 168X23				
47	F01030041	VITE M6X1X10 U5933 10.9 ZD	BOLT 6x10 5933 10.9 GALVANIZ.	VIS 6x10 5933 10.9 ZN	SCHRAUBE 6x10 5933 10.9 ZN	TORNILLO 6x10 5933 10.9 ZN
48	G15827610	PROLUNGA BILANCIERE				
49	F01020472	VITE M10X1,5X25 U5739 8.8 ZN	BOLT 10X25 5739 8.8 GALVANIZED	VIS 10X25 5739 8.8 ZN	SCHRAUBE 10X25 5739 8.8 ZN	TORNILLO 10X25 5739 8.8 ZN
50	F01200270	DADO M10X 1,5 U5588 6.8 ZN	NUT M10X 1,5 U5588 6.8 ZN	ECROU M10X 1,5 U5588 6.8 ZN	MUTTER M10X 1,5 U5588 6.8 ZN	TUERCA M10X 1,5 U5588 6.8 ZN
51	G15882300	DISTANZIALE 15-25X50				
52	G15882480	SUPP.BASCULANTE				
53	G15882470	PIATTO DX SUPP.BASCULANTE				
54	G15882490	PIATTO SX SUPP.BASCULANTE				
55	G18801680	BOCCOLA 11 X25 X7,5 ZN	BUSHING 11X25X7,5 GALVA	BOITE 11X25X7,5 ZN	BsCHSE 11X25X7,5 ZN	CASQUILLO 11X25X7,5 ZN
56	F01020043	VITE M6X1X60 U5737 8.8 ZN	SCREW M6X 1X60 U5737 8.8 ZN	VIS 6 X60 5737 8.8 ZN	SCHRAUBE 6 X60 5737 8.8 ZN	TORNILLO 6 X60 5737 8.8 ZN
57	F01230022	DADO M 6X 1 D982 8 ZN	NORM.SELF-LOCKING NUT 6 GALVAN	ECROU AUTOB.NOR.6 ZN	SELBSTSP. MUTTER NOR.6 ZN	TUERCA AUTOB. NOR. 6 ZN
58	F01020114	VITE M10X1,5X50 U5737 8.8 ZN	SCREW M10X 1,5X50 U5737 8.8 ZN	VIS M10X 1,5X50 U5737 8.8 ZN	SCHRA.M10X 1,5X50 U5737 8.8 ZN	TORN. M10X 1,5X50 U5737 8.8 ZN
59	F01410064	ROS.M10 10,5X 20X 2 U6592 ZN	WASHER M10 10,5X20X2 U6592 ZN	RONDELL.M10 10,5X20X2 U6592 ZN	SCHIBE M10 10,5X20X2 U6592 ZN	ARAND. M10 10,5X20X2 U6592 ZN
60	G20970149	RONDELLA D.15X28X1,5	WASHER D.15X28X1-5	RONDELLE D. 15X28X1-5	UNTERLEGSCHIBE D.15X28X1-5	ARANDELA D.15X28X1-5

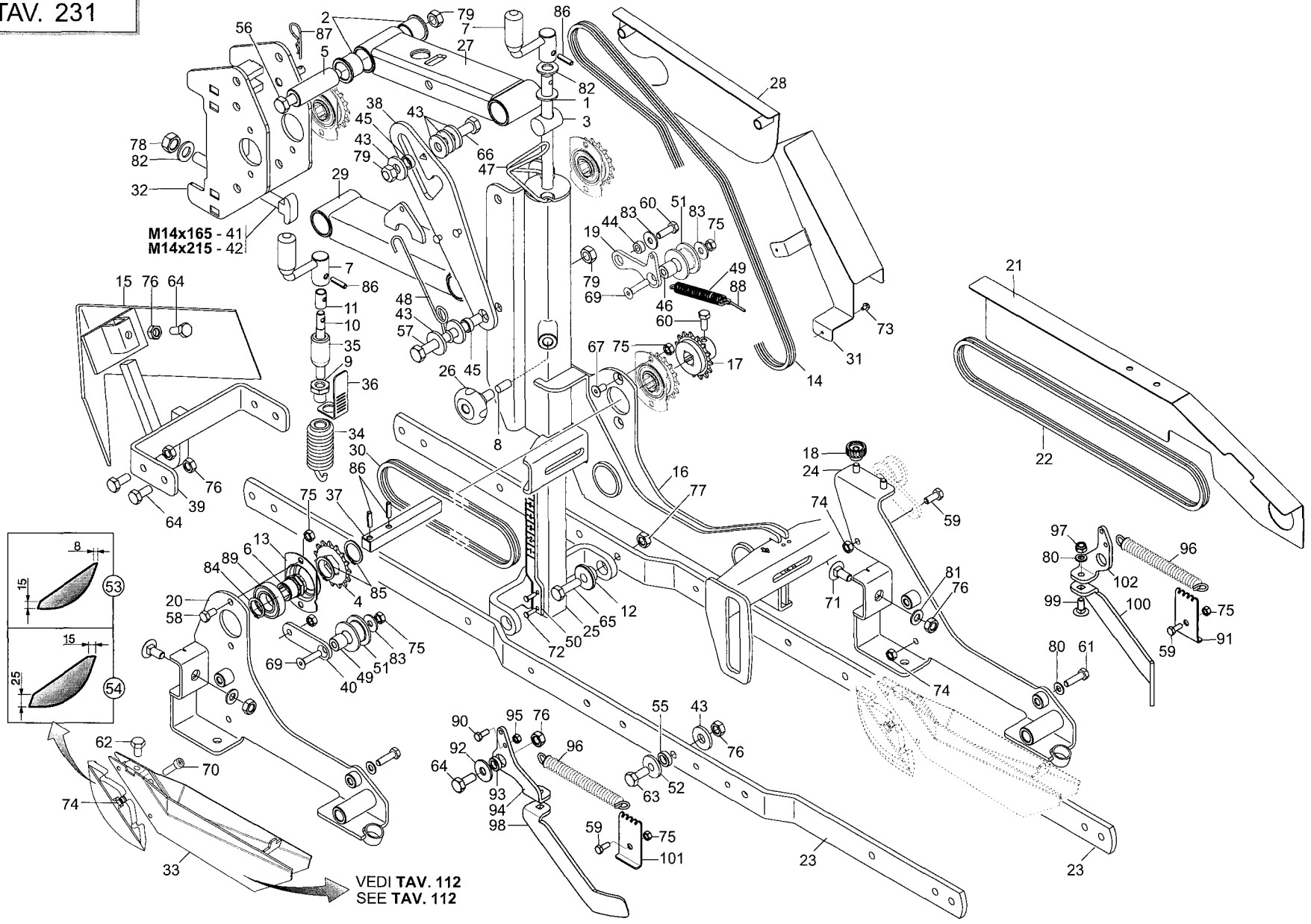
TAV. 231



## ELEMENTO OLIMPIA

Pos.	Cod.	Descrizione	Description	Description	Benennung	Descrpcion
1	G22230062	VITE DI REGOLAZIONE	ADJUSTMENT BOLT	VIS DE REGLAGE	EINSTELLSCHRAUBE	TORNILLO DE REGULACIN S
2	G66349003	BOCCOLA SINT.	BUSHING- SINTERED	BOITE FRITTEE	SYNTH. BUECHSE	CASQUILLO SINT.
3	G22230063	ELEMENTO ARTICOLATO	ARTICULATED ELEMENT	ELEMENT ARTICULE	GELENKELEMENT	ELEMENTO ARTICULADO
4	G22250190	CORONA ASSE SEMINAT.Z-15 SV	PLANTING UNIT AXLE Z-15 RING G	COURONNE AXE SEMEUR Z-15 SV	KRANZ SZELEMENTACHSE Z-15 SV	CORONA EJE SEMBR. Z-15 SV
5	G22250405	PERNO BRACCIO INFERIORE SV/2	PIN- LOWER ARM SV/2	PIVOT BRAS INF. SV/2	ZAPPEN UNTERER ARM SV/2	PERNO BRAZO INFERIOR SV/2
6	G22250441	MOZZO CORONA SEMINATORE SV/2	PLANTING UNIT CROWN HUB SV/2	MOYEU COURONNE SEMEUR SV/2	KRANZNABE SZELEMENT SV/2	CUBO CORONA SEMBRADOR SV/2
7	G22270235	MANIGLIA REGOLAZIONE B4	ADJUSTMENT HANDLE B4	POIGNEE REGLAGE B4	EINSTELLGRIFF B4	MANIJA REGULACIN B4 M
8	G14820991	FERMO REGOLAZIONE	ADJUSTMENT STOP	BUTEE REGLAGE	EINSTELLUNGSSPERRE	BLOQUEO REGULACIEN
9	G15220120	VITE REGOLAZIONE ZN	REGULATION BOLT	VIS RÉGLAGE ZN	STELLSCHRAUBE ZN	TORNILLO REGULACIÓN ZN
10	G22505063	VITE REGOL. RUOTE POSTERIORI	BOLT- REAR WHEEL ADJUSTM.	VIS REGLAGE ROUES ARRIERES	EINSTELLSCHRAUBE HINTERRZDER	TORNILLO REGUL. RUEDAS TRASERA
11	G22505061	BOCCOLA VITE DI REGOLAZIONE	BUSHING	BOITE VIS DE REGLAGE	BsCHSE EINSTELLSCHRAUBE	CASQUILLO TORNILLO DE REGULACI
12	G15224630	BOCCOLA BRACCIO	ARM BUSHING	BOITE BRAS	BsCHSE ARM	CASQUILLO BRAZO
13	G15725030	SUPPORTO CUSCINETTO	BEARING SUPPORT	SUPPORT PALIER	LAGERHALTERUNG	SOPORTE COJINETE
14	F06080087	CATENA 1/2 ISO 083 86 MAGLIE				
15	G15821861	SPIANATERRA				
16	G15827620	TELAIETTO CENTRALE				
17	G15827660	PIGNONE Z-15 ZN				
18	F06220037	VOLANTINO ZIGR.D.26-M8 FEM				FOLLETO ZIGR.D.26-M8
19	G15827680	BRACCIO TENDICATENA				
20	G15827700	ATTACCO DISTRIBUTORE ANT.				
21	G15827800	CARTER POST.SEMINATORE				
22	F06080050	CATENA 1/2 ISO 083 96 MAGLIE	CUT-DOWN CHAIN 1/2 ISO 083 96	TR. CH...1/2 ISO 083 96 MAILL	KETTENZNGE 1/2 ISO 083 96 GL	TRECHO CADENA 1/2 ISO 083 96 E
23	G15827831	BRACCIO BILANCIERE				
24	G15827860	ATTACCO DISTRIBUTORE POST.				
25	G15827870	SUPPORTO BILANCIERE				
26	F06220010	VOLANTINO 4 LOBI M12X25	8-LOBE HANDWHEEL M12X25	VOLANT 8 LOBES M12X25	HANDRAD 8 BUCKEL M12X25	VOLANTE 8 LOBI M12X25
27	G15827900	BRACCIO SUP.PARALLELOGRAMMA				
28	G15827930	CARTER ANT.				
29	G15827940	BRACCETTO INF.				
30	F06080016	CATENA 1/2 ISO 083 38 MAGLIE				
31	G15827990	CARTER CENTRALE SEMINATORE				
32	G15828250	ATTACCO TELAI0	FRAME COUPLING	FIXATION BATI	KUPPLUNG RAHMEN	CONEXIN BASTIDOR
33	G15828350	ASS.LAMIERE FALCIONE FS-03	COULTER SHEET ASS. FS-03	GR. T+LES SOC FS-03	BLECHE S-SCHAR FS-03	CONJ. CHAPAS BOTA FS-03
34	G15828660	ASS.MOLLA ALLEGGERIMENTO	LIGHTENING SPRING COUPLING	ASS. RESSORT ALLEGEMENT	ERLEICHTERUNGSFEDERKOMPLEX	CONJ. MUELLE DE ALIGERAMIENTO
35	G15828760	BOCCOLA TENDITORE 14,00X25X 45	BUSHING- TIGHTENER	BOITE TENDEUR	BsCHSE SPANNER	CASQUILLO TENSOR
36	G15829290	INDICE MOLLA PARALLELOGR. ZN				
37	G15829630	ASSE TRASMISSIONE	TRANSMISSION AXLE	AXE TRANSMISSION	ANTRIEBSACHSE	EJE TRANSMISIN
38	G15829681	ASTAAGGANCIO				
39	G15829690	SUPPORTO SPARTIZOLLE				
40	G15835360	BRACCIO TENDICATENA				
41	G16610010	VITE A MARTELLO M14X165	WINGED SCREW M14X165	VIS A TETE MARTEAU M14X165	ZWEIFLÜGEL- SCHRAUBEN M14X165	TORNILLO DE MARIPOSA M14X165
42	G16610020	VITE A MARTELLO M14X215	WINGED SCREW M14X215	VIS A TETE MARTEAU M14X215	ZWEIFLÜGEL- SCHRAUBEN M14X215	TORNILLO DE MARIPOSA M14X215
43	G20970035	RONDELLA 32X4X13	WASHER 32X4X13	RONDELLE 32X4X13	UNTERLEGSCHLEIBE 32X4X13	ARANDELA 32X4X13
44	G20980050	BOCCOLA 15X7X8,5 ZN	BUSHING 15X7X8-5 ZN	BOITE 15X7X8-5 ZN	BsCHSE 15X7X8-5 ZN	CASQUILLO 15X7X8-5 ZN
45	G20980082	BOCCOLA 18X7X12,25	BUSHING 18X7X12-25	BOITE 18X7X12-25	BsCHSE 18X7X12-25	CASQUILLO 18X7X12-25
46	G18801450	BOCCOLA 8,25 X18 X17	BUSHING 8,25 X 18 X 17	BOITE 8,25 X18 X17	BsCHSE 8,25 X18 X17	CASQUILLO 8,25 X18 X17
47	G65336100	MOLLA SPEC.FERMO MANIGLIA SP	SPEC SPRING HANDLE STOP SP	RESSORT SPEC. ARRET POIGNEE SP	SPEZIALFEDER GRIFFSPERRE SP	MUELLE ESPEC. BLOQUEO MANIJA S
48	G18902880	MOLLA FERMO PARALLELO SP				
49	G18801450	BOCCOLA 8,25 X18 X17	BUSHING 8,25 X 18 X 17	BOITE 8,25 X18 X17	BsCHSE 8,25 X18 X17	CASQUILLO 8,25 X18 X17
50	G19003400	ASTA INDICAZIONE PROFONDITA'	DEPTH INDICATING ROD	TIGE INDICATION PROFONDEUR	TIEFENANZEIGESTAB	VARILLA INDICACIÓN PROFUNDIDAD
51	G19005110	RULLO TENDICATENA				RODILLO TENSIONA CADENA
52	G19005460	BOCCOLA BILANCIERE	ROCKER BUSHING	BOITE BALANCIER	BsCHSE KIPPEBEL	CASQUILLO BALANCN
53	G19203660	TAGLIENTE FALCIONE FS03 H8/15	CUTTER EDGE FS03 H8/15	COUPEUR HACHOIR FS03 H8/15	SCHARSCHNEIDE FS03 H8/15	AFIL. HOJA DE CORTE FS03 H8/15
54	G19203670	TAGLIENTE FALCIONE FS03 H15/25				REJA TRIPLE FS03 H15/25

TAV. 231

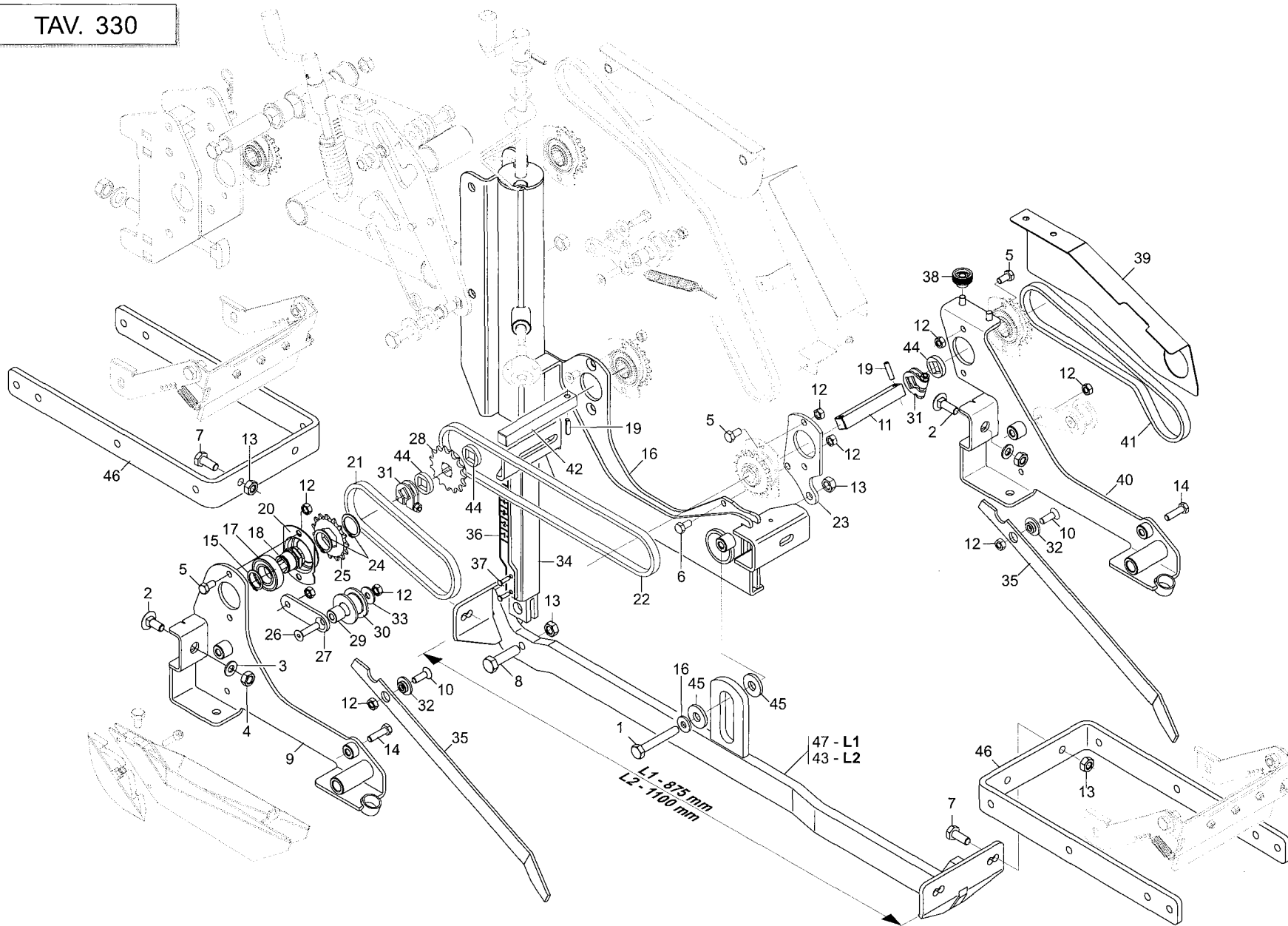


ELEMENTO OLIMPIA «N»

TAV. 231

Pos.	Cod.	Descrizione	Description	Description	Benennung	Description
55	G18801610	BOCCOLA 10,25X16 X11 ZN	BUSHING 10,25 X 16 X 11- GALVA	BOITE 10-25X16 X11 ZN	BsCHSE 10-25X16 X11 ZN	CASQUILLO 10-25X16 X11 ZN
56	F01020170	VITE M12X1,75X100 5737 8.8 ZN	SCREW M12X1,75X100 5737 8.8 ZN	VIS M12X1,75X100 5737 8.8 ZN	SCHRA.M12X1,75X100 5737 8.8 ZN	TORN. M12X1,75X100 5737 8.8 ZN
57	F01020172	VITE M12X1,75X110 5737 8.8 ZN	SCREW M12X1,75X110 5737 8.8 ZN	VIS 12X110 5737 8.G ZN	SCHRAUBE 12X110 5737 8.G ZN	TORNILLO 12X110 5737 8.G ZN
58	F01020432	VITE M 8X1,25X16 U5739 8.8 ZN	SCREW M8X 1.25X16 U5739 8.8 ZN	VIS M 8X16	SCHRAUBE M 8X16	TORNILLO M 8X16
59	F01020436	VITE M 8X1,25X 20 U5739 8.8 ZN	SCREW M8X1,25X20 U5739 8.8 ZN	VIS M8X1,25X20 U5739 8.8 ZN	SCHRA. M8X1,25X20 U5739 8.8 ZN	TORN. M8X1,25X20 U5739 8.8 ZN
60	F01020440	VITE M 8X1,25X25 U5739 8.8 ZN	BOLT M8X1,25X25 U5739 8.8 ZN	VIS M8X1,25X25 U5739 8.8 ZN	SCHRA. M8X1,25X25 U5739 8.8 ZN	TORNIL. M8X1,25X25 U5739 8.8 ZN
61	F01020445	VITE M8X1,25X30 U5739 8.8 ZN	BOLT M 8X30	VIS M 8X30	SCHRAUBE M 8X30	TORNILLO M 8X30
62	F01020468	VITE M10X1,5 X16 U5739 8.8 ZN	SCREW M10X1,5X16 U5739 8.8 ZN	VIS M10X1,5X16 U5739 8.8 ZN	SCHRA. M10X1,5X16 U5739 8.8 ZN	TORN. M10X1,5X16 U5739 8.8 ZN
63	F01020479	VITE M10X1,5X35 U5739 8.8 ZN	SCREW M10X1,5X35 U5739 8.8 ZN	VIS M10X1,5X35 U5739 8.8 ZN	SCHR. M10X1,5X35 U5739 8.8 ZN	TORN. M10X1,5X35 U5739 8.8 ZN
64	F01020472	VITE M10X1,5X25 U5739 8.8 ZN	BOLT 10X25 5739 8.G GALVANIZED	VIS 10X25 5739 8.G ZN	SCHRAUBE 10X25 5739 8.G ZN	TORNILLO 10X25 5739 8.G ZN
65	F01020512	VITE M12X1,75X35 U5739 8.8 ZN	SCREW M12X1,75X35 5739 8.8 ZN	VIS M12X1,75X35 5739 8.8 ZN	SCHR. M12X1,75X35 5739 8.8 ZN	TORN. M12X1,75X35 5739 8.8 ZN
66	F01020152	VITE M12X1,75X 40 5737 8.8 ZN	SCREW M12X1,75X40 U5737 8.8 ZN	VIS M12X1,75X 40 U5737 8.8 ZN	SCHR.M12X1,75X 40 U5737 8.8 ZN	TORN. M12X1,75X 40 U5737 8.8 ZN
67	F01030054	VITE M 8X1,25X16 U5933 10.9 ZD	BOLT 8X16 UNI5933 10.9 GALVANI	VIS 8X16 UNI 5933 10.9 ZN	SCHRAUBE 8X16 UNI 5933 10.9 ZN	TORNILLO 8X16 UNI 5933 10.9 ZN
68	F01030056	VITE M 8X1,25X25 U5933 10.9 ZD	BOLT 8X25 5933 10.9 GALVANIZED	VIS 8X25 5933 10.9 ZN	SCHRAUBE 8X25 5933 10.9 ZN	TORNILLO 8X25 5933 10.9 ZN
69	F01030060	VITE M 8X1,25X35 U5933 10.9 ZD	SCREW M8X1,25X35 U5933 8.8 ZD	VIS 8X35 5933 8.8 ZN	SCHRAUBE 8X35 5933 8.8 ZN	TORNILLO 8X35 5933 8.8 ZN
70	F01040098	VITE M 8X1,25X30 U5931 8.8 BR	SCREW 8 X30 5931 8.G	VIS 8 X30 5931 8.G	SCHRAUBE 8 X30 5931 8.G	TORNILLO 8 X30 5931 8.G
71	F01060069	VITE M10X1,5X30 U5732 4.6 ZN	BOLT 10X30 5732 4.6	BOULON 10X30 5732 4.6	SCHRAUBE 10X30 5732 4.6	PERNO 10X30 5732 4.6
72	F01070050	VITE M3,5X1,27X16 U6954 4.8NI	BOLT 3,5X1,27X 16 6954 4.8NI	VIS 3,5X1,27X 16 6954 4.8NI	SCHRAUBE 3.5X1.27X 16 6954 4.8	TORNILLO 3.5X1.27X 16 6954 4.8
73	F01070073	VITE M4,2X1,41X9,5 U6954 4.8NI	BOLT 4-2X 9-5 DIN 7981	VIS 4-2X 9-5 DIN 7981	SCHRAUBE 4-2X 9,5 DIN 7981	TORNILLO 4-2X 9-5 DIN 7981
74	F01200243	DADO M 8X1,25 U5588 6.8 BR	NUT 8 UNI 5588 6.8	ECROU 8 UNI 5588 6.8	MUTTER 8 UNI 5588 6.8	TUERCA 8 UNI 5588 6.8
75	F01200244	DADO M 8X1,25 U5588 6.8 ZN	NUT M8 X1,25 U5588 6.8 ZN	ECROU M8 X1,25 U5588 6.8 ZN	MUTTER M8 X1,25 U5588 6.8 ZN	TUERCA M8 X1,25 U5588 6.8 ZN
76	F01200270	DADO M10X 1,5 U5588 6.8 ZN	NUT M10X 1,5 U5588 6.8 ZN	ECROU M10X 1,5 U5588 6.8 ZN	MUTTER M10X 1,5 U5588 6.8 ZN	TUERCA M10X 1,5 U5588 6.8 ZN
77	F01200293	DADO M12X1,75 U5588 6.8 ZN	NUT M12X1,75 U5588 6.8 ZN	ECROU M12X1,75 U5588 6.8 ZN	MUTTER M12X1,75 U5588 6.8 ZN	TUERCA M12X1,75 U5588 6.8 ZN
78	F01200306	DADO M14X 2 U5588 6.8 ZN	NUT M14X2	ECROU M14X2	MUTTER M14X2	DADO M14X2
79	F01220048	DADO M12X1,75 D980 8 ZN	NUT M12X1,75 D980 8 ZN	ECROU M12X1,75 D980 8 ZN	SCHEIBE M12X1,75 D980 8 ZN	TUERCA M12X1,75 D980 8 ZN
80	F01410051	ROS.M8 8,4X 17X1,6 U6592 ZN	WASHER M8 8,4X17X1,6 U6592 ZN	RONDEL. M8 8,4X17X1,6 U6592 ZN	SCHEIBE M8 8,4X17X1,6 U6592 ZN	ARANDELA M8 8,4X17X1,6 U6592ZN
81	F01410064	ROS.M10 10,5X 20X 2 U6592 ZN	WASHER M10 10,5X20X2 U6592 ZN	RONDELL.M10 10,5X20X2 U6592 ZN	SCHEIBE M10 10,5X20X2 U6592 ZN	ARAND. M10 10,5X20X2 U6592 ZN
82	F01410088	ROS.M14 15X 28X2,5 U6592 ZN	WAS.M14 15X 28X2,5 U6592 ZB	RON.M14 15X 28X2,5 U6592 ZB	SCH.M14 15X 28X2,5 U6592 ZB	ARA.M14 15X 28X2,5 U6592 ZB
83	F01420048	ROS.M8 8,4X 24X 2 U6593 ZN	WASHER M8 8,4X 24X 2 U6593 ZN	RONDELLE M8 8,4X 24X2 U6593 ZN	SCHEIBE M8 8,4X 24X 2 U6593 ZN	ARANDELA M8 8,4X 24X2 U6593 ZN
84	F02050101	ANELLO E. DE 25X 1,2 U7435 C70	SEEGER RING E. 25X1,2 7435 C70	SEEGER E. 25X 1,2 U7435 C70	SEEGERING E. 25X 1,2 U7435 C70	ANILLO E. 25X 1,2 U7435 C70
85	F02050615	ANELLO E. DE 28X 1,5 U7435 C70	STOP RING 28 UNI 7435-75	BAGUE DE SERRAGE 28 UNI 7435-75	DRAHTSPRENGRING 28 UNI 7435-75	ANILLO PARADA 28 UNI 7435-75
86	F02100109	SPINA E.P. 6X 24 U6873 C70 BR	PIN EL. .6 X24 DIN 1481	FICHE EL. 6 X24 DIN 1481	SPANNSTIFT 6 X24 DIN 1481	CLAVIJA EL. 6 X24 DIN 1481
87	F02200342	COPIGLIA R 2X 50 ZN	SPRING SPLIT PIN 2X50 ZN	GOUPILE R 2X50 ZN	SPLINT R 2X50 ZN	CHAVETA R 2X50 ZN
88	F02200363	COPIGLIA R 3X 62 ZN	SPRING SPLIT PIN 3X 62 ZN	GOUPILE R 3X62	SPLINT R 3X62	CHAVETAR 3X62
89	F04010135	CUSC.D25 D47 B12 6005 2RS EX->	BEARING D25 D47 B12 6005 2RS			
90	F01020403	VITE M6X1X16 U5739 8.8 ZN	SCREW M6X1X16 U5739 8.8 ZN	VIS M6X1X16 U5739 8.8 ZN	SCHRAUBE M6X1X16 U5739 8.8 ZN	TORNILLO M6X1X16 U5739 8.8 ZN
91	G15829960	ATTACCO SX MOLLA COPRISEME				
92	F01420060	ROS.M10 10,5X 30X2,5 U6593 ZN	WASHER 10,5X30	RONDELLE 10,5X30	SCHEIBE 10,5X30	ARANDELA 10,5X30
93	G18800260	BOCCOLA 10,5X18X6 ZN				
94	G15882220	SUPPORTO COPRISEME SX				
95	F01200232	DADO M 6X 1 U5588 6.8 ZN	NUT 6 UNI 5588 6.8 GALVANIZED	ECROU 6 UNI 5588 6.8 ZN	MUTTER 6 UNI 5588 6.8 ZN	TUERCA 6 UNI 5588 6.8 ZN
96	G18902520	MOLLA TRAZ.ZN RASCHIATERRA				
97	F01230034	DADO M 8X1,25 D982 8	SELF LOCK.NUT M8X1,25 D982 8ZN	ECROU AUTOBL.M8X1,25 D982 8 ZN	SELBST.MUTT.M8X1,25 D982 8 ZN	TUERCA AUTO. M8X1,25 D982 8 ZN
98	G15882240	COPRISEME SX				
99	F01060040	VITE M8X1,25X20 U5732 4.6 ZG	SCREW M8X1,25X20 U5732 4.6 ZN	VIS M8X1,25X20 U5732 4.6 ZN	SCHRA. M8X1,25X20 U5732 4.6 ZN	TORN. M8X1,25X20 U5732 4.6 ZN
100	G15882250	COPRISEME DX				
101	G15829970	ATTACCO DX MOLLA COPRISEME				
102	G15882230	SUPPORTO COPRISEME DX				
103	G18801610	BOCCOLA 10,25X16 X11 ZN	BUSHING 10,25 X 16 X 11- GALVA	BOITE 10-25X16 X11 ZN	BsCHSE 10-25X16 X11 ZN	CASQUILLO 10-25X16 X11 ZN

TAV. 330



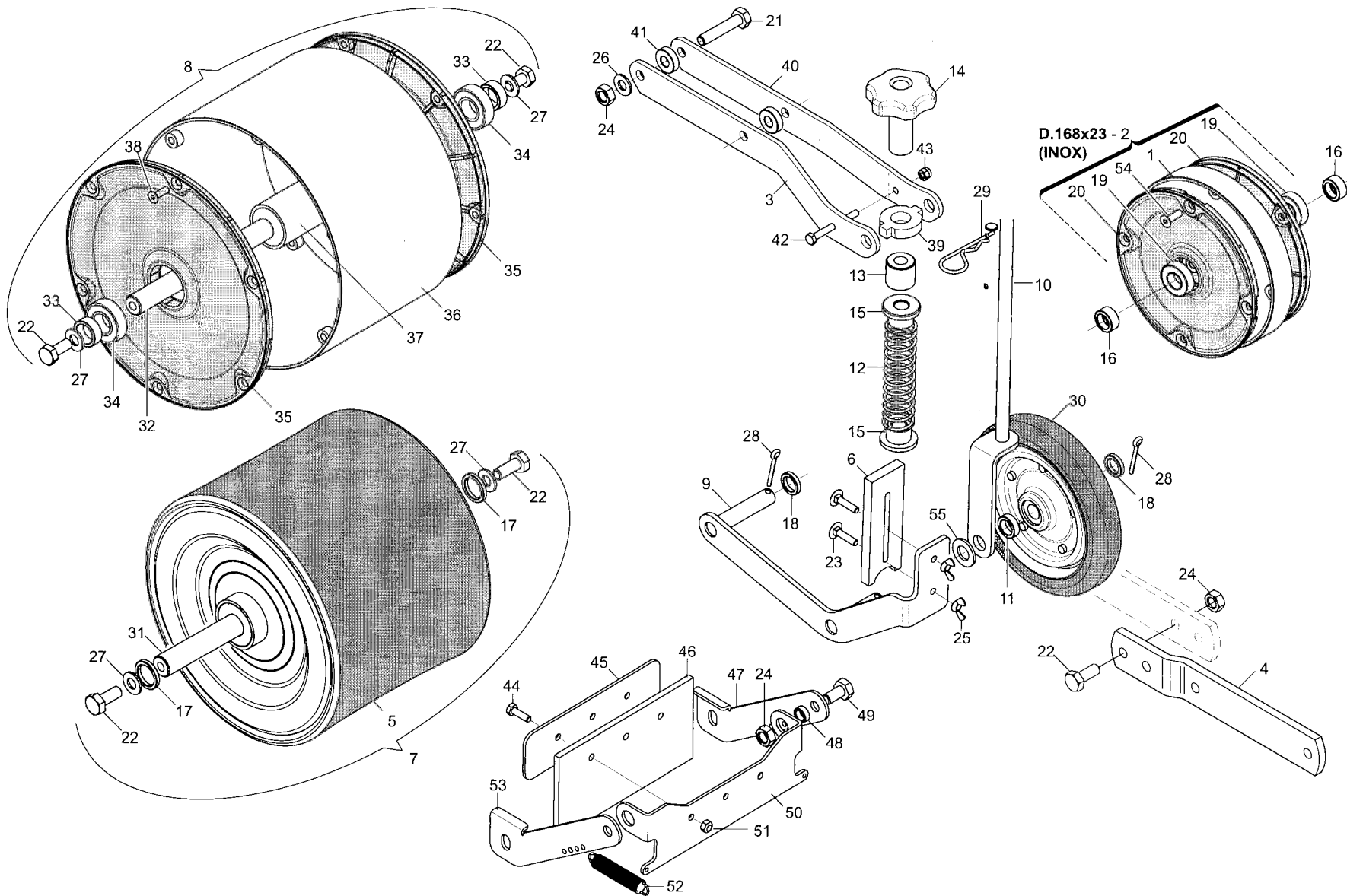
**VARIANTI ELEMENTO OLIMPIA «W»**

**TAV. 330**

Pos.	Cod.	Descrizione	Description	Description	Benennung	Descrpcion
1	F01020122	VITE M10X1,5X70 U5737 8.8 ZN	SCREW M10X1,5X 70 U5737 8.8 ZN	VIS 10X 1,5X 70 U5737 8.8 ZN	SCHR.10X 1,5X 70 U5737 8.8 ZN	TORN.10X 1,5X 70 U5737 8.8 ZN
2	F01060069	VITE M10X1,5X30 U5732 4.6 ZN	BOLT 10X30 5732 4.6	BOULON 10X30 5732 4.6	SCHRAUBE 10X30 5732 4.6	PERNO 10X30 5732 4.6
3	F01410064	ROS.M10 10,5X 20X 2 U6592 ZN	WASHER M10 10,5X20X2 U6592 ZN	RONDELL.M10 10,5X20X2 U6592 ZN	SCHEIBE M10 10,5X20X2 U6592 ZN	ARAND. M10 10,5X20X2 U6592 ZN
4	F01200270	DADO M10X 1,5 U5588 6.8 ZN	NUT M10X 1,5 U5588 6.8 ZN	ECROU M10X 1,5 U5588 6.8 ZN	MUTTER M10X 1,5 U5588 6.8 ZN	TUERCA M10X 1,5 U5588 6.8 ZN
5	F01020432	VITE M 8X1,25X16 U5739 8.8 ZN	SCREW M8X 1.25X16 U5739 8.8 ZN	VIS M 8X16	SCHRAUBE M 8X16	TORNILLO M 8X16
6	F01020440	VITE M 8X1,25X25 U5739 8.8 ZN	BOLT M8X1,25X25 U5739 8.8 ZN	VIS M8X1,25X25 U5739 8.8 ZN	SCHRA. M8X1,25X25 U5739 8.8 ZN	TORNIL.M8X1,25X25 U5739 8.8 ZN
7	F01020472	VITE M10X1,5X25 U5739 8.8 ZN	BOLT 10X25 5739 8.8 GALVANIZED	VIS 10X25 5739 8.8 G ZN	SCHRAUBE 10X25 5739 8.8 G ZN	TORNILLO 10X25 5739 8.8 G ZN
8	F01020485	VITE M10X1,5 X 50 5739 8.8 ZN	BOLT M 10X50	VIS M 10X50	SCHRAUBE M 10X50	TORNILLO M 10X50
9	G15827700	ATTACCO DISTRIBUTORE ANT.				
10	F01030056	VITE M 8X1,25X25 U5933 10.9 ZD	BOLT 8X25 5933 10.9 GALVANIZED	VIS 8X25 5933 10.9 ZN	SCHRAUBE 8X25 5933 10.9 ZN	TORNILLO 8X25 5933 10.9 ZN
11	G15881260	ALBERO	SHAFT	ARBRE	WELLE	EJE
12	F01200244	DADO M 8X1,25 U5588 6.8 ZN	NUT M8 X1,25 U5588 6.8 ZN	ECROU M8 X1,25 U5588 6.8 ZN	MUTTER M8 X1,25 U5588 6.8 ZN	TUERCA M8 X1,25 U5588 6.8 ZN
13	F01200270	DADO M10X 1,5 U5588 6.8 ZN	NUT M10X 1,5 U5588 6.8 ZN	ECROU M10X 1,5 U5588 6.8 ZN	MUTTER M10X 1,5 U5588 6.8 ZN	TUERCA M10X 1,5 U5588 6.8 ZN
14	F01020445	VITE M8X1,25X30 U5739 8.8 ZN	BOLT M 8X30	VIS M 8X30	SCHRAUBE M 8X30	TORNILLO M 8X30
15	F02050101	ANELLO E. DE 25X 1,2 U7435 C70	SEEGER RING E. 25X1,2 7435 C70	SEEGER E. 25X 1,2 U7435 C70	SEEGERING E. 25X 1,2 U7435 C70	ANILLO E. 25X 1,2 U7435 C70
16	F01410064	ROS.M10 10,5X 20X 2 U6592 ZN	WASHER M10 10,5X20X2 U6592 ZN	RONDELL.M10 10,5X20X2 U6592 ZN	SCHEIBE M10 10,5X20X2 U6592 ZN	ARAND. M10 10,5X20X2 U6592 ZN
17	F04010135	CUSC.D25 D47 B12 6005 2RS EX>	BEARING D25 D47 B12 6005 2RS			
18	G22250441	MOZZO CORONA SEMINATORE SV/2	PLANTING UNIT CROWN HUB SV/2	MOYEU COURONNE SEMEUR SV/2	KRANZNABE SZELEMENT SV/2	CUBO CORONA SEMBRADOR SV/2
19	F02100109	SPINA E.P. 6X 24 U6873 C70 BR	PIN EL. .6 X24 DIN 1481	FICHE EL. 6 X24 DIN 1481	SPANNSTIFT 6 X24 DIN 1481	CLAVIJA EL.6 X24 DIN 1481
20	G15725030	SUPPORTO CUSCINETTO	BEARING SUPPORT	SUPPORT PALIER	LAGERHALTERUNG	SOPORTE COJINETE
21	F06080016	CATENA 1/2 ISO 083 38 MAGLIE				
22	F06080197	CATENA 1/2 ISO 083 58 MAGLIE	CHAIN 1/2 ISO 083 58 LINKS	CHAINE 1/2 ISO 083 58 MAILLES	KETTE 1/2 ISO 083 58 GLIEDER	CADENA 1/2 ISO 083 58 ESLABEL
23	GA5820400	SUPPORTO CUSCINETTO OLIMPIA W				
24	F02050615	ANELLO E. DE 28X 1,5 U7435 C70	STOP RING 28 UNI 7435-75	BAGUE DE SERRAGE 28 UNI 7435-75	DRAHTSPRENGRING 28 UNI 7435-75	ANILLO PARADA 28 UNI 7435-75
25	G22250190	CORONA ASSE SEMINAT.Z-15 SV	PLANTING UNIT AXLE Z-15 RING G	COURONNE AXE SEMEUR Z-15 SV	KRANZ SZELEMENTACHSE Z-15 SV	CORONA EJE SEMBR. Z-15 SV
26	F01030060	VITE M 8X1,25X35 U5933 10.9 ZD	SCREW M8X1,25X35 U5933 8.8 ZD	VIS 8X35 5933 8.8 ZN	SCHRAUBE 8X35 5933 8.8 ZN	TORNILLO 8X35 5933 8.8 ZN
27	G15835360	BRACCIO TENDICATENA				
28	G22250028	PIGNONE Z-15 SV	Z-15 PINION SV	PIGNON Z-15 SV	RITZEL Z-15 SV	PI½N Z-15 SV P
29	G18801450	BOCCOLA 8,25 X18 X17	BUSHING 8,25 X 18 X 17	BOITE 8,25 X18 X17	BsCHSE 8,25 X18 X17	CASQUILLO 8,25 X18 X17
30	G19005110	RULLO TENDICATENA				
31	G22505085	FERMO ASSE IN LAMIERA	PLATEAXLE STOP	ARRET AXE EN TOLE	FESTSTELLVORRICHTUNG BLECHACHS	BLOQUEO EJE DE CHAPA
32	G15821110	BOCCOLA SUPPORTO COPRISEME	SEED COVER SUPP. BUSHING	BOITE SUPPORT COUVRE-SEMENCE	BsCHSE SAMENABDECKERHALTER.	CASQUILLO SOPORTE CUBRESEMILLA
33	F01420048	ROS.M8 8,4X 24X 2 U6593 ZN	WASHER M8 8,4X 24X 2 U6593 ZN	RONDELLE M8 8,4X 24X2 U6593 ZN	SCHEIBE M8 8,4X 24X 2 U6593 ZN	ARANDELA M8 8,4X 24X2 U6593 ZN
34	G15881140	ASS.TUBO REGOLAZ.PROFONDITA				
35	G15827811	COPRISEME				
36	G19003400	ASTA INDICAZIONE PROFONDITA'	DEPTH INDICATING ROD	TIGE INDICATION PROFONDEUR	TIEFENANZEIGESTAB	VARILLA INDICACIÓN PROFUNDIDAD
37	F01070050	VITE M3,5X1,27X16 U6954 4.8NI	BOLT 3,5X1,27X 16 6954 4.8NI	VIS 3,5X1,27X 16 6954 4.8NI	SCHRAUBE 3.5X1.27X 16 6954 4.8	TORNILLO 3.5X1.27X 16 6954 4.8
38	F06220037	VOLANTINO ZIGR.D.26-M8 FEM				
39	G15881250	CARTER				
40	G15827860	ATTACCO DISTRIBUTORE POST.				
41	F06080023	CATENA 1/2 ISO 083 54 MAGLIE	CUT-DOWN CHAIN .1/2 ISO 083 54	TR. CH..1/2 ISO 083 54 MAILLE	KETTENZNGE 1/2 ISO 083 54 GL	TRECHO CADENA 1/2 ISO 083 54 E
42	G15829630	ASSE TRASMISSIONE	TRANSMISSION AXLE	AXE TRANSMISSION	ANTRIEBSACHSE	EJE TRANSMISIN
43	GA5820350	BILANCIERE SAGOMATO L1100				
44	G66248218	RONDELLA DISTAN.SPAND.	MAN. SPR. SPACER WASHER	RONDELLE ENTRETOISE EP. ENGRAI	ABSTANDSCHEIBE DsNGERSTREUER	ARANDELA DISTAN.ABONAD.
45	G19005460	BOCCOLA BILANCIERE	ROCKER BUSHING	BOITE BALANCIER	BsCHSE KIPFHEBEL	CASQUILLO BALANCN
46	GA5820310	SUPPORTO RUOTACOMPRESS.L170				
47	GA5820320	BILANCIERE SAGOMATO L875				



TAV. 242

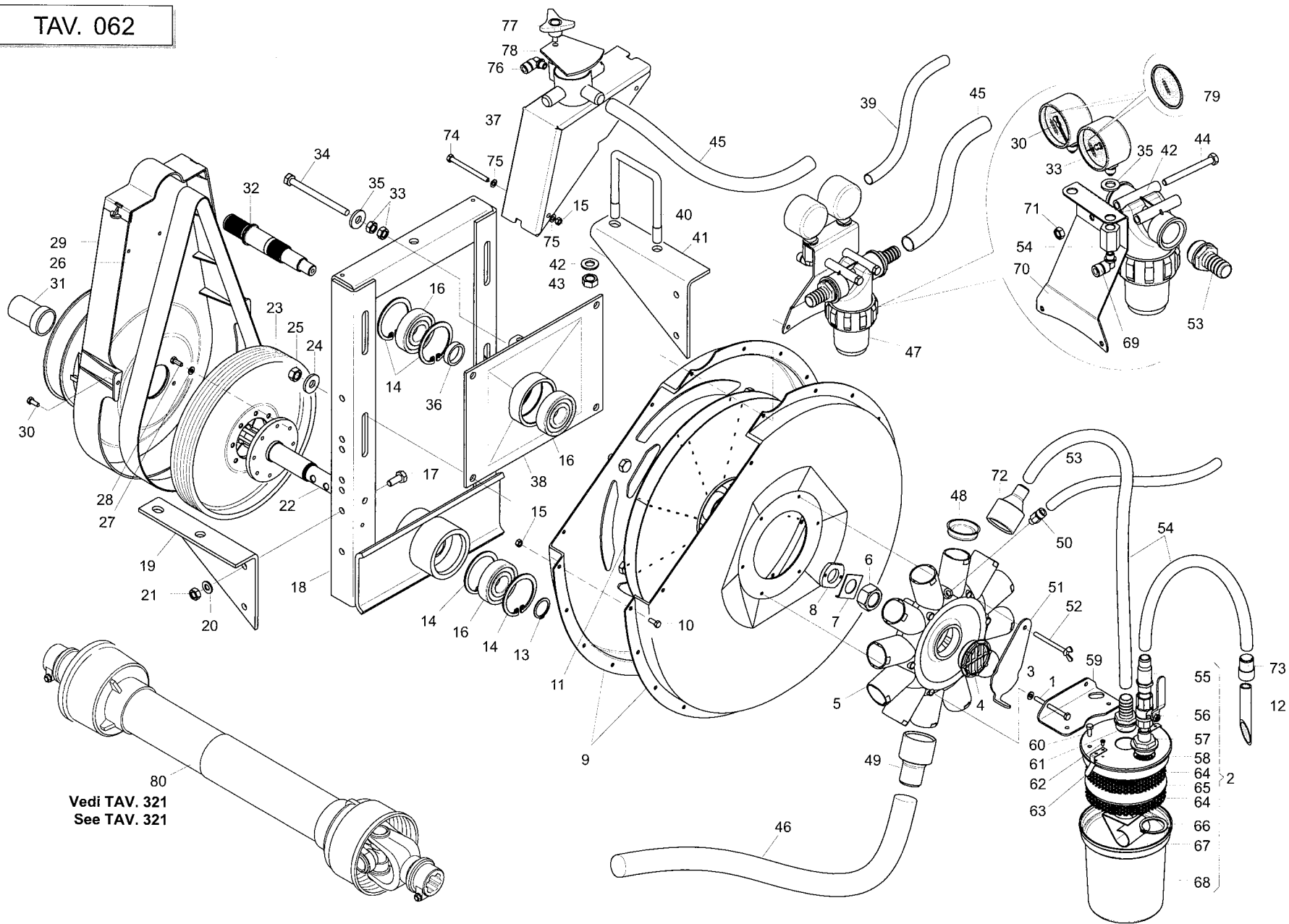


# RUOTE E RUOTINI DI COMPRESIONE

TAV. 242

Pos.	Cod.	Descrizione	Description	Description	Benennung	Description
1	GA5820280	ANELLO INOX 168X23				
2	GA5820270	RUOTA INOX D.168X23 COMPL				
3	G15882490	PIATTO SX SUPP.BASCULANTE				
4	G15827610	PROLUNGA BILANCIERE				
5	G15827960	RUOTA GOMMA 250X170 MOZZO 180				
6	G15828440	RASCHIATERRA RUOTINI FS	WHEEL SOIL-SCRAPER FS	RACLEUR ROUE FS	ERDSCHABER FS	RASCADOR RUEDA FS
7	G15829160	RUOTA 250X170 COMPL.				
8	G15829760	MONT.RUOTA INOX D.250X170 FL.				
9	G15829610	BRACCIO PREMISEME				
10	G15829620	PRESSORE				
11	G18802980	BOCCOLA 15 X22 X7	BUSHING 15 X22 X7	BOITE 15 X22 X7	BsCHSE 15 X22 X7	CASQUILLO 15 X22 X7
12	G18903670	MOLLA COMPRESIONE RUOTINO	COMPR. WHEEL SPRING	RESSORT COMPRESSION ROUET	FEDER DsNGUNG ROLLE	MUELLE COMPRESIN RUEDECILLA A
13	G66248100	RULLO TEND. SP	TIGHTENER ROLLER SP	ROULEAU TENDEUR SP	SPANNERROLLE SP	RODILLO TENSOR SP
14	G19004530	VOLANTINO PRESSORE (SEM.ORT.R)	HANDWHEEL	VOLANT	HANDRAD	VOLANTE
15	G19004560	BOCCOLA MOLLA PRESSORE	SPRING BUSHING	RESSORT	FEDER	CASQUILLO MUELLE
16	G19004961	DISTANZIALE 15X22X10				
17	G19005081	DISTANZIALE RUOTE INOX R				
18	G19005300	DISTANZIALE 15X22X4,5				
19	F04010125	CUSC.D15 D32 B9 6002 2RS1	BEARING D15 D32 B9 6002 2RS1	PALIER 6002 2RS1	LAGER 6002 2RS1	COJINETE 6002 2RS1
20	G19005331	FIANCO RUOTA D.168				
21	F01020114	VITE M10X1,5X50 U5737 8.8 ZN	SCREW M10X 1,5X50 U5737 8.8 ZN	VIS M10X 1,5X50 U5737 8.8 ZN	SCHRA.M10X 1,5X50 U5737 8.8 ZN	TORN. M10X 1,5X50 U5737 8.8 ZN
22	F01020472	VITE M10X1,5X25 U5739 8.8 ZN	BOLT 10X25 5739 8.G GALVANIZED	VIS 10X25 5739 8.G ZN	SCHRAUBE 10X25 5739 8.G ZN	TORNILLO 10X25 5739 8.G ZN
23	F01060016	VITE M6X1X30 U5732 4.6 ZN	BOLT 6X30 5732 4.6 GALVANIZED	VIS 6X30 5732 4.6 ZN	SCHRAUBE 6X30 5732 4.6 ZN	TORNILLO 6X30 5732 4.6 ZN
24	F01200270	DADO M10X 1,5 U5588 6.8 ZN	NUT M10X 1,5 U5588 6.8 ZN	ECROU M10X 1,5 U5588 6.8 ZN	MUTTER M10X 1,5 U5588 6.8 ZN	TUERCA M10X 1,5 U5588 6.8 ZN
25	F01240012	DADO M 6X 1 U5448 5.8 ZN	NUT 6 UNI 5448 5.8 ZN	ECROU 6 UNI 5448 5.8 ZN	MUTTER 6 UNI 5448 5.8 ZN	TUERCA 6 UNI 5448 5.8 ZN
26	F01410064	ROS.M10 10,5X 20X 2 U6592 ZN	WASHER M10 10,5X20X2 U6592 ZN	RONDELL.M10 10,5X20X2 U6592 ZN	SCHEIBE M10 10,5X20X2 U6592 ZN	ARAND. M10 10,5X20X2 U6592 ZN
27	F01420060	ROS.M10 10,5X 30X2,5 U6593 ZN	WASHER 10,5X30	RONDELLE 10,5X30	SCHEIBE 10,5X30	ARANDELA 10,5X30
28	F02200194	COPIGLIA 4X 25 U1336 ZN	SPLIT PIN 4 X25 1336 GALVAN.	GOUPILLE 4 X25 1336 ZN	SPLINT 4 X25 1336 ZN	PASADOR 4 X25 1336 ZN
29	F02200363	COPIGLIA R 3X 62 ZN	SPRING SPLIT PIN 3X 62 ZN	GOUPILLE R 3X62	SPLINT R 3X62	CHAVETA R 3X62
30	F06120066	RUOTINO FLEX 170 X 30	WHEEL FLEX 170X 30			
31	G15827980	ASSE RUOTA 250X170	WHEEL AXLE 250X170	AXE ROUE 250X170	RADACHSE 250X170	EJE RUEDA 250X170
32	G15826561	ASSE RUOTA 250X100	AXLE	AXE	ACHSE	EJE
33	G19005600	DISTANZIALE D.20 XD.27 X10.5				
34	F04010131	CUSC.D20 D42 B12 6004-2RSH EX>	BEARING D20 D42 B12 6004-2RSH	ROULEMENT 6004	LAGER 6004	COJINETE 6004
35	G19005320	FIANCO RUOTA D.250				
36	G15829770	ASS.ANELLO INOX D.250X170	RING D.250X170	BAGUE D.250X170	RING D.250X170	ANILLO D.250X170
37	G15829360	DISTANZIALE D.39-45 L.90,5 ZN				
38	F01030038	VITE M6X1X20 U5933 10.9 ZD	SCREW M6X 1X20 U5933 10.9 ZD	VIS M 6X20	SCHRAUBE M 6X20	TORNILLO M 6X20
39	G15882480	SUPP.BASCULANTE				
40	G15882470	PIATTO DX SUPP.BASCULANTE				
41	G18801680	BOCCOLA 11 X25 X7,5 ZN	BUSHING 11X25X7,5 GALVA	BOITE 11X25X7,5 ZN	BsCHSE 11X25X7,5 ZN	CASQUILLO 11X25X7,5 ZN
42	F01020043	VITE M6X1X60 U5737 8.8 ZN	SCREW M6X 1X60 U5737 8.8 ZN	VIS 6 X60 5737 8.G ZN	SCHRAUBE 6 X60 5737 8.G ZN	TORNILLO 6 X60 5737 8.G ZN
43	F01230022	DADO M 6X 1 D982 8 ZN	NORM.SELF-LOCKING NUT 6 GALVAN	ECROU AUTOB.NOR.6 ZN	SELBSTSP. MUTTER NOR.6 ZN	TUERCA AUTOB. NOR. 6 ZN
44	F01020404	VITE M6X1X20 U5739 8.8 ZN	SCREW M 6X 1X20 U5739 8.8 ZN	VIS 6X20 5739 8.G ZN	SCHRAUBE 6X20 5739 8.G ZN	TORNILLO 6X20 5739 8.G ZN
45	G15882180	PIASTRA				
46	G15882190	RASCHIATORE IN GOMMA				
47	G15882160	SUPPORTO DX				
48	G20980037	BOCCOLA 15X10,25X8	BUSHING 15X10,25X8	BOITE 15X10,25X8	BsCHSE 15X10,25X8	CASQUILLO 15X10,25X8
49	F01020470	VITE M10X1,5X20 U5739 8.8 ZN	BOLTM 10X20	VIS M 10X20	SCHRAUBE M 10X20	TORNILLO M 10X20
50	G15882171	SUPPORTO RASCHIATERRA GOMMA				
51	F01220011	DADO M 6X 1 D980 8 ZN	NUT M6X1 D980 8 ZN	ECROU M6X1 D980 8 ZN	MUTTER M6X1 D980 8 ZN	TUERCA M6X1 D980 8 ZN
52	G18904170	MOLLA SPORTELLO GRANDE	LARGE HATCH SPRING	RESSORT PORTILLON GRAND	GROSSE KLAPPE FEDER	MUELLE DE PORTILLO GRANDE
53	G15882150	SUPPORTO SX				
54	F01030041	VITE M6X1X10 U5933 10.9 ZD	BOLT 6x10 5933 10.9 GALVANIZ.	VIS 6x10 5933 10.9 ZN	SCHRAUBE 6x10 5933 10.9 ZN	TORNILLO 6x10 5933 10.9 ZN
55	F01410088	ROS.M14 15X 28X2,5 U6592 ZN	WAS.M14 15X 28X2,5 U6592 ZB	RON.M14 15X 28X2,5 U6592 ZB	SCH.M14 15X 28X2,5 U6592 ZB	ARA.M14 15X 28X2,5 U6592 ZB

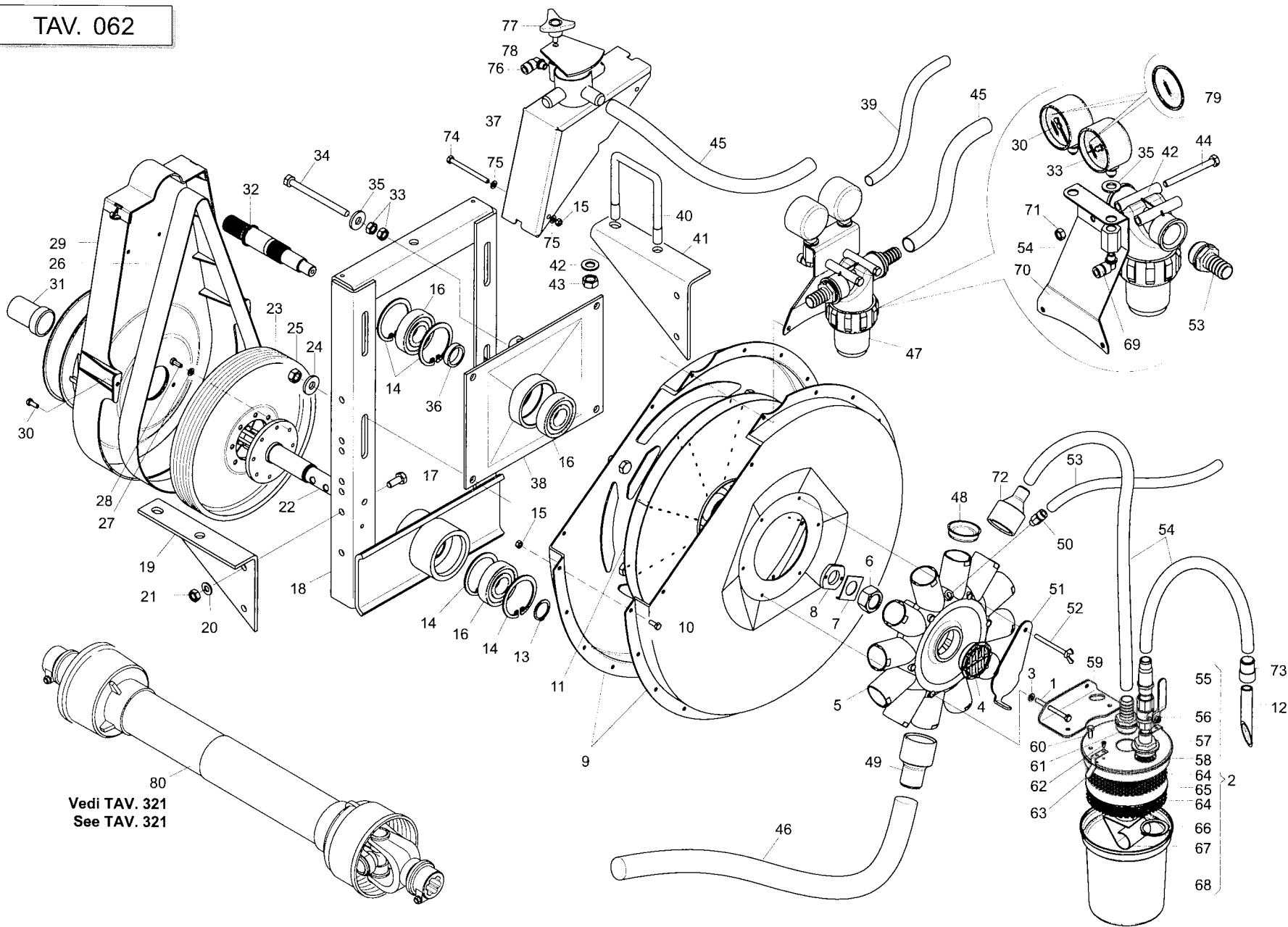
TAV. 062



## DEPRESSORE

Pos.	Cod.	Descrizione	Description	Description	Benennung	Descrpcion
1	F01020047	VITE M6X1X70 U5737 8.8 ZN	SCREW M6X 1X70 U5737 8.8 ZN	VIS 6 X70 5737 8.G ZN	SCHRAUBE 6 X70 5737 8.G ZN	TORNILLO 6 X70 5737 8.G ZN
2	G15855361	ASPIRASEME COMPL	SEED SUCTION GROUP	GROUPE ASPIRATEUR DE GRAINES	GEBL-SEAGGREGAT	GRUPO ASPIRASEMILLAS
3	F01430047	ROS.M6 6,4X 11X0,7 U8842J ZN	WASHER D6 DIN 6798 D.INT.GALV.	RONDELLE D6 DIN 6798 D. INT. Z	UNT. SCHEIBE D6 DIN 6798 D. IN	ARANDELA D6 DIN 6798 D.INT.ZN
4	G19005240	TAPPO ASPIRAZIONE FORATO	FLANGE	BRIDE	FLANSH	BRIDA
5	G19004480	CONVOGLIATORE 12 USCITE	CONVEYOR 12 OUTLETS	CONVOYEUR 12 SORTIES	TRICHTER MIT 12 AUSG-NGEN	TRANSPORTADOR 12 SALIDAS
6	F01230143	DADO M24X 2 D982 8 ZN	NUT M24X2 D982 8 ZN	ECROU M24X2 D982 8 ZN	MUTTER M24X2 D982 8 ZN	TUERCA M24X2 D982 8 ZN
7	G13912060	PIASTRINA DI TENUTA	STOP PLATE	PLAQUETTE DE TENUE	DICHTPLZTTCHEN	PLACA DE RETENCIN P
8	G13912050	RONDELLA DI FERMO	STOP WASHER	RONDELLE DE BLOCAGE	FESTSTELLSCHEIBE	ARANDELA DE BLOQUEO
9	G22230335	INVOLUCRI DEPRESSORE	VACUUM PUMP CASINGS	ENVELOPPES DEPRESSEUR H	sLLEN VAKUUMPUMPE C	AJAS BOMBA VACO CA
10	F01020403	VITE M6X1X16 U5739 8.8 ZN	SCREW M6X1X16 U5739 8.8 ZN	VIS M6X1X16 U5739 8.8 ZN	SCHRAUBE M6X1X16 U5739 8.8 ZN	TORNILLO M6X1X16 U5739 8.8 ZN
11	G22230015	GIRANTE				
12	F03100277	TUBO PVC ANTIG.NEU.TRA.14X19	PIPE- ANTIFREEZE NEU.TRA. 14X19	TUBE PVC TRA. 14X19	ROHR PVC FROSTSCHUTZNEU.TRA.14	TUBO PVC ANTICONG.14X19
13	F02050112	ANELLO E. DE 30X 1,5 U7435 C70	SEEGER RING 30X 1,5 U7435 C70	SEEGER E. 30 X 1,5 U7435 C70	SEEGERING E. 30X 1,5 U7435 C70	ANILLO E. 30 X 1,5 U7435 C70
14	F02050403	ANELLO E. DI 72X 2,5 U7437 C70	SEEGER RING E.72X2,5 U7437 C70	SEEGER E. 72X 2,5 U7437 C70	SEEGERING E. 72X 2,5 U7437 C70	ANILLO E. 72X 2,5 U7437 C70
15	F01220011	DADO M 6X 1 D980 8 ZN	NUT M6X1 D980 8 ZN	ECROU M6X1 D980 8 ZN	MUTTER M6X1 D980 8 ZN	TUERCA M6X1 D980 8 ZN
16	F04010215	CUSC.D30 D72 B19 6306 2RSC3 EX	BEARING D30 D72 B19 6306 2RSC3	PALIER 6306 2RS C3	LAGER 6306 2RS C3	COJINETE 6306 2RS C3
17	F01020472	VITE M10X1,5X25 U5739 8.8 ZN	BOLT 10X25 5739 8.G GALVANIZED	VIS 10X25 5739 8.G ZN	SCHRAUBE 10X25 5739 8.G ZN	TORNILLO 10X25 5739 8.G ZN
18	G15850200	INCASTELLATURA DEPRESSORE	DIFFUSION AIR PUMP FRAME	B-TI POMPE A D+PRESSION	GESTELL VAKUUMPUMPE	ARMAZÉN BOMBA VAC-O
19	G15450061	SUPPORTO SX				
20	F01430023	ROS.M10 10,5X 18X0,9 U8842J ZN	WASHER D10 DIN 6798 D.INT.ZN	RONDELLE D10 DIN 6798 D. INT.	UNT. SCHEIBE D10 DIN 6798 D.IN	ARANDELA D10 DIN 6798 D.INT.ZN
21	F01200270	DADO M10X 1,5 U5588 6.8 ZN	NUT M10X 1,5 U5588 6.8 ZN	ECROU M10X 1,5 U5588 6.8 ZN	MUTTER M10X 1,5 U5588 6.8 ZN	TUERCA M10X 1,5 U5588 6.8 ZN
22	G22270369	P.DI P.CON CODOLO	POWER TAKE-OFF- W/ SPIGOT	PRISE DE FORCE AVEC CONE	KRAFTABTRIEB MIT ENDSTsCK	TOMA DE FUERZA CON MANGO
23	G22230012	PULEGGIA MOTRICE	DRIVING PULLEY	POULIE MOTRICE 540T	ANTRIEBSSCHEIBE	POLEA MOTRIZ
24	F01420084	ROS.M14 14,5X 36X 3 U6593 ZN	GALVANIZED WASHER 14 X36 X3	RONDELLE 14 X36 X3 ZN	UNTERLEGSscheibe 14 X36 X3 ZN	ARANDELA 14 X36 X3 ZN
25	F01200293	DADO M12X1,75 U5588 6.8 ZN	NUT M12X1,75 U5588 6.8 ZN	ECROU M12X1,75 U5588 6.8 ZN	MUTTER M12X1,75 U5588 6.8 ZN	TUERCA M12X1,75 U5588 6.8 ZN
26	F06010160	CINGHIA POLY V 1287 J-16 GOLE	BELT POLY V 1287 J-16 CU GAL	COURROIE POLY V 1287 J-16 GOR		BANDA POLY V 1287 J-16 GOLE
27	F01430047	ROS.M6 6,4X 11X0,7 U8842J ZN	WASHER D6 DIN 6798 D.INT.GALV.	RONDELLE D6 DIN 6798 D. INT. Z	UNT. SCHEIBE D6 DIN 6798 D. IN	ARANDELA D6 DIN 6798 D.INT.ZN
28	F01020403	VITE M6X1X16 U5739 8.8 ZN	SCREW M6X1X16 U5739 8.8 ZN	VIS M6X1X16 U5739 8.8 ZN	SCHRAUBE M6X1X16 U5739 8.8 ZN	TORNILLO M6X1X16 U5739 8.8 ZN
29	G15450342	PROTEZ.CINGHIA DEPRES.COMPLETO	BELT PROTECTION			
30	F03151288	VACUOM.0-100 MBAR C.SM.INC.D80	VACUUM METER 0-100 MBAR C.SMOR	VACUOMETRE 0-100 MBARS/SUPPO	VAKUUMMETER 0-100 MBAR M. DZMP	VACUM. 0-100 MBAR C.ATEN.INC.V
31	G19002131	PROTEZIONE P.D.P.				
32	G15450390	PULEGGIA CONDOTTA	DRIVEN PULLEY D.28	POULIE ENTRAINEE D. 28	GETRIEBENE SCHEIBE D.28	POLEA CONDUCIDA D.28
33	F03151287	MANOM.0 A 25 MBAR C.SM.INC.D80	MANOM.0 TO 25 MBAR CUSHION D80			
34	G15450270	VITE 10X130 8.8 FIL.60 ZN	GALVANIZ. SCREW 10X130 8.8 FIL	VIS 10X130 8.8 FIL.60 ZN	SCHRAUBE 10X130 8.8 GEW.60 ZN	TORNILLO 10X130 8.8 FIL.60 ZN
35	F05150479	ROND.APPOGGIO MANOMETRI SV	PRESSURE GAUGE REST WASHER	ROND. LOGEMENT MANOMETRES SV	StsTZSCHEIBE MANOMETER SV	ARAND. SOPORTE MANOMETROS SV
36	G22230014	DISTANZIALE	SPACER	ENTRETOISE	DISTANZStsCK	DISTANCIADOR
37	G15850140	CONVOGLIATORE	SEED FUNNEL	CONVOYEUR	TRICHTER	TRANSPORTADOR
38	G15850280	SUPPORTO PULEGGIA CONDOTTA				
39	F03100391	TUBO POLIURETANO 8-6	POLIURETHAN PIPE 8-6			
40	F20110770	CAV.Q.M14X 2X 50 96X119 ZN	U BOLT M14X2X50 96X119 ZN	BRIDE U M14X2X50 96X119 ZN	ANSCHLANG U M14X2X50 96X119 ZN	EL.DE EMPALME M14X2X50 96X119
41	G15450051	SUPPORTO DX				
42	F03151149	FILTRO LINEA 1'F 100 MESH	LINE FILTER 1'F 100 MESH	FILTRE LIGNE 1'F 100 MESH	LEITUNGSFILTER 1' F 100 MESH	FILTRO LINEA 1'F 100 MESH
43	F01200306	DADO M14X 2 U5588 6.8 ZN	NUT M14X2	ECROU M14X2	MUTTER M14X2	DADO M14X2
44	F01020086	VITE M 8X1,25X80 U5737 8.8 ZN	BOLT M8X1X80	VIS M8X1X80	SCHRAUBE M8X1X80	TORNILLO M8X1X80
45	F03100385	TUBO FLEX EOLO DIAM.22				
46	F03100500	TUBO EOLO 35 PU	TUBE EOLO 35 PU	TUBE EOLO 35 PU		
47	G15855370	FILTRO E MANOMETRI COMPL	FILTER AND PRESSURE GAUGE UNIT	GROUPE FILTRE ET MANOMETRES	FILTER- UND MANOMETERAGGREGAT	GRUPO FILTRO Y MANOMETROS
48	F05050020	TAPPO SALVAFIETTO D.39	CONVEYOR PLUG D.39	BOUCHON PROTEGE-FILET D. 39	GEWINDESCHUTZPFROPFEN D.39	TAPN GUARDARROSCA D.39 D
49	G19005250	RIDUZIONE CONVOGLIATORE 45-35				
50	F03151197	RACC.SUPERAPIDO DRITTO 1/8G-8>				
51	G15855330	PORTELLO REGOLAZ.ASPIRAZIONE	ASPIRATION ADJUSTMENT FLAP	PORTE REGLAGE ASPIRATION	EINSTELLUNGSDECKEL GEBL-SE	REGISTRO REGULADOR DE ASPIRACI
52	F01090204	VITE M6X1X70 U5449 5.8 ZN	GALVAN. SCREW 6X70 5449 5.8	VIS 6X70 5449 5.8 ZN	SCHRAUBE 6X70 5449 5.8. ZN	TORNILLO 6X70 5449 5.8 ZN
53	F03151183	P/GOMMA 1"X22 M COD.2130	HOSE 1"X22 M	RACCORD PLASTIQUE 1"X22 M	P/GUMMI 1"X22 M	P/CAUCHO 1"X22 M
54	G22250274	COLLEGAMENTO MANOMETRI SP-SV	PRESSURE GAUGE CONNECT. SP-SV	RACCORD MANOMETRES SP-SV	VERBINDUNG MANOMETER SP-SV	CONEXIN MANMETROS SP-SV LE
55	F03151185	P/GOMMA PVC 1/2X20 >	PVC 1/2X20 RUBBER/TIRE-CARRIER	PORTE-ROUE PVC 1/2X20	REIFENHALTERUNG PVC 1/2X20	CARGA GOMA PVC 1/2X20

TAV. 062

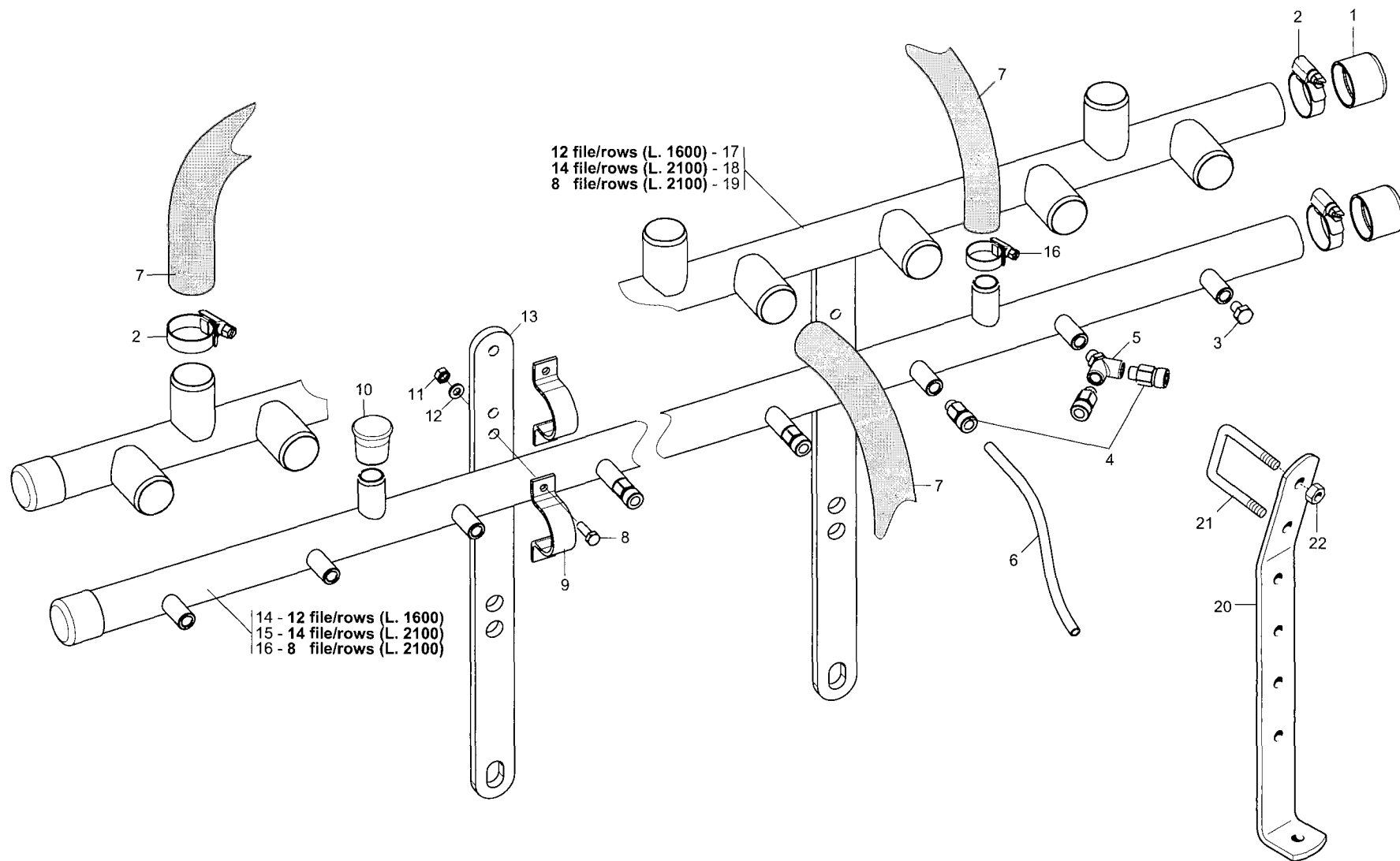


**DEPRESSORE**

**TAV. 062**

Pos.	Cod.	Descrizione	Description	Description	Benennung	Description
56	F03151243	RUBINETTO	BREATHERTAP	BOUCHON REFOUL.	ENTLsFTUNGSPFROPFEN	TAPON PURGADOR
57	G15850300	RIDUZIONE G1'-G1/2'	REDUCTION G1'-G1/2'	REDUCTION G1'-G1/2'	UNTERSETZUNG G1'-G1/2'	REDUCCIN G1'-G1/2'
58	G10551031	COPERCHIO ASPIRASEMI				
59	G15855350	SUPPORTO ASPIRASEME	SEED SUCTION SUPPORT	SUPPORT ASPIRATEUR DE GRAINES	GEBL-SEHALTERUNG	SOPORTE ASPIRA SEMILLAS
60	F01020403	VITE M6X1X16 U5739 8.8 ZN	SCREW M6X1X16 U5739 8.8 ZN	VIS M6X1X16 U5739 8.8 ZN	SCHRAUBE M6X1X16 U5739 8.8 ZN	TORNILLO M6X1X16 U5739 8.8 ZN
61	F03151183	P/GOMMA 1"X22 M COD.2130	HOSE 1"X22 M	RACCORD PLASTIQUE 1"X22 M	P/GUMMI 1"X22 M	P/CAUCHO 1"X22 M
62	F01070047	VITE M3,5X1,34X9,5 U6954 4.8NI	BOLT 3-5X 9-5 DIN 7981	VIS 3-5X 9-5 DIN 7981	SCHRAUBE 3-5X 9-5 DIN 7981	TORNILLO 3-5X 9-5 DIN 7981
63	G18904440	STAFFA FISSAGGIO BRACCI ZN				
64	G22250314	GRIGLIA FILTRO ASPIRASEMI SV	SEED SUCTION FILTER GRID SV	GRILLE FILTRE ASPIRATEUR DE GR	GITTER SAMENABSAUGERFILTER SV	REJILLA FILTRO ASPIRADOR DE SE
65	G22250315	FILTRO ASPIRASEMI SV	SEED SUCTION FILTER SV	FILTRE ASPIRATEUR DE GRAINES S	SAMENABSAUGFILTER SV	FILTRO ASPIRADOR DE SEMILLAS S
66	F02050168	ANELLO E. DE 40X1,75 U7435 C70	SEEGER RING 40X1,75 U7435 C70	BAGUE SEEGER 40X1,75 U7435 C70	SEEGERRING 40X1,75 U7435 C70	ANIL SEEGER 40X1,75 U7435 C70
67	G22250316	DEFLETTORE ASPIRASEMI SV	SEED SUCTION DEFLECTOR SV	DEFLECTEUR ASPIR. DE GRAINES SV	ABLENKER SAMENABSAUGER SV	DEFLECTOR ASPIRADOR DE SEMILLA
68	F05150389	CONTENIT.SOTTOVUOT.LT.2 AR.122	VACUUM CONTAINER LT.2 AR.122	CONTENEUR SOUS VIDE LT. 2 AR.	LUFTDICHTER BEHZLTER .L2 AR.	CONTENED. AL VACO LT. 2 AR.12C
69	F03150821	ADATT. OCCHIO 1/4 L.38	EYE UNION 1/4 L.38	RACCORD OEIL 1/4 L.38	TSENVERBINDUNGSSTsCK 1/4 L.38	UNIN OJO 1/4 L.38 R
70	G15855340	SUPP.FILTRO E MANOMETRI	FILTER AND PRESSURE GAUGE SUPP	SUPPORT FILTRE ET MANOMETRES	FILTER-UND MANOMETERHALTERUNG	SOPORTE FILTRO Y MANÉMETROS
71	F01200244	DADO M 8X1,25 U5588 6.8 ZN	NUT M8 X1,25 U5588 6.8 ZN	ECROU M8 X1,25 U5588 6.8 ZN	MUTTER M8 X1,25 U5588 6.8 ZN	TUERCA M8 X1,25 U5588 6.8 ZN
72	G19005260	RIDUZIONE CONVOGLIATORE 45-22	CONVEYOR REDUCTION 45-22	REDUCTION DE CONVOYEUR 45-22	FTRDERERUNTERSETZUNG 45-22	REDUCCIN DE CONDUCTOR 45-22
73	G19005270	RIDUZIONE CONVOGLIATORE 22-19	CONVEYOR REDUCTION 22-19	REDUCTION DE CONVOYEUR 22-19	FTRDERERUNTERSETZUNG 22-19	REDUCCIN DE CONDUCTOR 22-19
74	F01020050	VITE M6X1X80 U5737 8.8 ZN	SCREW M6X 1X80 U5737 8.8 ZN	VIS 6 X80 5737 8.G ZN	SCHRAUBE 6 X80 5737 8.G ZN	TORNILLO 6 X80 5737 8.G ZN
75	F01420036	ROS.M6 6,4X 18X 2 U6593 ZN	FLAT WASHER 6-6X 18X2 6593 ZN	ROND. PLATE 6-6X 18X2 6593 ZN	SCHLEIBE 6-6X 18X2 6593 ZN	ARAND. PLANA 6-6X 18X2 6593 ZN
76	F03151200	RACCORDO 90° C5 1/8" 6/8	UNION 90° C5 1/8" 6/8	RACCORD 90° C5 1/8" 6/8	ANSCHLUSSSTsCK 90° C5 1/8" 6/8	UNION 90° C5 1/8" 6/8
77	F06220018	VOLANTINO 3LOBI D.65-M8X15	3-LOBE HANDWHEEL D.65-M8X15	VOLANT 3 LOBES D.65-M8X15	HANDRAD 3 BUCKEL D.65-M8X15	VOLANTE 3 LOBI D.65-M8X15
78	G22250118	PORTA CHIUSURA CAMERE SV	CHAMBER CLOSURE INSPECTION DOO	PORTE FERMETURE CHAMBRES SV	KAMMERN ABSCHLUSSSTsR SV	PUERTA DE CIERRE CAMARAS SV
79	F03151356	VETRO VACUOM.0-100 MBAR D80				
80	F08011711	CARD B1 Z6-Z6 L700				

TAV. 071



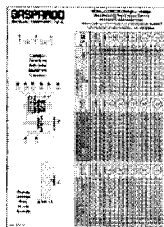
**IMPIANTO ASPIRAZIONE E SOFFIAGGIO**

**TAV. 071**

Pos.	Cod.	Descrizione	Description	Description	Benennung	Description
1	G66248098	TAPPO CONVOGLIATORE DEPR. SP	AIR PUMP CONVEYOR PLUG SP	BOUCHON CONVOYEUR TURBINE SP	VAKUUM FTRDERPFROPFEN SP	TAPN CONDUCTOR DEPR. SP D
2	F02300020	FASCETTA STRING 32/50 H.9	STRING FASTEN.STRAPS 32/50 H.9	COLLIER 32/50 H.9	SHELLE 32/50 H.9	ABRAZADERA 32/50 H.8
3	F05150473	PUNTALE PVC D.20	PVC TIP D.20	EMBOUT PVC D. 20	STTSSELSCHAFT PVC D.20	PUNTAL PVC D.20
4	F03151197	RACC.SUPERAPIDO DRITTO 1/8G-8>				
5	F03151225	RACCORDO Y 1/8G F-F-M >	UNION Y 1/8G F-F-M	RACCORD Y 1/8G F-F-M	ANSCHLUSSTsCK Y 1/8G F-F-M	UNIN Y 1/8G F-F-M
6	F03100391	TUBO POLIURETANO 8-6	POLIURETHAN PIPE 8-6			
7	F03100500	TUBO EOLO 35 PU	TUBE EOLO 35 PU	TUBE EOLO 35 PU		
8	F01020404	VITE M6X1X20 U5739 8.8 ZN	SCREW M 6X 1X20 U5739 8.8 ZN	VIS 6X20 5739 8.G ZN	SCHRAUBE 6X20 5739 8.G ZN	TORNILLO 6X20 5739 8.G ZN
9	G22250091	FORCELLA SUPP.TUBI SV	FORK	FOURCHETTE SUPPORT TUBES SV	GABEL ROHRHALTERUNG SV	HORQUILLA SOPORTE TUBOS SV
10	F05150473	PUNTALE PVC D.20	PVC TIP D.20	EMBOUT PVC D. 20	STTSSELSCHAFT PVC D.20	PUNTAL PVC D.20
11	F01200232	DADO M 6X 1 U5588 6.8 ZN	NUT 6 UNI 5588 6.8 GALVANIZED	ECROU 6 UNI 5588 6.8 ZN	MUTTER 6 UNI 5588 6.8 ZN	TUERCA 6 UNI 5588 6.8 ZN
12	F01410037	ROS.M6 6,4X12,5X1,6 U6592 ZN	PLANE WASHER D.6	RONDELLE D.6	SCHEIBE D.6	ARANDELA D.6
13	G15855170	SUPPORTO RAMPA SOFFIAGGIO	BLOWER RAMP SUPPORT	SUPPORT RAMPE SOUFFLAGE	GEBL-SERAMPENHALTERUNG	SOPORTE RAMPADE SOPLO
14	G15855150	RAMPA SOFFIAGGIO 1600X12	1600X12 BLOW RAMP COUPLING	ASS. RAMPE SOUFFLAGE 1600X12	GEBL-SERAMPENKOMPLEX 1600X12	CONJ. RAMPA DE SOPLO 1600X12
15	G15855240	RAMPA SOFFIAGGIO 2100X14	2100X14 BLOW RAMP COUPLING	ASS. RAMPE SOUFFLAGE 2100X14	GEBL-SERAMPENKOMPLEX 2100X14	CONJ. RAMPA DE SOPLO 2100X14
16	G15855280	RAMPA SOFFIAGGIO 2100X8	2100X8 BLOW RAMP COUPLING	ASS. RAMPE SOUFFLAGE 2100X8	GEBL-SERAMPENKOMPLEX 2100X8	CONJ. RAMPA DE SOPLO 2100X8
17	G15855140	RAMPAASPIRAZIONE 1600X12	1600X12 BLOW RAMP COUPLING	ASS. RAMPE ASPIRATION 1600X12	GEBL-SERAMPENKOMPLEX 1600X12	CONJ. RAMPA DE ASPIRACIEN 160
18	G15855230	RAMPAASPIRAZIONE 2100X14	2100X14 BLOW RAMP COUPLING	ASS. RAMPE ASPIRATION 2100X14	GEBL-SERAMPENKOMPLEX 2100X14	CONJ.. RAMPA DE ASPIRACIEN 210
19	G15855270	RAMPAASPIRAZIONE 2100X8	2100X8 BLOW RAMP COUPLING	ASS. RAMPE ASPIRATION 2100X8	GEBL-SERAMPENKOMPLEX 2100X8	CONJ.. RAMPA DE ASPIRACIEN 210
20	G15850000	SUPP.TUBI ASP. E SOFF.	PIPE SUPPORT	SUPPORT TUBES	ROHRHALTERUNG	SOPORTE TUBOS
21	F20110706	CAV.Q.M10X 1,5X 30 47X 60 ZN	DISK SUPPORT.ELEMENT U BOLT SV	CAVALIER SUPPORT DISQUE SV	VERBINDUNG SCHEIBENHALTERUNG S	PERNO EN U SOP. DISCO SV
22	F01200270	DADO M10X 1,5 U5588 6.8 ZN	NUT M10X 1,5 U5588 6.8 ZN	ECROU M10X 1,5 U5588 6.8 ZN	MUTTER M10X 1,5 U5588 6.8 ZN	TUERCA M10X 1,5 U5588 6.8 ZN

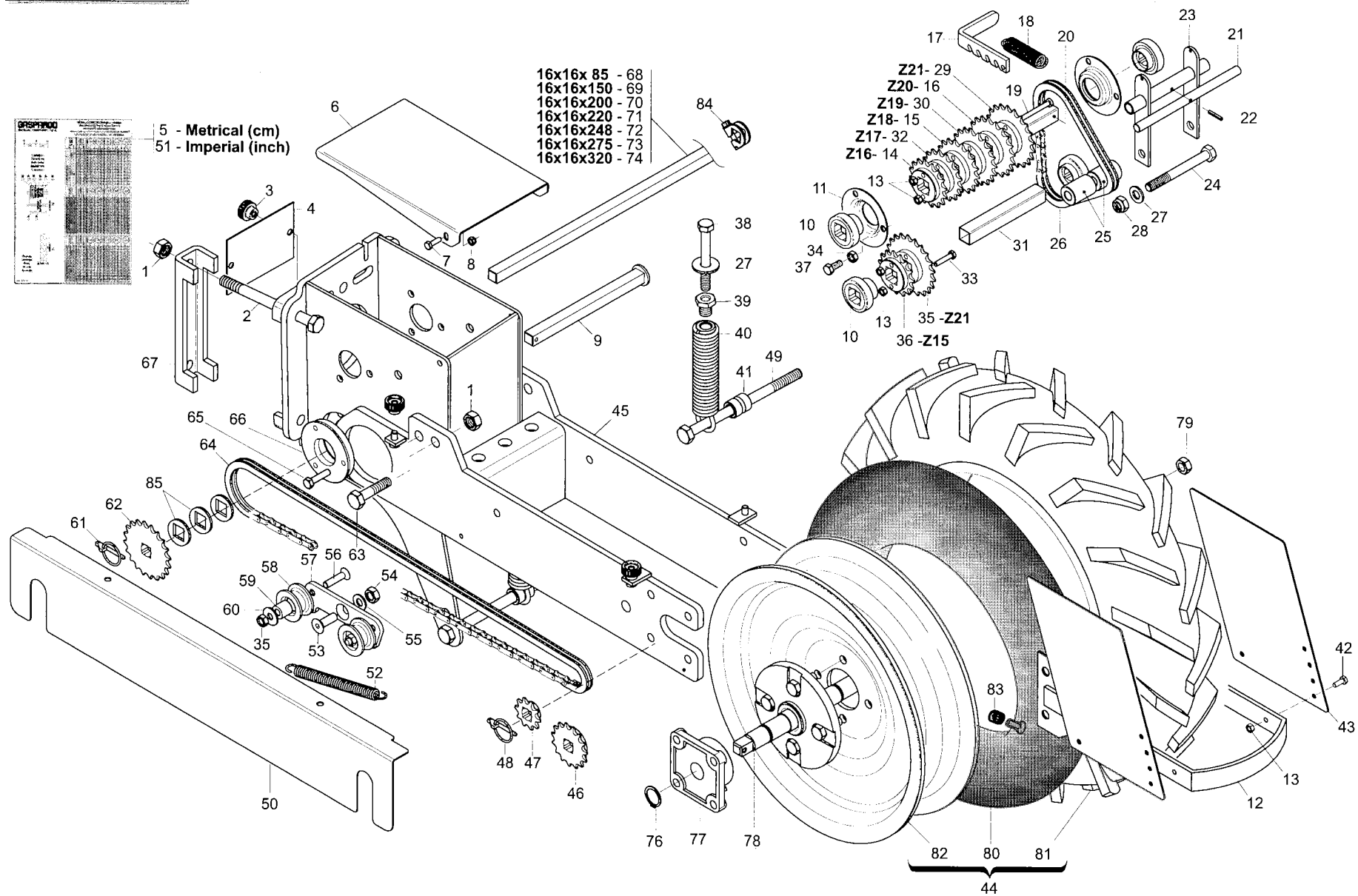


TAV. 081



5 - Metrical (cm)  
51 - Imperial (inch)

- 16x16x 85 - 68
- 16x16x150 - 69
- 16x16x200 - 70
- 16x16x220 - 71
- 16x16x248 - 72
- 16x16x275 - 73
- 16x16x320 - 74

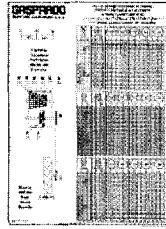


**RUOTA DI TRASMISSIONE**

**TAV. 081**

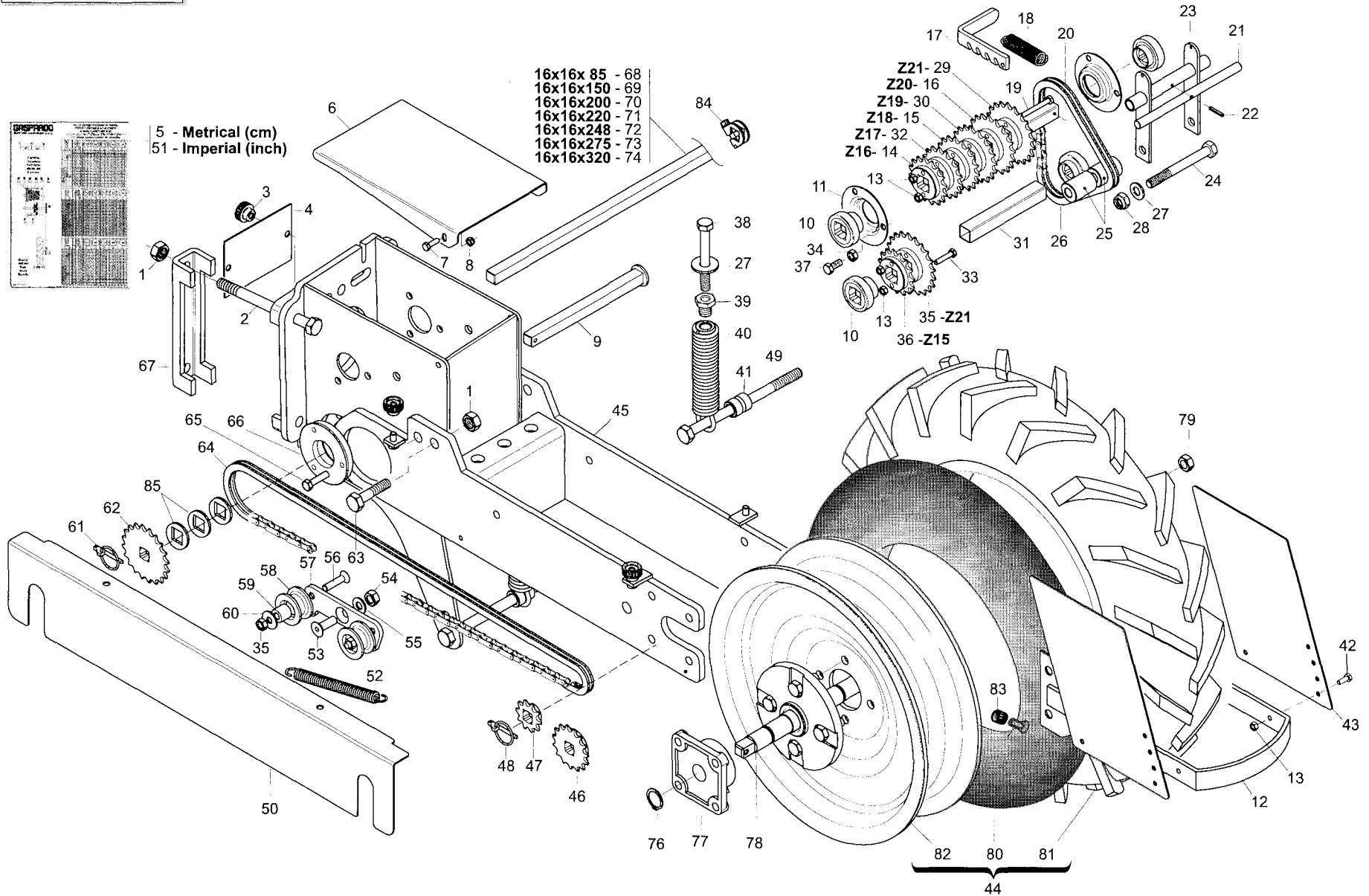
Pos.	Cod.	Descrizione	Description	Description	Benennung	Descrpcion
1	F01200306	DADO M14X 2 U5588 6.8 ZN	NUT M14X2	ECROU M14X2	MUTTER M14X2	DADO M14X2
2	F01020221	VITE M14X2X140 U5737 8.8 BR	BOLT M 14 X140 5737 8.8 G	VIS M 14 X140 5737 8.8 G	SCHRAUBE M 14 X140 5737 8.8 G	TORNILLO M 14 X140 5737 8.8 G
3	F06220037	VOLANTINO ZIGR.D.26-M8 FEM				FOLLETO ZIGR.D.26-M8
4	G22250035	PORTA DI CHIUSURA SV	CLOSURE DOOR SV	PORTE DE FERMETURE SV	ABSCHLUSSSTÖR SV	PUERTA DE CIERRE SV
5	G19704260	TABELLA DISTANZA DI SEMINA R	R SEED PLANTING DISTANCE TABLE	TABLEAU DISTANCE DE SEMIS R	TABELLE AUSSAATSABSTAND R	TABLA DE DISTANCIA DE SIEMBRA
6	G15835170	COPERCHIO SCATOLA CAMBIO R.5"	GEARBOX COVER R.5"	COUVERCLE BOITE DE VITESSE R.5	DECKEL GETRIEBEGEHÜSE R.5"	TAPA CAJA DEL CAMBIO R.5"
7	F01040063	VITE M6X1X20 U5931 8.8 ZN	BOLT M 6	VIS M 6	SCHRAUBE M 6	TORNILLO M 6
8	F01230022	DADO M 6X 1 D982 8 ZN	NORM.SELF-LOCKING NUT 6 GALVAN	ECROU AUTOB.NOR.6 ZN	SELBSTSP. MUTTER NOR.6 ZN	TUERCA AUTOB. NOR. 6 ZN
9	G22250037	ASSE INF.CAMBIO SV	LOWER GEARBOX SPINDLE SV	AXE INF. BOITE DE VITESSE	UNTERE GETRIEBEACHSE SV	EJE INF. CAMBIO SV
10	G10538350	CUSCINETTO FORO QUADRO RIB.	SQUARE HOLE BEARING	PALIER TROU CARRE	LAGER VIERKANTLOCH	COJINETE ORIFICIO CUADRADO
11	G22230094	SUPPORTO CUSCINETTO	BEARING SUPPORT	SUPPORT PALIER	LAGERBÜCHSE	SOPORTE COJINETE
12	G10530101	ASS.RASCHIATERRA	SOIL SCRAPER ASSEMBLY	GR. RACLEUR	ERDSCHABER	CONJ. RASC. TIERRA
13	F01200232	DADO M 6X 1 U5588 6.8 ZN	NUT 6 UNI 5588 6.8 GALVANIZED	ECROU 6 UNI 5588 6.8 ZN	MUTTER 6 UNI 5588 6.8 ZN	TUERCA 6 UNI 5588 6.8 ZN
14	G10530690	PIGNONE Z16 1/2-3/16 Q.20,5 ZN	GEAR Z16 1/2-3/16 Q.20,5 ZN			
15	G22250045	CORONA CAMBIO Z-18 SV	GEARBOX RING GEAR Z-18 SV	COURONNE BOITE DE VITESSE	GETRIEBEKRANZ Z-18 SV	CORONA CAMBIO Z-18 SV
16	G22250047	CORONA CAMBIO Z-20 SV	GEARBOX RING GEAR Z-20 SV	COURONNE BOITE DE VITESSE	GETRIEBEKRANZ Z-20 SV	CORONA CAMBIO Z-20 SV
17	G22250038	MANIGLIA SV	HANDLE SV	POIGNEE SV	GRIFF SV	MANIJA SV
18	G65337005	MOLLA TRAZ.CAMBIO SV	TRACTION COUPLING SPRING- GEAR	RESSORT TRACT. BOITE DE VITESSE	ZUGFEDER GETRIEBE SV	MUELLE TRAC. CAMBIO SV
19	F01020050	VITE M6X1X80 U5737 8.8 ZN	SCREW M6X 1X80 U5737 8.8 ZN	VIS 6 X80 5737 8.8 G ZN	SCHRAUBE 6 X80 5737 8.8 G ZN	TORNILLO 6 X80 5737 8.8 G ZN
20	G10530361	TUBO Q. 20X1,2X 107	SQUARE PIPE 20X1,2X 110			
21	G22250040	SPINA TENDICATENA SV	CHAIN TIGHTENER PIN SV	BROCHE TENDEUR DE CHAÎNE SV	KETTENSANNERSTIFT SV	CLAVIJA TENSOR DE CADENA SV
22	F02100062	SPINA E.P. 4X 24 U6873 C70 BR	PIN EL. 4 X24 DIN 1481	FICHE EL. 4 X24 DIN 1481	SPANNSTIFT 4 X24 DIN 1481	CLAVIJA EL. 4 X24 DIN 1481
23	G10530271	TENDICATENA CAMBIO				
24	F01020172	VITE M12X1,75X110 5737 8.8 ZN	SCREW M12X1,75X110 5737 8.8 ZN	VIS 12X110 5737 8.8 G ZN	SCHRAUBE 12X110 5737 8.8 G ZN	TORNILLO 12X110 5737 8.8 G ZN
25	G66248024	RULLO TEND. SP	TIGHTENER ROLLER SP	ROULEAU TENDEUR SP	SPANNERROLLE SP	RÓDILLO TENSOR SP
26	F06080017	CATENA 1/2 ISO 083 42 MAGLIE	CHAIN 1/2 ISO 083 42 SHACKLE			
27	F01430071	ROS.M12 13X20,5X 1 U8842J ZN	WASHER D12 DIN 6798 D.INT.ZN	RONDELLE D12 DIN 6798 D. INT.	UNT. SCHEIBE D12 DIN 6798 D.IN	ARANDELA D12 DIN 6798 D.INT.ZN
28	F01230058	DADO M12X1,25 D982 8 ZN	NUT M12X1,25 D982 8 ZN	ECROU M12X1,25 D982 8 ZN	MUTTER M12X1,25 D982 8 ZN	DADO M12X1,25 D982 8 ZN
29	G22250048	CORONA CAMBIO Z-21 SV	GEARBOX RING GEAR Z-21 SV	COURONNE BOITE DE VITESSE	GETRIEBEKRANZ Z-21 SV	CORONA CAMBIO Z-21 SV
30	G22250046	CORONA CAMBIO Z-19 SV	GEARBOX RING GEAR Z-19 SV	COURONNE BOITE DE VITESSE	GETRIEBEKRANZ Z-19 SV	CORONA CAMBIO Z-19 SV
31	G22250053	DISTAN.INFERIORE SV	LOWER SPACER SV	ENTRETOISE INF. SV	UNTERES DISTANZSTÜCK SV	DISTAN. INFERIOR SV
32	G22250044	CORONA CAMBIO Z-17 SV	GEARBOX RING GEAR Z-17 SV	COURONNE BOITE DE VITESSE	GETRIEBEKRANZ Z-17 SV	CORONA CAMBIO Z-17 SV
33	F01020408	VITE M6X1X30 U5739 8.8 ZN	BOLT M6X1X30	VIS M 6X1X30	SCHRAUBE M 6X1X30	TORNILLO M 6X1X30
34	F01200244	DADO M 8X1,25 U5588 6.8 ZN	NUT M8 X1,25 U5588 6.8 ZN	ECROU M8 X1,25 U5588 6.8 ZN	MUTTER M8 X1,25 U5588 6.8 ZN	TUERCA M8 X1,25 U5588 6.8 ZN
35	G22250048	CORONA CAMBIO Z-21 SV	GEARBOX RING GEAR Z-21 SV	COURONNE BOITE DE VITESSE	GETRIEBEKRANZ Z-21 SV	CORONA CAMBIO Z-21 SV
36	G222500050	CORONA CAMBIO Z-15 SV	GEARBOX RING GEAR Z-15 SV	COURONNE BOITE DE VITESSE	GETRIEBEKRANZ Z-15 SV	CORONA CAMBIO Z-15 SV
37	F01020432	VITE M 8X1,25X16 U5739 8.8 ZN	SCREW M8X 1.25X16 U5739 8.8 ZN	VIS M 8X16	SCHRAUBE M 8X16	TORNILLO M 8X16
38	F01020526	VITE M12X1,75X100 5739 8.8 ZN	SCREW M12X1,75X100 5739 8.8 ZN	VIS 12X100 5739 8.8 G ZN	SCHRAUBE 12X100 5739 8.8 G ZN	TORNILLO 12X100 5739 8.8 G ZN
39	G15220120	VITE REGOLAZIONE ZN	REGULATION BOLT	VIS RÉGLAGE ZN	STELLSCHRAUBE ZN	TORNILLO REGULACIÓN ZN
40	G13825210	MONT.MOLLA PRESS.USA >				
41	G15830440	BOCCOLA MOLLA TRAZIONE ZN.	GALVANIZED BUSH EXTENSION SPR	DOUILLE RESSORT TRACTION ZN	ZUGFEDERBÜCHSE	MANGUITO MUELLE DE TRACCIÓN GA
42	F01020403	VITE M6X1X16 U5739 8.8 ZN	SCREW M6X1X16 U5739 8.8 ZN	VIS M6X1X16 U5739 8.8 ZN	SCHRAUBE M6X1X16 U5739 8.8 ZN	TORNILLO M6X1X16 U5739 8.8 ZN
43	G15830141	PARAFANGO	MUDGARD/FENDER	PARE-BOUE	KOTFL_GEL	GUARDABARRO
44	F06120113	RUOTA COMPL.5.00-15 6PR DX	COMPL. WHEEL 5.00-15 6PR RH.	ROUE COMPL. 5.00-15 6PR DRT.	RAD KÖMPL.5.00-15 6PR RE	RUEDA COMPL.5.00-15 6PR DER.
45	G15835111	ASS.BRACCI RUOTA TRASMISSIONE	TRANSMISSION WHEEL ARMS ASSEMB	GR. BRAS ROUE ENTRAÎNEMENT	ANTRIEBSRADARME	RUEDA DE TRANSMISIN R
46	G22250028	PIGNONE Z-15 SV	Z-15 PINION SV	PIGNON Z-15 SV	RITZEL Z-15 SV	PIÑÓN Z-15 SV
47	G22250006	INGR.CON MOZZO 1/2 Z-10 SV	GEARS- W/ HUB 1/2 Z-10 SV	ENGRENAGE AVEC MOYEU 1/2 Z-10	ZAHNRAD MIT NABE 1/2 Z-10 SV	ENGRAN.CON PERNO 1/2 Z-10 SV
48	F02200452	SPINA SCATTO D.4,4 B/80 ZN	SNAP PIN D4,4 B/80 ZN	FICHE A DETENTE D4,4 B/80 ZN	EINRASTSTIFT D4,4 B/80 ZN	CLAVIJA DE MUELLE D4,4 B/80 ZN
49	F01020229	VITE M14X2X180 U5737 8.8 BR	SCREW 14X180 5737 8.8 G	VIS 14X180 5737 8.8 G	SCHRAUBE 14X180 5737 8.8 G	TORNILLO 14X180 5737 8.8 G
50	G15835241	CARTER RUOTA TRASMISSIONE R				
51	G19708000	DECAL.CAMBIO R.5,00-15 R INCH				
52	G65337035	MOLLA TENDICATENA RUOTA DP				
53	F01030084	VITE M10X1,5X25 U5933 10.9 ZD	BOLT 10 X25 5933 10.9 GALVANIZ	VIS 10 X25 5933 10.9 ZN	SCHRAUBE 10 X25 5933 10.9 ZN	RESORTE TENSION CADENA DE RUED
54	F01220033	DADO M10X 1,5 D980 8 ZN	NUT M10X 1,5 D980 8 ZN	ECROU M10X 1,5 D980 8 ZN	MUTTER M10X 1,5 D980 8 ZN	TORNILLO 10 X25 5933 10.9 ZN TUERCA M10X 1,5 D980 8 ZN

TAV. 081



5 - Metrical (cm)  
51 - Imperial (inch)

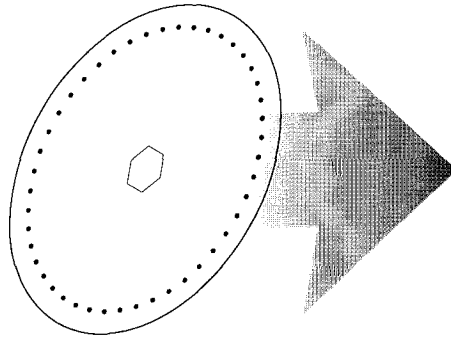
- 16x16x 85 - 68
- 16x16x150 - 69
- 16x16x200 - 70
- 16x16x220 - 71
- 16x16x248 - 72
- 16x16x275 - 73
- 16x16x320 - 74



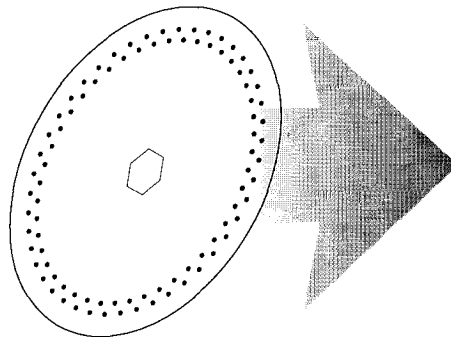
# RUOTA DI TRASMISSIONE

TAV. 081

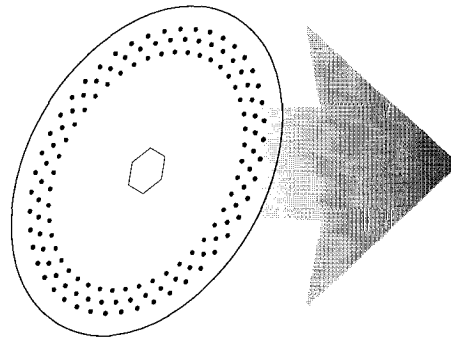
Pos.	Cod.	Descrizione	Description	Description	Benennung	Descrpcion
55	F01410064	ROS.M10 10,5X 20X 2 U6592 ZN	WASHER M10 10,5X20X2 U6592 ZN	RONDELL.M10 10,5X20X2 U6592 ZN	SCHEIBE M10 10,5X20X2 U6592 ZN	ARAND. M10 10,5X20X2 U6592 ZN
56	F01030060	VITE M 8X1,25X35 U5933 10.9 ZD	SCREW M8X1,25X35 U5933 8.8 ZD	VIS 8X35 5933 8.8 ZN	SCHRAUBE 8X35 5933 8.8 ZN	TORNILLO 8X35 5933 8.8 ZN
57	G15830460	TENDICATENA SEM. R	SEEDER CHAIN TIGHTENER R	TENDEUR DE CHAINE SEMEUR R	KETTENSPELLNER SZELEMENT R	SENSOR DE CADENA SEMBRADOR R
58	G19005110	RULLO TENDICATENA				RODILLO TENSIONA CADENA
59	G18801450	BOCCOLA 8,25 X18 X17	BUSHING 8,25 X 18 X 17	BOITE 8,25 X18 X17	BsCHSE 8,25 X18 X17	CASQUILLO 8,25 X18 X17
60	F01420048	ROS.M8 8,4X 24X 2 U6593 ZN	WASHER M8 8,4X 24X 2 U6593 ZN	RONDELLE M8 8,4X 24X2 U6593 ZN	SCHEIBE M8 8,4X 24X 2 U6593 ZN	ARANDELA M8 8,4X 24X2 U6593 ZN
61	F02200452	SPINA SCATTO D.4,4 B/80 ZN	SNAP PIN D4,4 B/80 ZN	FICHE A DETENTE D4,4 B/80 ZN	EINRASTSTIFT D4,4 B/80 ZN	CLAVIJA DE MUELLE D4,4 B/80 ZN
62	G20910039	INGRANAGGIO SUP.Z-20 FERRO				
63	F01020231	VITE M14X2X190 U5737 8.8 BR	SCREW M14X2 X190 5737 8.8 BR	VIS M 14 X190 5737 8.G	SCHRAUBE M 14 X190 5737 8.G	TORNILLO M 14 X190 5737 8.G
64	F06080111	CATENA 1/2 ISO 084 113 MAGLIE	CHAIN 1/2 ISO 084 113			
65	F01020445	VITE M8X1,25X30 U5739 8.8 ZN	BOLT M 8X30	VIS M 8X30	SCHRAUBE M 8X30	TORNILLO M 8X30
66	G22310011	FLANGIA CAMBIO DP	GEARBOX FLANGE DP	BRIDE BOITE DE VITESSE DP	FLANSCH GETRIEBE DP	BRIDA CAMBIO DP
67	G15110091	SCONTRO A U	STRIKER	BRIDE 150 MM	ANSCHLAG	ELEMENTO DE EMPALME
68	G10920400	ASSE TRASM.L.850	TRANSMISSION AXLE L850	AXE TRANSMISSION L.850	ANTRIEBSACHSE L.850	EJE TRANSMISIN L.850
69	G22270089	ASSE TRASM.SEMINAT.L.1500 SP	AXLE- SEEDING MACH. GEARBOX L	AXE ENTRAINEMENT SEMEUR L. 1500	ACHSE SZELEMENTANTRIEB.L.1500	EJE TRANS.SEMBR. L.1500 SP
70	G22230141	ASSE SEMINAT.6F.CM.80 L.2000	AXLE- 6-ROW SEEDER MACH. 80 CM	AXE SEMEUR 6 RANGEES CM. 80 L.	ACHSE SZALEMENT 6 R.CM.80 L.2	EJE SEMBR. 6 FILAS. CM.80 L.2000
71	G22250276	ASSE TRASM.SEMINAT.L.2200 SV	AXLE- SEEDING MACH. GEARBOX L.	AXE ENTRAINEMENT SEMEUR L. 2200	ACHSE SZELEMENT-ANTRIEB.L.2200	EJE TRANS.SEMBR. L.2200 SV
72	G22250275	ASSE TRASM.SEMINAT.L.2750 SV	AXLE- SEEDING MACH. GEARBOX L.	AXE ENTRAINEMENT SEMEUR L. 2750	ACHSE SZELEMENTANTRIEB L.2750	EJE TRANS.SEMBR. L.2750 SV
73	G22250031	ASSE TRASM.SEMINAT.L.3200 SV	AXLE- SEEDING MACH. GEARBOX L.	AXE ENTRAINEMENT SEMEUR L.3200	ACHSE SZELEMENTANTRIEB .L.3200	EJE TRANS.SEMBR. L.3200 SV
74	G13732200	ASSE TRASMISSIONE L.2485	TRANSMISSION AXLE L2485	AXE TRANSMISSION L.2485	sBERTRAGUNGSACHSE L.2485	EJE TRANSMISIN L.2485 A
75	G15835131	ASS.SCATOLA CAMBIO R.5"				
76	F02050101	ANELLO E. DE 25X 1,2 U7435 C70	SEEGER RING E. 25X1,2 7435 C70	SEEGER E. 25X 1,2 U7435 C70	SEEGERING E. 25X 1,2 U7435 C70	ANILLO E. 25X 1,2 U7435 C70
77	F04100137	SUPPORTO FY 25 TF	SUPPORT FY 25 TF			
78	G22250323	ASSE RUOTA SV	WHEEL AXLE SV	AXE ROUE SV	RADACHSE SV	EJE RUEDA SV
79	F01250040	DADO COLON. 12X1.5 ZN	COLUMN NUT M12X1.5 STUD BOLT	ECROU M12X1. 5 COLONNE	SCHRAUBBOLZENMUTTER M12X1.5	TUERCA 12X1.5 COLUMNA
80	F06120134	CAMERA 15 L 290	INNER TUBE 15 L.290	CHAMBRE 15 L 290	KAMMER 15 L 290	CAMARA 15 L 290
81	F06120170	COPERTURA 5.00-15 IM 110 6PR	TYRE 500-15 IM110 4PR	COUVERTURE 500-15 IM110 4PR	MANTEL 500-15 IM110 4PR	CUBIERTA 500-15 IM110 4PR
82	F06120206	CERCHIO 3.00 D 15 PV RAL 9001				
83	F05050025	CAPPELOTTO PROTEZ. X VALV.PVC				
84	G22505085	FERMO ASSE IN LAMIERA	PLATE AXLE STOP	ARRET AXE EN TOLE	FESTSTELLVORRICHTUNG BLECHACHS	BLOQUEO EJE DE CHAPA
85	G66248218	RONDELLA DISTAN.SPAND.	MAN. SPR. SPACER WASHER	RONDELLE ENTRETOISE EP. ENGRAI	ABSTANDSCHEIBE DsNGERSTREUER	ARANDELA DISTAN.ABONAD.



Fila singola - Single row - Einreihig - Un seul rang - Hilera sencilla										
Fori - Holes - Troux Löcher - Agujeros	Nr.	Fori - Holes - Troux - Löcher - Agujeros Ø								
		0,5	0,6	0,8	1	1,2	1,5	2	2,2	2,5
24	G15823880	G15823890	G15823900	G15823910	G15823920	G15823930	G15823940	G15823950	G15823960	G15823970
45	G15824200	G15824210	G15824220	G15824230	G15824240	G15824250	G15824260	G15824270	G15824280	G15824290
75	G15824300	G15824310	G15824320	G15824330	G15824340	G15824350	G15824360	G15824370	G15824380	G15824390
90	G15824400	G15824410	G15824420	G15824430	G15824440	G15824450	G15824460	G15824470	G15824480	G15824490
120	G15824600	G15824610	G15824620	G15824630	G15824640	G15824650	G15824660	G15824670	G15824680	G15824690



DR Fila doppia - Double row - Doppelreihe - Double rang - Hilera doble						
Fori - Holes - Troux Löcher - Agujeros	Nr.	Fori - Holes - Troux - Löcher - Agujeros Ø				
		0,5	0,6	0,8	1	1,2
24	G15880010	G15880020	G15880030	G15880040	G15880050	G15880060
45	G15880110	G15880120	G15880130	G15880140	G15880150	G15880160
75	G15880210	G15880220	G15880230	G15880240	G15880250	G15880260
90	G15880310	G15880320	G15880330	G15880340	G15880350	G15880360
120	G15880410	G15880420	G15880430	G15880440	G15880450	G15880460



TR Fila Tripla - Triple row - Dreiergruppereihe - Triple rang - Hilera Triple		
Fori - Holes - Troux Löcher - Agujeros	Nr.	Fori - Holes - Troux - Löcher - Agujeros Ø
		0,6                      0,8                      1
45	-	G15880810                      G15880820
75	-	G15880860                      G15880870
90	G15882500	G15880910                      G15880920
120	-	G15880960                      G15880970

