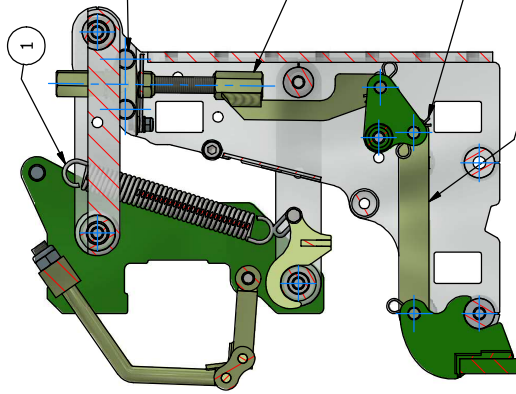
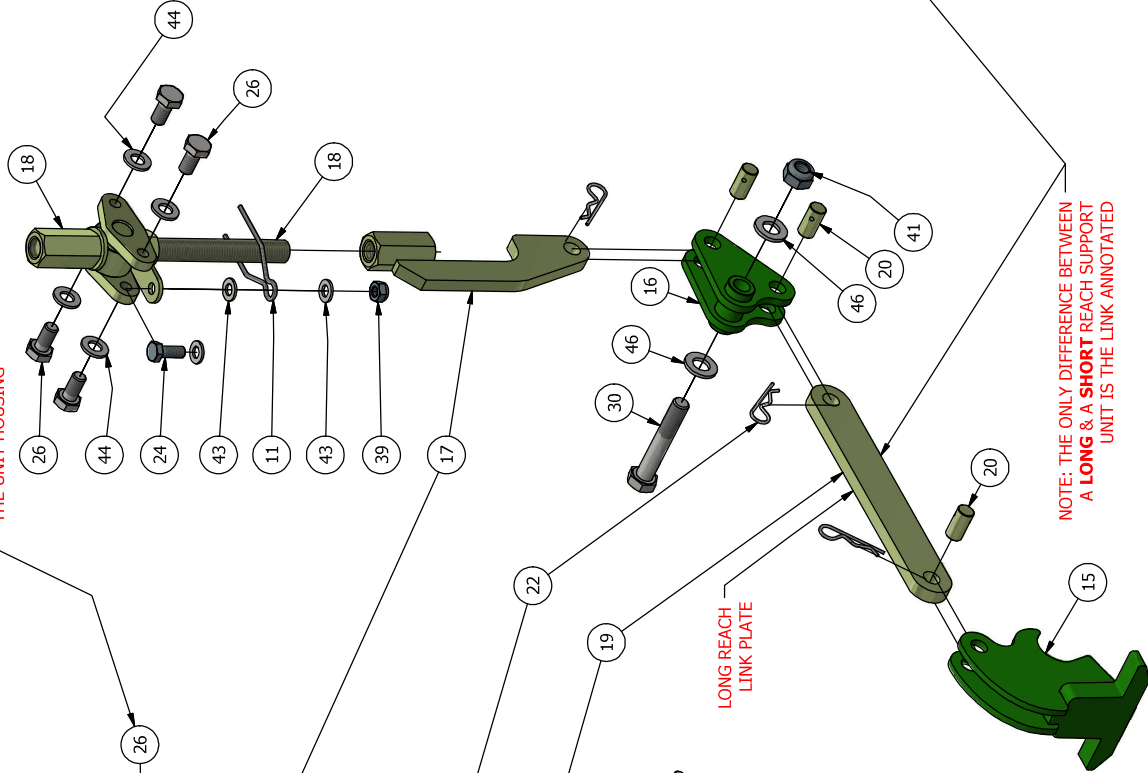


IN ROW SUPPORT WHEEL ASSEMBLY

SECTION THRU VIEW OF THE LONG REACH SUPPORT WHEEL ASSEMBLY, SHOWING THE UNIT INTERNAL ASSEMBLY



NOTE: BOLT IS FASTENED ONTO THE UNIT HOUSING

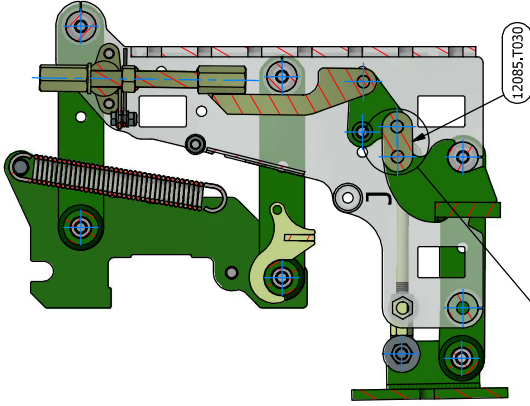


NOTE: THE ONLY DIFFERENCE BETWEEN A LONG & A SHORT REACH SUPPORT UNIT IS THE LINK ANNOTATED

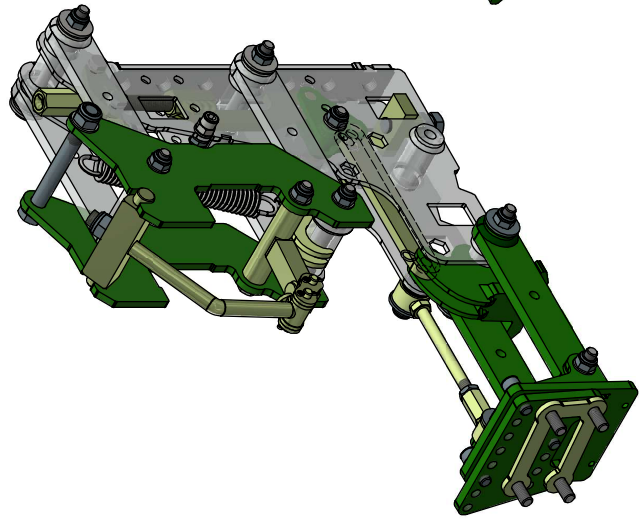
PLEASE SEE THE NEXT PAGE FOR MORE DETAILS

THE SHORT REACH SUPPORT WHEEL ASSEMBLY

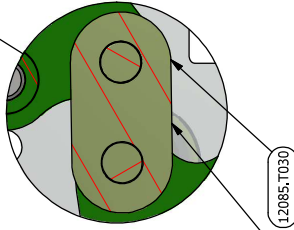
SECTION THRU VIEW OF THE SHORT REACH SUPPORT WHEEL



PICTORIAL VIEW LONG REACH SUPPORT WHEEL



ENLARGED AT 'J' SHOWING SHORT REACH LINK PLATE



PICTORIAL VIEW LONG REACH SUPPORT WHEEL

