






-  Tillage
  -  Haulage
  -  Landscaping
  -  Seeding & Plantation
  -  Crop Protection
  -  Harvest
  -  Post Harvest
- Solutions...*



## BERI UDYOG PVT LTD

Corporate Office:

Plot No. 235 to 240, Sec-3, HSIIDC, Karnal- 132001 (Haryana), India

+91 184 2221571/ 72/ 73    info@fieldking.com, www.fieldking.com



## Sub Soiler



➤ Operator Manual    ➤ Service Manual    ➤ Part Catalogue

# CONGRATULATIONS!

You have invested in one of the best implements of its type in the market today.

The care you give your "FIELDKING" implement will greatly determine your satisfaction with its performance and its service life. A careful study of this manual will give you a thorough understanding of your new implement before operating.

If your manual is lost or destroyed, "FIELDKING" will be glad to provide you a new copy. Visit to nearest dealership & get a copy. Most of our manuals can also be downloaded from our website at [www.fieldking.com](http://www.fieldking.com).

As an authorized "FIELDKING" dealer, we stock genuine "FIELDKING" parts which are manufactured with the same precision and skill as our original equipment. Our trained service persons are well informed on methods required to service "FIELDKING" equipments and are ready to help you.

Should you require additional information or assistance, please contact us.

YOUR AUTHORIZED

FIELDKING DEALER

BECAUSE "FIELDKING" MAINTAINS AN ONGOING PROGRAMME OF PRODUCT IMPROVEMENT, WE RESERVE THE RIGHT TO MAKE IMPROVEMENTS IN DESIGN OR CHANGES IN SPECIFICATION WITHOUT INCURRING ANY OBLIGATION TO INSTALL THEM ON UNITS PREVIOUSLY SOLD. BECAUSE OF THE POSSIBILITY THAT SOME PHOTOGRAPHS IN THIS MANUAL WERE TAKEN OF PROTOTYPE MODELS, PRODUCTION MODELS MAY VARY IN SOME DETAIL. IN ADDITION, SOME PHOTOGRAPHS MAY SHOW SHIELDS REMOVED FOR THE PURPOSE OF CLARITY. NEVER OPERATE THIS IMPLEMENT WITHOUT ALL SHIELDS IN PLACE.

## TO THE PURCHASER

This manual contains valuable information about your new "FIELDKING" sub soiler. It has been carefully prepared to give you helpful suggestions for operating, adjusting, servicing and ordering spare parts.

Keep this manual in a convenient place for quick and easy reference. Study it carefully. You have purchased a dependable and sturdy sub soiler but only by proper care and operation you can expect to receive the service and long life designed and built into it.

Sometime in the future your sub soiler may need new parts to replace which are worn out or broken. If so, go to your dealer and provide him equipment's detail like model and part number.

## CUSTOMER INFORMATION

Name \_\_\_\_\_

Purchased From \_\_\_\_\_

Date of Purchase \_\_\_\_\_

Model No. \_\_\_\_\_

Serial No. \_\_\_\_\_

## PURCHASER / OPERATOR'S RESPONSIBILITY

1. Read and understand the information contained in this manual.
2. Operate, lubricate, assemble and maintain the equipment in accordance with all instructions and safety procedures in this manual.
3. Inspect the equipment and replace or repair any parts that are damaged or worn out which under continued operation would cause damage, wear to other parts, or cause a safety hazard.
4. Return the equipment or parts to the authorized "FIELDKING" dealer, from where it was purchased, for service or replacement of defective parts that are covered by warranty. (The "FIELDKING" Factory may inspect equipment or parts before warranty claims are honored.)
5. All costs incurred by the dealer for traveling to or transporting the equipment for warranty inspection and claims will be borne by the customer.

# INDEX

- 1. INTRODUCTION**
- 2. TECHNICAL INFORMATION**
  - 2.1 General description
  - 2.2 Warranty
  - 2.3 Warranty become void
- 3. USAGE INSTRUCTIONS**
  - 3.1 Overall check -up
  - 3.2 Attaching sub-soiler to the tractor
  - 3.3 Safety Instruction
- 4. TRACTOR PREPARATION AND WORKING**
  - 4.1 Instructions for tractor preparation
  - 4.2 Width of cut adjustment
  - 4.3 Leveling the sub-soiler
  - 4.4 Adjustments for deeper penetration
  - 4.5 Warning for driver
  - 4.6 Trouble shooting
- 5. MAINTENANCE**
  - 5.1 Maintenance Instructions
  - 5.2 Storage of Machine after work
- 6. PICTURES AND PART CODE NO. FOR TRACTOR OPERATOR/DRIVER**

## 1.1 INTRODUCTION

This manual contains the use and maintenance instructions with a list of the spare parts of the "FIELDKING" Sub-Soiler.

Fieldking sub-soiler is used to break-up compacted soil layers and open the ground up, so that roots and moisture can penetrate more deeply into the soil. Yields suffer when compaction keeps roots from growing freely throughout the soil in search of moisture and nutrients. Sub-soiler usage lets plants to stretch their roots by opening passageways through the hardpan. It can be used as a primary tillage tool i.e. one used for the first pass over a field but not normally a part of usual tillage operation.

This implement is useful when a plow pan or hard pan (compacted layer) has developed because of regular plowing and disking or heavy animal and equipment traffic. When operated properly in dry soil this implement fractures and shatters the hard soil.

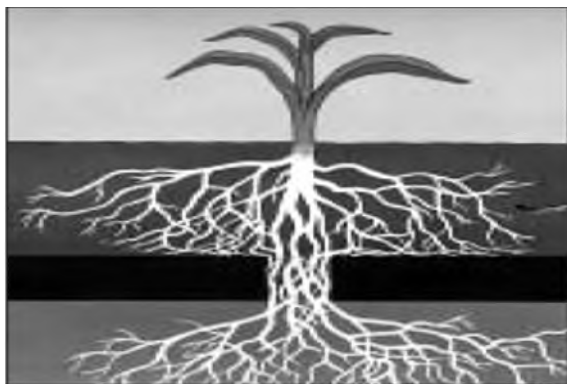


Fig-1 root growth after use of Sub-Soiler

## 2. TECHNICAL INFORMATION

### 2.1 GENERAL DESCRIPTION

#### BENEFITS

1. The sub-soilers are deep tillage implements specially designed for breaking up hard pan layers and loosening the subsoil allowing better drainage, root growth and mineral osmosis.
2. The heavy duty chisel pointed share shatters the soil well below the surface, thus increasing the water holding capacity.

3. It preserves moisture during high rainfall which is very important for the crop to withstand low rainfall or drought periods.
4. It is an inexpensive implement & it provides a simple and economical way to obtain boosting crop yields and profits.

### FEATURES

1. It can go up to 55 cm deep.
2. It fights drought by increasing the ground storage capacity.
3. It increases soil turnover by reaching deeper organic matter layers.

### 2.2 Warranty

When the machine is delivered, check that it has not been subjected to damage during transport and that the accessories are in a perfect condition and complete.

Any claims following the receipt of damaged goods shall be presented in writing within 8 days from the receipt of the goods.

The purchaser may only make the claims under guarantee when he has complied with the warranty conditions in the supply contract.

### 2.3 WHEN THE WARRANTY BECOMES VOID

Besides the cases specified in the supply agreement, the guarantee shall in any case become void:

1. When the implement has been used beyond the specified power limit like (Tractor Horse Power)
2. When repairs made by the customer without authorization from the manufacturer or owing to installation of spurious spare parts, the machine is subjected to variations and the damage can be ascribed to these variations.
3. When the user has failed to comply with the instructions in this handbook.

## 3. USAGE INSTRUCTIONS

### 3.1. OVERALL CHECK-UP

Before mounting of Sub-Soiler to tractor make sure that all nuts and bolts are properly secured.

### 3.2. ATTACHING THE SUB-SOILER TO THE TRACTOR

1. Place the sub-soiler duly levelled on the flat piece of land.
2. Reverse the tractor to the sub-soiler ( Do not drag the sub-soiler)
3. Attach the left arm of the tractor to the sub-soiler first.
4. Attach the lower right arm, turn the screw until the mounting pin is at the same level as the hole on the tractor arm. If the gap between hole and mounting pin is too close or too distant, turn the control arm in or pull it away to an appropriate distance. You may have to adjust both height and distance at the same time. When the hole at tractor arm and mounting pin are even, insert the pin in the hole and lock it with the lynch pin.
5. Attach the central arm to the sub-soiler. To attach, turn the screws on both sides to an equal length. If the arm is too short or too long, turn the screw to adjust both at the same time until aligned with the hole on the central arm.
6. After attaching the sub-soiler lift it and adjust the control arm parallel to the ground. When you look from both rear or sideways, the shanks should all be touching the ground uniformly.

### 3.3 SAFETY

#### DANGER

Understanding the Machine Safety Labels



Safety-Alert Symbol

The machine safety labels shown in this section are placed in important areas on your machine to draw attention to potential safety hazards

On your machine the words DANGER, WARNING, and CAUTION are used with this safety-alert symbol. DANGER identifies the most serious hazards.

The operator's manual also explains any potential safety hazards whenever necessary.



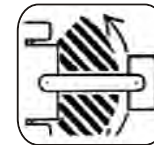
In order to protect yourself always wear adequate clothes and shoes during the operations.



Never allow riders on the tractor or implement unless an additional seat is available.



Be careful when moving around steep gradient to avoid sharp turn.



Never transport the implement on rough roads during the night. When operating, avoid sharp turns that may cause tractor colliding with the implement.

## 4. TRACTOR PREPARATION AND WORKING

### 4.1 INSTRUCTION FOR TRACTOR PREPARATION

The following are typical instructions for preparing a tractor for operation:

1. The horsepower of tractor selected should match the implement.
2. All sub-soiler adjustment should be carried out.
3. Select draft and position control setting according to tractor operators manual.

### 4.2 Width/Depth adjustment

The width adjustment is available in three arms sub-soiler. Width of shanks could be adjusted easily with the flexibility provided in the frame. The depth adjustment can be done by changing the hole position in the shank for both two and three arm sub-soiler. The single arm sub-soiler has no adjustment.



### 4.3 Leveling the sub-soiler

The level of the sub-soiler is controlled by the tractor top link. Lateral levelling is controlled by adjusting the length of the tractor right lower link. These adjustments must be made with the sub-soiler prior to operation.

### 4.4 Adjustment for deeper penetration

The depth of the penetration can be obtained by the position and draft control levers of the tractor hydraulic system. Higher the tractor power more is the depth of operation. However more depth can be obtained by lowering the shanks.



Fig 2- Soil fracturing pattern

### 4.5 Warning for driver

1. Operate the tractor in low first gear.
2. Lift the sub-soiler completely on every turn.
3. Never reverse the tractor when the sub-soiler is engaged in the soil.
4. Properly mount the three point linkage as mentioned above & lock with lynch pin.
5. If sub-soiler stuck with tree roots and stones, stop tractor and lift the subsoiler.
6. Keep proper distance from sub-soiler when it is in working.
7. Lift the sub-soiler completely during transport.

### 4.6 TROUBLING SHOOTING

The "FIELDKING" Sub-Soiler Uses a vertical Shank to break- up Hardpan, trench or aerate the soil. it is a simple and reliable system that requires minimal maintenance.

in the following section, we have listed many of the problems, causes & solutions to the problems that you may encounter.

if you encounter a problem that is difficult to solve, even after having read through this trouble shooting section, Please call your local "FIELDKING" Dealer. Before you call, please have this operator's manual & the serial number from your Sub-Soiler ready.

PROBLEM	CAUSE	SOLVE
Blade won't penetrate soil	Hard ground condition	1. Replace blade if badly worn. 2. Be sure 3 point hitch is set in "float" or "draft" Mode. 3. Set Shank angle 4. Add weight to frame
High power required.	1. Wrong Shank Angle 2. Blade worn	1. Reset Shank Angle. 2. Replace blade.

## 5. MAINTENANCE

### 5.1 MAINTENANCE INSTRUCTIONS

If sub-soiler is working on stony land then maintenance goes up. Please follow these rules to get the best results:

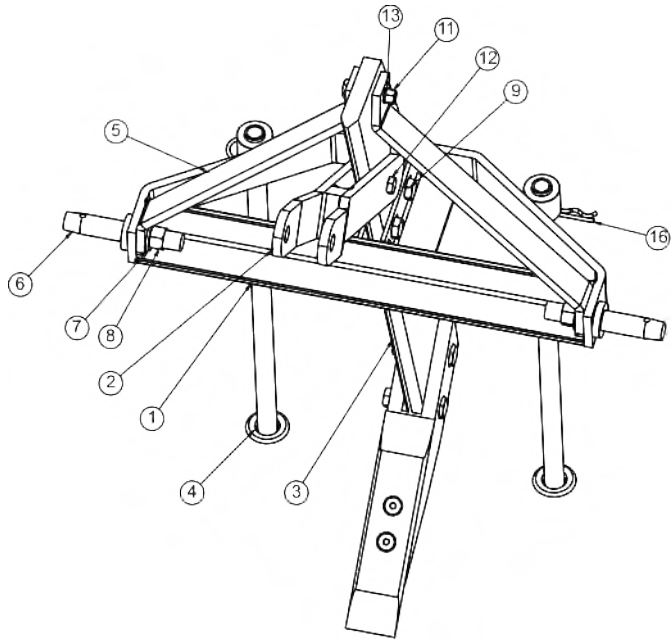
1. If sub-soiler is new then tightened all nuts and bolts after few trials runs.
2. Constantly check for tightness of nuts and bolts.
3. When the length of the points is reduced by 1 inch, reverse it and use the other side of the points, when both side of the strip are worn out replace it with the new one.

### 5.2 STORAGE OF MACHINE AFTER WORK

1. Wash the sub-soiler completely after work.
2. Replace the worn out nuts and bolts.
3. If sub-soiler has to remain unused for long time then clean it & apply a layer of un-used oil/grease for rust prevention.

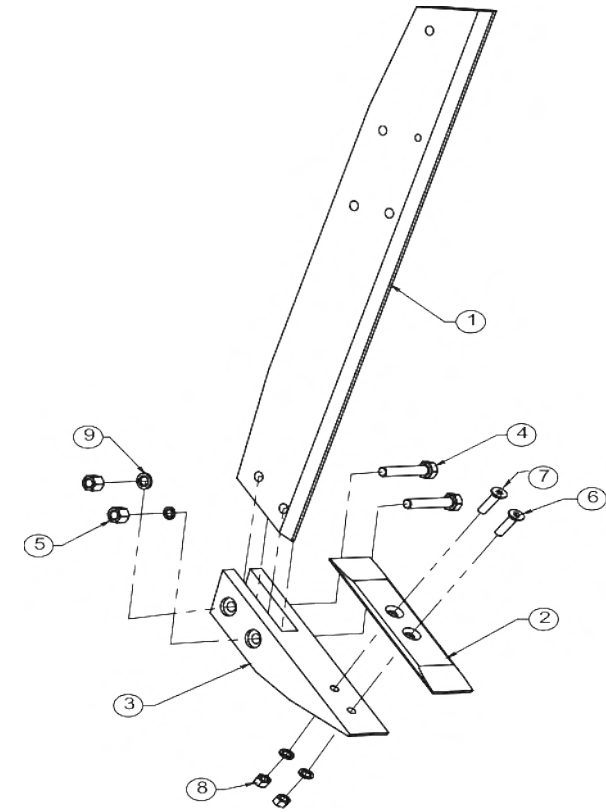
These steps will enhance the life of your sub-soiler

## 6. PART CATALOGUE OF 1, 2 & 3 ARM SUB-SOILER



SR. NO.	PART NO.	PART NAME	QTY.
1	FKSS-501	FRAME ASSEMBLY	1
2	FKSS-502	LINKAGE	1
3	FKSS-503	TYNE ASSEMBLY	1
4	FKSS-504	STANP PIPE ASSEMBLY	2
5	FKSS-005	SIDE LINK SUPPORT	2
6	10020013	HITCH PIN 20MM	2
7	10270007	SPRING WASHER 25MM	4
8	10280041	PLAIN NUT M25	2
9	10260080	HEX HEAD BOLT M16x80x2P	2
10	10280005	NYLOCK NUT M16x2P	3
11	10280025	NYLOCK NUT M12x1.75P	2
12	10260102	HEX. HEAD BOLT M12x65x1.75P	2
13	10270003	SPRING WASHER 12MM	2
14	10260052	HEX HEAD BOLT M12x40x1.75P	1
15	10270005	SPRING WASHER 16MM	2
16	10020096	R-PIN 6x106MM	2

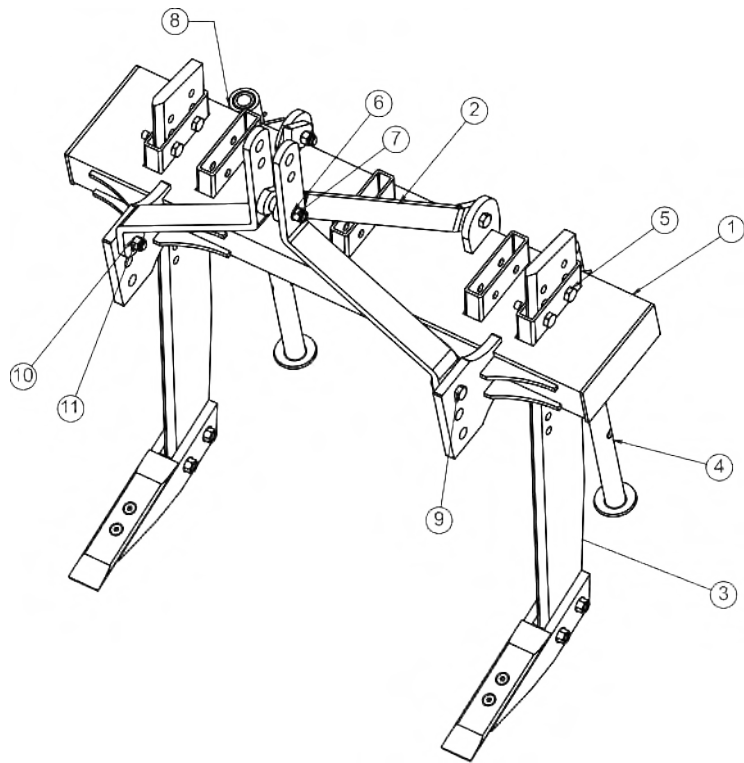
SUB-SOILER (1-RAM)



SR.NO.	PART NO.	PART NAME	QTY.
1	FKSS-008	SUB SOILER TYNE	1
2	FKSS-009	SUB SOILER SHOWEL	1
3	FKSS-010	SUB SOILER SHOE	1
4	10260080	HEX. HEAD BOLT M16x80x2P	2
5	10280005	NYLOCK NUT M16x2P	2
6	10260052	CSK BOLT M12x40x1.75P	1
7	10260050	CSK BOLT M12x50x1.75P	1
8	10280025	NYLOCK NUT M12x1.75P	2
9	10270005	SPRING WASHER 16MM	2
10	10270003	SPRING WASHER 12MM	2

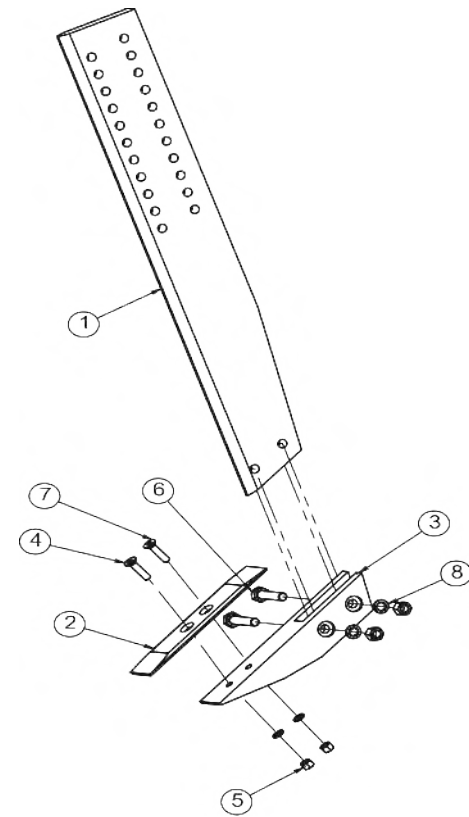
TYNE ASEMBLY SUB-SOILER (1-ARM)





SR.NO.	PART NO.	PART NAME	QTY.
1	FKSS-505	FRAME ASSEMBLY	1
2	FKSS-506	3 PT LINKAGE ASSEMBLY	1
3	FKSS-507	TYNE ASSEMBLY	2
4	FKSS-508	STAND ASSEMBLY	1
5	10260080	HEX. HEAD BOLT (M16x80x2P)	7
6	10270005	SPRING WASHER (16MM)	7
7	10280005	NYLOCK NUT (M16x2P)	7
8	10020098	R PIN (6x106MM)	1
9	10260082	HEX. HEAD BOLT (M18x60x1.5P)	2
10	10270006	SPRING WASHER (18MM)	2
11	10280006	NYLOCK NUT (M18x1.5P)	2

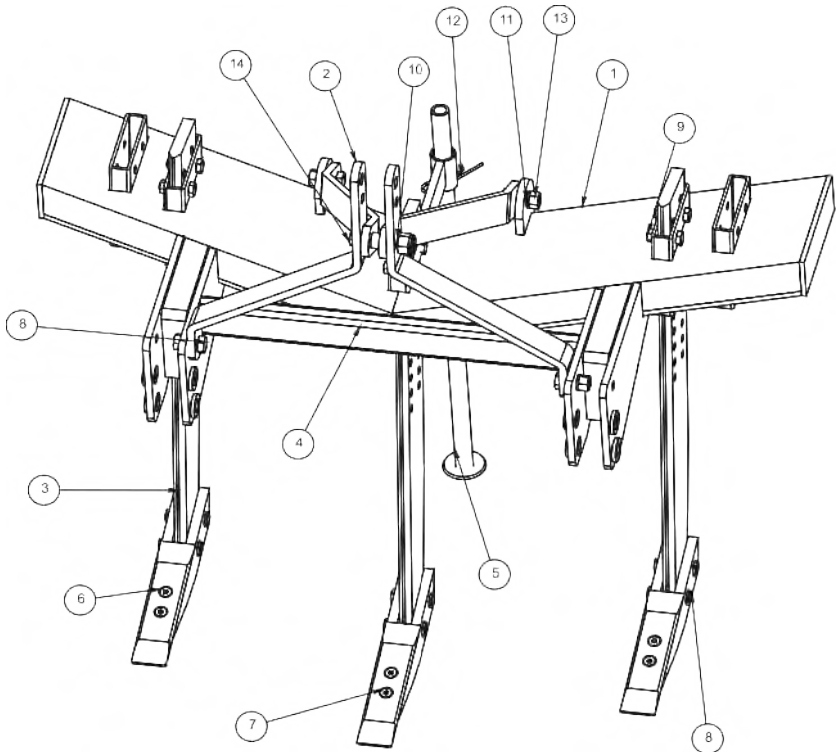
**SUB-SOILER (2-ARM)**



SR.NO.	PART NO.	PART NAME	QTY.
1	FKSS-020	SUB SOILER TYNE	1
2	FKSS-009	SUB SOILER SHOWEL	1
3	FKSS-010	SUB SOILER SHOE	1
4	10260049	CSK BOLT (M12x40x1.75P)	2
5	10280025	NYLOCK NUT (M12x1.75P)	4
6	10260080	HEX. HEAD BOLT (M16x80x2P)	2
7	10260050	CSK BOLT (M12x50x1.75P)	2
8	10270003	SPRING WASHER (12MM)	4

**SUB-SOILER TYNE ASSEMBLY (2 & 3 ARM)**

# DELIVERY CHECKLIST



SR.NO.	PART NO.	PART NAME	QTY.
1	FKSS-509	FRAME ASSEMBLY	1
2	FKSS-510	3 PT. LINKAGE	1
3	FKSS-507	TYNE ASSEMBLY	3
4	FKSS-029	FRONT SUPPORT PIPE	1
5	FKSS-508	STAND PIPE ASSEMBLY	1
6	10260050	CSK BOLT (M12X50X1.75P)	3
7	10260049	CSK BOLT (M12X40X1.75P)	3
8	10260017	HEX HEAD BOLT (M16X60X2P)	6
9	10260080	HEX HEAD BOLT (M16X80X2P)	6
10	10260082	HEXHEAD BOLT (M18X60X1.5P)	4
11	10270005	SPRING WASHER (16MM)	12
12	10270006	SPRING WASHER (18MM)	4
13	10020096	R PIN (6X106MM)	1
14	10280006	NYLOCK NUT (M18X1.5P)	4
15	10260135	HEX HEAD BOLT (M16X110X2P)	1

**SUB-SOILER (3-ARM)**

**Dealer Pre-Delivery (Please Tick)**

**1. Dealer Pre-Delivery Checklist**

1. The customer or person responsible has been given the operator's manual.
2. The customer undertakes to read the complete operator's manual and understands all aspects of the manual before operation of the machine.
3. All safety, operational and maintenance information have been explained and demonstrated.
4. All greasing and oil points, stickers, guarding and ID plate have been identified and physically pointed out.
5. The customer agrees that it is his responsibility to read and carry out the safety, maintenance and operation as per this operator's manual.

**Customer Delivery (Please Tick)**

**2. Customer Delivery Checklist**

1. The customer or person responsible has been given the operator's manual.
2. The customer undertakes to read the complete operator's manual and understands all aspects of the manual before operation of the machine.
3. All safety, operational and maintenance information have been explained and demonstrated.
4. All greasing and oil points, stickers, guarding and ID plate have been identified and physically pointed out.
5. The customer agrees that it is his responsibility to read and carry out the safety, maintenance and operation as per this operator's manual.

**Please Complete all Dealer information Below**

**Dealer Information**

Dealer's Name.....

Address.....

State..... Postcode.....

Phone..... Fax.....

Email.....

Service Person.....

I confirm that the pre-delivery service was performed on this machine.

Signature.....

Date.....

Comments.....

**Please Complete all Customer Information Below**

**Customer Information**

Customer's Name.....

Address.....

State..... Postcode.....

Phone..... Fax.....

Email.....

Delivery Person.....

I confirm that all of the delivery checks were explained and performed.

Signature.....

Delivery Date.....

Comments.....



## WARRANTY CARD Customer Copy

CUSTOMER NAME Mr./ Mrs :

ADDRESS :

MOBILE NO. :

Email :

NAME OF IMPLEMENT :

MODEL NO. :

YEAR OF Mfg. :

SERIAL NO. :

REGISTRATION NO. :

DATE OF PURCHASING :

NAME OF DEALER :

Customer's Signature

Dealer's Signature



### BERI UDYOG PVT LTD

Corporate Office:

Plot No. 235 to 240, Sec-3, HSII DC, Karnal- 132001 (Haryana), India

+91 184 2221571/ 72/ 73

✉ info@fieldking.com, www.fieldking.com



**WARRANTY CARD**  
Company Copy

CUSTOMER NAME Mr./ Mrs :

ADDRESS :

MOBILE NO. :

Email :

NAME OF IMPLEMENT :

MODEL NO. :

YEAR OF Mfg. :

SERIAL NO. :

REGISTRATION NO. :

DATE OF PURCHASING :

NAME OF DEALER :

Customer's Signature

Dealer's Signature



**BERI UDYOG PVT LTD**

Corporate Office:

Plot No. 235 to 240, Sec-3, HSIIIDC, Karnal- 132001 (Haryana), India

+91 184 2221571/ 72/ 73

info@fieldking.com, www.fieldking.com



**WARRANTY CARD**  
Dealer Copy

CUSTOMER NAME Mr./ Mrs :

ADDRESS :

MOBILE NO. :

Email :

NAME OF IMPLEMENT :

MODEL NO. :

YEAR OF Mfg. :

SERIAL NO. :

REGISTRATION NO. :

DATE OF PURCHASING :

NAME OF DEALER :

Customer's Signature

Dealer's Signature



**BERI UDYOG PVT LTD**

Corporate Office:

Plot No. 235 to 240, Sec-3, HSIIIDC, Karnal- 132001 (Haryana), India

+91 184 2221571/ 72/ 73

info@fieldking.com, www.fieldking.com