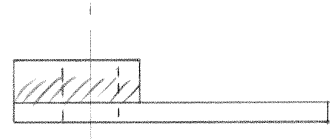
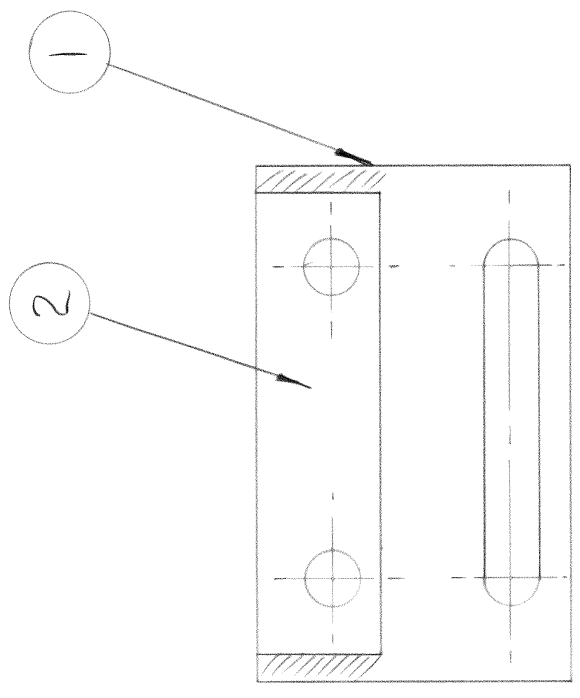


1	2	3	4	5	6	7	8
A3 PART No. 7403151	SHEET No. 1 OF 1 SHEETS	TITLE REAR WHEEL BRACKET - W/A					
DO NOT SCALE	IF IN DOUBT ASK	REMOVE ALL BURRS & SHARP EDGES					
ITEM No.	PART No.	DESCRIPTION	No. OFF				
1	7205319	RW BRACKET SIDE	1				
2	7205320	RW BRACKET SIDE	1				



ISS. DATE	MOD. No.	AMENDMENT	MATERIAL	THIRD ANGLE PROJECTION
A 2-7-92		FIRST ISSUE		
© STANHAY WEBB LIMITED OWN THE COPYRIGHT OF THIS DRAWING WHICH IS SUPPLIED ON THE EXPRESS CONDITION THAT IT IS NOT REPRODUCED NOR USED FOR ANY PURPOSE OTHER THAN THAT FOR WHICH IT IS SUPPLIED AND IS NOT COMMUNICATED TO ANY OTHER PERSON WITHOUT THE PERMISSION OF STANHAY WEBB LIMITED.		UNLESS OTHERWISE STATED GENERAL TOLERANCE $\pm 1\text{mm}$ ONE DECIMAL PLACE $\pm 0.25\text{mm}$ ANGULAR TOLERANCE $\pm 1/2^\circ$ MACHINE AT SCREW THREADS TO BE ISO METRIC COARSE. MEDIUM FIT (BS 3643)	MATERIAL PART No. SIZE FINISH	DRAWN SCALE PART No.
				DATE 29-6-92
				CHECKED
				7403151
				A3

Stanhay Webb

Swan Lane
Exning
Newmarket
Suffolk CB8 7HD

PAINT