


-  Tillage
-  Haulage
-  Landscaping
-  Seeding & Plantation
-  Crop Protection
-  Harvest
-  Post Harvest

Solutions...



BERI UDYOG PVT LTD

Corporate Office:

Plot No. 235 to 240, Sec-3, HSIIDC, Karnal- 132001 (Haryana), India

+91 184 2221571/ 72/ 73 info@fieldking.com, www.fieldking.com



DISC RIDGER LIGHT DUTY



➤ Operator Manual ➤ Service Manual ➤ Part Catalogue

CONGRATULATIONS!

You have invested in one of the best implements of its type in the market today.

The care you give your "FIELDKING" implement will greatly determine your satisfaction with its performance and its service life. A careful study of this manual will give you a thorough understanding of your new implement before operating.

If your manual is lost or destroyed, "FIELDKING" will be glad to provide you a new copy. Visit to nearest dealership & get a copy. Most of our manuals can also be downloaded from our website at www.fieldking.com.

As an authorized "FIELDKING" dealer, we stock genuine "FIELDKING" parts which are manufactured with the same precision and skill as our original equipment. Our trained service persons are well informed on methods required to service "FIELDKING" equipments and are ready to help you.

Should you require additional information or assistance, please contact us.

YOUR AUTHORIZED

FIELDKING DEALER

BECAUSE "FIELDKING" MAINTAINS AN ONGOING PROGRAMME OF PRODUCT IMPROVEMENT, WE RESERVE THE RIGHT TO MAKE IMPROVEMENTS IN DESIGN OR CHANGE IN SPECIFICATION WITHOUT INCURRING ANY OBLIGATION TO INSTALL THEM ON UNITS PREVIOUSLY SOLD. BECAUSE OF THE POSSIBILITY THAT SOME PHOTOGRAPHS IN THIS MANUAL WERE TAKEN OF PROTOTYPE MODELS, PRODUCTION MODELS MAY VARY IN SOME DETAIL. IN ADDITION, SOME PHOTOGRAPHS MAY SHOW SHIELDS REMOVED FOR THE PURPOSE OF CLARITY. NEVER OPERATE THIS IMPLEMENT WITHOUT ALL SHIELDS IN PLACE.

TO THE PURCHASER

This manual contains valuable information about your new "FIELDKING" disc ridger light duty. It has been carefully prepared to give you helpful suggestions for operating, adjusting, servicing and ordering spare parts.

Keep this manual in a convenient place for quick and easy reference. Study it carefully. You have purchased a dependable and sturdy disc ridger light duty but only by proper care and operation you can expect to receive the service and long life designed and built into it.

Sometime in the future your disc ridger light duty may need new parts to replace which are worn out or broken. If so, go to your dealer and provide him equipment's detail like model and part number.

CUSTOMER INFORMATION

Name _____

Purchased From _____

Date of Purchase _____

Model No. _____

Serial No. _____

PURCHASER AND/OR OPERATOR'S RESPONSIBILITY

1. Read and understand the information contained in this manual.
2. Operate, lubricate, assemble and maintain the equipment in accordance with all instructions and safety procedures in this manual.
3. Inspect the equipment and replace or repair any parts that are damaged or worn out which under continued operation would cause damage, wear to other parts, or cause a safety hazard.
4. Return the equipment or parts to the authorized "FIELDKING" dealer, from where it was purchased, for service or replacement of defective parts that are covered by warranty. (The "FIELDKING" Factory may inspect equipment or parts before warranty claims are honored.)
5. All costs incurred by the dealer for traveling to or transporting the equipment for warranty inspection and claims will be borne by the customer.

INDEX

1. TECHNICAL DATA

- 1.1 Introduction
- 1.2 Warranty
- 1.3 When the warranty becomes void
- 1.4 Warning Signals

2. USAGE INSTRUCTIONS

- 2.1 Before Use
- 2.2 Attaching disc ridger light duty to the tractor

3. TRACTOR PREPARATION

- 3.1 Instructions for tractor preparation
- 3.2 Adjustments
- 3.3 Warning for driver
- 3.4 Safety

4. MAINTENANCE

- 4.1 Maintenance Instructions
- 4.2 Storage of machine after work
- 4.3 Lubrication

5. INSTRUCTION FOR DRIVER

6. FIGURES AND PART NO. DETAILS

1. TECHNICAL DATA

1.1 INTRODUCTION

This handbook contains the use and maintenance instructions with a list of the spare parts of the disc ridger light duty.

This disc ridger light duty is equipped with light-duty box frame specially designed for deep ploughing / land preparation of rough soil.

Regular and satisfactory operations together with economic and long lasting use of the implement depend on the compliance with instructions given in this handbook.

Compliance with the instructions in this handbook is also important since Manufacturer declines all and every responsibility for damage to persons or property caused by negligence and failure to comply with these instructions.

1.2 WARRANTY

When the machine is delivered, check that it has not been subjected to damage during transport and that the accessories are in a perfect condition and complete.

Any claims following the receipt of damaged goods shall be presented in writing within 8 days from the receipt of the goods.

The purchaser may only make the claims under warranty when he has complied with the warranty conditions in the supply contract.

1.3 WHEN THE WARRANTY BECOMES VOID

Besides the cases specified in the supply agreement, the warranty shall in any case become void:

1. When the implement has been used beyond the specified power limit like (tractor horse power).
2. When repairs made by the customer without authorization from the manufacturer or owing to installation of spurious spare parts, the machine is subjected to variations and the damage can be ascribed to these variations.
3. When the user has failed to comply with the instructions in this handbook.
4. If the implement is used in very hard/stony soil no warranty of discs will be given.
5. If the implement is not lifted while taking a turn of the tractor. No warranty will be given if the service and greasing is not done on time.

1.4 WARNING SIGNALS

1. Thoroughly read the instruction manual before proceeding with the various operations.

2. Keep maintenance and warranty according to this handbook.

2. USAGE INSTRUCTIONS

2.1 BEFORE USE

- Before mounting of disc ridger light duty make sure that all nuts & bolts are properly secured.

2.2 ATTACHING THE RIDGER TO THE TRACTOR

1. Place the disc ridger duly leveled on the flat piece of land.
2. Reverse the tractor to the disc ridger (Do not drag the disc ridger up the tractor).
3. Attach the left arm of the tractor to the disc ridger first.
4. Attach the central arm to the disc ridger. To attach, turn the screws on both sides to an equal length. If the arm is too short or too long, turn the screw to adjust both at the same time.
5. Attach the lower right arm. If gap between the hole and mounting pin is too close or too distant, turn the control arm in or pull it away to an appropriate distance. You may have to adjust both height and distance at the same time. When the hole in tractor arm and mounting pin are even, insert the pin in the hole and lock it with the lynch pin.
6. After attaching the disc ridger, lift it and adjust the control arm parallel to the ground. When you look from both rear or sideways, the discs should all be touching the ground uniformly.

3. TRACTOR PREPARATION

3.1 INSTRUCTIONS FOR TRACTOR PREPARATION

The following are typical instructions for preparing a tractor for operation:

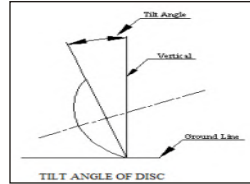
1. The horsepower of tractor selected should match the implement.
 2. Adjust the front and rear wheel track width.
 3. Provide adequate front end ballast for tractor stability.
 4. Provide proper rear furrow wheel weight.
 5. All plough adjustment should be carried out.
- Select load and depth control setting according to tractor operator's manual

3.2 ADJUSTMENT

Also determine soil and trash conditions of the field and make the preliminary adjustments. e.g.

a) **Disc leveling:** - To eliminate uneven penetration and side draft, leveling is done by means of top link.

b) Tilt Angle is the angle which the plain of the cutting edge makes with the vertical line. Its ranges lie between 150 - 250. Increasing the tilt angle improves disc penetration in heavy, sticky soils. Decreasing the tilt angle improves disc penetration in loose and brittle soils.



c) **Depth control:-**

The depth at which the implement is required to work is controlled hydraulically by raising or lowering the control lever on the tractor.

3.3 WARNING FOR THE DRIVER

1. Before you start working, Please check all nuts & bolts of the disc ridger.
2. Be vigilant about the tree roots and stones. Don't work on stony soil.
3. Tractor should be in first high or fourth low gear.
4. Don't allow anyone to come across the disc ridger.
5. Lift the disc ridger during turning.
6. Lift the disc ridger before approaching the road.

3.4 SAFETY

Understanding the Machine Safety Labels



Safety-Alert Symbol

The machine safety labels shown in this section are placed in important areas on your machine to draw attention to potential safety hazards.

On your machine the words DANGER WARNING and CAUTION are used with this safety-alert symbol. DANGER identifies the most serious hazards.

The operator's manual also explains any potential safety hazards whenever necessary.

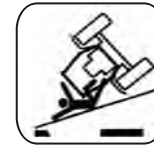
- Before ploughing with disc ridger take care that nobody stands near it.



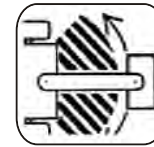
In order to protect yourself always wear adequate clothes and shoes during the operations.



Never allow riders on the tractor or implement unless an additional seat is available.



Be careful when moving around steep gradient to avoid sharp turn.



Never transport the implement on rough roads during the night. When operating, avoid sharp turns that may cause tractor colliding with the implement.

4. MAINTENANCE

4.1 MAINTENANCE INSTRUCTIONS

If you work with the disc ridger on stony land, maintenance also increases. Please follow these rules to get the best results.

1. If the soil has entered the grease nipple, then change the nipple.
2. If disc ridger is new after initial working of first two hours, tighten all nuts & bolts.
3. After every fifty hours grease all greasing points with grease gun and tighten all nuts & bolts.
4. After every fifty hours, open the bearing hub of disc ridger & cleanse with diesel oil & pump in new grease.

4.2 STORAGE OF MACHINE AFTER WORK

1. Wash the disc ridger after work.
2. Replace the worn out nuts & bolts.
3. If disc ridger has to remain unused for long time then clean it & apply a layer of used oil for rust prevention.

These steps will enhance the life of your disc ridger.

4.3 LUBRICATION

Please take care that high quality grease is used in bearing hubs.

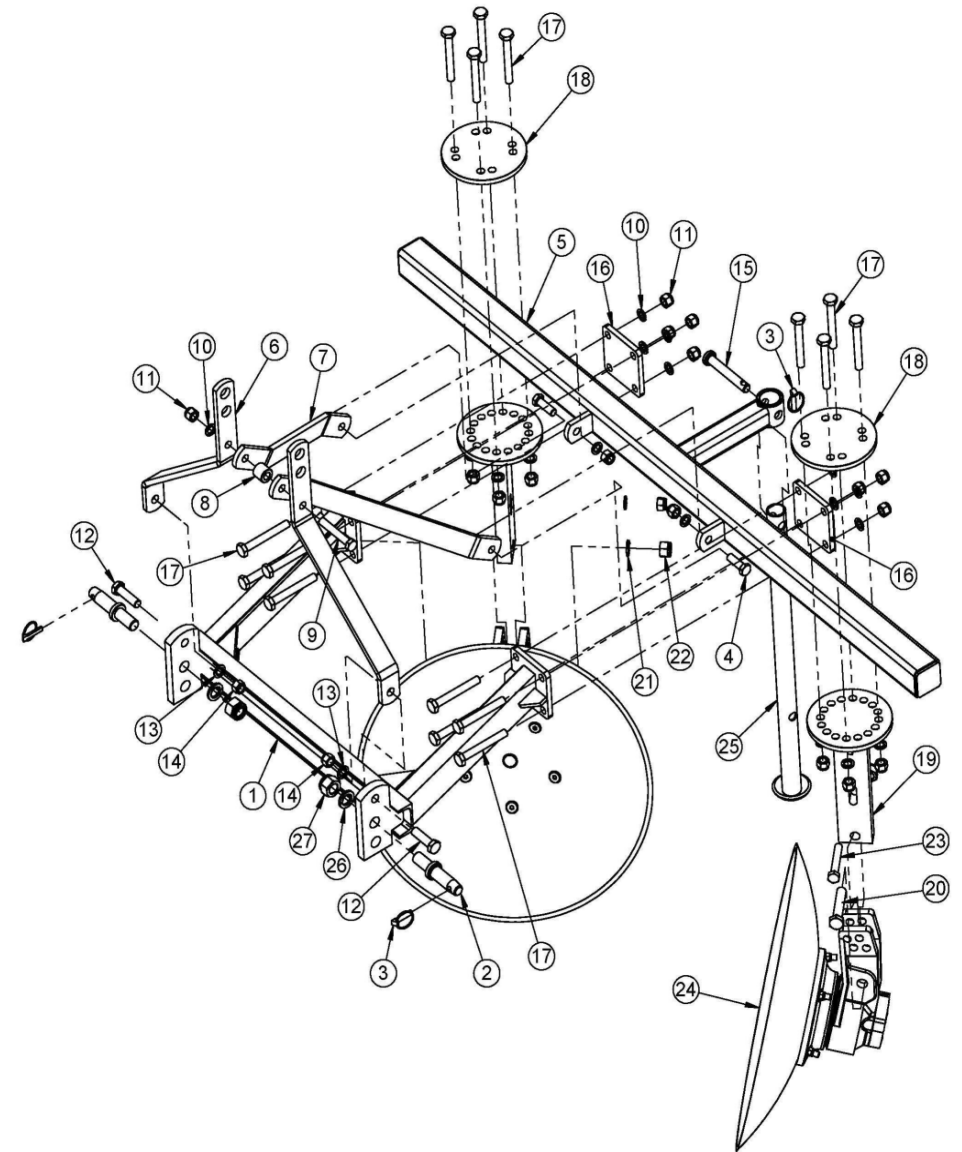
5. INSTRUCTIONS FOR DRIVER

1. When disc ridger is ready for use don't stand between disc ridger & the tractor.
2. Properly fit the three point linkage as mentioned above & lock with lynch pin.
3. Never turn the tractor to the right or left when the disc ridger is engaged in the soil.
4. Never reverse the tractor when the disc ridger is engaged in the soil.
5. To get good results from the disc ridger, disc should be replaced when its diameter is reduced by 5" from its original size.



Dear user!
Respect the Ecology.
Do not throw the trash away.
This gesture helps to protect our Environment.

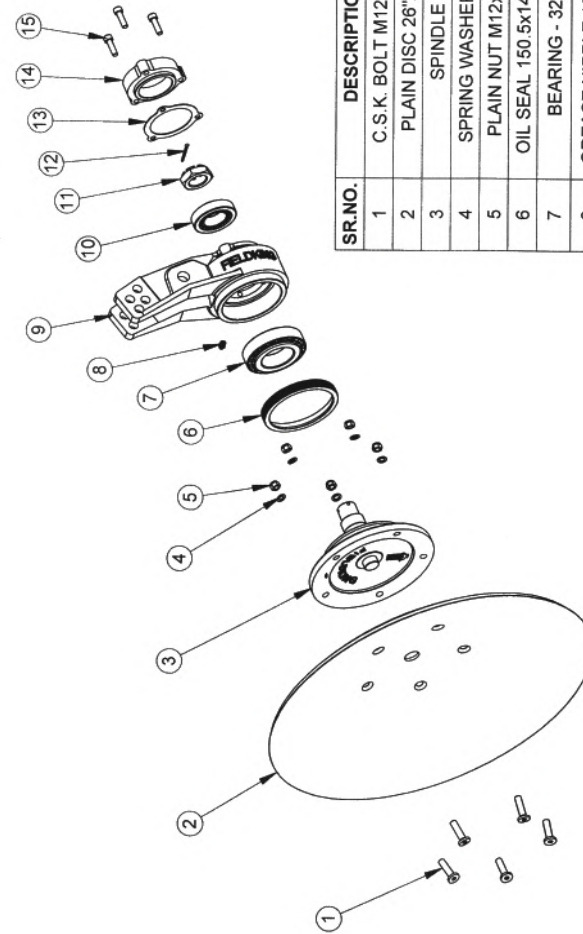
5. FIGURES AND PART NO. DETAILS



DISC RIDGER 1-ROW (LIGHT DUTY)

6. FIGURES AND PART NO. DETAILS

SR. NO.	PART NAME	PART NO.	QTY.
1	FRONT FRAME ASS. (1-ROW)	FKDRL-501	1
2	HITCH PIN 20MM (HUB LENGTH)	10020013	2
3	LINCH PIN 10X43L	10020022	3
4	HEX HEAD BOLT M16X2PX50L	10260078	2
5	REAR FRAME ASSEMBLY	FKDRL-502	1
6	FRONT LEVER FLAT	FKDRL-013	2
7	REAR LEVER FLAT	FKDRL-014	2
8	LEVER BUSH	FKDR-015	1
9	HEX HEAD BOLT M16X2PX100L	10260068	1
10	SPRING WASHER M16	10270005	21
11	NULOCK NUT M16X2P	10280005	21
12	HEX BOLT M18X2.5PX65L	10260315	2
13	SPRING WASHER 18MM	10270006	2
14	NYLOCK NUT M18X2.5P	10280020	2
15	PIN Ø19X140MM	10020120	1
16	FRAME JOINT PLATE	FKDRL-006	2
17	HEX. HEAD BOLT M16X2PX125L	10260072	16
18	UPPER FLANGE (7.5")	FKDRL-019	2
19	LEG ASS. (LIGHT DUTY)	FKDRL-504	2
20	HEX. HEAD BOLT M20X2.5PX100L	10260087	2
21	SPRING WASHER M20	10270016	2
22	NYLOCK NUT M20X2P	10280021	2
23	HEX HEAD BOLT M16X2PX95L	10260126	2
24	SPINDLE ASSEMBLY	FKDR-505	2
25	STAND PIPE ASSEMBLY	FKDR-506	1
26	SPRING WASHER 25MM	10270007	2
27	NYLOCK NUT M25.4	10280008	2



SR.NO.	DESCRIPTION	PART NO.	QTY.
1	C.S.K. BOLT M12x40x2P	10260052	5
2	PLAIN DISC 26"x6MM	FKMDP-020	1
3	SPINDLE	FKMDP-021	1
4	SPRING WASHER12MM	10270003	5
5	PLAIN NUT M12x1.75P	10280028	5
6	OIL SEAL 150.5x140.5x18T	10010009	1
7	BEARING - 32213	10050012	1
8	GREASE NIPPLE 10x15x1.5P	10300005	1
9	BEARING HOUSING	FKDR-020	1
10	BEARING - 32209	10050013	1
11	CASTEL NUT M36x2P	10280071	1
12	SPLIT PIN 4x65mm	10020055	1
13	GESKET	FKMDP-023	1
14	BEARING HOUSING CAP	FKMDP-024	1
15	ALLEN BOLT M10x35x1.5P	10260093	3

SPINDLE ASSEMBLY

DELIVERY CHECKLIST

Dealer Pre-Delivery (Please Tick)
<p>1. Dealer Pre-Delivery Checklist</p> <ol style="list-style-type: none"> 1. The customer or person responsible has been given the operator's manual. 2. The customer undertakes to read the complete operator's manual and understands all aspects of the manual before operation of the machine. 3. All safety, operational and maintenance information have been explained and demonstrated. 4. All greasing and oil points, stickers, guarding and ID plate have been identified and physically pointed out. 5. The customer agrees that it is his responsibility to read and carry out the safety, maintenance and operation as per this operator's manual.

Customer Delivery (Please Tick)
<p>2. Customer Delivery Checklist</p> <ol style="list-style-type: none"> 1. The customer or person responsible has been given the operator's manual. 2. The customer undertakes to read the complete operator's manual and understands all aspects of the manual before operation of the machine. 3. All safety, operational and maintenance information have been explained and demonstrated. 4. All greasing and oil points, stickers, guarding and ID plate have been identified and physically pointed out. 5. The customer agrees that it is his responsibility to read and carry out the safety, maintenance and operation as per this operator's manual.

Please Complete all Dealer information Below
<p>Dealer Information</p> <p>Dealer's Name.....</p> <p>Address.....</p> <p>State..... Postcode.....</p> <p>Phone..... Fax.....</p> <p>Email.....</p> <p>Service Person.....</p> <p>I confirm that the pre-delivery service was performed on this machine.</p> <p>Signature.....</p> <p>Date.....</p> <p>Comments.....</p>

Please Complete all Customer Information Below
<p>Customer Information</p> <p>Customer's Name.....</p> <p>Address.....</p> <p>State..... Postcode.....</p> <p>Phone..... Fax.....</p> <p>Email.....</p> <p>Delivery Person.....</p> <p>I confirm that all of the delivery checks were explained and performed.</p> <p>Signature.....</p> <p>Delivery Date.....</p> <p>Comments.....</p>



WARRANTY CARD
Customer Copy

CUSTOMER NAME Mr./ Mrs :

ADDRESS :

MOBILE NO. :

Email :

NAME OF IMPLEMENT :

MODEL NO. :

YEAR OF Mfg. :

SERIAL NO. :

REGISTRATION NO. :

DATE OF PURCHASING :

NAME OF DEALER :

Customer's Signature

Dealer's Signature



BERI UDYOG PVT LTD

Corporate Office:

Plot No. 235 to 240, Sec-3, HSIIDC, Karnal- 132001 (Haryana), India

+91 184 2221571/ 72/ 73

info@fieldking.com, www.fieldking.com



WARRANTY CARD
Company Copy

CUSTOMER NAME Mr./ Mrs :

ADDRESS :

MOBILE NO. :

Email :

NAME OF IMPLEMENT :

MODEL NO. :

YEAR OF Mfg. :

SERIAL NO. :

REGISTRATION NO. :

DATE OF PURCHASING :

NAME OF DEALER :

Customer's Signature

Dealer's Signature



BERI UDYOG PVT LTD

Corporate Office:

Plot No. 235 to 240, Sec-3, HSIIDC, Karnal- 132001 (Haryana), India

+91 184 2221571/ 72/ 73

info@fieldking.com, www.fieldking.com



WARRANTY CARD
Dealer Copy

CUSTOMER NAME Mr./ Mrs :

ADDRESS :

MOBILE NO. :

Email :

NAME OF IMPLEMENT :

MODEL NO. :

YEAR OF Mfg. :

SERIAL NO. :

REGISTRATION NO. :

DATE OF PURCHASING :

NAME OF DEALER :

Customer's Signature

Dealer's Signature



BERI UDYOG PVT LTD

Corporate Office:

Plot No. 235 to 240, Sec-3, HSIIDC, Karnal- 132001 (Haryana), India

+91 184 2221571/ 72/ 73

info@fieldking.com, www.fieldking.com