



220 S. Jefferson
Dixon, California 95620
(707) 678-5533

S
O
L
D

T
O

NVS.

S
H
I
P

T
O

Date _____ P.O. No. _____ Ship Via _____

B.O. Shorts Yes No

Drop Ship

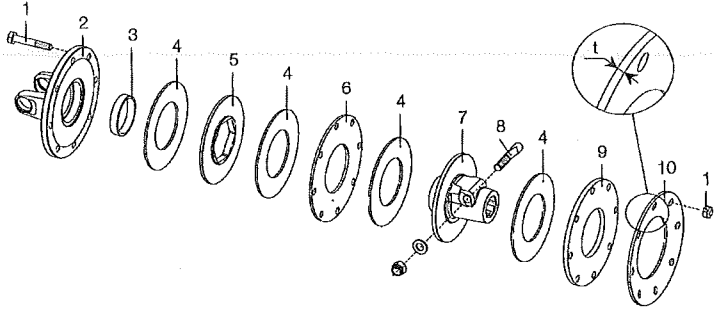
Quantity	Description	
	<i>BVP 5070 L0355</i>	<i>YOKE TRACTOR 540</i>
	<i>BVP 412 Q L0012</i>	<i>CROSS</i>
	<i>BVP 204586853</i>	<i>FEMALE YOKE</i>
	<i>BVP 204586854</i>	<i>MALE YOKE</i>
	<i>BVP 5070 L3755</i>	<i>YOKE TRACTOR 1000</i>
	<i>COMPLETE BVP C58 N066 CE007 N81</i>	

Order Taken By _____ Order Filled by _____



Friction torque limiters FV

FV44
adjustable
setting



Ref.	Size	Spare part code	Description	Technical data
1		432000114R08	Bolt	M10 x 75 mm
2	S8 - H8 S9 SH S0	253078702 253089001 2530N9001 2530S1F01	Flange yoke	
3		258005320R02	Bushing	
4		247006351R08	Friction lining	D = 162 ; d = 85 mm
5		248737702	Driving plate	
6		248870011	Inner plate	Thickness = 4 mm
7		515900305 515903705 515900405 515903805	Hub with taper pin	1 3/8" Z6 1 3/8" Z21 1 3/4" Z6 1 3/4" Z20
8		408000047R02 408000046R02	Taper pin	1 3/8" Z6 - Z21 1 3/4" Z6 - Z20
9		248870007	Pressure plate	Thickness = 8 mm
10		367009870	Belleville spring	t = 4.25 mm