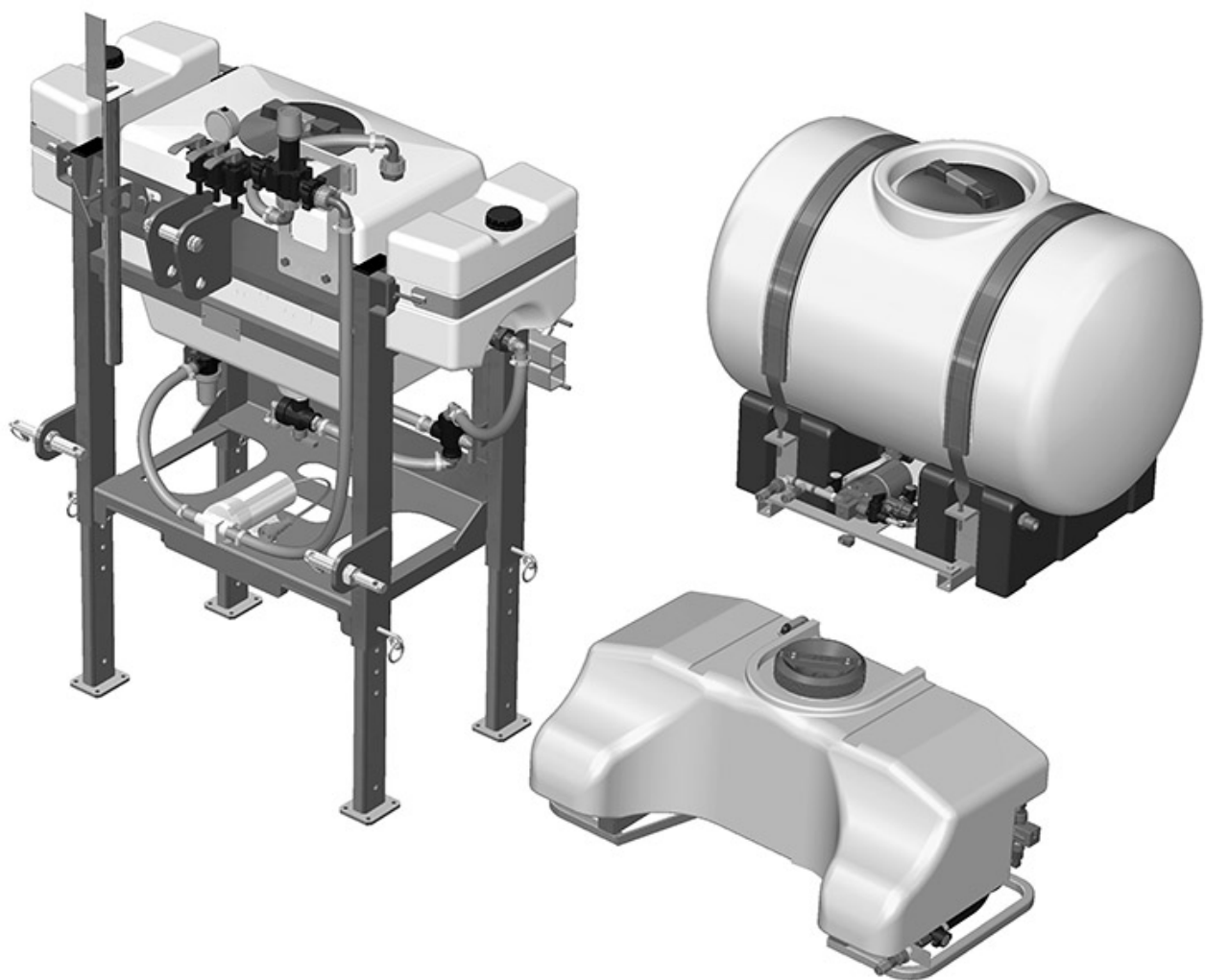




*TankSystem*ATV

*TankSystem*100L

*TankSystem*200L



Parts Catalogue

Publication Part No: 10233

Revision: 1

Edition Notice

Prepared and printed by or on behalf of:



This publication covers the following products:

Tank System ATV (60 and 80 litres)
Tank System 100L
Tank System 200L

This document is prepared for Micron Sprayers Ltd. their agents and clients. The document should be taken in its entirety. No responsibility can be accepted, nor can consent be assumed for the part reproduction, editing, extract or quotation taken out of context of this document.

All rights reserved. No part of this publication may be reproduced, stored in a retrieval system, or transmitted in any form or by any means, electronic, mechanical, photocopying, recording or otherwise, without the prior permission of Micron Sprayers Ltd.

Copyright © Micron Sprayers Ltd. 2015

Whilst every effort has been made to ensure the accuracy of this document, any errors or inaccuracies should be reported to Micron Group or their agents.



Bromyard Industrial Estate
Bromyard
Herefordshire
HR7 4HS
U.K.

T +44 (0)1885 482397
F +44 (0)1885 483043
E enquiries@micron.co.uk
www.microngroup.com

Table of Contents

Section	Page
EDITION NOTICE	3
1 TANK SYSTEM ATV.....	6
1.1 TANK SYSTEM ATV – TANKS AND CHASSIS	8
1.2 TANK SYSTEM ATV PLUMBING	10
2 TANK SYSTEM 100L.....	14
2.1 TANK SYSTEM 100L CHASSIS AND TANKS	14
2.2 TANK SYSTEM 100L PLUMBING (ELECTRIC PUMP)	16
2.3 TANK SYSTEM 100L PLUMBING (HYDRAULIC PUMP).....	18
2.4 TANK SYSTEM 100L ACCESSORIES	20
3 TANK SYSTEM 200L.....	22
3.1 TANK SYSTEM 200L PLUMBING	24
4 ACCESSORIES.....	28
4.1 POWER WIRE ASSEMBLY (ZC020)	28
4.2 DETACHABLE HOSE AND CABLE ASSEMBLY (ZT040).....	29
4.3 POWER WIRE CONNECTOR	30
APPENDIX A CONVERSION FACTORS.....	31

Only use spare parts recommended by Micron Group, their agents and/or distributors.

The use of parts not specifically recommended by micron group, their agents and/or distributors may void any warrantee agreements.

Spare parts should only be fitted by suitably qualified and/or experienced persons.

When ordering spare parts, please specify the following information:

- Serial number of system/unit.
- Approximate date of manufacture.
- Description of part.
- Part number as shown in this section.
- Quantity required.

For spare parts and accessories contact:



Micron Sprayers Ltd.
Bromyard Industrial Estate
Bromyard
Herefordshire
HR7 4HS
U.K.

T +44 (0)1885 482397
F +44 (0)1885 483043
E enquiries@micron.co.uk

www.microngroup.com

Enviromist Industries PTY. Ltd.
Box 1246,
Berri 5343,
South Australia

T +61 (0)8 8582 4077
E enquiries@enviromist.com.au

Or your authorised agent:

Agent / Distributor details:

1 TANK SYSTEM ATV

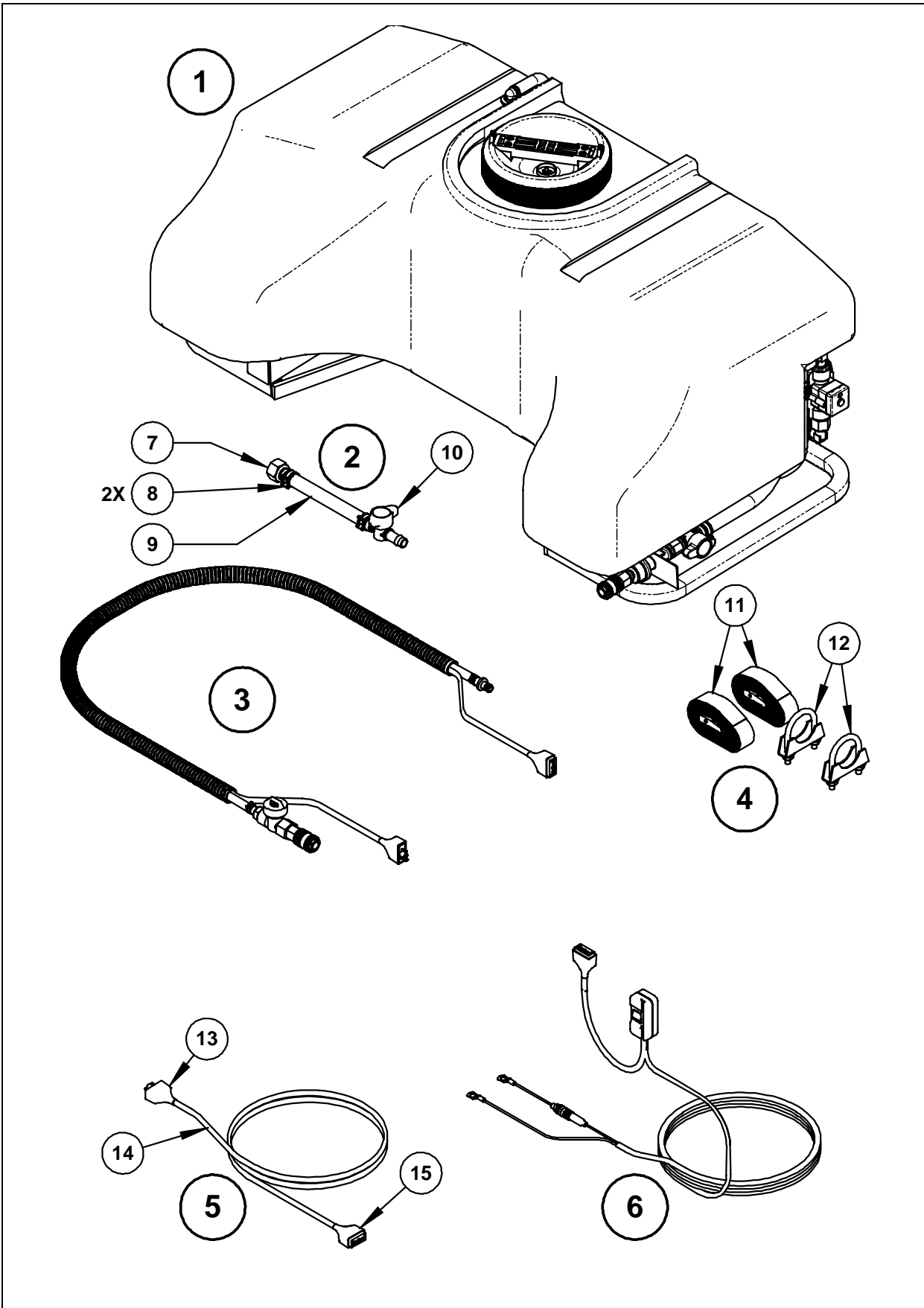


Figure 1 – Tank System ATV

Tank System ATV

ITEM	PART NO.	DESCRIPTION	
1	-	TANKS, PLUMBING AND CHASSIS	Section 1.2
2	ZT023	DRAIN HOSE ASSEMBLY.	
3	ZT040	DETACHABLE HOSE AND CABLE 1.75 m	Section 4.2
	ZT040/13	DETACHABLE HOSE AND CABLE 4.0 m	
	ZT040/15	DETACHABLE HOSE AND CABLE 4.5 m	
	ZT040/18	DETACHABLE HOSE AND CABLE 5.4 m	
	ZT040/22	DETACHABLE HOSE AND CABLE 6.7 m	
	ZT040/25	DETACHABLE HOSE AND CABLE 7.6 m	
	ZT040/30	DETACHABLE HOSE AND CABLE 9.1 m	
4	ZT058	CLAMP AND TIE DOWN KIT	
5	ZT029	POWER WIRE EXTENSION 1.5 m	
	ZT066	POWER WIRE EXTENSION 4.5 m	
6	ZC020	POWER WIRE ASSEMBLY, BACKPLATE	Section 4.1
7	AL036	HOSE TAIL, 1/2" X 12 mm, SWIVEL	
8	NH006	HOSE CLIP, 17 mm	
9	BI001	HOSE, 1/2", WHITE	
10	BI072	VALVE, 1/2", GREENBACK, BARBED	
11	SD001	PULL DOWN STRAP, YELLOW, 1.5 m	
12	SC002	CLAMP, C4, BZP	
13	-	PLUG, 2 PIN (MALE), IN-LINE ¹	
14	GE012	CABLE, 2 CORE, RED/BLACK	
15	-	SOCKET, 2 PIN, IN-LINE ¹	

¹ May be fitted with upgraded connector refer to section 4.3

1.1 Tank System ATV – Tanks and Chassis

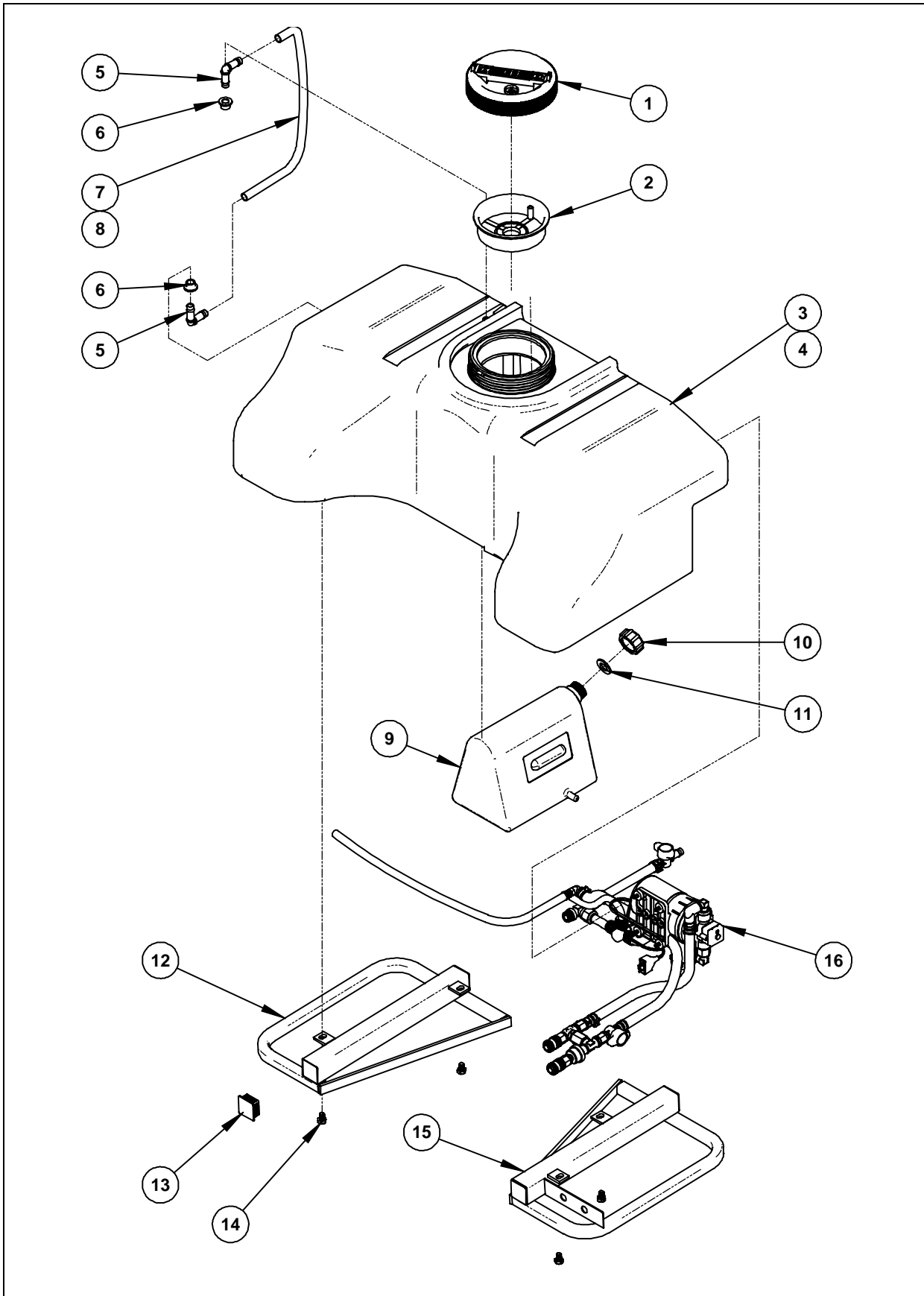


Figure 2 – Tank System ATV – Tanks and Chassis

Tank System ATV – Tanks and Chassis

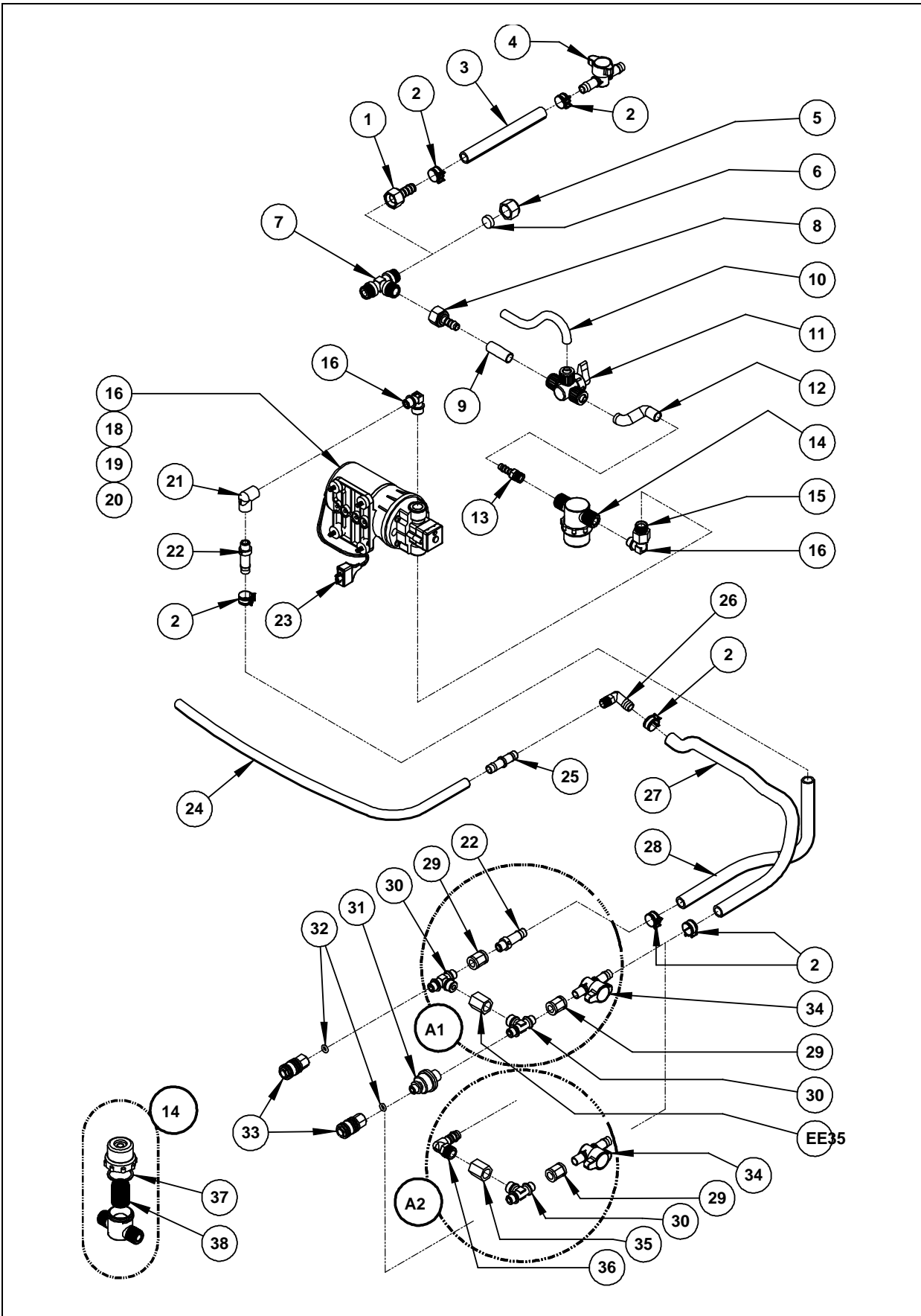
ITEM	PART NO.	DESCRIPTION	QTY.
1	CL041	TANK LID ASSEMBLY COMPLETE	1
2	CL042	TANK LID STRAINER ASSEMBLY	1
3	LP012	TANK, LOW PROFILE, 60 LITRE	1
4	LP020	TANK, LOW PROFILE, 80 LITRE	1
5	BI011	ELBOW, E12	4
6	BI029	GROMMET, TOP HAT, GR12TH	4
7	NY001	HOSE, CVT, 13 mm, CLEAR	0.48 m
8	NY001	HOSE, CVT, 13 mm, CLEAR	0.56 m
9	LP013	TANK, LOW PROFILE RINSE, 3.5 LITRE	1
10	ZT037	BOTTLE CAP, 1", DRILLED	1
11	BI075	WASHER, 1", DNU	1
12	ZT018	CHASSIS, LOW PROFILE TANK, LEFT HAND	1
13	RS105	PLUG, SQUARE, 40 mm, BLACK	4
14	UF080	SET SCREW, 5/16 BSW x 1/2", HEX, BZP	4
15	ZT028	CHASSIS, LOW PROFILE TANK, RIGHT HAND	1
16	-	TANK SYSTEM ATV PLUMBING	Section 1.2

Tank System ATV Plumbing

ITEM	PART NO.	DESCRIPTION	QTY.
1	AL036	HOSE TAIL, 1/2" X 12 mm, SWIVEL	1
2	NH006	HOSE CLIP, 17 mm	6
3	BI001	HOSE, 1/2", WHITE	0.16 m
4	BI072	VALVE, 1/2", GREENBACK, BARBED	1
5	AL023	END CAP, 1/2"	1
6	CP19438-EPR	GASKET, CAP	1
7	AL022	TEE, 1/2"	1
8	AL021	HOSE TAIL, 1/2" X 10 mm, SWIVEL	1
9	BI074	HOSE, 12 mm x 8 mm, PVC, CLEAR	0.05 m
10	BI074	HOSE, 12 mm x 8 mm, PVC, CLEAR	0.17 m
11	ZT041	VALVE, 3 WAY	1
12	BI074	HOSE, 12 mm x 8 mm, PVC, CLEAR	0.07 m
13	AL016	HOSE BARB, 1/4" x 8 mm	1
14	HN030	FILTER HOUSING COMPLETE WITH FILTER	1
15	AL026	ADAPTER, 3/8" x 3/8", MF	1
16	AL020	ELBOW, REDUCING, 3/8" x 1/4"	2
16	RM011	PUMP, REMCO, 3323-2E1-82B, DEMAND	1
18	RM010	PUMP, REMCO, 3323-1E1-82B, BYPASS	1
19	UF103	3/16 BSW x 1" PAN PHIL G304 S/S	4
20	UF002	WASHER, FLOAT, 3/16" X 1/2" X 20 G, BZP	4
21	GS045	ELBOW, 1/4", FF, BRASS	1
22	BI026	D1214- 1/2" x 1/4" DIRECTOR	2
23	-	PLUG, 2 PIN (MALE), IN-LINE	1 ¹

¹ May be fitted with upgraded connector refer to section 4.3

Tank System ATV Plumbing (continued)



Tank System ATV Plumbing (continued)

Tank System ATV Plumbing (continued)

ITEM	PART NO.	DESCRIPTION	QTY.
24	BI001	HOSE, 1/2", WHITE	0.6 m
25	BI071	HOSE JOINER, 1/2"	1
26	ZT020	ELBOW, 1/2", NYLON	1
27	CL064	HOSE, PRESSURE, 12 mm, BLACK	0.4 m
28	CL064	HOSE, PRESSURE, 12 mm, BLACK	0.35 m
29	BI003	COUPLING, 3/8", FF	3
30	AL031	TEE, 3/8"(1/4"), RED	3
31	CF020	CONSTANT FLOW VALVE, 1/4" MF, 14.5 psi	1 ¹
32	GB007	O-RING, RM6 x 3, VITON	2
33	AL001	SOCKET, QUICK RELEASE, 1/4" BSPT F	2
34	ZT032	VALVE, GREENBACK, MODIFIED	2
35	BI004	COUPLING, 3/8" F	2
36	CL007	ELBOW, 3/8 BSP x 12 mm, MALE	1
37	HN030B	GASKET, FILTER BODY	1
38	HN030C	FILTER ELEMENT, 50 MESH	1
A1	-	OUTLET PLUMBING FOR DUAL FLOW MODELS	-
A2	-	OUTLET PLUMBING FOR SINGLE FLOW MODELS	-

¹Where fitted.

2 TANK SYSTEM 100L

2.1 Tank System 100L Chassis and Tanks

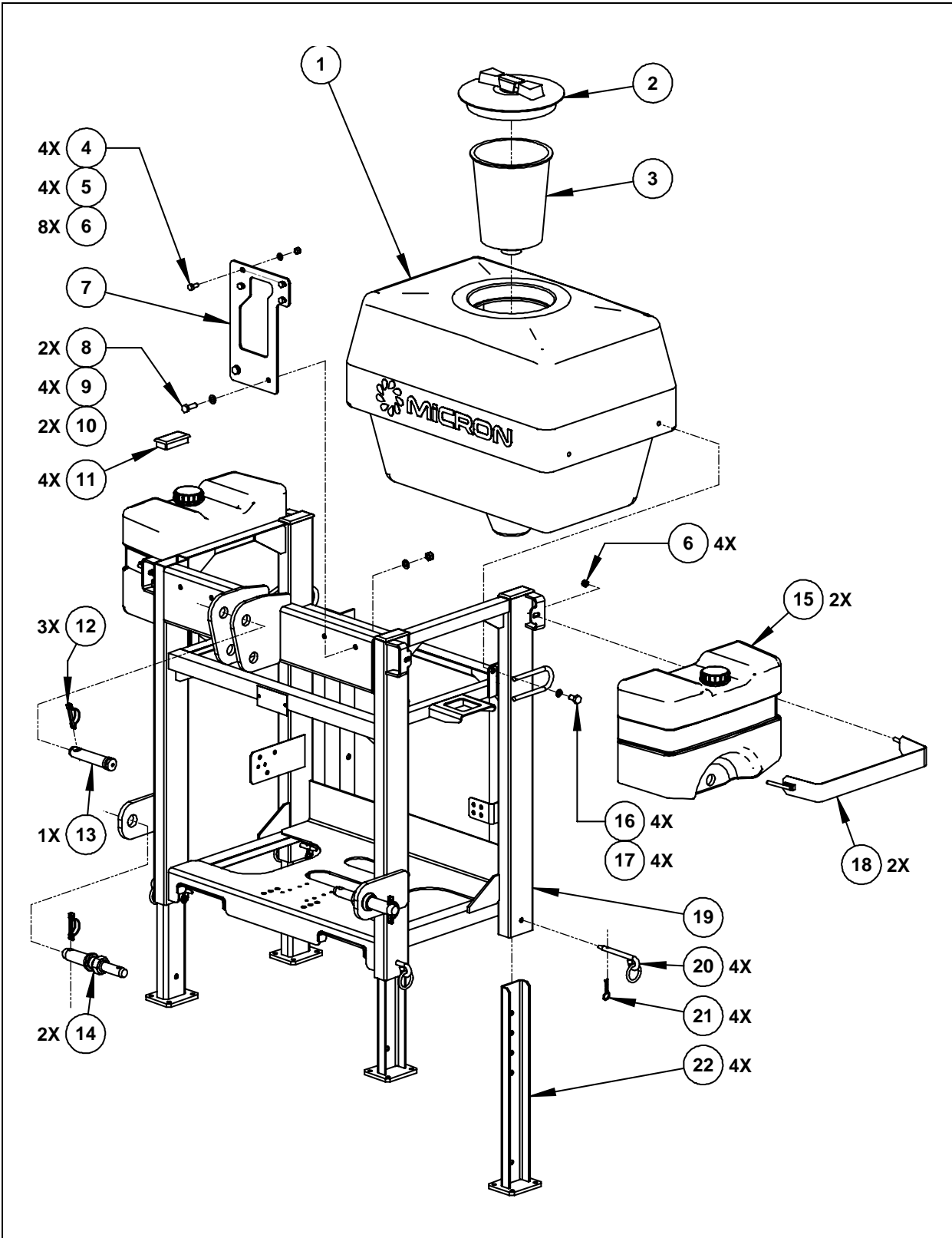


Figure 4 – Tank System 100L Chassis and Tanks

Tank System 100L Chassis and Tanks

ITEM	PART NO.	DESCRIPTION	QTY.
1	5823	100L TANK	1
2	AJ6201A	TANK LID WITH AIR VENT	1
3	AJ6200	FILTER BASKET STRAINER	1
4	4217	Screw M8 x 20	4
5	6900	WASHER, M8	4
6	6514	NUT, M8 NYLOC	8
7	9174	BRACKET (PRESSURE VALVE)	1
8	6293	SCREW, M10 x 30, HEX HD.	2
9	5973	WASHER, M10 FLAT, S/S	4
10	5975	NUT, M10 NYLOC, S/S	2
11	9137	CAP, INSERT 80 x 40 x 2-4 mm	4
12	8463	LINCHPIN	3
13	7924	CAT. 2 TOP LINK PIN	1
14	6806	LOWER LINK PIN, DUAL, CAT 1 AND 2	2
15	7710	TANK, 15L, HAND-WASHING	2
16	5967	SCREW, M10 x 20 HEX, S/S	4
17	5972	WASHER M10 SPRING	4
18	9144	TANK CLAMP (15Lt)	2
19	9200	100LT TANK FRAME	1
20	7739	COTTER PIN & CHAIN, 10x109 LONG UNDRILLED	4
21	5671	'R' CLIP	4
22	9155	HEIGHT ADJUSTMENT LEG	4

2.2 Tank System 100L Plumbing (Electric Pump)

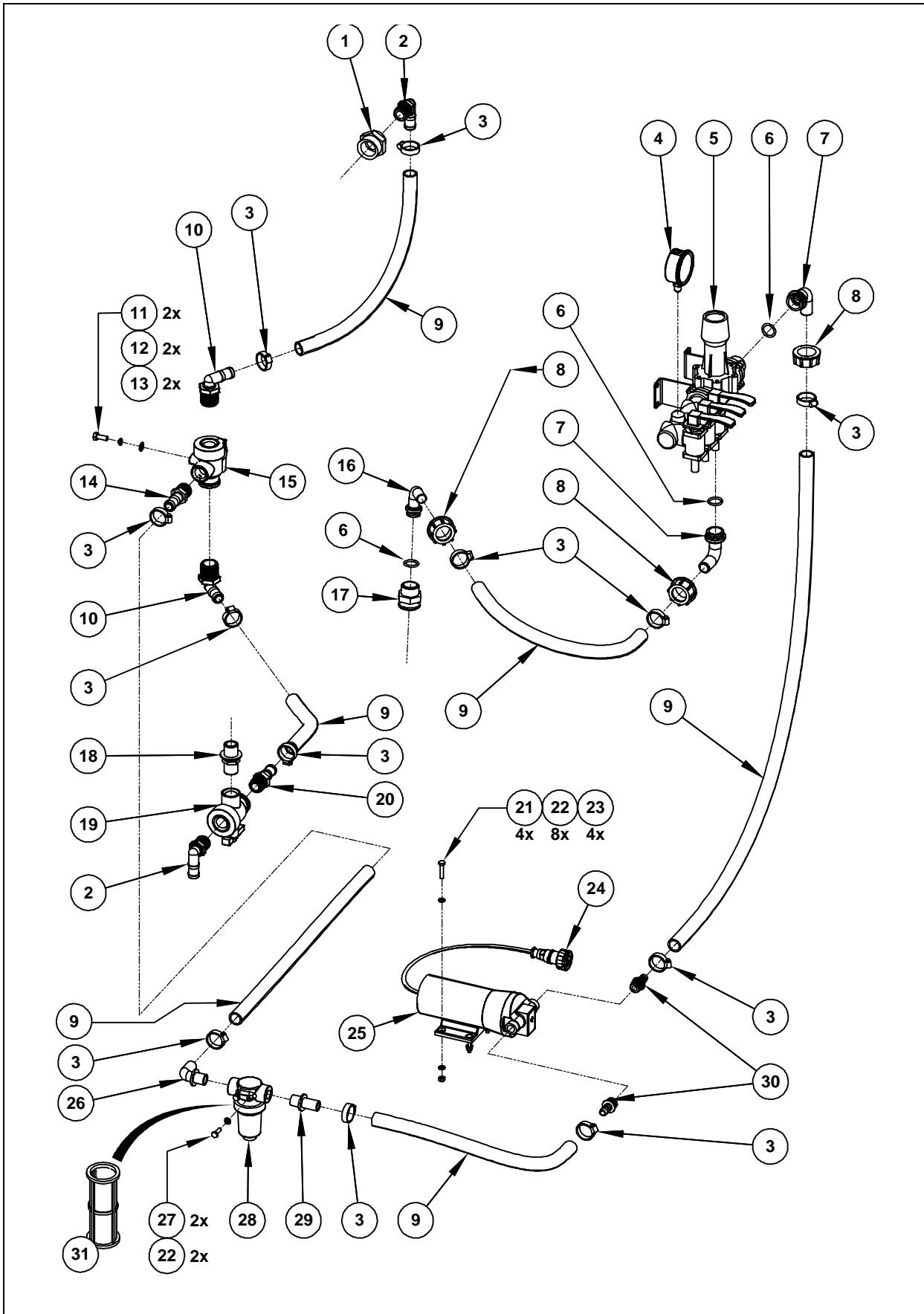


Figure 5 – Tank System 100L Plumbing (Electric Pump)

Tank System 100L Plumbing (Electric Pump)

ITEM	PART NO.	DESCRIPTION	QTY.
1	7823	REDUCER 1" F x 3/4" F	1
2	7533	HOSE BARB 3/4"BSPM X 3/4 ELBOW	2
3	8672	CLIP 25-35 mm	12
4	6677	PRESSURE GAUGE 0-4 BAR	1
5	9085	CONSTANT PRESSURE MANUAL UNIT 3 SECTION	1
6	9163	O-RING	3
7	8516	HOSE BARB 31.5 mm X 22 mm BARB ELBOW	2
8	7418	FLY NUT 1"	3
9	8258	HOSE, 3/4" 20 BAR, BLACK	6
10	8065	ELBOW 1"M X 3/4" BARB 90 DEG	2
11	4217	SCREW M8 x 20	2
12	5869	WASHER M8 SPRING	2
13	6900	WASHER, M8	2
14	9568	ADAPTER, 1"M x 3/4" HOSE BARB	1
15	9567	1" 3-WAY BALL VALVE - L PORT	1
16	9157	HOSE BARB 19 mm X 24.5 mm BARB ELBOW	1
17	8317	COMPLETE OUTLET 1" BSPM	1
18	7817	ADAPTOR 3/4" BSPM/M	1
19	8291	3/4" 3-WAY BALL VALVE - L PORT	1
20	8128	ADAPTER, 3/4"M x 3/4" HOSE BARB	1
21	5727	SCREW M6 x 30 HEX	4
22	6017	WASHER, M6, FLAT FORM B, S/S	10
23	5984	NUT, M6 NYLOC	4
24	8843	PLUG, IP68 2 WAY CABLE PLUG,10A (section 4.3)	1
25	7413	PUMP - 18.9LPM - 2.8 BAR	1
26	7832	ELBOW 1/2 X 19 mm	1
27	5983	SCREW, M6x20 HEX HD.	2
28	8043	FILTER STRAINER	1 ¹
29	7816	1/2 X 19 mm	1
30	7857	QUAD x 1/2" BSPM	2
31	8044	FILTER SCREEN, 50 MESH	1 ¹

¹ Item 28 is supplied complete with filter screen item 31.

2.3 Tank System 100L Plumbing (Hydraulic Pump)

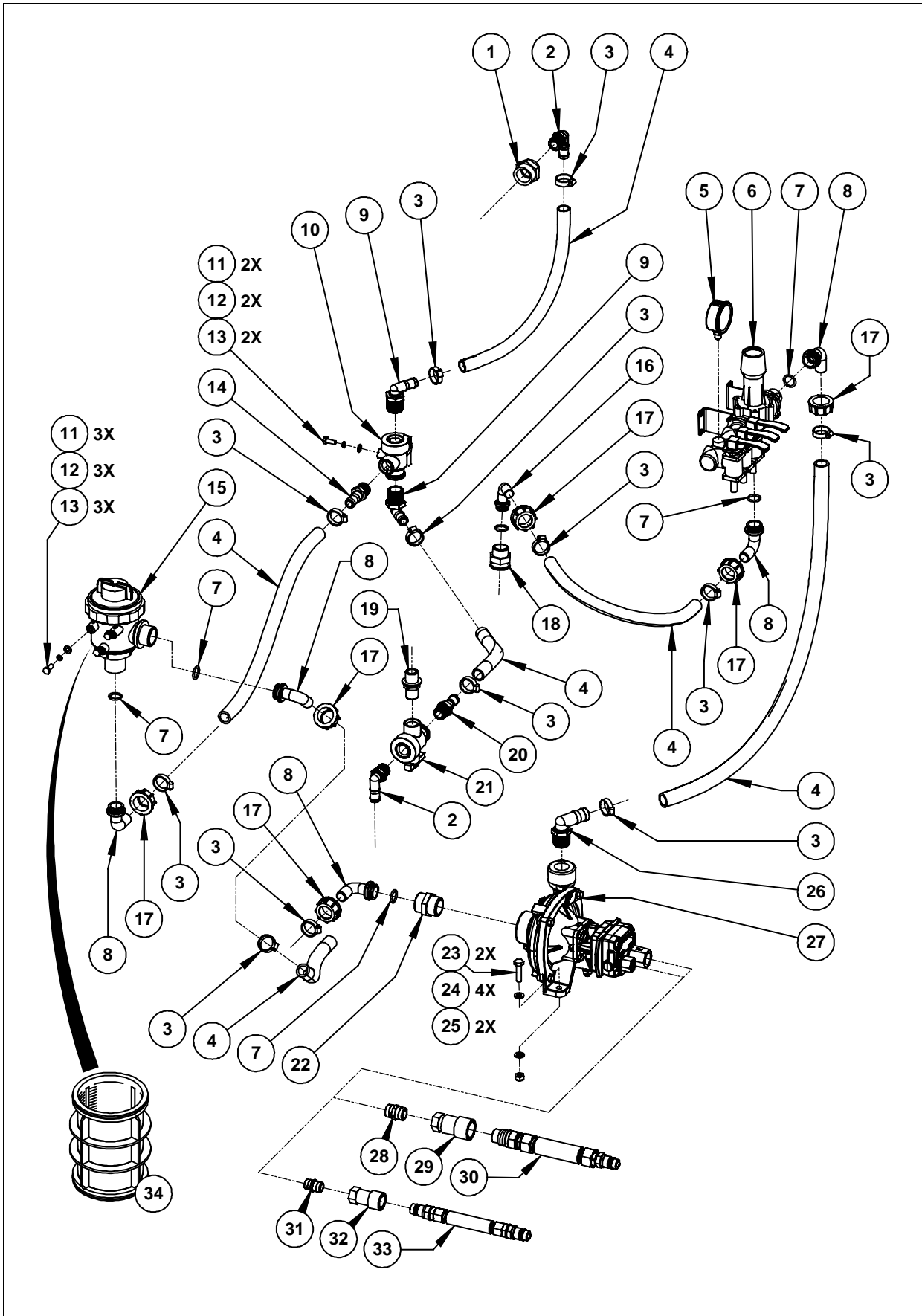


Figure 6 – Tank System 100L Plumbing (Hydraulic Pump)

Tank System 100L Plumbing (Hydraulic Pump)

ITEM	PART NO.	DESCRIPTION	QTY.
1	7823	REDUCER 1" F X 3/4" F	1
2	7533	HOSE BARB 3/4"BSPM X 3/4 ELBOW	2
3	8672	CLIP 25-35 mm	12
4	8258	HOSE, 3/4", 20 BAR, BLACK	6
5	6677	PRESSURE GAUGE 0-4 BAR	1
6	9085	MANUAL CONTROL VALVE E ASSEMBLY	1
7	9163	O-RING	6
8	8516	HOSE BARB 31.5 mm X 22 mm BARB ELBOW	5
9	8065	ELBOW 1"M X 3/4" BARB 90 DEG	2
10	9567	1" 3-WAY BALL VALVE - L PORT	1
11	6900	WASHER, M8	5
12	5869	WASHER M8 SPRING	5
13	4217	SCREW M8 X 20	5
14	9568	ADAPTER, 1"M X 3/4" HOSE BARB	1
15	8130	FILTER UNIT WITH SHUT OF VALVE	1 ¹
16	9157	HOSE BARB 19 mm X 24.5 mm BARB ELBOW	1
17	7418	FLY NUT 1"	6
18	8317	COMPLETE OUTLET 1" BSPM	1
19	7817	ADAPTOR 3/4" BSPM/M	1
20	8128	ADAPTER, 3/4"M X 3/4" HOSE BARB	1
21	8291	3/4" 3-WAY BALL VALVE - L PORT	1
22	9124	ADAPTER 1 1/4" M/M	1
23	8464	SCREW, M10X40, HEX HD.	2
24	5973	WASHER, M10 FLAT, S/S	4
25	5975	NUT, M10 NYLOC, S/S	2
26	7902	ELBOW 1"M X 1" BARB 90 DEG	1
27	9288	PUMP 9302C-HM2C	1
28	8687	ADAPTOR 3/4 BSP X 3/4 NPT	1
29	9151	HYDRAULIC Q/R 3/4"BSPF COUPLER	1
30	9187	HOSE ASSEMBLY 3/4"	1
31	8360	ADAPTOR 1/2 BSP X 1/2NPT	1
32	9153	HYDRAULIC Q/R 1/2"BSPF COUPLER	1
33	9188	HOSE ASSEMBLY 1/2"	1
34	8326	FILTER SCREEN, 50 MESH	1 ¹

¹ Item 15 is supplied complete with filter screen item 34.

2.4 Tank System 100L Accessories

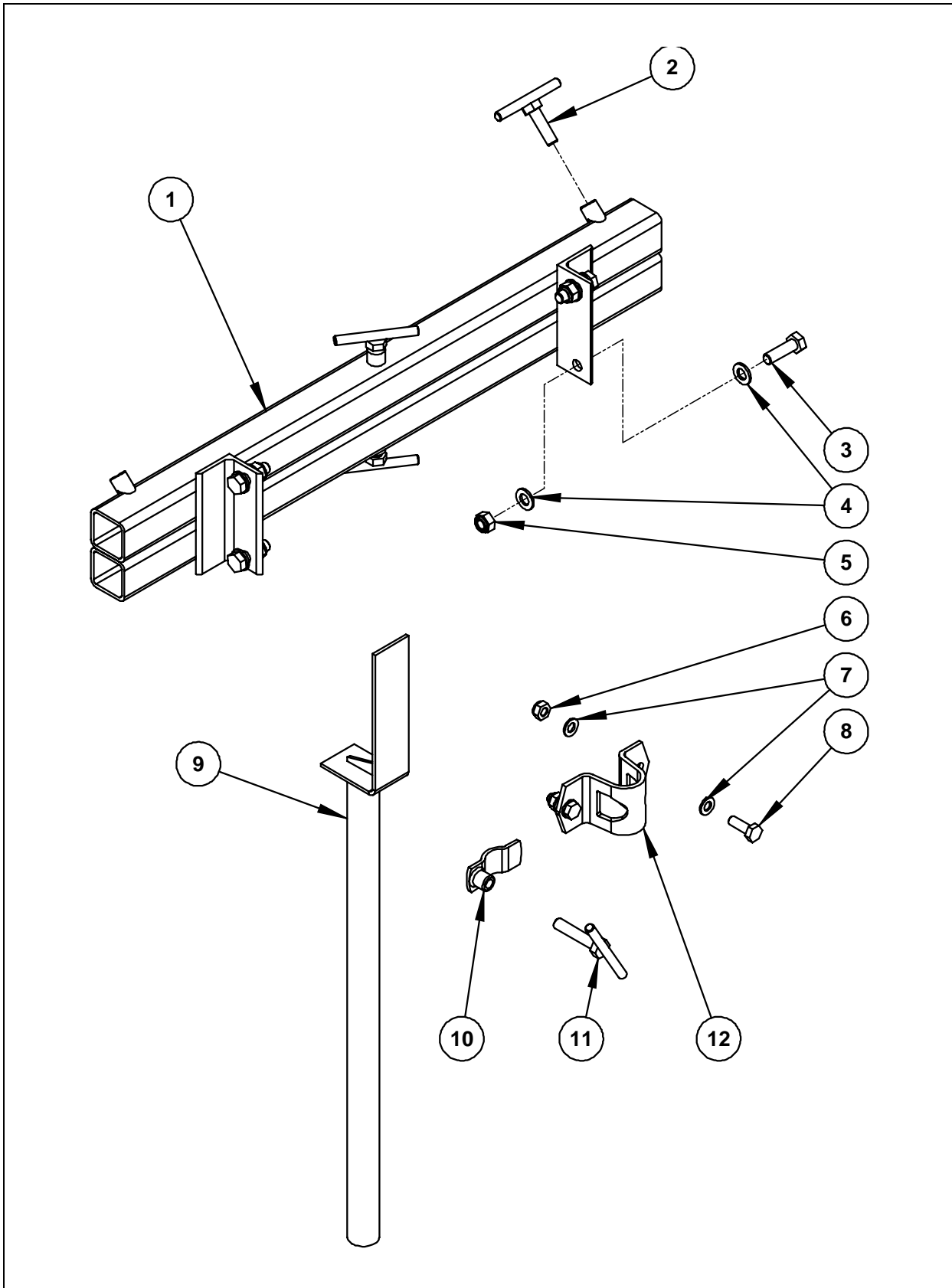


Figure 7 – Tank System 100L Accessories

Tank System 100L Accessories

ITEM	PART NO.	DESCRIPTION	QTY.
1	8510	BRACKET ADJUSTMENT TUBE	1
2	9018	CLAMPING SCREW (M12)	4
3	6565	SCREW M12x40	4
4	6567	WASHER, M12 FLAT	8
5	5177	NUT, M12 NYLOC	4
6	5975	NUT, M10 NYLOC, S/S	2
7	5973	WASHER, M10 FLAT, S/S	4
8	6293	SCREW, M10x30, HEX HD.	2
9	8073	BRACKET, ENVIROMIST FLOW GAUGE	1
10	8767	CLAMP	1
11	8768	CLAMPING SCREW (M12)	1
12	8766	CLAMP BRACKET	1

3 TANK SYSTEM 200L

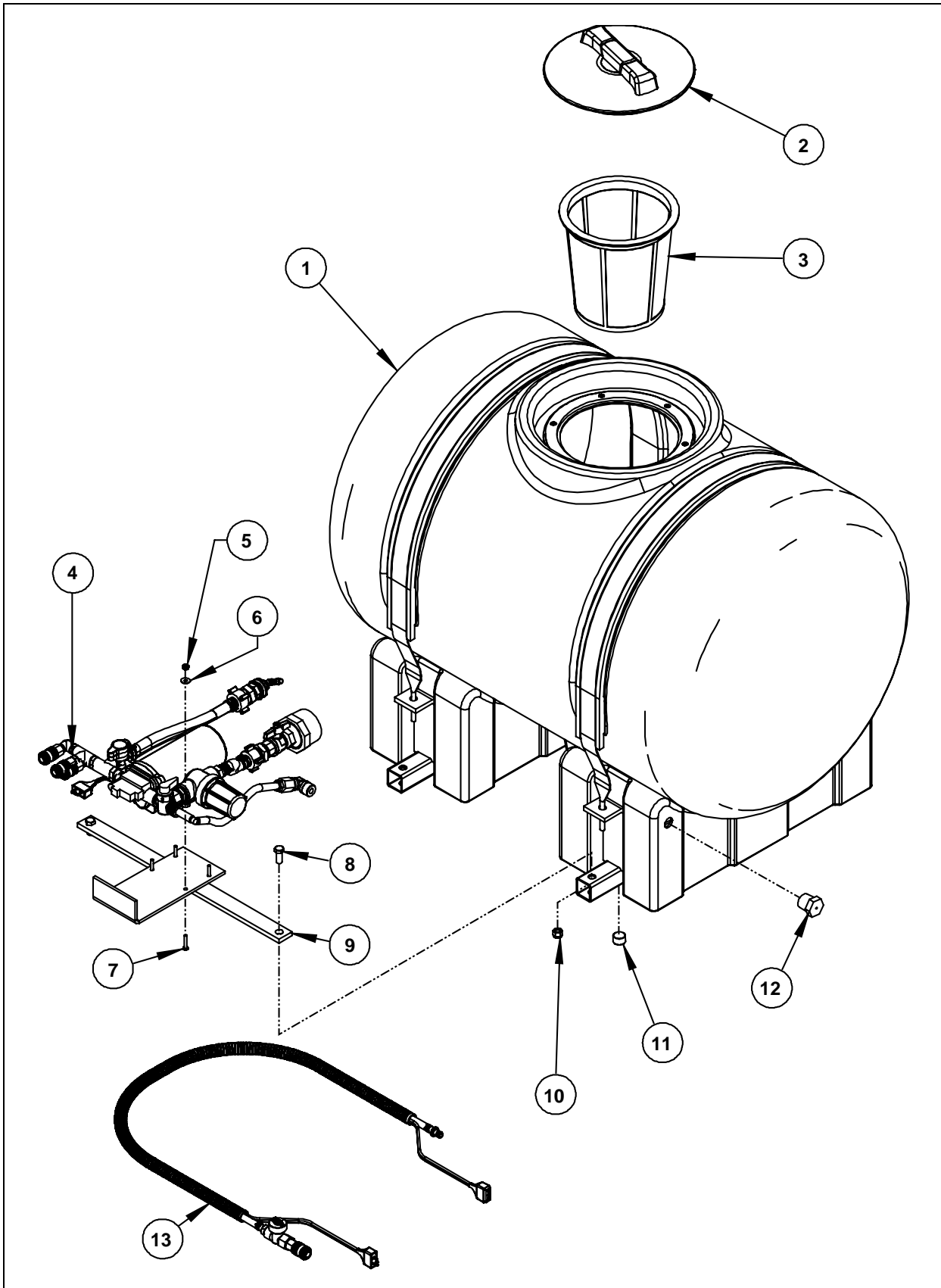


Figure 8 – Tank System 200L

Tank System 200L

ITEM	PART NO.	DESCRIPTION	QTY.
1	TP001	TANK, 200 LITRE, WITH LID AND STRAINER	1 ¹
2	TP003	LID	1 ¹
3	TP004	STRAINER BASKET	1 ¹
4	-	PLUMBING - (section 3.1)	
5	UF027	NUT, 10-24, NYLOC	4
6	UF003	WASHER, FLAT, 3-16 x 5-8 x 18 g	4
7	UF015	SET SCREW, 3-16 BSW x 1	4
8	UF018	BOLT, 3/8 x 1"	2
9	ZT203	BRACKET, PUMP, 200 LITRE TANK	1
10	UF029	NUT, 3/8 BSW, NYLOC, BZP	2
11	BI073	PLUG, HEX RECESS, 64 SH x 1/2	1
12	ZT035	PLUG, 3/4" MODIFIED	1
13	ZT040	DETACHABLE HOSE AND CABLE 1.75 m	Section 4.2
	ZT040/13	DETACHABLE TANK HOSE AND CABLE 4.0 m	
	ZT040/15	DETACHABLE TANK HOSE AND CABLE 4.5 m	
	ZT040/18	DETACHABLE TANK HOSE AND CABLE 5.4 m	
	ZT040/22	DETACHABLE TANK HOSE AND CABLE 6.7 m	
	ZT040/25	DETACHABLE TANK HOSE AND CABLE 7.6 m	
	ZT040/30	DETACHABLE TANK HOSE AND CABLE 9.1 m	

¹ Item 1 includes Lid (item 2) and Strainer (item3)

3.1 Tank System 200L Plumbing

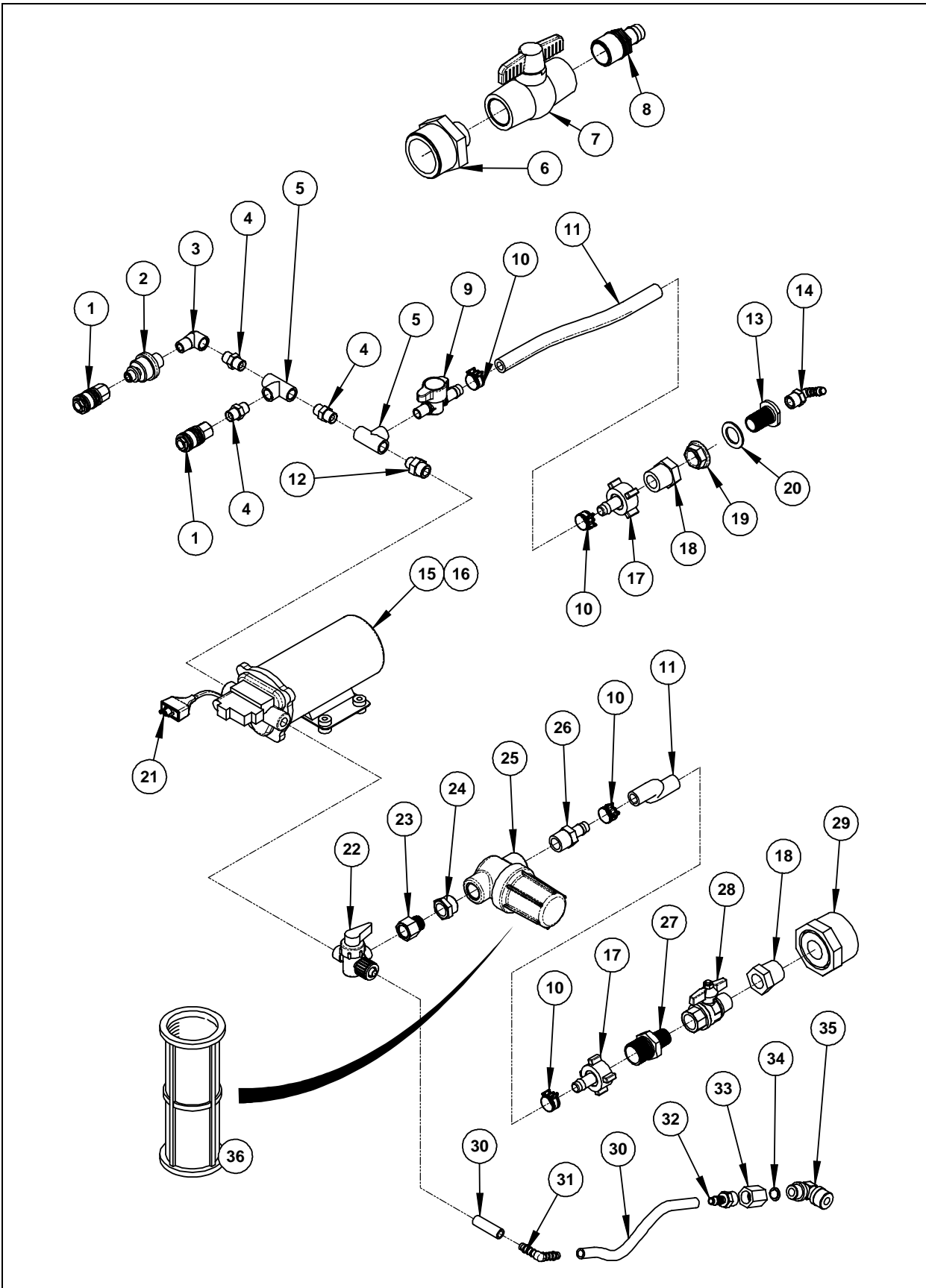


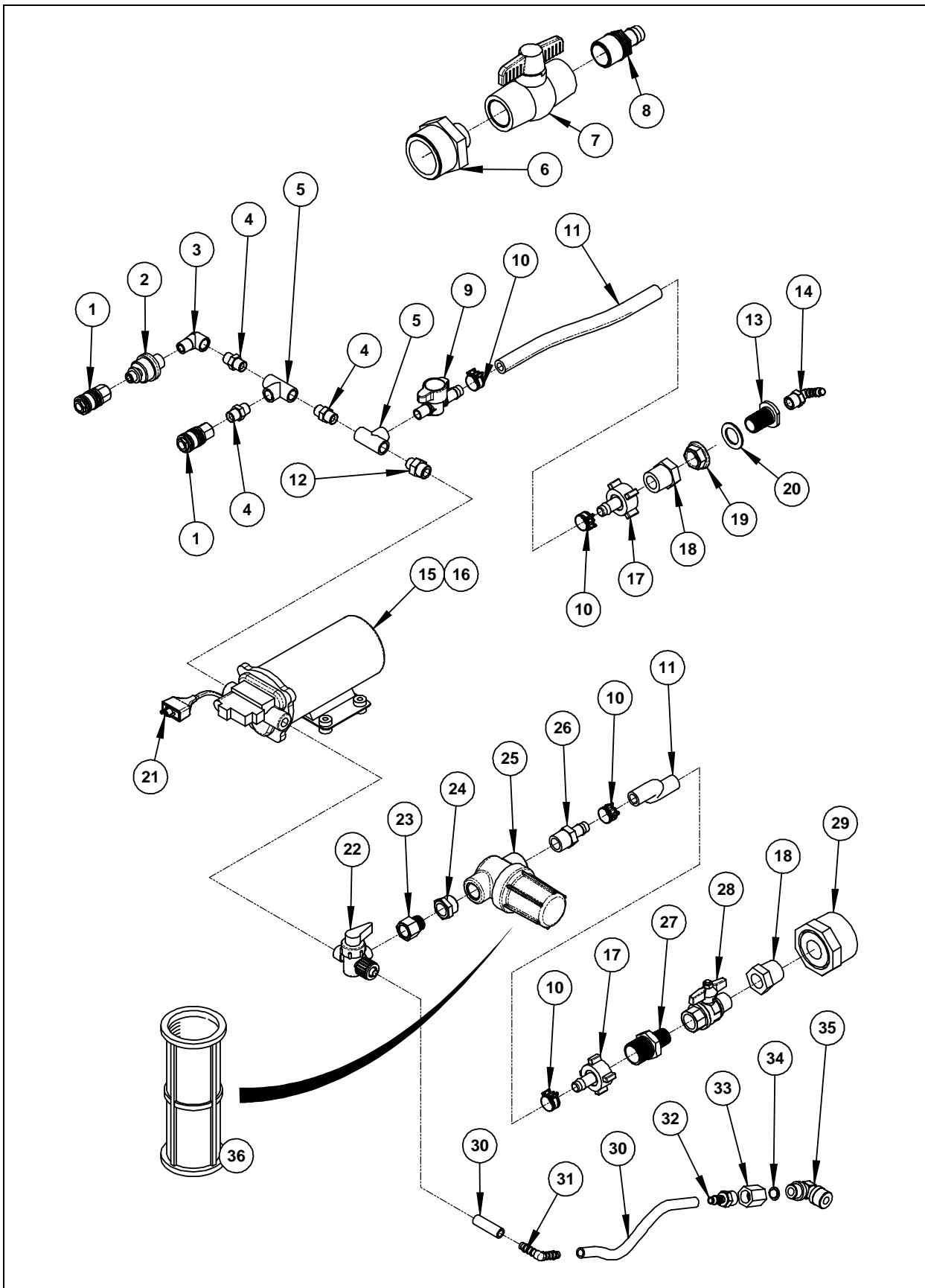
Figure 9 – Tank System 200L Plumbing

Tank System 200L Plumbing

ITEM	PART NO.	DESCRIPTION	QTY.
1	AL001	SOCKET, QUICK RELEASE, 1/4" BSPT F	2
2	CF020	CONSTANT FLOW VALVE, 1/4" MF, 14.5 psi	1
3	BI032	ELBOW, 1/4" M/F, BRASS	1
4	BI009	ADAPTER, 1/4" M/M	3
5	BI033	TEE, 1/4", BRASS	2
6	BI048	ADAPTER, 2" x 1" M/F	1
7	BI046	BALL VALVE, 1", PVC	1
8	BI045	HOSE BARB, 3/4" x 1" BSP	1
9	ZT032	VALVE, GREENBACK, MODIFIED	1
10	NH006	HOSE CLIP, 17 mm	4
11	BI001	HOSE, 1/2"	2
12	AL019	ADAPTER, 3/8" x 1/4" M/M	1
13	ZT034	FLANGE, BULKHEAD, 1/2"	1
14	AL037	HOSE BARB, ELBOW, 8 mm x 3/8 BSP	1
15	RM010	PUMP, 7.7 L/min 3/8" NPTF(BYPASS)	1
16	RM011	PUMP, 7.7 L/min 3/8" NPTF(DEMAND)	1
17	BI023	HOSE BARB, (NUT AND TAIL) N3412	2
18	BI006	ADAPTER, 3/4" x 1/2" M/F	2
19	HN009	BACK NUT, 1/2"	1
20	HN010	SEAL, BACK NUT, 1/2"	1
21	ST008	PLUG, 2 PIN (MALE), IN-LINE	1 ¹
22	ZT033	VALVE, 3 WAY	1

¹ May be fitted with upgraded connector refer to section 4.3

Tank System 200L Plumbing (continued)



Tank System 200L Plumbing (continued)

Tank System 200L Plumbing (continued)

ITEM	PART NO.	DESCRIPTION	QTY.
23	AL026	ADAPTER, 3/8" x 3/8", MF	1
24	BI076	ADAPTER, 3/8" x 1/2" BSP M/F	1
25	CL040	FILTER HOUSING, 1/2" (COMPLETE)	1 ¹
26	BI025	HOSE BARB, 1/2" x 1/2"	1
27	BI010	ADAPTER, 3/4" x 1/2" M/M	1
28	BI081	BALL VALVE, 15 mm, M/F, BRASS	1
29	BI042	ADAPTER, 2" x 3/4" M/F	1
30	BI074	HOSE, 12 mm, CLEAR	2
31	AL038	HOSE BARB, ELBOW, 8 mm	1
32	AL015	HOSE BARB 8 mm x 3/8"	1
33	BI004	COUPLING, 3/8" F	1
34	CL073	FILTER (CUP STRAINER), 50 MESH	1
35	AL025	ELBOW, 1/2" x 3/8" M/M	1
36	8044	FILTER SCREEN, 50 MESH	1 ¹

¹ Item 25 is supplied complete with filter screen item 36

4 ACCESSORIES

4.1 Power Wire Assembly (ZC020)

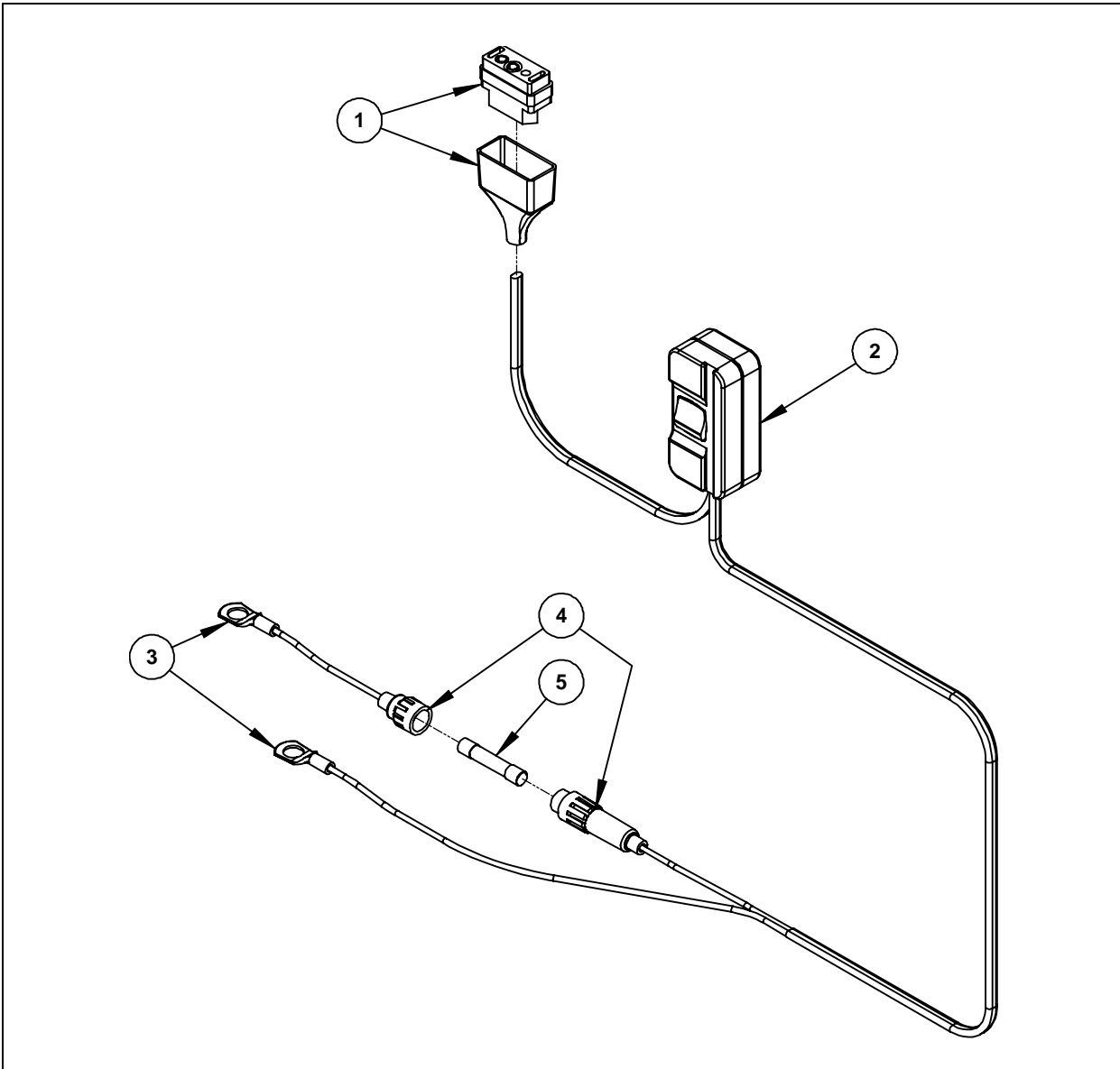


Figure 10 – Power Wire Assembly

ITEM	PART NO.	DESCRIPTION	QTY.
1	ST009	SOCKET, 2 PIN, IN-LINE	1 ¹
2	GE035	SWITCH, IN-LINE	1
3	GE021	TERMINAL LUG 8 mm	2
4	GE036	FUSE HOLDER	1
5	ST002	FUSE, 10A	1

¹May be fitted with upgraded connector refer to section 4.3

4.2 Detachable Hose and Cable Assembly (ZT040¹)

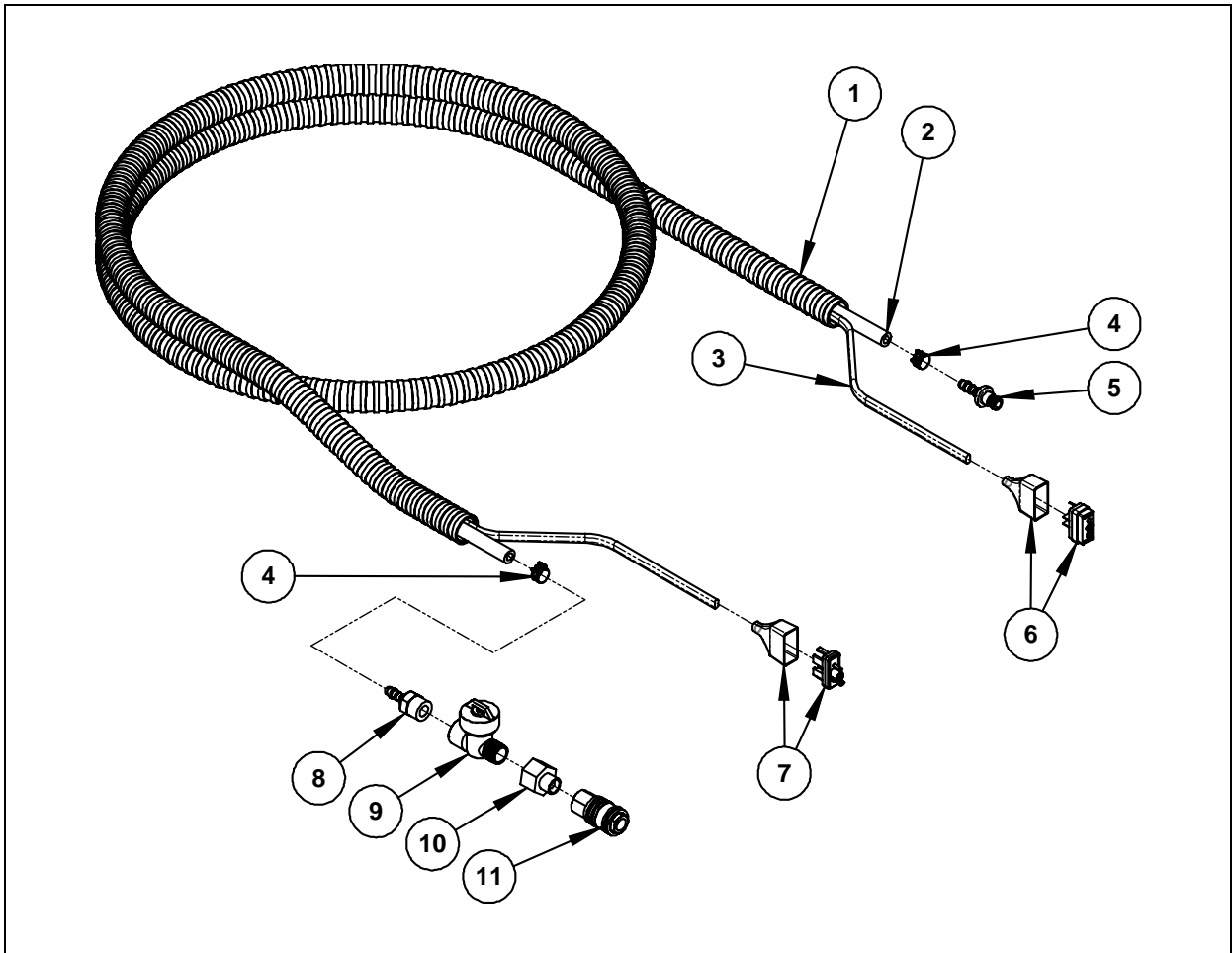


Figure 11 – Detachable Hose and Cable Assembly

ITEM	PART NO.	DESCRIPTION	QTY.
1	GE033	CONDUIT, 20 mm, NYLON	1 ¹
2	MT001	HOSE, 6 mm, TYPE S	1 ¹
3	GE012	CABLE, 2 CORE, RED/BLACK	1 ¹
4	NH003	HOSE CLIP, 6 mm, COBRA	2
5	AL012	HOSE CONNECTOR, PLUG, 6 mm	1
6	ST009	SOCKET, 2 PIN, IN-LINE	1 ²
7	ST008	PLUG, 2 PIN (MALE), IN-LINE	1 ²
8	AL011	HOSE CONNECTOR, 6 mm x 3/8 BSP	1
9	ZT002	VALVE, NON DRIP	1
10	AL007	ADAPTER, 1/4" x 3/8" MF	1
11	AL001	SOCKET, QUICK RELEASE, 1/4" BSPT F	1

¹ Various length options are available refer to section 1. Please state length required when ordering spare parts.

² May be fitted with upgraded connector refer to section 4.3

4.3 Power Wire Connector

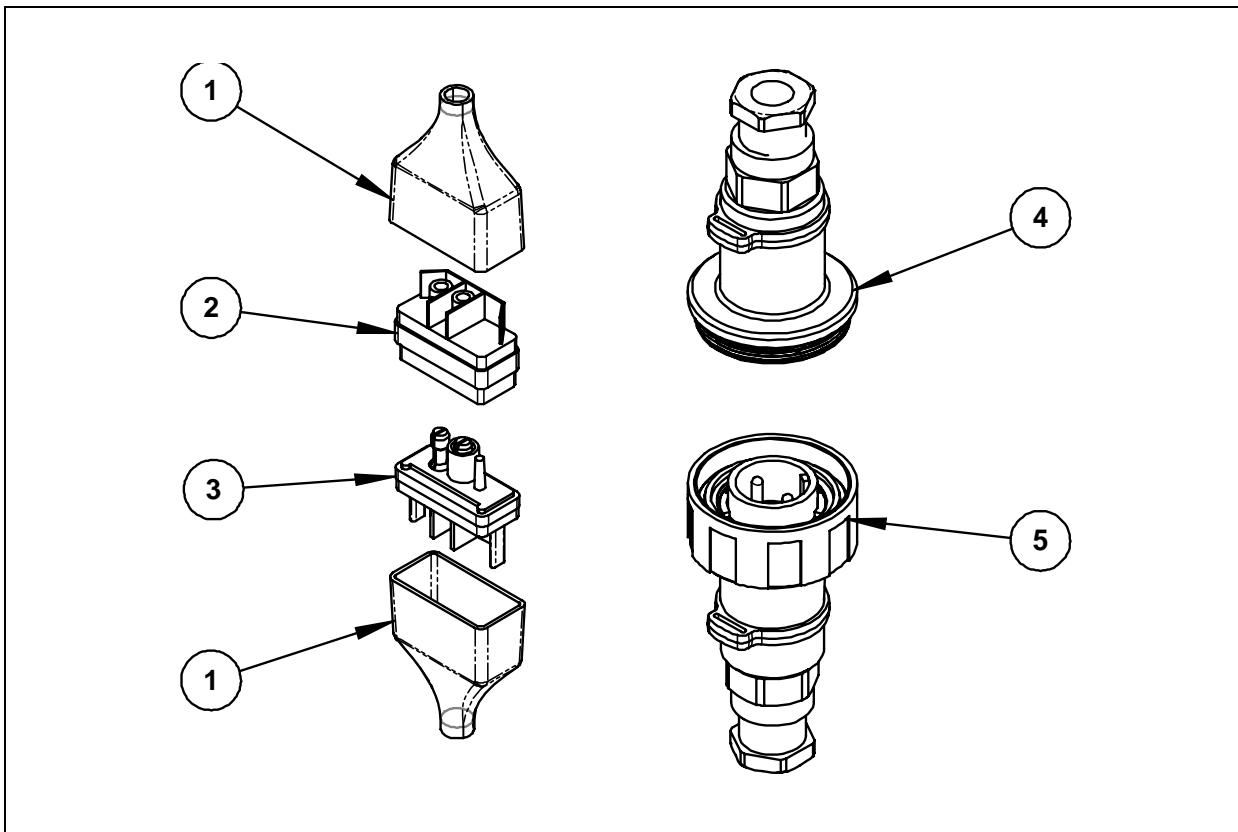


Figure 12 – Power Wire Connector

ITEM	PART NO.	DESCRIPTION
STANDARD CONNECTOR		
1	ST028	BOOT, RUBBER
2	ST021	SOCKET, 2 PIN
3	ST020	PLUG, 2 PIN
UPGRADE CONNECTOR		
4	8844	SOCKET, INLINE, IP68, 2 WAY, 10A
5	8843	PLUG, INLINE, IP68, 2 WAY, 10A

Appendix A Conversion Factors

1 yard	=	3 feet	=	0.91 metre
1 metre	=	39.37 inches	=	1.09 yards
1 statute mile	=	0.87 nautical mile	=	1.61 kilometres
1 nautical mile	=	1.15 statute mile	=	1.85 kilometres
1 kilometre	=	0.62 statute mile	=	0.54 nautical mile
1 statute mile	=	1760 yards	=	5280 feet
1 nautical mile	=	2027 yards	=	6081 feet
1 kilometre	=	1094 yards	=	3282 feet
1 metre/sec	=	2.237 miles per hr	=	196.9 ft/min
1 acre	=	43560 sq feet	=	4840 sq yards
1 acre	=	4047 sq metres	=	0.40 hectare
1 hectare	=	107600 sq feet	=	11955 sq yards
1 hectare	=	10000 sq metres	=	2.47 acres
1 sq mile	=	640 acres	=	259 hectares
1 sq kilometre	=	247 acres	=	100 hectares
1 US gal	=	0.83 Imp gal	=	3.78 litres
1 Imp gal	=	1.20 US gals	=	4.54 litres
1 litre	=	0.26 US gal	=	0.22 Imp gal
1 US pint	=	16 US fl ounces	=	0.47 litres
1 Imp pint	=	20 Imp fl ounces	=	0.57 litre
1 US gal/acre	=	8 US pint/acre	=	9.45 litres/hectare
1 Imp gal/acre	=	8 Imp pints/acre	=	11.35 litres/hectare
1 litre/hectare	=	0.11 US gal/acre	=	0.081 Imp gal/acre
1 pound	=	16 ounces	=	0.45 kilogram
1 kilogram	=	2.20 pounds	=	35.3 ounces
1 ounce	=	28.35 grams		
1 pound/sq inch	=	0.068 atmosphere	=	0.067 bar
1 atmosphere	=	14.70 pounds/sq in	=	1.01 bar
1 bar	=	14.50 pounds/sq in	=	0.98 atmosphere
1 kilopascal	=	0.01 bar	=	0.145 pounds/sq in

Copyright © Micron Sprayers Ltd. December 2015.

General Enquiries:

Micron Group
Bromyard Industrial Estate,
Bromyard,
Herefordshire,
HR7 4HS, U.K.

T +44 (0)1885 482397

F +44 (0)1885 483043

E enquiries@micron.co.uk

Australasia, Asia and America Enquiries:

Micron Group
Box 1246,
Berri 5343,
South Australia

T +61 (0)8 8582 4077

E enquiries@enviromist.com.au