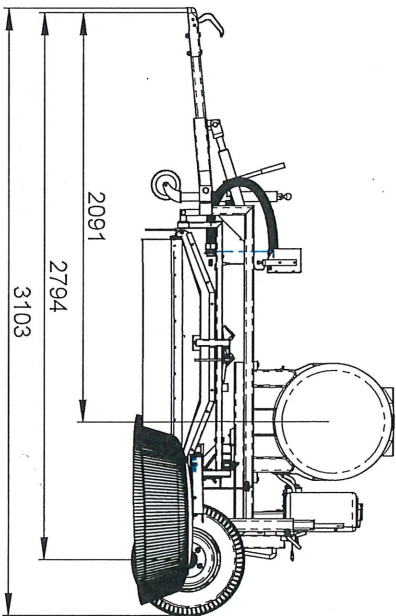
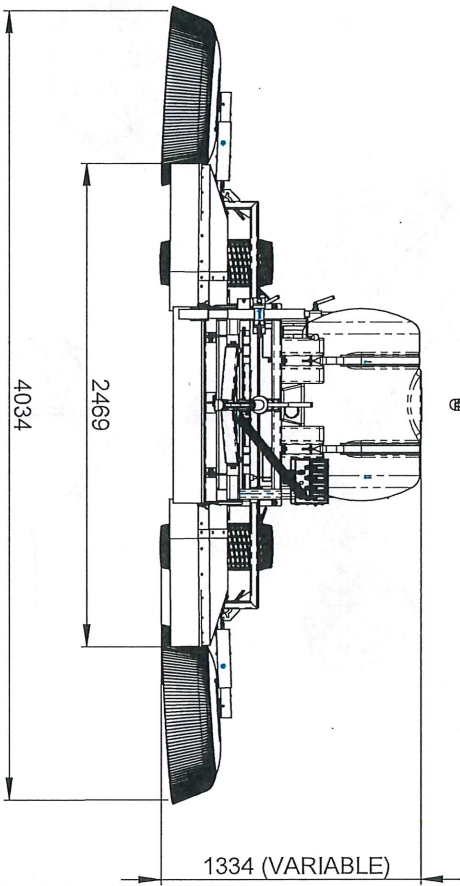
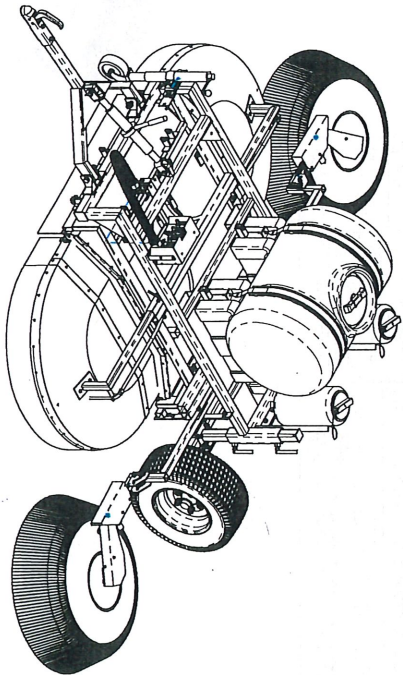
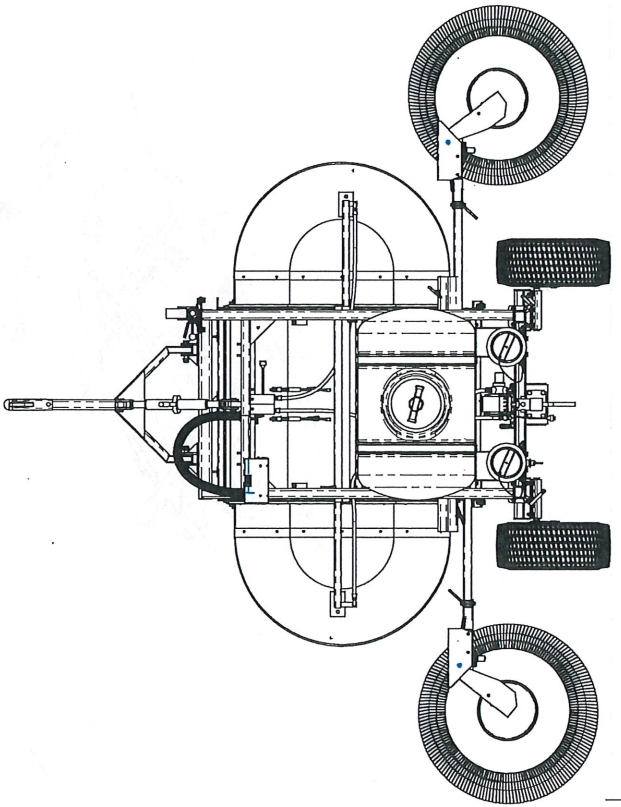


ZONE		REV.		DESCRIPTION		DATE		AMENDED BY		CHECKED BY	
REVISIONS											

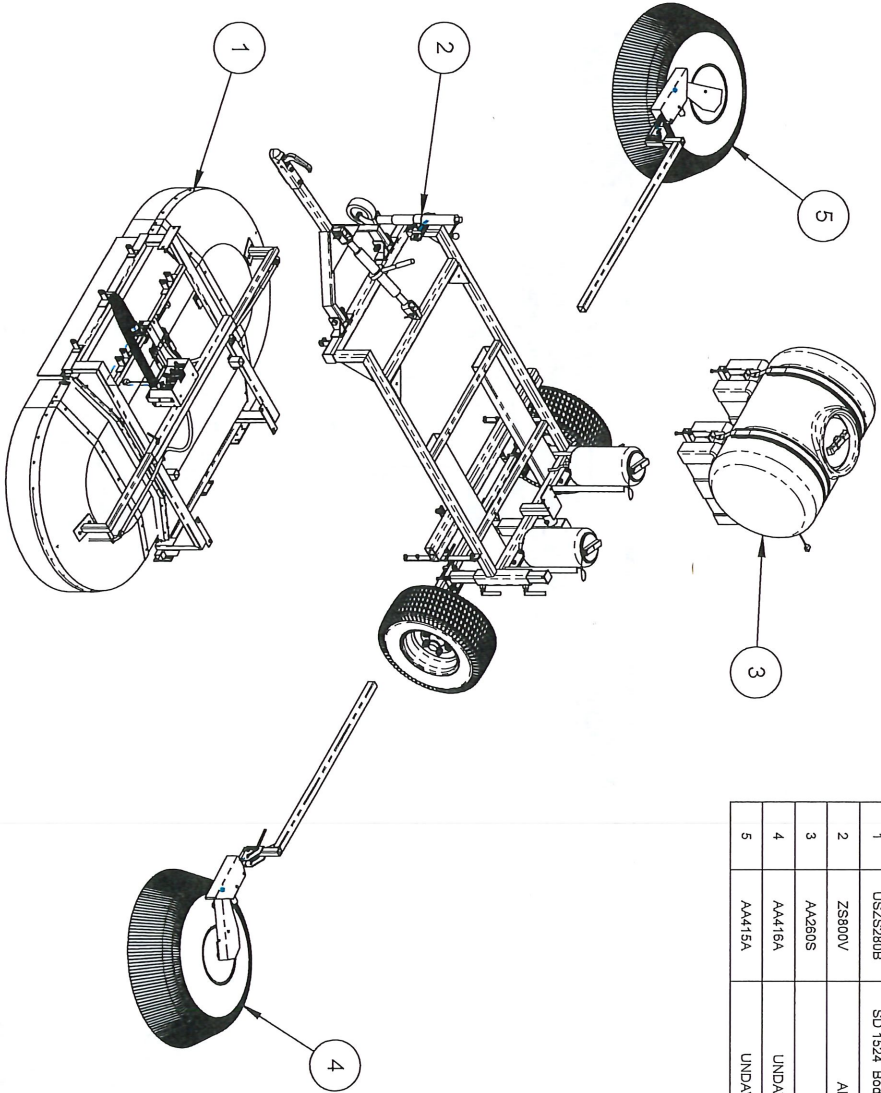


UNDESIGNED TOLERANCES:	DEBUR AND BREAK SHARP EDGES
0.00.....±0.1	DIMENSIONS IN MILLIMETERS UNLESS OTHERWISE STATED
0.100.....±0.02	DO NOT SCALE
THIRD ANGLE PROJECTION	
DRAWN BY:	DATE:
M. BOTTFIELD	13/03/2018
MATERIAL:	
FINISH:	


MICRON GROUP
 BROMYARD INDUSTRIAL ESTATE, BROMYARD, HEREFORDSHIRE, HR7 4HS
 TEL: 01885 482387 FAX: 01885 483043

TITLE: SD1524 VINEYARD SPECIAL TOWED COMPLETE US GAL.

WEIGHT: 614588.8	PART NO. USAA905	REVISION 1
	PROJECT ENVIRONMENT	
	SCALE: 1:25	SIZE: A3
		SHEET 1 OF 2



ITEM	PART No.	DESCRIPTION	QTY.
1	USZS280B	SD 1524 Body Comp 4 way c box c/w 4.0m(13')hose & solenoids	1
2	ZS800V	ADJUSTABLE CARRY FRAME, SD3049'	1
3	AA280S	TANK SYSTEM 200L ALL MODELS	1
4	AA416A	UNDAVINA XT 600 LH FOR VINEYARD SPECIAL	1
5	AA415A	UNDAVINA XT 600 RH FOR VINEYARD SPECIAL	1

UNSPECIFIED TOLERANCES:
 0.0.....±0.5
 0.00.....±0.1
 0.000.....±0.02

DEBUR AND BREAK SHARP EDGES
 DIMENSIONS IN MILLIMETERS UNLESS OTHERWISE STATED
 DO NOT SCALE

THIRD ANGLE PROJECTION

DRAWN BY: M BOTFIELD
 DATE: 13/03/2018

MATERIAL:

FINISH:

WEIGHT: 614888.8

MICRON GROUP
 BROMYARD INDUSTRIAL ESTATE, BROMYARD, HEREFORDSHIRE, HR7 4HS
 TEL: 01885 482397 FAX: 01885 483943

TITLE: SD1524 VINEYARD SPECIAL TOWED COMPLETE US GAL.

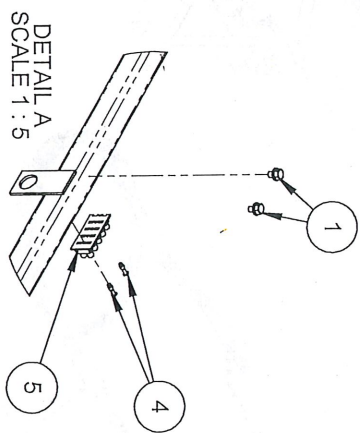
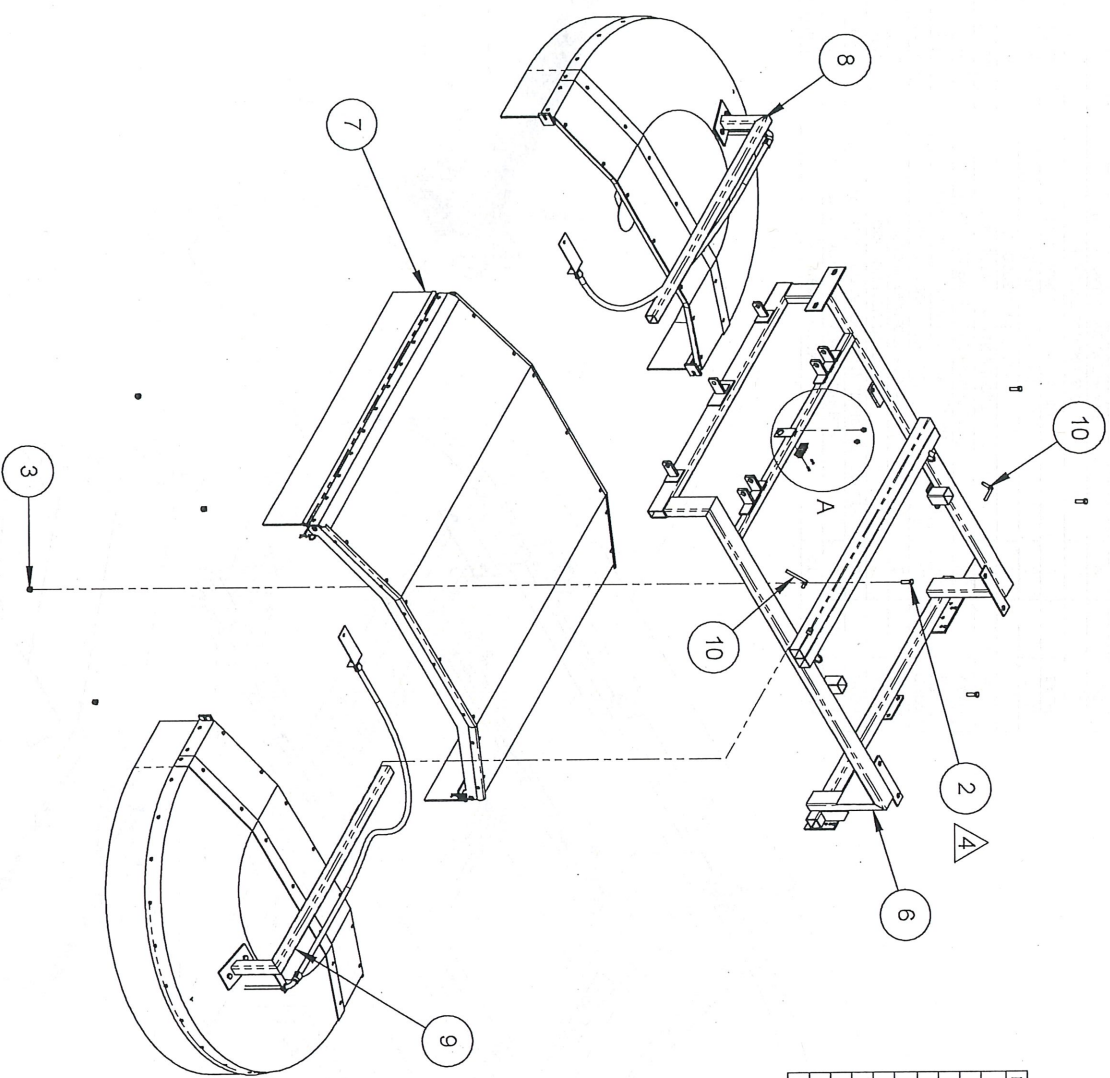
PART NO: USAA905
 PROJECT: ENVIRONMENTAL

SCALE: 1:25 SIZE: A3 SHEET 2 OF 2

REVISION: 1

REVISIONS					
ZONE	REV.	DESCRIPTION	DATE	AMENDED BY	CHECKED BY
	3	11331 moved to subassembly of ZS252 and ZS253	26/03/2016	MAB	
	4	longer Bolt UF019 replaces UF018	17/07/2019	MAB	

ITEM	PART No.	DESCRIPTION	Default Qty.
1	9106	HEX HEAD FLANGE SCREW (DIN 6921), M6x10, 8.8, ZN PLT	2
2	UF019	BOLT, 3/8" BSW, X 1 1/4"	4
3	UF029	NUT, 3/8 BSW, NYLOC, BZP	4
4	UF046	POP RIVET, 7/32x 4-8	2
5	ZE906	CONNECTOR BLOCK 5 WAY	1
6	ZS250	SHIELD SUPPORT FRAME	1
7	ZS251	CENTRE SECTION FOR SD 1524	1
8	ZS252	R/H WING FOR SD1524	1
9	ZS253	L/H WING ASSEMBLY FOR 1524	1
10	ZL015	CLAMP BOLT	2



UNSPECIFIED TOLERANCES: 0.1mm ±0.5 DIMENSIONS IN MILLIMETERS UNLESS OTHERWISE STATED 0.005" ±0.02 DO NOT SCALE

THIRD ANGLE PROJECTION

DRAWN BY: M BOTFIELD DATE: 26/07/2017

MICRON GROUP
 BROMYARD INDUSTRIAL ESTATE, BROMYARD, HEREFORDSHIRE, HR7 4HS
 TEL: 01895 482397 FAX: 01895 483043

TITLE: SPRAYDOME 1524 DOME ASSEMBLY

PART NO. 11324

PROJECT 1524

SCALE: 1:15

SIZE: A3

SHEET 1 OF 1

REVISION 4

UNSPECIFIED TOLERANCES: 0.1mm ±0.5 DIMENSIONS IN MILLIMETERS UNLESS OTHERWISE STATED 0.005" ±0.02 DO NOT SCALE

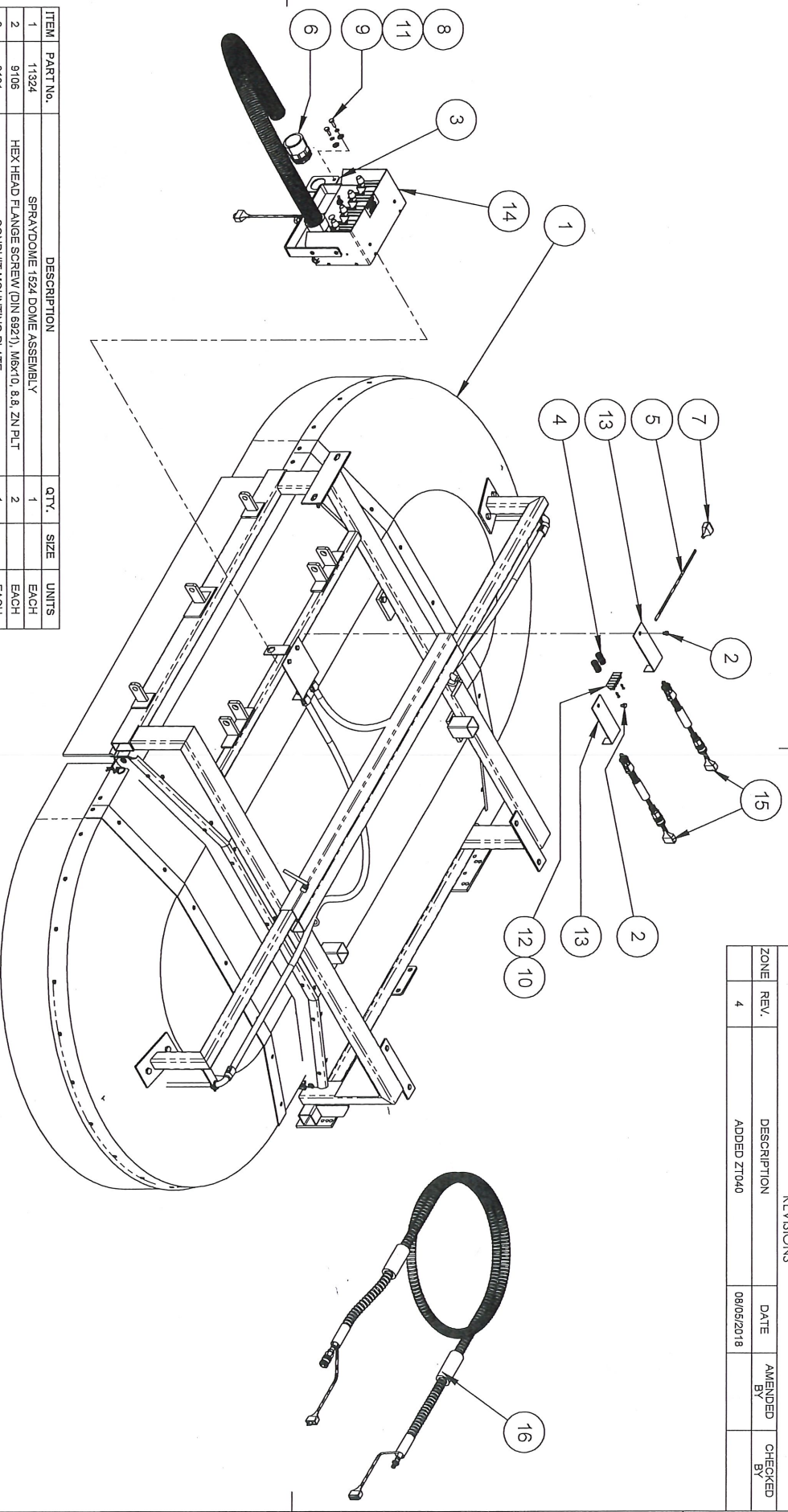
THIRD ANGLE PROJECTION

DRAWN BY: M BOTFIELD DATE: 26/07/2017

FINISH:

WEIGHT: 81038.6

REVISIONS					
ZONE	REV.	DESCRIPTION	DATE	AMENDED BY	CHECKED BY
	4	ADDED ZT040	08/05/2018		



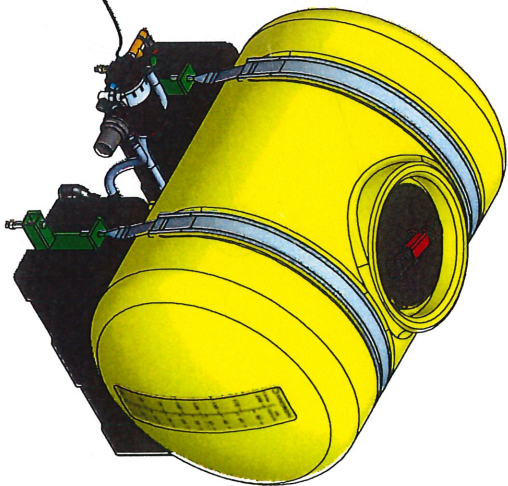
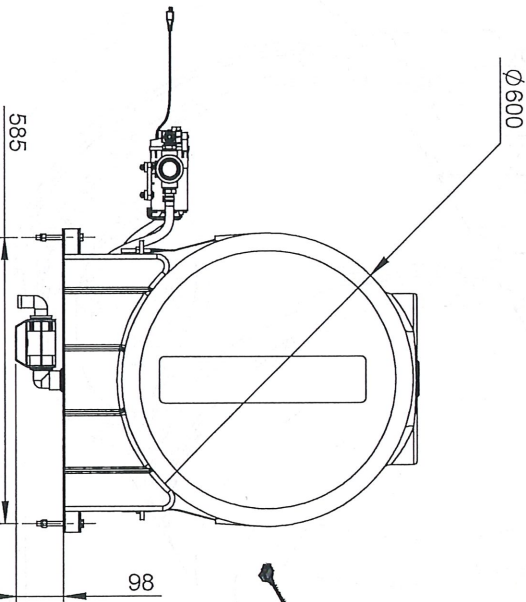
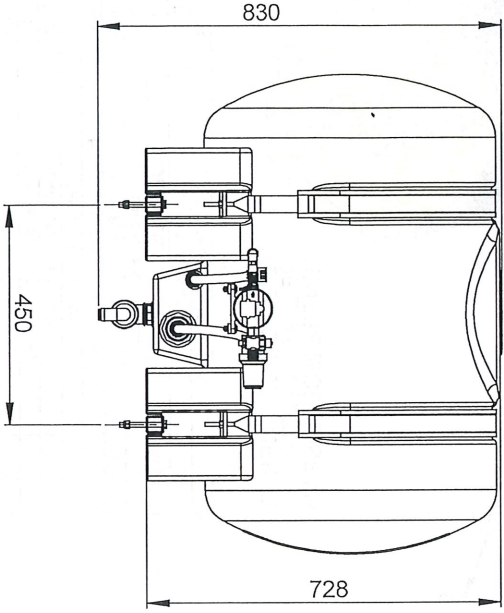
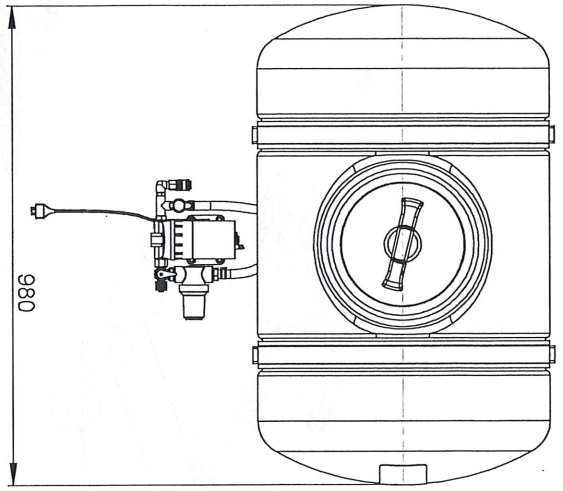
ITEM	PART No.	DESCRIPTION	QTY.	SIZE	UNITS
1	11324	SPRAYDOME 1524 DOME ASSEMBLY	1		EACH
2	9106	HEX HEAD FLANGE SCREW (QIN 5921) M6x10, 8.8, ZN PLT	2		EACH
3	9191	CONDUIT MOUNTING PLATE	1		EACH
4	AL024	UNION CONNECTOR 6 mm	2		EACH
5	GE012	CABLE 2 CORE, RED/BLACK	1	0.250	METRES
6	GE014	ADAPTABLE M40 STRAIGHT FITTING	1		EACH
7	ST009	SOCKET, 2 PIN, IN-LINE, COMPLETE	1		EACH
8	UF004	Washer, Flat, 1/4" x 5/8 x 1/8g, ZP	2		EACH
9	UF016	SET SCREW, 1/4" BSW x 3/4"	2		EACH
10	UF046	POP RIVET, 73AS 4-8	2		EACH
11	UF083	Spring, Washer, 1/4x1/8x1/16 ZP	2		EACH
12	ZE006	CONNECTOR BLOCK 5 WAY	1		EACH
13	ZS284	16 mm CONDUIT MOUNT PLATE	2		EACH
14	USZS280	CONTROL BOX, 4 WAY	1		EACH
15	ZS675	SPRAYDOME QUICK RELEASE CONNECTION	2		EACH
16	ZT040	DETACHABLE HOSE AND CABLE ASSEMBLY	1		EACH

UNFINISHED: TOLERANCES: 0.0.....+0.5 0.00.....+0.02 0.000.....+0.02		DEBUR AND BREAK SHARP EDGES DIMENSIONS IN MILLIMETERS UNLESS OTHERWISE STATED DO NOT SCALE	
THIRD ANGLE PROJECTION		DATE: 05/10/2017	
DRAWN BY: M BOTTFIELD		DATE:	
MATERIAL:		TITLE: SD 1524 BODY CW 4 WAY CONTROL BOX	
FINISH:		PART NO.: USZS280B	
WEIGHT: 969324.1		PROJECT: ENV/ROMIST	
SCALE: 1:10		SIZE: A3	
		SHEET: 1 OF 1	
		REVISION: 4	



BROMYARD INDUSTRIAL ESTATE, BROMYARD, HEREFORDSHIRE, HR7 4HS
 TEL: 01885 462397 FAX: 01885 489043

REV. NO.		DESCRIPTION	DATE	AMENDED BY	CHECKED BY
2		PARTS REPLACED - BULKHEAD AND ELBOW	07/11/2018	MAB	
3		REDRAWN	21/01/2019	MAB	
4		NEW LABEL FOR USGAL.	26/02/2019	MAB	
5		B1047 REPLACED BY 8282	14/03/2019	DJD	
6		UF032 REPLACED BY UF029	29/03/2019	DJD	
A5, B4	7	TANK DRAIN COMPONENTS CHANGED	08/01/2020	MAB	



UNSPECIFIED TOLERANCES
 0.0.....+0.5
 0.0.....+0.1
 0.00.....+0.02
DO NOT SCALE

DESIRE AND BREAK SHARP EDGES
 DIMENSIONS IN MILLIMETERS
 UNLESS OTHERWISE STATED

THIRD ANGLE PROJECTION
 DRAWN BY: M BOTFIELD
 DATE: 12/03/2018

MATERIAL:
 FINISH:
 WEIGHT: 52297.55

MICRON GROUP
 BROWNARD INDUSTRIAL ESTATE, BROWNARD, HEREFORDSHIRE HR7 4HS
 TEL: 01885 482397 FAX: 01885 483043

TITLE: TANK SYSTEM 2001 FOR ORCHARD AND VINEYARD SPECIALS

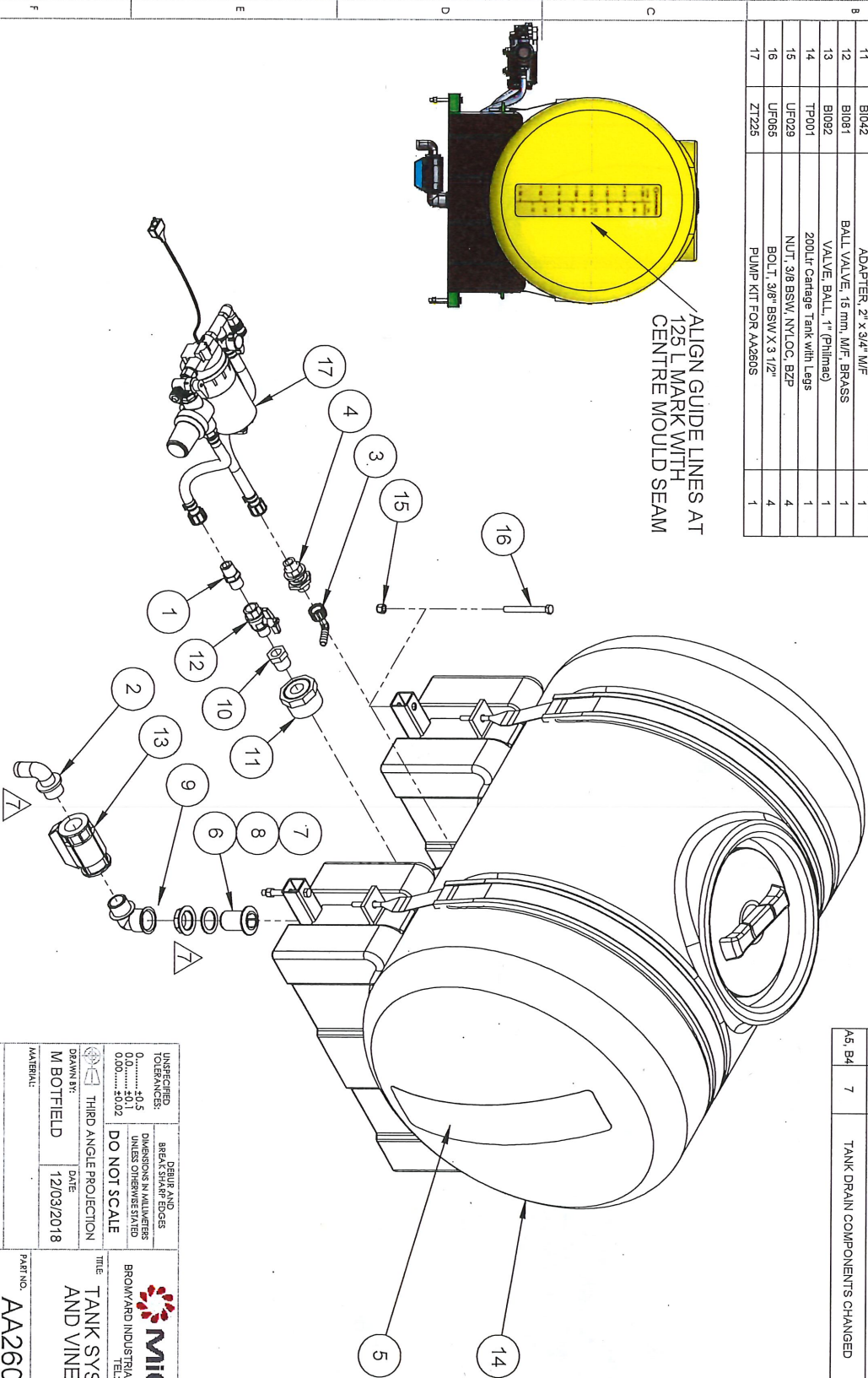
PART NO. AA260S
 PROJECT ENVIRONMENT

SCALE: 1:10 SIZE: A3 SHEET 1 OF 2

REVISION 7

ITEM	PART No.	DESCRIPTION	QTY.
1	7/44	ADAPTER 1/2" BSP M X 1/2"	1
2	7/35	ELBOW, HOSE BARB, 1" BSP M X 25MM, 90° FLANGED	1
3	11/06	ELBOW, 90°, 1/2" BSP TO 12 mm BARB, BLACK	1
4	11/49	CONNECTOR, BULKHEAD, 1/2" BSP M	1
5	12/03	LABEL, 200L TANK, US GAL	1
6	12/93	TANK OUTLET 1" (G)	1
7	12/94	BACKNUT 1" (G)	1
8	12/95	GASKET, 33X45X3	1
9	12/99	ELBOW, 1" BSP M/F, PLASTIC, BLACK	1
10	BI006	ADAPTER, 3/4" x 1/2" M/F	1
11	BI042	ADAPTER, 2" x 3/4" M/F	1
12	BI081	BALL VALVE, 15 mm, M/F, BRASS	1
13	BI092	VALVE, BALL, 1" (Philinae)	1
14	TP001	200Lr Carriage Tank with Legs	1
15	UF029	NUT, 3/8" BSW, NYLOC, RZP	4
16	UF065	BOLT, 3/8" BSW X 3 1/2"	4
17	Z1225	PUMP KIT FOR AA260S	1

ALIGN GUIDE LINES AT 125 L MARK WITH CENTRE MOULD SEAM



ZONE	REV.	DESCRIPTION	DATE	AMENDED BY	CHECKED BY
2		PARTS REPLACED - BULKHEAD AND ELBOW	07/11/2018	MAB	
3		REDRAWN	21/01/2019	MAB	
4		NEW LABEL FOR US GAL	28/02/2019	MAB	
5		BI047 REPLACED BY 8282	14/03/2019	DJD	
6		UF032 REPLACED BY UF029	29/03/2019	DJD	
A5, B4	7	TANK DRAIN COMPONENTS CHANGED	08/01/2020	MAB	

UNSPECIFIED TOLERANCES: 0.....±0.5 0.00.....±0.01 0.00.....±0.02

DEBUR AND BREAK SHARP EDGES DIMENSIONS IN MILLIMETERS UNLESS OTHERWISE STATED DO NOT SCALE

THIRD ANGLE PROJECTION

DRAWN BY: M BOTFIELD DATE: 12/03/2018

MATERIAL: FINISH: WEIGHT: 52297.55

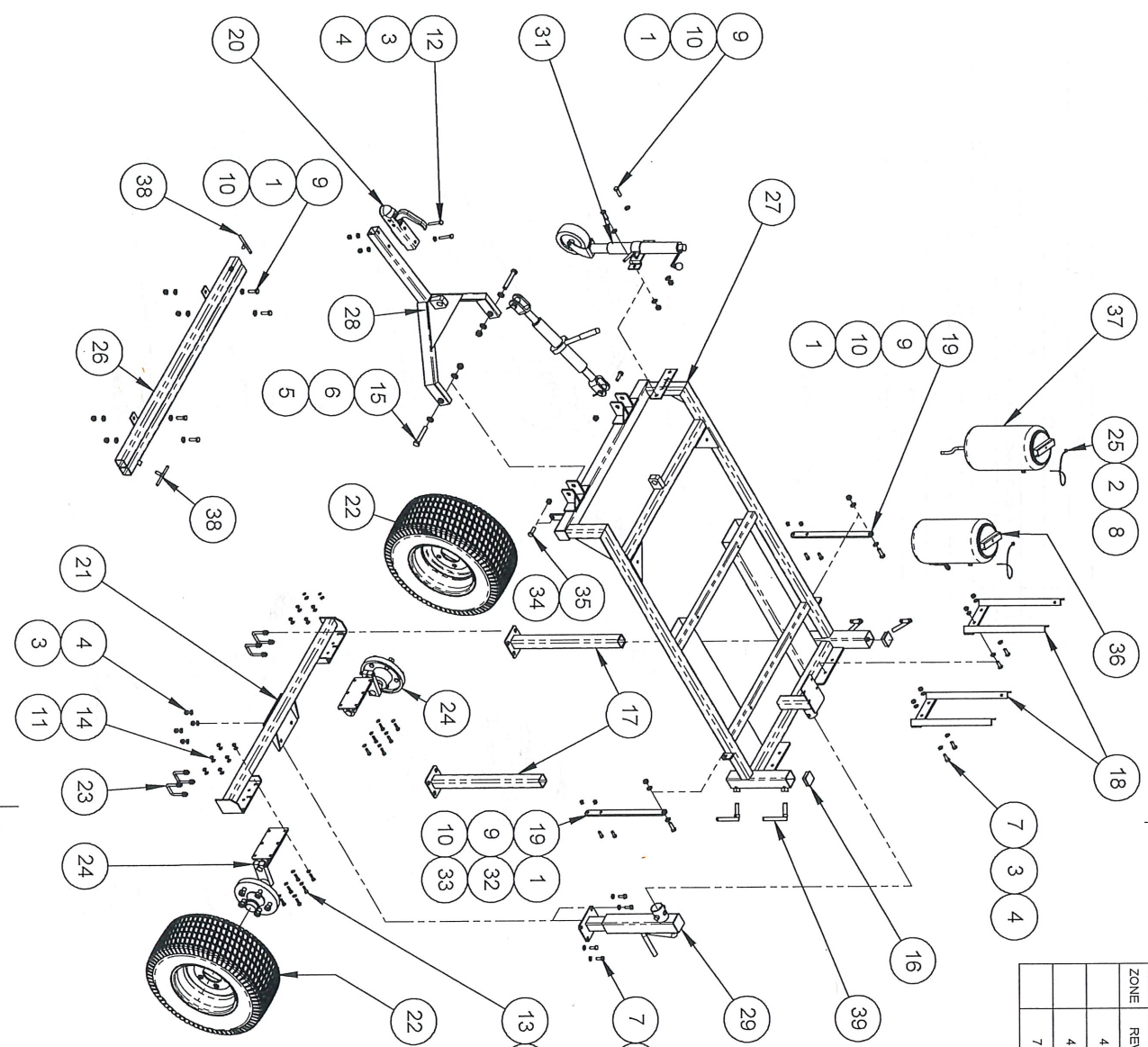
PART NO. AA260S PROJECT ENVIRONMENT SCALE: 1:7 SIZE: A3 SHEET 2 OF 2

TITLE: TANK SYSTEM 200L FOR ORCHARD AND VINEYARD SPECIALS

MICRON GROUP
BROWYARD INDUSTRIAL ESTATE, BROWYARD, HEREFORDSHIRE, HR7 4HS
TEL: 01885 482397 FAX: 01885 483043

REVISION: 7

ZONE	REV.	DESCRIPTION	DATE	APPROVED
4	4	Slide Tube Changed to 11401 (previously 11253)	26/07/2017	
4	4	Slide Tube Changed to 11401 (previously 11253)	26/07/2017	
7	7	Jockey Wheel Mnt screws lengthened to 40mm	27/09/2018	



ITEM	PART No.	DESCRIPTION	Default Qty.
1	5177	NUT, M12 NYLOC	8
2	5650	RIVET 3/16 x 5/8"	2
3	5973	WASHER, M10 FLAT, SIS	28
4	5975	NUT, M10 NYLOC, SIS	10
5	5994	WASHER (FORM 'A), M16 FLAT, SIS	4
6	5995	NUT, M16 NYLOC, A4 SIS	2
7	6293	SCREW, M10x30, HEX HD.	8
8	6512	WASHER M5x12x1 A2 SIS	2
9	6565	SCREW M12x40	8
10	6567	WASHER, M12 FLAT	16
11	6900	WASHER, M8	24
12	6996	SCREW, M10x60	2
13	7202	SCREW M8x30	12
14	7849	NUT, M8, NYLOC, SIS	12
15	8210	BOLT, M16 x 100 HEX, HD BOLT A2 SIS	2
16	8973	INSERT 50 X 50 SQUARE	2
17	9132	VERTICAL SUPPORT WHEEL MOUNT	2
18	9135	SMALL TANK MOUNT	2
19	9139	REAR HEIGHT ADJUSTMENT ARM	2
20	10910	HITCH (50mm BALL)	1
21	11252	WHEEL MOUNT	1
22	11660	WHEEL ASSEMBLY	2
23	11261	C BOLT, M10 X 80, SS, FOR 50 X 50 RHS	4
24	11266	SUSPENSION UNIT 600KG 480 5X140	2
25	11281	LANYARD, TANK LID RETAINER	2
26	11401	SLIDE TUBES, OUTER	1
27	11635	SD3049 CARRIER FRAME	1
28	11733	BRACKET, TOW BAR, FRONT AND VINEYARD	1
29	AG001	JACK, REAR HEIGHT ADJUSTMENT	1
30	AG002	RATCHET (FRONT HEIGHT ADJUSTMENT)	1
31	ST057	JOCKEY WHEEL, 6 X 2, CW CLAMP	1
32	UF018	BOLT, 3/8" BSW, X 1"	4
33	UF029	NUT, 3/8 BSW, NYLOC, BZP	4
34	UF030	NUT, 1/2" BSW NYLOC ZC	2
35	UF037	1-2BSWX1-1-2 ZC Bolt	2
36	VE001	HAND WASH TANK, 10L	1
37	VE001R	RINSE TANK, 10L	1
38	ZS433	CLAMP BOLT 1/2" BSW	2
39	ZS434	CLAMP BOLT 5/8" x 2"	4

UNSCHEDED TOLERANCES:
 DIMENSIONS IN MILLIMETERS
 0.00.....+0.5
 0.00.....+0.1
 0.00.....+0.02
 DO NOT SCALE

THIRD ANGLE PROJECTION
 DRAWN BY: M BOTFIELD
 DATE: 22/03/2017

FINISH: WEIGHT: 317578.11

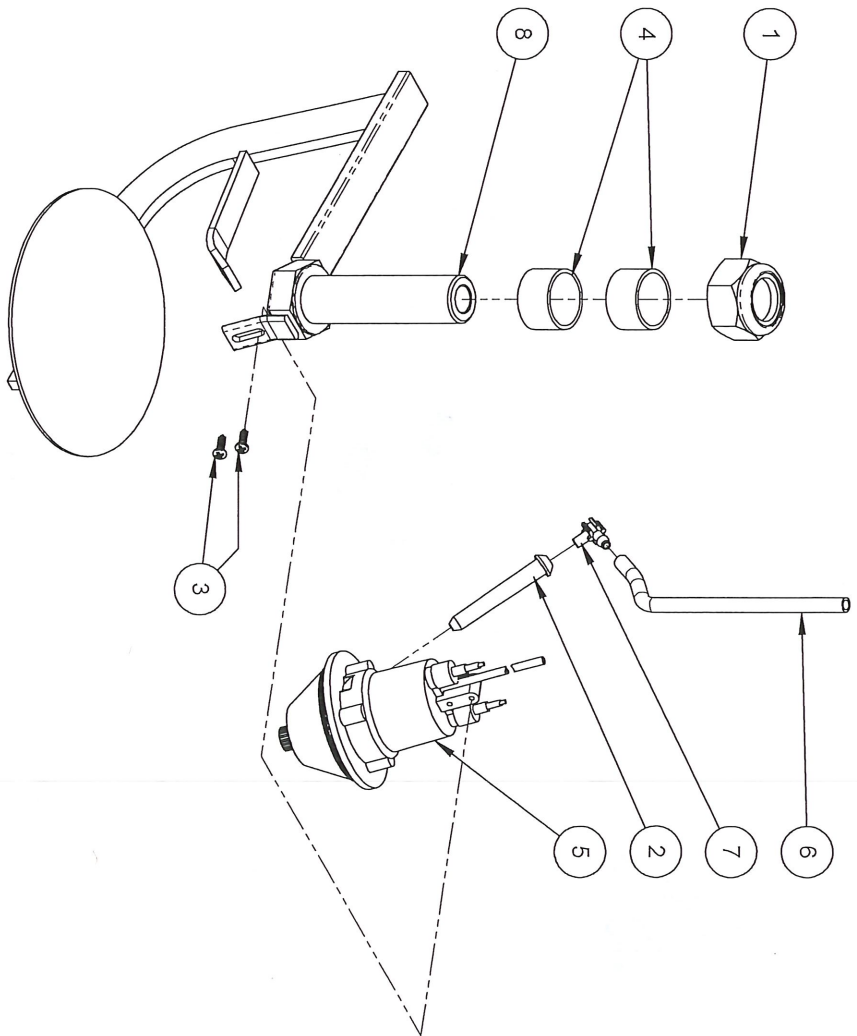
MICRON GROUP
 BROMYARD INDUSTRIAL ESTATE, BROMYARD, HEREFORDSHIRE, HR7 4HS
 TEL: 01885 482397 FAX: 01885 483043

TITLE: CARRY FRAME FIRST UK BUILD 04-2017

PART NO.: ZS800V
 PROJECT: SPRAYDOME ADJUSTABLE
 SCALE: 1:20 SIZE: A3 SHEET: 1 OF 1

REVISION: 7

REVISIONS					
ZONE	REV.	DESCRIPTION	DATE	AMENDED BY	CHECKED BY



ITEM	PART No.	DESCRIPTION	QTY.
1	7192	NUT M20 SIS	1
2	M013	FEED NOZZLE, BLUE	1
3	UF010	SCREW, SELF TAPPING, 4BA x 1/2"	2
4	ZD001	SPACER	2
5	ZD004	CDA HEAD WITH ATOMISER DISK (ULVA+)	1
6	ZD009	FEED TUBE, 6 mm	1
7	ZU023	ELBOW, EP4 (MODIFIED)	1
8	ZU034	600/900 Head Bracket	1

UNSCURED TOLERANCES: 0.00.....+0.5 0.00.....+0.1	DEBUR AND BREAK SHARP EDGES DIMENSIONS IN MILLIMETERS UNLESS OTHERWISE STATED
DO NOT SCALE	THIRD ANGLE PROJECTION
DRAWN BY: M BOTFIELD	DATE: 09/04/2018
MATERIAL:	

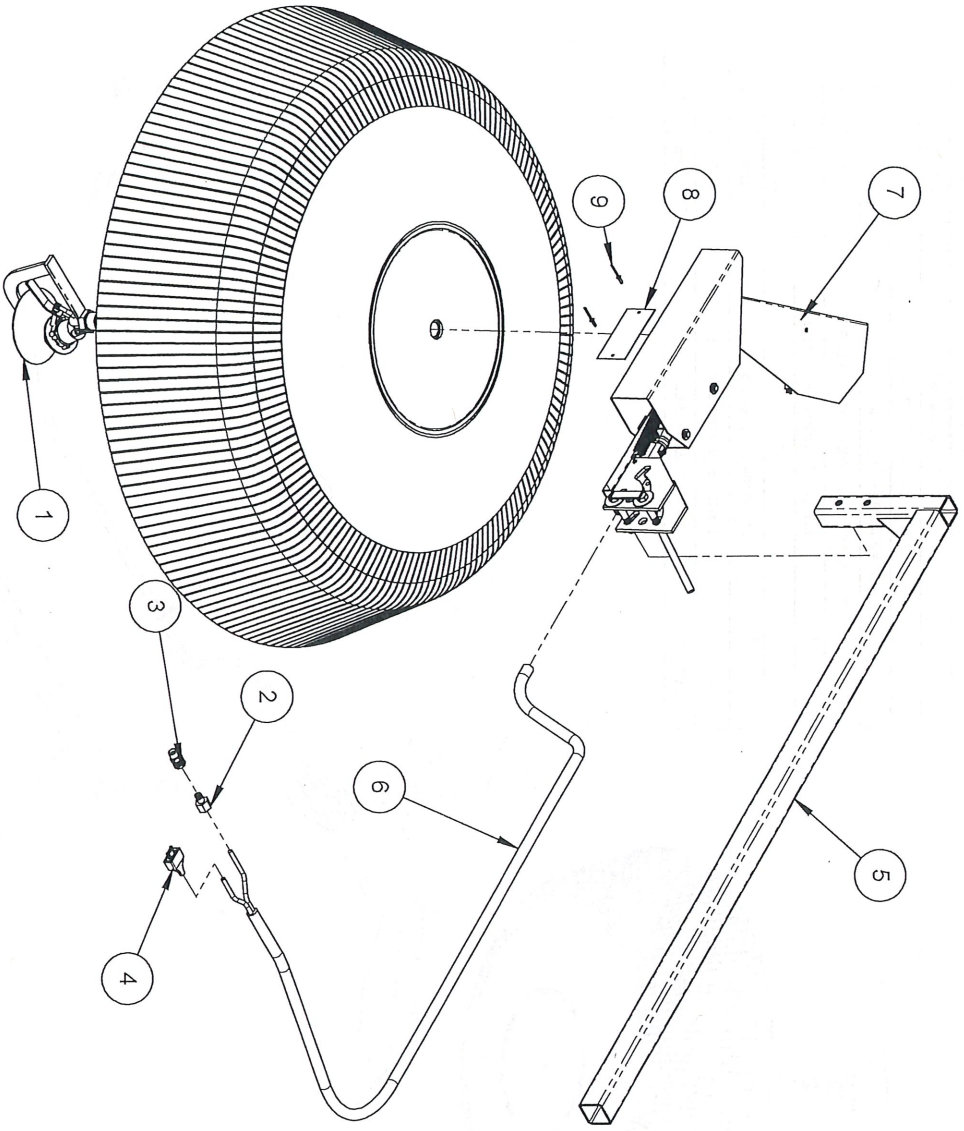

MICRON GROUP
 BROWYARD INDUSTRIAL ESTATE, BROWYARD, HEREFORDSHIRE, HR7 4HS
 TEL: 01885 482397 FAX: 01885 483943

TITLE: HEAD ASSEMBLY, CDA, 600/900
 PART NO. AA276
 PROJECT ENVIRONMENT
 SCALE: 1:2 SIZE: A3 SHEET 1 OF 1

FINISH:	PART NO.	REVISION
WEIGHT: 735.96	AA276	1
	PROJECT ENVIRONMENT	
	SCALE: 1:2	SIZE: A3
		SHEET 1 OF 1

REVISIONS					
ZONE	REV.	DESCRIPTION	DATE	AMENDED BY	CHECKED BY

ITEM	PART No.	DESCRIPTION	QTY.
1	AA276	HEAD ASSEMBLY, CDA, 900/900	1
2	AL003	Plug, 1/4" BSPT F, Internal thread	1
3	BI028	ADAPTER	1
4	ST032	PLUG, 3 PIN, IN-LINE, COMPLETE	1
5	ZS621	INNER SLIDE FOR SD1524 BREAKAWAY REAR MOUNT	1
6	ZU031_15	CONTROL HOSE AND CABLE ASSEMBLY 4.5M	1
7	ZU060S	CHASSIS ARM SET RH XT CMW SOLENOID	1
8	10403	SERIAL PLATE	1
9	5651	RIVET 3 x 12mm	2
10	ZU064	UNDAVINA 900 DISC AND SHROUD ASSEMBLY	1



MICRON GROUP
 BROWNVARD INDUSTRIAL ESTATE, BROWNVARD, HEREFORDSHIRE, HR7 4HS
 TEL: 01885 482897/FAX:01885 483043

UNDAVINA XT 900 RH FOR VINEYARD SPECIAL

UNDESIGNED TOLERANCES:
 0.0.....±0.5
 DIMENSIONS IN MILLIMETERS
 0.00.....±0.02
 UNLESS OTHERWISE STATED
DO NOT SCALE

DEBUR AND BREAK SHARP EDGES
 DIMENSIONS IN MILLIMETERS
 UNLESS OTHERWISE STATED
DO NOT SCALE

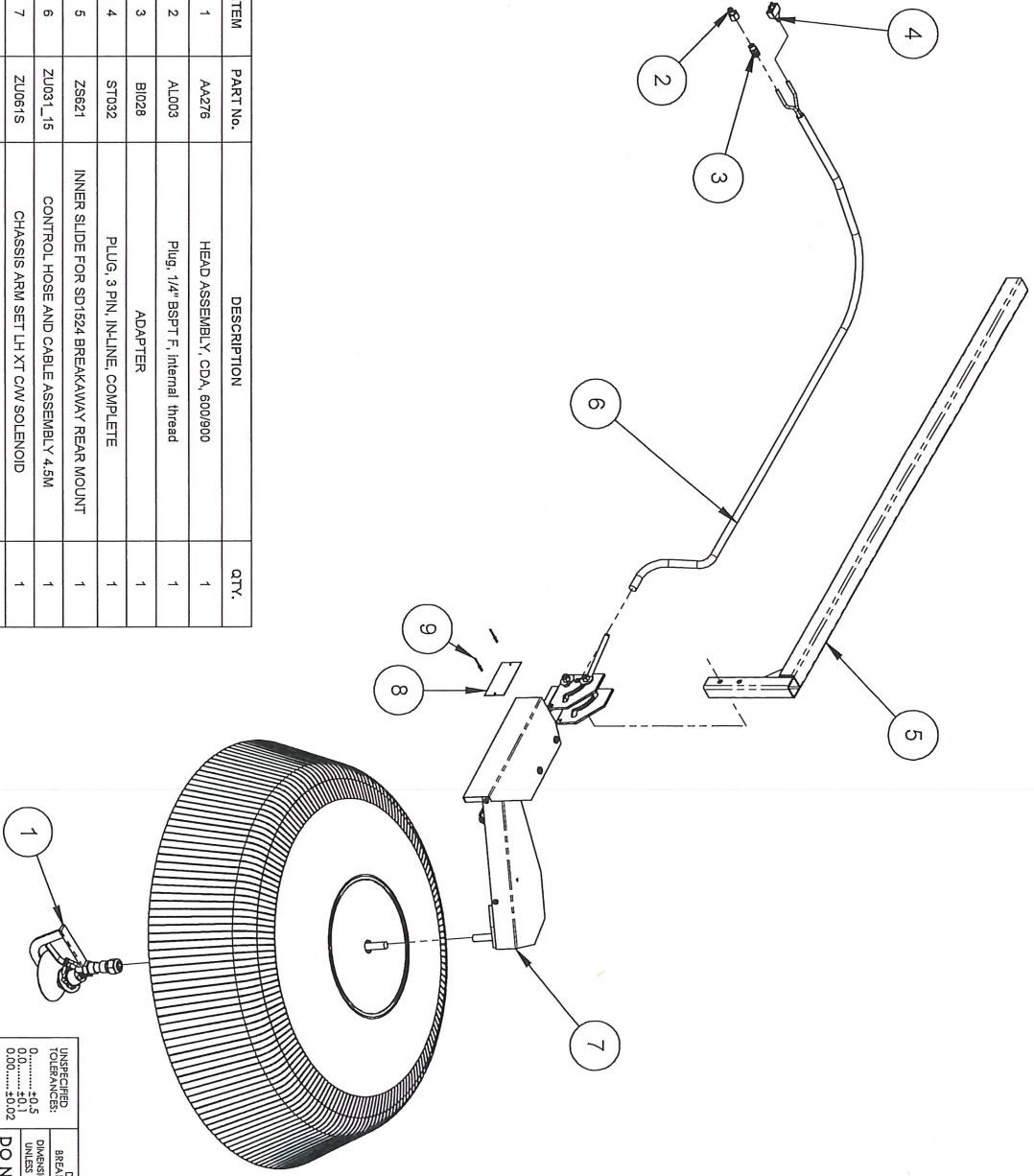
THIRD ANGLE PROJECTION
 DRAWN BY: MAB
 DATE: 11/07/2019

PART NO. AA410A
 PROJECT ENVIRONMENT
 SCALE: 1:7
 SIZE: A3
 SHEET 1 OF 1

REVISION 1

WEIGHT: 94852.52

REVISIONS			
ZONE	REV.	DESCRIPTION	DATE



ITEM	PART No.	DESCRIPTION	QTY.
1	AA276	HEAD ASSEMBLY, CDA, 600/900	1
2	AL003	Plug, 1/4" BSPT F, Internal thread	1
3	BI028	ADAPTER	1
4	ST032	PLUG, 3 PIN, IN-LINE, COMPLETE	1
5	ZS621	INNER SLIDE FOR SD1624 BREAKAWAY REAR MOUNT	1
6	ZU031_L15	CONTROL HOSE AND CABLE ASSEMBLY 4.5M	1
7	ZU061S	CHASSIS ARM SET LH XT C/W SOLENOID	1
8	10A03	SERIAL PLATE	1
9	5651	RIVET 3 x 12mm	2
10	ZU064	UNDAVINA 900 DISC AND SHROUD ASSEMBLY	1

UNDESIGNED TOLERANCES: 0.0.....+0.5 0.0.....+0.1 0.00.....+0.02	DESIGNER: M BOTFIELD	DATE: 11/07/2019
DO NOT SCALE	THIRD ANGLE PROJECTION	

MICRON GROUP
BROWYARD INDUSTRIAL ESTATE, BROWYARD, HEREFORDSHIRE, HR7 4HS
TEL: 01885 482397 FAX: 01885 483043

TITLE: UNDAVINA XT 900 LH FOR VINEYARD SPECIAL

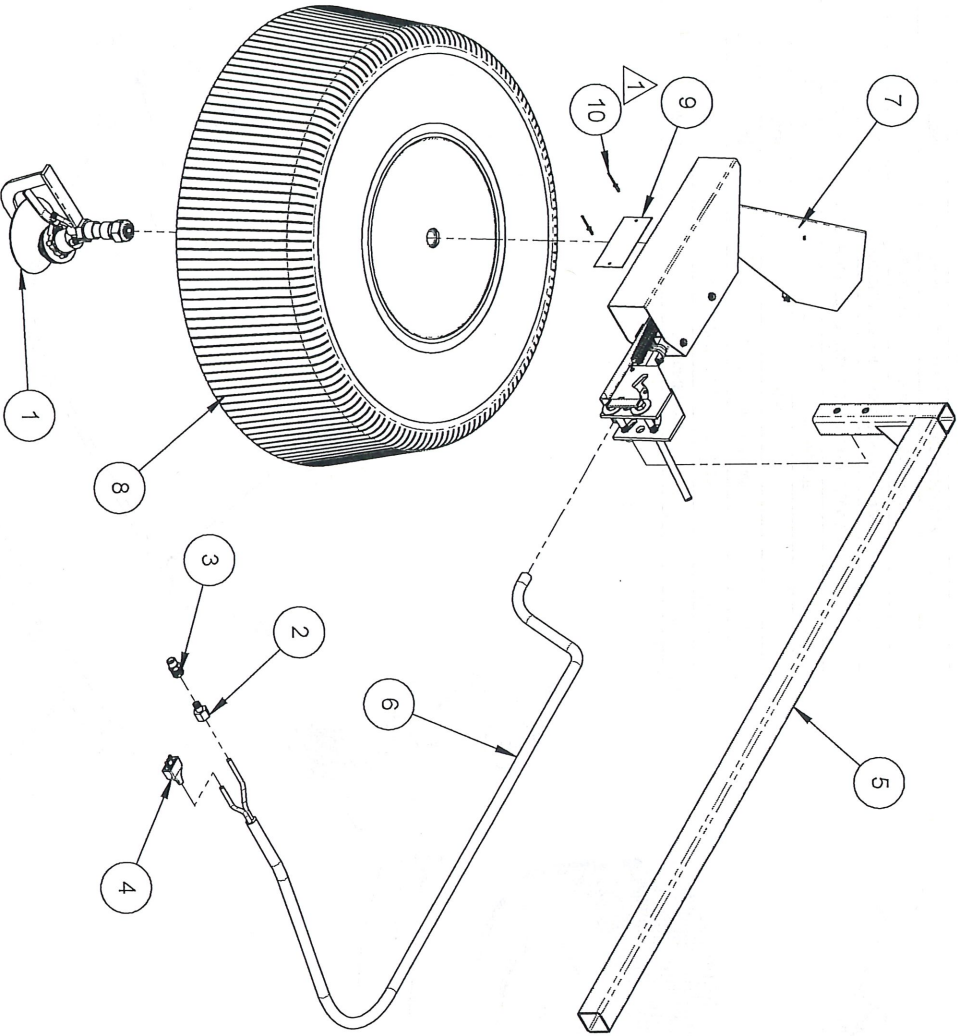
PART NO. AA411A
PROJECT ENVIRONMENTALIST

FINISH: _____
SCALE: 1:10
SIZE: A3
SHEET: 1 OF 1

REVISION: 1

REVISIONS					
ZONE	REV.	DESCRIPTION	DATE	AMENDED BY	CHECKED BY
	1	PT NO.S ADDED (PAF 342)	17/09/2018	DD	

ITEM	PART No.	DESCRIPTION	QTY.
1	AA276	HEAD ASSEMBLY, CDA, 600/600	1
2	AL003	Plug, 1/4" BSP F, Internal thread	1
3	BI028	ADAPTER	1
4	ST032	PLUG, 3 PIN, IN-LINE, COMPLETE	1
5	ZS621	INNER SLIDE FOR SD1524 BREAKAWAY REAR MOUNT	1
6	ZU031_15	CONTROL HOSE AND CABLE ASSEMBLY 4.5M	1
7	ZU060S	CHASSIS ARM SET RH XT CMV SOLENOID	1
8	ZU063	UNDAVINA 600 DISC AND SHROUD ASSEMBLY	1
9	10403	SERIAL PLATE	1
10	5661	RIVET 3 x 12mm	2



UNRESERVED TOLERANCES:
 0.00 +0.5
 0.00 +0.1
 0.00 +0.02

DEBUR AND BREAK SHARP EDGES
 DIMENSIONS IN MILLIMETERS
 UNLESS OTHERWISE STATED
DO NOT SCALE

THIRD ANGLE PROJECTION

DRAWN BY: MAB
 DATE: 14/03/2018

MICRON GROUP
 BROWNVARD INDUS TRIAL ESTATE, BROWNVARD, HEREFORDSHIRE, HR7 4HS
 TEL: 01885 482397 FAX: 01885 483043

TITLE: UNDAVINA XT 600 RH FOR VINEYARD SPECIAL

PART NO. AA415A
 PROJECT ENVIROMIST

REVISION 1

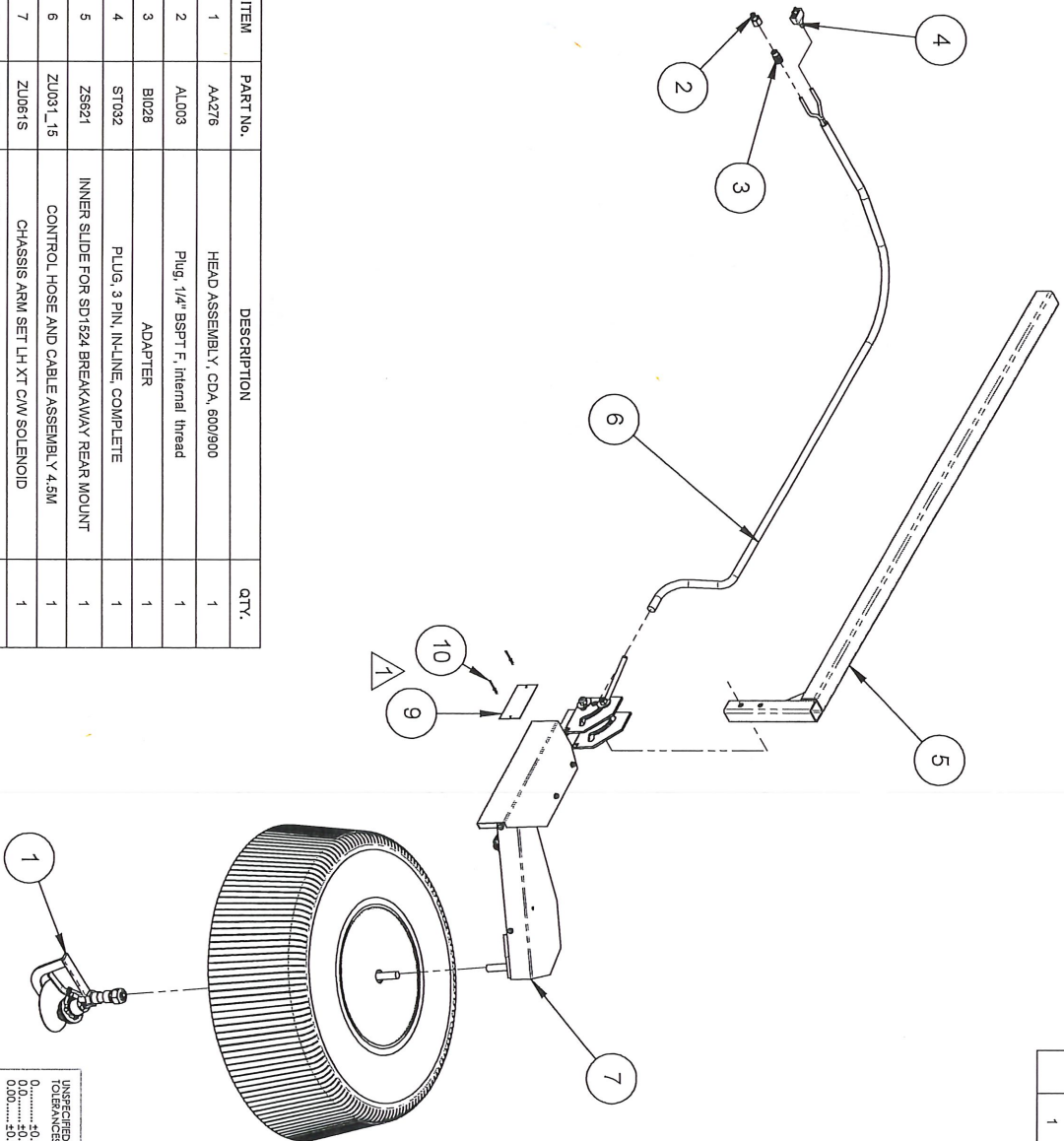
WEIGHT: 60180.24

SCALE: 1:7

SIZE: A3

SHEET 1 OF 1

REVISIONS					
ZONE	REV.	DESCRIPTION	DATE	AMENDED BY	CHECKED BY
	1	PT NOS ADDED (PAF 342)	17/09/2018	DD	

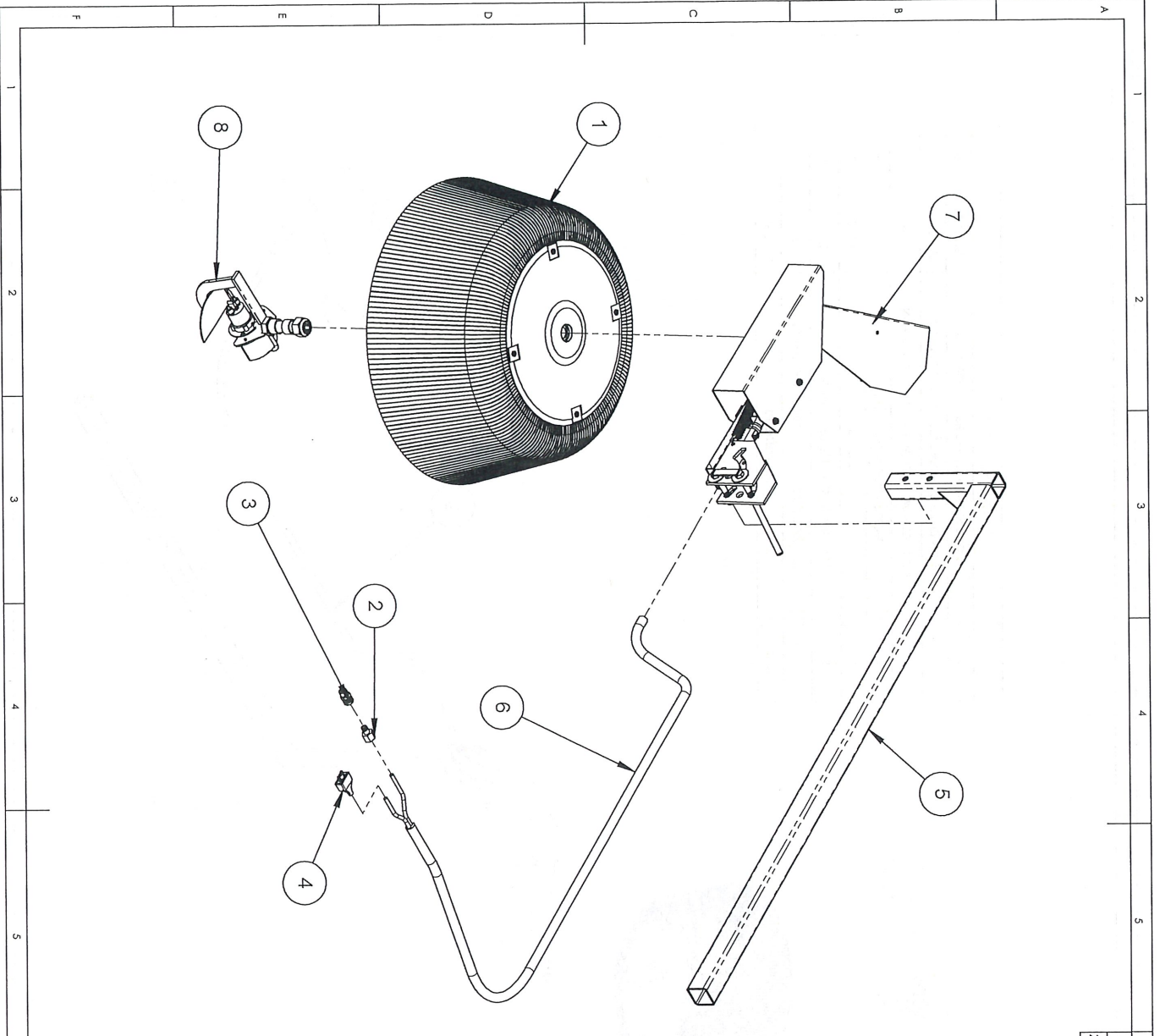


ITEM	PART No.	DESCRIPTION	QTY.
1	AA276	HEAD ASSEMBLY, CDA, 600/900	1
2	AL003	Plug, 1/4" BSPT F, Internal thread	1
3	BI028	ADAPTER	1
4	ST092	PLUG, 3 PIN, IN-LINE, COMPLETE	1
5	ZS621	INNER SLIDE FOR SD1524 BREAKAWAY REAR MOUNT	1
6	ZU031_15	CONTROL HOSE AND CABLE ASSEMBLY 4.5M	1
7	ZU061S	CHASSIS ARM SET LH XT C/W SOLENOID	1
8	ZU063	UNDAVINA 600 DISC AND SHROUD ASSEMBLY	1
9	10403	SERIAL PLATE	1
10	5651	RIVET 3 x 12mm	2

UNSPECIFIED TOLERANCES:	BREAK SHARP EDGES
0.....±0.5	DIMENSIONS IN MILLIMETERS
0.00.....±0.1	UNLESS OTHERWISE STATED
0.00.....±0.02	
DO NOT SCALE	
THIRD ANGLE PROJECTION	
DRAWN BY:	DATE:
M BOTTFIELD	14/03/2018
MATERIAL:	

BROWYARD INDUSTRIAL ESTATE, BROWYARD, HEREFORDSHIRE, HR7 4HS TEL: 01865 482397 FAX: 01865 483043	
TITLE:	UNDAVINA XT 600 LH FOR VINEYARD SPECIAL
PART NO.:	AA416A
PROJECT:	ENVIRONMENT
SCALE:	1:10
SIZE:	A3
SHEET:	1 OF 1
REVISION:	1

WEIGHT:	60186.77
---------	----------

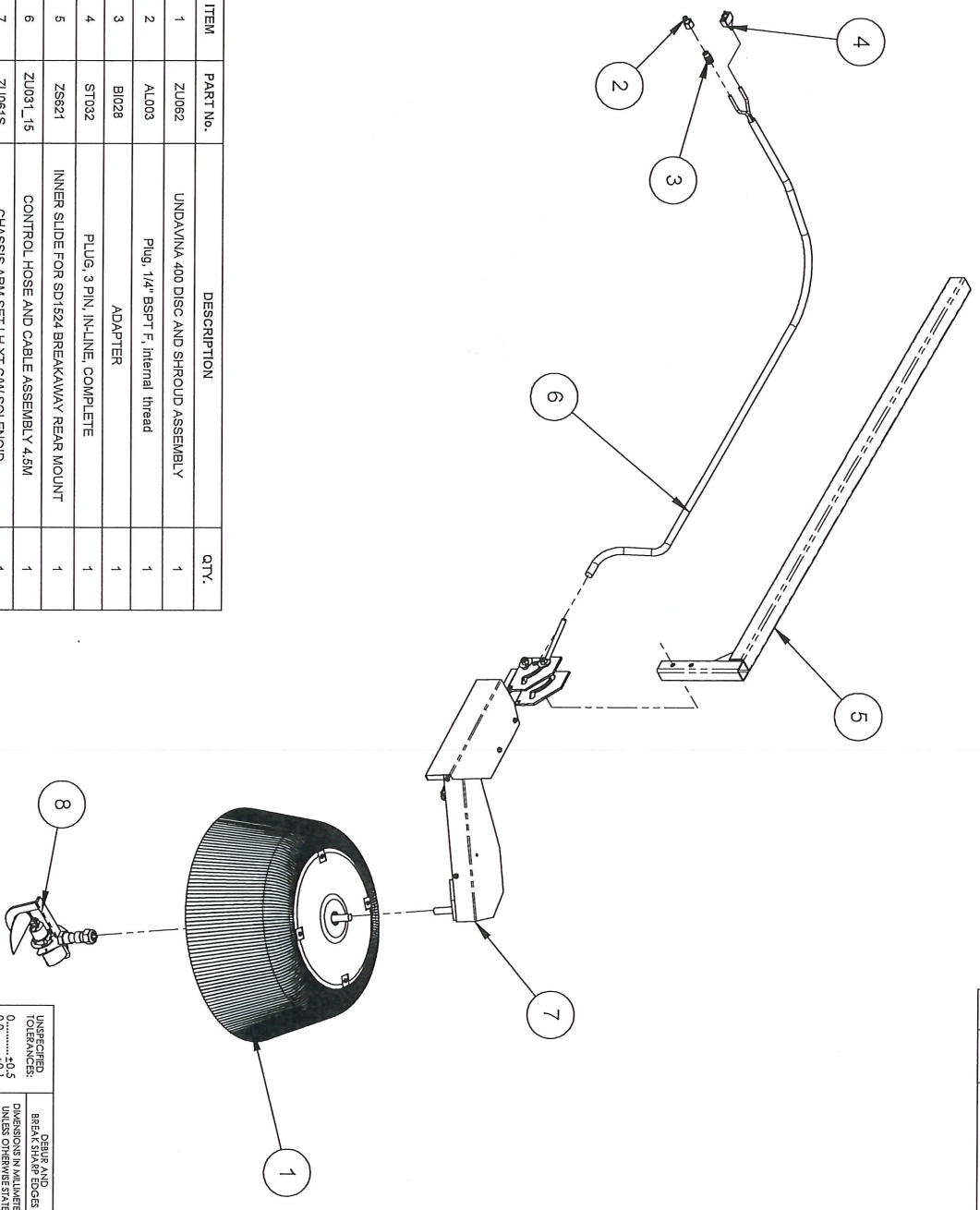


REVISIONS					
ZONE	REV.	DESCRIPTION	DATE	AMENDED BY	CHECKED BY

ITEM	PART No.	DESCRIPTION	QTY.
1	ZU062	UNDAVINA 400 DISC AND SHROUD ASSEMBLY	1
2	AL003	Plug, 1/4" BSP F, Internal thread	1
3	BI028	ADAPTER	1
4	ST092	PLUG, 3 PIN, IN-LINE, COMPLETE	1
5	ZS621	INNER SLIDE FOR SD1524 BREAKAWAY REAR MOUNT	1
6	ZU031_15	CONTROL HOSE AND CABLE ASSEMBLY 4.5M	1
7	ZU060S	CHASSIS ARM SET RH XT C/W SOLENOID	1
8	AA275B	400 CDA Head Assembly	1

UNSPECIFIED TOLERANCES: 0.0.....±0.5 0.00.....±0.02	DEBUR AND BREAK SHARP EDGES DIMENSIONS IN MILLIMETERS UNLESS OTHERWISE STATED	MICRON GROUP BROWNWARD INDUSTRIAL ESTATE, BROWNWARD, HEREFORDSHIRE, HR7 4HS TEL: 01885 482397 FAX: 01885 483043
THIRD ANGLE PROJECTION	DATE: 26/04/2018	TITLE: UNDAVINA XT 400 RH FOR VINEYARD SPECIAL
DRAWN BY: MAB		PART NO. AA480A
MATERIAL:		PROJECT ENVIRONMENT
FINISH:		SCALE: 1:7
WEIGHT: 24829.02		SIZE: A3
		SHEET 1 OF 1
		REVISION 1

REVISIONS					
ZONE	REV.	DESCRIPTION	DATE	AMENDED BY	CHECKED BY



ITEM	PART No.	DESCRIPTION	QTY.
1	ZU062	UNDAVINA 400 DISC AND SHROUD ASSEMBLY	1
2	AL003	Plug, 1/4" BSP T F, Internal thread	1
3	BI028	ADAPTER	1
4	ST032	PLUG, 3 PIN, IN-LINE, COMPLETE	1
5	ZS921	INNER SLIDE FOR SD1524 BREAKAWAY REAR MOUNT	1
6	ZU091_15	CONTROL HOSE AND CABLE ASSEMBLY 4.5M	1
7	ZU061S	CHASSIS ARM SET LH XT CW SOLENOID	1
8	AA279B	400 CDA Head Assembly	1

UNSPECIFIED TOLERANCES:	0.0.....+0.5	DEBUR AND BREAK SHARP EDGES
	0.00.....+0.02	DIMENSIONS IN MILLIMETERS UNLESS OTHERWISE STATED
DO NOT SCALE		
THIRD ANGLE PROJECTION		
DRAWN BY:	M BOTFIELD	DATE:
		26/04/2018


MICRON GROUP
 BROWHARD INDUSTRIAL ESTATE, BROWHARD, HEREFORDSHIRE, HR7 4HS
 TEL: 01885 482397 FAX: 01885 489043

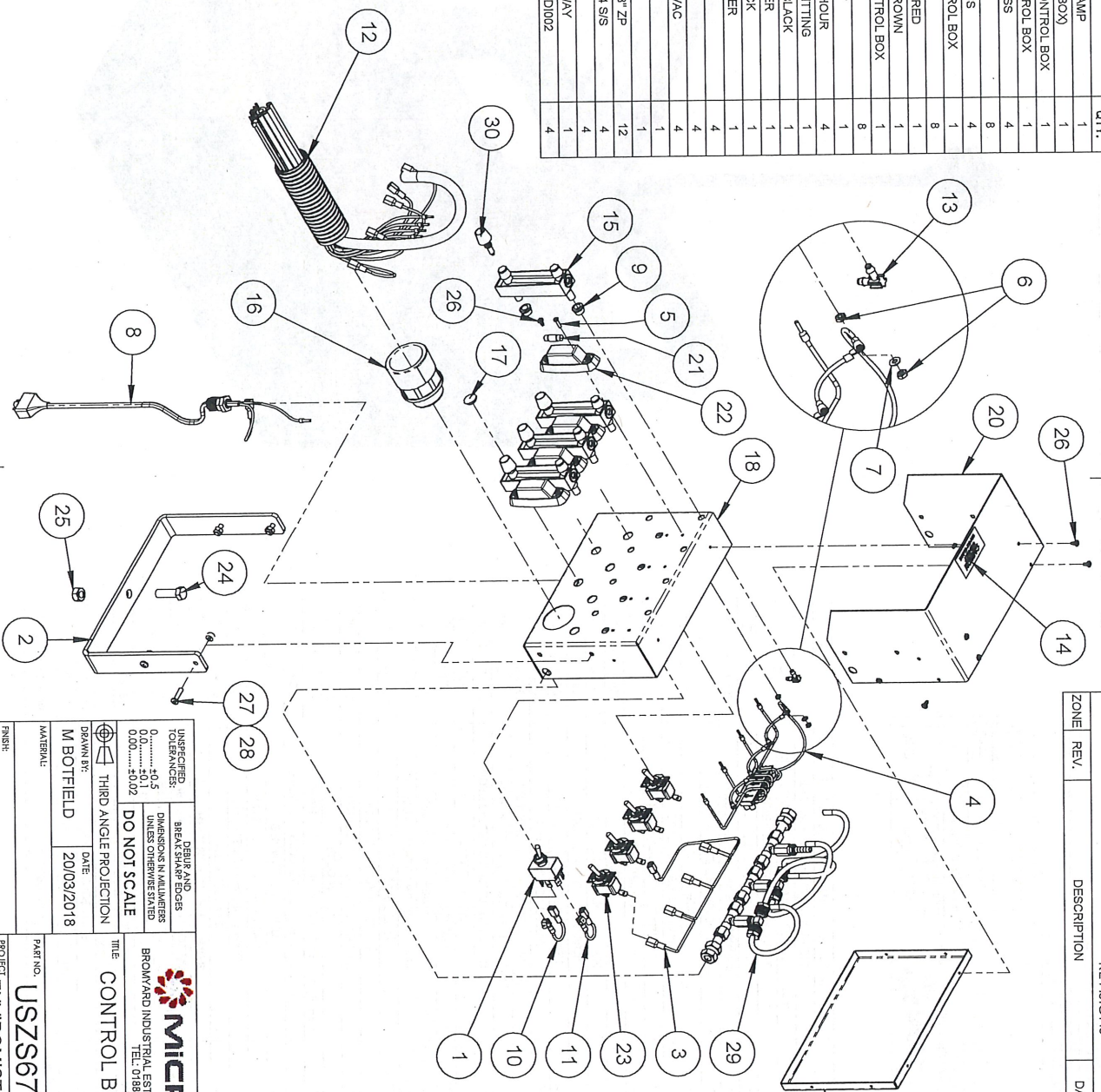
TITLE: UNDAVINA XT 400 LH FOR VINEYARD SPECIAL
 PART NO. AA481A
 PROJECT ENVIPROMIST
 FINISH:

WEIGHT: 24935.55	SCALE: 1:10	SIZE: A3	SHEET 1 OF 1
REVISION			1

ZONE		REV.		DESCRIPTION		DATE		AMENDED BY		CHECKED BY	

REVISIONS		DATE		AMENDED BY		CHECKED BY	

ITEM	PART No.	DESCRIPTION	QTY.
1	6377	SWITCH, TOGGLE, DPDT, 16 AMP	1
2	11362	BRACKET, (4 WAY CONTROL BOX)	1
3	11372	POWER LOOP, SWITCHES, 4 WAY CONTROL BOX	1
4	11373	WIRING, NEUTRALS, 4 WAY CONTROL BOX	1
5	11374	SCREW, M3 X 12, PAN, BRASS	4
6	11375	NUT, M3, BRASS	8
7	11376	WASHER, M3, FLAIN, BRASS	4
8	11384	ASSEMBLY, POWER WIRE, CONTROL BOX	1
9	11415	GROMMET, 8 mm ID	8
10	11691	PIGGY-BACK POWER LOOP, RED	1
11	11692	PIGGY-BACK POWER LOOP, BROWN	1
12	11693	UMBILICAL ASSEMBLY, 4 WAY CONTROL BOX	1
13	BI017	ELBOW, EB4	8
14	CB006	LABEL, CAUTION 12V 5V	1
15	DI003	FLOWMETER 8 US GAL PER HOUR	4
16	GE094	ADAPTALEX M40 STRAIGHT FITTING	4
17	MC020	GROMMET, 12 mm, RUBBER, BLACK	1
18	RC038	4 WAY CONTROL BOX INNER	1
19	RC039	4 WAY CONTROL BOX BACK	1
20	RC040	4 WAY CONTROL BOX OUTER	1
21	ST003	GLOBE, 12V 5V	4
22	ST004	LAMP ASSEMBLY	4
23	ST005	SWITCH, TOGGLE, 10A 250VAC	4
24	UF019	BOLT, 3/8" BSW X 1 1/4"	1
25	UF032	NUT, 3/8" BSW	1
26	UF048	SCREW, SELF TAP, 6-20 X 3/8" ZP	12
27	UF103	3/16 BSW X 1" PAN PHIL, G304 SIS	4
28	UF120	NUT, 10-24 UNC	4
29	ZC040	MANIFOLD ASSEMBLY, 4 WAY	1
30	ZU039	TRIMMER FOR FLOWMETER-DI002	4



MICRON GROUP
 BROWNARD INDUSTRIAL ESTATE, BROWNARD, HEREFORDSHIRE, HR7 4HS
 TEL: 01885 482397 / FAX: 01885 485043

USZS670
 CONTROL BOX, 4 WAY

THIRD ANGLE PROJECTION
 DO NOT SCALE

UNINSPECTED TOLERANCES:
 0.0.....±0.5
 0.00.....±0.1
 0.000.....±0.02

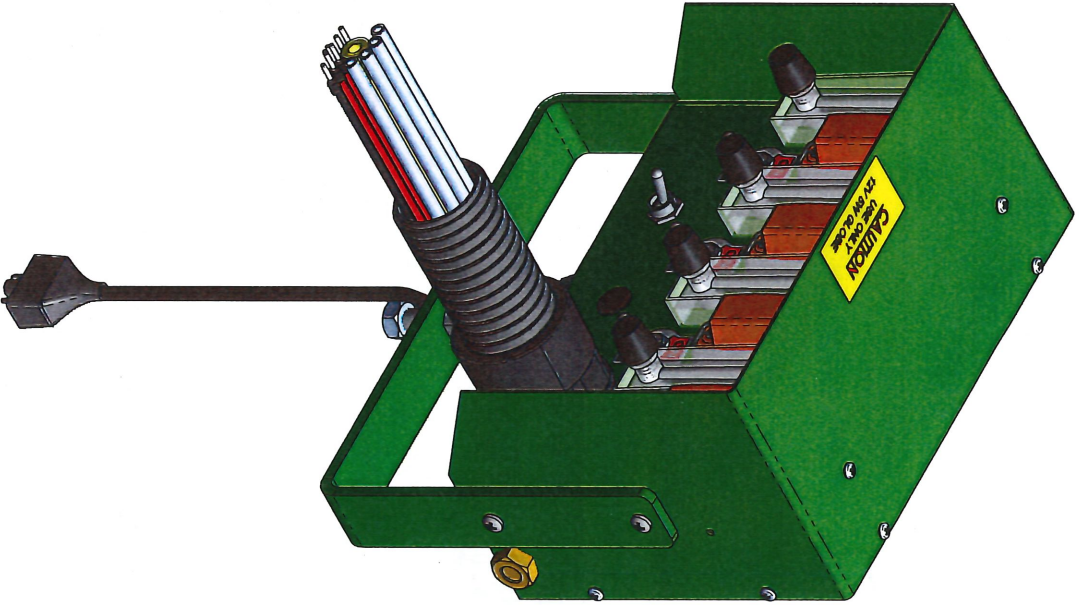
DEBUR AND BREAK SHARP EDGES
 DIMENSIONS IN MILLIMETERS
 UNLESS OTHERWISE STATED

DRAWN BY: M BOTFIELD
 DATE: 20/03/2018

PART NO: USZS670
 PROJECT: ENVIRONMENTALIST

WEIGHT: 2978.6
 SCALE: 1:5
 SIZE: A3
 SHEET 1 OF 2

REGION: 1



ITEM	PART No.	DESCRIPTION	QTY as Length/Qty.	UNITS
1	6377	SWITCH, TOGGLE, DPDT, 16 AMP	1	EACH
2	6388	RECEPTACLE 1/4" F	13	EACH
3	6421	WIRE, 1 CORE SINGLE, BLACK	7.9	METRES
4	6422	WIRE, 1 CORE SINGLE, RED	7.92	METRES
5	10038	TERMINAL, PIGGY BACK CRIMP	2	EACH
6	10728	FERRULE, CRIMP, BOOTLACE, 1.5 mm	25	EACH
7	11362	BRACKET, (4 WAY CONTROL BOX)	1	EACH
8	11374	SCREW, M3 X 12, PAN, BRASS	4	EACH
9	11375	NUT, M3, BRASS	4	EACH
10	11376	WASHER, M3, PLAIN, BRASS	4	EACH
11	11377	RING CRIMP, 1.5 mm 3.7 mm ID	7	EACH
12	11415	GROMMET, 8 mm ID	8	EACH
13	11602	FERRULE, CRIMP, BOOTLACE, 2 x 1.5 mm	1	EACH
14	AL029	TEE, MALE BRANCH, 6 mm (HOSE SAVER) X 1/8 BSP	2	EACH
15	BI017	ELBOW, E84	8	EACH
16	BI040	HOSE 6 mm, MICRO, FLEXIBLE	8.4	METRES
17	CB006	LABEL, CAUTION 12V 5W	1	EACH
18	GE004	CONNECTOR STRIP	0.5	CUT
19	GE011	AUTO CABLE, GREEN METRES	0.48	METRES
20	GE012A	CABLE, TWIN, BROWN/WHITE	1.5	METRES
21	GE013	AUTO CABLE, BROWN	0.1	METRES
22	GE048	CABLE GLAND	1	EACH
23	GE053	ADAPTA/FLEX CONDUIT, BLACK, 42 mm	1.2	METRES
24	GE054	ADAPTA/FLEX M40 STRAIGHT FITTING	1	EACH
25	MO020	GROMMET, 12 mm, RUBBER, BLACK	1	EACH
26	MT001	HOSE 6 mm I.D. TYPE S	1.55	METRES
27	RO038	4 WAY CONTROL BOX INNER	1	EACH
28	RO039	4 WAY CONTROL BOX BACK	1	EACH
29	RO040	4 WAY CONTROL BOX OUTER	1	EACH
30	ST003	GLOBE, 12V 5W	4	EACH
31	ST004	LAMP ASSEMBLY	4	EACH
32	ST005	SWITCH, TOGGLE, 10A 250VAC	4	EACH
33	UF019	BOLT, 3/8" BSW X 1 1/4"	1	EACH
34	UF032	NUT 3/8" BSW	1	EACH
35	UF048	SCREW, SELF TAP, 6-20 X 3/8" ZP	12	EACH
36	UF103	3/16 BSW X 1" PAN PHIL G304 S/S	4	EACH
37	UF120	NUT, 10-24 UNC	4	EACH
38	ZC022	WIRE ASSEMBLY, BACK PLATE	1	EACH
39	ZC040	CHEMICAL MANIFOLD 4 WAY CONTROL BOX	1	EACH
40	ZL039	TRIMMER FOR FLOWMETER-DI002	1	EACH
41	DI003	FLOWMETER 8 US GAL. PER HOUR	4	EACH

UNSPECIFIED TOLERANCES: BREAK SHARP EDGES DIMENSIONS IN MILLIMETERS UNLESS OTHERWISE STATED 0.00.....20.02 DO NOT SCALE

DESIG AND BREAK SHARP EDGES DIMENSIONS IN MILLIMETERS UNLESS OTHERWISE STATED DO NOT SCALE

THIRD ANGLE PROJECTION

DATE: 20/03/2018

TITLE: CONTROL BOX, 4 WAY

BROOMYARD INDUSTRIAL ESTATE, BROMYARD, HEREFORDSHIRE, HR7 4HS
TEL: 01885 483397 FAX: 01885 483043

MICRON GROUP

PART NO. USZS670

PROJECT ENVIRONMENT

SCALE: 1:2 SIZE: A3 SHEET 2 OF 2

REVISION 1

WEIGHT: 2978.6

FINISH: M BOTTLEFIELD

DRAWN BY: M BOTTLEFIELD

MATERIAL: M BOTTLEFIELD

DATE: 20/03/2018

REVISION 1

SCALE: 1:2

SIZE: A3

SHEET 2 OF 2

REVISION 1

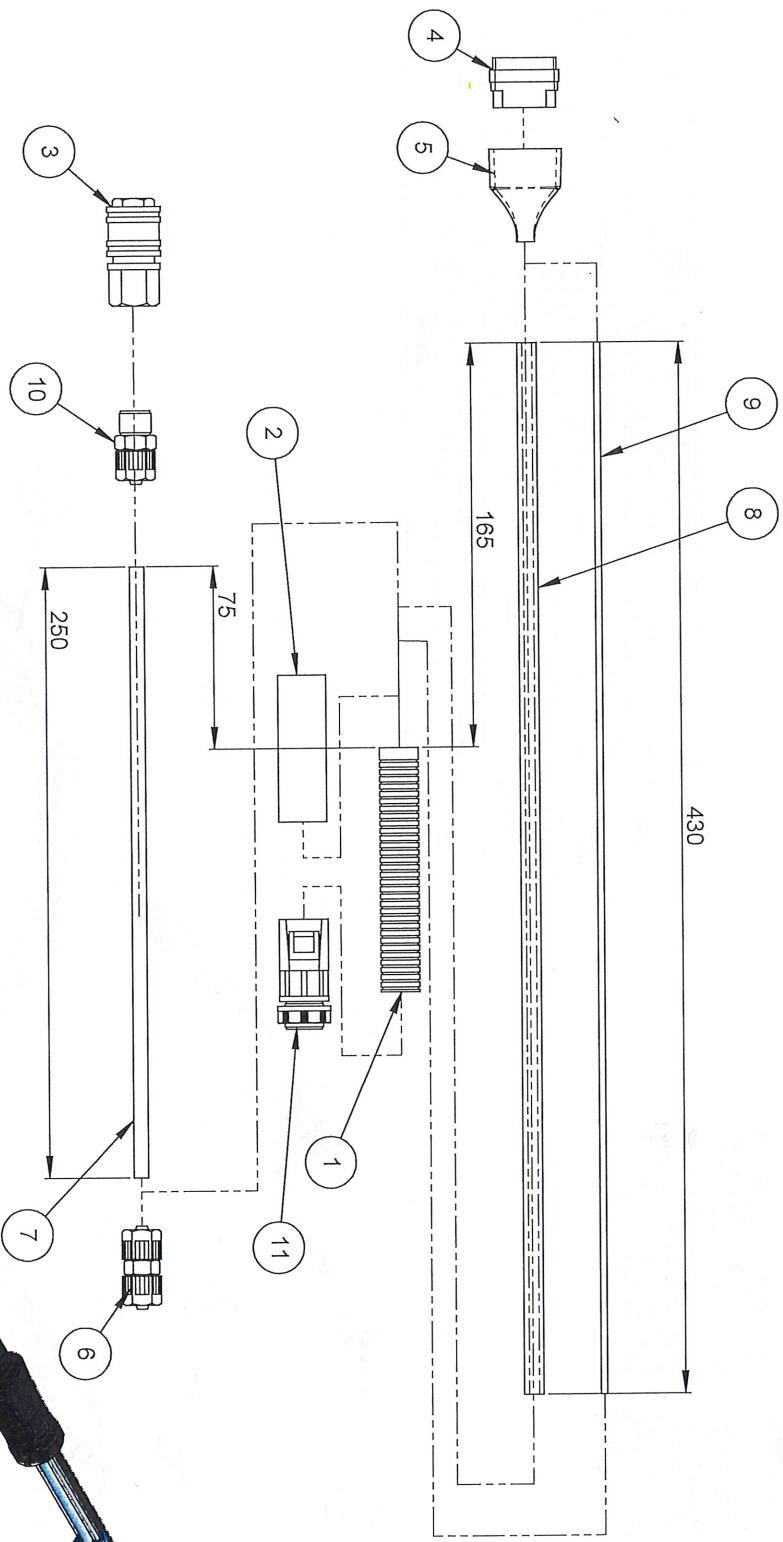
SCALE: 1:2

SIZE: A3

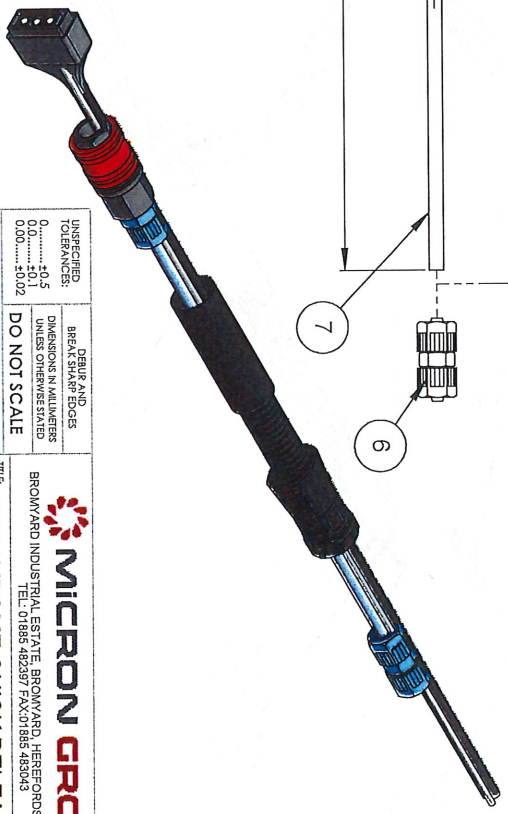
SHEET 2 OF 2

REVISION 1

REVISIONS		DESCRIPTION	DATE	AMENDED BY	CHECKED BY
ZONE	REV.				



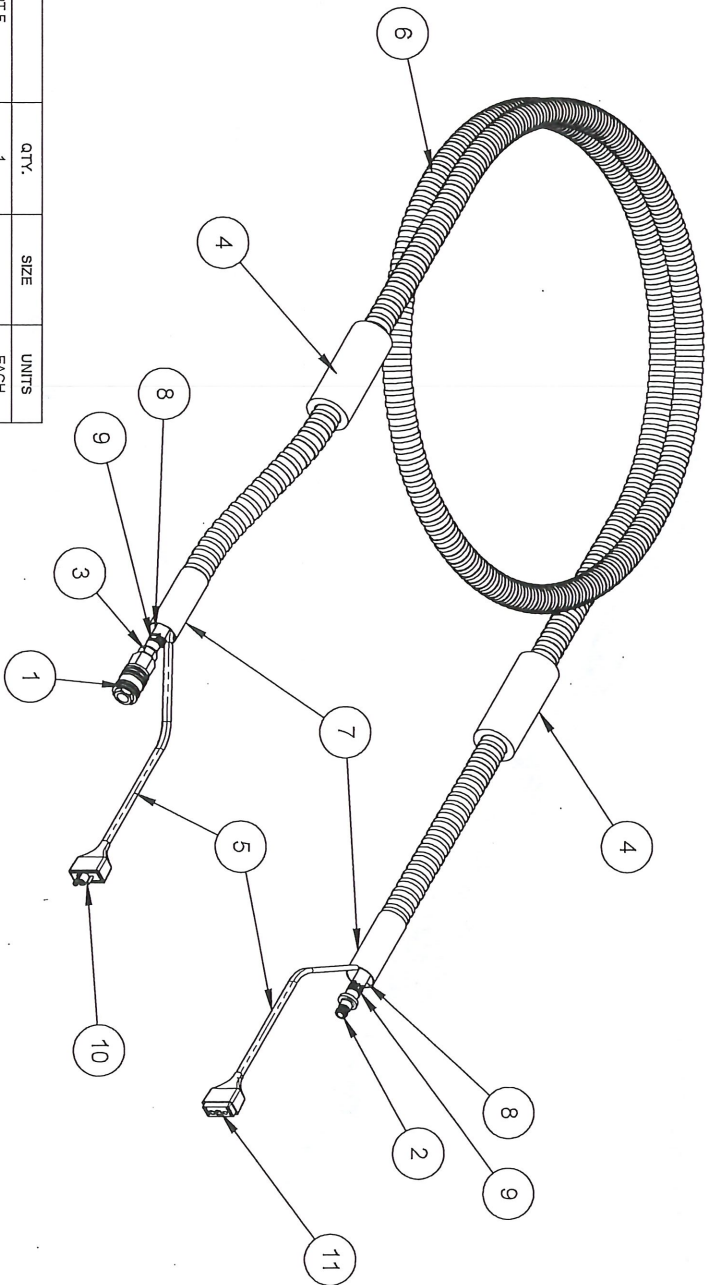
ITEM	PART No.	DESCRIPTION	QTY.	SIZE	UNITS
1	GE037	CONDUIT, 16 mm, NYLON	1	0,100	METRES
2	GE046	HEAT SHRINK, BLACK, 20 mm	1		EACH
3	AL001	SOCKET, QUICK RELEASE, 1/4" BSPT F	1		EACH
4	ST023	SOCKET, 3 PIN	1		EACH
5	ST028	BOOT, RUBBER	1		EACH
6	AL024	UNION CONNECTOR 6 mm	1	0,280	METRES
7	BL002	MICRO HOSE, 6 mm	1	0,430	METRES
8	GE012	CABLE, 2 CORE, RED/BLACK	1	0,430	METRES
9	GE044	AUTO CABLE, WHITE, METRES	1	0,430	METRES
10	BL028	ADAPTER	1		EACH
11	GE038	STRAIGHT FITTING, NYLON, 16mm	1		EACH



UNSPECIFIED TOLERANCES: 0.0.....+0.5
0.00.....+0.02
BREAK SHARP EDGES
DIMENSIONS IN MILLIMETERS
UNLESS OTHERWISE STATED
DO NOT SCALE
THIRD ANGLE PROJECTION
DRAWN BY: M BOTFIELD
DATE: 25/05/2017
MATERIAL: M BOTFIELD

MICRON GROUP
BROMYARD INDUSTRIAL ESTATE, BROMYARD, HEREFORDSHIRE, HR7 4HS
TEL: 01885 482397 FAX: 01885 483043
TITLE: SPRAYDOME QUICK RELEASE CONNECTION
PART NO. ZS675
PROJECT: ENVIRONMENTALIST
SCALE: 1:2
SIZE: A3
SHEET 1 OF 1
REVISION: 1

REVISIONS				
ZONE	REV.	DESCRIPTION	DATE	AMENDED BY



ITEM	PART No.	DESCRIPTION	QTY.	SIZE	UNITS
1	AL001	SOCKET, QUICK RELEASE, 1/4" BSP T F	1		EACH
2	AL012	HOSE CONNECTOR, PLUG, 6 mm	1		EACH
3	AL010	HOSE BARB, 6mm X 1/4 BSP M.	1		EACH
4	DP020	INSULATION, PIPE, 22mm	2	0.090	METRES
5	GE012	CABLE, 2 CORE, RED/BLACK	1	2.75	METRES
6	GE033	CONDUIT, 20 mm, NYLON	1	1.75	METRES
7	GE039	HEAT SHRINK, 25mm, BLACK	2	0.065	METRES
8	MT001	HOSE, 6 mm, TYPE S	1	1.850	METRES
9	NH003	HOSE CLIP, 6 mm, COBRA	2		EACH
10	ST008	PLUG, 2 PIN, IN-LINE, COMPLETE	1		EACH
11	ST009	SOCKET, 2 PIN, IN-LINE, COMPLETE	1		EACH

UNSPECIFIED TOLERANCES:
 0.0.....±0.5
 0.00.....±0.1
 0.00.....±0.02

DEBUR AND BREAK SHARP EDGES
 DIMENSIONS IN MILLIMETERS
 UNLESS OTHERWISE STATED
DO NOT SCALE

THIRD ANGLE PROJECTION

DRAWN BY: M BOTFIELD
 DATE: 08/03/2018

MATERIAL:

FINISH:

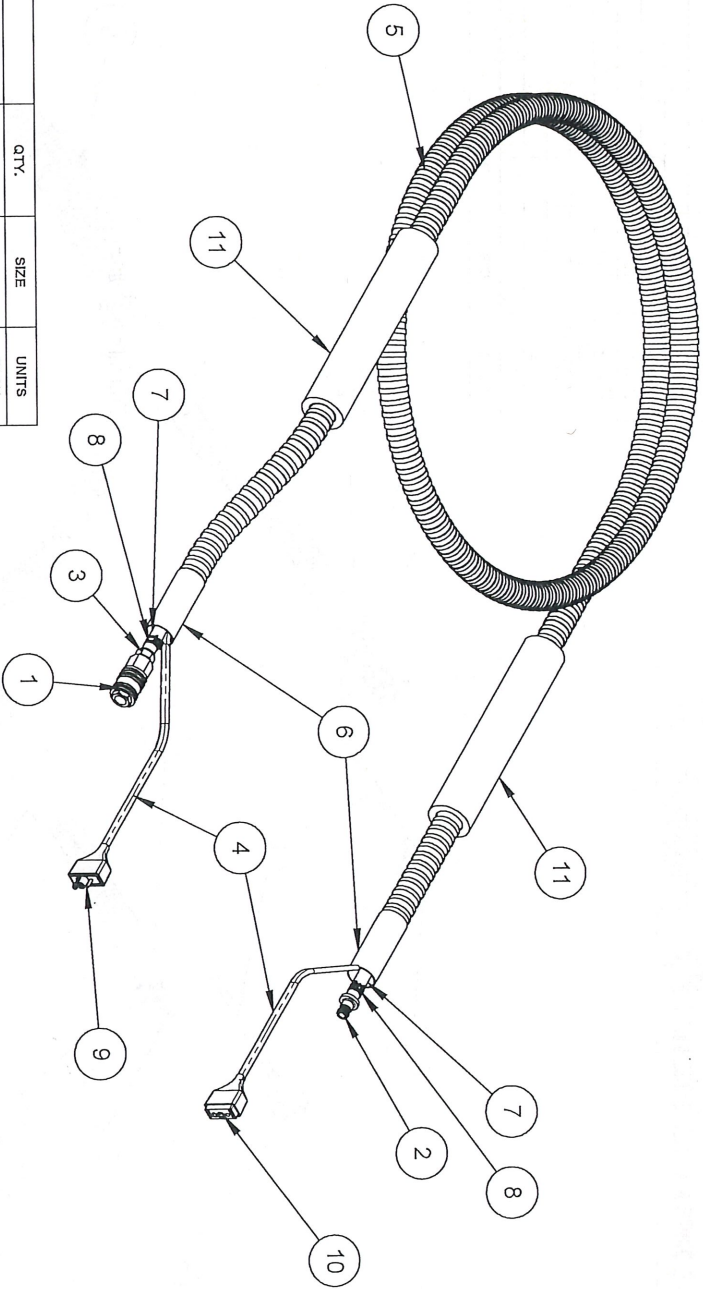
WEIGHT: 1113.98

MICRON GROUP
 BROWN HILL INDUSTRIAL ESTATE, BROWN HILL, HEREFORDSHIRE, HR7 4HS
 TEL: 01885 482397 FAX: 01885 483043

TITLE: DETACHABLE HOSE AND CABLE ASSEMBLY
 PART NO. ZT040
 PROJECT: ENVIROMIST
 SCALE: 1:4 SIZE: A3 SHEET 1 OF 1


REVISION: 1

REVISIONS			
ZONE	REV.	DESCRIPTION	DATE



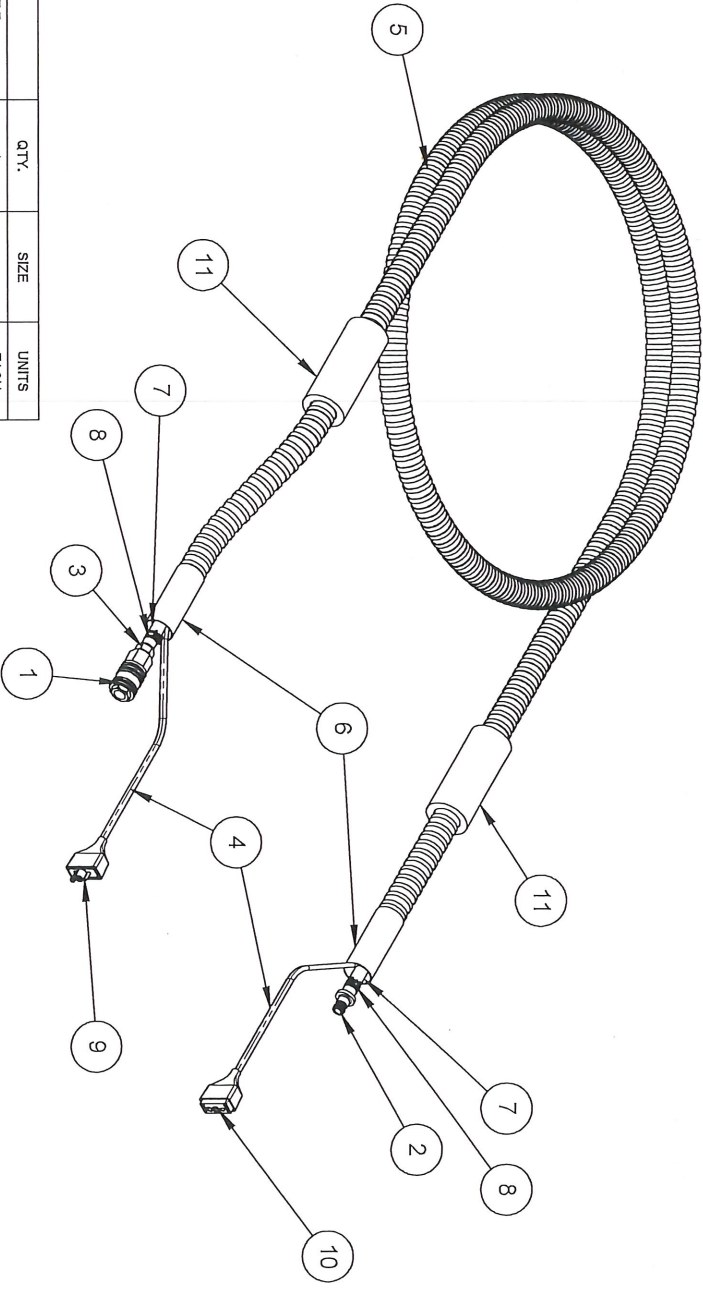
ITEM	PART No.	DESCRIPTION	QTY.	SIZE	UNITS
1	AL001	SOCKET, QUICK RELEASE, 1/4" BSP F	1		EACH
2	AL012	HOSE CONNECTOR, PLUG, 6 mm	1		EACH
3	AL010	HOSE BARB, 6mm X 1/4 BSP M	1		EACH
4	GE012	CABLE, 2 CORE, RED/BLACK	1	5.500	METRES
5	GE033	CONDUIT, 20 mm, NYLON	1	4.500	METRES
6	GE039	HEAT SHRINK, 25mm, BLACK	2	0.065	METRES
7	MT001	HOSE, 6 mm, TYPE S	1	4.800	METRES
8	NH003	HOSE CLIP, 6 mm, COBRA	2		EACH
9	ST008	PLUG, 2 PIN, IN-LINE, COMPLETE	1		EACH
10	ST009	SOCKET, 2 PIN, IN-LINE, COMPLETE	1		EACH
11	DP020	INSULATION, PIPE, 22mm	2	0.195	METRES

UNSPECIFIED TOLERANCES:	DEBUR AND BREAK SHARP EDGES
0.0.....+0.5	DIMENSIONS IN MILLIMETERS
0.00.....+0.1	UNLESS OTHERWISE STATED
0.000.....+0.02	DO NOT SCALE
THIRD ANGLE PROJECTION	
DRAWN BY:	DATE:
M BOTFIELD	08/03/2018


MICRON GROUP
 BROWNVARD INDUSTRIAL ESTATE, BROWNVARD, HEREFORDSHIRE, HR7 4HS
 TEL: 01885 482387 FAX: 01885 483043

TITLE: DETACHABLE HOSE AND CABLE ASSEMBLY
 PART NO. ZT040 15
 PROJECT: EMV/ROMIST
 SCALE: 1:4 SIZE: A3 SHEET 1 OF 1

REVISIONS			
ZONE	REV.	DESCRIPTION	DATE



ITEM	PART No.	DESCRIPTION	QTY.	SIZE	UNITS
1	AL001	SOCKET, QUICK RELEASE, 1/4" BSPT F	1		EACH
2	AL012	HOSE CONNECTOR, PLUG, 6 mm	1		EACH
3	AL010	HOSE BARB, 6mm X 1/4 BSP M	1		EACH
4	GE012	CABLE, 2 CORE, RED/BLACK	1	6.1	METRES
5	GE033	CONDUIT, 20 mm, NYLON	1	5.4	METRES
6	GE039	HEAT SHRINK, 25mm, BLACK	2	0.065	METRES
7	MT001	HOSE, 6 mm, TYPE S	1	5.5	METRES
8	NH003	HOSE CLIP, 6 mm, COBRA	2		EACH
9	ST008	PLUG, 2 PIN, IN-LINE, COMPLETE	1		EACH
10	ST009	SOCKET, 2 PIN, IN-LINE, COMPLETE	1		EACH
11	DP020	INSULATION, PIPE, 22mm	2	0.090	METRES

UNPERFORATED TOLERANCES: 0.0.....40.5 0.01.....50.0 0.00.....50.02	DEBUR AND BREAK SHARP EDGES DIMENSIONS IN MILLIMETERS UNLESS OTHERWISE STATED DO NOT SCALE
THIRD ANGLE PROJECTION	
DRAWN BY: M BOFFIELD	DATE: 12/09/2018

MICRON GROUP
 BROMYARD INDUSTRIAL ESTATE, BROMYARD, HEREFORDSHIRE, HR7 4HS
 TEL: 01885 423297 FAX: 01885 483043

TITLE: DETATCHABLE HOSE AND CABLE ASSEMBLY

PART NO. ZT040 18

PROJECT: EMVIROMIST

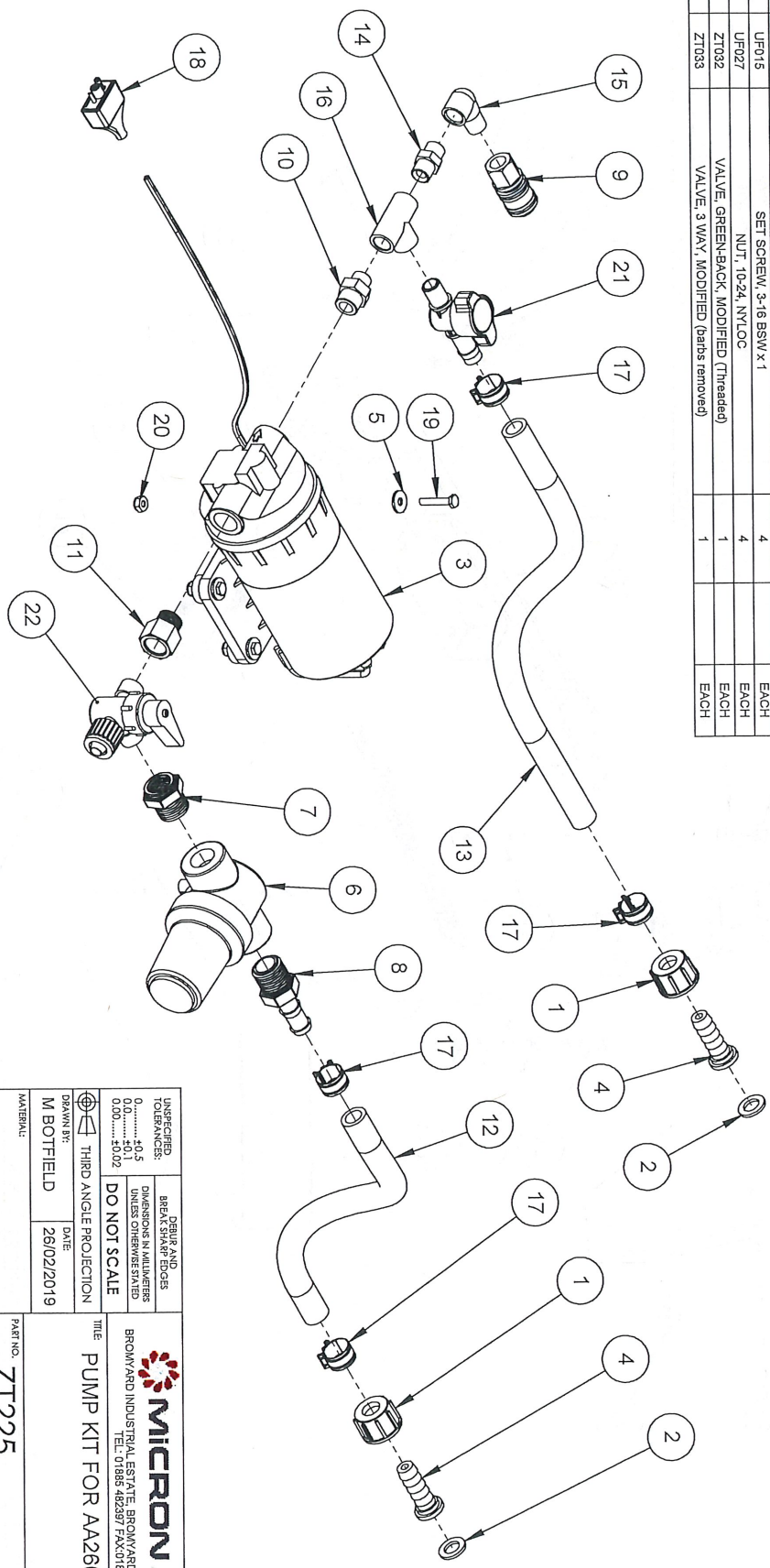
SCALE: 1:4

SIZE: A3

SHEET 1 OF 1

REVISION: 1

ITEM	PART No.	DESCRIPTION	QTY.	SIZE	UNITS
1	11328	NUT, FLYNUT 1/2" BSP	2		EACH
2	11329	GASKET, 1/2" F 19.2 O.D X 11.5 I.D X 2.5	2		EACH
3	11408	PUMP, 7.6 LPM, 6.9 BAR, DEMAND	1		EACH
4	11485	HOSE BARB 13MM x 1/2" FLYNUT	2		EACH
5	6079	WASHER M5 x 15 x 1.6	4		EACH
6	8043	FILTER STRAINER	1		EACH
7	8074	REDUCING BUSH 1/2MM X 3/8" F	1		EACH
8	8143	HOSE BARB 1/2" X 1/2" BSP	1		EACH
9	AL001	SOCKET, QUICK RELEASE, 1/4" BSPPT F	1		EACH
10	AL019	ADAPTER, 3/8" x 1/4" MM	1		EACH
11	AL026	ADAPTER, 3/8 x 3/8	1		EACH
12	BU001	HOSE, 1/2" ID	1	0.500 METRES	
13	BU001	HOSE, 1/2" ID	1	0.800 METRES	
14	BU009	ADAPTER, 1/4" MM	1		EACH
15	BU032	ELBOW, 1/4" M/F, BRASS	1		EACH
16	BU033	TEE, 1/4", BRASS	1		EACH
17	NH006	HOSE CLIP, 17 mm	4		EACH
18	ST008	PLUG, 2 PIN, IN-LINE, COMPLETE	1		EACH
19	UF015	SET SCREW, 3-16 BSW x 1	4		EACH
20	UF027	NUT, 10-24, NYLOC	4		EACH
21	ZT032	VALVE, GREENBACK, MODIFIED (Threaded)	1		EACH
22	ZT033	VALVE, 3 WAY, MODIFIED (barbs removed)	1		EACH



REVISED		REVISED		REVISED	
ZONE	REV.	DESCRIPTION	DATE	AMENDED BY	CHECKED BY

MICRON GROUP
 BROWN VARD INDUSTRIAL ESTATE, BROWN VARD, HEREFORDSHIRE, HR7 4HS
 TEL: 01885 482397 FAX: 01885 483043

PUMP KIT FOR AA260S

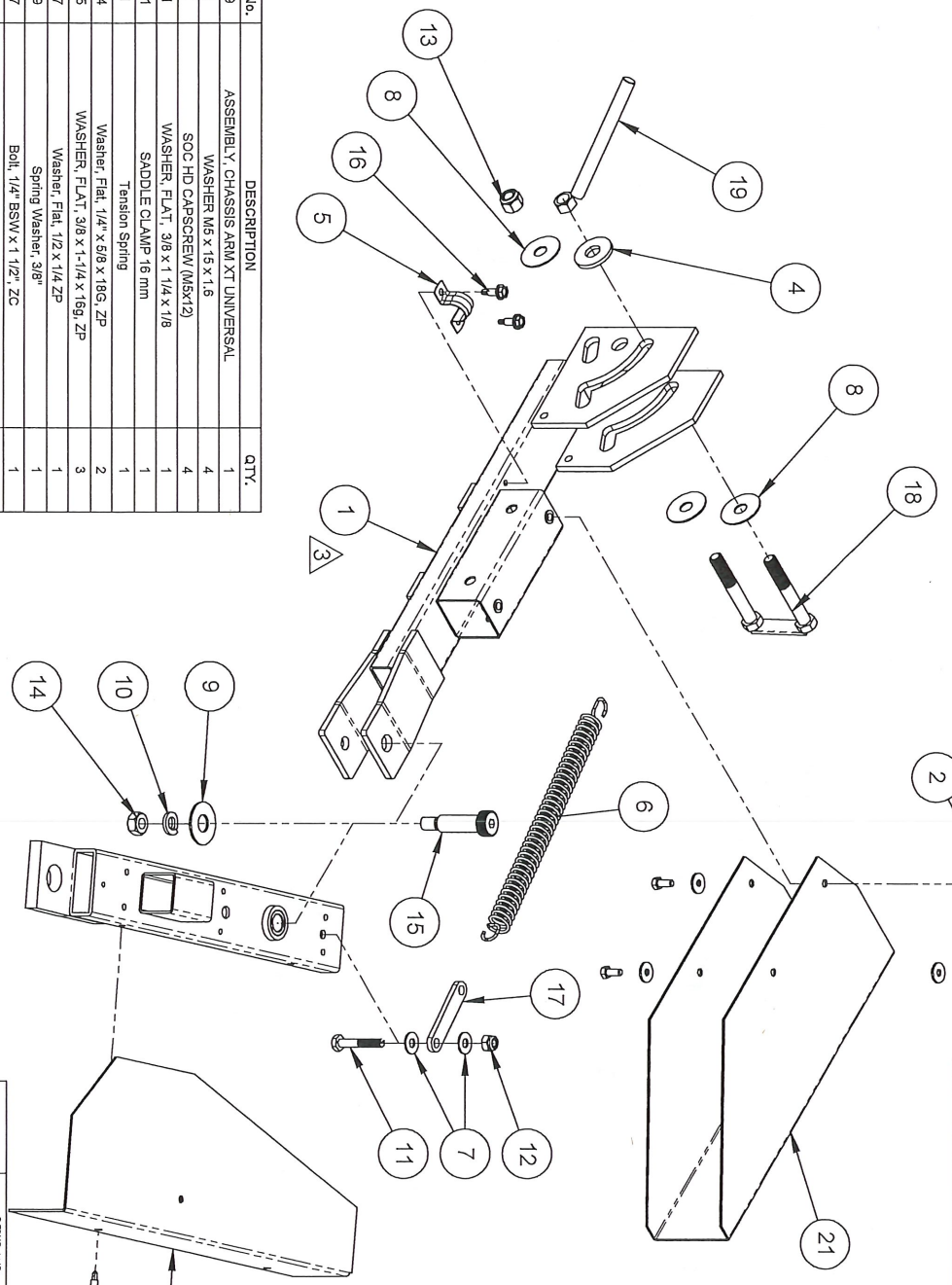
UNSPECIFIED TOLERANCES: DIMENSIONS IN MILLIMETERS
 0.....+0.5 UNLESS OTHERWISE STATED
 0.00.....+0.1
 0.00.....+0.02
DO NOT SCALE

DRAWN BY: M BOTFIELD DATE: 28/02/2019
 THIRD ANGLE PROJECTION

FINISH: M BOTFIELD
 MATERIAL:

PART NO. ZT225
 PROJECT ENVIRONMENT
 SCALE: 1:3 SIZE: A3 SHEET 1 OF 1

REVISIONS					
ZONE	REV.	DESCRIPTION	DATE	AMENDED BY	CHECKED BY
	2	SADDLE CLAMP MOVED TO ZU060S	30/04/2018	MAB	
	3	SUPPORT & GUARD FIXINGS ARM CHANGED	01/03/2019	MAB	

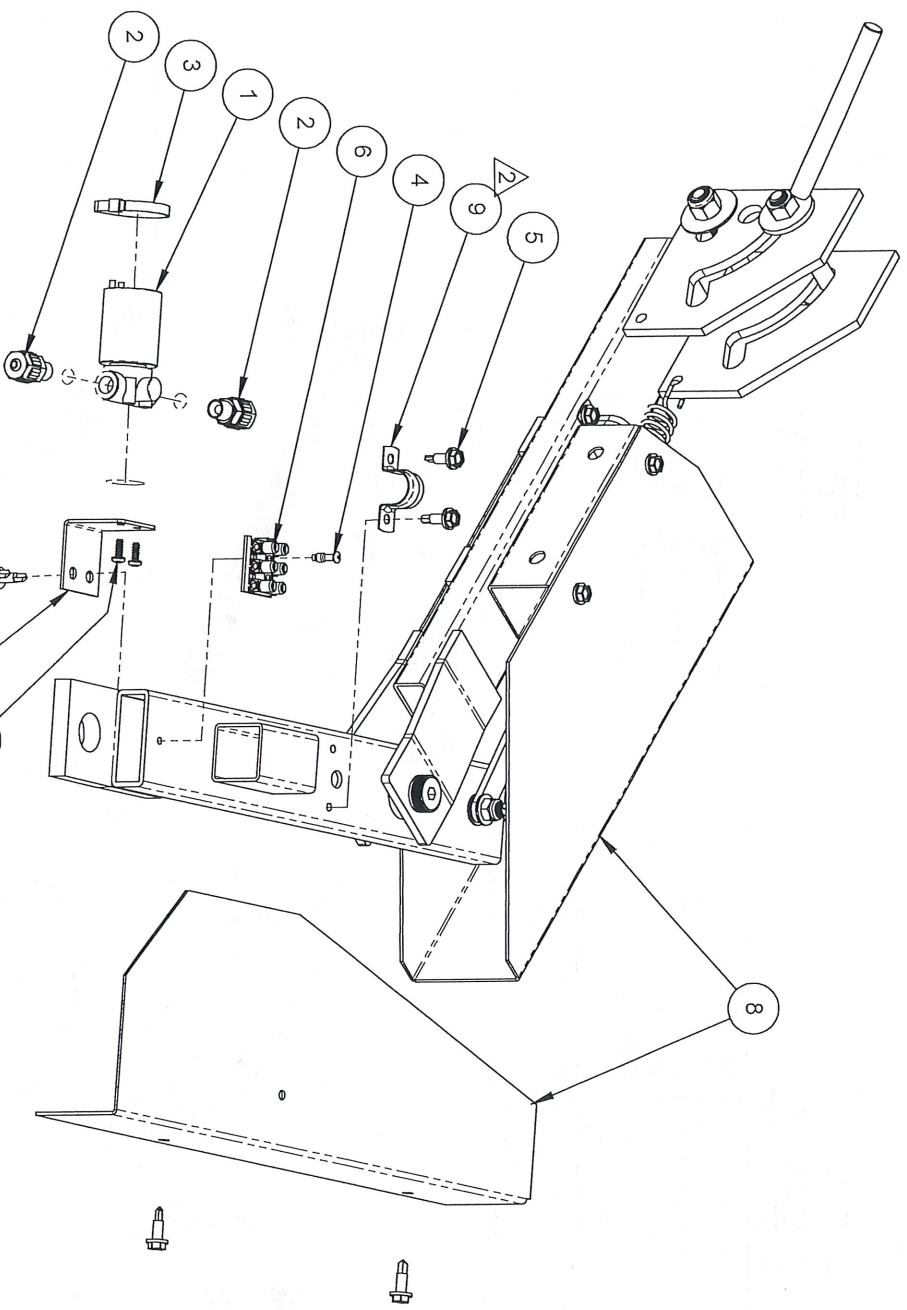


ITEM	PART No.	DESCRIPTION	QTY.
1	12099	ASSEMBLY, CHASSIS ARM XT UNIVERSAL	1
2	6079	WASHER M6 x 16 x 1.6	4
3	6181	SOC HD CAPSCREW (M6x12)	4
4	FJ001	WASHER, FLAT, 3/8 x 1 1/4 x 1/8	1
5	GE001	SADDLE CLAMP 16 mm	1
6	IE001	Tension Spring	1
7	UF004	Washer, Flat, 1/4\"/>	
8	UF005	WASHER, FLAT, 3/8 x 1-1/4 x 1/8, ZP	3
9	UF007	Washer, Flat, 1/2 x 1/4, ZP	1
10	UF009	Spring Washer, 3/8"	1
11	UF017	Bolt, 1/4\"/>	
12	UF028	Nut, 1/4\"/>	
13	UF029	NUT, 3/8 BSW, NYLOC, BZP	1
14	UF032	NUT 3/8\"/>	
15	UF073	Shoulder Bolt, 1/2\"/>	
16	UF076	12-14x20 ZP HEX HD TEK SCREW	4
17	ZU005	Pivot Connector II	1
18	ZU009	CLAMP BOLT ASSEMBLY	1
19	ZU010	CLAMP NUT ASSEMBLY	1
20	ZU059	PIVOT ARM, OUTER, BREAKAWAY	1
21	ZU074	Universal Guard	1
22	ZU075	Chassis Guard (RH)	1

UNSCRIBED TOLERANCES: 0.00.....±0.5 0.00.....±0.1 0.00.....±0.02		DEBUR AND BREAK SHARP EDGES DIMENSIONS IN MILLIMETERS UNLESS OTHERWISE STATED DO NOT SCALE	
DRAWN BY: M BOTTFIELD		DATE: 29/03/2018	
THIRD ANGLE PROJECTION		TITLE: CHASSIS ARM SET RH XT	
MATERIAL: M BOTTFIELD		PROJECT: ENVIRONMENT	
FINISH: WEIGHT: 4943.9		SCALE: 2:1	
PART NO: ZU060		SIZE: A3	
PROJECT: ENVIRONMENT		SHEET 1 OF 1	
REVISION: 3			




REVISIONS					
ZONE	REV.	DESCRIPTION	DATE	AMENDED BY	CHECKED BY
	2	SADDLE CLAMP MOVED UP FROM SUBASSEMBLY	30/04/2018	MAB	
	3	SOLENOID BRACKET CHANGED	14/05/2018	MAB	



ITEM	PART No.	DESCRIPTION	QTY.
1	11414	VALVE, SOLENOID, 12VDC, NC WITHOUT BYPASS	1
2	AL014	ADAPTER, 1/8 BSP x 6 mm	2
3	GE042	Cable Tie	1
4	UF046	POP RIVET, 73AS 4-8	1
5	UF076	12-14x20 ZP HEX HD TEK SCREW	4
6	ZE008	CONNECTOR, 3 WAY	1
7	11752	SOLENOID BRACKET	1
8	ZU060	CHASSIS ARM SET RH XT	1
9	GE001	SADDLE CLAMP 16 mm	1
10	5399	SCREW, STT No.6x3/8" PZ PAN HD, B	2

UNSPECIFIED TOLERANCES:	DEBUR AND BREAK SHARP EDGES
0.0.....+0.5	DIMENSIONS IN MILLIMETERS
0.00.....+0.1	DIMENSIONS UNLESS OTHERWISE STATED
0.00.....+0.02	DO NOT SCALE
THIRD ANGLE PROJECTION	
DRAWN BY:	M BOTFIELD
DATE:	29/03/2018
MATERIAL:	
FINISH:	
WEIGHT: 5004.3	

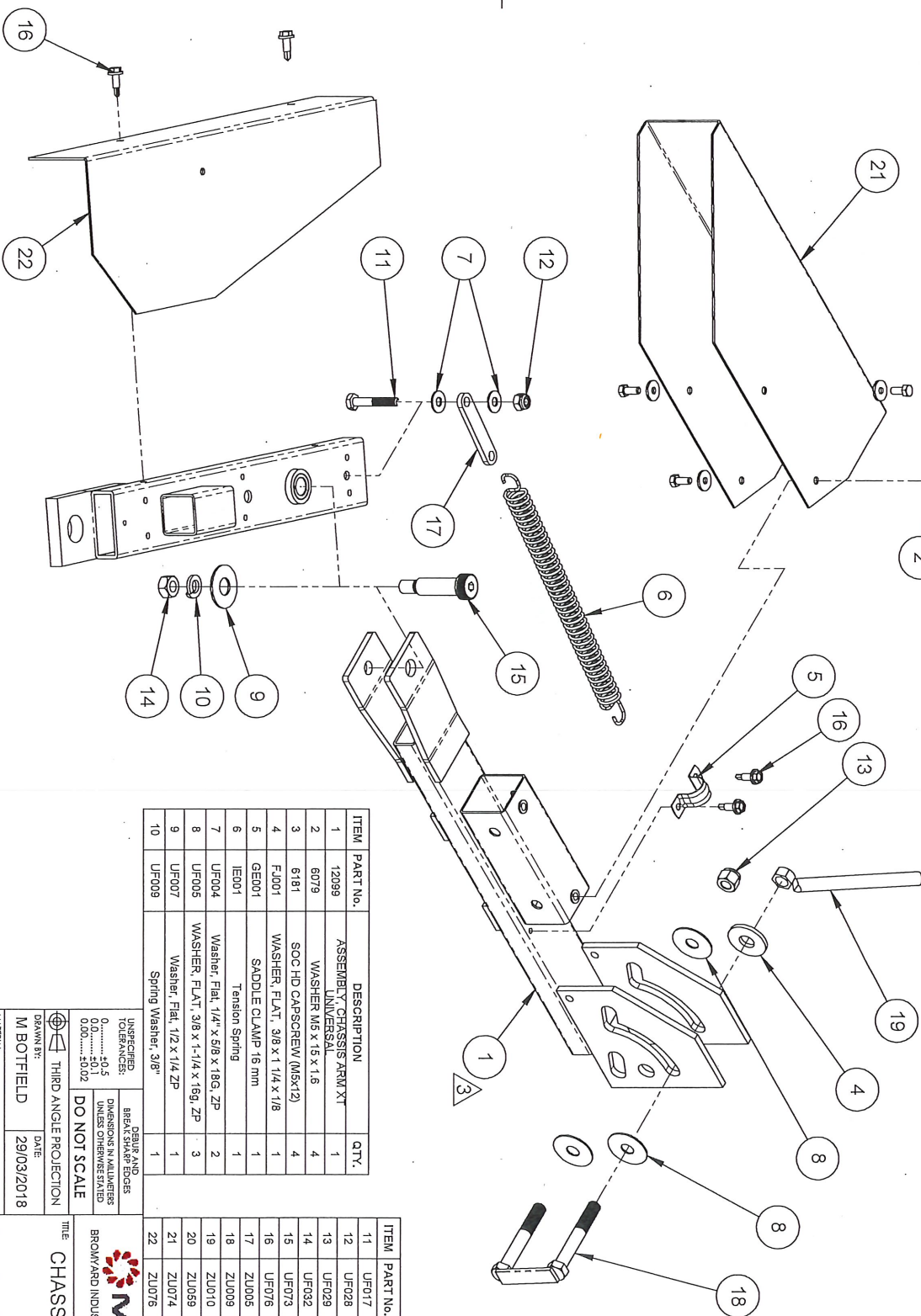

MICRON GROUP
 BROWNARD INDUSTRIAL ESTATE, BROWNARD, HEREFORDSHIRE, HR7 4HS
 TEL: 01885 482389 / FAX: 01885 483043

TITLE: CHASSIS ARM SET RH XT CW
 SOLENOID

PART NO: ZU060S
 PROJECT: ENV/ROMIST

REVISION: 3

REVISIONS					
ZONE	REV.	DESCRIPTION	DATE	AMENDED BY	CHECKED BY
	2	SADDLE CLAMP MOVED TO ZU061S	30/04/2018	MAB	
	3	SUPPORT ARM AND GUARD FIXINGS CHANGED	01/03/2019	MAB	



ITEM	PART No.	DESCRIPTION	QTY.
1	12099	ASSEMBLY CHASSIS ARM XT UNIVERSAL	1
2	6079	WASHER M6 x 15 x 1.6	4
3	6181	SOC HD CAPSCREW (M5x12)	4
4	FJ001	WASHER, FLAT, 3/8 x 1 1/4 x 1/8	1
5	GE001	SADDLE CLAMP 15 mm	1
6	IE001	Tension Spring	1
7	UF004	Washer, Flat, 1/4" x 5/8 x 1/8G, ZP	2
8	UF005	WASHER, FLAT, 3/8 x 1-1/4 x 1/8G, ZP	3
9	UF007	Washer, Flat, 1/2 x 1/4, ZP	1
10	UF009	Spring Washer, 3/8"	1

ITEM	PART No.	DESCRIPTION	QTY.
11	UF017	Bolt, 1/4" BSW x 1 1/2", ZC	1
12	UF028	Nut, 1/4" BSW, Nyloc, ZC	1
13	UF029	NUT, 3/8 BSW, NYLOC, BZP	1
14	UF032	NUT 3/8" BSW	1
15	UF073	Shoulder Bolt, 1/2" x 1 1/2"	1
16	UF076	12-14x20 ZP HEX HD TEK SREW	4
17	ZU005	Pivot Connector II	1
18	ZU009	CLAMP BOLT ASSEMBLY	1
19	ZU010	CLAMP NUT HANDLE	1
20	ZU059	PIVOT ARM, OUTER, BREAKAWAY	1
21	ZU074	Universal Guard	1
22	ZU076	Chassis Guard (L.H.)	1

MICRON GROUP
 BROWARD INDUSTRIAL ESTATE, BROWARD, HEREFORDSHIRE, HR7 4HS
 TEL: 01885 42397 FAX: 01885 483043

TITLE: CHASSIS ARM SET LH XT

PART NO. ZU061

PROJECT ENVIRONMENT

REVISION 3

WEIGHT: 4943.9

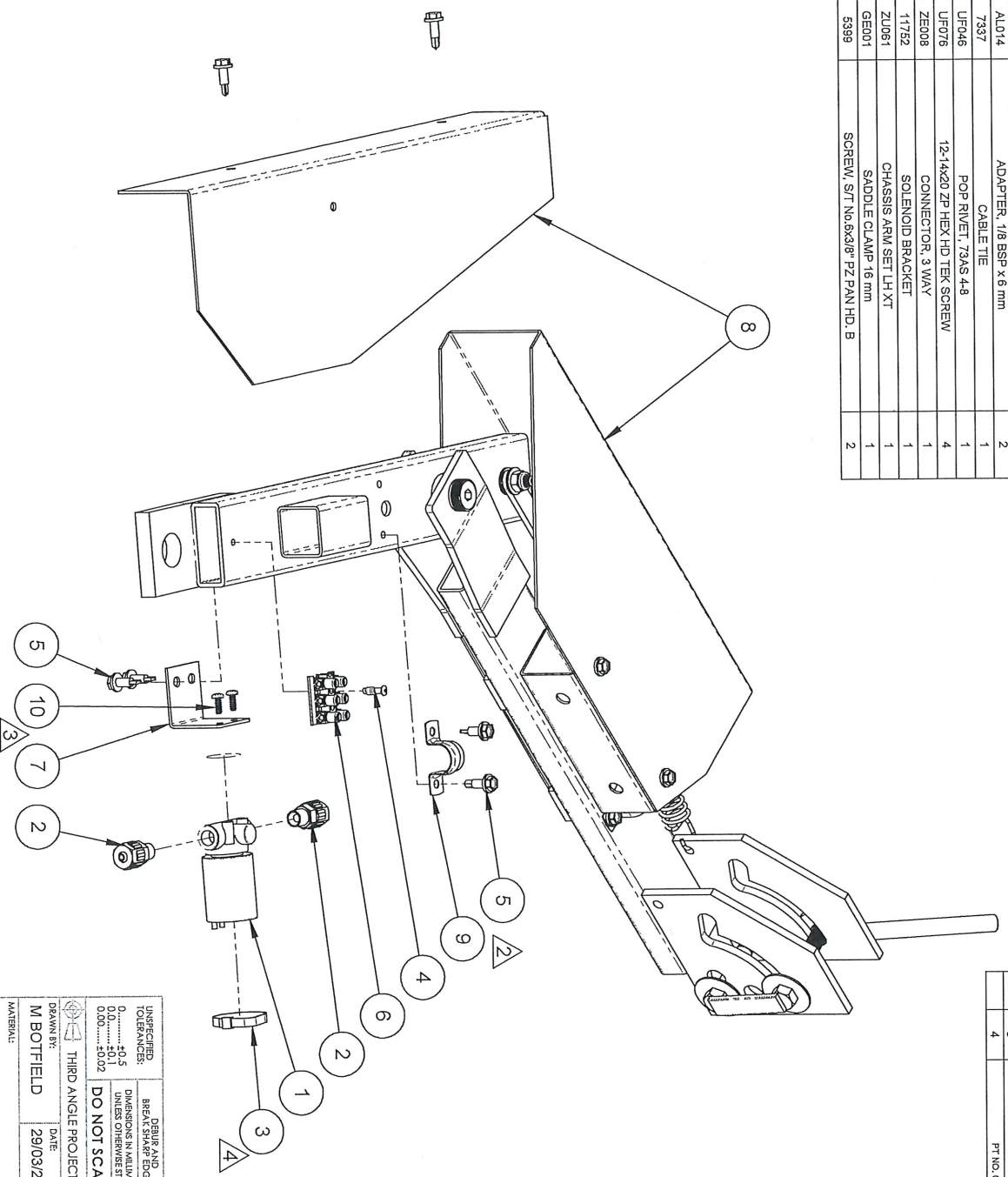
SCALE: 1:3

SIZE: A3

SHEET 1 OF 1



ITEM	PART No.	DESCRIPTION	QTY.
1	11414	VALVE, SOLENOID, 12VDC, NC WITHOUT BYPASS	1
2	AL014	ADAPTER, 1/8 BSP x 6 mm	2
3	7337	CABLE TIE	1
4	UF046	POP RIVET, 73AS 4-8	1
5	UF076	12-14X20 ZP HEX HD TEK SCREW	4
6	ZE008	CONNECTOR, 3 WAY	1
7	11752	SOLENOID BRACKET	1
8	ZU061	CHASSIS ARM SET LH XT	1
9	GE001	SADDLE CLAMP 16 mm	1
10	5399	SCREW, S/T No.8x3/8" PZ PAN HD. B	2



REVISIONS					
ZONE	REV.	DESCRIPTION	DATE	AMENDED BY	CHECKED BY
	2	SADLE CLAMP MOVED UP FROM SUB-ASSEMBLY	30/04/2018	MAB	
	3	SOLENOID BRACKET CHANGED	14/05/2018	MAB	
	4	PT NO. CHANGE (PAP 344)	17/09/2018	DD	

UNSCREWED TOLERANCES: 0.0.....+0.5 0.0.....+0.1 0.00.....+0.02	DEBUR AND BREAK SHARP EDGES DIMENSIONS IN MILLIMETERS UNLESS OTHERWISE STATED DO NOT SCALE
DESIGNED BY: M BOTFIELD	DATE: 29/03/2018
THIRD ANGLE PROJECTION	

FINISH:	
WEIGHT: 5004.3	

MICRON GROUP
BROMYARD INDUSTRIAL ESTATE, BROMYARD, HEREFORDSHIRE, HR7 4HS
TEL: 01855 482397 FAX: 01855 483043

TITLE:
CHASSIS ARM SET LH XT CMV SOLENOID

PART NO.:
ZU061S

PROJECT:
ENVIRONMENT

SCALE: 1:2.5 SIZE: A3 SHEET 1 OF 1

REVISION:
4

