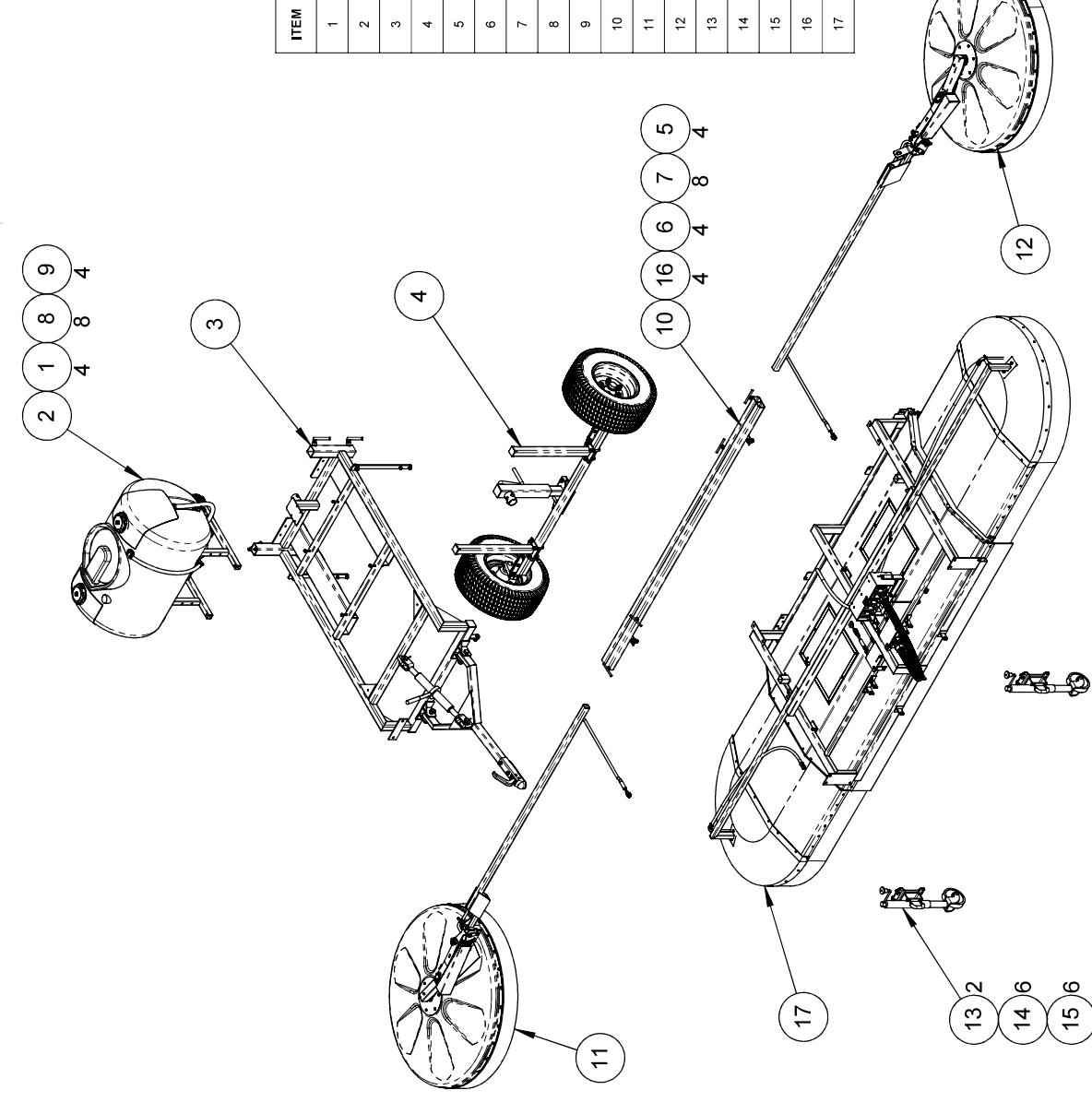


UNSPECIFIED TOLERANCES: 0.0.....±0.5 0.00.....±0.02	DEBRIS AND BREAK SHARP EDGES DIMENSIONS IN MILLIMETERS UNLESS OTHERWISE STATED DO NOT SCALE	MICRON GROUP BROMYARD INDUSTRIAL ESTATE, BROMYARD, HEREFORDSHIRE, HR7 4HS TEL: 01885 482397 FAX 01885 483043
THIRD ANGLE PROJECTION	TITLE: SPRAYDOME SD3049 WITH 2 X SD1200	
DRAWN BY: M BOTFIELD	DATE: 18/05/2018	
MATERIAL:	PART NO. AA901	REVISION 03
FINISH:	PROJECT ENVIROMIST	
WEIGHT: 574400.45	SCALE: 1:30	SIZE: A3
		SHEET 1 OF 2

REVISIONS			
ZONE	REV.	DESCRIPTION	CHECKED BY
	2	AA496A TEXT CHANGE IN DESCRIPTION	MAB
	3	NEW TANK SYSTEM - ASSEMBLY STRUCTURE CHANGED	MAB



ITEM	PART No.	DESCRIPTION	Default/QTY.
1	11845	BOLT, M8 x 100 HEX, A2 (S/S)	4
2	12870	ASSEMBLY, 200L TANK SYSTEM WITH HANDWASH AND RINSE	1
3	12965	ASSEMBLY, ADJUSTABLE SPRAYDOME OVERFRAME	1
4	12971	ASSEMBLY, AXLE, ORCHARD AND VINEYARD SPECIAL 3049	1
5	5177	NUT, M12 NYLOC	4
6	6565	SCREW M12x40	4
7	6567	WASHER, M12 FLAT	8
8	6900	WASHER, M8	8
9	7849	NUT, M8, NYLOC, S/S	4
10	9186	SLIDE TUBES, OUTER	1
11	AA495A	SPRAYDOME XT 1200 RH FOR ORCHARD SPECIAL	1
12	AA496A	SPRAYDOME XT 1200 LH FOR ORCHARD SPECIAL	1
13	ST053	JOCKEY WHEEL, LOCKING SWIVEL	2
14	UF018	BOLT, 3/8" BSW x 1"	6
15	UF029	NUT, 3/8 BSW, NYLOC, BZP	6
16	ZS433	CLAMP BOLT 1/2" BSW	4
17	ZS640	SD3049 BODY COMPLETE CIW 1.2 M HOSE	1



BROMYARD INDUSTRIAL ESTATE, BROMYARD, HEREFORDSHIRE, HR7 4HS
 TEL: 01885 482397 FAX: 01885 483043

TITLE: **SPRAYDOME SD3049 WITH 2 X SD1200**

UNSPECIFIED TOLERANCES:
 0.000.....±0.5
 0.000.....±0.02

DEBUR AND BREAK SHARP EDGES UNLESS OTHERWISE STATED
DO NOT SCALE

THIRD ANGLE PROJECTION

DRAWN BY: **M BOTFIELD** DATE: **18/05/2018**

PART NO. **AA901**
 PROJECT **ENVIROMIST**
 SCALE: 1:30 SIZE: A3 SHEET 2 OF 2

REVISION **03**

WEIGHT: 574400.45