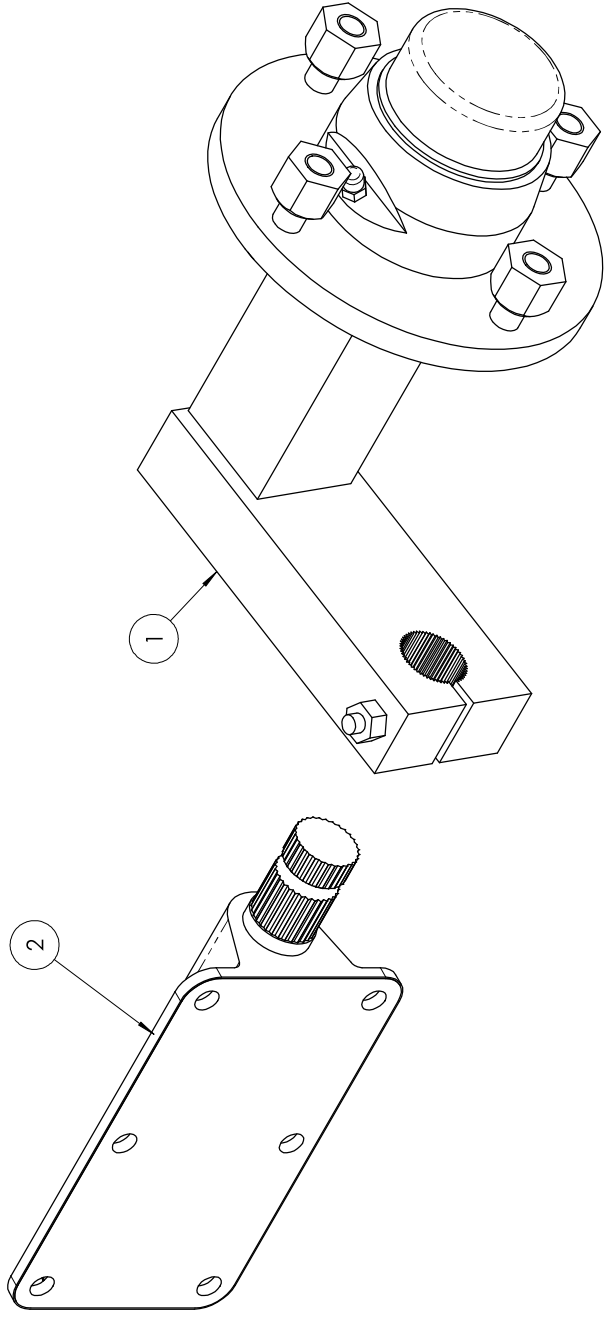


REVISIONS

ZONE	REV.	DESCRIPTION	DATE	AMENDED BY	CHECKED BY
B8	2	BEARIN AND SEAL SERVICE KIT ADDED TO DRAWING	29/06/2020	MAB	



ITEM	PART No.	DESCRIPTION
1	11465	ARM WITH HUB AND STUB AXLE (TO FIT 11464)
2	FS3	SUSPENSION UNIT, 250KG, R-FLEX, 2.90 (FS3)

**AVAILABLE SERVICE SPARES**

**12589**  
**KIT, BEARINGS AND**  
**SEAL, TO FIT HUB 4 X 4"**



BROMYARD INDUSTRIAL ESTATE, BROMYARD, HEREFORDSHIRE, HR7 4HS  
 TEL: 01885 482397 FAX: 01885 483043

TITLE: **SUSPENSION ASSEMBLY 4" X 4**  
**STUD, 250 KG (FOR SD1524)**

UNSPECIFIED TOLERANCES:  
 DEBUR AND BREAK SHARP EDGES  
 DIMENSIONS IN MILLIMETERS  
 0.000.....±0.5  
 0.000.....±0.02  
**DO NOT SCALE**  
 THIRD ANGLE PROJECTION  
 DRAWN BY: **M BOTFIELD**  
 DATE: **17/08/2017**

PART NO. **11464**  
 PROJECT: **ENVIROMIST**  
 SCALE: 2:3  
 WEIGHT: 2190.8  
 SHEET 1 OF 1

REVISION  
**2**