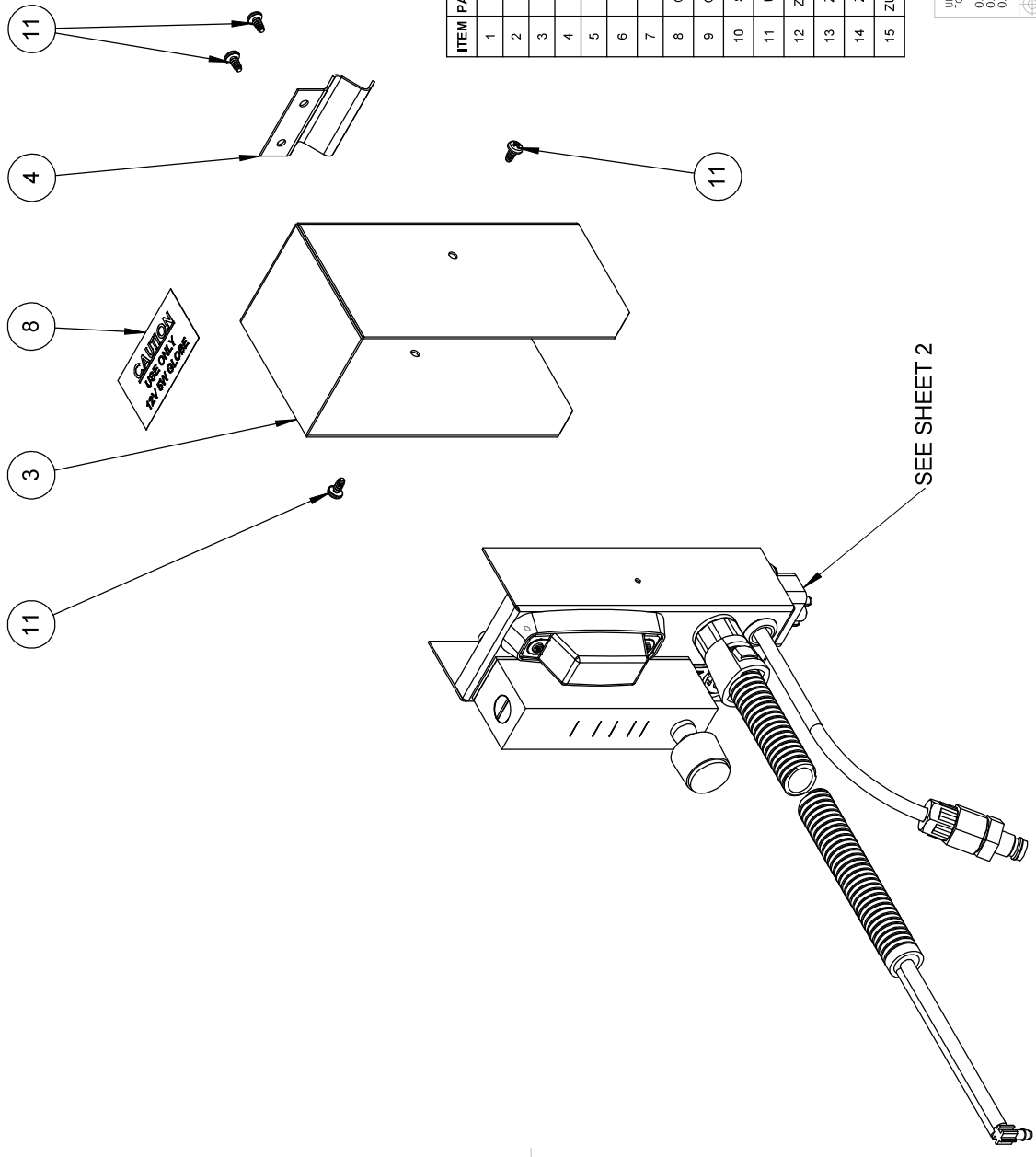


REVISIONS			
ZONE	REV.	DESCRIPTION	CHECKED BY



ITEM	PART No.	DESCRIPTION	SIZE	UNITS
1	10728	FERRULE, CRIMP, BOOTLACE, 1.5 mm		EACH
2	11727	TWLN GREEN WIRE		EACH
3	12666	COVER, OUTER, SINGLE CONTROL BOX (GREY)		EACH
4	12667	REAR CLIP BRACKET		EACH
5	12707	ASSEMBLY, PANEL, SINGLE CONTROL BOX		EACH
6	4368	AUTO CABLE RED	0.140	METRES
7	6388	RECEPTACLE 1/4" F		EACH
8	CB006	LABEL, CAUTION 12V 5W		EACH
9	GE008	AUTO CABLE BLACK	0.140	METRES
10	ST030	PLUG, 3 PIN, SURFACE MOUNTED, COMPLETE		EACH
11	UF048	SCREW, SELF TAP, 6-20 x 3/8" ZP		EACH
12	ZC012A	DIODE ASSEMBLY		EACH
13	ZC062	ASSEMBLY, CONTROL UNIT FEED TUBE		EACH
14	ZE008	CONNECTOR, 3 WAY		EACH
15	ZU031/15	CONTROL HOSE AND CABLE ASSEMBLY 4.5M		EACH

MICRON GROUP
 BROMYARD INDUSTRIAL ESTATE, BROMYARD, HEREFORDSHIRE, HR7 4HS
 TEL: 01885 482397 FAX: 01885 483043

TITLE: CONTROL, SINGLE, (500ml/0.12USg)
 4.5M HOSE AND CABLE

UNSPECIFIED TOLERANCES:
 0.....±0.5
 0.00.....±0.02

DEBRIS AND BREAK SHARP EDGES DIMENSIONS IN MILLIMETERS UNLESS OTHERWISE STATED
DO NOT SCALE

THIRD ANGLE PROJECTION

DRAWN BY: M BOTFIELD DATE: 30/11/2020

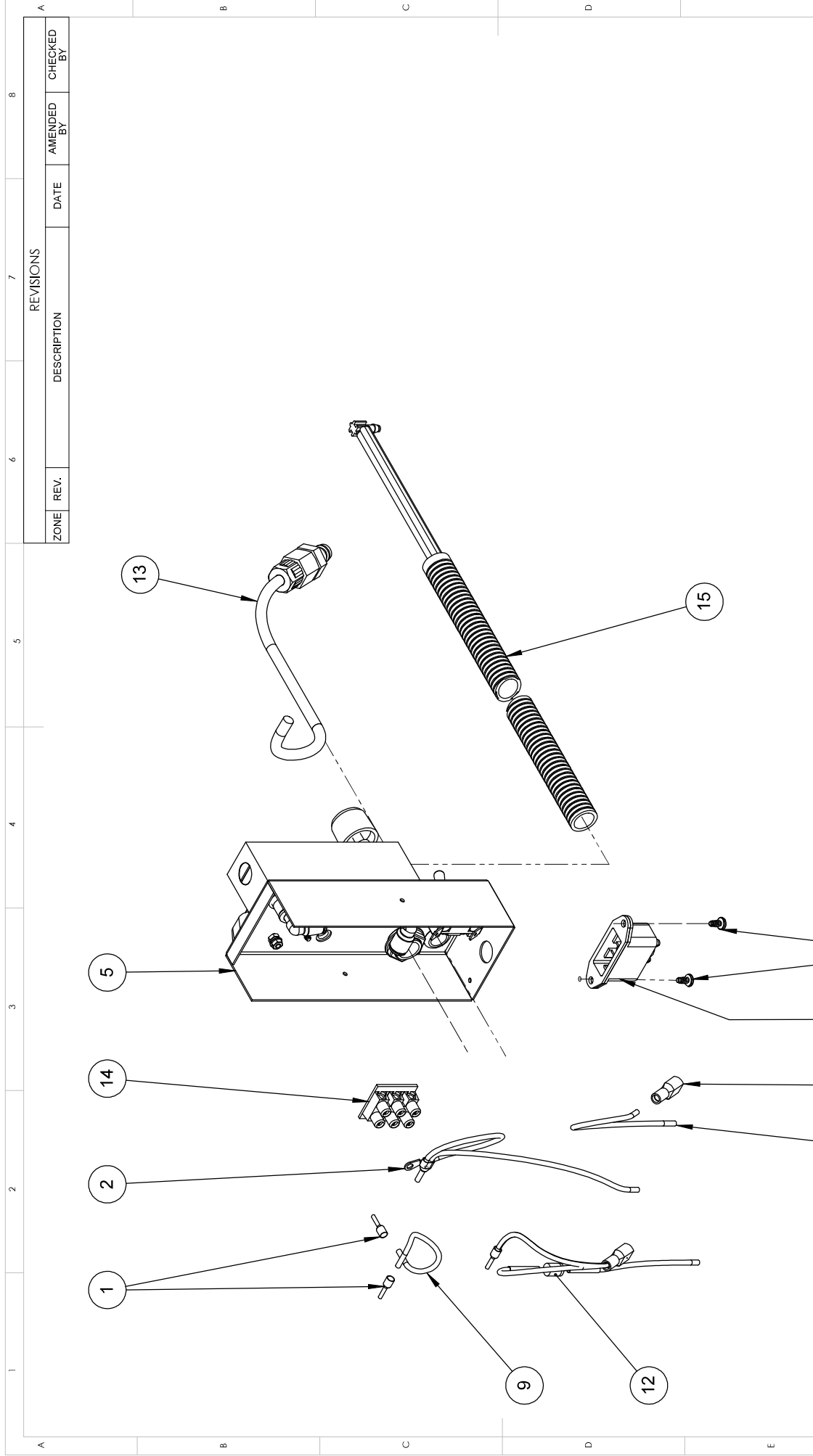
MATERIAL: FINISH:

PART NO. AA249_15
 PROJECT ENVIROMIST

REVISION 01

SCALE: 1:2 SIZE: A3 SHEET 1 OF 2

WEIGHT: 796.3



REVISIONS			
ZONE	REV.	DESCRIPTION	CHECKED BY

<p>MICRON GROUP BROMYARD INDUSTRIAL ESTATE, BROMYARD, HEREFORDSHIRE, HR7 4HS TEL: 01885 482397 FAX: 01885 483043</p>	<p>UNSPECIFIED TOLERANCES: 0.0.....±0.5 0.00.....±0.02</p>	<p>DEBURR AND BREAK SHARP EDGES DIMENSIONS IN MILLIMETERS UNLESS OTHERWISE STATED DO NOT SCALE</p>	<p>TITLE: CONTROL, SINGLE, (500ml/0.12USg) 4.5M HOSE AND CABLE</p>
	<p>THIRD ANGLE PROJECTION</p>	<p>DATE: 30/11/2020</p>	<p>PART NO. AA249_15</p>
<p>DRAWN BY: M BOTFIELD</p>	<p>SCALE: 1:2</p>	<p>PROJECT: ENVIROMIST</p>	<p>REVISION: 01</p>
<p>MATERIAL:</p>	<p>WEIGHT: 518.8</p>	<p>SIZE: A3</p>	<p>SHEET: 2 OF 2</p>