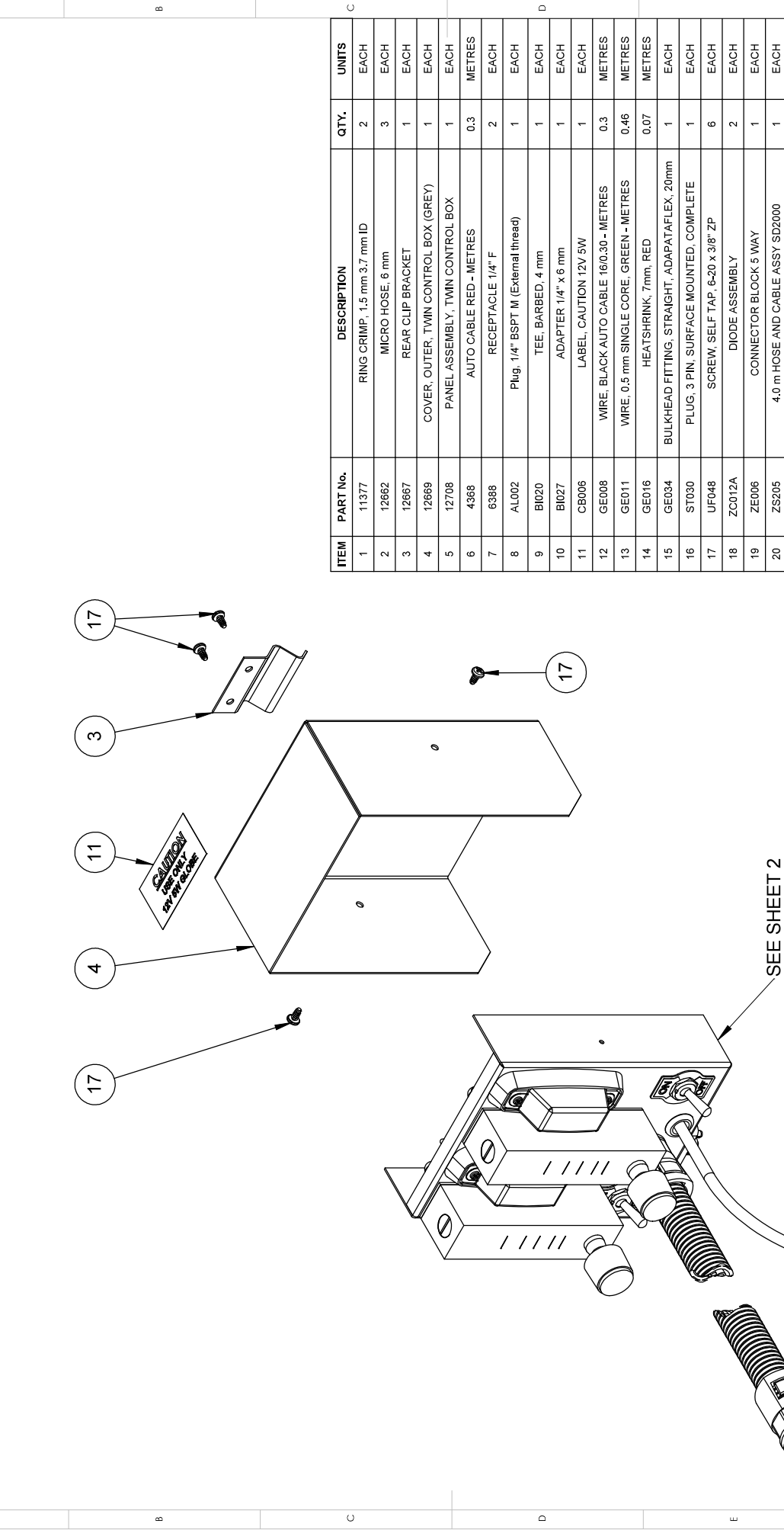


ZONE		REV.		DESCRIPTION		DATE		AMENDED BY		CHECKED BY	
6		7		8		A		B		C	



ITEM	PART No.	DESCRIPTION	QTY.	UNITS
1	11377	RING CRIMP, 1.5 mm 3.7 mm ID	2	EACH
2	12862	MICRO HOSE, 6 mm	3	EACH
3	12867	REAR CLIP BRACKET	1	EACH
4	12868	COVER, OUTER, TWIN CONTROL BOX (GREY)	1	EACH
5	12708	PANEL ASSEMBLY, TWIN CONTROL BOX	1	EACH
6	4368	AUTO CABLE RED - METRES	0.3	METRES
7	6388	RECEPTACLE 1/4" F	2	EACH
8	AL002	Plug, 1/4" BSPT M (External thread)	1	EACH
9	BI020	TEE, BARBED, 4 mm	1	EACH
10	BI027	ADAPTER 1/4" x 6 mm	1	EACH
11	CB006	LABEL, CAUTION 12V 5W	1	EACH
12	GE008	WIRE, BLACK AUTO CABLE 160.30 - METRES	0.3	METRES
13	GE011	WIRE, 0.5 mm SINGLE CORE, GREEN - METRES	0.46	METRES
14	GE016	HEATSHRINK, 7mm, RED	0.07	METRES
15	GE034	BULKHEAD FITTING, STRAIGHT, ADAPATAFLEX, 20mm	1	EACH
16	ST030	PLUG, 3 PIN, SURFACE MOUNTED, COMPLETE	1	EACH
17	UF048	SCREW, SELF TAP, 6-20 x 3/8" ZP	6	EACH
18	ZC012A	DIODE ASSEMBLY	2	EACH
19	ZE006	CONNECTOR BLOCK 5 WAY	1	EACH
20	ZS205	4.0 m HOSE AND CABLE ASSY SD2000	1	EACH

MICRON GROUP
 BROMYARD INDUSTRIAL ESTATE, BROMYARD, HEREFORDSHIRE, HR7 4HS
 TEL: 01885 482397 FAX: 01885 483043

TITLE: CONTROL, TWIN, (500m) / 0.12USg)
 4.0M HOSE AND CABLE

UNSPECIFIED TOLERANCES:
 DIMENSIONS IN MILLIMETERS
 0.0.....±0.5
 0.00.....±0.02

DO NOT SCALE

THIRD ANGLE PROJECTION

DRAWN BY: M BOTFIELD DATE: 22/09/2020

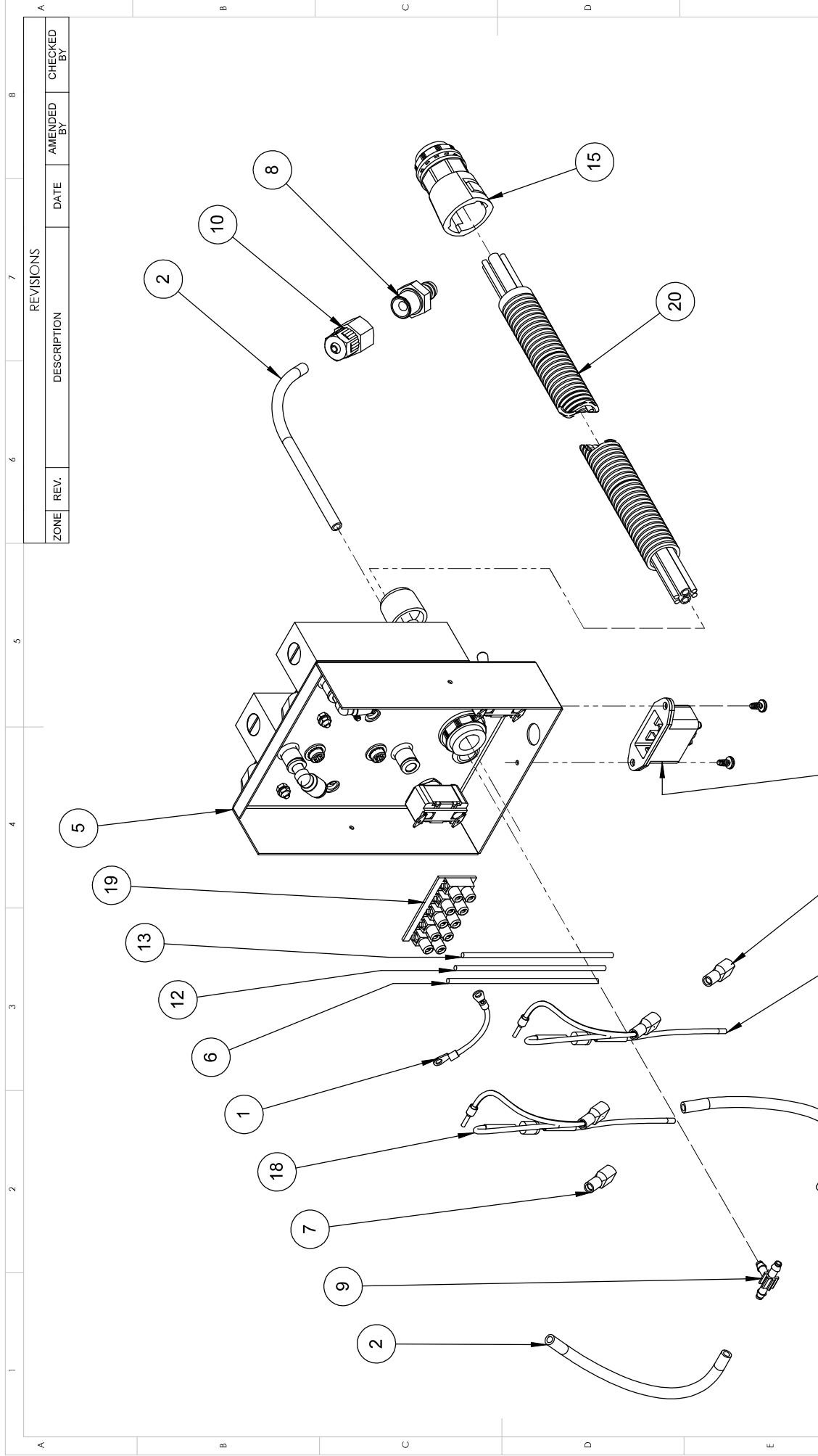
MATERIAL: FINISH:

WEIGHT: 1243.8

PART NO. AA247A_13
 PROJECT ENVIROMIST

REVISION 01

SCALE: 1:2 SIZE: A3 SHEET 1 OF 2



REVISIONS			
ZONE	REV.	DESCRIPTION	CHECKED BY

	MICRON GROUP BROMYARD INDUSTRIAL ESTATE, BROMYARD, HEREFORDSHIRE, HR7 4HS TEL: 01885 482397 FAX: 01885 483043	
	TITLE: CONTROL, TWIN, (500m / 0.12USg) 4.0M HOSE AND CABLE	
UNFINISHED DIMENSIONS: 0.000.....±0.5 0.000.....±0.02	DEBUR AND BREAK SHARP EDGES UNLESS OTHERWISE STATED DO NOT SCALE	THIRD ANGLE PROJECTION
DRAWN BY: M BOTFIELD	DATE: 22/09/2020	PART NO.: AA247A_13
MATERIAL:	FINISH:	PROJECT: ENVIROMIST
WEIGHT: 1243.8		SCALE: 1:2
FOR COVER DETAILS SEE SHEET 1 FOR WIRING DETAILS REFER TO WIRING DIAGRAM 11726		REVISION: 01
SHEET 2 OF 2		SIZE: A3