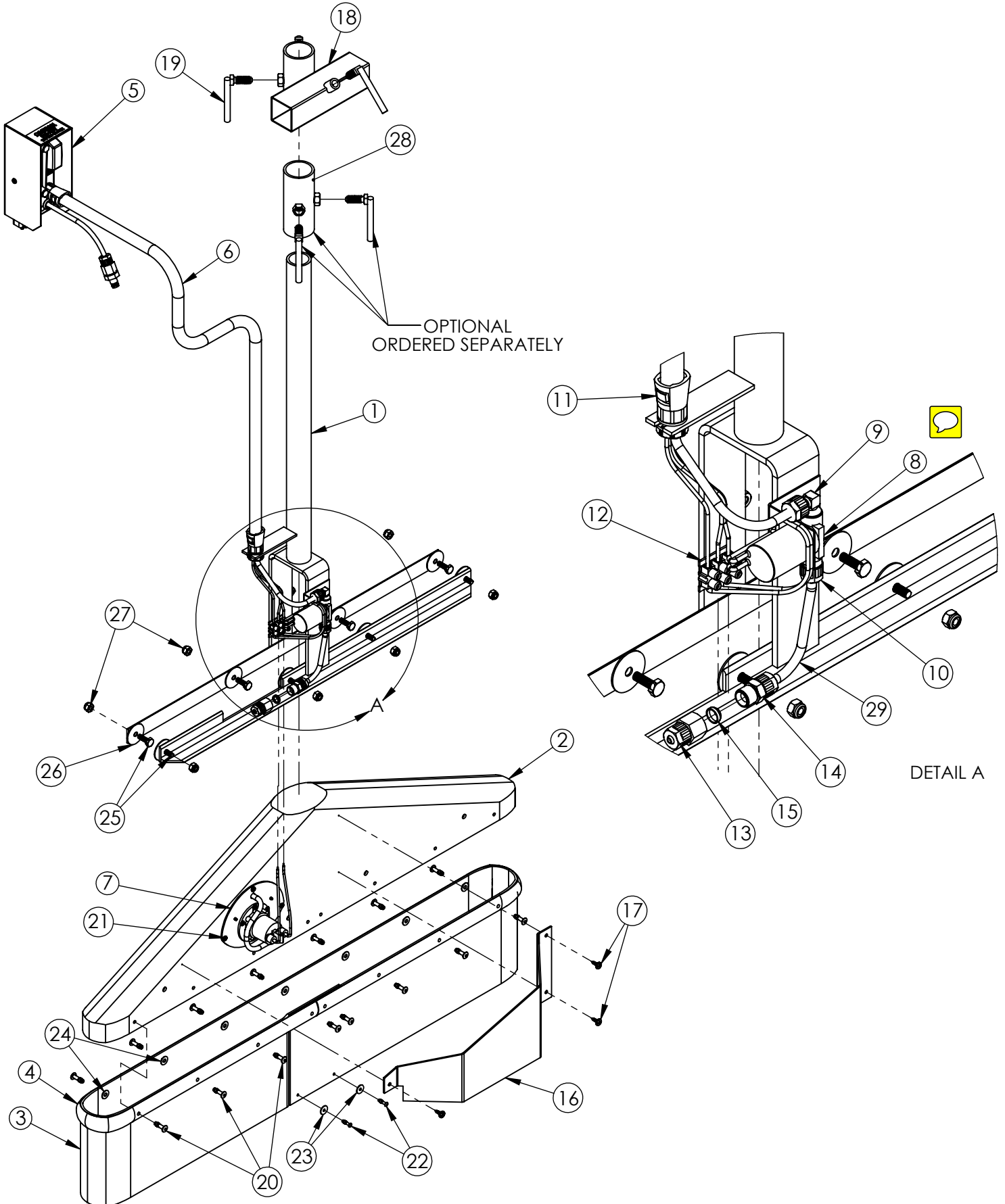


# ENVIROMIST

INDUSTRIES PTY. LTD.

## AA374 Vegemiser (80mm) complete with 3.3m Hose and Cable Assembly



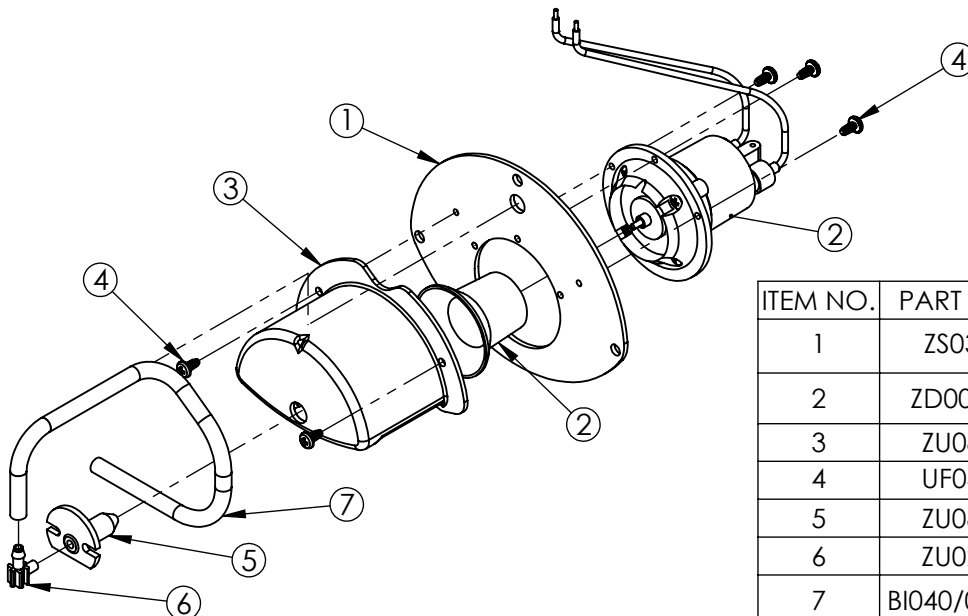
# ENVIROMIST

INDUSTRIES PTY. LTD.

## AA374 Vegemiser (80mm) complete with 3.3m Hose and Cable Assembly

ITEM NO.	PART NO.	DESCRIPTION	QUANTITY
1	ZV020	Vegemiser (80mm) Mounting Tube	1
2	ZD027	Vegemiser (80mm) Shroud	1
3	ZV021	Vegemiser (80mm) - Rubber Skirt	1
4	ZV022	Vegemiser (80mm) - Aluminium Strip	1
5	AA249	Single Control Box 30 Lph with no restrictor	1
6	ZU031	3.3m Control Hose & Cable Assembly	1
7	AA002	Spraymiser CDA & Head Bracket Set	1
8	BI044	1/8" BSP 2 Way Solenoid with Manual Over-ride	1
9	AL027	6mm x 1/8" BSP Male Elbow	1
10	AL014	1/8" BSP x 6mm Adaptor	1
11	GE038	16mm Nylon Straight Fitting	1
12	ZE008	3 Way Connector	1
13	BI027	Adaptor - 1/4" x 6mm	1
14	BI028	Male Adaptor - 1/4" x 6mm	1
15	ZU030	Restictor No. 8	1
16	RS091	Guard	1
17	UF054	10AB x 1/2" ZP Self Tap	3
18	ZV004	Mounting Sleeve for Vegedome & Spraymiser	1
19	ZU015	Clamp Bolt	5
20	UF035	6-8 Pop Rivet	15
21	UF048	6/20 x 3/8" ZPGT Self Tap	3
22	UF046	73 AS 4-8 Pop Rivet	2
23	UF202	1/8 x 1/2 x 20g ZP Flat Washer	4
24	UF002	3/16" x 1/2" x 20G ZP Flat Washer	15
25	UF016	1/4 x 3/4 Set Screw	8
26	UF053	1/4" x 1 1/4" x 16G ZC Flat Washer	8
27	UF028	1/4" BSW ZC Nyloc Nut	8
28	ZV018	Mounting Sleeve (weld on) for Vegemiser	1
29	BI040/0.100	6mm Micro Hose x 100mm	1

## AA002 Spraymiser CDA and Head Bracket Set



ITEM NO.	PART NO.	DESCRIPTION	QUANTITY
1	ZS030	Spraymiser 1200 CDA Mount Plate	1
2	ZD004A	250/400 CDA V1 (incl ZU082)	1
3	ZU083	Recirculation Cover	1
4	UF048	6/20 x 3/8" ZPGT Self Tap	5
5	ZU089	Feed Nozzle - Modified	1
6	ZU023	Elbow - EB4 Cut	1
7	BI040/0.260	6mm Micro Hose x 260mm	1