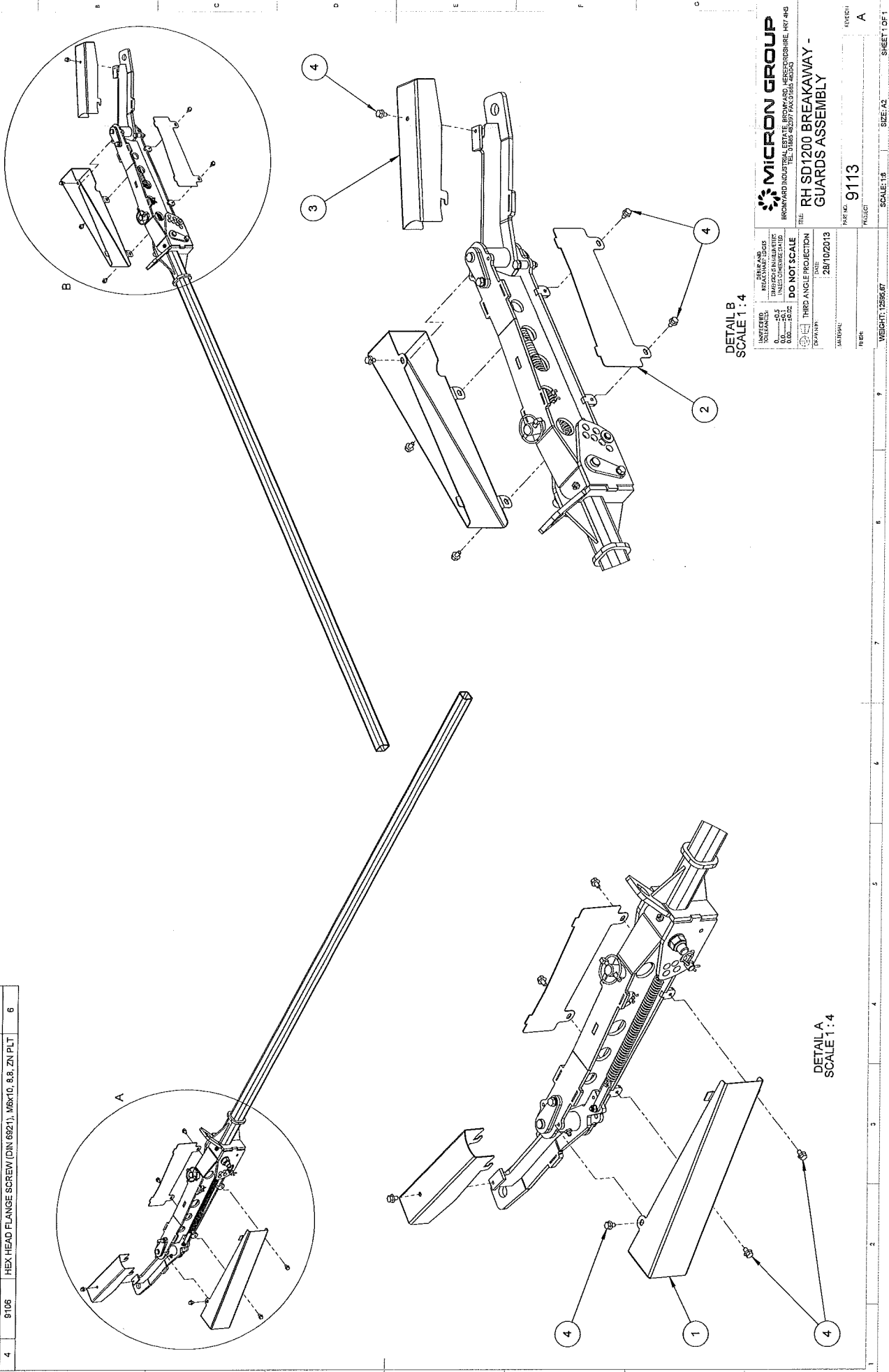


ZONE	REV.	DESCRIPTION	DATE	AWARDED BY	CHECKED BY
	A		28/10/2013		

ITEM	PART No.	DESCRIPTION	QTY.
1	9190	CHASSIS ARM RH FRONT GUARD	1
2	9072	CHASSIS ARM REAR GUARD	1
3	9073	PIVOT ARM GUARD	1
4	9106	HEX HEAD FLANGE SCREW (DIN 6921), M6x10, 8.8, ZN, PLT	6



DETAIL B
SCALE 1:4

DETAIL A
SCALE 1:4

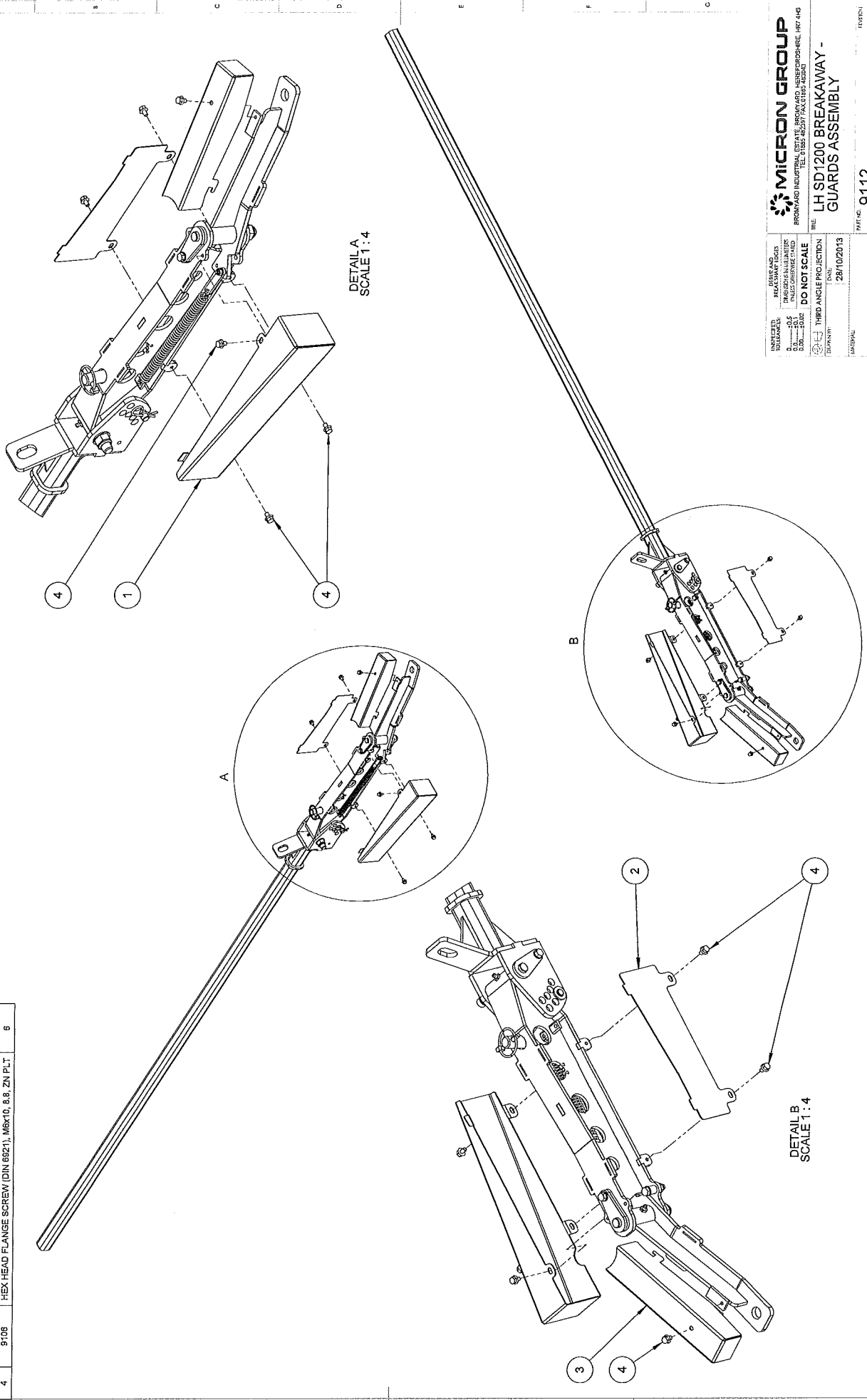
MICRON GROUP
 MICRON INDUSTRIAL ESTABLISHMENT, BANGKOK, THAILAND
 TEL: 02-262-8277 FAX: 02-262-8280

RH SD1200 BREAKAWAY - GUARDS ASSEMBLY

DATE: 28/10/2013
 PROJECT: 9113
 SCALE: 1:8
 WEIGHT: 1256.67
 SHEET: OF 1

REVISIONS		DATE	AMENDED BY	CHECKED BY
ZONE	REV.	DESCRIPTION		
	A			

ITEM	PART No.	DESCRIPTION	QTY.
1	5071	CHASSIS ARM LH FRONT GUARD	1
2	9072	CHASSIS ARM REAR GUARD	1
3	9073	PIVOT ARM GUARD	1
4	9'08	HEX HEAD FLANGE SCREW (DN 6921), M6x10, 8.8, ZN P.L.T.	6



DETAIL A
SCALE 1:4

DETAIL B
SCALE 1:4

MICRON GROUP
 PROWARD INDUSTRIES
 TEL: 01222 452071 FAX: 01222 452072

LH SD1200 BREAKAWAY - GUARDS ASSEMBLY

ITEM NO: 287102013
 DATE: 28/10/2013

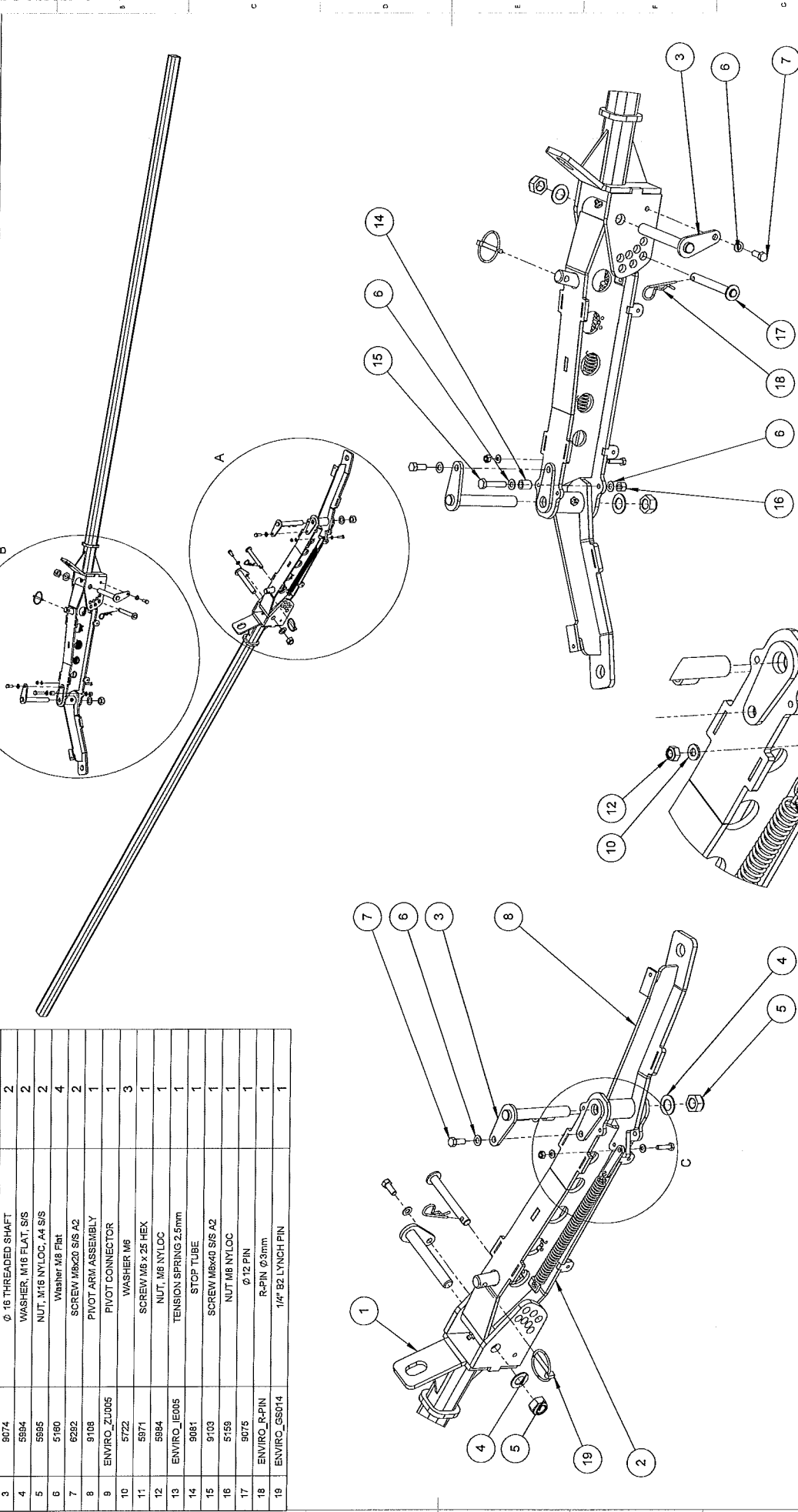
SCALE: 1:8
 WEIGHT: 12566.67

PART NO: 9112
 PROJECT: A

ITEM	PART No.	DESCRIPTION	QTY.
1	9068	INNER SLIDE	1
2	9107	CHASSIS ARM ASSEMBLY	1
3	9074	Ø 16 THREADED SHAFT	2
4	5694	WASHER, M16 FLAT, SIS	2
5	5695	NUT, M16 NYLOC, A4 SIS	2
6	5160	Washer M8 Flat	4
7	6292	SCREW M8x20 SIS A2	2
8	9108	PIVOT ARM ASSEMBLY	1
9	ENVIRO_ZU005	PIVOT CONNECTOR	1
10	5722	WASHER M6	3
11	5971	SCREW M6 x 25 HEX	1
12	5694	NUT, M6 NYLOC	1
13	ENVIRO_LE005	TENSION SPRING 2.5mm	1
14	9081	STOP TUBE	1
15	9103	SCREW M8x40 SIS A2	1
16	5159	NUT M8 NYLOC	1
17	9075	Ø 12 PIN	1
18	ENVIRO_R-PIN	R-PIN Ø3mm	1
19	ENVIRO_SS014	1/4" B2 LYNCH PIN	1

REVISIONS		
ZONE	REV.	DESCRIPTION
	A	

DATE	28/10/2013
AMENDED BY	
CHECKED BY	



MICRON GROUP
 BROWARD INDUSTRIAL PARK, 10000 W. STATE ROAD 10, FT. LAUDERDALE, FL 33351, USA
 TEL: 352.437.7300 FAX: 352.437.8300

SD1200 BREAKAWAY - MECHANICAL COMPONENTS ASSEMBLY

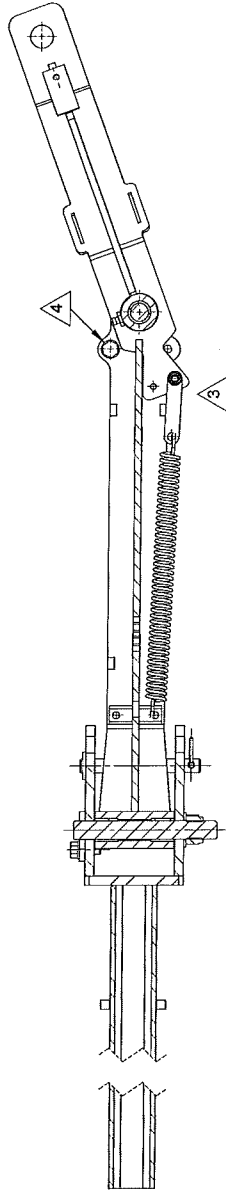
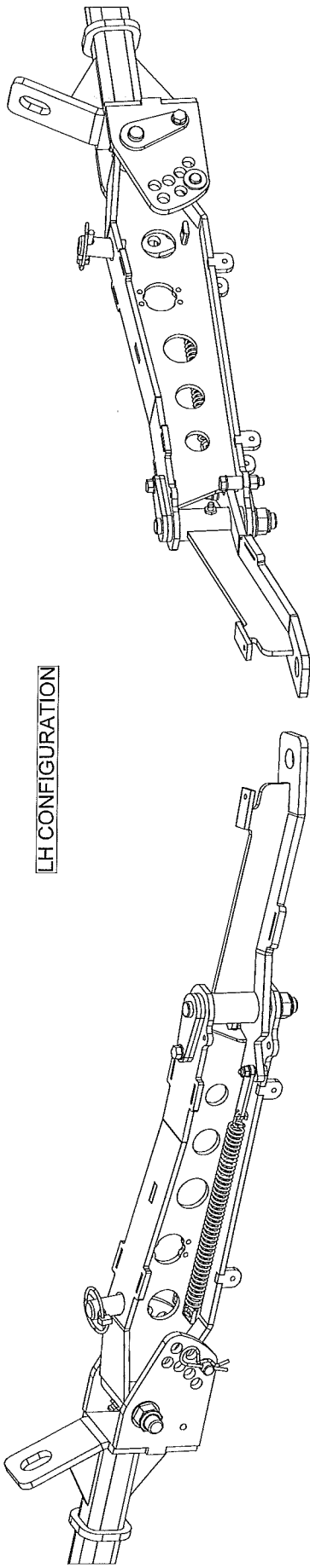
DATE: 28/10/2013
 THIRD ANGLE PROJECTION
 DO NOT SCALE

PART No: 9109
 PROJECT: A

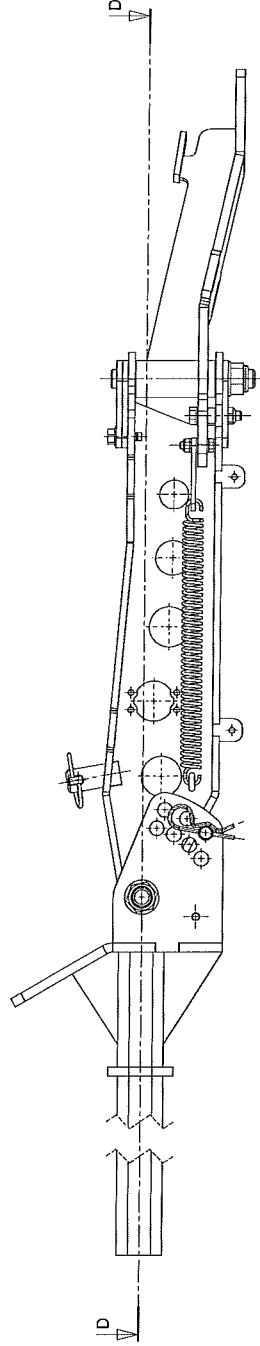
WEIGHT: 12385.4g
 SCALE: 1:10
 SIZE: A2
 SHEET 0F 3

NOTES:
 1 SEE PAGE 2 FOR DETAILS OF LEFT HAND CONFIGURATION
 2 SEE PAGE 3 FOR DETAILS OF RIGHT HAND CONFIGURATION

LH CONFIGURATION



SECTION D-D

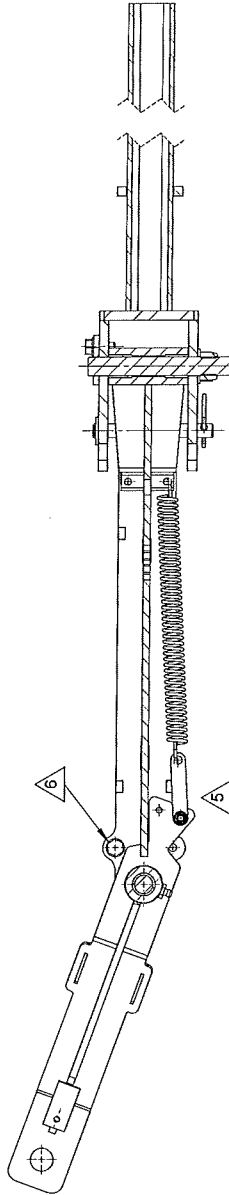
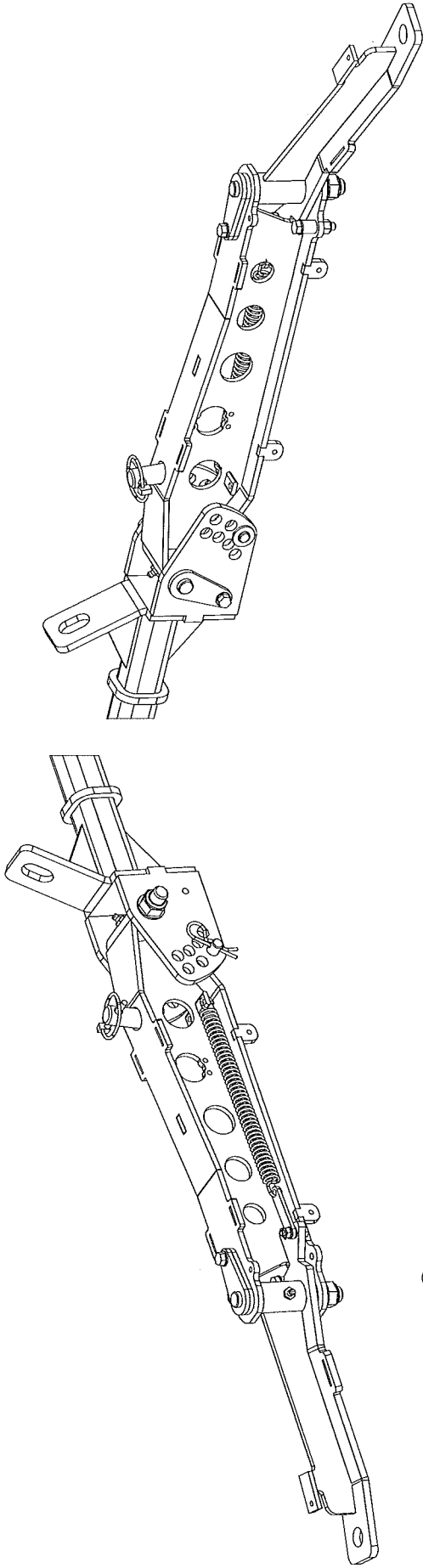


NOTES:

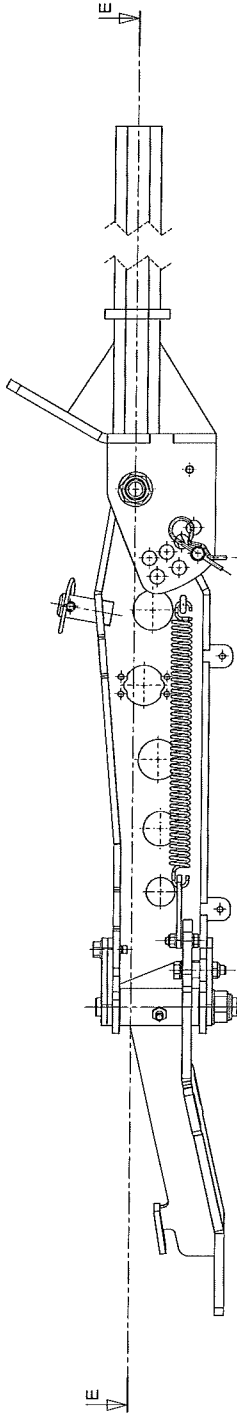
- 3 ZLJ005, JED005, 9108 AND THEIR FIXINGS MUST BE POSITIONED AT THE FRONT OF 9107 (TRACTOR OR ATV SIDE)
- 4 9081 AND ITS FIXINGS MUST BE POSITIONED AT THE REAR OF 9107

		HOWARD INDUSTRIAL TEL: 01223 757000 FAX: 01223 757001 1000 WOODSIDE DRIVE, WOODSIDE, WILTSHIRE, MK7 4JG	
DRAWING NO: BREAKAWAY BRGS 9109 1:1 20/10/2013	TITLE: SD1200 BREAKAWAY - MECHANICAL COMPONENTS ASSEMBLY	PART NO: 9109	PROJECT: A
DRAWN BY: THIRD ANGLE PROJECTION 20/10/2013	CHECKED BY: 20/10/2013	PARTIAL:	SCALE: 1:1
WEIGHT: 12085.48	SHEET 2 OF 3	SIZE: A2	SHEET 2 OF 3

RH CONFIGURATION



SECTION E-E



NOTES:

- 5 ZU005, IE005, 9108 AND THEIR FIXINGS MUST BE POSITIONED AT THE FRONT OF 9107 (TRACTOR OR ATV SIDE)
- 6 9081 AND ITS FIXINGS MUST BE POSITIONED AT THE REAR OF 9107

		MICRON GROUP BROWHARD INDUSTRIAL SYSTEMS TEL: 01223 55177 FAX: 01223 55153	
DRAWING NO: 281102013 REV: 01 DATE: 28/10/2013 DESIGNED BY: [blank] CHECKED BY: [blank]	PROJECT: 9109 SHEET: 3 OF 3	TITLE: SD1200 BREAKAWAY - MECHANICAL COMPONENTS ASSEMBLY	PROJECT: 9109 SHEET: 3 OF 3
SCALE: 1:1		SCALE: 1:1	