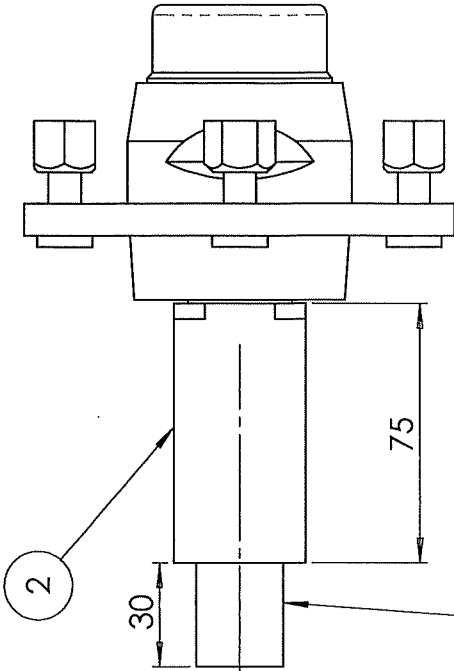
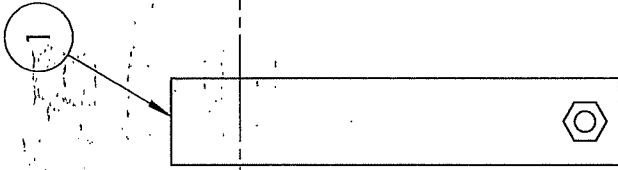
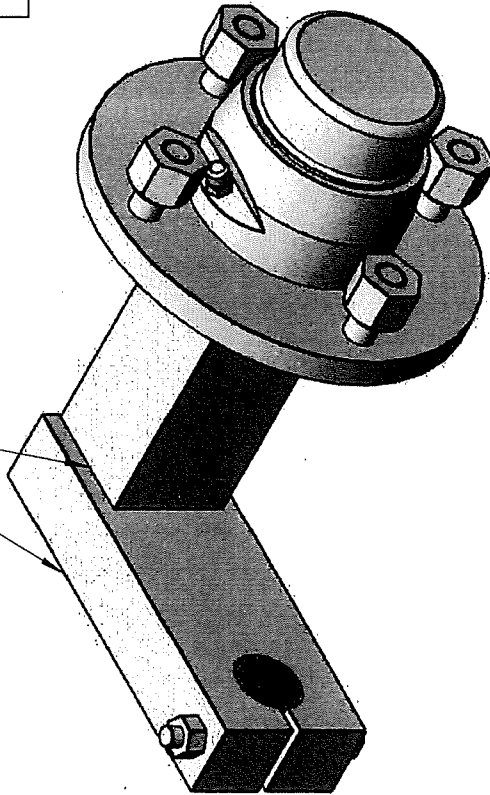


ITEM	PART No.	DESCRIPTION
1	FSA3	SPLINED ARM No 2, 90 mm CENTRES
2	11463	AXLE 38 sq X 203 LENGTH HA505 4 STUD 4"



WELD TOGETHER ALL ROUND BOTH SIDES



F 100 Truck Hub

**MICRON GROUP**  
 BROMYARD INDUSTRIAL ESTATE, BROMYARD, HEREFORDSHIRE, HR7 4HS  
 TEL: 01885 462397 FAX: 01885 483043

TITLE: **ARM WITH HUB AND STUB AXLE (TO FIT 11464)**

PART NO: **11465**  
 PROJECT: **ENVIROMIST**

REVISION: **2**

UNSPECIFIED TOLERANCES:  
 0 ..... ±0.5  
 0.0 ..... ±0.1  
 0.00 ..... ±0.02

DEBUR AND BREAK SHARP EDGES  
 DIMENSIONS IN MILLIMETERS  
 UNLESS OTHERWISE STATED

**DO NOT SCALE**  
 THIRD ANGLE PROJECTION

DATE: 17/08/2017

DRAWN BY: M BOTFIELD

MATERIAL:

FINISH:

WEIGHT: 615.0

SCALE: 1:2

SIZE: A4

SHEET 1 OF 1