

2.3 Carriage Frame Assembly

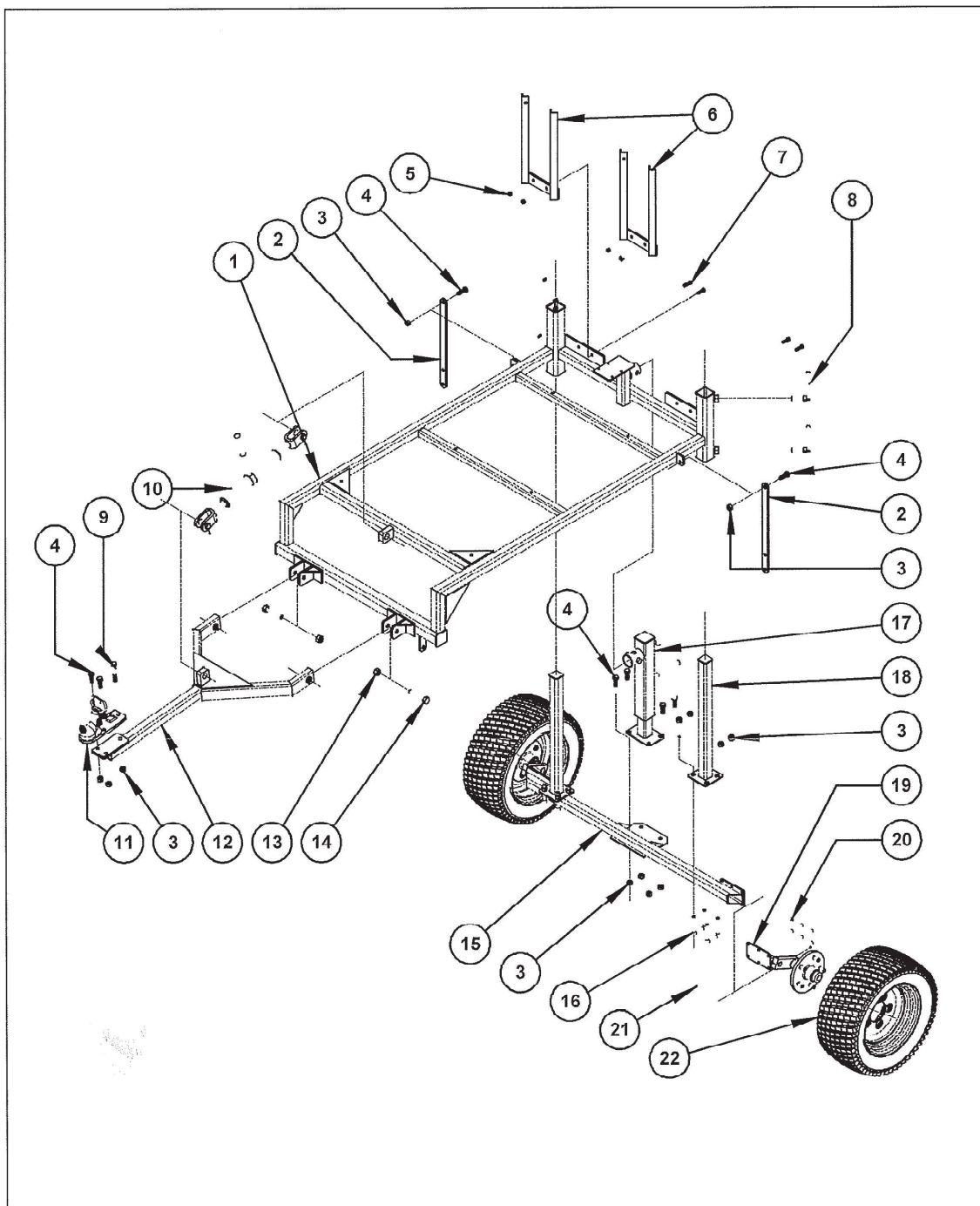


Figure 4 – Carriage Frame Assembly

Carriage Frame Assembly Parts List

ITEM	PART NO.	DESCRIPTION	QTY
1	9131	SD3049 CARRIER FRAME	1
2	9139	REAR HEIGHT ADJUSTMENT ARM	2
3	UF030	NUT, 1/2" BSW NYLOC ZC	17
4	UF037	BOLT, 1-2BSWx1-1-2 ZC	8
5	UF029	NUT, 3/8 BSW, NYLOC, BZP	4
6	9135	SMALL TANK MOUNT	2
7	UF019	BOLT, 3/8" BSW X 1 1/4"	4
8	10607	CLAMP BOLT 5/8" x 2"	4
9	UF038	1/2"BSW x 3"1/2 ZC HEX BOLT - 1"3/8 LG THREAD	1
10	10603	RATCHET (FRONT HEIGHT ADJUSTMENT)	1
11	10606	TOW EYE	1
12	9134	TOW BAR A FRAME	1
13	UF069	5/8" BSW ZC NYLOC NUT	2
14	UF093	5/8"BSW x 3"1/2 ZC HEX BOLT - 1"5/8 LG THREAD	2
15	9133	WHEEL MOUNT	1
16	SC005	U-BOLT, M10 (WHEEL MOUNT)	4
17	10609	JACK, REAR HEIGHT ADJUSTMENT <i>AG001</i>	1
18	9132	VERTICAL SUPPORT, WHEEL MOUNT	2
19	ZS283	SUSPENSION ASSEMBLY, WITH FIXINGS AND WHEEL NUTS	2
20	UF052	NUT, NYLOC, 5/16 BSW	6
21	UF041	SET SCREW, 5/16 BSW x 1 zp	6
22	ST045	WHEEL AND TYRE ASSEMBLY, 23 x 10.5-12	2