

3 PLUMBING, ATOMISERS AND ANCILLARIES

3.1 Tank System Components

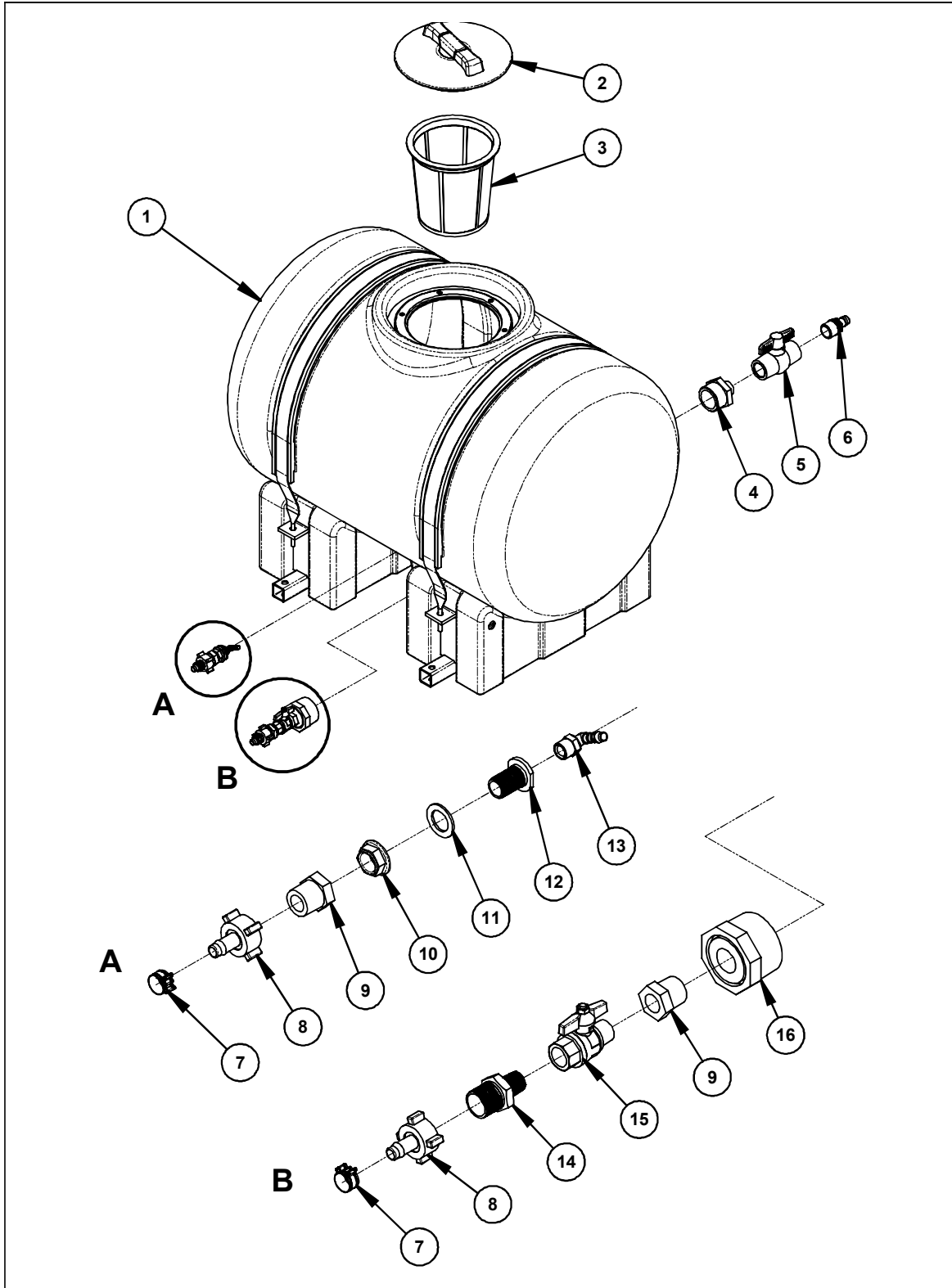


Figure 6 – Tank System Components

Tank System Components Parts List

ITEM	PART NO.	DESCRIPTION	QTY
1	TP001	200 LITRE TANK WITH MOUNT, CAP AND BASKET	1
2	TP003	LID	1
3	TP004	STRAINER BASKET	1
4	BI048	ADAPTER, 2" x 1" M/F	1
5	BI046	BALL VALVE, 1", PVC	1
6	BI045	HOSE BARB, 3/4" x 1" BSP	1
7	NH006	HOSE CLIP, 17 mm	2
8	BI023	HOSE BARB, (NUT AND TAIL) N3412	2
9	BI006	ADAPTER, 3/4" x 1/2" M/F	2
10	HN009	BACK NUT, 1/2"	1
11	HN010	SEAL, BACK NUT, 1/2"	1 ¹
12	ZT034	FLANGE, BULKHEAD, 1/2"	1 ¹
13	AL037	HOSE BARB, ELBOW, 8 mm x 3/8 BSP	1 ¹
14	BI010	ADAPTER, 3/4" x 1/2" M/M	1
15	BI081	BALL VALVE, 15 mm, M/F, BRASS	1
16	BI042	ADAPTER, 2" x 3/4" M/F	1

¹ Fitted to inside of tank