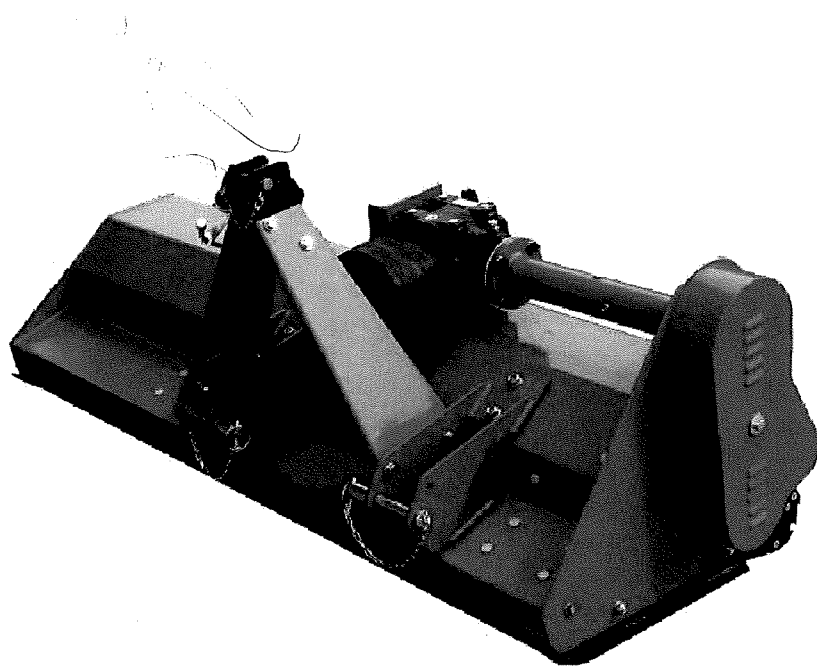




OPERATOR'S MANUAL MIDDLE DUTY FLAIL MOWER



**Model: EFGC105, EFGC115, EFGC125, EFGC135, EFGC145, EFGC155, EFGC165,
EFGC175, EFGC185, EFGC195**



**CAUTION: Read Manual Thoroughly
Before Operation**



شهادة - 증명서 - Certificat - 證明書 - Сертификат - Certificate

Attestation of Compliance

No. 0A120927/JBM1392



Certificate's Holder: **Jiangyin Bowell Machinery Technology Co.,Ltd.**

No.85 Xi Li Road, Li Gang Town, Jiang Yin, JiangSu, China

Product:
Model(s):

Mower

**EFGC MOWER; ATV MOWER; EF MOWER;
EFG MOWER; EFH MOWER; FM MOWER;
BCR MOWER; BCS MOWER; DRM MOWER;
TM MOWER; DP MOWER; DPS MOWER;
AGF MOWER; AGL MOWER; BCRL MOWER;
MFL MOWER; MFZ MOWER; MBL MOWER;
MFH MOWER; MBH MOWER; MBZ MOWER;
EFGCH MOWER; DS MOWER**

Directives:

2006/42/EC Machine

Standards:

EN ISO 12100:2010, EN ISO 4254-12:2012

Remark: This document has been issued upon a review of the datasheets and of the Technical Construction File. The apparatus is considered to meet the requirements of the above standards, therefore to fulfill the requirements of the above listed Directives.

This Document is only valid for the equipment and configuration described and in conjunction with the test data detailed above. Nevertheless the Manufacturer is not exempted to perform all the necessary activities before issuing the Declaration of Conformity. In case the appliance is modified or the appliance will be equipped with Accessories not specified in the Manufacturer Operator Manual, it is recommended to get in touch with Ente Certificazione Macchine for EC validity extension.

Date of issue **SEPTEMBER 2012**



Expiry date **26/09/2017**



Ente Certificazione Macchine S.R.L.

Via Mincio,386 - 41056 Savignano s/P. (MO) - ITALY -

☎ +39 059 763736 ☎ +39 059 766306 ☎ +39 059 761938 ✉ info@entecerma.it 🌐 www.entecerma.it

CONTENTS

CONTENTS	1
PRODUCT SPECIFICATIONS.....	2
SAFETY INSTRUCTIONS.....	3
SAFETY TRAINING.....	5
ASSEMBLY INSTRUCTIONS.....	12
SIZING PTO SHAFT.....	15
OPERATION INSTRUCTION.....	16
SERVICE AND MAINTENANCE.....	18
PARTS LIST.....	21
BOWELL Implement Warranty.....	26

PRODUCT SPECIFICATIONS

Product Models

EFGC SERIES FLAIL MOWER MODELS

Model	EFGC-105	EFGC-125	EFGC-145	EFGC-155	EFGC-165	EFGC-175
Apply to tractors	18-28hp	20-35hp	25-35hp	30-40hp	35-55hp	35-55hp
3-Point Linkage:	Cat. 1	Cat. 1	Cat. 1	Cat. 1	Cat. 1	Cat. 1
Length:	790mm	790mm	790mm	790mm	790mm	790mm
Width:	1170mm	1370mm	1570mm	1670mm	1770mm	1870mm
Height:	850mm	850mm	850mm	850mm	850mm	850mm
Weight:	230kg	250kg	270kg	280kg	290kg	300kg
Cutting width:	1050mm	1250mm	1450mm	1550mm	1650mm	1750mm
PTO	540r/min	540r/min	540r/min	540r/min	540r/min	540r/min
NO. Hammer	16	20	24	24	28	28
NO. Belts	2	2	2	3	3	3

SAFETY INSTRUCTIONS



Before operating the Flail mower read the following safety instructions. Failure to comply with these warnings may result in serious **injury** or **death**.

READ AND FOLLOW THE READ AND FOLLOW THE ESPECIALLY IN THE SAFETY SECTION. FAILURE TO DO SO CAN RESULT IN SERIOUS INJURY OR DEATH.

SIGNAL WORDS: The signal words **DANGER**, **WARNING** and **CAUTION** are used with the safety messages in this manual and with each safety sign. They are defined as follows:

DANGER: Indicates an immediate hazardous situation that, if not avoided, could result in serious injury or death. This signal word is to be limited to the most extreme situations typically for machine components that, for functional purposes, cannot be guarded.

WARNING: Indicates a potentially hazardous situation that, if not avoided, could result in serious injury or death, and includes hazards that are exposed when guards are removed. It may also be used to alert against unsafe practices.

CAUTION: Indicates a potentially hazardous situation that, if not avoided, may result in minor or moderate injury. It may also be used to alert against unsafe practice.

EQUIPMENT SAFETY GUIDELINES

- Safety of the operator and bystanders is one of the main concerns in designing and developing a mower. However, every year accidents occur which could have been avoided by a few seconds of thought and a more careful approach to handling equipment. You, the operator, can avoid many accidents by observing the following precautions and insist those working with you, or for you, follow them.
- In order to provide a better view, certain photographs or illustrations in this manual may show an assembly with a safety shield removed. However, equipment should never be operated in this condition. Keep all shields in place. If shield removal becomes necessary for repairs, replace the shield prior to use.
- Replace any safety sign that is not readable or missing. Location of such safety signs are indicated in this manual.

SAFETY INSTRUCTIONS

- Never use alcoholic beverages or drugs that can hinder alertness or coordination while operating this equipment. Consult your doctor about operating this machine while taking prescription medications.
- **Under no circumstances should children under the age of 18 be allowed to work with this equipment. Do not allow persons to operate or assemble this unit until they have read this manual and have developed a thorough understanding of the safety precautions and how it works.** Review the safety instructions with all users annually.
- This equipment is dangerous to children and persons unfamiliar with its operation. The operator should be a responsible, properly trained and physically able person familiar with farm machinery and trained in this equipment's operations. If the elderly are assisting with farm work, their physical limitations need to be recognized and accommodated.
- Use a tractor equipped with a Roll Over Protective System and seat belts. (ROPS)
- Never exceed the limits of a piece of machinery. If its ability to do a job, or to do so safely, is in question-**DON'T TRY IT.**
- Do not modify the equipment in any way. Unauthorized modification could result in serious injury or death and may impair the function and life of the equipment.
- In addition to the design and the confirmation of this implement, including safety signs and safety equipment, hazard control and accident prevention are dependent upon the awareness, concern, prudence, and proper training of personnel involved in the operation, transport, maintenance, and storage of the machine. Refer also to safety messages and operation instruction in each of the appropriate sections of the tractor and mower manuals. Pay close attention to the safety signs affixed to the tractor and the mower.

SAFETY TRAINING

- Safety is a primary concern in the design and manufacturing of our product. Unfortunately, our efforts to provide safe equipment can be wiped out by a single careless act of an operator or bystander.
- In addition to the design and configuration of equipment, hazard control and accident prevention are dependent upon the awareness, concern, prudence and proper training of personnel involved in the operation, transport, maintenance and storage of this equipment.
- It has been said, "The best safety device is an informed, careful operator." We ask you to be that kind of operator. It is the operator's responsibility to read and understand all safety and operating instructions in the manual and to follow them. Accidents can be avoided.
- Working with unfamiliar equipment can lead to careless injuries. Read this manual, and the manual for your tractor, before assembly or operating, to acquaint yourself with the machines. If this machine is used by any person other than you, or is loaned or rented, it is the Flail mower owner's responsibility to make certain that the owner's manual be available to the operator prior to operating:
 - 1-Reads and understands the operator's manuals.
 - 2-Is instructed in safe and proper use.
- Know your controls and how to stop the tractor, engine, and mower quickly in an emergency. Read this manual and the one provided with your tractor.
- Train all new personnel and review instructions frequently with existing workers. Be certain only a properly trained and physically able person will operate the machinery. A person who has not read and understood all operating and safety instructions is not qualified to operate the machine. An untrained operator exposes himself and bystanders to possible serious injury or death. If the elderly are assisting with farm work, their physical limitations need to be recognized and accommodated.

SAFETY TRAINING

PREPARATION

- Never operate the tractor and mower until you have read and completely understand this manual, the Tractor Operator's Manual, and each of the safety messages found on the safety signs on the tractor and mower.
- Personal protection equipment including hardhat, safety glasses, safety shoes, and gloves are recommended during assembly, installation, operation, adjustment, maintenance, repairing, removal, or moving the implement. Do not allow long hair, loose fitting clothing, or jewelry to be around equipment.
- **PROLONGED EXPOSURE TO LOUD NOISE MAY CAUSE PERMANENT HEARING LOSS!** Tractors with or without mowers attached can often be noisy enough to cause permanent, partial hearing loss. We recommend that you wear hearing protection on a full-time basis if the noise in the operator's position exceeds 80 db. Noise over 80 db on a long-term basis can cause severe hearing loss. Noise over 90 db adjacent to the operator over a long-term basis may cause permanent, total hearing loss. **NOTE:** Hearing loss from loud noise (from tractors, chain saws, radios, and other such sources close to the ear) is cumulative over a lifetime without hope of natural recovery.
- Operate the mower only with a tractor equipped with an approved Roll-Over-Protective System (ROPS). Always wear your seat belt. Serious injury or even death could result from falling off the tractor — particularly during a turnover when the operator could be pinned under the ROPS or the tractor.
- Clear area to be tilled of stones, branches or other debris that might be thrown or entangled in the mower, causing injury or damage.
- Operate only in daylight or good artificial light.
- Ensure mower is properly mounted, adjusted and in good operating condition.
- Ensure that all safety shielding and safety signs are properly installed and in good condition.

SAFETY TRAINING

STARTING AND STOPPING SAFETY

- Check the tractor master shield over the PTO stub shaft. Make sure it is in good condition and fastened securely to the tractor. Purchase a new shield if old shield is damaged or missing.
- All tractors that are not equipped with a “live” power takeoff (PTO) need to be equipped with an over-running PTO clutch. These are available through most farm equipment stores. NOTE: The addition of an over-running PTO clutch may change the length of the PTO driveline required. Pay extra attention to the instructions on the PTO Driveline Installation. Be sure that the driveline system guarding is adequate.
- Mower operating power is supplied from the tractor PTO. Refer to your tractor manual for PTO engagement and disengagement instructions. Know how to stop tractor and mower quickly in case of an emergency.
- When engaging PTO, the engine RPM should always be at idle speed. Once engaged and ready to start tilling, raise PTO speed to 540-RPM and maintain throughout tilling operation.

OPERATIONAL SAFETY

- The use of this equipment is subject to certain hazards that cannot be protected against by the mechanical means or product design. All operators of this equipment must read and understand this entire manual, paying particular attention to safety and operating instructions, prior to using. If there is something in this manual you do not understand, ask your supervisor, or your dealer, to explain it to you.
- Most accidents occur because of neglect or carelessness. Keep all help-ers and bystanders at least several hundred feet from an operating Flail mower. Only properly trained people should operate this machine.
- When machine is operated in populated areas where thrown objects could injure persons or property, **operation must be stopped when anyone comes within several hundred feet.**
- The majority of the accidents involve entanglement on the driveline, injury of bystanders by the objects thrown by the rotating tines, and operators

SAFETY TRAINING

being knocked off the tractor by low hanging limbs and then being run over by the mower. Accidents are most likely to occur with machines that are loaned or rented to someone who has not read the owner's manual and is not familiar with a Flail mower.

- The Flail mower is designed for use only on tractors with the power take-off (PTO) turning at **540-RPM**.
- Install and secure all guards and shields before starting or operating. The mower tines, driveline guards and tractor, shields should be used and maintained in good working condition. They should be inspected care-fully, at least daily, for missing or broken chain links, shields, or guards. (Worn items must be replaced at once to reduce possibility of injury.)
- Disengage power takeoff (PTO) and place transmission in neutral before attempting to start engine.
- Many varied objects, such as wire, cable, rope, or chains, can become entangled in the operating parts of the mower. These items could then swing outside the housing at greater velocities than the tines. Such a situation is extremely hazardous. Inspect the cutting area for such objects before tilling. Remove any like objects from the site.
- Never allow the tilling tines to contact such items. Never assume an area is clear.
Always Check!
- Always stop the tractor, disengage PTO, set brake, shut off the tractor engine, remove the ignition key, lower implement to the ground and allow rotating pieces to come to a complete stop before dismounting tractor. Never leave equipment unattended with the tractor running.
- Never place hands or feet under mower with tractor engine running or before you are sure all motion has stopped. Stay clear of all moving parts.
- Do not reach or place any part of your body under equipment until it is blocked securely.
- Do not allow riders on the Flail mower or tractor at anytime. There is no safe place for

SAFETY TRAINING

any riders.

- Do not operate unless all personnel, livestock, and pets are several hundred feet away to prevent injury by thrown objects.
- Never operate tractor and Flail mower under trees with low hanging limbs. Operators can be knocked off the tractor and then run over by the rotating tines.
- The rotating parts of this machine have been designed and tested for rugged use. However, they could fail upon impact with heavy, solid objects such as steel guardrails and concrete abutment. Such impact could cause the broken objects to be thrown outward at very high velocities. To reduce the possibility of property damage, serious injury, or even death, never allow the tilling tines to contact such obstacles.
- Stop Flail mower and tractor immediately upon striking an obstruction. Turn engine off, remove key, inspect and repair any damage before resuming operation.
- Stay alert for uneven terrain, holes, rocks, and roots and other hidden hazards. Keep away from drop-offs and hazards that could cause roll over. Use extreme care and maintain minimum ground speed when transporting or operating on hillsides, over rough ground and when operating close to ditches or fences. Be careful and slow down when turning sharp corners and changing direction on slopes. Do not start or stop suddenly on slopes. Avoid operation on steep slopes. In extremely uneven terrain, rear wheels weights, front tractor weight, and/or tire ballast should be used to improve stability.
- Pass Flail mower diagonally through sharp dips and avoid sharp drops to prevent “hanging up” tractor and Flail mower. Practice will improve your skills in maneuvering on rough terrain. Always cut down slopes, never across the face. Always check tractor manual for proper use on slopes.
- When using a unit, a minimum 20% of tractor and equipment weight must be on tractor front wheels. Without this weight, tractor could tip over, causing personal injury or death. The weight may be attained with a front-end loader, front wheel weights, ballast in the tires or front tractor weights. When attaining a minimum 20% of tractor and equipment weight on the front wheels, you must not exceed the ROPS weight

SAFETY TRAINING

certification. Weigh the tractor and equipment. **Do not guess or estimate!**

TRANSPORT SAFETY

- Comply with state and local laws governing highway safety and movement of farm machinery on public roads.
- The use of flashing amber lights is acceptable in most localities. However, some localities prohibit their use. Local laws should be checked for all lighting and marking requirements.
- At all times, when driving the tractor and equipment on the road or highway under 20 m.p.h. (32kph) use flashing amber warning lights and a slow moving vehicle (SMV) identification emblem. Do not exceed 20 m.p.h. (32 kph). Reduce speed on rough roads and surfaces.
- Plan your route to avoid heavy traffic.
- Always install transport locks, pins or brackets before transporting.
- Do not drink and drive.
- Be a safe and courteous driver. Always yield to oncoming traffic in all situations, including narrow bridges, intersections, etc. Watch for traffic when operating near or crossing roadways.
- Turn curves or go up or down hills only at a low speed and at a gradual steering angle. Make certain that a least 20% of the tractor's weight is on the front wheels to maintain safe steerage. Slow down on rough or uneven surface. Always check tractor manual for proper use on slopes.
- Use extreme care and maintain minimum ground and when operating close to ditches or fences. Be careful when turning sharp corners.
- Never allow riders on either tractor or mower.

SAFETY TRAINING

MAINTENANCE SAFETY

- Good maintenance is your responsibility. Poor maintenance is an invitation to trouble.
 - Follow good shop practices.
 - Keep service area clean and dry
 - Be sure electrical outlets and tools are properly grounded
 - Use adequate light for the job at hand.
- Make sure there is plenty ventilation. Never operate the engine of the towing vehicle in a closed building. The exhaust fumes may cause asphyxiation.
- Before working on this machine, disengage the PTO, shut off the engine, set the brakes, and remove the ignition keys.
- Be certain all moving parts on attachments have come to a complete stop before attempting to perform maintenance.
- Never work under equipment unless it is blocked securely.
- Always use personal protection devices such as eye, hand and hearing protectors, when performing any service or maintenance.
- Frequently check mower tines. They should be sharp, free of nicks and cracks and securely fastened.
- Periodically tighten all bolts, nuts, and screws and check that all cotter pins are properly installed to ensure unit is in safe condition.
- When completing a maintenance or service function, make sure all safety shields and devices are installed before placing unit in service.
- After servicing, be sure all tools, parts and service equipment are removed from mower.
- Do not allow debris, grease or oil to build up on any deck or platform.
- Where replacement parts are necessary for periodic maintenance and servicing, genuine factory replacement parts must be used to restore your equipment to original

SAFETY TRAINING

specifications.

- The manufacturer will not be responsible for injuries or damages caused by use of unapproved parts and/or accessories.
- A fire extinguisher and the first aid kit should be kept readily accessible while performing maintenance on this equipment.

STORAGE SAFETY

- Following operation, or when unhooking the mower, stop the tractor, set the brakes, disengage the PTO, shut off the engine and remove the ignition keys.
- Store the unit in an area away from human activity.
- Do not park equipment where it can be exposed to direct contact to livestock for long periods of time. Damage and livestock injury could result.
- Make sure all parked machines are on a hard, level surface and engage all safety devices.

ASSEMBLY INSTRUCTIONS

1. Adjust the height . In order to conduct the a precise work, the mower should be operated as the suitable height. For saving power and reducing the wear of the machine, the cutting height should be regulated correctly. Loosen the screw 1, regulate the roller height(See figure A). After adjusting, tighten the screw 1.

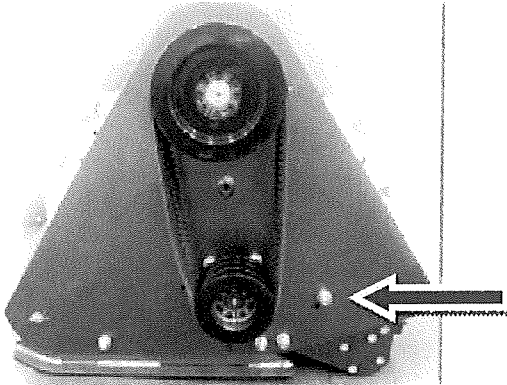


Figure A

2. Assemble the suspension arm as figure B.

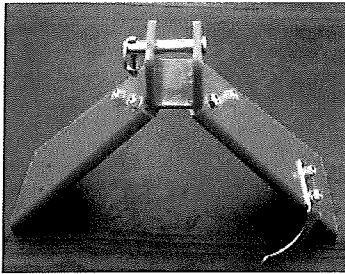


Figure B

3. Assemble the suspension arm on the mower as figure C.

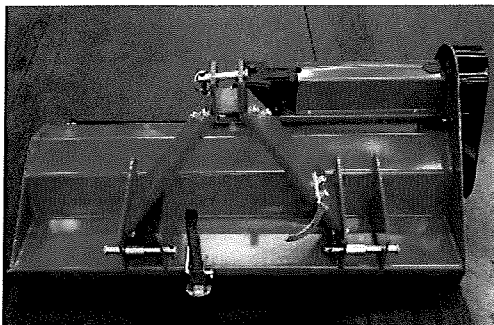


Figure C

ASSEMBLY INSTRUCTIONS

4. Connect the mower with tractor 3 point hitch as figure D and photo E. Connect the PTO shaft with tractor.

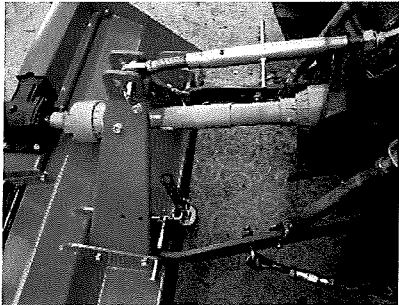


Figure D

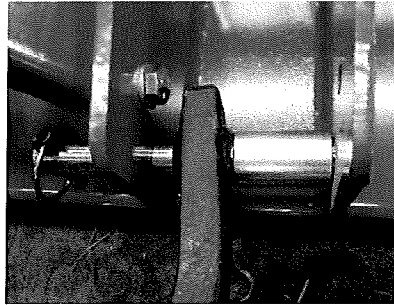
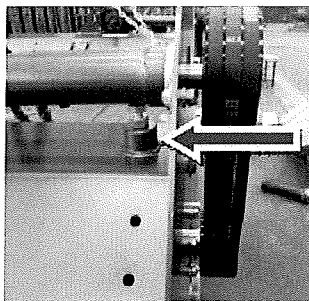


Figure E

Regulating the Tension of Driving Belt

Adjust the screw in the following photo to tighten the belt.

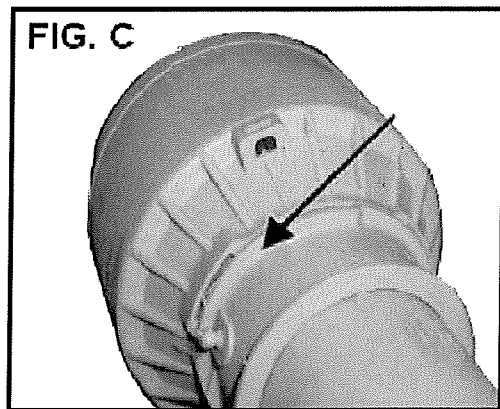


The recommended moving forward speed is 1.5km/h, according to the grass height, thickness and working condition.

The driving belts are tightened by hand at the regulation point B up to the correct tension. Tighten all screw after regulating.

The driving belts shall be replaced when they are not in a good condition.

SIZING PTO SHFAT



STEP 1 Cutting the PTO shaft to length.

NOTE: Be sure to cut equal lengths of each PTO shaft section. Clamp end of PTO shaft in a vice and cut off shield where marked. (Figure 1-A & 1-B)

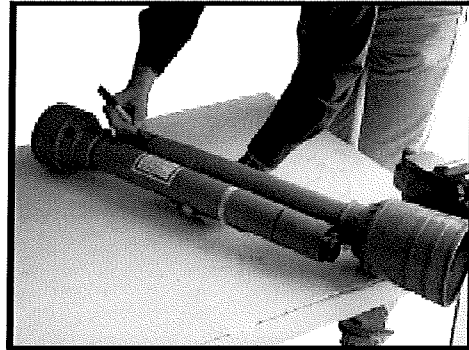


Figure 1-A

STEP 2 Using cut section of the shield as a guide cut shaft off the same amount. (Figure 2)

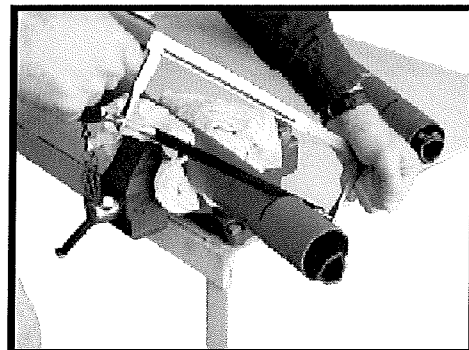


Figure 1-B

STEP 3 Repeat steps 1 and 2 for other PTO shaft section.

STEP 4 Use a file to deburr PTO shafts. Clean up all chips, burrs and filings from both ends of the PTO shaft.

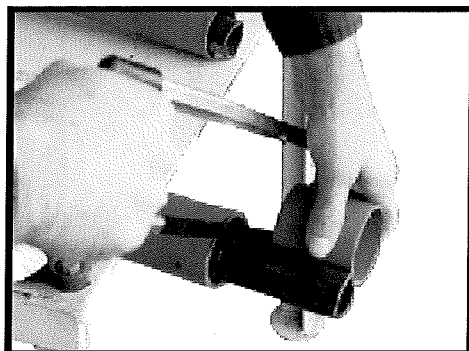


Figure 2

OPERATING INSTRUCTIONS

WARNING: IF MOWER IS RAISED UP SO THAT PTO SHAFT IS AT AN ANGLE SHARPER THAN 35 DEGREES PTO MUST BE STOPPED!

STEP 1 Before each use perform the maintenance described in maintenance section.

STEP 2 Read, understand, and follow the information on safety training, preparation, starting and stopping safety, operational safety, transport safety warning sections of this manual.

STEP 3 With the Flail mower positioned on level ground, adjust the tractor lift arms so that when lifted, the rotor bar remains parallel to the ground.

STEP 4 With the Flail mower attached to the tractor, raise and support the mower with suitable blocks. Adjust the skids, located on the sides of the mower. The adjustment bolts for both right and left sides should be positioned in the same adjustment hole. This allows the mower to till the same depth on each side. Adjust the back plate, with regulating chain, until the desired mulching effect is found.

Note: Never attempt to adjust the Flail mower while the tractor is running.

STEP 5 Raise the mower and remove the blocks. Lower the mower to the ground.

STEP 6 With the tractor at idle RPM and the mower lifted off of the ground, engage PTO and slowly advance throttle to 540 PTO RPM. NOTE: Flail mower is designed to run at **540 PTO RPM only**.

STEP 7 Select a low gear for the tractor and begin to move forward. Tractor ground speed is to be controlled by gear selection only and not engine speed. As the tractor moves forward, slowly lower the mower down. Allow the mower tines to gradually engage the ground.

NOTE: Do not allow the tractor engine or Flail mower to bog down or stall. This causes undue wear and tear on the mower and tractor. If this continues to happen reduce ground speed and raise tilling depth of Flail mower. Never attempt to remove objects from the rotor bar until the tractor has been shut down and the mower tines have completely stopped.

OPERATING INSTRUCTIONS

Never travel at a fast ground speed while using the mower, this could damage it. Never attempt to turn the tractor or travel in reverse with the PTO engaged and the mower in the ground. Always raise the mower out of the ground when backing up or attempting to turn. Failure to do so may cause damage to the mower.

STEP 8 After each use clean all debris from the mower tines. Replace any missing or illegible safety decals. Inspect for any damaged or worn parts and replace before next use. Store Flail mower in a dry environment.

SERVICE AND MAINTENANCE

3.1 Service

3.1.1 FLUIDS AND LUBRICANTS

1. Grease:

Use only a grade Type II tube grease.

2. Storing Lubricants:

Your machine can operate at top efficiency only if clean lubricants are used. Use clean containers to handle all lubricants. Store them in an area protected from dust, moisture and other contaminants.

3.1.2 GREASING

1. Use a hand-held grease gun for all greasing.
2. Wipe grease nipple with a clean cloth before greasing, to avoid injecting dirt and grit.
3. Replace and repair broken nipples immediately.
4. If nipples will not take grease, remove and clean thoroughly. Also clean lubricant passageway. Replace nipple if necessary.

3.2 Maintenance

The recommended period is based on normal operating conditions. Severe or unusual conditions may require more frequent maintenance.

3.2.1 8 Hours or Daily Maintenance

1. Check all nuts and bolts in connection parts, replace if required.
Pump grease into each grease nipple three to five times.
Clean the implement; take away all debris and residue.

3.2.2 Season Maintenance

1. Check the machine as above for daily maintenance.
2. Check the bearings of blade spindles for wear and tear. If worn, disassemble, clean and replace them if it is necessary, grease as required.
3. Check the drive belt if tighten.

SERVICE AND MAINTENANCE

3.2.3 Annual Maintenance

1. Thoroughly clean the flail mower of debris and residue.
2. Drain the gearbox and clean it thoroughly. Fill with new gear oil up to the dedicated oil level.
3. Check and clean blade axles. Check oil seals and replace if necessary.
4. Check all blades, replace them if they are worn out or damaged.
5. Repair the side skirts; return them to original technical condition. Replace damaged or broken protective devices.
6. Remove the drive shaft from the machine. Pull the PTO shaft apart. Check and replace any components that are damaged or worn. Install the PTO shaft on the machine. The PTO shaft should telescope easily and the guard turn freely on the shaft, grease if necessary.

	8hrs/Daily	40hrs/Weekly	Annually
Lubricate PTO Shaft	Yes	Yes	Yes
Lubricate Caster Wheels	Yes	Yes	Yes
Lubricate Blade Spindle	Yes	Yes	Yes
Clean Machine			Yes
Lubricate and clean PTO Shaft Cover			Yes

3.2.4 PTO SHAFT MAINTENANCE

The PTO shaft is designed to telescope to allow for dimensional changes as the machine goes through its operating range. A tubular guard encloses the driving components and is designed to remain stationary on a turning shaft when required. The shaft should telescope easily and the guard turn freely on the shaft at all times. Annual disassembly, cleaning and lubrication is recommended to insure that all components function as intended. To maintain the shaft, follow this procedure:

1. Remove the shaft from the machine.
2. Pull shaft apart.
3. Use a screwdriver to pry the tabs out of the sleeves on each end. There are 3 tabs per guard.
4. Pull the shaft out of the plastic tubular guard.
5. Use a solvent to clean the male and female portions of the telescoping ends.
6. Apply a light coat of grease to each end.
7. Clean grooves on each end where the tabs are located. Clean each tab also.
8. Apply a light coat of grease to each groove.
9. Insert the shaft into its respective guard and align the slots with the groove.
10. Insert the tabs through the slots and seat in the groove.
11. Check that each guard turns freely on the shaft.

SERVICE AND MAINTENANCE

12. Assemble the shaft.
13. Check that the shaft telescopes easily.
14. Replace any components that are damaged or worn.
15. Install the shaft on the machine.

3.2.5 GEARBOX MAINTENANCE

The gearbox used on the Flail mower will give many years of trouble-free service with minimal maintenance requirements. Maintain the gearbox by following this procedure:

- Check if the belt is wear out, or replace a new belt.
- Check if the tooth of gear is wear out, or replace a new gear.
- Dirt, debris and salt has to be washed away immediately after using the mower in such circumstances.

3.3 STORAGE

After the season's use, the machine should be thoroughly inspected and prepared for storage. Repair or replace any worn or damaged components to prevent any unnecessary down time at the start of next season. To insure a long, trouble free life, follow the procedure outlined below:

1. Thoroughly wash the machine using a pressure washer to remove all dirt, mud, debris and residue.
2. Inspect the blades and rotor for damage or entangled material. Repair or replace damaged parts. Remove all entangled material.
3. Lubricate all grease nipples. Make sure that all grease cavities have been filled with grease to remove any water residue from the inside.
4. Touch up all paint nicks and scratches to prevent rusting.
5. Move to storage area.
6. Select an area that is dry, level and free of debris.
7. Unhook from tractor.
8. If the machine cannot be placed inside, cover with a waterproof tarpaulin and tie securely in place.

Store the machine in an area away from human activity. Do not allow children to play on or around the stored machine.

SERVICE AND MAINTENANCE

3.4 Trouble Shooting

The Flail mower is designed to work on unplowed and plowed field. It is a simple and reliable system that requires minimal maintenance.

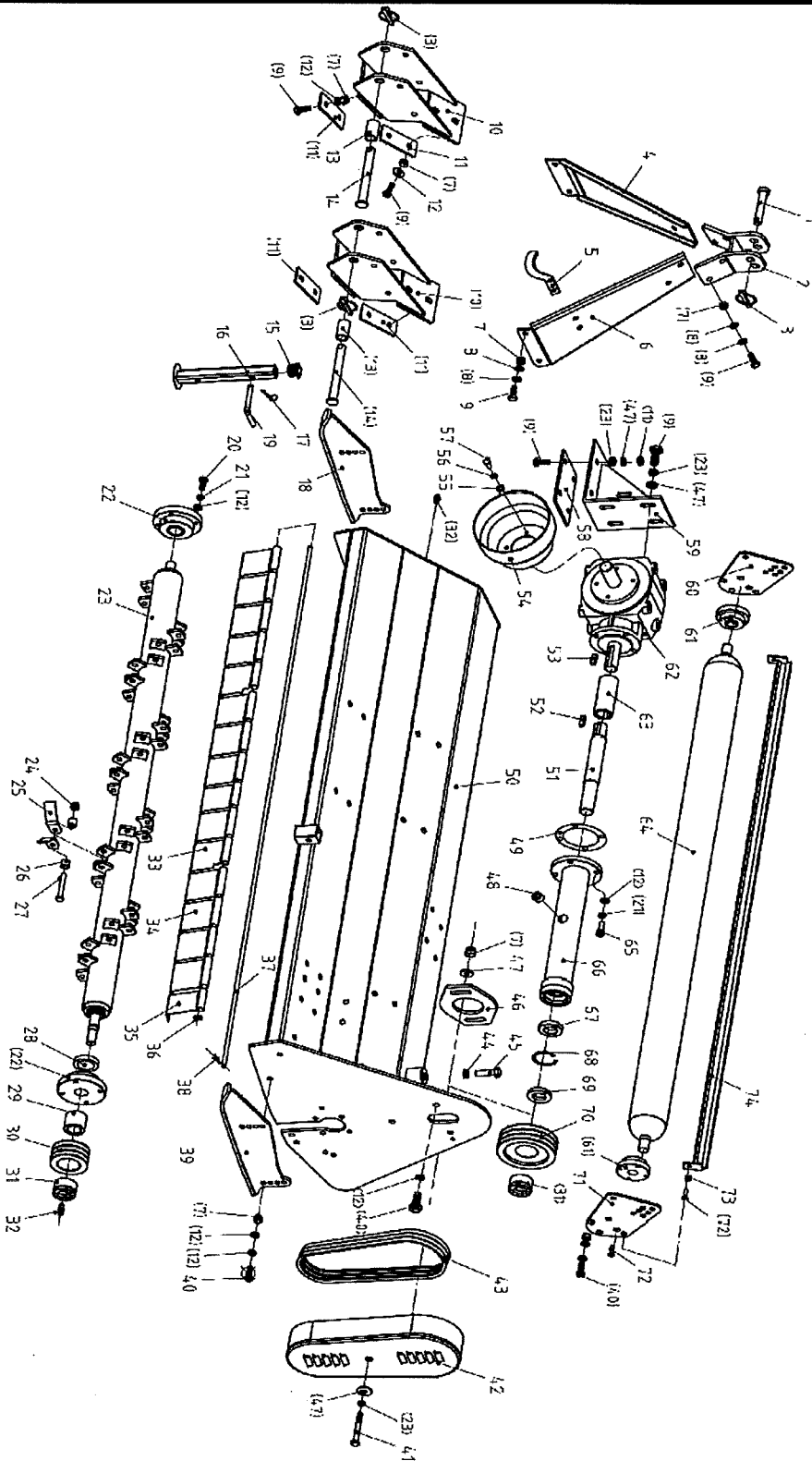
In the following section, we have listed many of the problems, causes and solutions to the problems that you may encounter.

Problem	Possible Cause	Solution
PTO Shaft inclined too much	Flail mower failed horizontal level	Adjust the horizontal level of the Mower
	One side sway chain of tractor is too short	Adjust the chain
PTO Shaft injured	Direction mistaken	Re-assemble correctly
	Grease deficient	Rinse needle and pump grease sufficiently
	Angle of PTO Shaft is too big or is gripped	Limit the rising position and re-lock the position
	Flail mower fallen down the soil sharply	Fall the Mower down the soil smoothly
Noise in gearbox	The clearance between the two helical bevel gears is too large	Adjust this clearance
	Bearing injured	Replace bearing
	Tooth of gear broken	Replace gear
Noise in side gear box	Foreign matter dropped in gear box	Take foreign matter out of the gear box
	Bearing on the third shaft injured	Replace bearing
	Bearing on the middle shaft injured	Replace bearing
Trouble rotation of cultivator shaft	Gear or bearing injured or gripped	Replace gear or bearing
	There was no clearance between the two helical bevel gears	Adjust the clearance of the helical bevel gear pair
	Out of shape of left side plane	Correct side plane
	Cultivator shaft crooked or out of shape	Correct or replace cultivator shaft
	Cultivator shaft twined with grass or hold soil seriously	Clear away grass or soil

SERVICE AND MAINTENANCE

Blade slot injured	Blade run foul of stone so that it suffers too much force	Clear away the stone from the field
	Blade assembled on opposite direction so that it suffers too much force	Assemble the blades correctly
	Flail mower fallen down the soil sharply so that it suffers too much force	Fall the Mower down the soil smoothly
Blades crooked or broken	Blades run foul of stone	Replace the blades and clear away the stones from the field
	Doing plough when tractor turns a corner in the field	Rise the mower and do not plough when the tractor turns a corner in the field
	Flail mower fallen down the hard ground	Fall the Mower down smoothly

PARTS LIST



EFGC Assembly

PARTS LIST

No.	Part No.	Name & Specification	Qty
1	EF175-124	Upper hang pin	1
2	EF175-014	Arm weldment	1
3	SP11	Lock pin assembly	3
4	EF175-021	left connect arm weldment	1
5	EF175-121	PTO board	1
6	EF175-022	right connect arm weldment	1
7	NN12	Fixting nut	24
8	PW12	washer	36
9	HB12A40	bolt M12*40	20
10	EF175-017	hang connecting board weldment	2
11	EF175-109	scaleboard	4
12	PW12	washer	8
13	EF175-120	pipe shroud	2
14	EF175-125	down hang pin	2
15	EF175-126	pipe plug	1
16	EF175-019	armbrace weldment	1
17	RP4	R pin	1
18	EF175-018	left dump rail weldment	1
19	EF175-122	armbrace pin	1
20	HB12A30	bolt M12*30	14
21	SW12	spring washer12	17
22	UC207-Z	Bearing set UC207	2
23	EF175-013	blade shaft weldment	1
24	NN16	fixing nut M16	28
25	EF175-127	Y blade	56
26	EF175-102	separation sleeve	56
27	HB16A80	Bolt M12*80	28
28	OS55A80A8	oil seal FB55*80*8	1
29	EF175-103	Bush	1
30	EF175-130	small belt wheel	1
31	PL35A60	expension bush	2
32	GF8A1	Oil nipple	2
33	EF175-132	Plate	3
34	EF175-133	Plate	20
35	EF175-109	Plate	1
36	PW10	washer	32
37	EF175-106	plate shaft	1

PARTS LIST

No.	Part No.	Name & Specification	Qty
38	SP4A35	split pin	2
39	EF175-018	right dump rail weldment	1
40	GB5783-86	Bolt M12*35	8
41	GB5786-86	Bolt M12*10	1
42	EF175-022	belt wheel cover	1
43	VBB1016	belt	3
44	HN16A1.5	Nut M16*1.5	1
45	HB16A1.5A45	Bolt M16×1.5×45	1
46	EF175-101	connecting board	1
47	BPW12	big washer12	2
48	HSSTR3/8	hexagonal socket head plug	2
49	EF175-134	flange paper cushion	1
50	EF175-011	Fram weldment	1
51	EF175-104	Connecting shaft	1
52	KA10A40	Key A10X40	1
53	KA10A70	Key A10*70	1
54	EF175-131	PTO cover	1
55	BPW10	big washer10	2
56	SW10	sping washer10	2
57	HB10A12	bolt M10*12	2
58	EF175-123	Gearbox fixing board	1
59	EF175-020	Gearbox fixing board weldment	1
60	EF175-108	roller right connecting board	1
61	UC205-Z	UC205 bearing seat	2
62	XH50.003Z.02W	Gear box assembly	1
63	EF175-105	spindle collar	1
64	EF175-012	roller weldment	1
65	HSHS12A35	hexagonal socket head boltM12*35	4
66	EF175-015	shaft pipe liner weldment	1
67	B6007	deep groove ball bearing6007	1
68	CFH62	Hole sping	1
69	EFH175.130	oil seal 35*62*10	1
70	EF175-129	big belt wheel	1
71	EF175-107	roller left connecting board	1
72	HHSS8A20	sunk screw M8X20	10
73	NN8	fixting bolt M8	2
74	EF175-016	scraping board weldment	1

Bowell Implement Warranty

Warranty

Bowell warrants to the original purchaser that this **Bowell** product will be free from defects in material and workmanship beginning on the date of purchase by the end user according to the following schedule when used as intended and under normal service and conditions for personal use.

Overall Unit and Driveline: One year Parts and Labor

Gearbox: One year on all components.

Blades and Belts: Considered wear items.

This Warranty is limited to the replacement of any defective part by **Bowell** and the installation by the dealer of any such replacement part, and does not cover common wear items. **Bowell** reserves the right to inspect any equipment or parts which are claimed to have been defective in material or workmanship.

This Warranty does not apply to any part or product which in **Bowell's** judgment shall have been misused or damaged by accident or lack of normal maintenance or care, or which has been repaired or altered in a way which adversely affects its performance or reliability, or which has been used for a purpose for which the product is not designed. Misuse also specifically includes failure to properly maintain oil levels, grease points, and driveline shafts.

Claims under this Warranty should be made to the dealer which originally sold the product and all warranty adjustments must be made through an authorized **Bowell** dealer. **Bowell** reserves the right to make changes in materials or design of the product at any time without notice.

This Warranty shall not be interpreted to render **Bowell** liable for damages of any kind, direct, consequential, or contingent to property. Furthermore, **Bowell** shall not be liable for damages resulting from any cause beyond its reasonable control. This Warranty does not extend to loss of crops, any expense or loss for labor, supplies, rental machinery or for any other reason.

No other warranty of any kind whatsoever, express or implied, is made with respect to this sale; and all implied warranties of merchantability and fitness for a particular purpose which exceed the obligations set forth in this written warranty are hereby disclaimed and excluded from this sale.

This Warranty is not valid unless registered with **Bowell** within 30 days from the date of purchase by the end user.