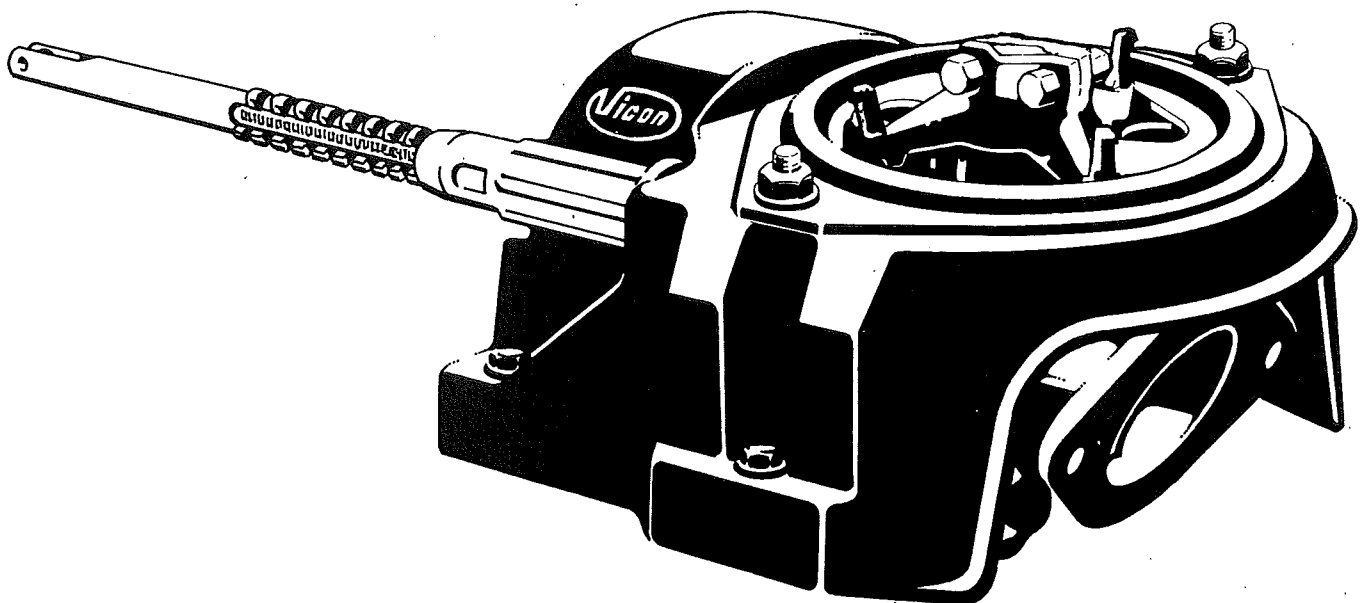




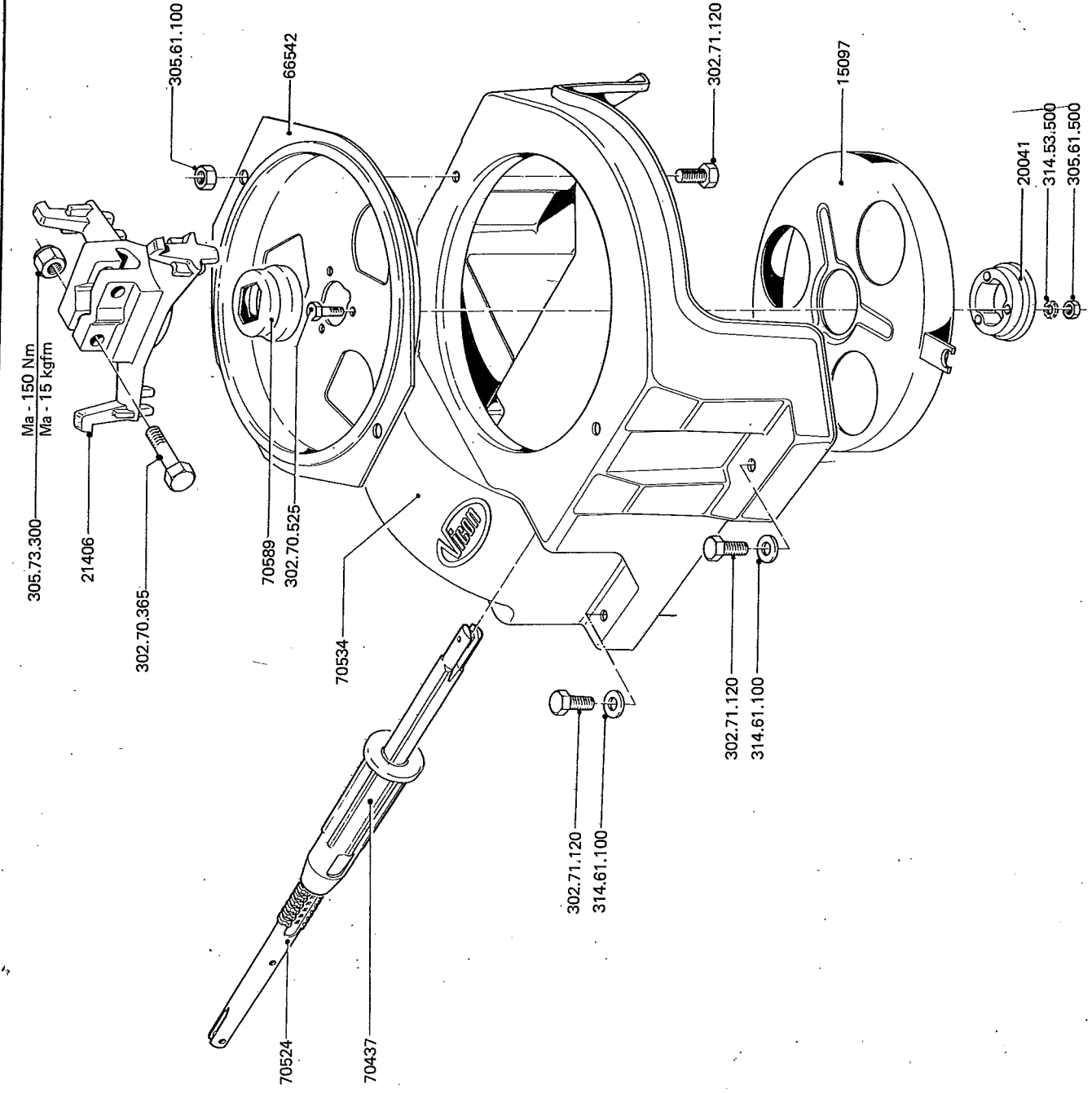
**spareparts list
vari-spreader
spreading unit**

serie 22104/22105/22106



serial number 22104 - 22105 - 22106

F1

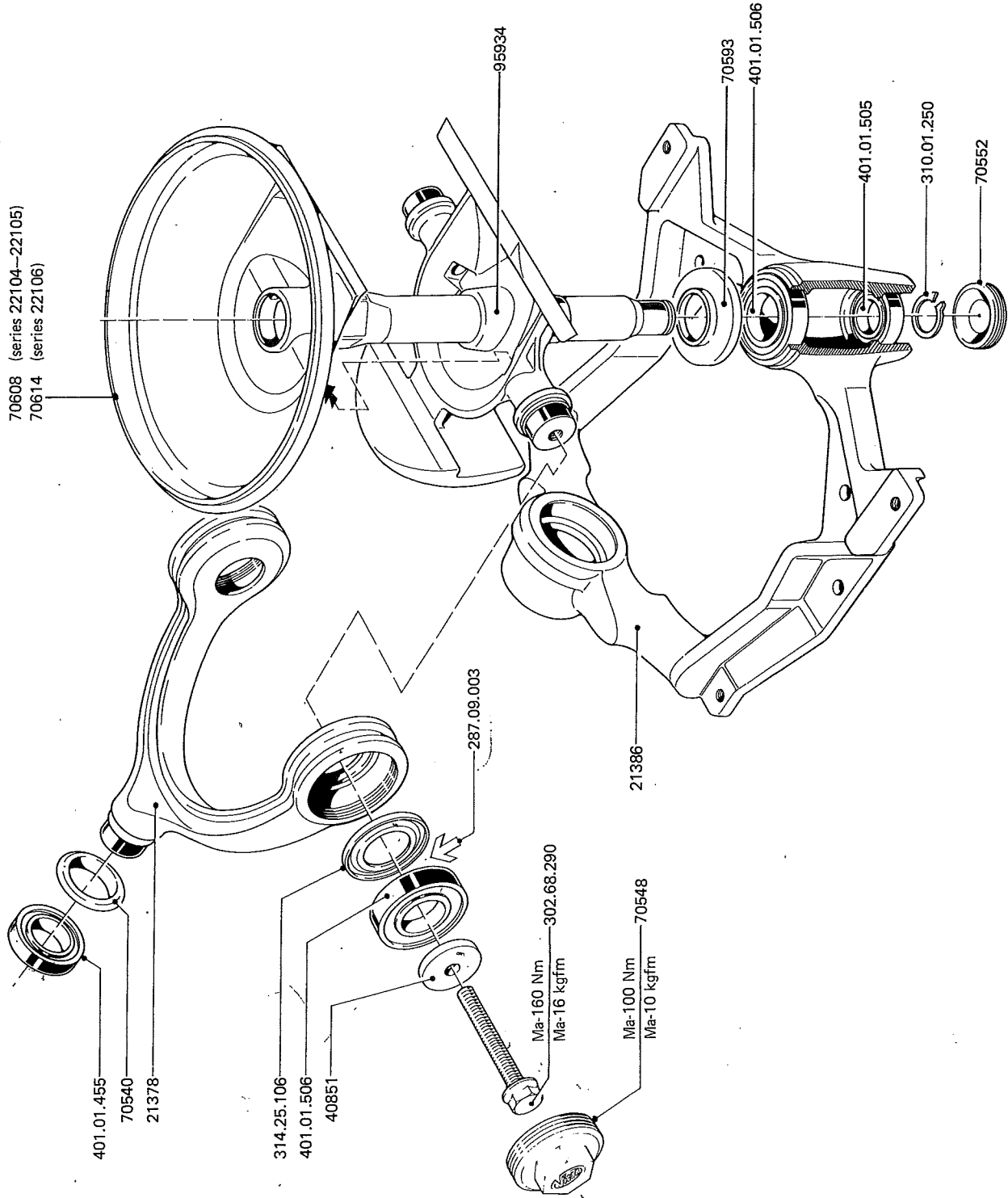


bestelnummer
ordernummer
num. à commander
Bestellnummer

| | | |
|------------|---|------------|
| 15097 | 1 | 8.8-M14x65 |
| 20041 | 1 | 8.8-M5x25 |
| 21406 | 1 | 8.8-M10x20 |
| 66542 | 1 | 8/M10 |
| 70437 | 1 | 8/M5 |
| 70524 | 1 | 8/M14 |
| 70534 | 1 | 8/M5 |
| 70589 | 1 | AZ5,1 |
| 302.70.365 | 2 | 10,5 |
| 302.70.525 | 3 | |
| 302.71.120 | 6 | |
| 305.61.100 | 2 | |
| 305.61.500 | 3 | |
| 305.73.300 | 2 | |
| 314.53.500 | 3 | |
| 314.61.100 | 4 | |

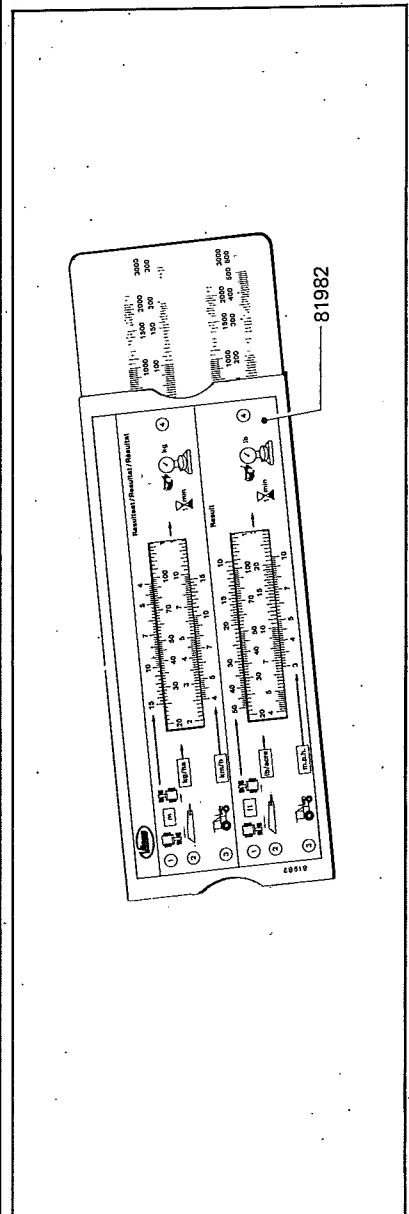
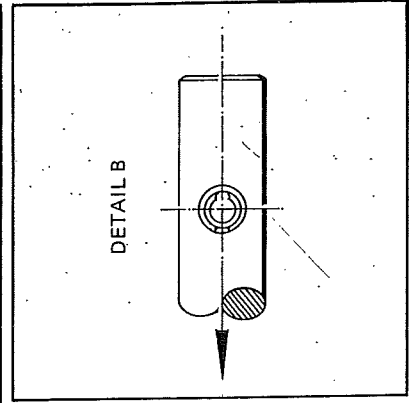
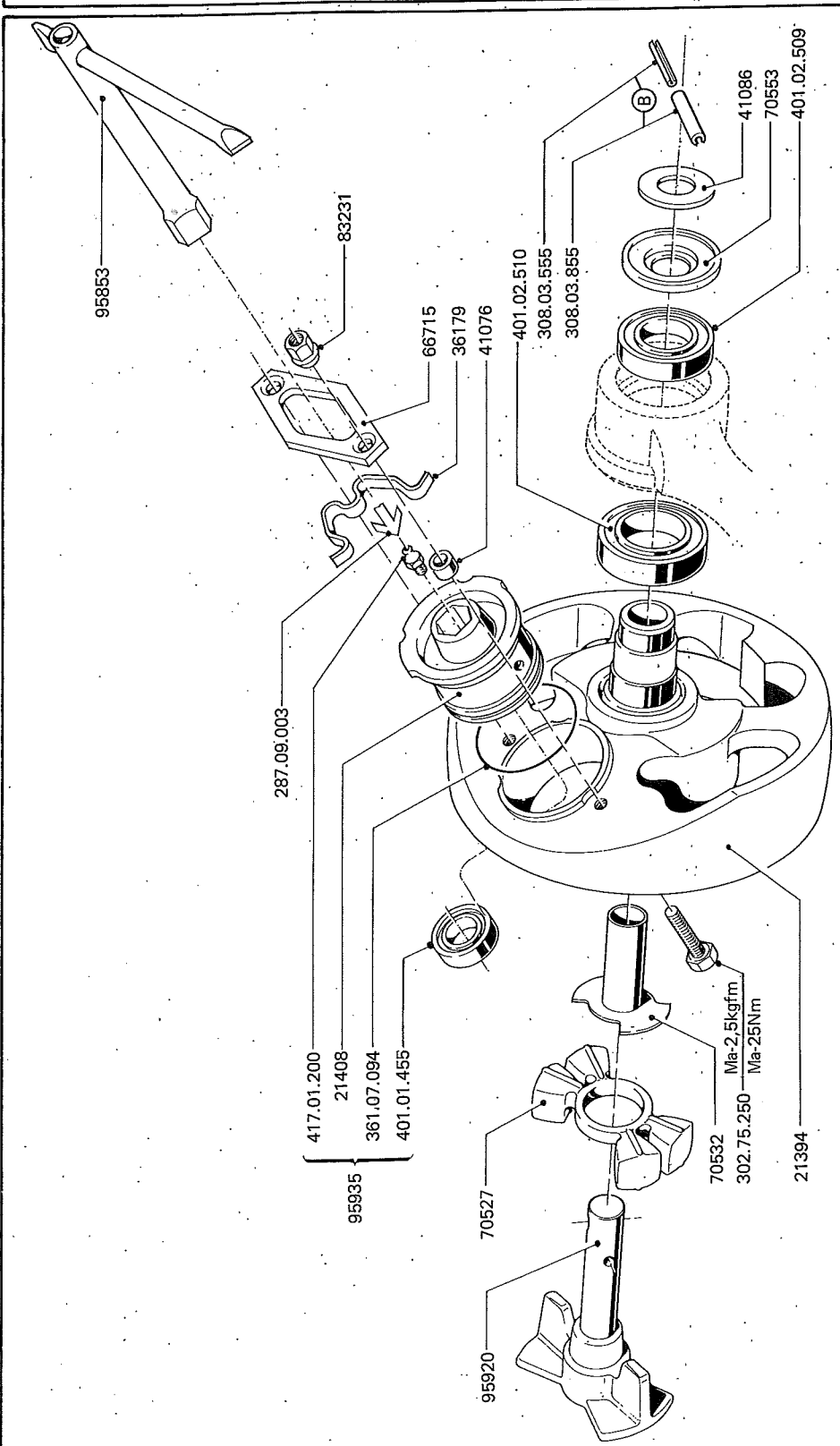
serial number 22104 - 22105 - 22106

F2



bestelnummer
ordernummer
num. à commander
Bestellnummer

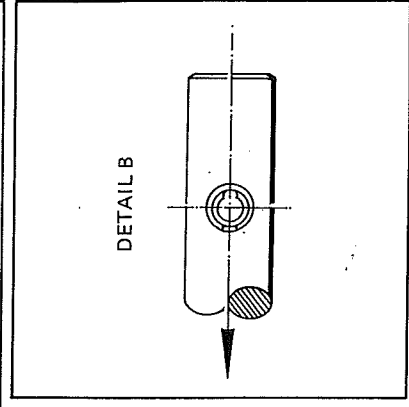
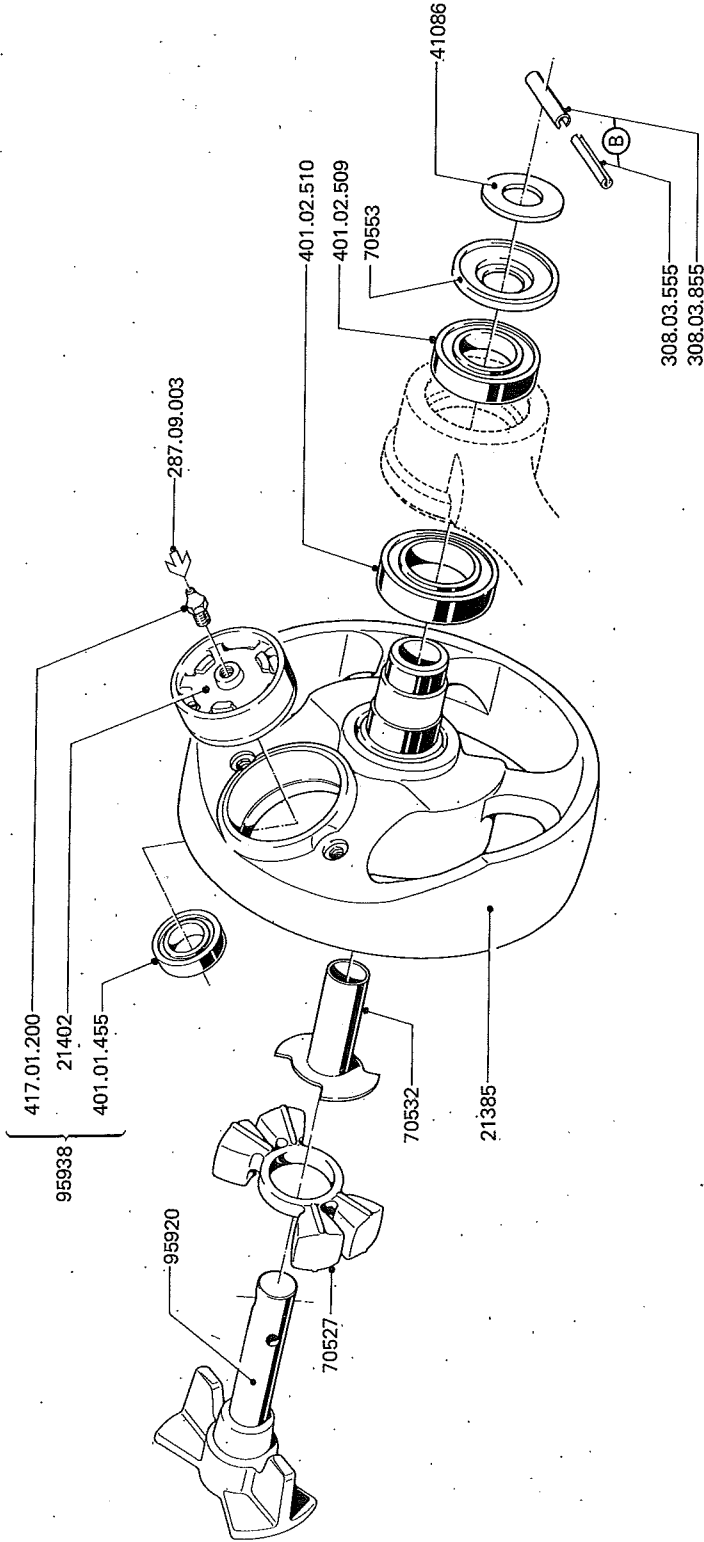
| | | |
|------------|---|--------------------|
| 21378 | 1 | |
| 21386 | 1 | |
| 40851 | 2 | |
| 70540 | 1 | |
| 70548 | 2 | |
| 70552 | 1 | |
| 70593 | 1 | |
| 70608 | 1 | series 22104-22105 |
| 70614 | 1 | series 22106 |
| 95934 | 1 | |
| 287.09.003 | 1 | |
| 302.68.290 | 2 | Shell Alvarnia 3 |
| 310.01.250 | 1 | 12.9-M12x90 |
| 314.25.106 | 2 | A25 |
| 401.01.455 | 1 | 6206-ZAV |
| 401.01.505 | 1 | 6205-RS-C3 |
| 401.01.506 | 1 | 6205-2RS |
| | 3 | 6206-2RS |



| bestelnnummer | ordernummer | num. à commander | Bestellnummer |
|---------------|-------------|------------------|------------------|
| 21394 | | | |
| 21408 | | | |
| 36179 | | | |
| 41076 | | | |
| 41086 | | | |
| 66715 | | | |
| 70527 | | | |
| 70532 | | | |
| 70553 | | | |
| 81982 | | | |
| 83231 | | | |
| 95853 | | | |
| 95920 | | | |
| 95935 | | | |
| 287.09.003 | | | |
| 302.75.250 | | | |
| 308.03.855 | | | |
| 308.03.855 | | | |
| 361.07.094 | | | |
| 401.01.455 | | | |
| 401.02.509 | | | |
| 401.02.510 | | | |
| 417.01.200 | | | |
| | | | Shell Alvania 3 |
| | | | 2 8.8-M12x1,5x50 |
| | | | 1 5x55 |
| | | | 1 8x55 |
| | | | 1 88,62x1,78 |
| | | | 1 6205-RS-C3 |
| | | | 1 6009-2RS |
| | | | 1 6010-2RS |
| | | | 1 G1/8 |

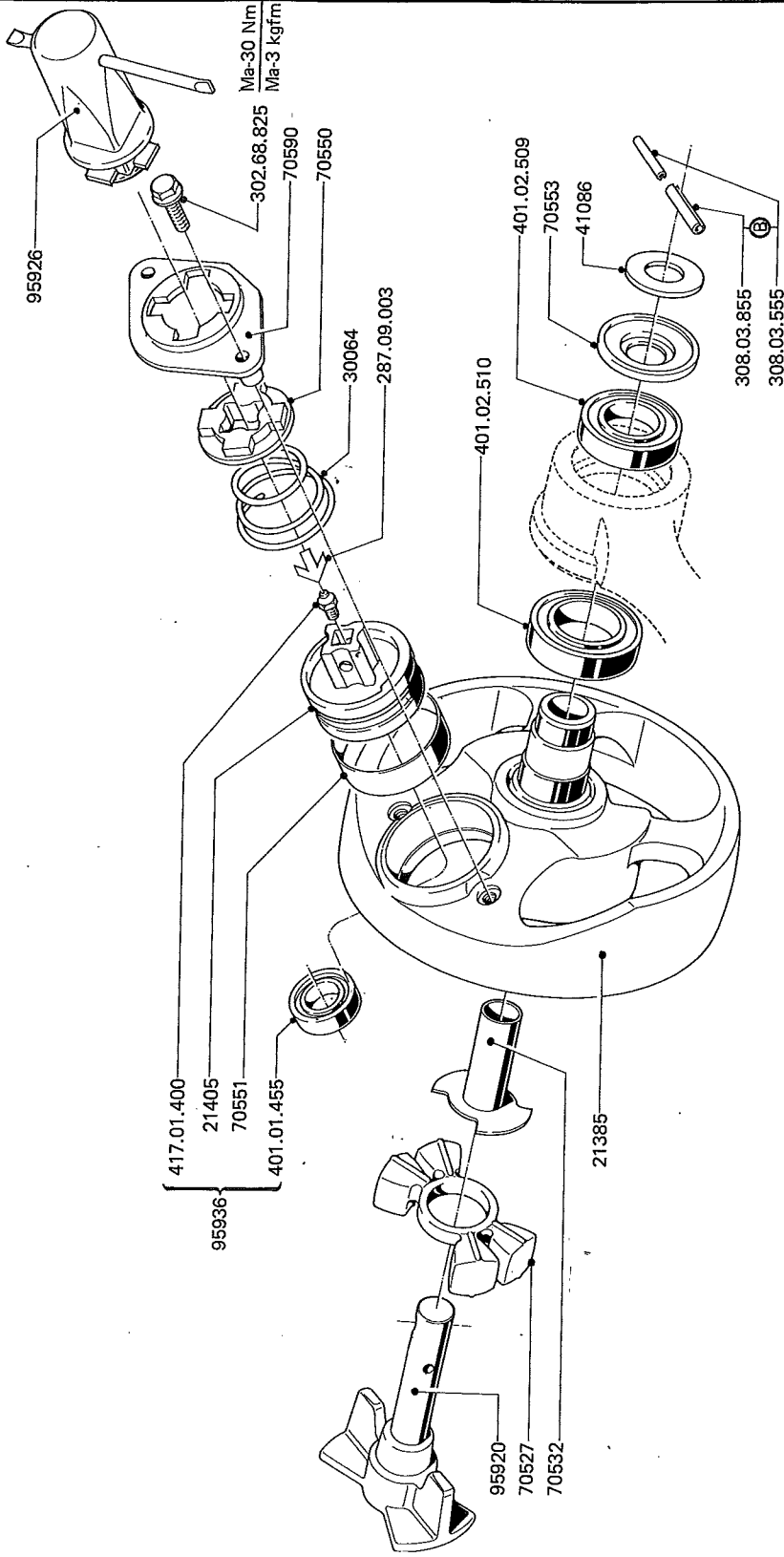
bestelnummer
 ordernummer
 num. à commander
 Bestelnummer

| | | |
|------------|---|-----------------|
| 21385 | 1 | |
| 21402 | 1 | |
| 41086 | 1 | |
| 70527 | 1 | |
| 70532 | 1 | |
| 70553 | 1 | |
| 95920 | 1 | |
| 95938 | 1 | |
| 287.09.003 | 1 | Shell Alvania 3 |
| 308.03.555 | 1 | 5x55 |
| 308.03.855 | 1 | 8x55 |
| 401.01.455 | 1 | 6205-RS-C3 |
| 401.02.509 | 1 | 6009-2RS |
| 401.02.510 | 1 | 6010-2RS |
| 417.01.200 | 1 | G1/8 |

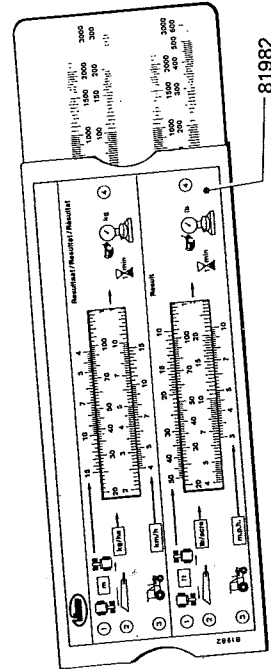


bestelnummer
ordernummer
num. à commander
Bestellnummer

| | | |
|------------|---|-----------------|
| 21385 | 1 | Shell Alvania 3 |
| 21405 | 1 | 12.9-M8x25 |
| 30064 | 1 | 5x55 |
| 41086 | 1 | 8x55 |
| 70527 | 1 | 6205-RS-C3 |
| 70532 | 1 | 6009-ZRS |
| 70550 | 1 | 6010-ZRS |
| 70551 | 1 | 417.01.400 |
| 70553 | 1 | |
| 70590 | 1 | |
| 81982 | 1 | |
| 95920 | 1 | |
| 95926 | 1 | |
| 95936 | 1 | |
| 287.09.003 | 2 | |
| 302.68.825 | 1 | |
| 308.03.555 | 1 | |
| 308.03.855 | 1 | |
| 401.01.455 | 1 | |
| 401.02.509 | 1 | |
| 401.02.510 | 1 | |
| 417.01.400 | 1 | |



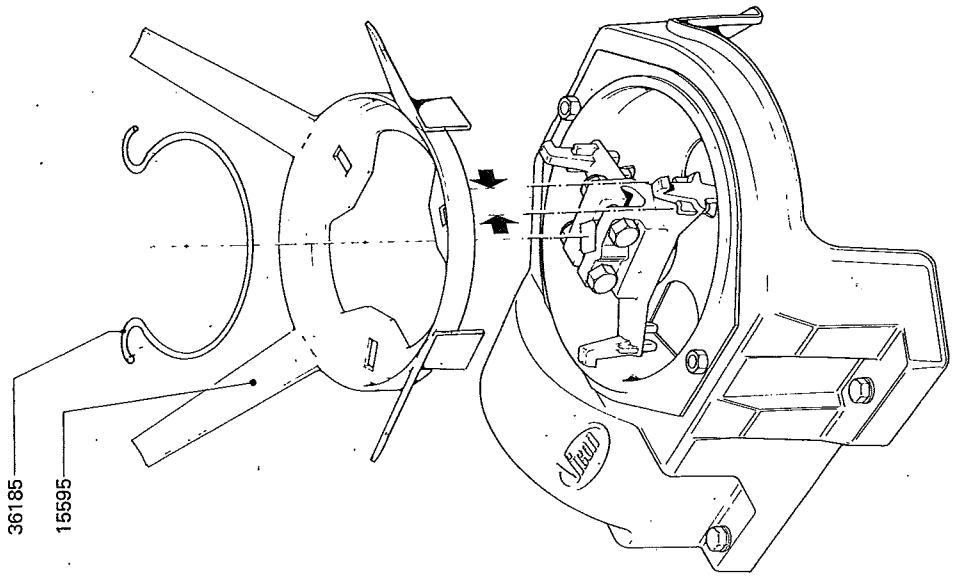
DETAIL B



Serial number 22104 - 22105 - 22106

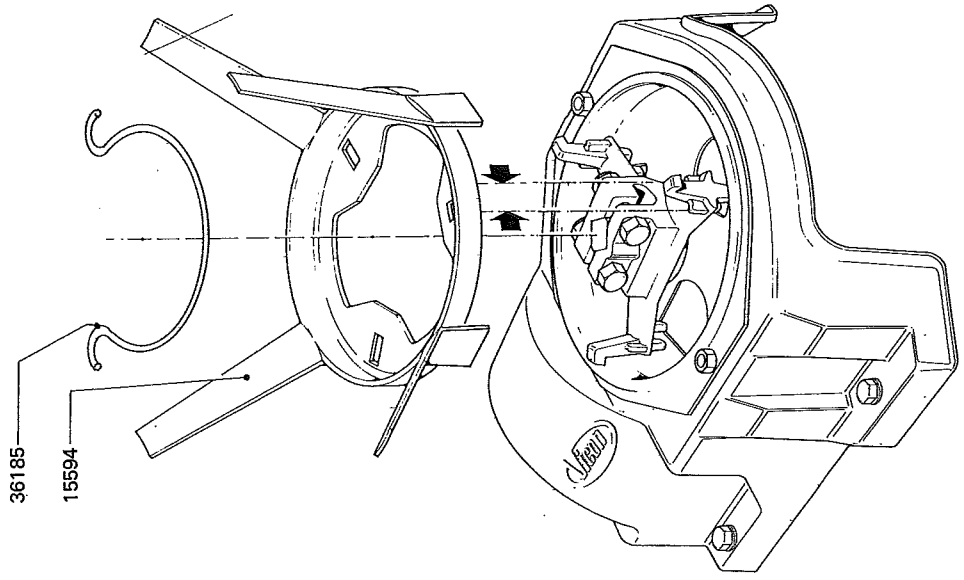
PS 402/602/802/1002

| | | | |
|------------------|-------|---|---|
| bestellnummer | 15595 | 1 | 1 |
| ordernummer | 36185 | 1 | 1 |
| num. à commander | | | |
| Bestellnummer | | | |



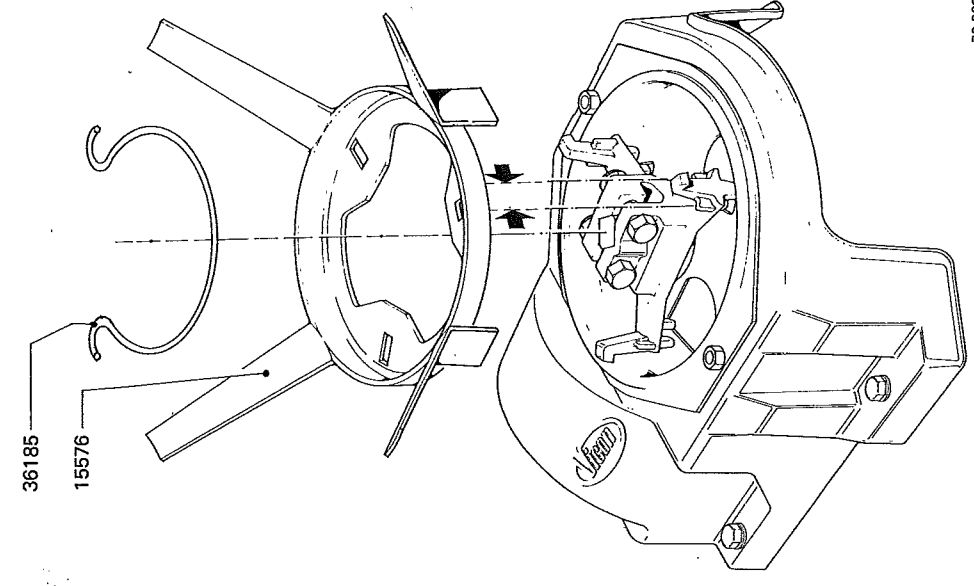
PS 403/503/603

| | | | |
|------------------|-------|---|---|
| bestellnummer | 15594 | 1 | 1 |
| ordernummer | 36185 | 1 | 1 |
| num. à commander | | | |
| Bestellnummer | | | |



PS 202/302/203/303

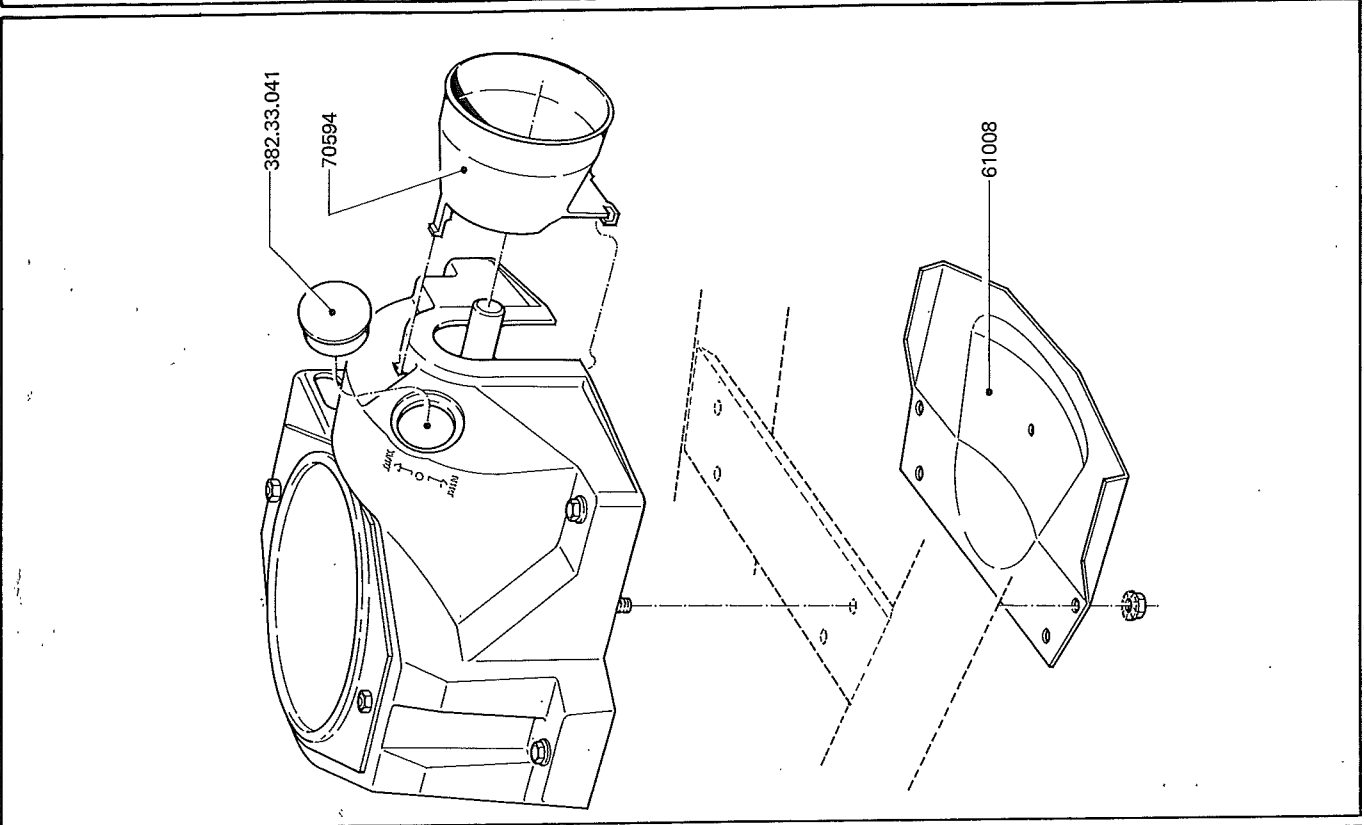
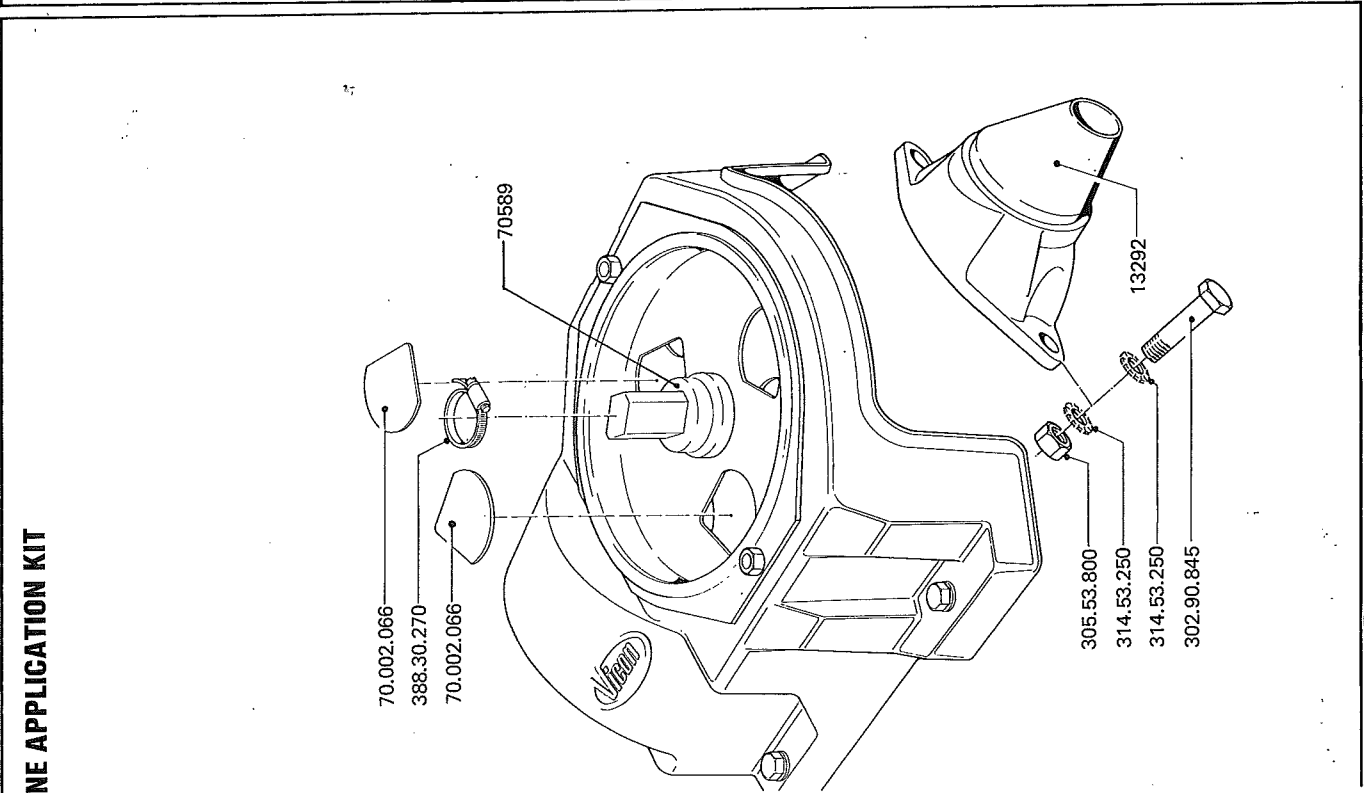
| | | | |
|------------------|-------|---|---|
| bestellnummer | 15576 | 1 | 1 |
| ordernummer | 36185 | 1 | 1 |
| num. à commander | | | |
| Bestellnummer | | | |



Serial number 22104 - 22105 - 22106

LINE APPLICATION KIT

F7



| bestelnnummer ordernumber num. à commander Bestellnummer | | |
|---|---|----------------|
| 70589 | 1 | |
| 70.002.066 | 2 | |
| 388.30.270 | 1 | 32-47 |
| 13292 | 1 | |
| 302.90.845 | 2 | 8.8-UNF 1/2x45 |
| 305.53.800 | 2 | 8-UNF 1/2 |
| 314.53.250 | 4 | AZ13 |

| | | |
|------------|---|--|
| 61008 | 1 | |
| 70594 | 1 | |
| 382.33.041 | 1 | |