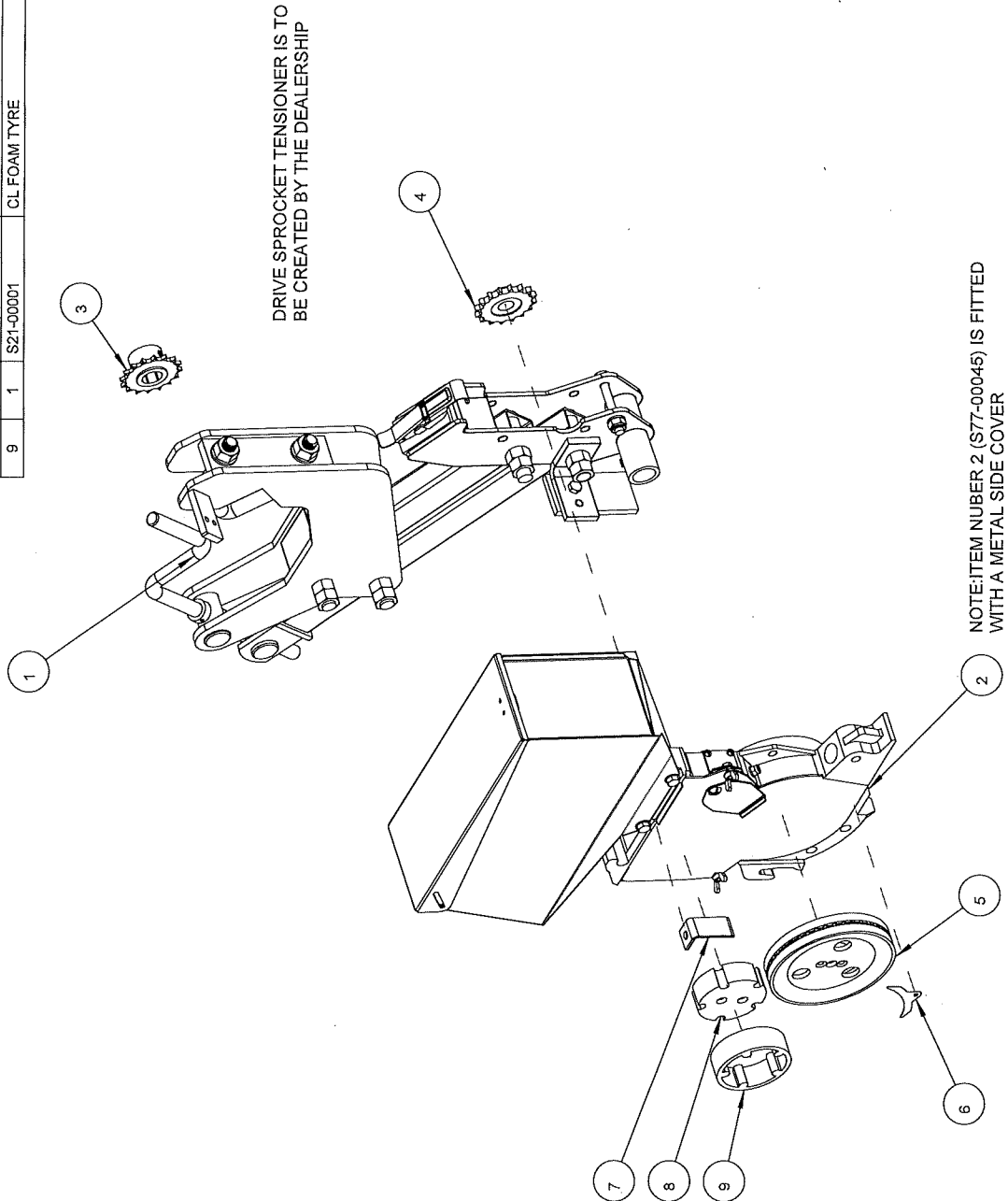


DO NOT SCALE - IF IN DOUBT ASK

THIRD ANGLE PROJECTION

NUM	QTY	PART NUMBER	DESCRIPTION
1	1	S77-00043	SEVEN HANDCRANK CHASSIS
2	1	S77-00045	SEVEN METER UNIT HC
3	1	SHW7702695	16T SLIDING SPROCKET
4	1	S74-00041	16T DRIVE SPROCKET LC
5	1	S35-00005	CL42 CELL WHEEL
6	1	SHW3220036	EJECTOR BLADE
7	1	SHW6902825	DEFLECTOR BLADE
8	1	S69-00068	DEFLECTOR WHEEL HUB FT
9	1	S21-00001	CL FOAM TYRE



MACHINING AND SURFACE TEXTURE SYMBOLS ARE TO BS208 WITH VALUES IN MICROMETRES RA TO BS134. ALL WELDING SYMBOLS ARE TO BS499. TOLERANCE SYMBOLS AND UNITS TO BS EN 20286 ANGULAR TOLERANCE ± 0.5 SCREW THREADS TO BE ISO METRIC COARSE (BS3645)

PERMISSIBLE VARIATIONS OF UNTOLERANCED DIMENSIONS (VALUE IN E. MM)

	NOMINAL DIMENSION RANGE							
	0.5	3	6	30	120	400	1000	2000
FINE	0.05	0.05	0.1	0.15	0.2	0.3	0.5	—
MEDIUM	0.1	0.1	0.2	0.3	0.5	0.8	1.2	2
COARSE	0.2	0.3	0.5	0.8	1.2	2	3	4
VERY COARSE	—	0.5	1	1.5	2.5	4	6	8

REVISION DESCRIPTION

ISS	DATE	AMENDMENT
A	25-Apr-18	FIRST ISSUE

SCALE	1:60
FINISHED WEIGHT	39240.987 (KG)
FINISH	
MATERIAL	
MATERIAL STANDARD	
TOLERANCE CLASS	MEDIUM
DRAWN	CF
CHECKED	
DATE	25-Apr-18



DESCRIPTION
SOLEX SLED CELL MU

PART No