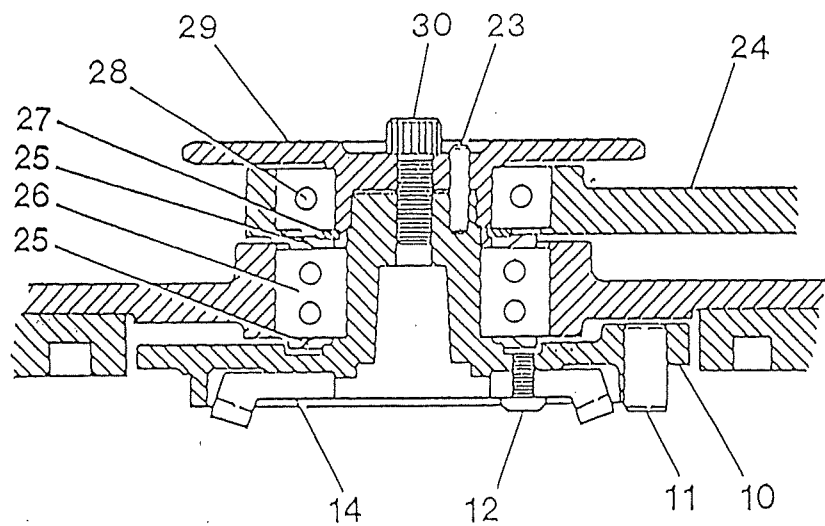
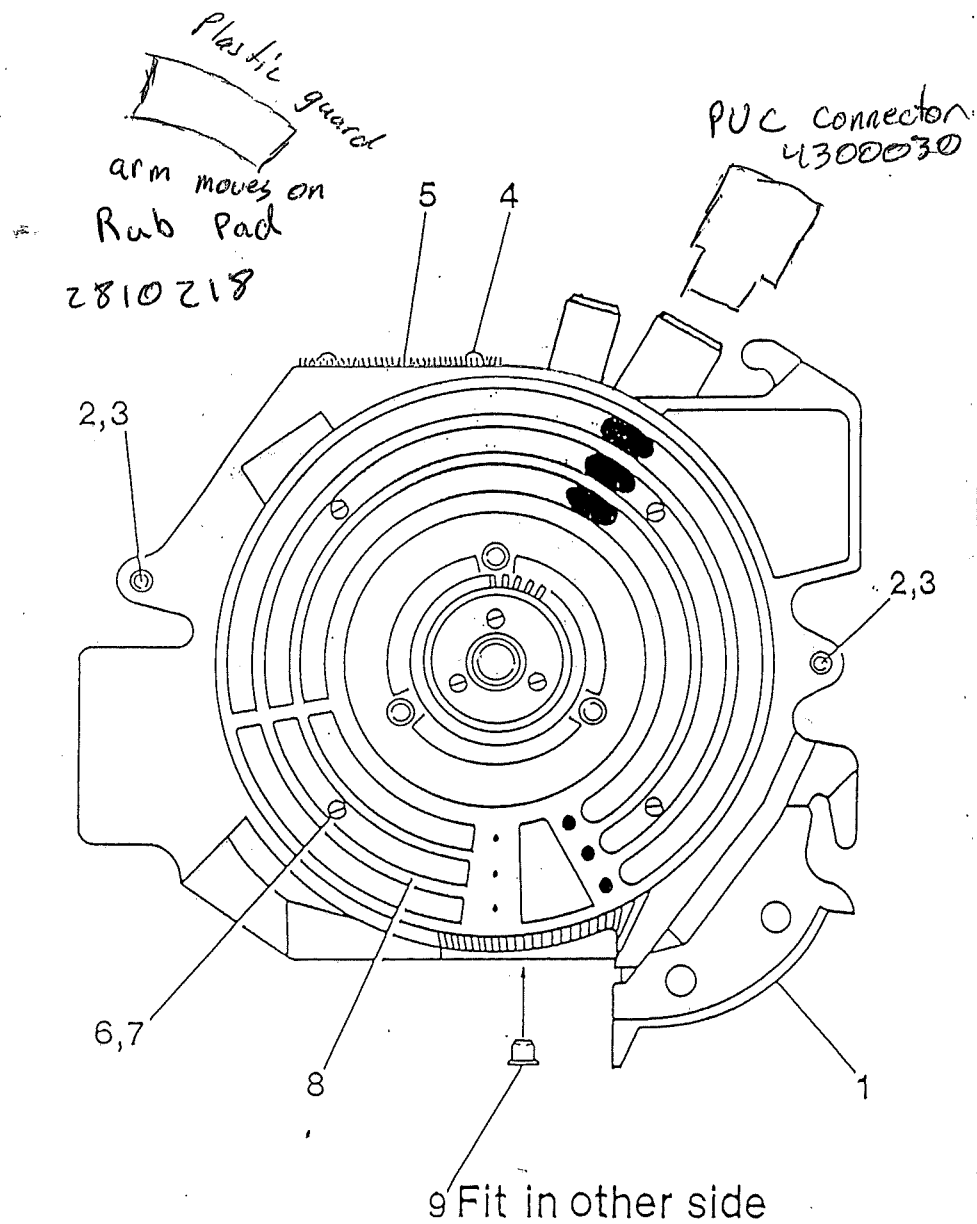


Style 2



Style 1



Singulaire 785

Metering Unit - Drive Side

Item No:	Part No:	Description:
1	7703248	Body - Drive Side
2	2309053	M8 x 50 Hexagon Head Screw
3	6902514	Unit Conical Nut
4	2357002	M3 x 6 Taptite Pozidriv Pan Head Screw
5	7702898	Singulator Brush - Drive Side
6	2332105	M5 x 16 Slotted Cheese Head Screw
7	2309090	M5 Nyloc Hexagon Nut <i>2303090</i>
*8	2810205 <i>281024</i>	Air Gallery Block
*8A	2810224	Red Air Gallery Block
**9	6402038	Plastic Plug

6902805 - shim for behind gallery

* Air Gallery Blocks:- when used to replace white air gallery blocks in metering units without felt seals :- To prevent leakage of small seeds (eg raw tomato, lettuce, carrots) it may be necessary to fit a steel shim (part number 6902805) between body and air gallery block

BODY/TURNTABLE/KNEE JOINT ASSEMBLY - STYLE 2

10	7702829	Turntable c/w items 11, 23
11	6409339	10 x 20 Dowel
12	2375022 <i>2357022</i>	M5 x 10 Taptite Pozidriv Pan Head Screw
13	2311132	M5 Flat Washer - Large Diameter
14	1502001	45T Crownwheel
15	6409402	Support Washer
16	1909029	Ball Bearing
17	2217215	Circlip
18	6409401	Support Shim (2 per unit) =
19	7403153	24T Unit Sprocket
20	6902757	Unit Tab Washer
21	2377084	M8 x 35 Socket Button Head Screw
22	2303007	M8 Hexagon Nut
23	2215253	4 x 20 Tension Pin
24	6902858	Knee Joint Arm

*7702879 - turntable comp. w/
crown wheel*

BODY/TURNTABLE/KNEE JOINT ASSEMBLY - STYLE 1

10	7702829	Turntable c/w items 11, 23
----	---------	----------------------------